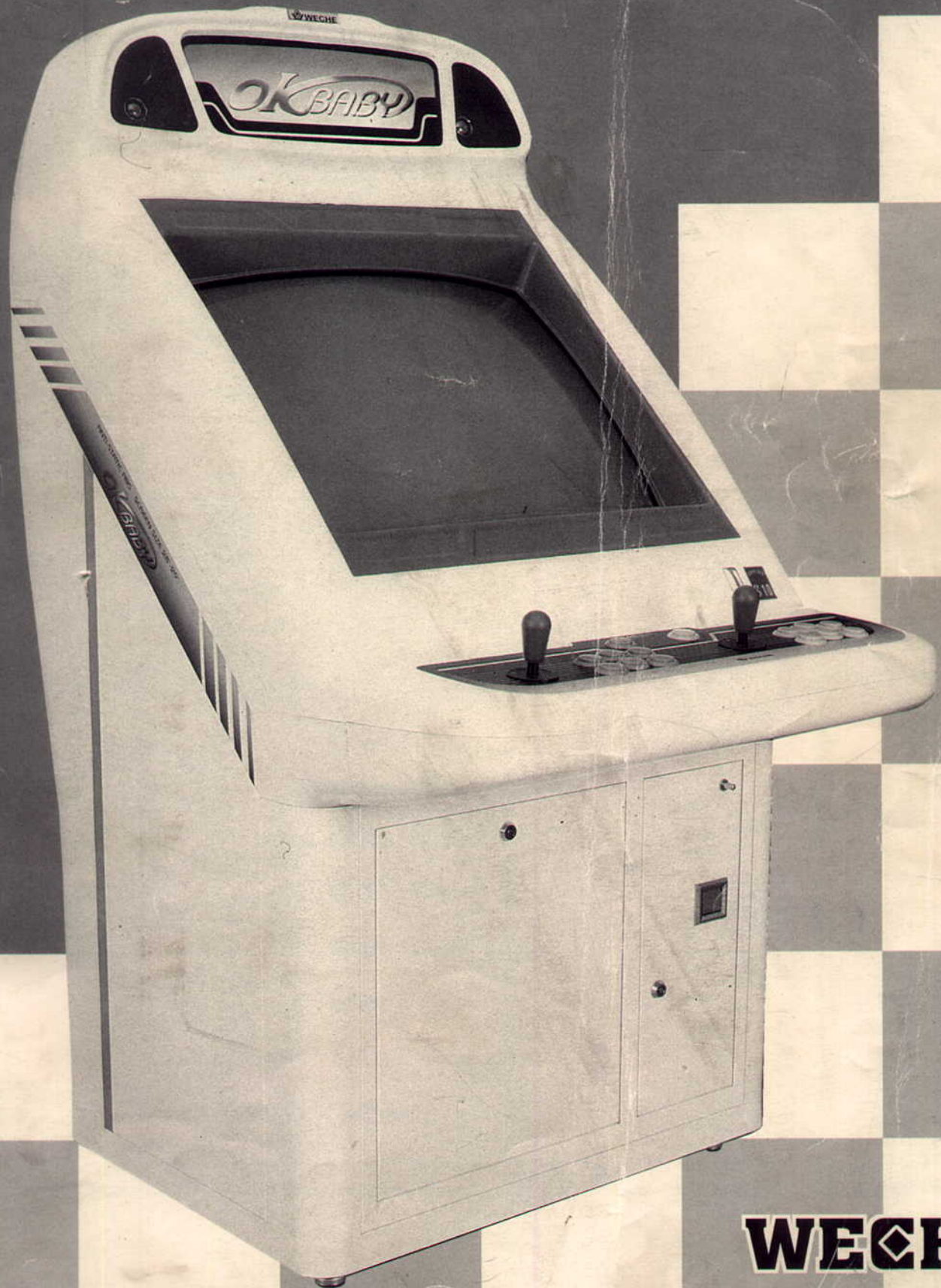


OKBABY

新登場 New Product Announcement.

國內外專利 Patents in Taiwan and overseas.



WEICHE

1. Attachment.....	1
2. Model.....	2
3. Caution.....	3
4. Ground Wire Assembly.....	4
5. Control Panel Wire Assembly.....	5
6. PCB Connector Wire Assembly.....	6
7. Assembly Drawing.....	7
8. Parts List.....	15

Attachment

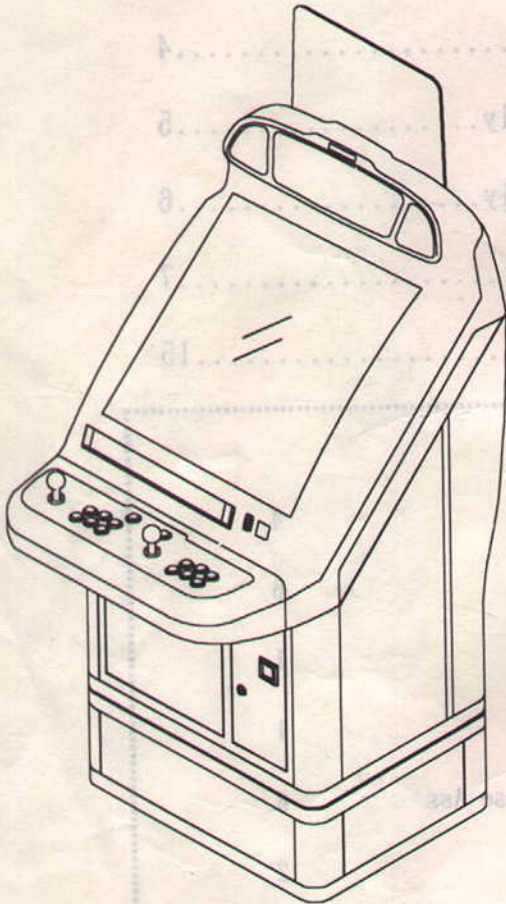
1. Button	4
2. Button cap	6
3. Fuse 3A	1
4. Fuse 5A	1
5. Upright Conversion Base Ass	8
6. M5 Screw	2
7. M4 Screw	2
8. M4*12L (Screw)	2
9. M3*20L (Screw)	4
10. M6*12L (Washer nut)	4
11. Washer M6*18L	4
12. M4*12L (Washer nut)	2
13. Ashtray	1

OKBABY

MODEL

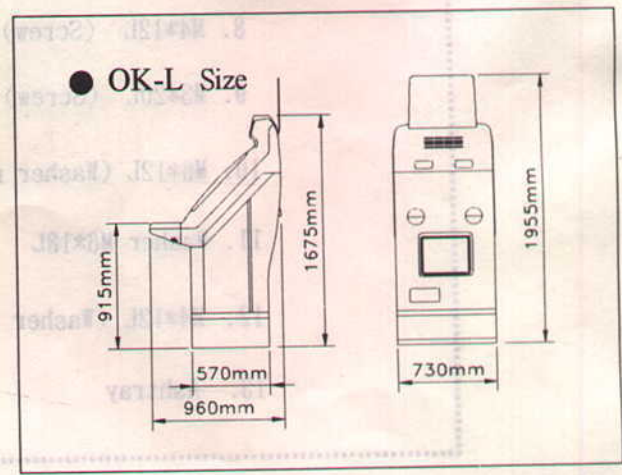
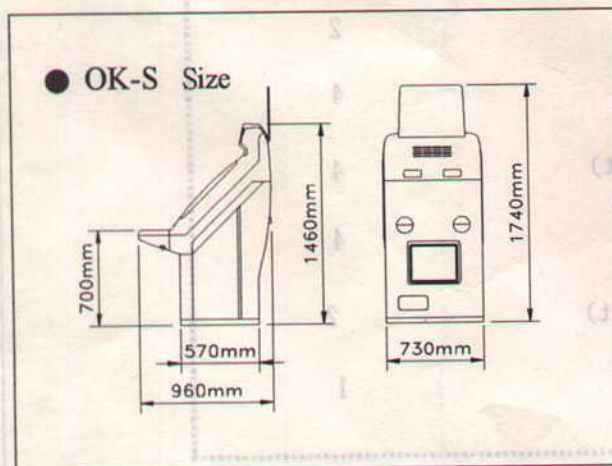
OK-S OK-L

OKBaby Cabinet+Upright Base



Model	OK-S
Power	110V . 220V
Monitor	28" . 29"
Weight	100kg
Coin	ticket, coin

Model	OK-L
Power	110V . 220V
Monitor	28" . 29"
Weight	110kg
Coin	ticket, coin



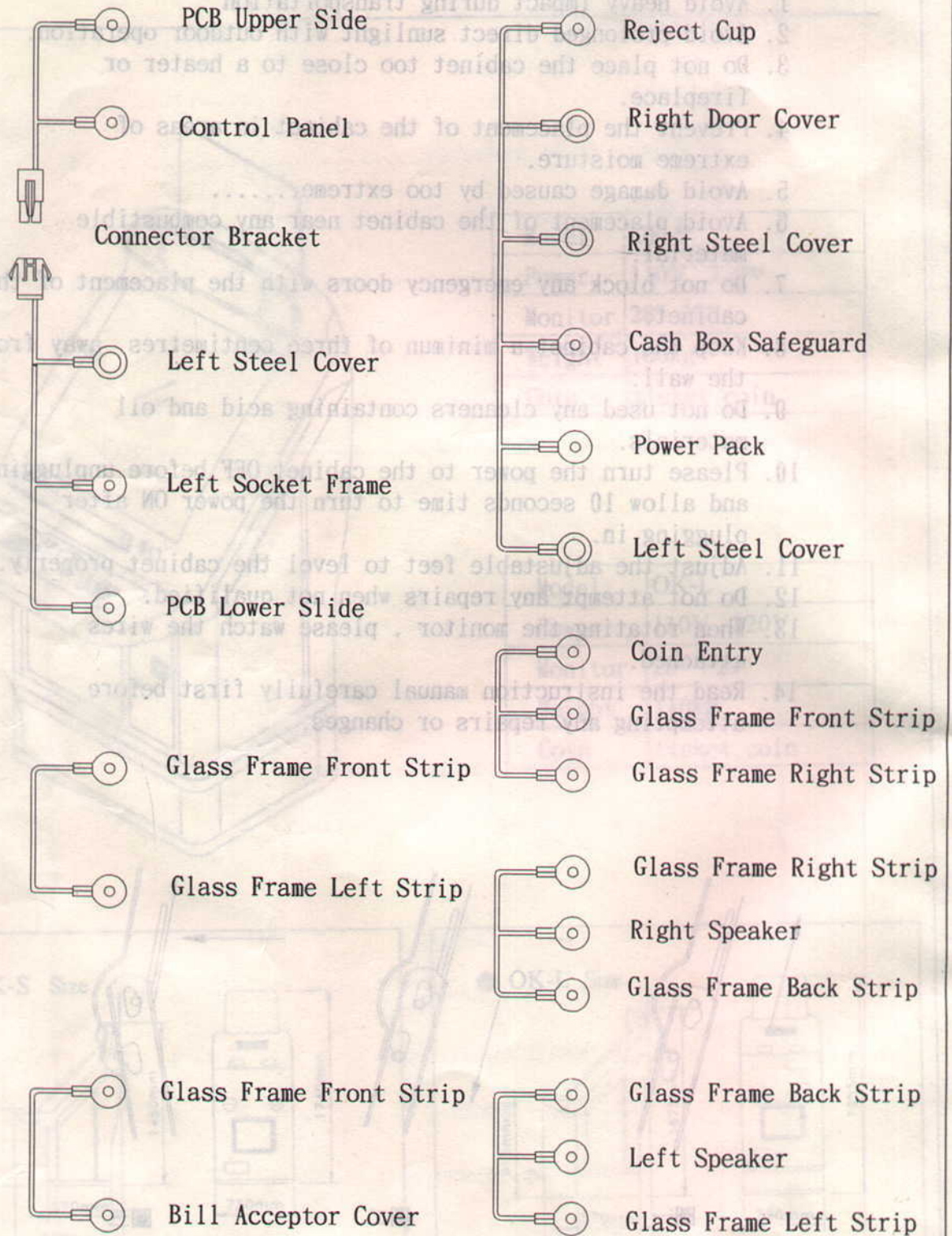
OKBABY

MODEL

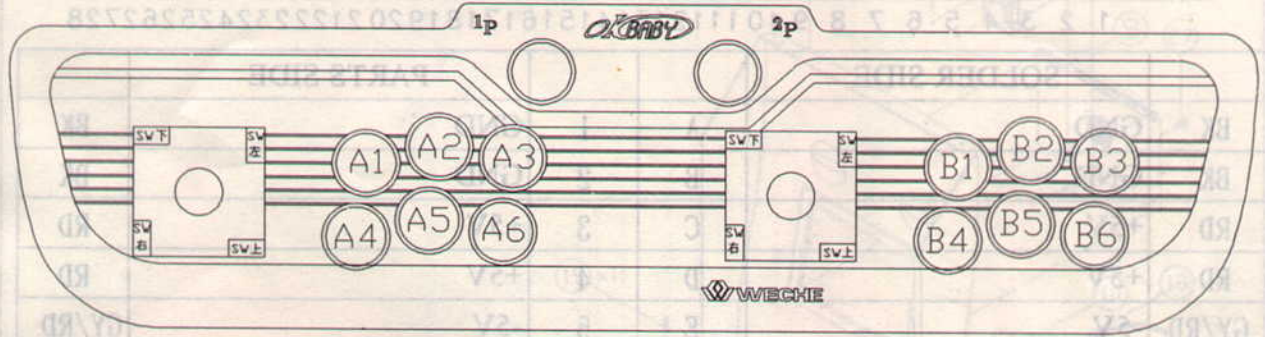
OK-S

OK-L

GROUND WIRE ASSEMBLY



CONTROL PANEL LAYOUT



1P HOUSING (RED)

1	2	3	4
COM	1P	A1	A2
5	6	7	8
A3	A4	A5	A6
9	10	11	12
A-1	A-2	A-3	A-4

2P HOUSING (WHITE)

1	2	3	4
COM	2P	B1	B2
5	6	7	8
B3	B4	B5	B6
9	10	11	12
B-1	B-2	B-3	B-4

- Pin 1 (BK/WE)=Button Joystick COM
- Pin 2 (BN/WE)=1 PLAY SW
- Pin 3 (RD/WE)=A1 SW
- Pin 4 (OE/BK)=A2 SW
- Pin 5 (YW/BK)=A3 SW
- Pin 6 (GN/BK)=A4 SW
- Pin 7 (BE/WE)=A5 SW
- Pin 8 NOT USED
- Pin 9 (GY/BK)=A-1 SW UP
- Pin 10(WE/BK)=A-2 SW DOWN
- Pin 11(PH/BK)=A-3 SW LEFT
- Pin 12(GN/YW)=A-4 SW RIGHT

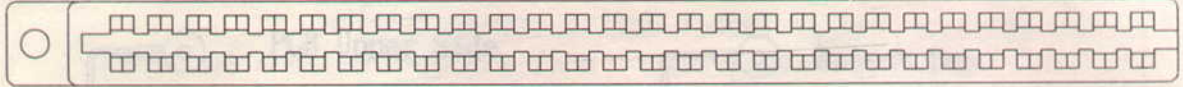
- Pin 1 (BK)=Button Joystick COM
- Pin 2 (BN)=2 PLAY SW
- Pin 3 (RD)=B1 SW
- Pin 4 (OE)=B2 SW
- Pin 5 (YW)=B3 SW
- Pin 6 (GN)=B4 SW
- Pin 7 (BE)=B5 SW
- Pin 8 NOT USED
- Pin 9 (GY)=B-1 SW UP
- Pin 10(WE)=B-2 SW DOWN
- Pin 11(PH)=B-3 SW LEFT
- Pin 12(GN/YW)=B-4 SW RIGHT

BK=Black YW=Yellow
 BN=Brown BE=Blue
 OE=Orange PH=Pink

WE=White GN=Green
 RD=Red GY=Grey
 PE=Purple

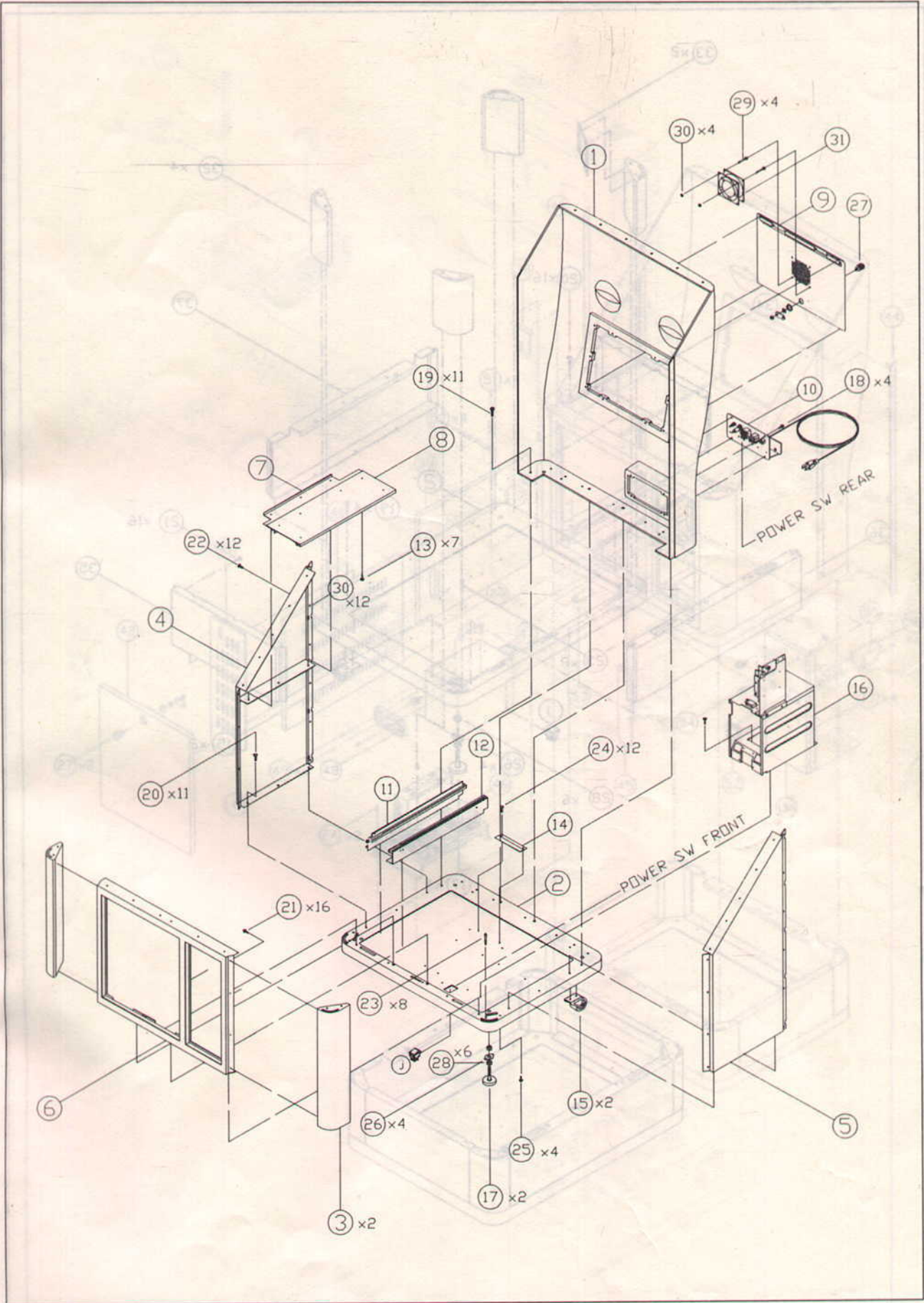
PCB CONNECTOR WIRE ASSEMBLY

A B C D E F H J K L M N P R S T U V W X Y Z a b c d e f

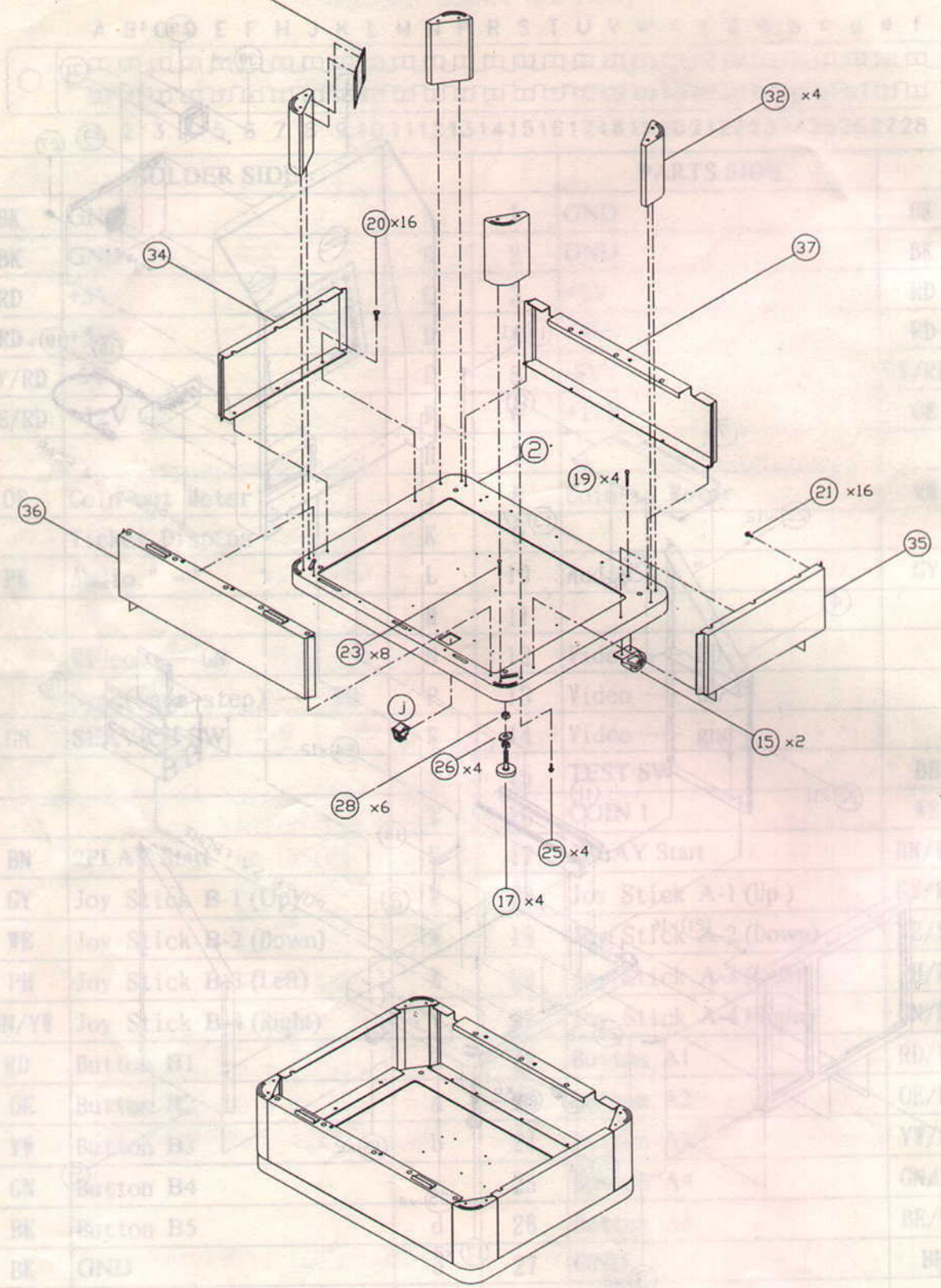


1 2 3 4 5 6 7 8 9 10 11 12 13 14 15 16 17 18 19 20 21 22 23 24 25 26 27 28

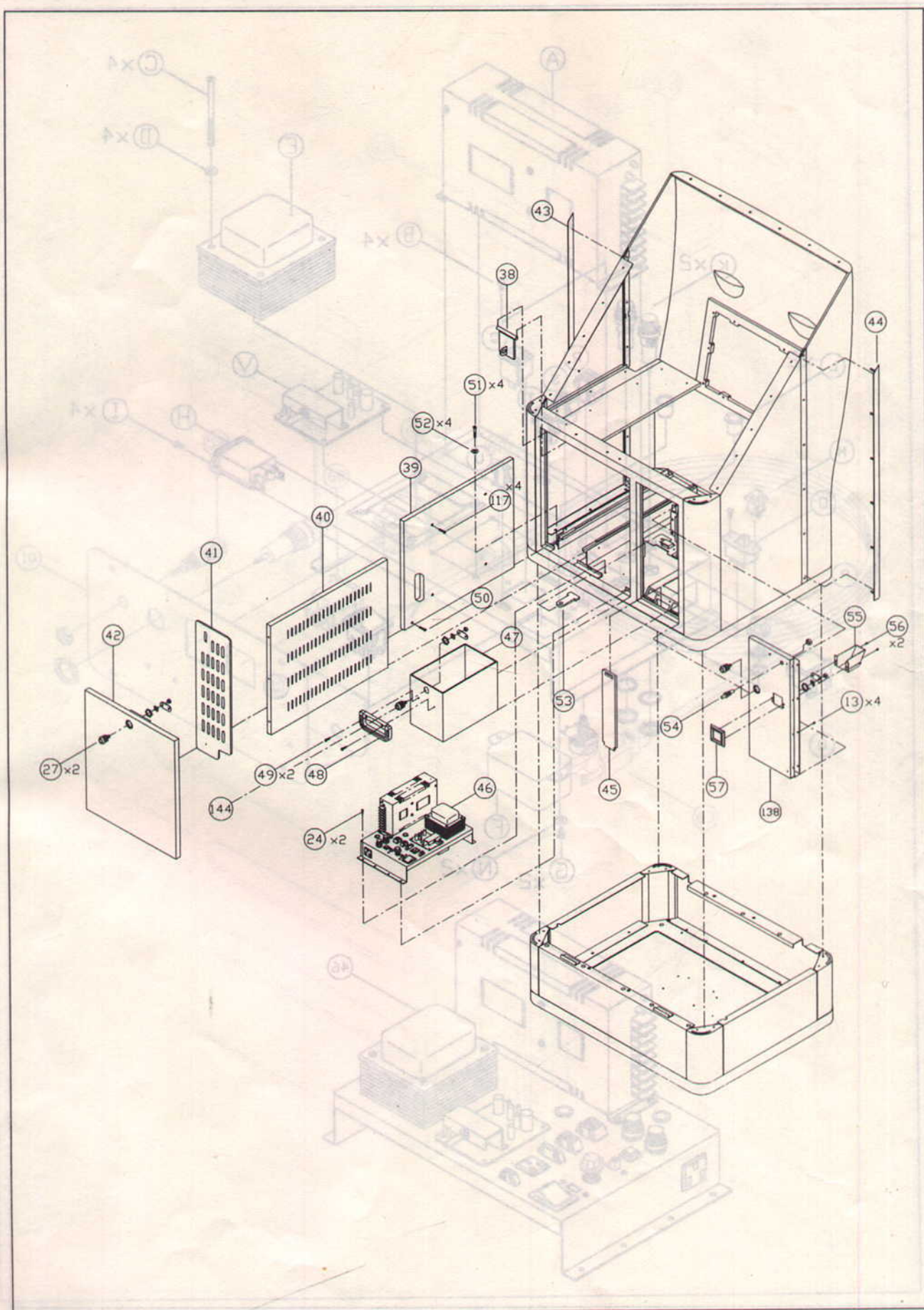
SOLDER SIDE				PARTS SIDE	
BK	GND	A	1	GND	BK
BK	GND	B	2	GND	BK
RD	+5V	C	3	+5V	RD
RD	+5V	D	4	+5V	RD
GY/RD	-5V	E	5	-5V	GY/RD
OE/RD	+12V	F	6	+12V	OE
		H	7		
OE	Coin-out Meter	J	8	Coin-in Meter	YW
	Ticket Dispens	K	9		
PE	Audio " - "	L	10	Audio " + "	GY
		M	11		
	Video --- GN	N	12	Video --- RD	
	Sync(same step) --- WH	P	13	Video --- BL	
GN	SERVICE SW	R	14	Video --- gnd	
		S	15	TEST SW	BE
		T	16	COIN 1	WE
BN	2PLAY Start	U	17	1PLAY Start	BN/WE
GY	Joy Stick B-1 (Up)	V	18	Joy Stick A-1 (Up)	GY/BK
WE	Joy Stick B-2 (Down)	W	19	Joy Stick A-2 (Down)	WE/BK
PH	Joy Stick B-3 (Left)	X	20	Joy Stick A-3 (Left)	PH/BK
GN/YW	Joy Stick B-4 (Right)	Y	21	Joy Stick A-4 (Right)	GN/BK
RD	Button B1	Z	22	Button A1	RD/WE
OE	Button B2	a	23	Button A2	OE/BK
YW	Button B3	b	24	Button A3	YW/BK
GN	Button B4	c	25	Button A4	GN/YW
BE	Button B5	d	26	Button A5	BE/WE
BK	GND	e	27	GND	BK
BK	GND	f	28	GND	BK

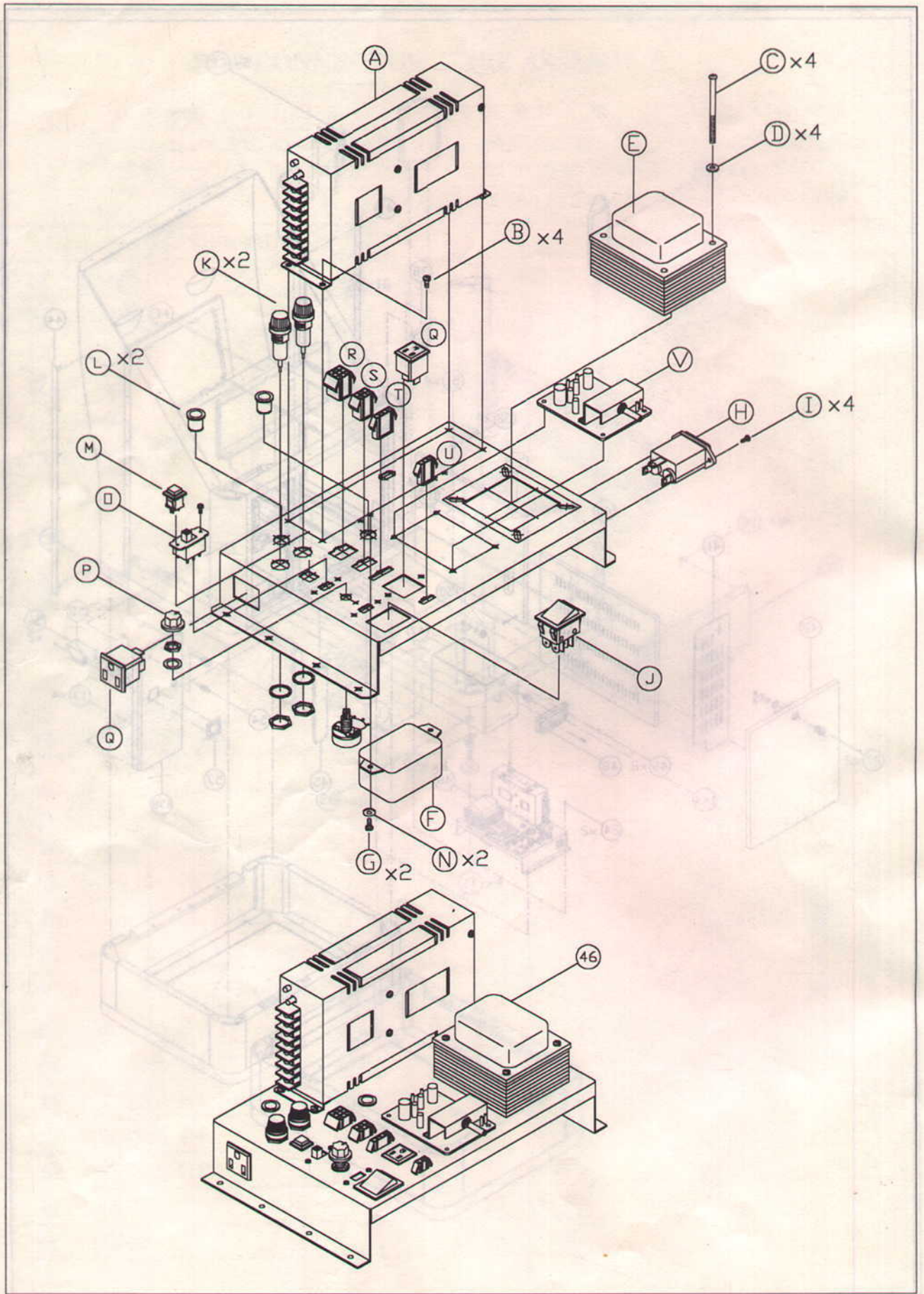


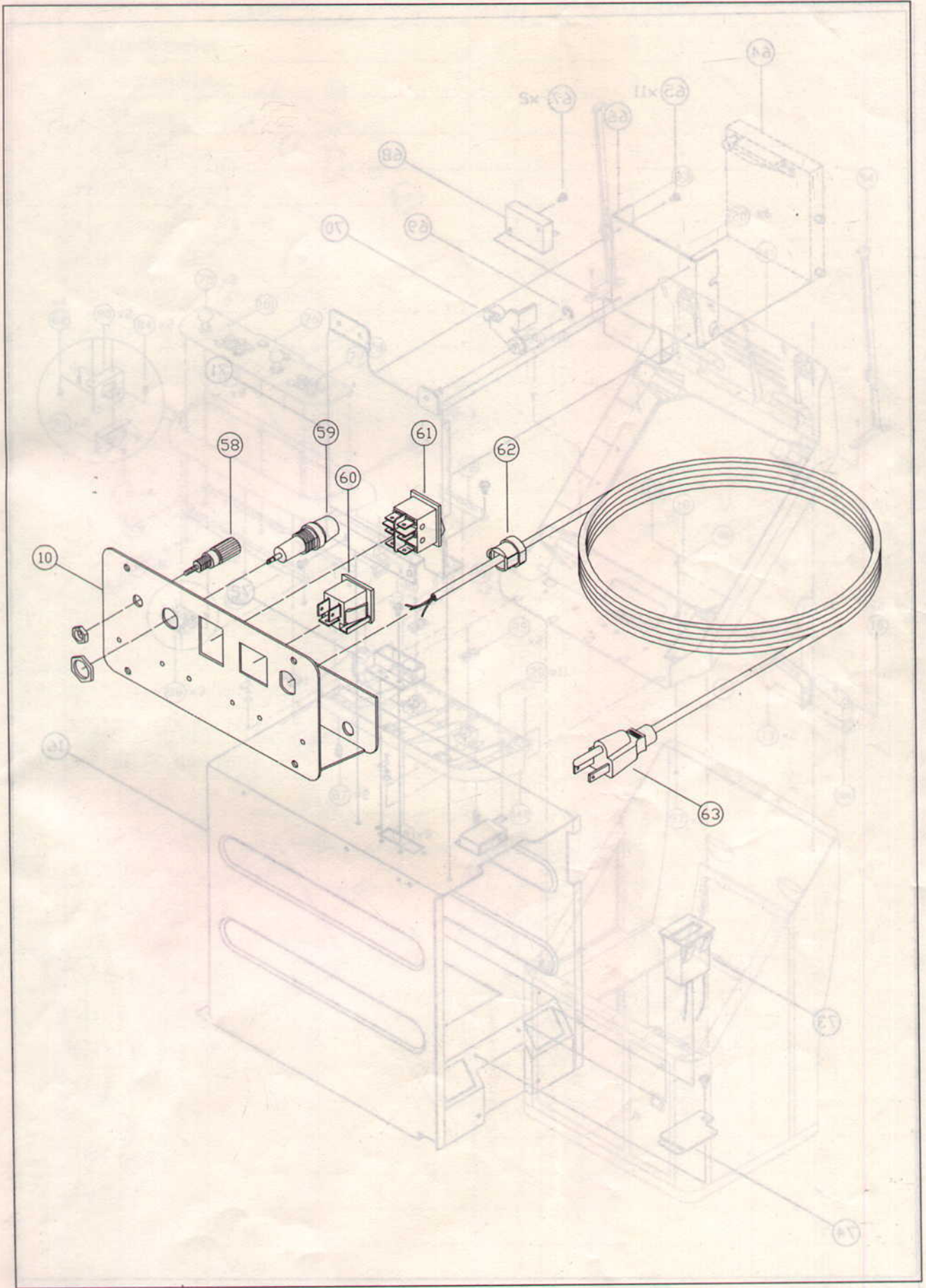
CONNECTOR WIRE ASSEMBLY

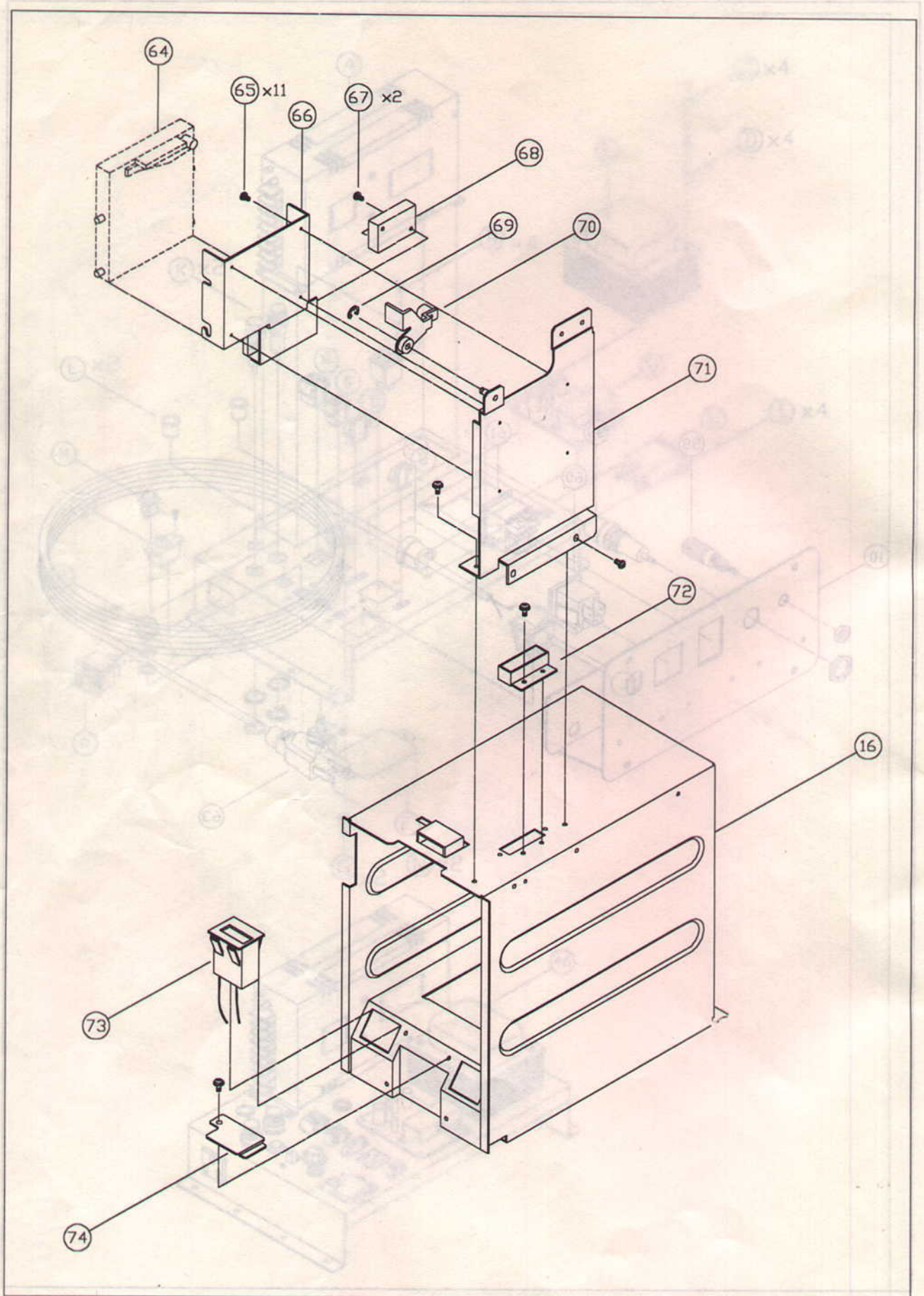


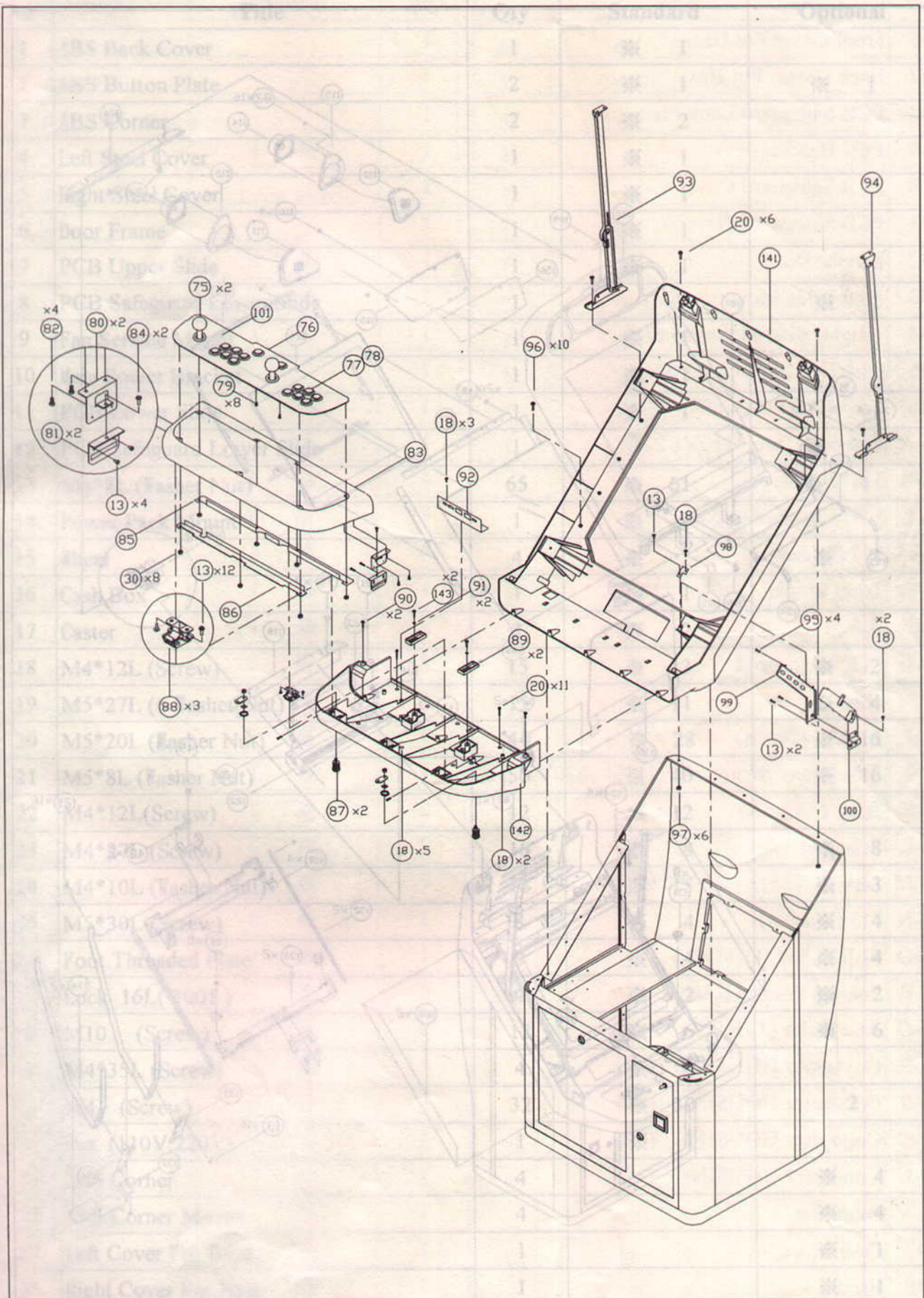
BK	GND	RD	Button B1	RD	Button B1
BK	GND	RD	Button B2	RD	Button B2
RD	Button B3	RD	Button B3	RD	Button B3
RD	Button B4	RD	Button B4	RD	Button B4
RD	Button B5	RD	Button B5	RD	Button B5
RD	GND	RD	GND	RD	GND
RD	GND	RD	GND	RD	GND

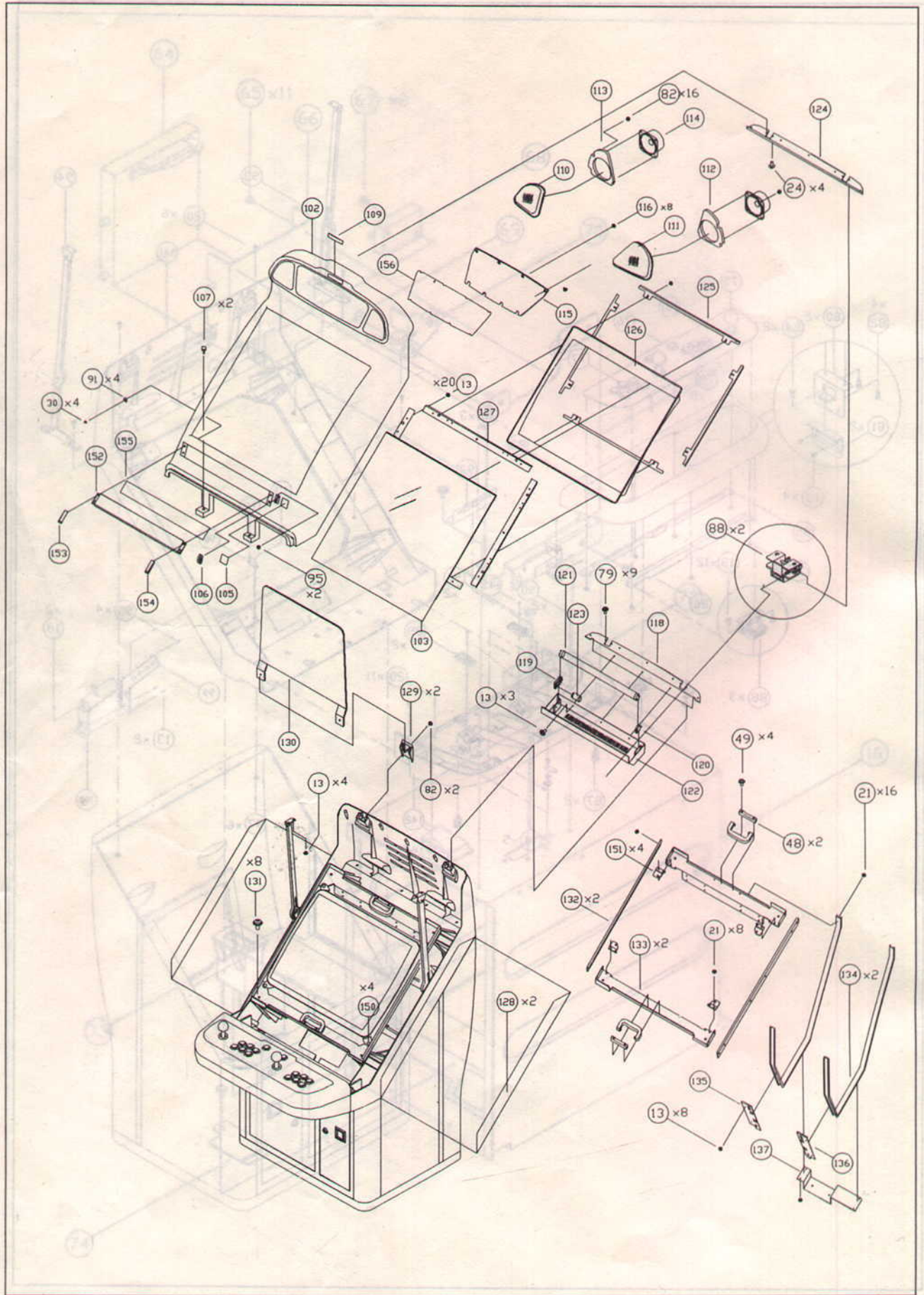












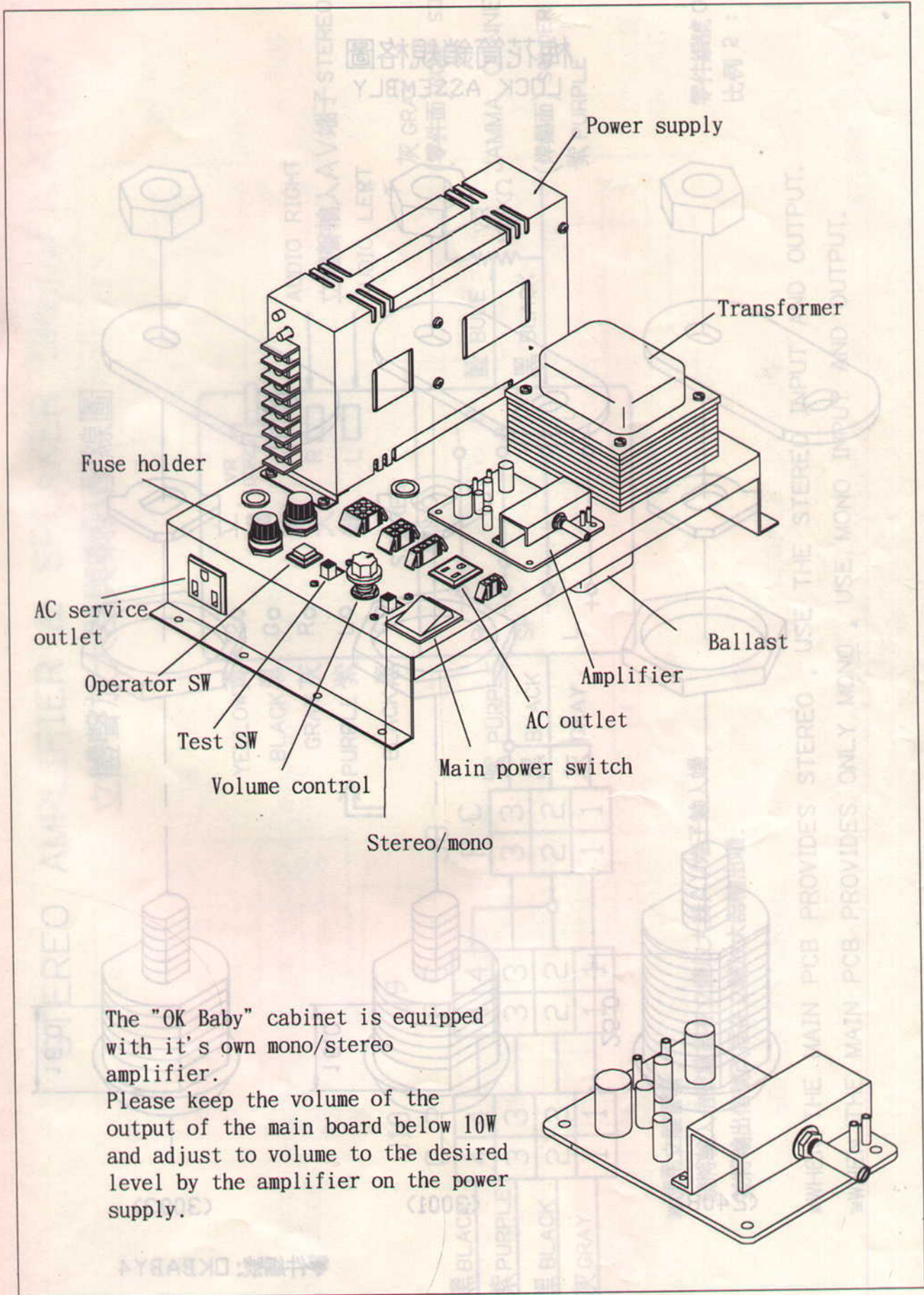
No	Title	Qty	Standard	Optional
1	ABS Back Cover	1	※ 1	
2	ABS Button Plate	2	※ 1	※ 1
3	ABS Corner	2	※ 2	
4	Left Steel Cover	1	※ 1	
5	Right Steel Cover	1	※ 1	
6	Door Frame	1	※ 1	
7	PCB Upper Slide	1	※ 1	
8	PCB Safeguard Lower Slide	1	※ 1	
9	Fan Service Mount	1	※ 1	
10	Main Power Bracket	1	※ 1	
11	PCB Lower Slide	1	※ 1	
12	PCB Safeguard Lower Slide	1	※ 1	
13	M4*8L (Washer Nut)	65	※ 61	※ 4
14	Power Pack Mount	1	※ 1	
15	Wheel	4	※ 2	※ 2
16	Cash Box	1	※ 1	
17	Caster	2	※ 2	
18	M4*12L (Screw)	15	※ 13	※ 2
19	M5*27L (6-Washer Nut)	15	※ 11	※ 4
20	M5*20L (Washer Nut)	44	※ 28	※ 16
21	M5*8L (Washer Nut)	56	※ 40	※ 16
22	M4*12L(Screw)	12	※ 12	
23	M4*27L (Screw)	16	※ 8	※ 8
24	M4*10L (Washer Nut)	18	※ 15	※ 3
25	M5*30L (Screw)	8	※ 4	※ 4
26	Foot Threaded Plate	8	※ 4	※ 4
27	Lock 16L(3001)	4	※ 2	※ 2
28	M10 (Screw)	12	※ 6	※ 6
29	M4*35L (Screw)	4	※ 4	
30	M4 (Screw)	32	※ 30	※ 2
31	Fan (110V.220V)	1	※ 1	
32	ABS Corner	4		※ 4
33	ABS Corner Mount	4		※ 4
34	Left Cover For Base	1		※ 1
35	Right Cover For Base	1		※ 1

NO	Title	Qty	Included	Options
36	Front Cover For Base	1		※ 1
37	Back Cover For Base	1		※ 1
38	PCB Safeguard Lock Plate	1		※ 1
39	PCB Bracket	1	※ 1	
40	PCB Safeguard Cover	1		※ 1
41	PCB Safeguard Plate	1		※ 1
42	Service Door	1	※ 1	
43	(Left)Side Mounting Strip	1	※ 1	
44	(Right) Side Mounting Strip	1	※ 1	
45	Cash Box Safeguard Plate	1		※ 1
46	Power Pack Assembly	1	※ 1	
46-A	Power Supply (110V . 220V)	1	※ 1	
46-B	M4*8L (Screw)	4	※ 4	
46-C	M4*50L (Washer Nut)	4	※ 4	
46-D	M4 (Washer)	4	※ 4	
46-E	Trans former (110V . 220V)	1	※ 1	
46-F	Ballast	1	※ 1	
46-G	M3*8L (Screw)	2	※ 2	
46-H	Filter	1	※ 1	
46-I	M3*6L (Screw)	4	※ 4	
46-J	Main Power Switch 4P (110V . 220V)	1	※ 1	
46-K	Fuse (3A . 5A)	2	※ 2	
46-L	Grommet	2	※ 2	
46-M	Service Switch (ON/OFF)	1	※ 1	
46-N	M3 (Washer)	2	※ 2	
46-O	SLIDE SW (ON/OFF)	1	※ 1	
46-P	Volume Control Knob	1	※ 1	
46-Q	Aux outlet (3 Hole)	2	※ 2	
46-R	Connector HOUSING (9P)	1	※ 1	
46-S	Connector HOUSING (6P)	1	※ 1	
46-T	Connector HOUSING (4P)	1	※ 1	
46-U	Connector HOUSING (3P)	1	※ 1	
46-V	Amplifier	1	※ 1	
47	Cash Box	1	※ 1	
48	Handle	3	※ 3	

No	Title	Qty	Included	Options
49	M4*12L (Screw)	6	※ 6	
50	M4*25L (Screw)	1	※ 1	
51	M8*60L (Washer Nut)	4		※ 4
52	M8 (Washer)	4		※ 4
53	Cash Box Safeguard Lock Plate	1		※ 1
54	Reject Pin	1	※ 1	
55	Reject Cup	1	※ 1	
56	M3*6L (Washer Nut)	2	※ 2	
57	Reject Cup Cover	1	※ 1	
58	GND Conn Plug	1	※ 1	
59	Fuse Holder (3A)	1	※ 1	
60	Aux Outlet (3 Hole)	1	※ 1	
61	Main Power Switch 4P (110V.220V)	1	※ 1	
62	Grommet SR-6R1	1	※ 1	
63	Power Cord (3 Hole)	1	※ 1	
64	Coin Mech	1		※ 1
65	M4*6L (Washer Nut)	11	※ 11	
66	Coin Mech Bracket	1	※ 1	
67	M3*20L (Flat Head Screw)	2	※ 2	
68	Micro Switch	1	※ 1	
69	E Clip(3mm)	1	※ 1	
70	Reject Lever	1	※ 1	
71	Coin Mech Bracket Mount Plate	1	※ 1	
72	Cash Box Enclosure Entry	1	※ 1	
73	Counter	1	※ 1	
74	Counter Cover	1	※ 1	
75	Joy Stick	2	※ 2	
76	Control Panel (3 . 4 . 6. Hole)	1	※ 1	
77	Button		※	
78	Button Cap		※	
79	M4*12L (Washer Nut)	26	※ 24	2
80	Lock Plate Mount	2	※ 2	
81	Lock Plate	2	※ 2	
82	M4*15L (Screw)	22	※ 22	
83	Control Panel Frame	1	※ 1	

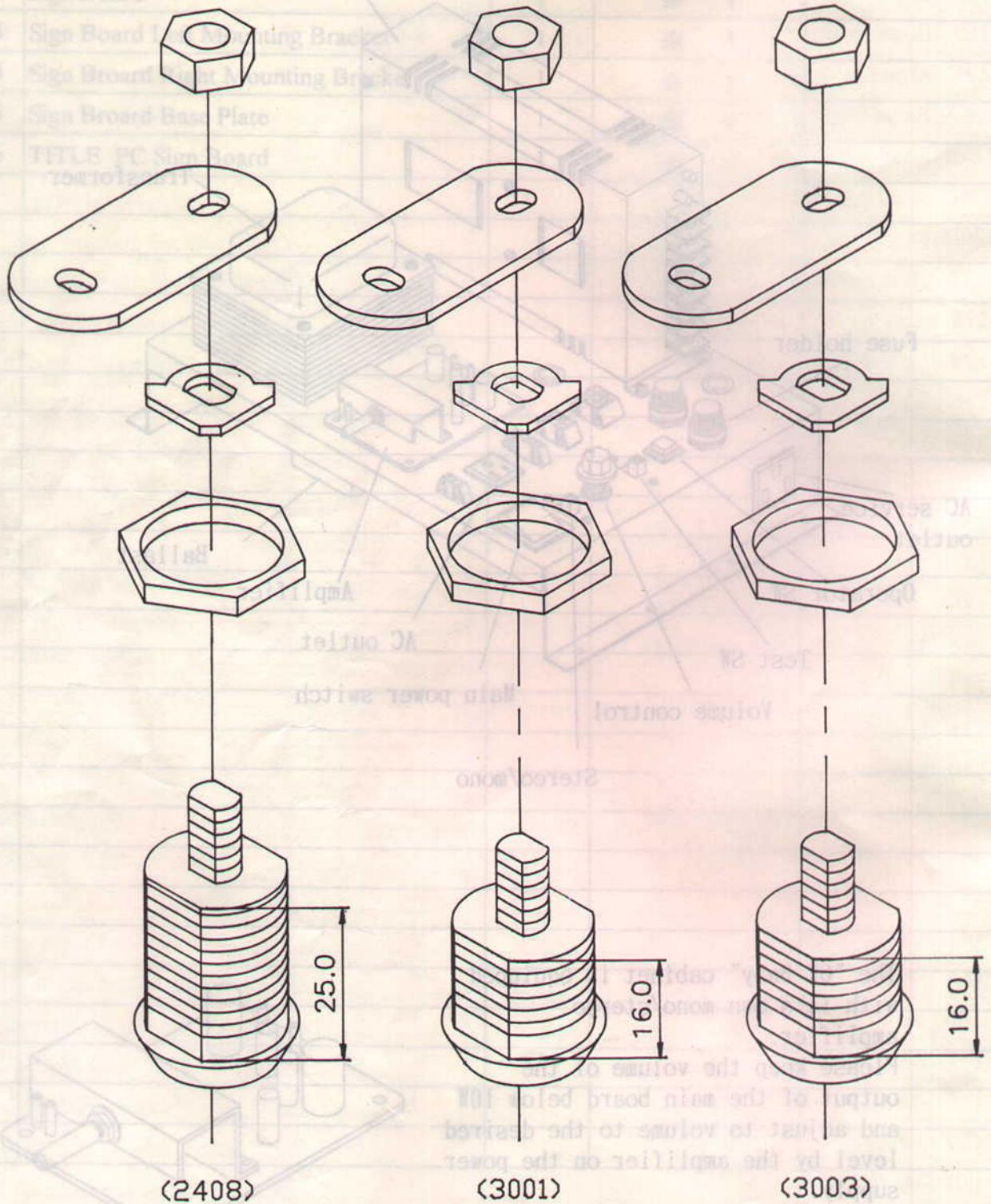
No	Title	Qty	Included	Options
84	M4*20L (Screw)	2	※ 2	
85	Control Panel Support (Front)	1	※ 1	
86	Control Panel Support (Rear)	1	※ 1	
87	Lock 25L (2804)	2	※ 2	
88	Hinge	5	※ 5	
89	Lock Clip	2	※ 2	
90	M5*30L (Screw)	2	※ 2	
91	M4 (Washer)	6	※ 6	
92	Connector Bracket	1	※ 1	
93	Top Support Bracket(Left)	1	※ 1	
94	Top Support Bracket(Right)	1	※ 1	
95	M3*8L (Washer Nut)	6	※ 6	
96	M5*25L (Washer Nut)	10	※ 10	
97	M5 (Screw Nut)	8	※ 6	2
98	Adjustable Slide Plate	1	※ 1	
99	Slide Upper Plate	1	※ 1	
100	Slide Lower Plate	1	※ 1	
101	Control Panel Sticker	1	※ 1	
102	ABS Top Cover	1	※ 1	
103	Monitor Glass	1	※ 1	
105	Coin Entry Sticker	1	※ 1	
106	Coin Entry	1	※ 1	
107	M5*10L (Washer Nut)	2	※ 2	
109	Title Sticker	1	※ 1	
110	Speaker Grill (Left)	1	※ 1	
111	Speaker Grill (Right)	1	※ 1	
112	Speaker Frame(Lfet)	1	※ 1	
113	Speaker Frame(Right)	1	※ 1	
114	Speaker(8 om 25W)	2	※ 2	
115	Acrylic Logo Sign	1	※ 1	
116	M4*10L (Screw)	8	※ 8	
117	M3*20L(Washer Nut)	4		4
118	Top Cover Hinge Support	1	※ 1	
119	Fluorescent Socket With Starter Bracket	1	※ 1	
120	Fluorescent Socket (Right)	1	※ 1	

No	Title	Qty	Included	Options
121	Fluorescent (15W)	1		※ 1
122	Fluorescent Cover	1	※ 1	
123	Fluorescent Starter (FS-1P)	1		※ 1
124	Top Cover Hinge Support	1	※ 1	
125	Bezel Frame Strip	4	※ 4	
126	Monitor Bezel	1	※ 1	
126A	Bezel (thin)28"			
126B	Bezel (thick)28"			
126C	Bezel (thick)29"			
126D	Bezel (thin)29"			
127	Glass Frame Strip	4	※ 4	
128	Side Sticker	2	※ 2	
129	Sign Board Mountingstrip	2	※ 2	
130	Sign Board For Game	1	※ 1	
131	M6*12L (6-Washer Nut)	12	※ 8	4
132	TV Frame-side Strip	2	※ 2	
133	TV Frame (28" . 29")	2	※ 2	
134	Tube Support Bracket	2	※ 2	
135	TV Chassis Bracket (Left)	1	※ 1	
136	TV Chassis Bracket (Right)	1	※ 1	
137	Tube Protection Cover	1	※ 1	
138	Cash Box Door	1	※ 1	
140	M5 Washer	15	※ 15	
141	Monitor Mounting Bracket	1	※ 1	
142	Control Panel base	1	※ 1	
143	M4*20L Screw	1	※ 1	
144	16L(3003) Lock	1	※ 1	
145	Sponge(5*8*528 5*8*403)	4	※ 4	
146	Monitor (28吋 29吋)	1		※ 1
147	Monitor Chassis	1		※ 1
148	Harness (ground wire included)	1		※ 1
149	Ashtray	2		※ 2
150	M6*L18(Washer)	8	※ 4	4
151A	Monitor Bracket (Orion 29")	4		※ 4
151B	Monitor Bracket(Pentranic 29")	4		※ 4



No.	Title	Qty	Included	Options
151C	Monitor Bracket (Pentranic 28"			* 4
151D	Monitor Bracket (Pentranic 28"			* 4
151E	Monitor Bracket (Pentranic 28"			* 4
152	Sign Board			
153	Sign Board Mounting Bracket			
154	Sign Board Mounting Bracket			
155	Sign Board Base Plate			
156	PC Sign Board			

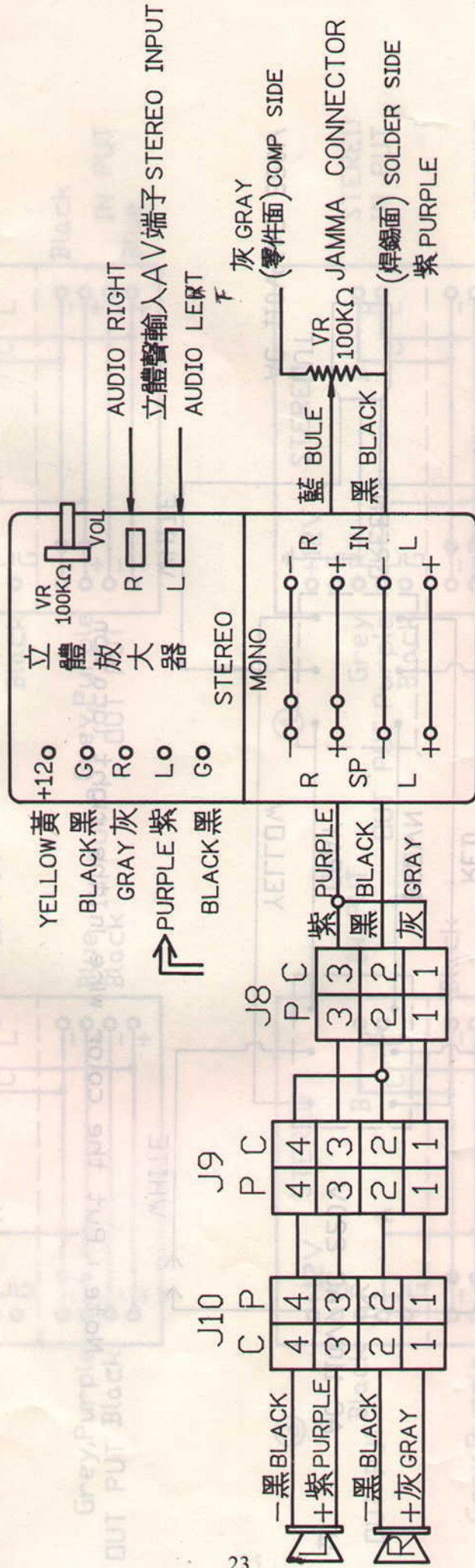
梅花筒鎖規格圖
LOCK ASSEMBLY



零件編號: DKBABY4

STEREO AMPLIFIER & SPEAKER SPECIFICATION

立體聲放大器與喇叭配線圖



零件編號 OKBABY2
比例 2 : 3

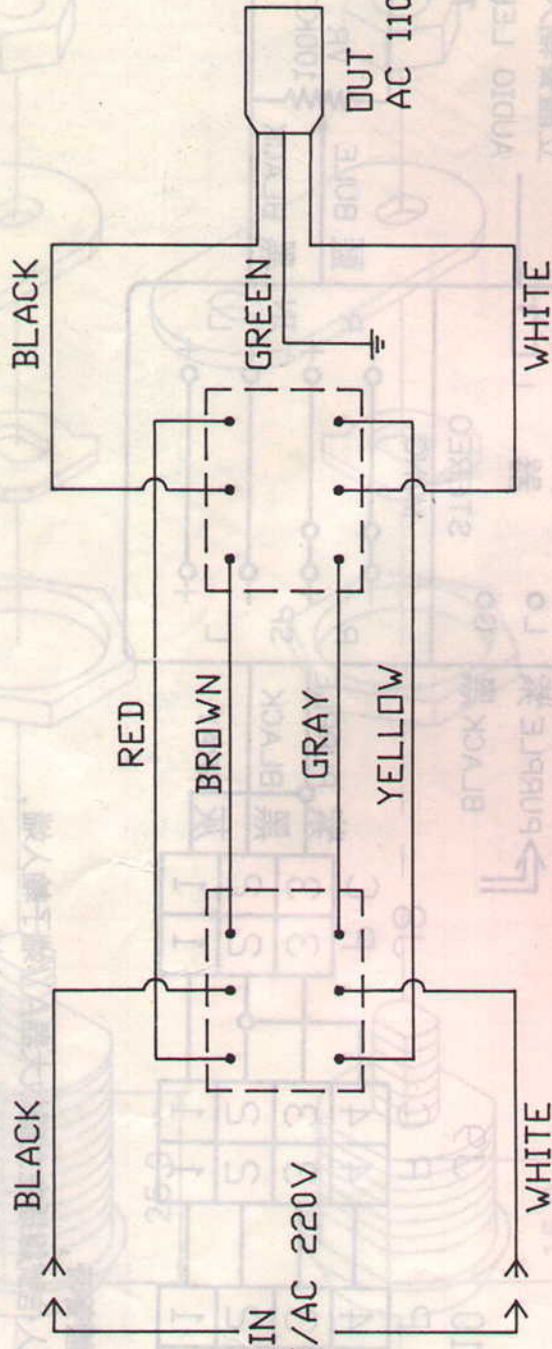
*使用立體聲時，
 請將輸入信號線插在立體聲放大器AV端子輸入端，
 並將輸出信號改插在立體聲放大器輸出端。

*WHEN THE MAIN PCB PROVIDES STEREO , USE THE STEREO INPUT AND OUTPUT.
 *WHEN THE MAIN PCB PROVIDES ONLY MONO , USE MONO INPUT AND OUTPUT.

DOUBLE POWER SW HARNESS DRAWING

POWER SW FRONT

POWER SW REAR



Note : Put the color wire in the right location

零件編號 DKBABY1

比例 1 : 1

比例 5 : 3

零件編號 OKBABY5

零件編號 (背面) SOLDER SIDE

零件編號 CONNECTOR

AC 110V/AC 220V SIDE

VIDEO LEFT

VIDEO STEREO INPUT

VIDEO RIGHT

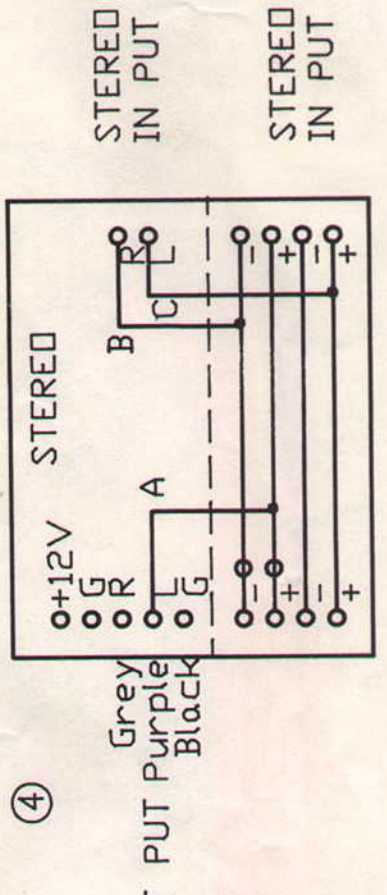
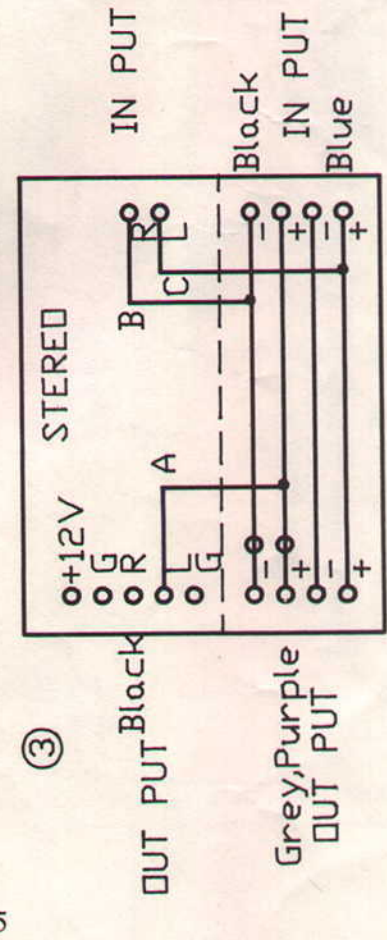
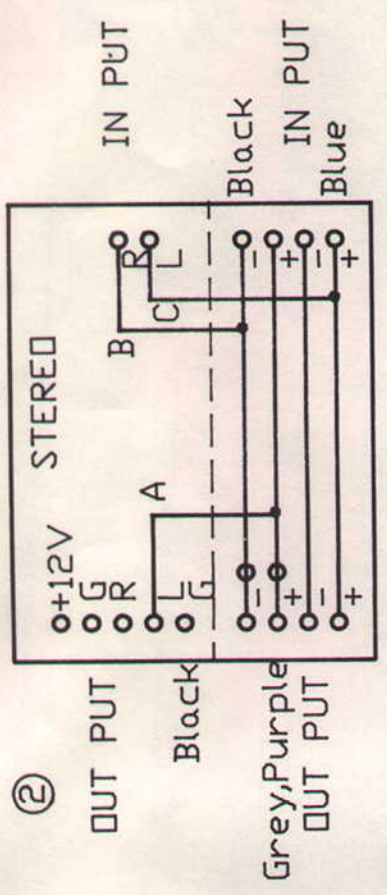
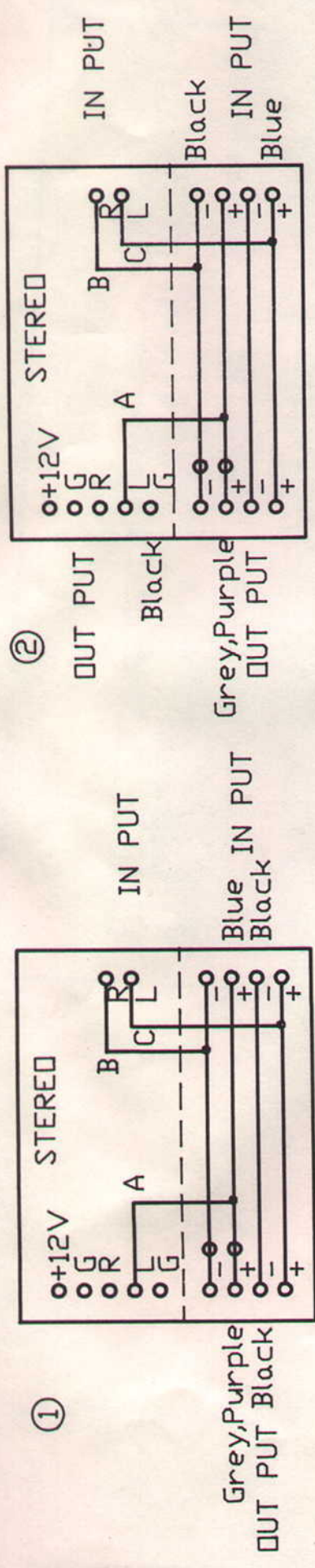
100KΩ

LEFT OM 150

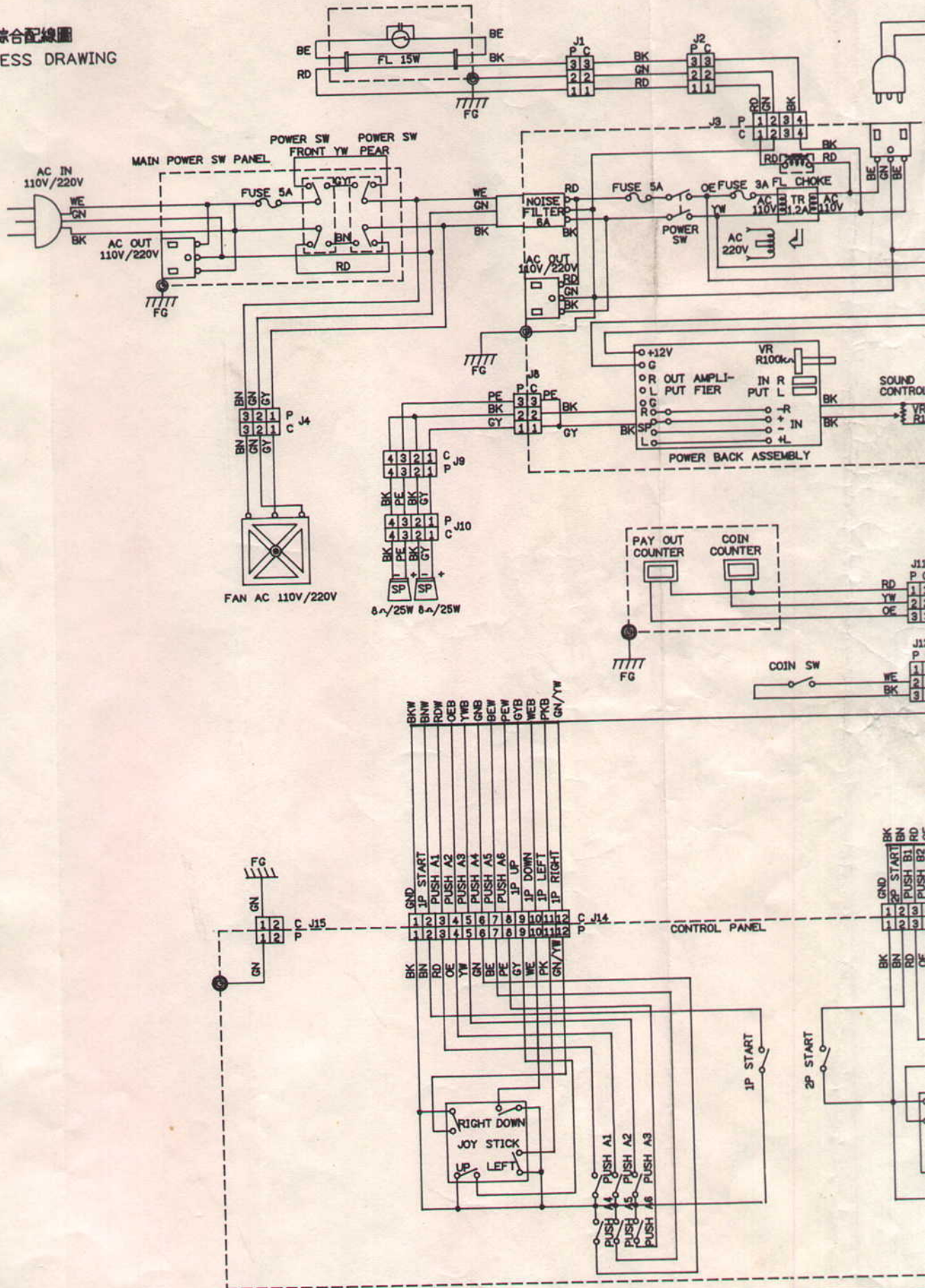
(2002)

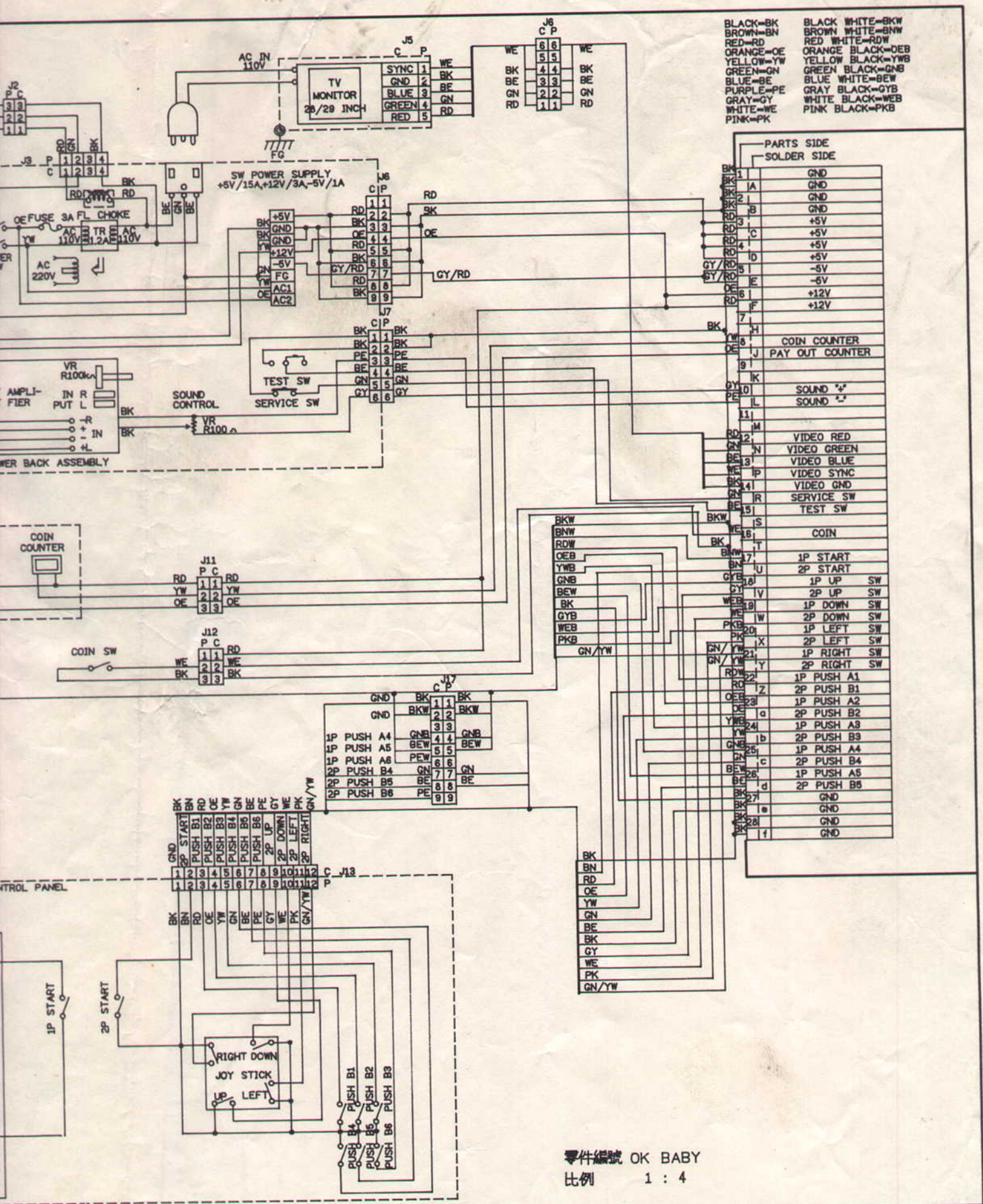


NOTIFICATION



OK BABY 綜合配線圖
TOTAL HARNESS DRAWING





BLACK=BK
 BROWN=BN
 RED=RD
 ORANGE=OE
 YELLOW=YW
 GREEN=GN
 BLUE=BE
 PURPLE=PE
 GRAY=GY
 WHITE=WE
 PINK=PK

 BLACK WHITE=BKW
 BROWN WHITE=BNW
 RED WHITE=RDW
 ORANGE BLACK=OEB
 YELLOW BLACK=YWB
 GREEN BLACK=GNB
 BLUE WHITE=BEW
 GRAY BLACK=GYB
 WHITE BLACK=WEB
 PINK BLACK=PKB

PARTS SIDE
SOLDER SIDE

1	GND
2	GND
3	GND
4	+5V
5	+5V
6	+5V
7	-5V
8	-5V
9	+12V
10	+12V
11	GND
12	GND
13	GND
14	GND
15	GND
16	GND
17	GND
18	GND
19	GND
20	GND
21	GND
22	GND
23	GND
24	GND
25	GND
26	GND
27	GND
28	GND
29	GND
30	GND
31	GND
32	GND
33	GND
34	GND
35	GND
36	GND
37	GND
38	GND
39	GND
40	GND
41	GND
42	GND
43	GND
44	GND
45	GND
46	GND
47	GND
48	GND
49	GND
50	GND
51	GND
52	GND
53	GND
54	GND
55	GND
56	GND
57	GND
58	GND
59	GND
60	GND
61	GND
62	GND
63	GND
64	GND
65	GND
66	GND
67	GND
68	GND
69	GND
70	GND
71	GND
72	GND
73	GND
74	GND
75	GND
76	GND
77	GND
78	GND
79	GND
80	GND
81	GND
82	GND
83	GND
84	GND
85	GND
86	GND
87	GND
88	GND
89	GND
90	GND
91	GND
92	GND
93	GND
94	GND
95	GND
96	GND
97	GND
98	GND
99	GND
100	GND

零件編號 OK BABY
 比例 1 : 4

WE CHE 威崎企業股份有限公司
WEE CHIN ENTERPRISE CO., LTD.

鳳山市汽車工業區輔汽北一路1號
2F., NO.1, TZI CHI PEI 1ST RD., FENG SHAN,
KAOHSIUNG HSIEN, TAIWAN, R.O.C.
TEL: 886-7-7514949 FAX: 886-7-7118737