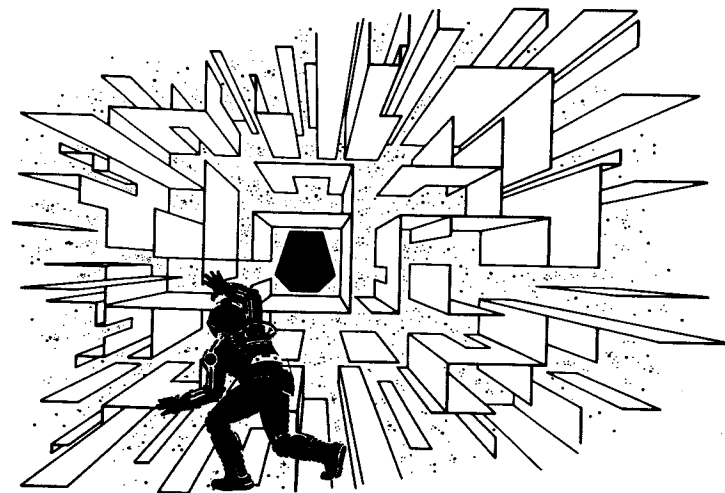


Table of Contents

Table of Contents	Sheet 1A
MAJOR HAVOC Main Wiring Diagram (041335-01 A)	Sheet 1B
MAJOR HAVOC Regulator/Audio II PCB Schematic Diagram (035435-02 H) ..	Sheet 2A
MAJOR HAVOC Color XY Power Supply Wiring Diagram (037394-01 D)	Sheet 2B
MAJOR HAVOC Game Interfaces	Sheet 3A
Coin Door Wiring Diagram (A037542-01 E), Utility Panel Wiring Diagram (A039254-01 C), Fluorescent Light Wiring Diagram (035833-01 A) Coupler PCB Schematic (A035220-02 D)	
MAJOR HAVOC Memory Map—Alpha (α) Microprocessor	Sheet 3B
MAJOR HAVOC Memory Map—Gamma (γ) Microprocessor	Sheet 4A
Game PCB Schematics (041347-01 A), Sheets 4B–10A	
Power Input, Microprocessor Clock, Alpha Clock, Microprocessor Timing Chain, Watchdog and Reset	Sheet 4B
Alpha Input/Output, Power Up Reset, Alpha Microprocessor	Sheet 5A
Program ROM, Program RAM, Decoder	Sheet 5B
Vector Generator Memory, OP Code and Intensity Latches	Sheet 6A
Vector Generator Data Shifters, Vector Generator Address Controller, Vector Generator State Machine	Sheet 6B
Vector Generator Oscillator, Vector Generator Timing Chain, Vector Flag, Center Flag, Halt Flag, Normalization Flag	Sheet 7A
Vector Generator Timer, Binary Scaling	Sheet 7B
Window, Linear Scaling—Bipolar Offset Adjustments	Sheet 8A
Y Output, X Output—X and Y Video Adjustments	Sheet 8B
Sparkle, RGB Output	Sheet 9A
Gamma Microprocessor, Alpha/Gamma Communication Port	Sheet 9B
Gamma Input/Output, Audio	Sheet 10A

NOTE

This staple temporarily holds the schematic package together. Remove the staple before using these schematics.

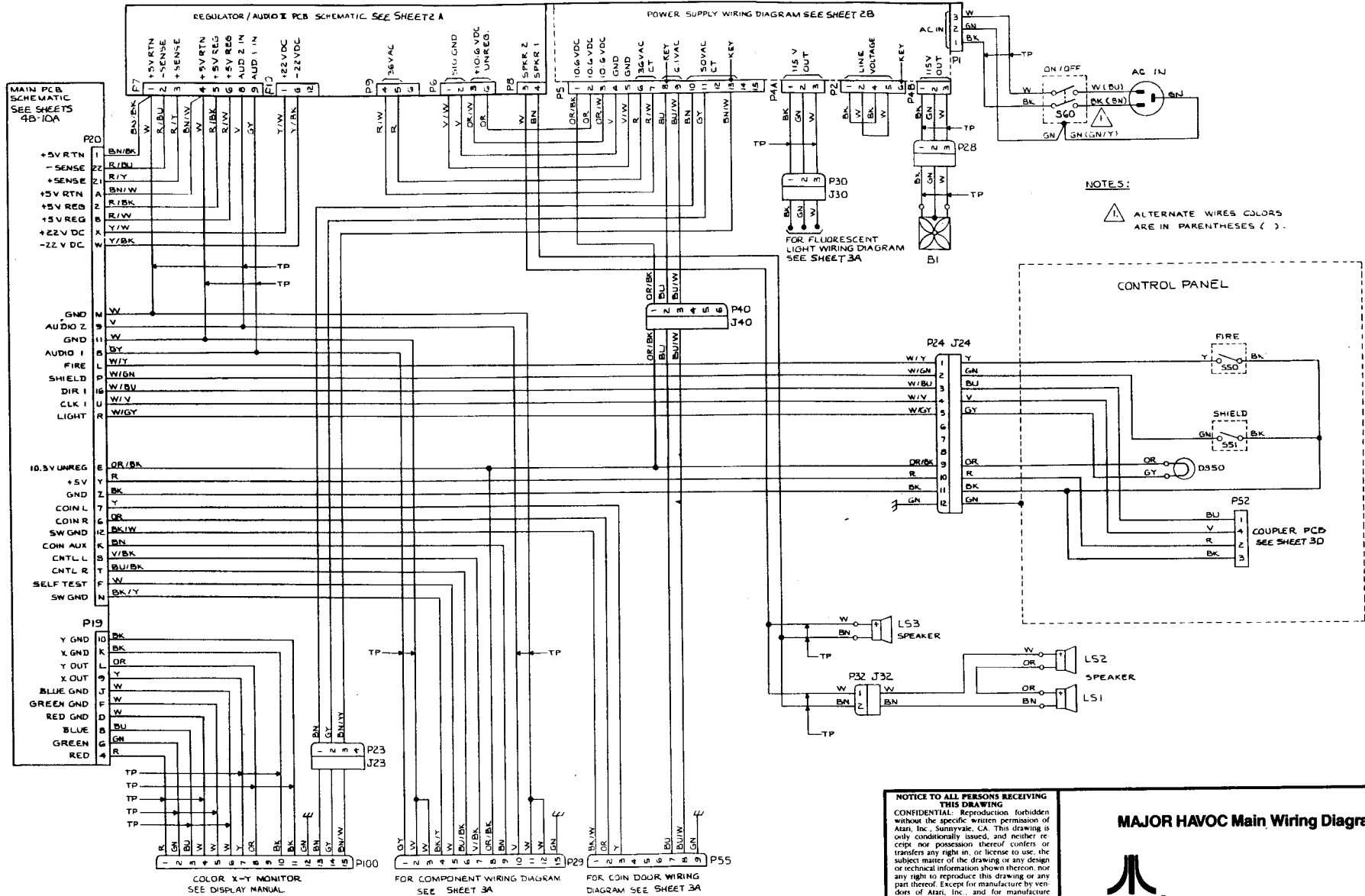


Schematic Package Supplement to

The Adventures of
MAJOR HAVOC

Operators Manual

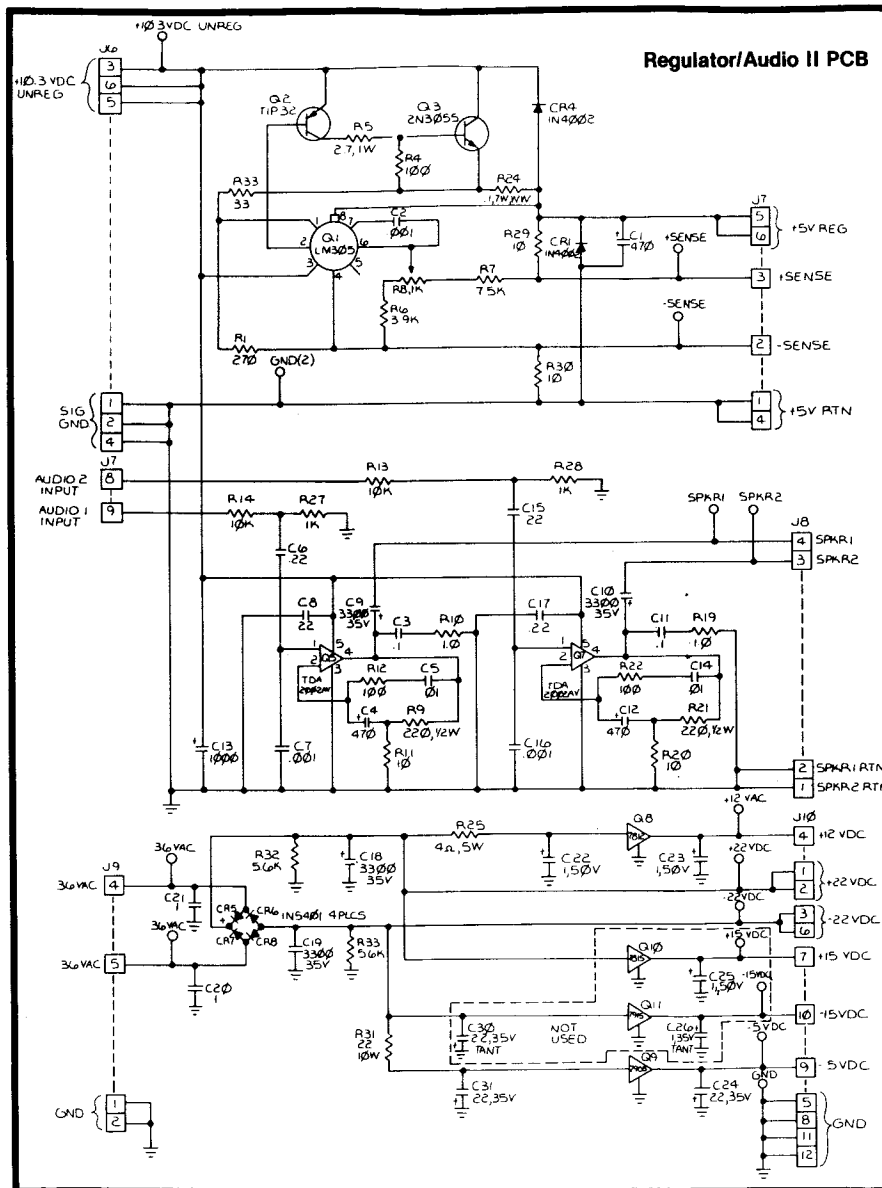




NOTES:
 ⚠️ ALTERNATE WIRES COLORS ARE IN PARENTHESES ().

MAJOR HAVOC Main Wiring Diagram



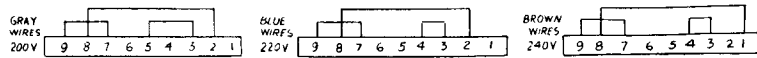


NOTICE TO ALL PERSONS RECEIVING THIS DRAWING
 CONFIDENTIAL. Reproduction forbidden without the specific written permission of Atari, Inc., Sunnyvale, CA. This drawing is only conditionally issued, and neither receipt nor possession thereof confers or transfers any right in, or license to use the subject matter of the drawing or any design or technical information shown therein, nor any right to reproduce this drawing or any part thereof. Except for manufacture by vendors of Atari, Inc., and for manufacture under the corporation's written license, no right is granted to reproduce this drawing or the subject matter thereof, unless by written agreement with or written permission from the corporation.

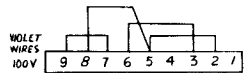
MAJOR HAVOC Regulator/Audio II PCB Schematic Diagram



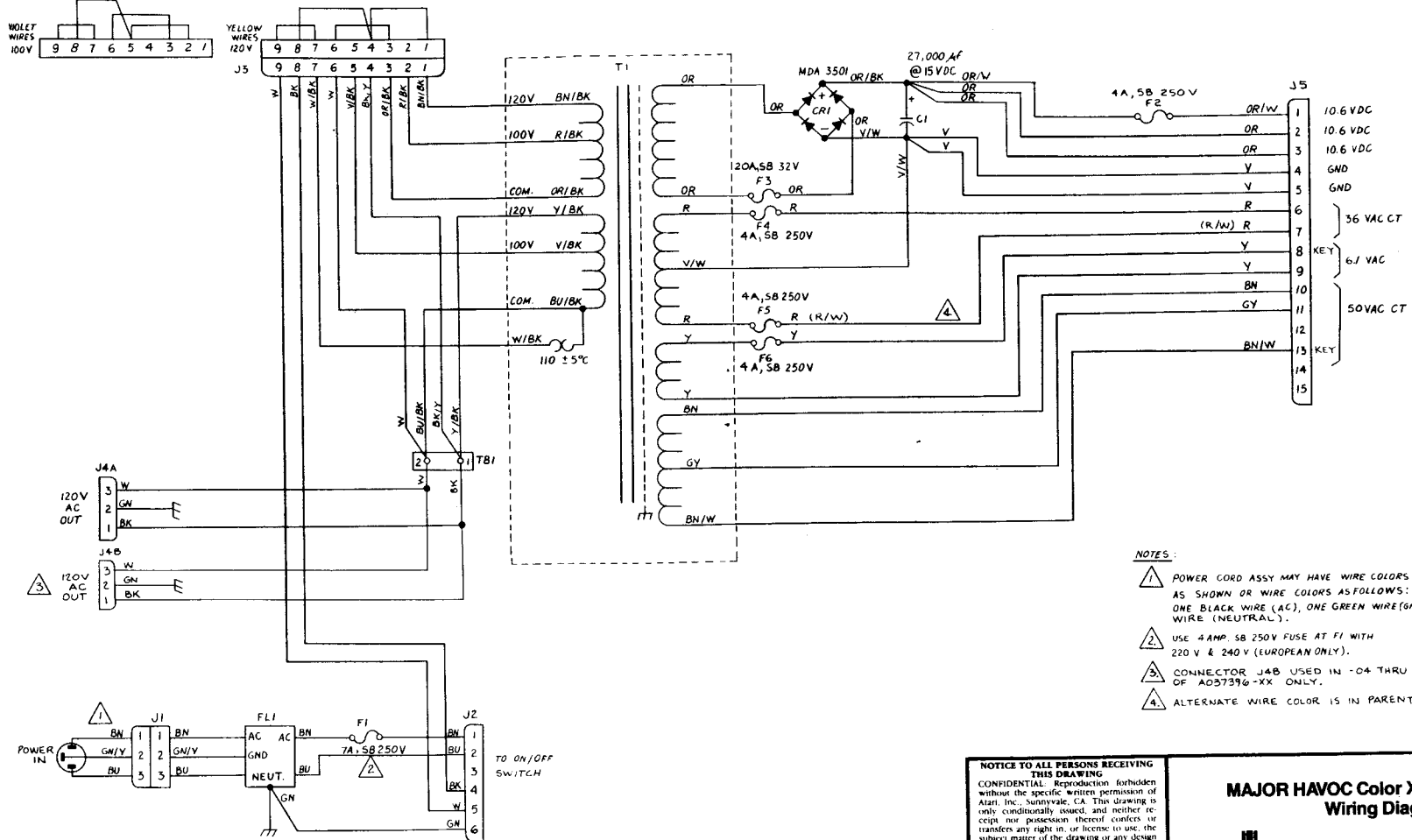
© ATARI INC. 1983



VOLTAGE SELECTION BLOCKS



Color X-Y Power Supply Wiring Diagram



NOTES:

- 1 POWER CORD ASSY MAY HAVE WIRE COLORS AS SHOWN OR WIRE COLORS AS FOLLOWS: ONE BLACK WIRE (AC), ONE GREEN WIRE (GND), & ONE WHITE WIRE (NEUTRAL).
- 2 USE 4 AMP. SB 250V FUSE AT F1 WITH 220 V & 240 V (EUROPEAN ONLY).
- 3 CONNECTOR J4B USED IN -04 THRU -06 VERSIONS OF A037396-XX ONLY.
- 4 ALTERNATE WIRE COLOR IS IN PARENTHESES.

NOTICE TO ALL PERSONS RECEIVING THIS DRAWING
 CONFIDENTIAL: Reproduction forbidden without the specific written permission of Atari, Inc., Sunnyvale, CA. This drawing is only conditionally issued, and neither receipt nor possession thereof confers or transfers any right in, or license to use, the subject matter of the drawing or any design or technical information shown thereon, nor any right to reproduce this drawing or any part thereof. Except for manufacture by vendors of Atari, Inc., and for manufacture under the corporation's written license, no right is granted to reproduce this drawing or the subject matter thereof, unless by written agreement with or written permission from the corporation.

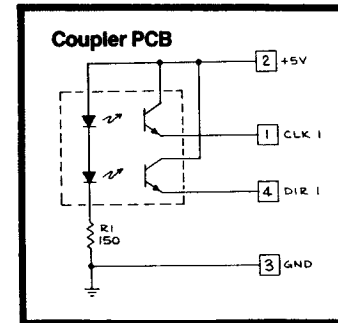
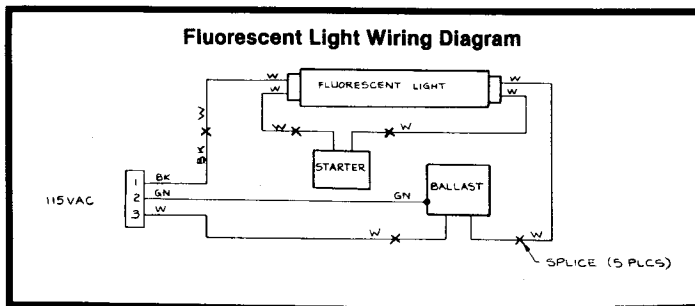
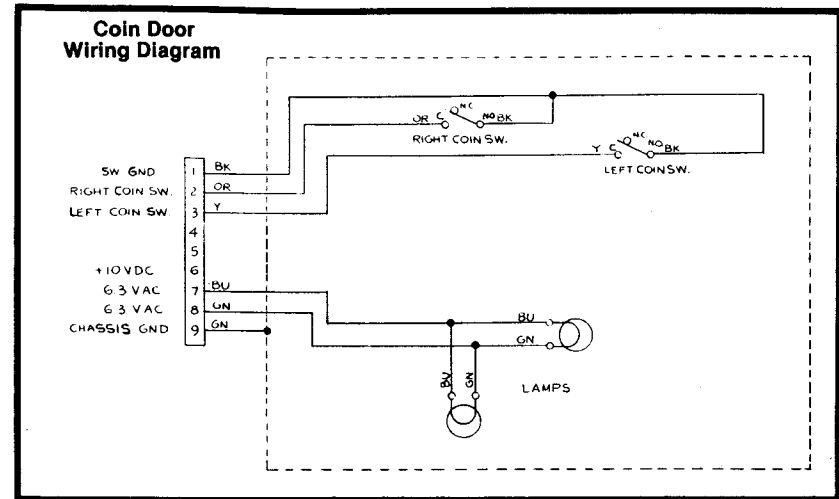
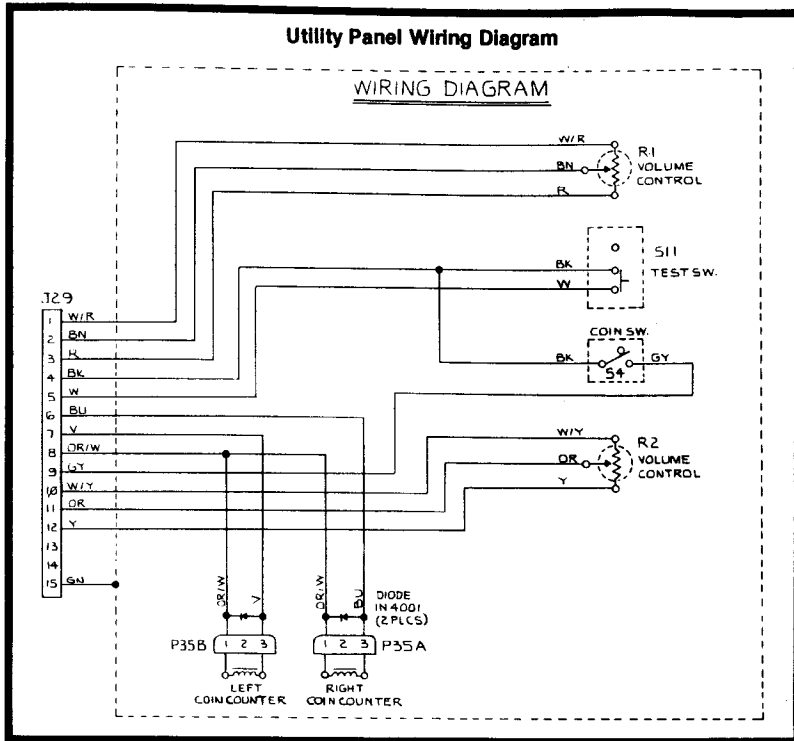
MAJOR HAVOC Color X-Y Power Supply Wiring Diagram



© Atari Inc. 1983

© Atari Inc. 1983

SP-252 Sheet 2B
1st printing



NOTICE TO ALL PERSONS RECEIVING THIS DRAWING
 CONFIDENTIAL. Reproduction forbidden without the specific written permission of Atari, Inc., Sunnyvale, CA. This drawing is only conditionally issued, and neither receipt nor possession thereof confers or transfers any right in, or license to use, the subject matter of the drawing or any design or technical information shown thereon, nor any right to reproduce this drawing or any part thereof. Except for manufacture by vendors of Atari, Inc., and for manufacture under the corporation's written license, no right is granted to reproduce this drawing or the subject matter thereof, unless by written agreement with or written permission from the corporation.

MAJOR HAVOC Game Interfaces



ATARI®
 A Warner Communications Company

© ATARI INC. 1983

SP-252 Sheet 3A
 1st printing

Major Havoc Memory Map Alpha (α) Microprocessor

HEXA-DECIMAL ADDRESS	ADDRESS BUS SIGNAL LINES																READ/ WRITE	DATA BUS SIGNAL LINES								FUNCTION
	A15	A14	A13	A12	A11	A10	A9	A8	A7	A6	A5	A4	A3	A2	A1	A0		D7	D6	D5	D4	D3	D2	D1	D0	
0000-01FF	0	0	0	0	0	0	0	A	A	A	A	A	A	A	A	A	R/W	D	D	D	D	D	D	D	D	PROGRAM RAM (1/2K)
0200-07FF	0	0	0	0	0	A	A	A	A	A	A	A	A	A	A	A	R/W	D	D	D	D	D	D	D	D	PAGED PROGRAM RAM (3K)
0800-09FF	0	0	0	0	1	0	0	A	A	A	A	A	A	A	A	A	R/W	D	D	D	D	D	D	D	D	PROGRAM RAM (1/2K)
1000	0	0	0	1	0	0	0										R	D	D	D	D	D	D	D	D	GAMMA COMM. READ PORT
1200	0	0	0	1	0	0	1										R	D								RIGHT COIN SW. (PLAYER 1=0)
1200	0	0	0	1	0	0	1										R	D								LEFT COIN SW. (PLAYER 1=0)
1200	0	0	0	1	0	0	1										R	D	D							AUX. COIN SW. (PLAYER 1=0)
1200	0	0	0	1	0	0	1										R	D	D							SELF-TEST (PLAYER 1=1)
1200	0	0	0	1	0	0	1										R	D	D							CABINET SW. (PLAYER 1=1)
1200	0	0	0	1	0	0	1										R	D	D							AUX. COIN SW. (PLAYER 1=1)
1200	0	0	0	1	0	0	1										R				D					GAMMA RCVD FLAG
1200	0	0	0	1	0	0	1										R						D			GAMMA XMTD FLAG
1200	0	0	0	1	0	0	1										R							D		2.4KHz
1200	0	0	0	1	0	0	1										R								D	VEC. GEN. HALT FLAG
1400-141F	0	0	0	1	0	1	0				A	A	A	A			W					D	D	D	D	COLORAM
1600	0	0	0	1	0	1	1	0	0	0							W	D								INVERT Y
1600	0	0	0	1	0	1	1	0	0	0							W	D	D							INVERT X
1600	0	0	0	1	0	1	1	0	0	0							W		D							PLAYER 1
1600	0	0	0	1	0	1	1	0	0	0							W				D					GAMMA RESET
1600	0	0	0	1	0	1	1	0	0	0							W							D		ROLLER CONTROL LIGHT
1640	0	0	0	1	0	1	1	0	0	1							W									VEC. GEN. GO
1680	0	0	0	1	0	1	1	0	1	0							W									WATCHDOG CLEAR
16C0	0	0	0	1	0	1	1	0	1	1							W									VEC. GEN. RESET
1700	0	0	0	1	0	1	1	1	0	0							W									IRQ ACKNOWLEDGE
1740	0	0	0	1	0	1	1	1	0	1							W									PROGRAM ROM MMU
1780	0	0	0	1	0	1	1	1	1	0							W									PROGRAM RAM SELECT
17C0	0	0	0	1	0	1	1	1	1	1							W									GAMMA COMM. WRITE PORT
2000-3FFF	0	0	1	A	A	A	A	A	A	A	A	A	A	A	A	A	R	D	D	D	D	D	D	D	D	PAGED PROG. ROM (32K)
4000-4FFF	0	1	0	0	A	A	A	A	A	A	A	A	A	A	A	A	R/W	D	D	D	D	D	D	D	D	VEC. GEN. RAM (4K)
5000-5FFF	0	1	0	1	A	A	A	A	A	A	A	A	A	A	A	A	R	D	D	D	D	D	D	D	D	VEC. GEN. ROM (4K)
6000-7FFF	0	1	1	A	A	A	A	A	A	A	A	A	A	A	A	A	R	D	D	D	D	D	D	D	D	PAGED VEC. GEN. ROM (32K)
8000-FFFF	1	A	A	A	A	A	A	A	A	A	A	A	A	A	A	A	R	D	D	D	D	D	D	D	D	PROGRAM ROM (32K)

NOTICE TO ALL PERSONS RECEIVING THIS DRAWING
 CONFIDENTIAL: Reproduction forbidden without the specific written permission of Atari, Inc., Sunnyvale, CA. This drawing is only conditionally issued, and neither receipt nor possession thereof confers or transfers any right in, or license to use, the subject matter of the drawing or any design or technical information shown thereon, nor any right to reproduce this drawing or any part thereof. Except for manufacture by vendors of Atari, Inc., and for manufacture under the corporation's written license, no right is granted to reproduce this drawing or the subject matter thereof, unless by written agreement with or written permission from the corporation.

MAJOR HAVOC Memory Map Alpha (α) Microprocessor



ATARI®
 A Warner Communications Company

© ATARI INC. 1983

SP-252 Sheet 3B
 1st printing

Major Havoc Memory Map Gamma (γ) Microprocessor

HEXA- DECIMAL ADDRESS	ADDRESS BUS SIGNAL LINES														READ/ WRITE	DATA BUS SIGNAL LINES								FUNCTION		
	A15	A14	A13	A12	A11	A10	A9	A8	A7	A6	A5	A4	A3	A2		A1	A0	D7	D6	D5	D4	D3	D2		D1	D0
0000-07FF	0	0	0			A	A	A	A	A	A	A	A	A	A	A	R/W	D	D	D	D	D	D	D	D	PROGRAM RAM (2K)
2000-203F	0	0	1	0	0							A	A	A	A	A	R/W	D	D	D	D	D	D	D	QUAD. CUSTOM I/O	
2800	0	0	1	0	1												R	D							FIRE 1 SWITCH	
2800	0	0	1	0	1												R	D							SHIELD 1 SWITCH	
2800	0	0	1	0	1												R		D						FIRE 2 SWITCH	
2800	0	0	1	0	1												R			D					SHIELD 2 SWITCH	
2800	0	0	1	0	1												R						D		ALPHA RCVD FLAG	
2800	0	0	1	0	1												R							D	ALPHA XMTD FLAG	
3000	0	0	1	1	0												R	D	D	D	D	D	D	D	ALPHA COMM. READ PORT	
3800-3803	0	0	1	1	1										A	A	R	D	D	D	D	D	D	D	ROLLER CONTROL INPUT	
4000	0	1	0	0	0												W								IRQ ACKNOWLEDGE	
4800	0	1	0	0	1												W							D	LEFT COIN COUNTER	
4800	0	1	0	0	1												W							D	RIGHT COIN COUNTER	
5000	0	1	0	1	0												R							D	ALPHA COMM. WRITE PORT	
6000-61FF	0	1	1				A	A	A	A	A	A	A	A	A	A	R/W	D	D	D	D	D	D	D	EEROM	
8000-BFFF	1	A	A	A	A	A	A	A	A	A	A	A	A	A	A	A	R	D	D	D	D	D	D	D	PROGRAM ROM	

NOTICE TO ALL PERSONS RECEIVING THIS DRAWING
 CONFIDENTIAL: Reproduction forbidden without the specific written permission of Atari, Inc., Sunnyvale, CA. This drawing is only conditionally issued, and neither receipt nor possession thereof confers or transfers any right in, or license to use, the subject matter of the drawing or any design or technical information shown thereon, nor any right to reproduce this drawing or any part thereof. Except for manufacture by vendors of Atari, Inc., and for manufacture under the corporation's written license, no right is granted to reproduce this drawing or the subject matter thereof, unless by written agreement with or written permission from the corporation.

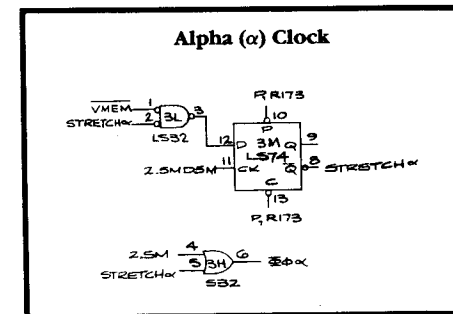
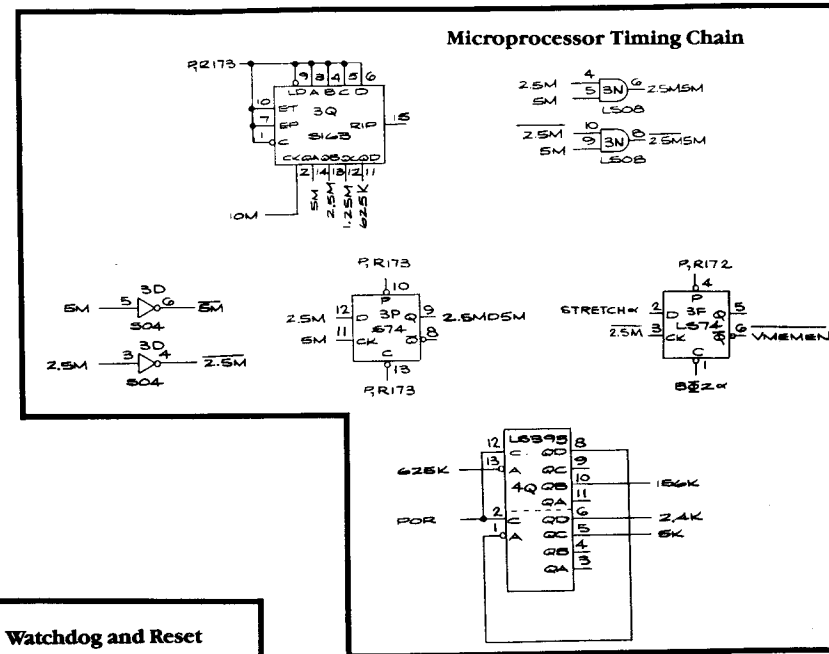
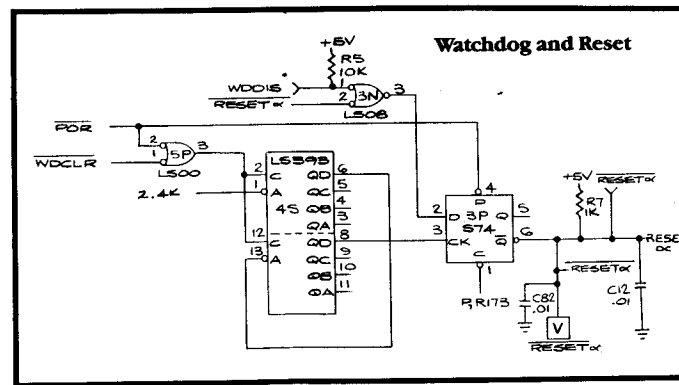
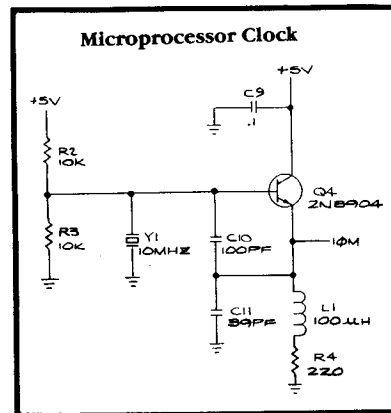
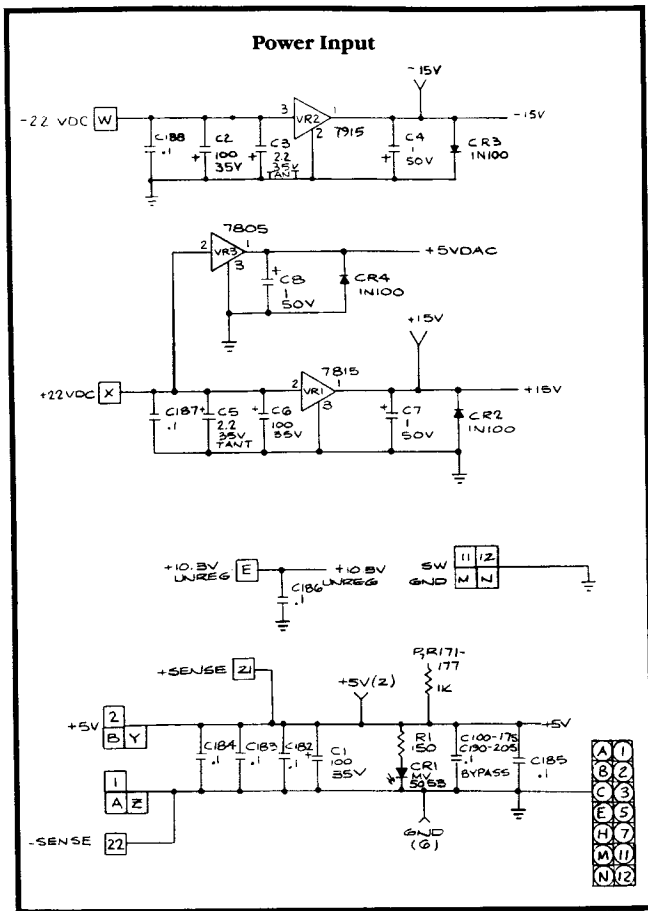
MAJOR HAVOC Memory Map Gamma (γ) Microprocessor



A Warner Communications Company

© ATARI INC. 1983

SP-252 Sheet 4A
1st printing



NOTICE TO ALL PERSONS RECEIVING THIS DRAWING
 CONFIDENTIAL: Reproduction forbidden without the specific written permission of Atari, Inc., Sunnyvale, CA. This drawing is only conditionally issued, and neither receipt nor possession thereof confers or transfers any right in, or license to use, the subject matter of the drawing or any design or technical information shown therein, nor any right to reproduce this drawing or any part thereof. Except for manufacture by vendors of Atari, Inc., and for manufacture under the corporation's written license, no right is granted to reproduce this drawing or the subject matter thereof, unless by written agreement with or written permission from the corporation.

MAJOR HAVOC Main PCB Schematic Diagram

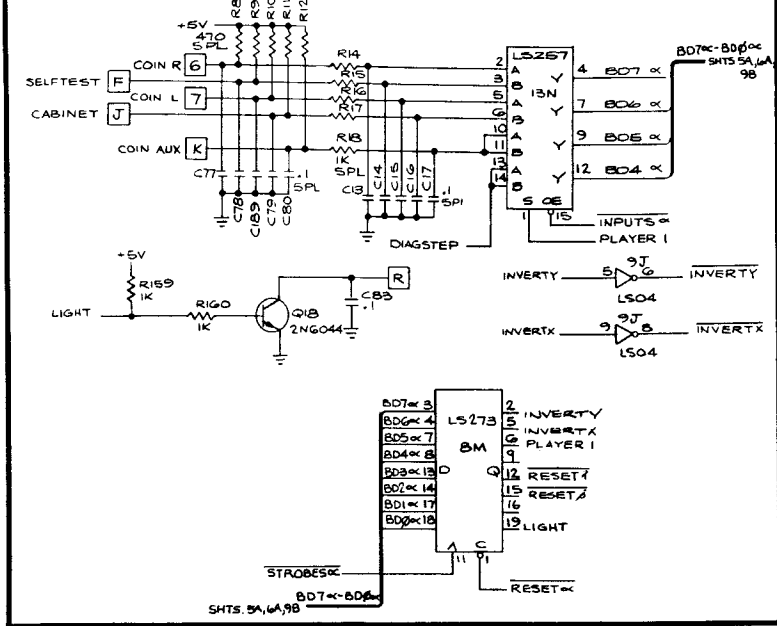


Atari®
 A Warner Communications Company

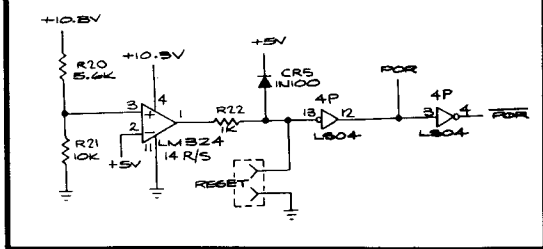
© ATARI INC. 1983

SP-252 Sheet 4B
 1st printing

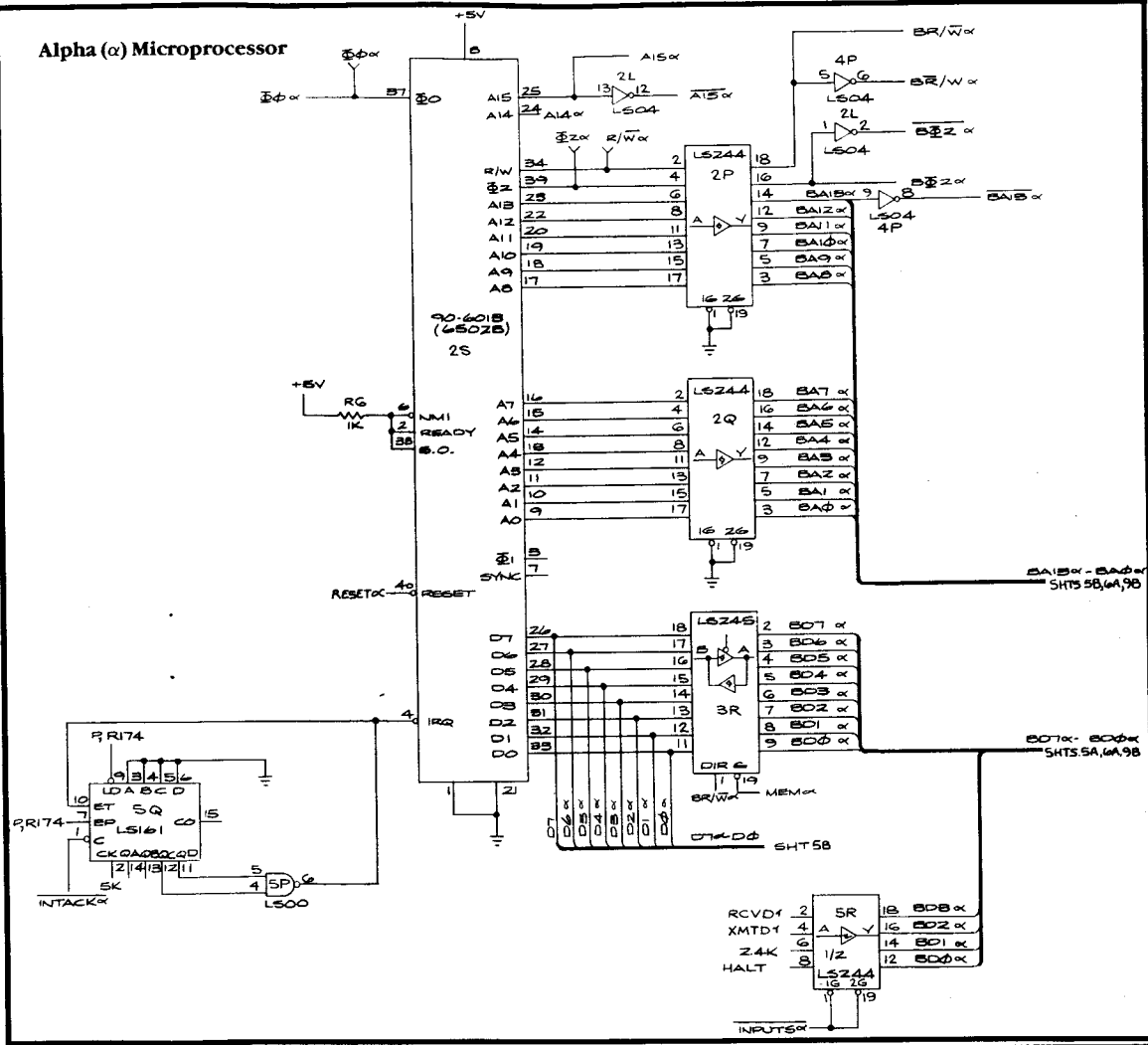
Alpha (α) Input/Output



Power-Up Reset



Alpha (α) Microprocessor



NOTICE TO ALL PERSONS RECEIVING THIS DRAWING

CONFIDENTIAL: Reproduction forbidden without the specific written permission of Atari, Inc., Sunnyvale, CA. This drawing is only conditionally issued, and neither receipt nor possession thereof confers or transfers any right in, or license to use, the subject matter of the drawing or any design or technical information shown thereon, nor any right to reproduce this drawing or any part thereof. Except for manufacture by vendors of Atari, Inc., and for manufacture under the corporation's written license, no right is granted to reproduce this drawing or the subject matter thereof, unless by written agreement with or written permission from the corporation.

MAJOR HAVOC Main PCB Schematic Diagram

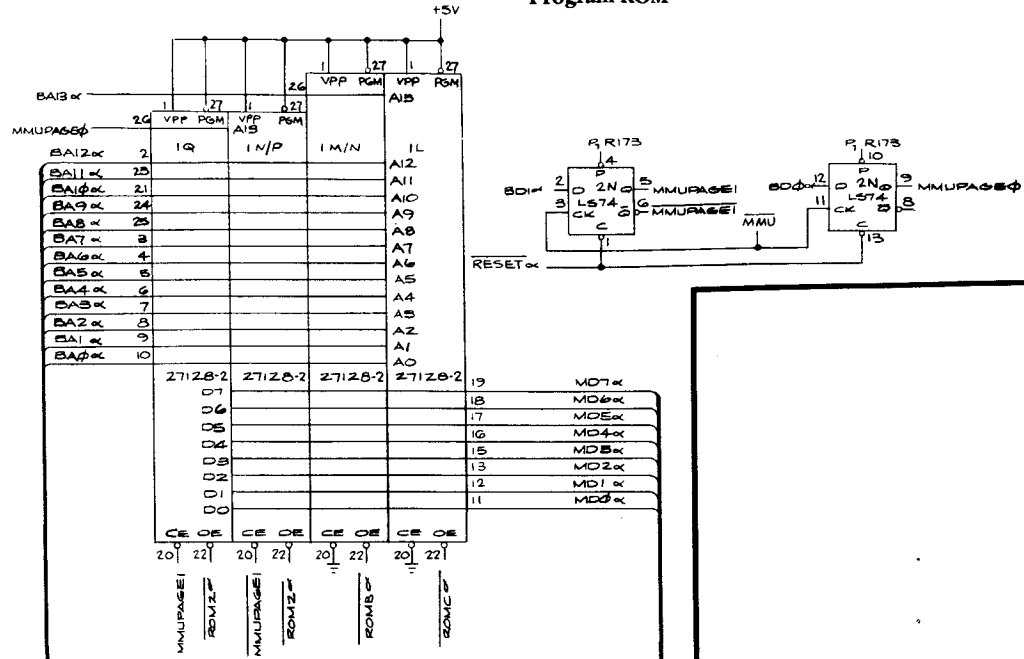


ATARI®
A Warner Communications Company

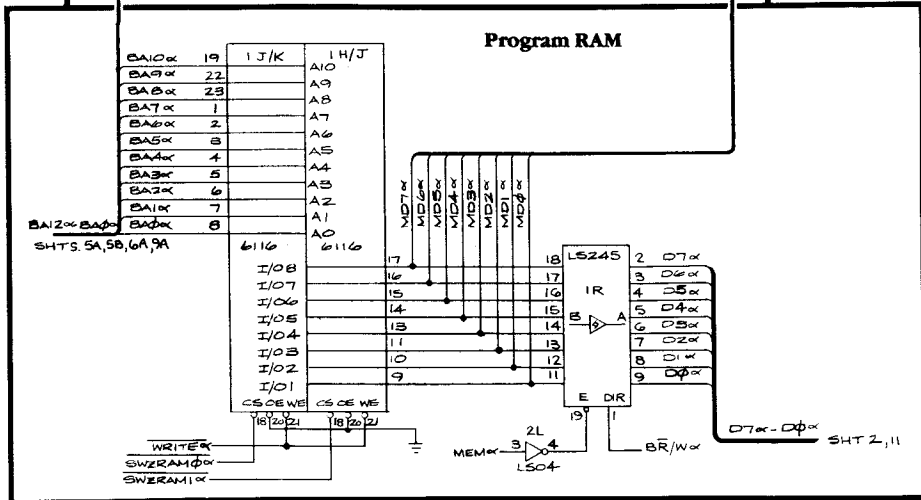
© ATARI INC. 1983

SP-252 Sheet 5A
1st printing

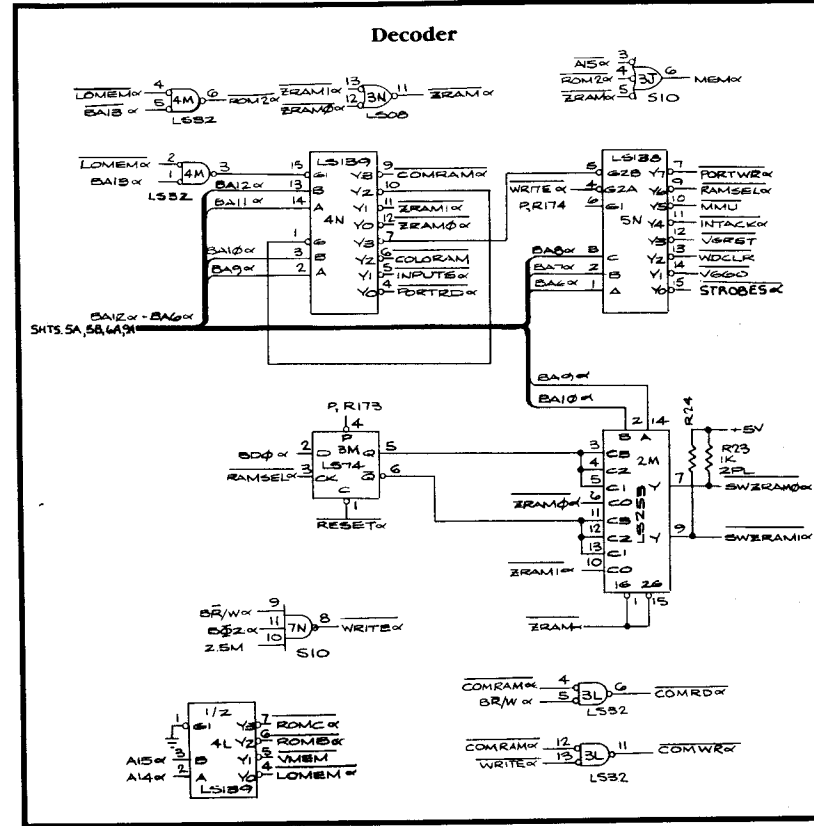
Program ROM



Program RAM



Decoder



NOTICE TO ALL PERSONS RECEIVING THIS DRAWING
 CONFIDENTIAL: Reproduction forbidden without the specific written permission of Atari, Inc., Sunnyvale, CA. This drawing is only conditionally issued, and neither receipt nor possession thereof confers or transfers any right in, or license to use, the subject matter of the drawing or any design or technical information shown hereon, nor any right to reproduce this drawing or any part thereof. Except for manufacture by vendors of Atari, Inc., and for manufacture under the corporation's written license, no right is granted to reproduce this drawing or the subject matter thereof, unless by written agreement with or written permission from the corporation.

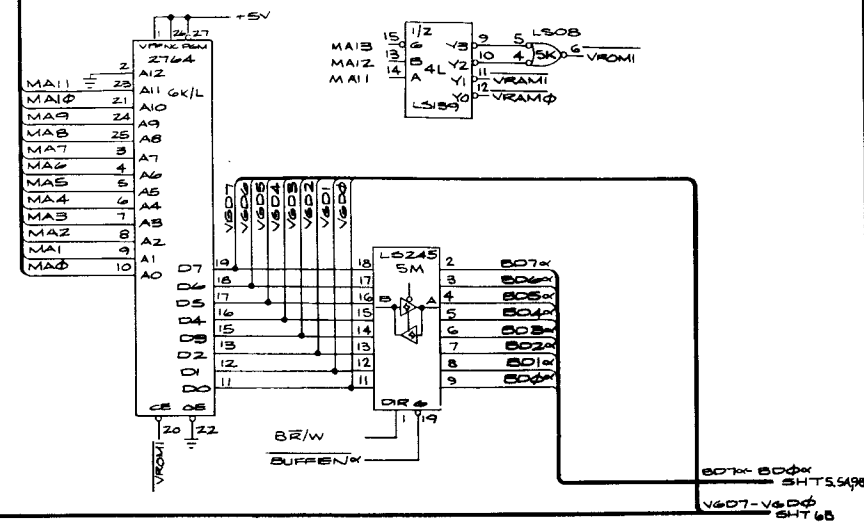
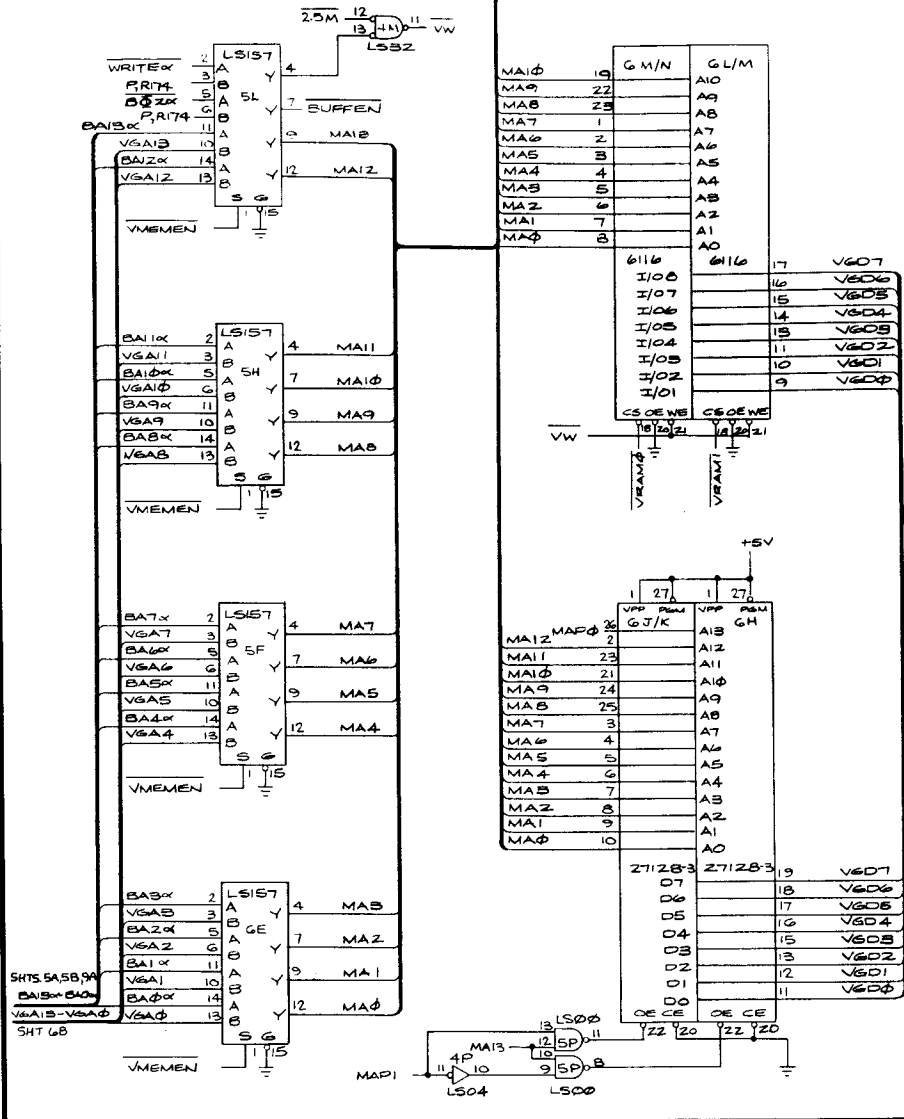
MAJOR HAVOC Main PCB Schematic Diagram



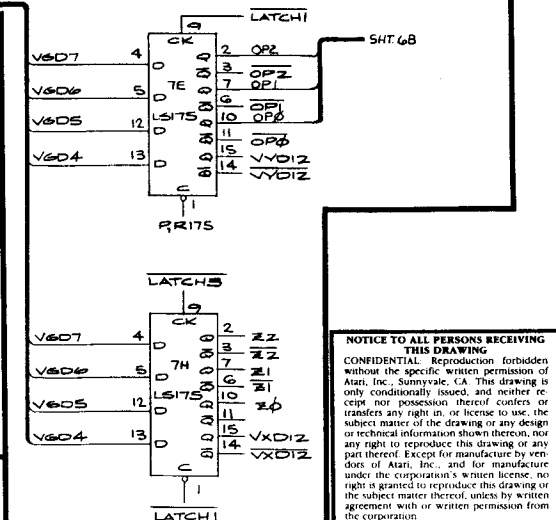
© ATARI INC. 1983

SP-252 Sheet 5B
1st printing

Vector Generator Memory



OP Code and Intensity Latches



NOTICE TO ALL PERSONS RECEIVING THIS DRAWING

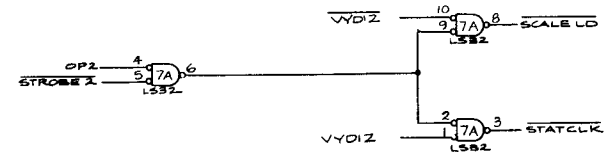
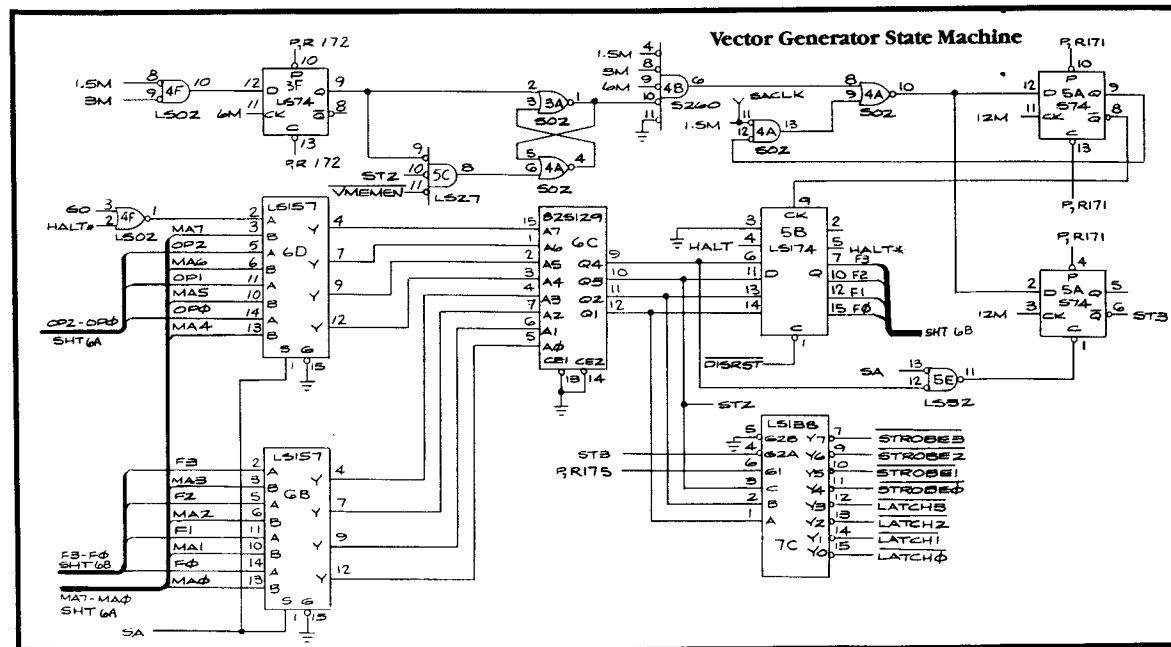
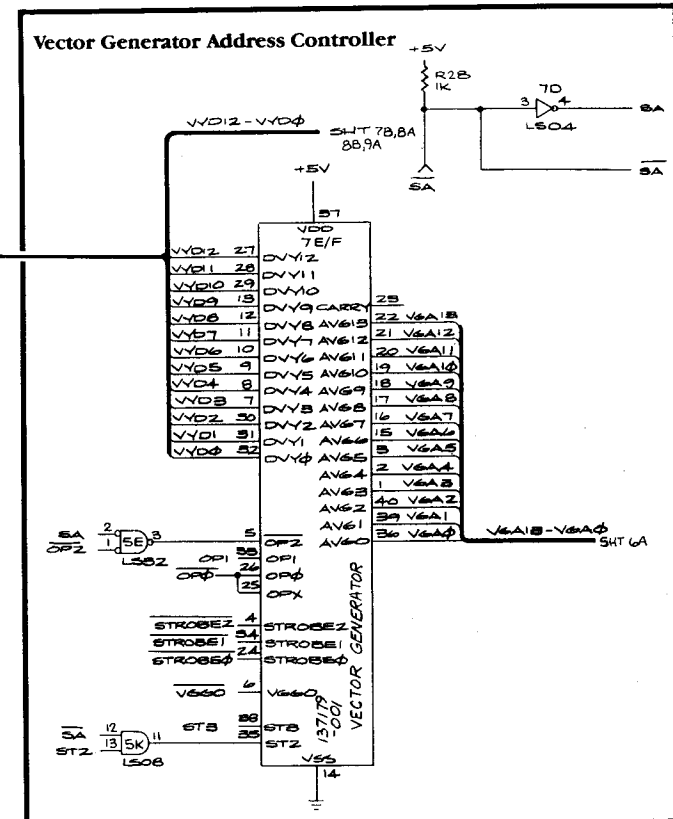
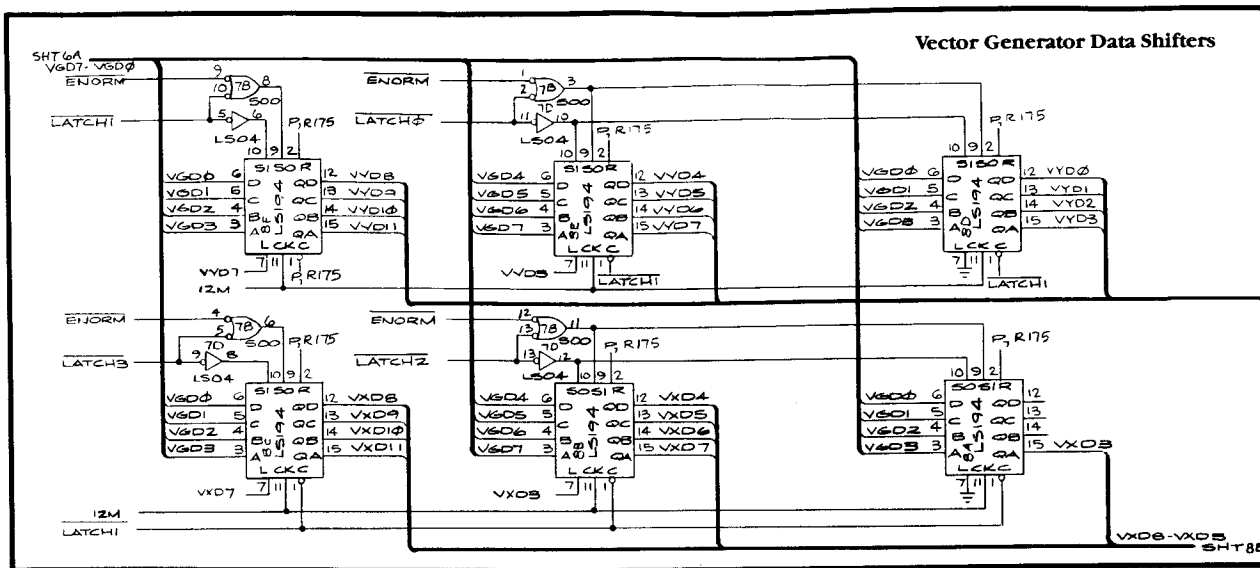
CONFIDENTIAL. Reproduction forbidden without the specific written permission of Atari, Inc., Sunnyvale, CA. This drawing is only conditionally issued, and neither receipt nor possession thereof confers or transfers any right in, or license to use, the subject matter of the drawing or any design or technical information shown thereon, nor any right to reproduce this drawing or any part thereof. Except for manufacture by vendors of Atari, Inc., and for manufacture under the corporation's written license, no right is granted to reproduce this drawing or the subject matter thereof, unless by written agreement with or written permission from the corporation.

MAJOR HAVOC Main PCB Schematic Diagram

ATARI®

© ATARI INC. 1983

SP-252 Sheet 6A
1st printing



NOTICE TO ALL PERSONS RECEIVING THIS DRAWING

CONFIDENTIAL: Reproduction forbidden without the specific written permission of Atari, Inc. Survival: "A" This drawing is only conditionally issued, and neither receipt nor possession thereof confers or transfers any right in, or license to use, the subject matter of the drawing or any design or technical information shown thereon, nor any right to reproduce this drawing or any part thereof. Except for manufacture by vendors of Atari, Inc. and for manufacture under the corporation's written license, no right is granted to reproduce this drawing or the subject matter thereof, unless by written agreement with or written permission from the corporation.

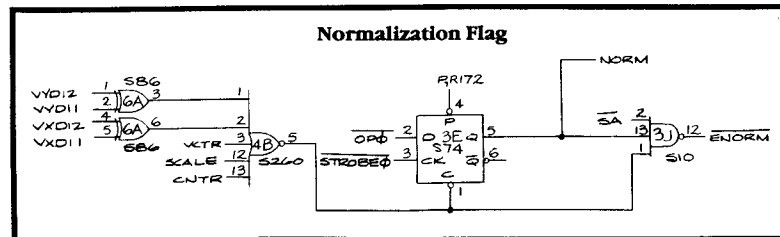
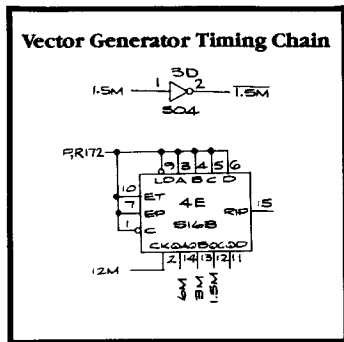
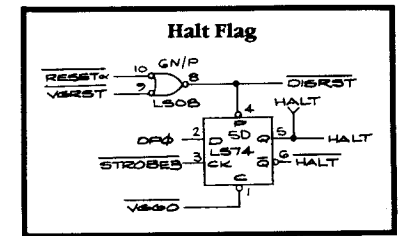
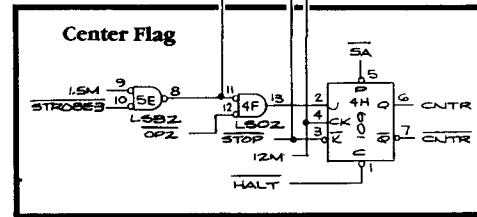
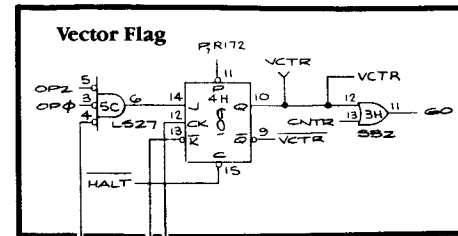
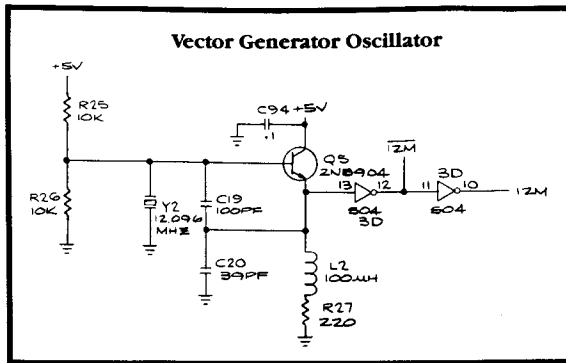
MAJOR HAVOC Main PCB Schematic Diagram



Atari Communications Company

© ATARI INC. 1983

SP-252 Sheet 6B
1st printing

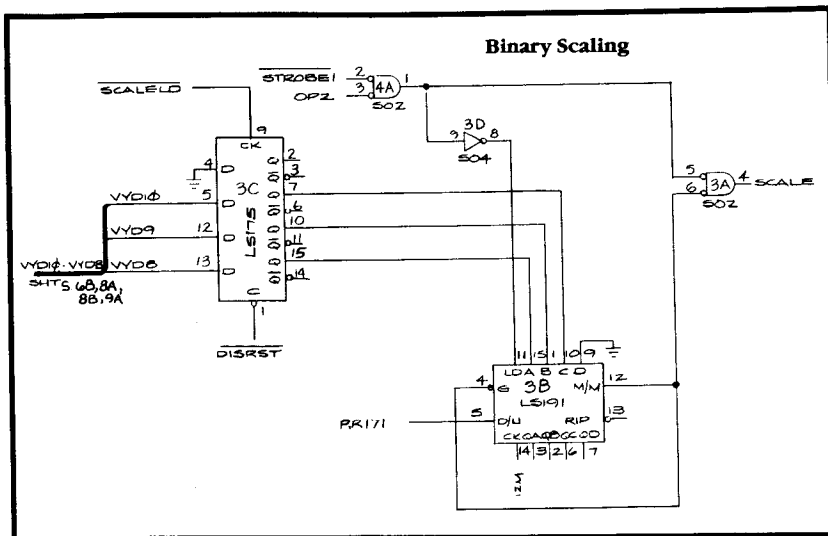
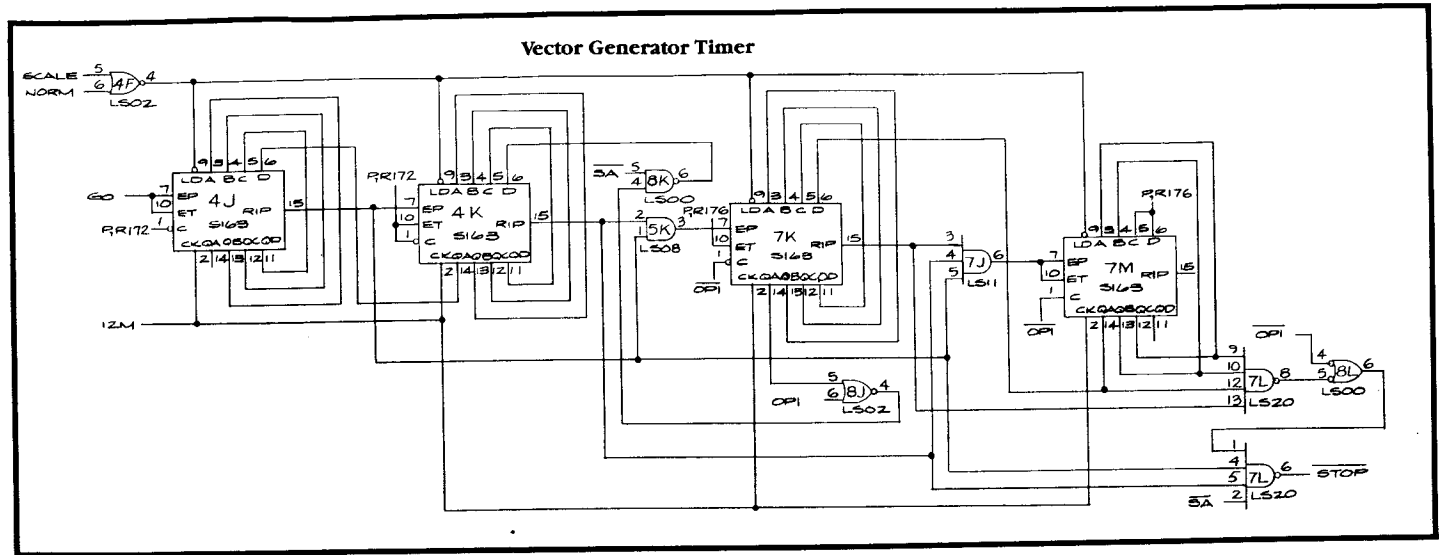


NOTICE TO ALL PERSONS RECEIVING THIS DRAWING
 CONFIDENTIAL: Reproduction forbidden without the specific written permission of Atari, Inc., Sunnyvale, CA. This drawing is only conditionally issued, and neither receipt nor possession thereof confers or transfers any right in, or license to use, the subject matter of the drawing or any design or technical information shown thereon, nor any right to reproduce this drawing or any part thereof. Except for manufacture by vendors of Atari, Inc. and for manufacture under the corporation's written license, no right is granted to reproduce this drawing or the subject matter thereof, unless by written agreement with or written permission from the corporation.

MAJOR HAVOC Main PCB Schematic Diagram


© ATARI INC. 1983

SP-252 Sheet 7A
1st printing



NOTICE TO ALL PERSONS RECEIVING THIS DRAWING
 CONFIDENTIAL. Reproduction forbidden without the specific written permission of Atari, Inc., Sunnyvale, CA. This drawing is only conditionally issued, and neither receipt nor possession thereof confers or transfers any right in, or license to use, the subject matter of the drawing or any design or technical information shown therein, nor any right to reproduce this drawing or any part thereof. Except for manufacture by vendors of Atari, Inc., and for manufacture under the corporation's written license, no right is granted to reproduce this drawing or the subject matter thereof, unless by written agreement with or written permission from the corporation.

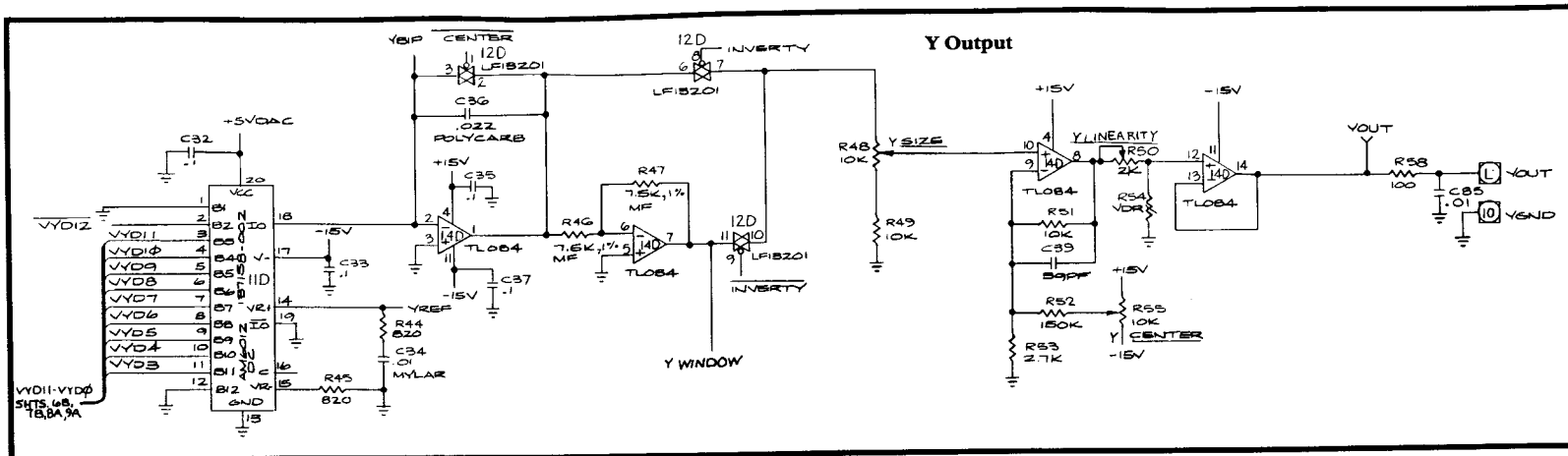
MAJOR HAVOC Main PCB Schematic Diagram



ATARI[®]

© ATARI INC. 1983

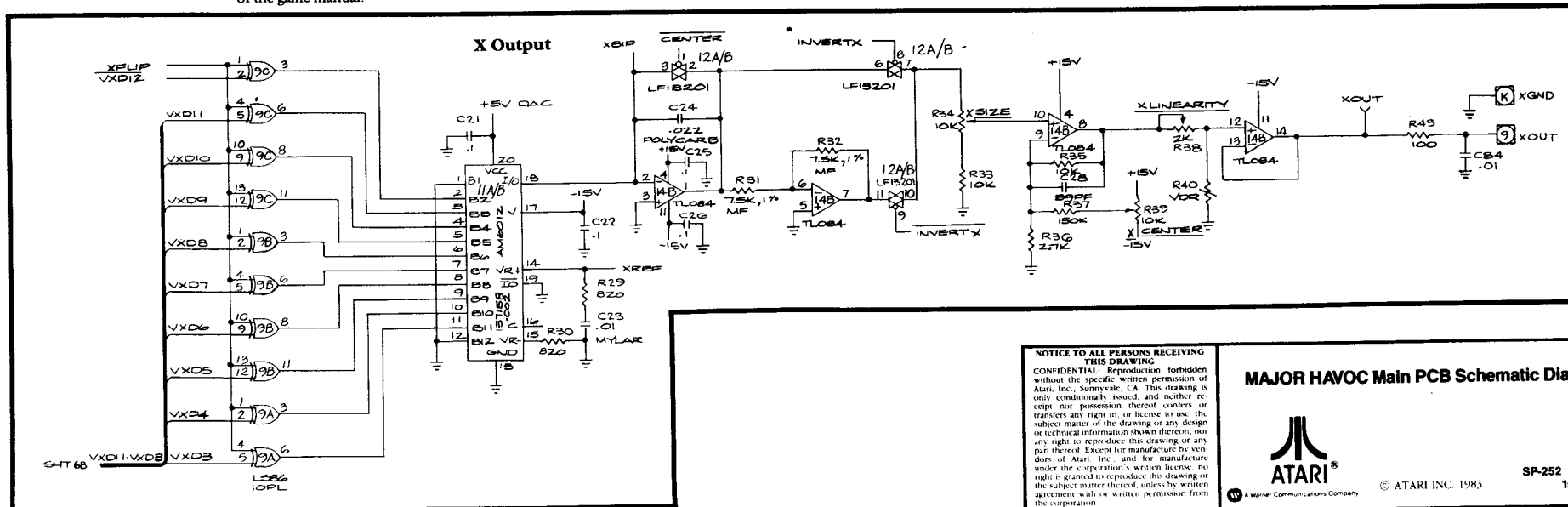
SP-252 Sheet 7B
1st printing



X and Y Video Adjustments

Perform the following procedure to adjust the display size, centering, and linearity:

1. Set the game to the SelfTest Mode and select the Crosshatch Pattern Display as described in Chapter 2 of the game manual.
2. Adjust XCENTER (R39) and YCENTER (R55) so that the crosshatch pattern is centered on the screen.
3. Adjust XSIZE (R34) and YSIZE (R48) so that all four corners of the red outline are off the screen and all four corners of the white outline are completely visible.
4. Adjust XLINEARITY (R38) and YLINEARITY (R50) so that the diagonal lines are straight and the diamond-shaped squares are symmetrical. Since the linearity potentiometers change the size of the display, it may be necessary to repeat step 3 to obtain the correct display.



NOTICE TO ALL PERSONS RECEIVING THIS DRAWING

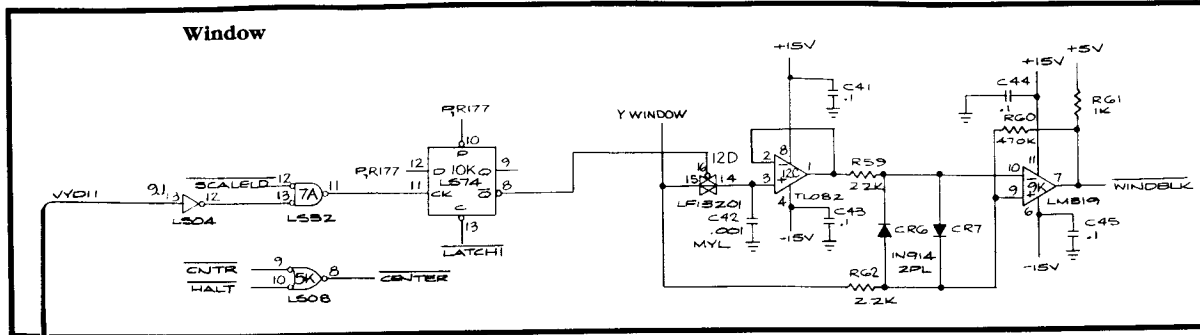
CONFIDENTIAL. Reproduction forbidden without the specific written permission of Atari, Inc., Sunnyvale, CA. This drawing is only conditionally issued, and neither receipt nor possession thereof confers or transfers any right in, or license to use, the subject matter of the drawing or any design or technical information shown therein, nor any right to reproduce this drawing or any part thereof. Except for manufacture by vendors of Atari, Inc. and for manufacture under the corporation's written license, no right is granted to reproduce this drawing or the subject matter thereof, unless by written agreement with or written permission from the corporation.

MAJOR HAVOC Main PCB Schematic Diagram



© ATARI INC. 1983

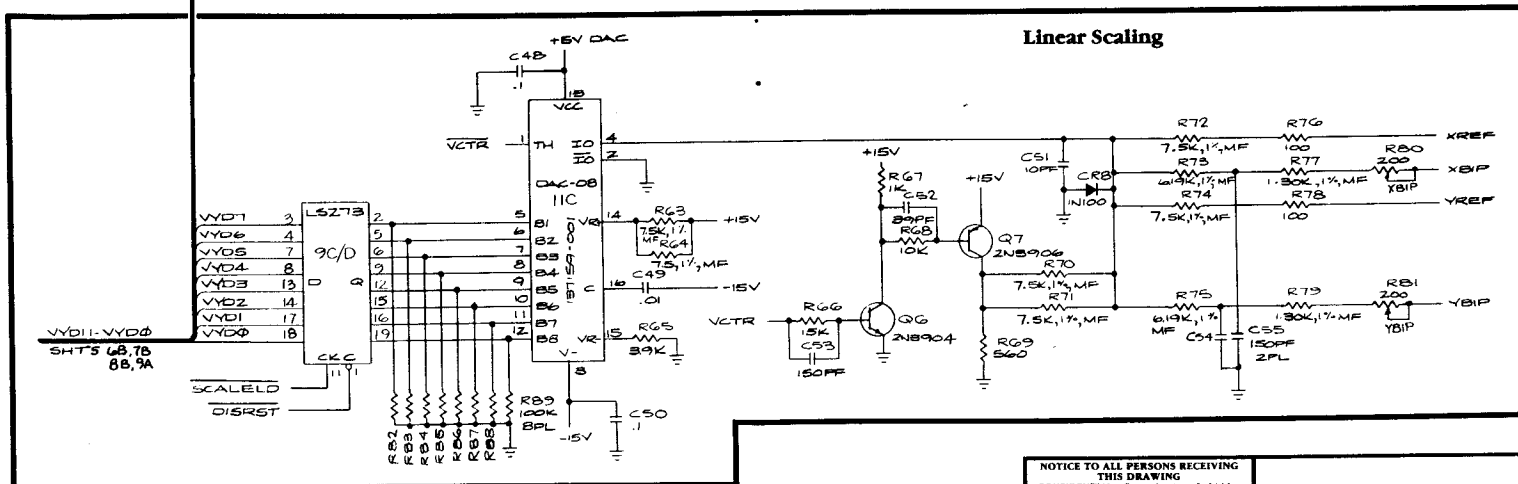
SP-252 Sheet 8B
1st printing



Bipolar Offset Adjustments

Perform the following procedure to adjust the bipolar offset current:

1. Set the game to the Self-Test Mode and select the Bipolar Offset Test Display as described in Chapter 2 of the game manual.
2. Adjust XBIP (R80) and YBIP (R81) so that the lines in the center of the screen cleanly overlap to form a single orange square. The upper right-hand corner of the orange square is the critical adjustment point.



NOTICE TO ALL PERSONS RECEIVING THIS DRAWING
 CONFIDENTIAL: Reproduction forbidden without the specific written permission of Atari, Inc., Sunnyvale, CA. This drawing is only conditionally issued, and neither receipt nor possession thereof confers or transfers any right in, or license to use, the subject matter of the drawing or any design or technical information shown thereon, nor any right to reproduce this drawing or any part thereof. Except for manufacture by vendors of Atari, Inc., and for manufacture under the corporation's written license, no right is granted to reproduce this drawing or the subject matter thereof, unless by written agreement with or written permission from the corporation.

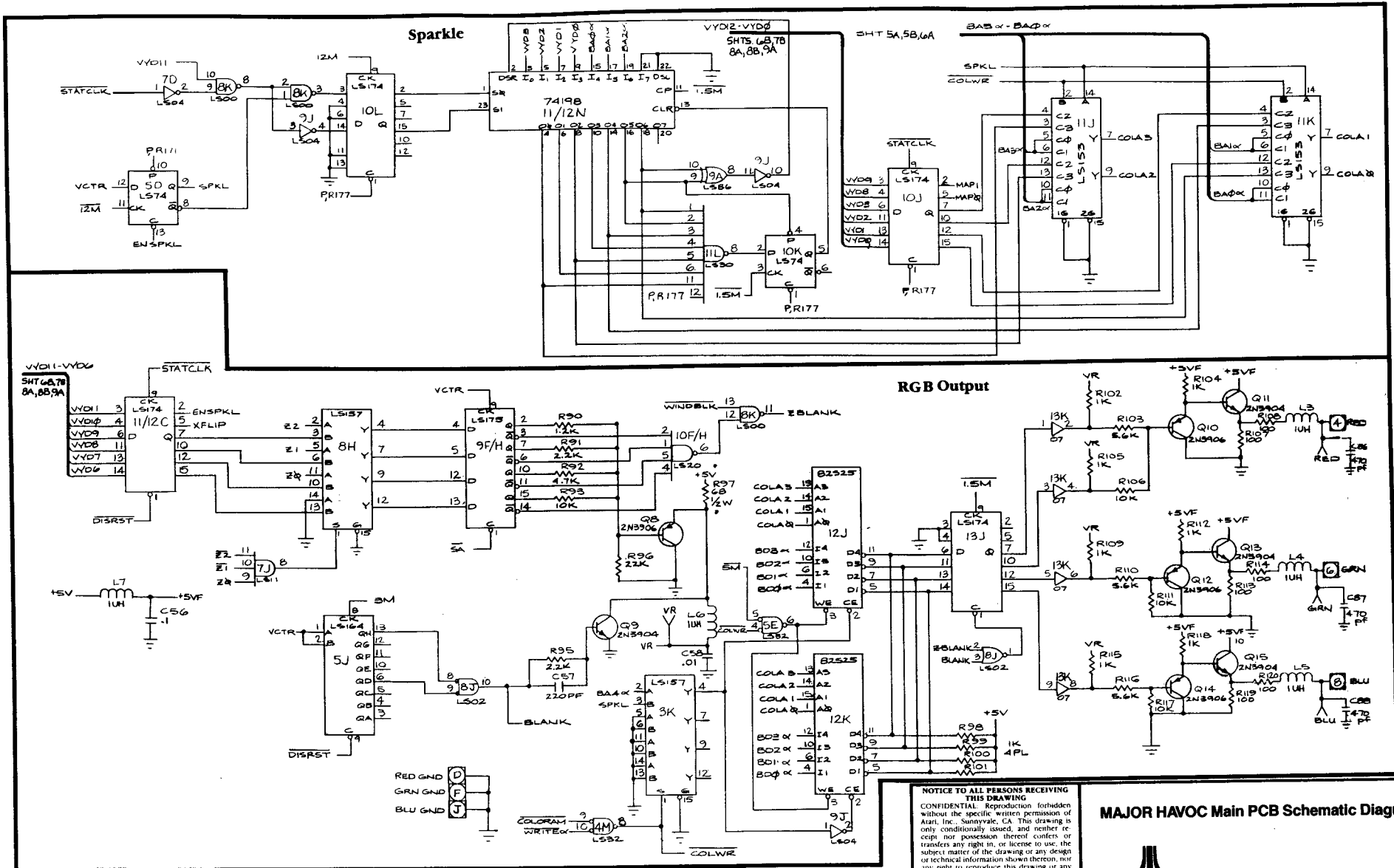
MAJOR HAVOC Main PCB Schematic Diagram



© Atari Inc. 1983

© Atari Inc. 1983

SP-252 Sheet 8A
 1st printing



NOTICE TO ALL PERSONS RECEIVING THIS DRAWING
 CONFIDENTIAL: Reproduction forbidden without the specific written permission of Atari, Inc., Sunnyvale, CA. This drawing is only conditionally issued, and neither receipt nor possession thereof confers or transfers any right in, or license to use, the subject matter of the drawing or any design or technical information shown thereon, nor any right to reproduce this drawing or any part thereof. Except for manufacture by vendors of Atari, Inc., and for manufacture under the corporation's written license, no right is granted to reproduce this drawing or the subject matter thereof, unless by written agreement with or written permission from the corporation.

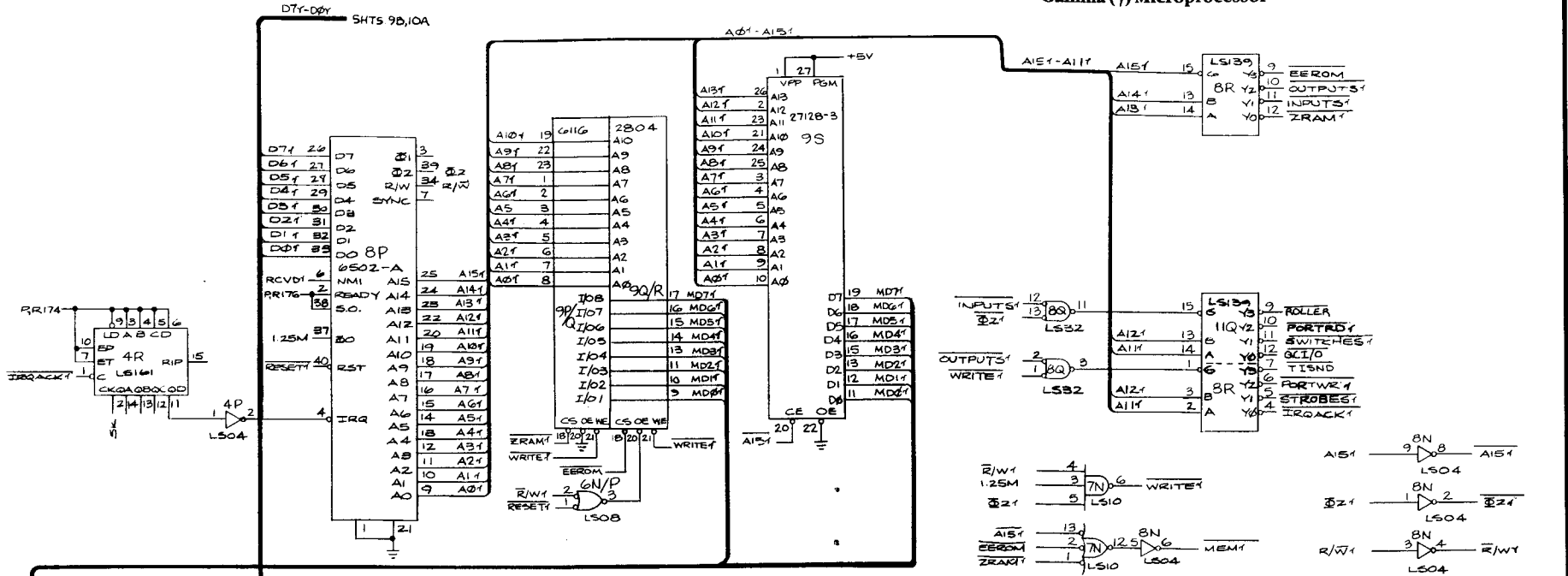
MAJOR HAVOC Main PCB Schematic Diagram



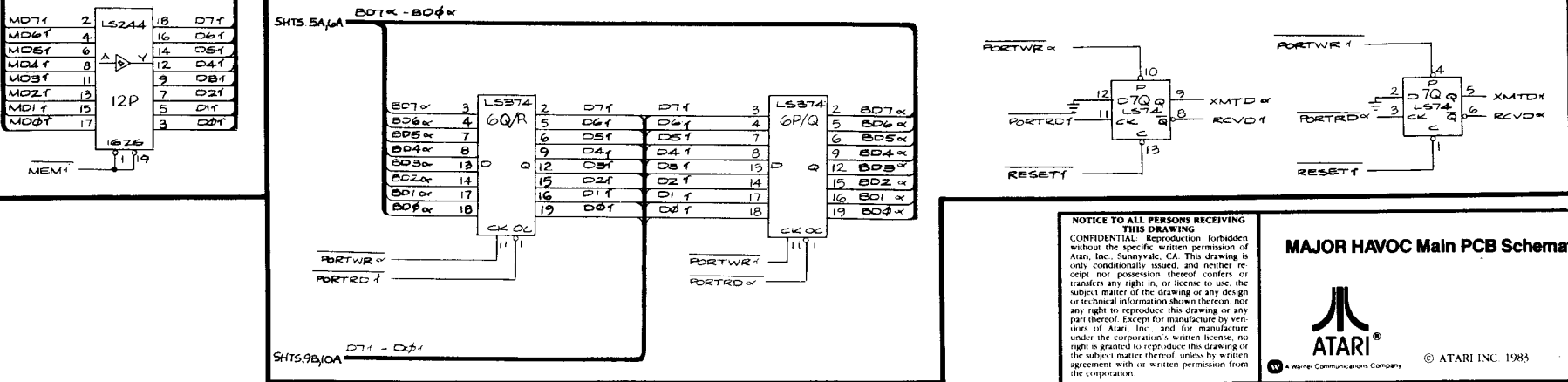
© ATARI INC. 1983

SP-252 Sheet 9A
1st printing

Gamma (γ) Microprocessor



Alpha (α)/Gamma (γ) Communication Port



NOTICE TO ALL PERSONS RECEIVING THIS DRAWING
 CONFIDENTIAL: Reproduction forbidden without the specific written permission of Atari, Inc., Sunnyvale, CA. This drawing is only conditionally issued, and neither receipt nor possession thereof confers or transfers any right in, or license to use, the subject matter of the drawing or any design or technical information shown thereon. No right is granted to reproduce this drawing or the subject matter thereof, unless by written agreement with or written permission from the corporation.

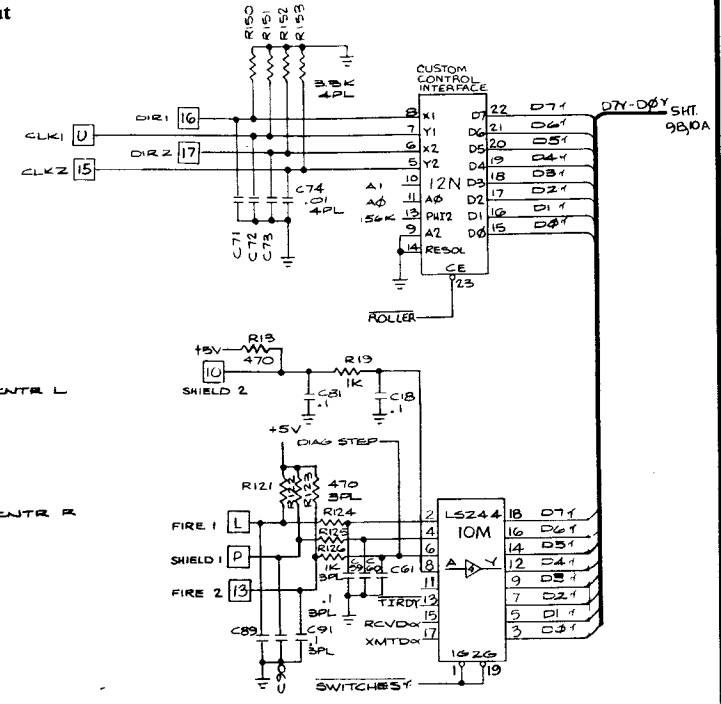
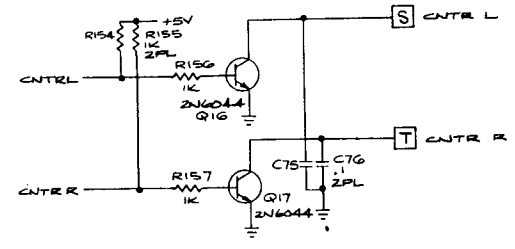
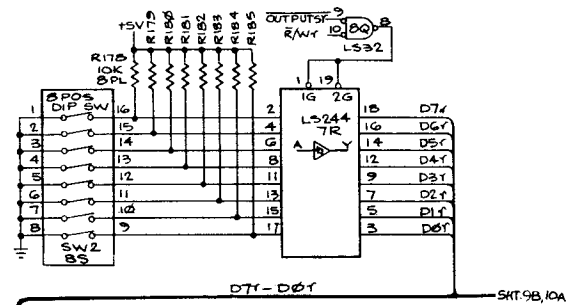
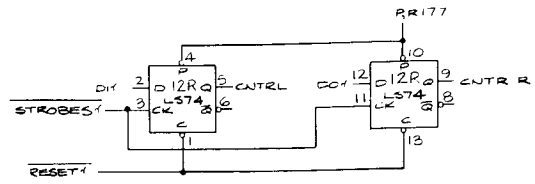
MAJOR HAVOC Main PCB Schematic Diagram



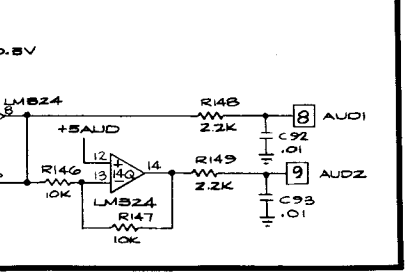
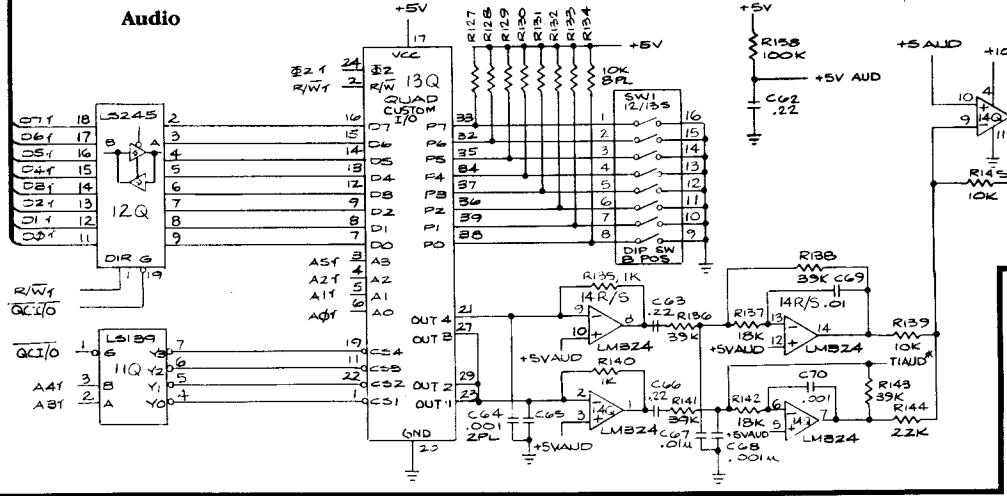
© ATARI INC 1983

SP-252 Sheet 9B
1st printing

Gamma (γ) Input/Output



Audio



NOTICE TO ALL PERSONS RECEIVING THIS DRAWING
 CONFIDENTIAL: Reproduction forbidden without the specific written permission of Atari, Inc., Sunnyvale, CA. This drawing is only conditionally issued and neither receipt nor possession thereof confers or transfers any right in, or license to use, the subject matter of the drawing or any design or technical information shown thereon, nor any right to reproduce this drawing or any part thereof. Except for manufacture by vendors of Atari, Inc. and for manufacture under the corporation's written license, no right is granted to reproduce this drawing or the subject matter thereof, unless by written agreement with or written permission from the corporation.

MAJOR HAVOC Main PCB Schematic Diagram

© ATARI INC. 1983

SP-252 Sheet 10A
 1st printing