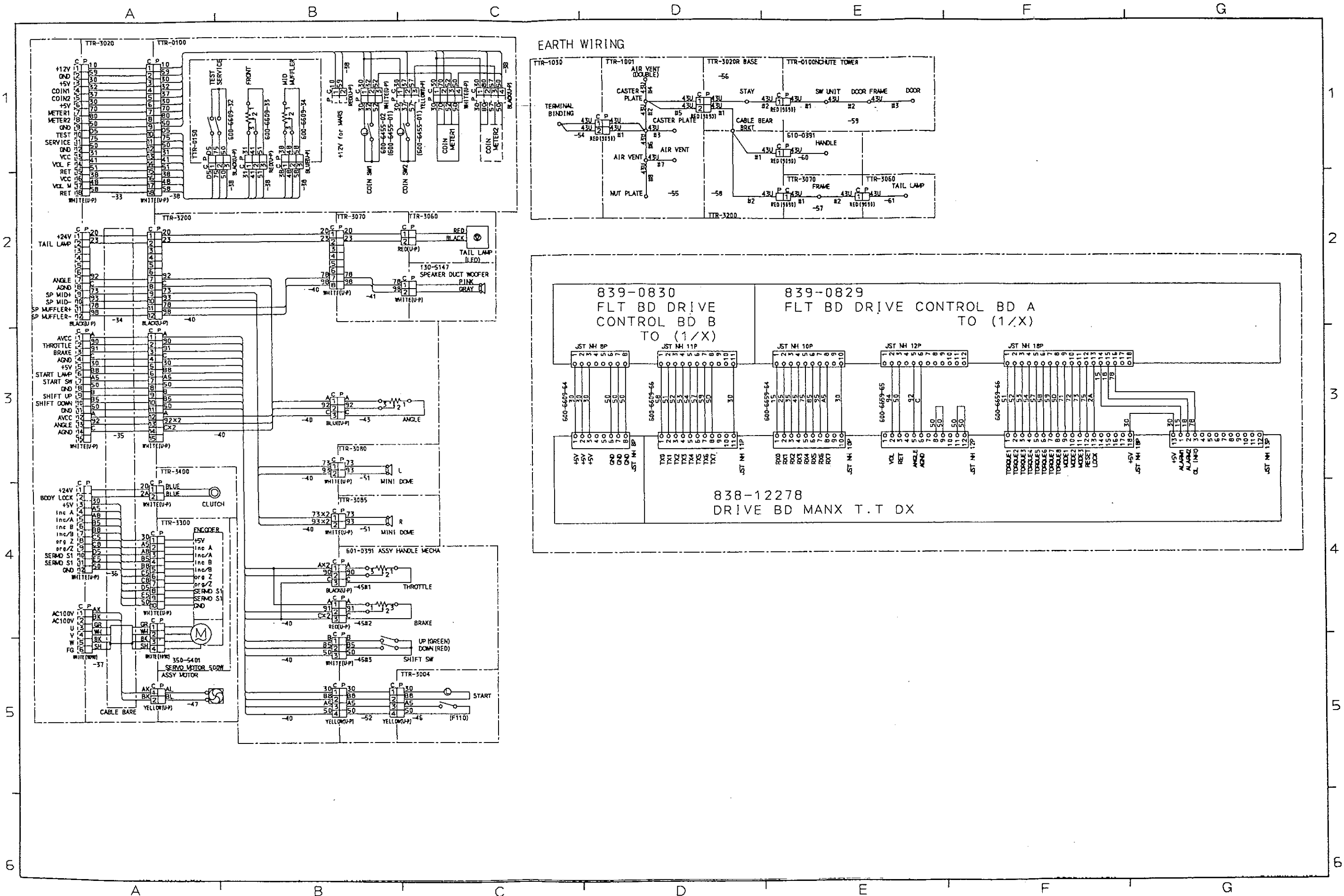
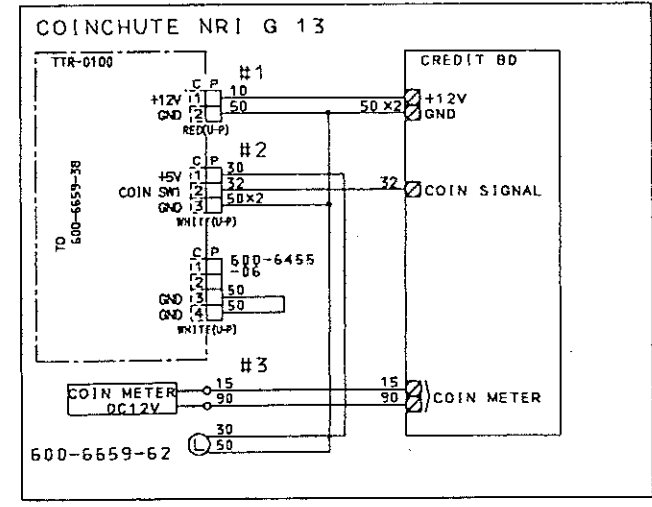
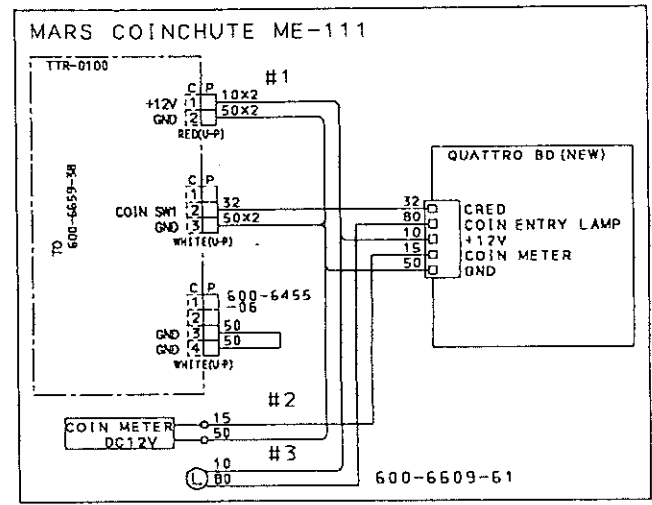
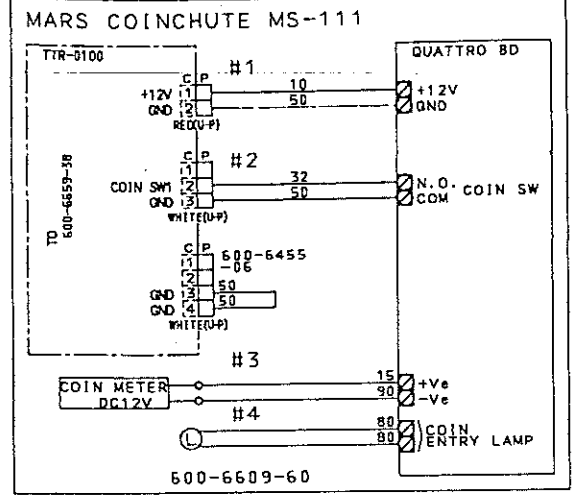


20. WIRING DIAGRAM (D-1/3)

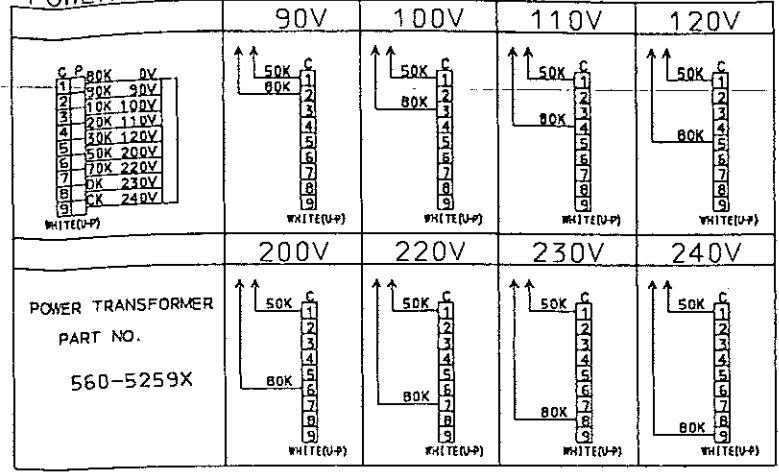


20. WIRING DIAGRAM (D-2/3)

ELECTRICAL COINCHUTE FOR EXPORT



POWER TRANSFORMER WIRING



AUTO TRANSFORMER WIRING

