



Table of Contents

For LSI Printed-Circuit Boards

Table of Contents	Sheet 1A
Marble Madness™ Control Panel Wiring Diagram (043040-01)	Sheet 1B
Marble Madness LSI Cartridge PCB Schematic Diagrams (043061-01), Sheets 2A-5B	
Power Input	Sheet 2A
Video Microprocessor Program ROM, Bank Switch ROM	Sheet 2B
Sound Program ROM, Speech, Graphic Palette Select	Sheet 3A
Graphic Bank and Picture Select	Sheet 3B
Plane 0 and 1 Graphic ROM, Plane 0 and Playfield/Motion Object Data Multiplexer and Shifter	Sheet 4A
Plane 2 and 3 Graphic ROM, Plane 2 and 3 Playfield/Motion Object Data Multiplexer and Shifter	Sheet 4B
Plane 4 and 5 Graphics ROM, Plane 6 and 7 Playfield/Motion Object Data Multiplexer and Shifter	Sheet 5A
Plane 6 and 7 Graphic ROM, Plane 6 and 7 Playfield/Motion Object Data Multiplexer and Shifter	Sheet 5B
Marble Madness Coupler PCB Schematic Diagram, Sheet 6A	

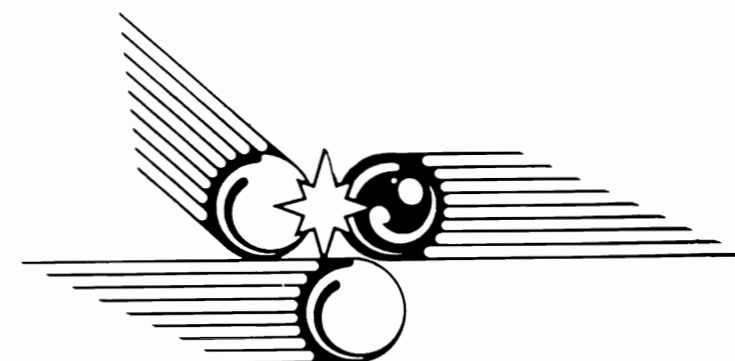
Schematic Package Supplement to

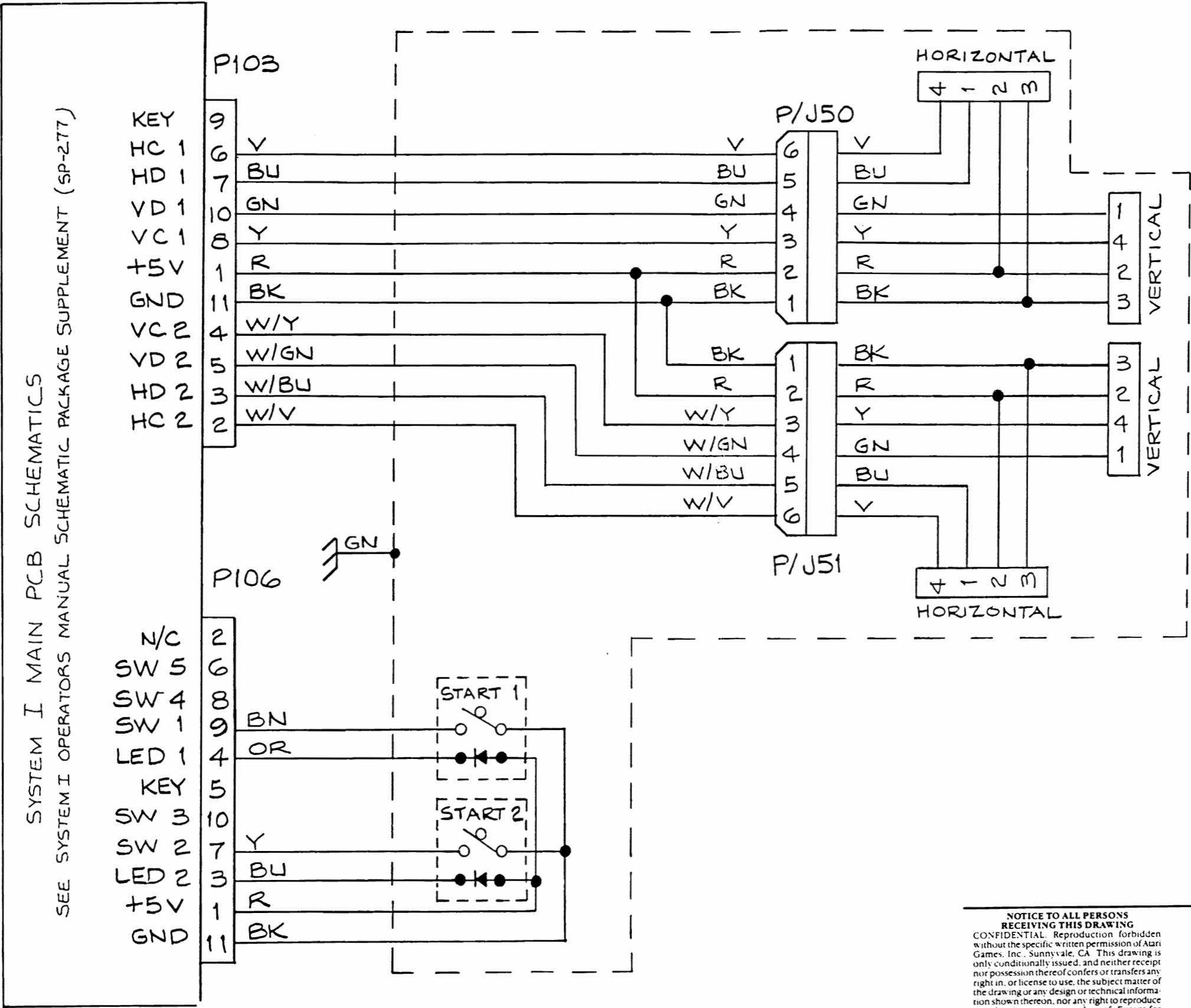


Operators Manual

NOTE

This section for LSI version of PCB only. Check your game to be sure it applies.





NOTE

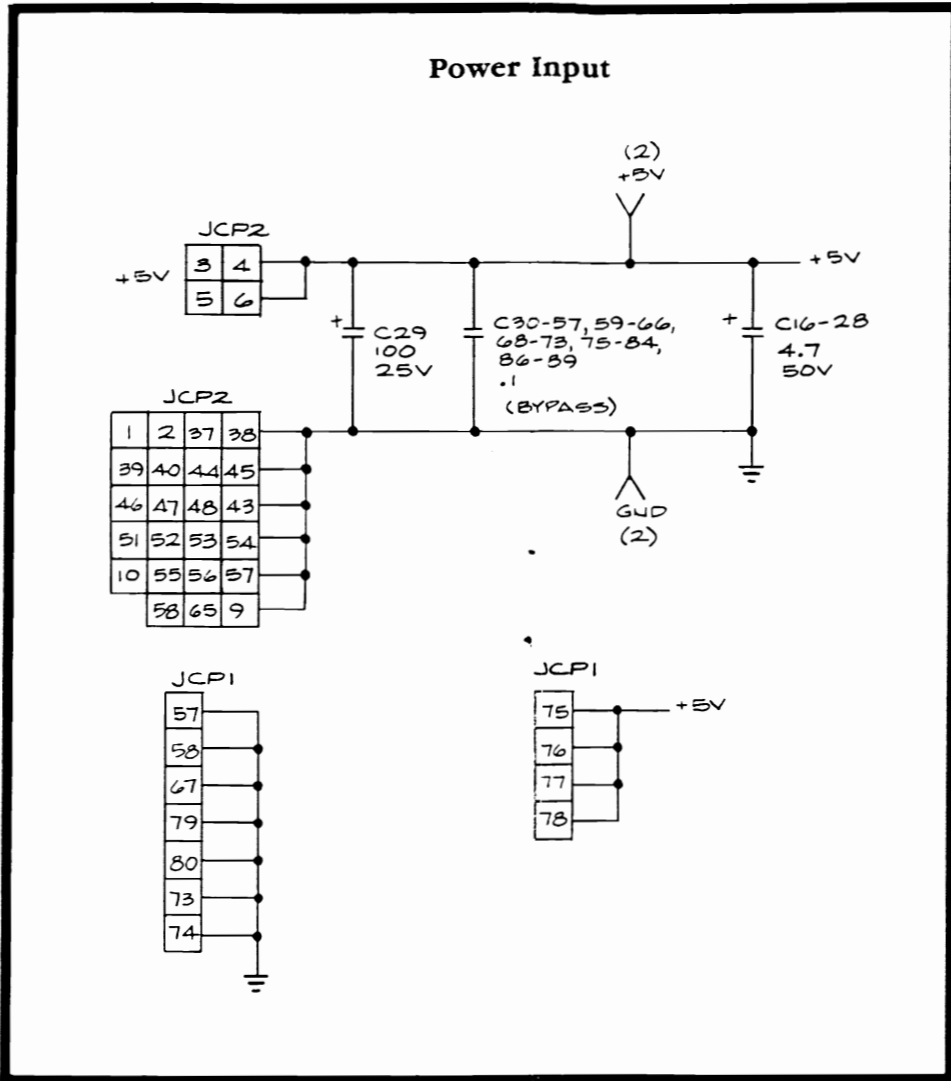
See the System I™ Operators Manual Schematic Package Supplement (SP-277) for the System I cabinet main wiring diagram.

NOTICE TO ALL PERSONS RECEIVING THIS DRAWING
 CONFIDENTIAL. Reproduction forbidden without the specific written permission of Atari Games, Inc., Sunnyvale, CA. This drawing is only conditionally issued, and neither receipt nor possession thereof confers or transfers any right in, or license to use, the subject matter of the drawing or any design or technical information shown thereon, nor any right to reproduce this drawing or any part thereof. Except for manufacture by vendors of Atari Games, Inc., and for manufacture under the corporation's written license, no right is granted to reproduce this drawing or the subject matter thereof, unless by written agreement with or written permission from the corporation.

**Marble Madness™
Control Panel Wiring Diagram**



Power Input

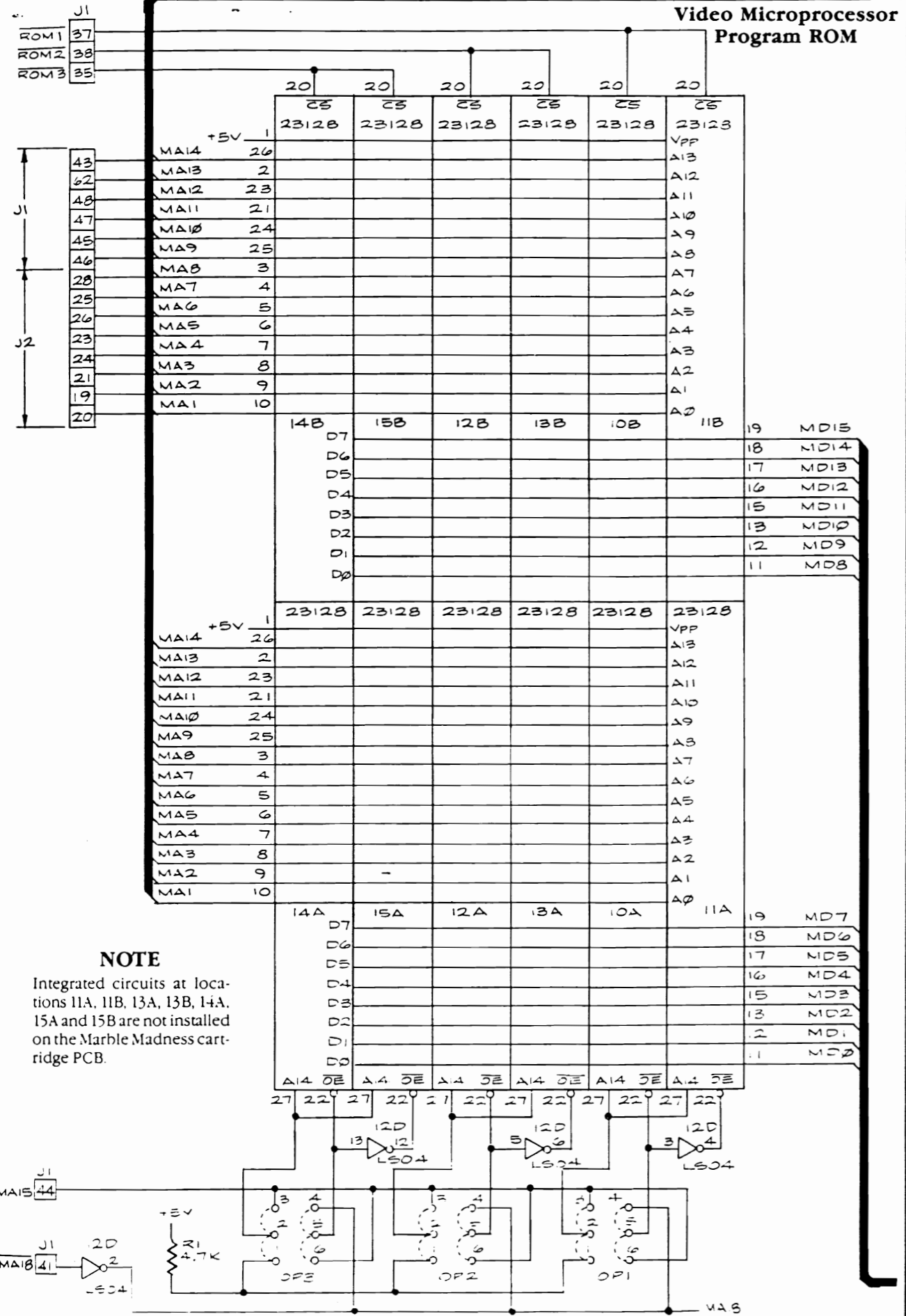


NOTICE TO ALL PERSONS RECEIVING THIS DRAWING
 CONFIDENTIAL: Reproduction forbidden without the specific written permission of Atari Games, Inc., Sunnyvale, CA. This drawing is only conditionally issued, and neither receipt nor possession thereof confers or transfers any right in, or license to use, the subject matter of the drawing or any design or technical information shown thereon, nor any right to reproduce this drawing or any part thereof. Except for manufacture by vendors of Atari Games, Inc., and for manufacture under the corporation's written license, no right is granted to reproduce this drawing or the subject matter thereof, unless by written agreement with or written permission from the corporation.

Marble Madness™ LSI Cartridge PCB Schematic Diagram



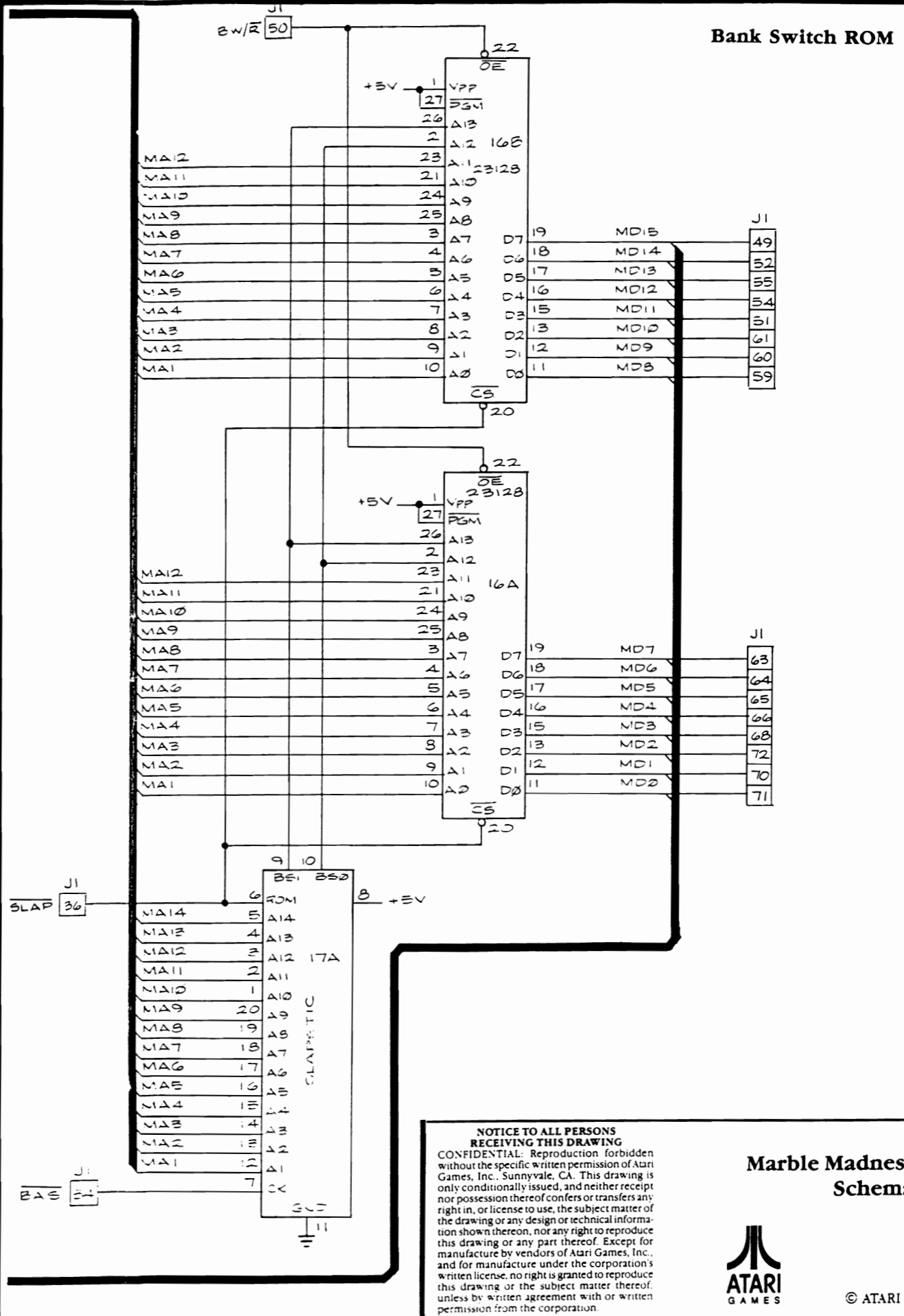
Video Microprocessor Program ROM



NOTE

Integrated circuits at locations 11A, 11B, 13A, 13B, 14A, 15A and 15B are not installed on the Marble Madness cartridge PCB.

Bank Switch ROM

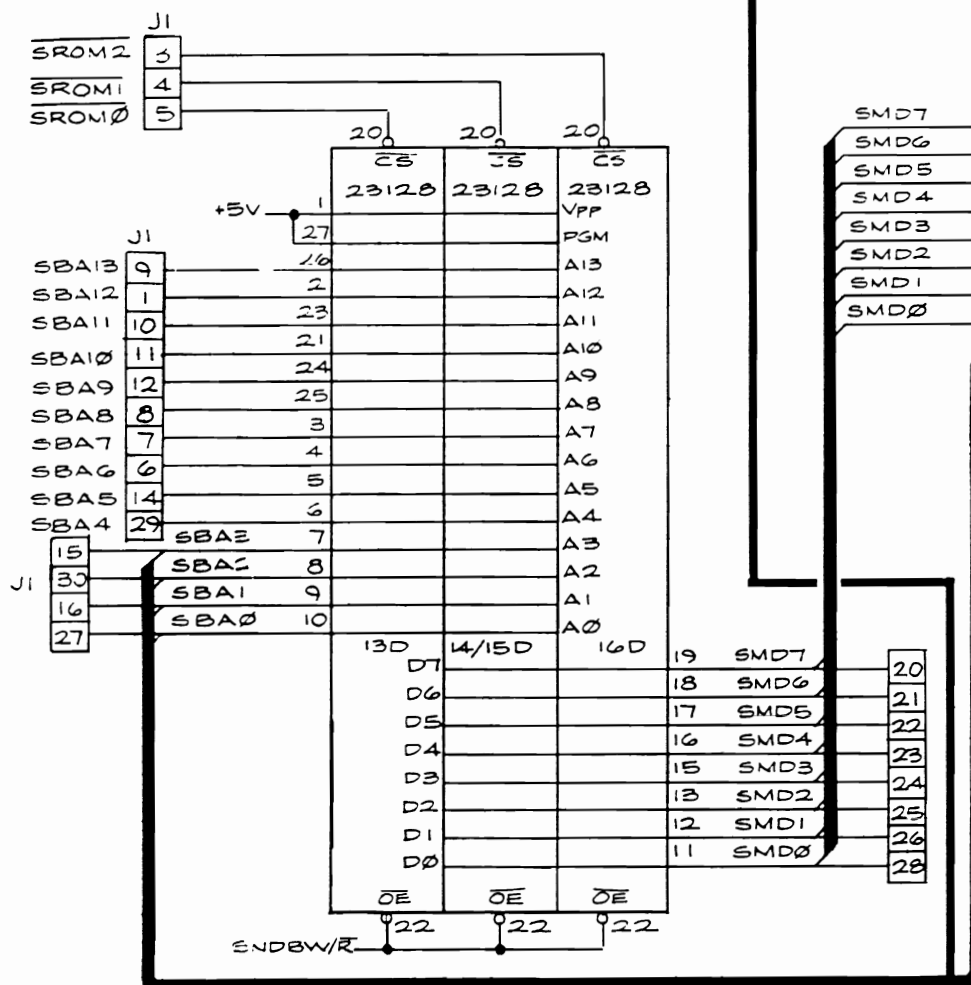


NOTICE TO ALL PERSONS RECEIVING THIS DRAWING
CONFIDENTIAL: Reproduction forbidden without the specific written permission of Atari Games, Inc., Sunnyvale, CA. This drawing is only conditionally issued, and neither receipt nor possession thereof confers or transfers any right in, or license to use, the subject matter of the drawing or any design or technical information shown thereon, nor any right to reproduce this drawing or any part thereof. Except for manufacture by vendors of Atari Games, Inc., and for manufacture under the corporation's written license, no right is granted to reproduce this drawing or the subject matter thereof, unless by written agreement with or written permission from the corporation.

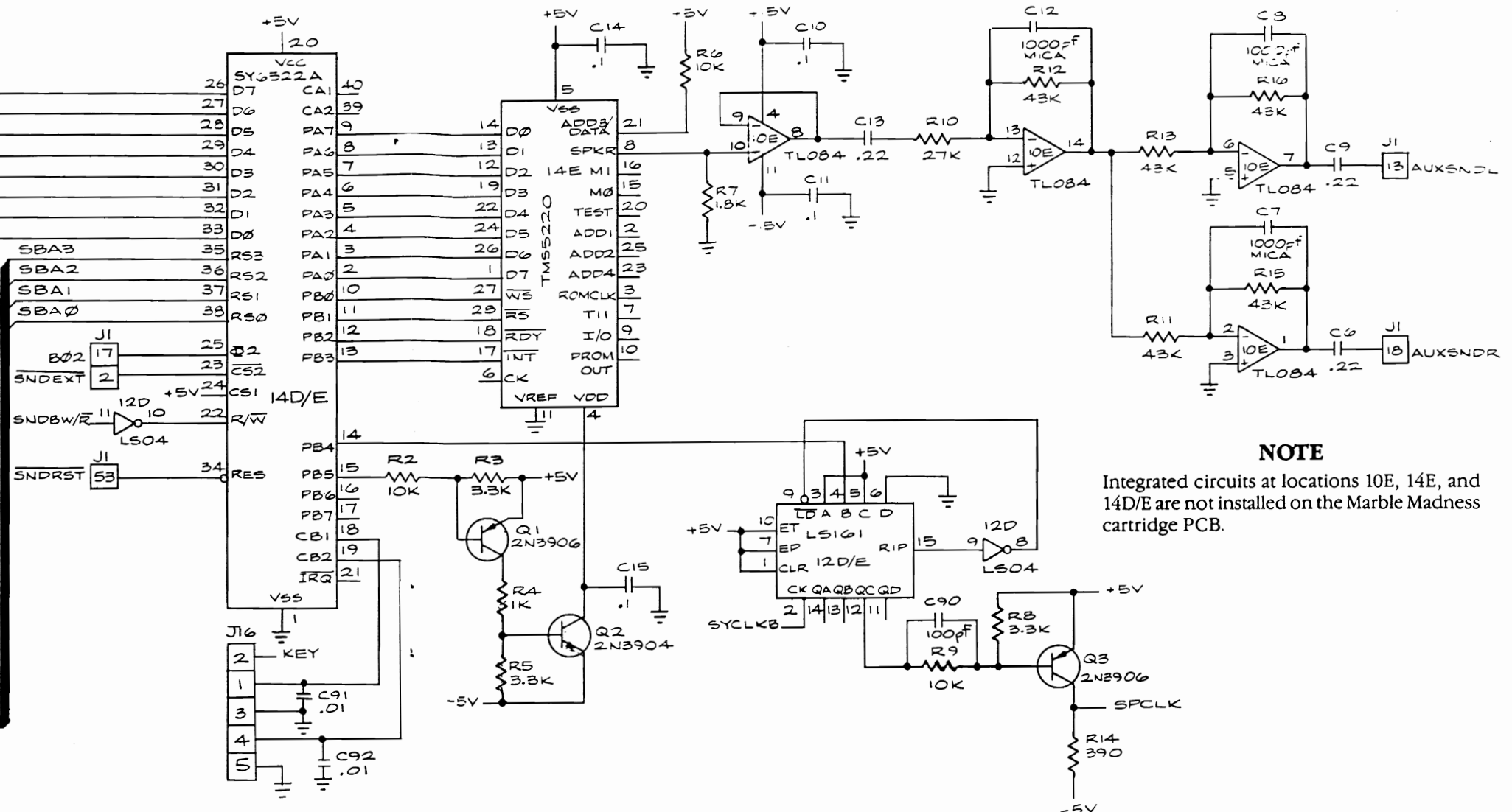
Marble Madness™ LSI Cartridge PCB Schematic Diagram



Sound Program ROM

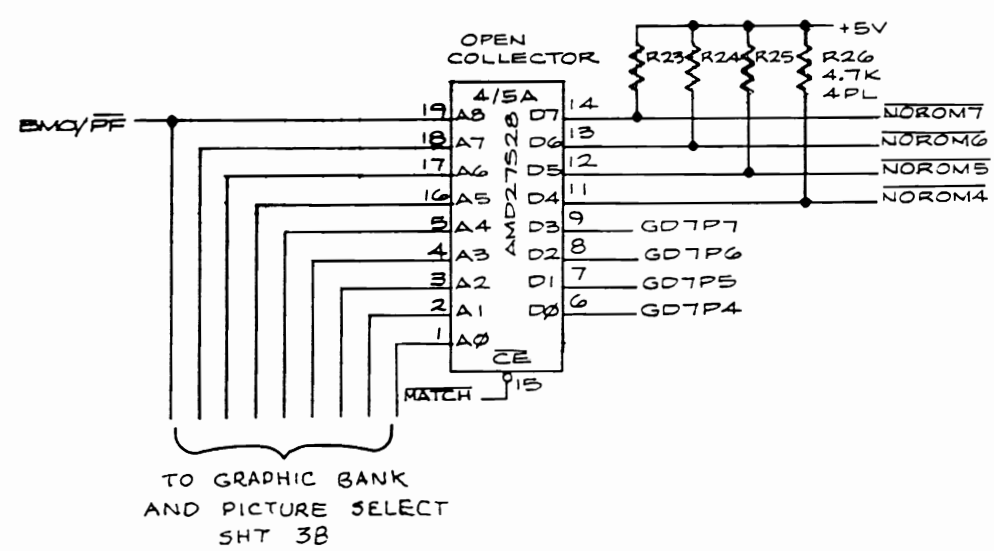


Speech



NOTE
Integrated circuits at locations 10E, 14E, and 14D/E are not installed on the Marble Madness cartridge PCB.

Graphic Palette Select

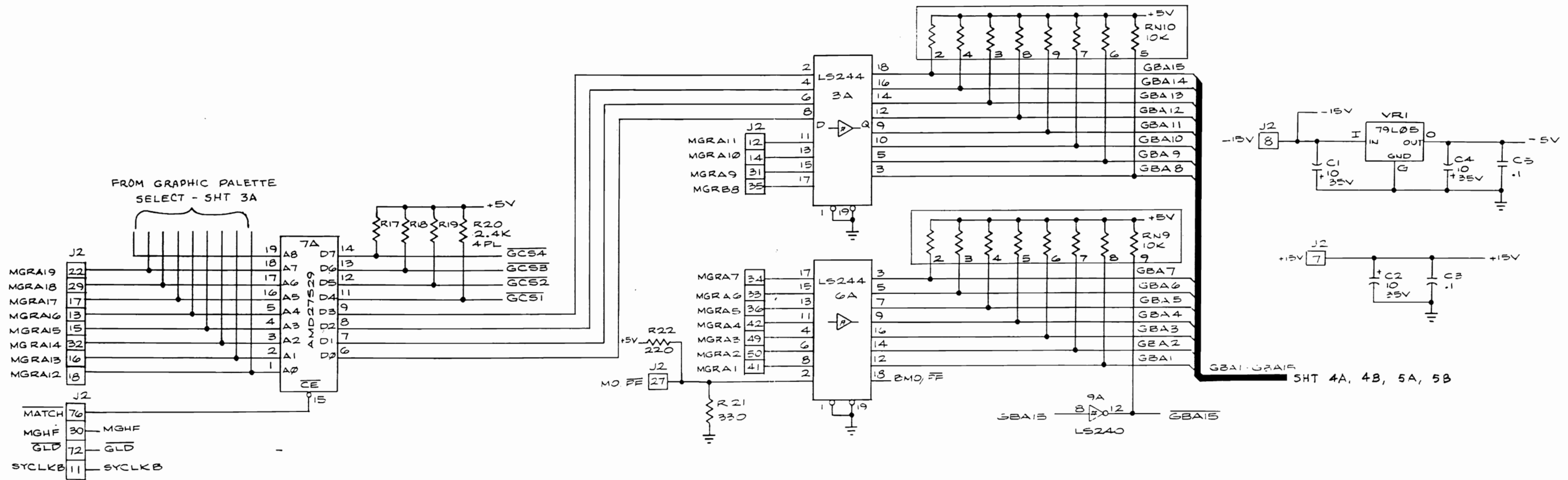


NOTICE TO ALL PERSONS RECEIVING THIS DRAWING
CONFIDENTIAL: Reproduction forbidden without the specific written permission of Atari Games, Inc., Sunnyvale, CA. This drawing is only conditionally issued, and neither receipt nor possession thereof confers or transfers any right in, or license to use, the subject matter of the drawing or any design or technical information shown thereon, nor any right to reproduce this drawing or any part thereof. Except for manufacture by vendors of Atari Games, Inc., and for manufacture under the corporation's written license, no right is granted to reproduce this drawing or the subject matter thereof, unless by written agreement with or written permission from the corporation.

Marble Madness™ LSI Cartridge PCB Schematic Diagram



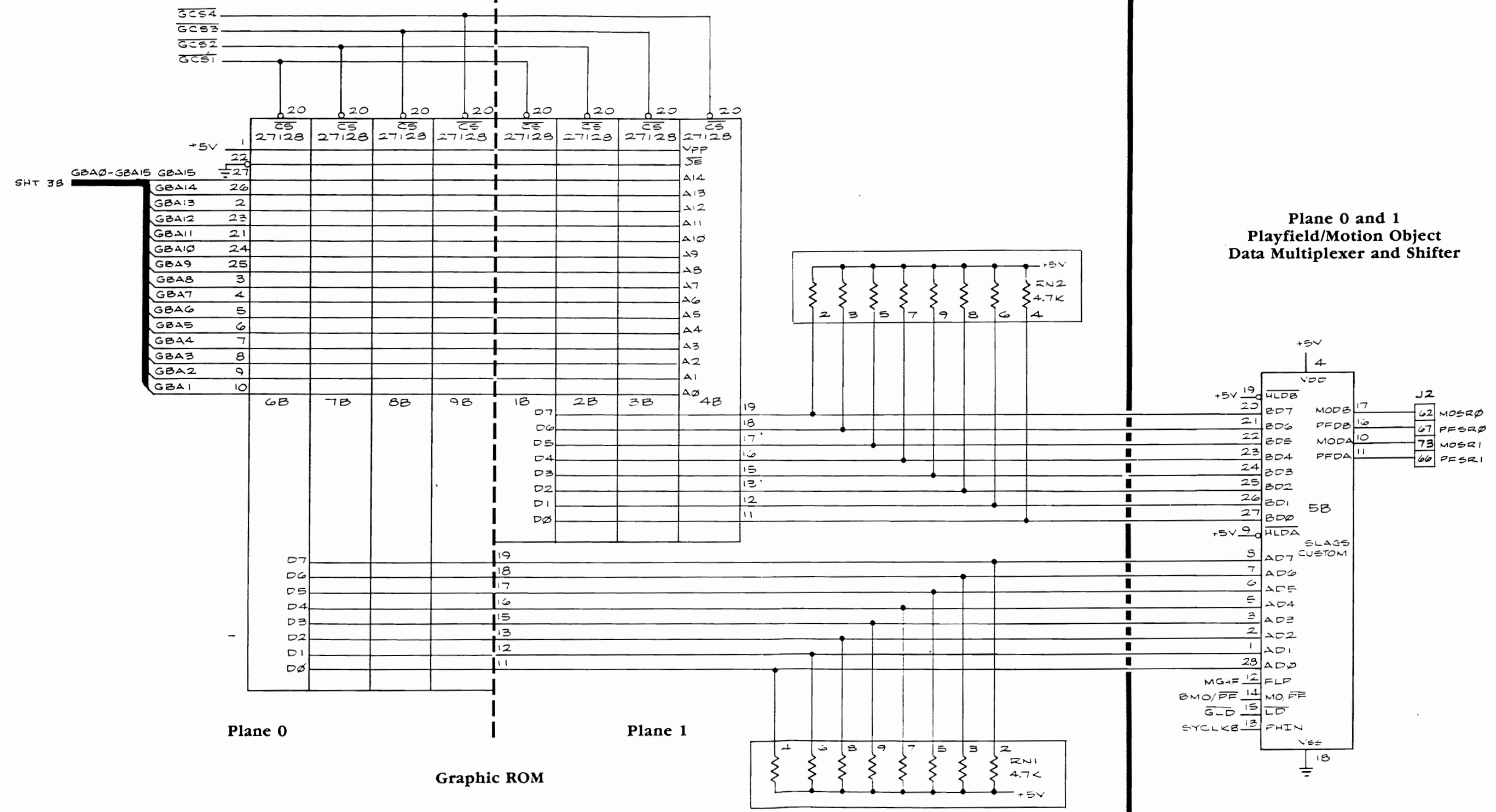
Graphic Bank and Picture Select



NOTICE TO ALL PERSONS RECEIVING THIS DRAWING
 CONFIDENTIAL. Reproduction forbidden without the specific written permission of Atari Games, Inc., Sunnyvale, CA. This drawing is only conditionally issued, and neither receipt nor possession thereof confers or transfers any right in, or license to use, the subject matter of the drawing or any design or technical information shown thereon, nor any right to reproduce this drawing or any part thereof. Except for manufacture by vendors of Atari Games, Inc., and for manufacture under the corporation's written license, no right is granted to reproduce this drawing or the subject matter thereof, unless by written agreement with or written permission from the corporation.

Marble Madness™ LSI Cartridge PCB Schematic Diagram

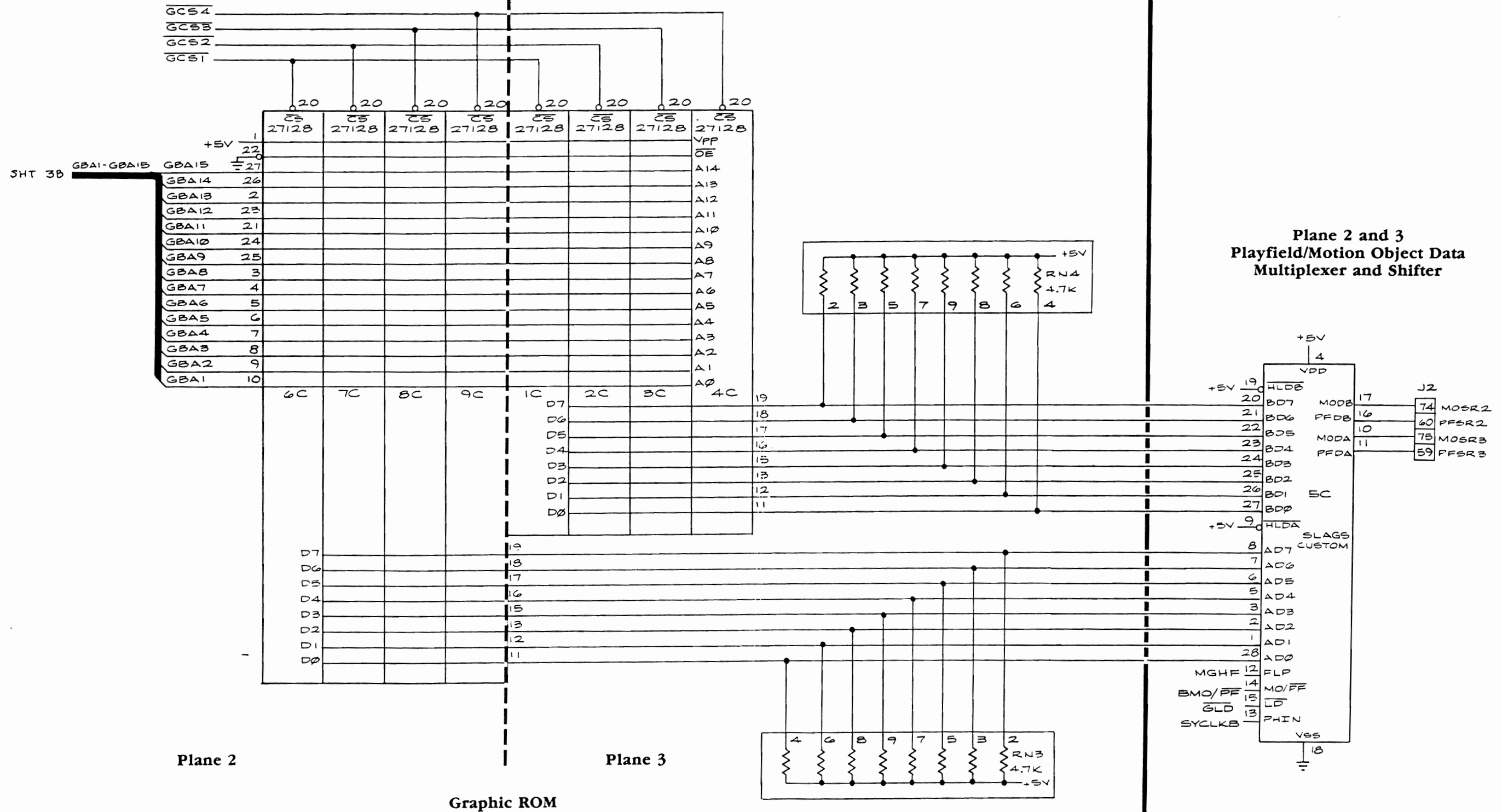




NOTICE TO ALL PERSONS RECEIVING THIS DRAWING
 CONFIDENTIAL. Reproduction forbidden without the specific written permission of Atari Games, Inc., Sunnyvale, CA. This drawing is only conditionally issued, and neither receipt nor possession thereof confers or transfers any right in, or license to use, the subject matter of the drawing or any design or technical information shown thereon, nor any right to reproduce this drawing or any part thereof. Except for manufacture by vendors of Atari Games, Inc. and for manufacture under the corporation's written license, no right is granted to reproduce this drawing or the subject matter thereof, unless by written agreement with or written permission from the corporation.

**Marble Madness™ LSI Cartridge PCB
Schematic Diagram**





Plane 2

Plane 3

Graphic ROM

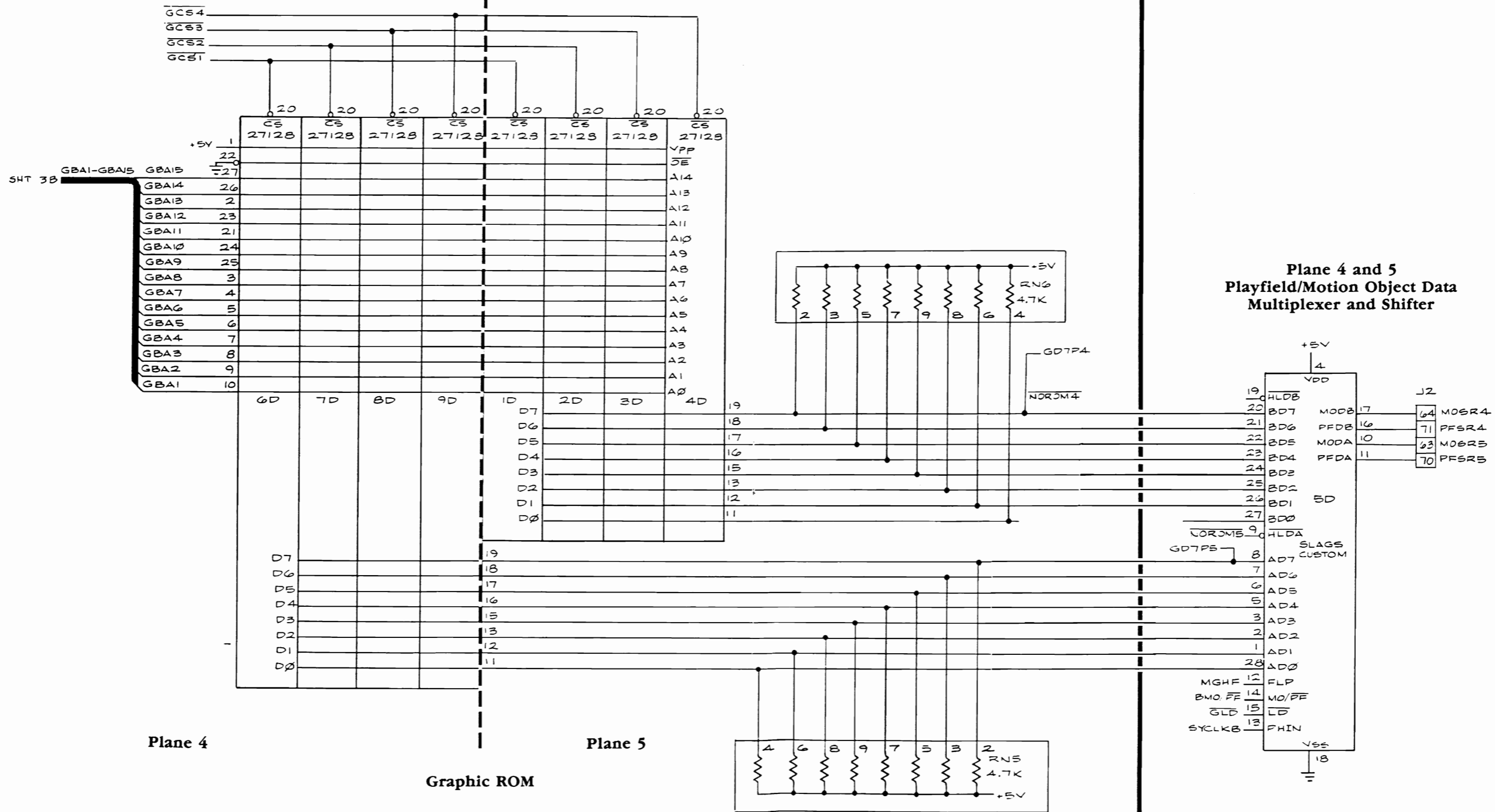
Plane 2 and 3
Playfield/Motion Object Data
Multiplexer and Shifter

NOTE
Integrated circuits at locations 3C, 4C, 7C, 8C,
and 9C are not installed on the Marble Madness
cartridge PCB.

**NOTICE TO ALL PERSONS
RECEIVING THIS DRAWING**
CONFIDENTIAL: Reproduction forbidden
without the specific written permission of Atari
Games, Inc., Sunnyvale, CA. This drawing is
only conditionally issued, and neither receipt
nor possession thereof confers or transfers any
right in, or license to use, the subject matter of
the drawing or any design or technical informa-
tion shown thereon, nor any right to reproduce
this drawing or any part thereof. Except for
manufacture by vendors of Atari Games, Inc.,
and for manufacture under the corporation's
written license, no right is granted to reproduce
this drawing or the subject matter thereof,
unless by written agreement with or written
permission from the corporation.

**Marble Madness™ LSI Cartridge PCB
Schematic Diagram**





Plane 4

Plane 5

Graphic ROM

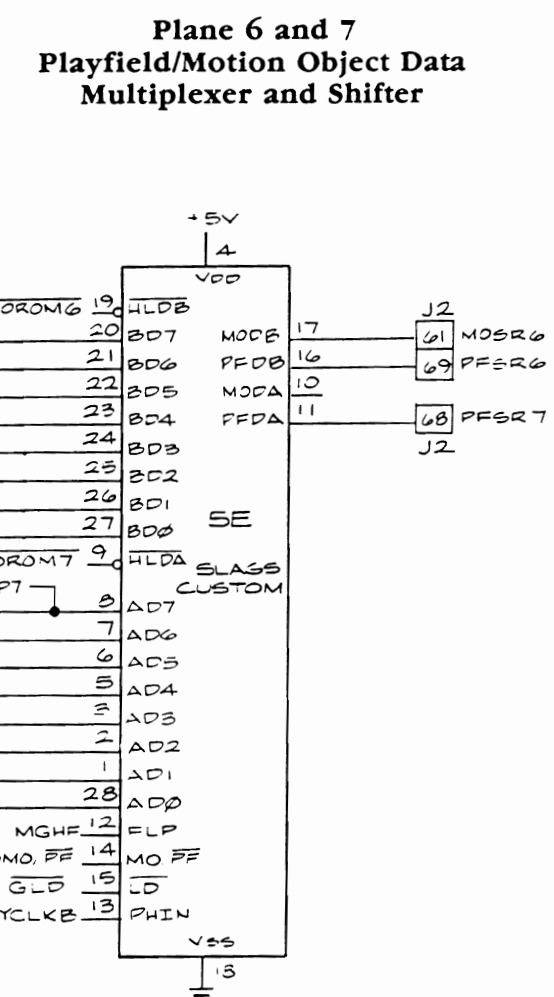
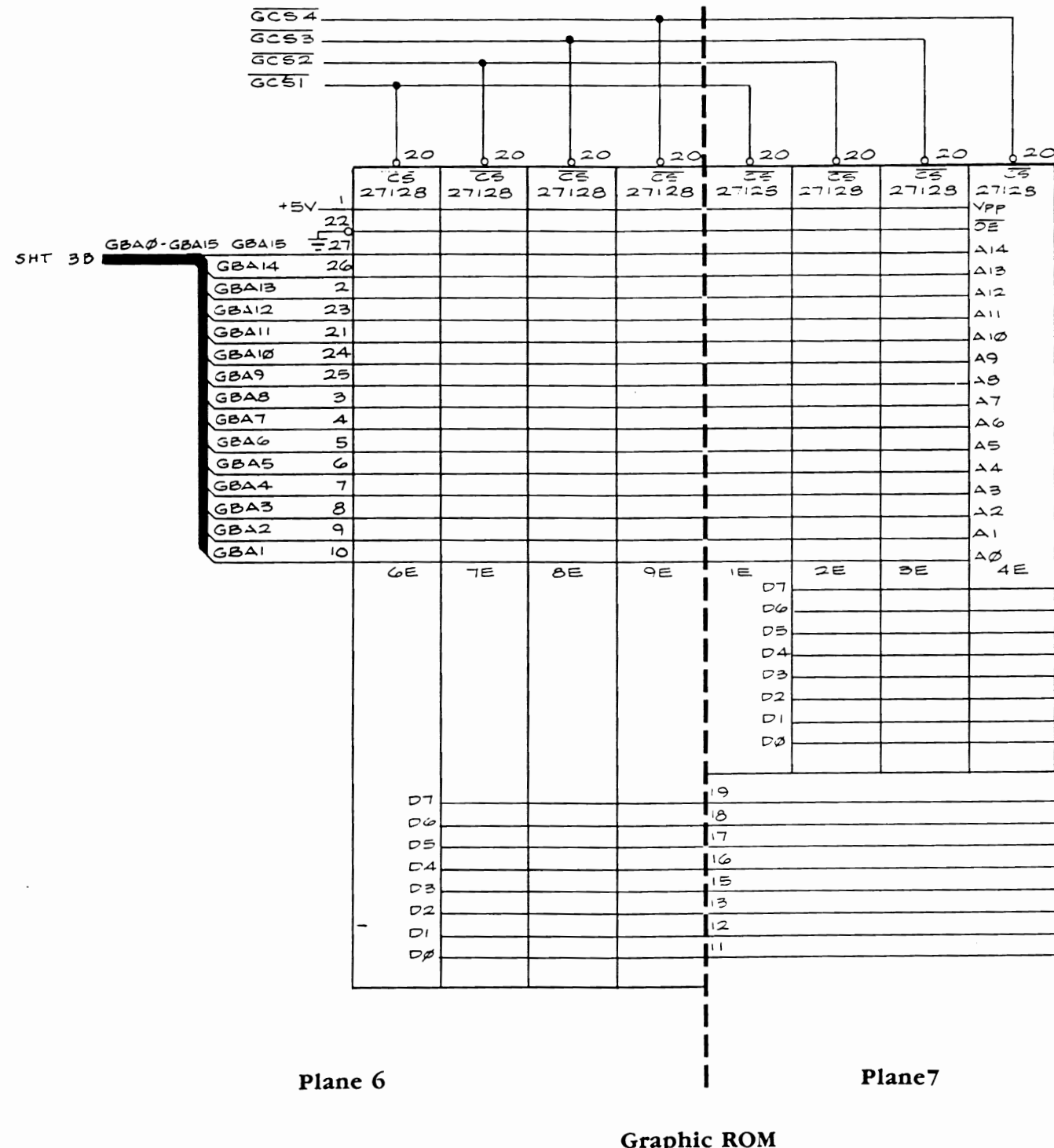
Plane 4 and 5
Playfield/Motion Object Data
Multiplexer and Shifter

NOTE
Integrated circuits at locations 2D, 3D, 4D, 6D, 7D, 8D, and 9D are not installed on the Marble Madness cartridge PCB.

NOTICE TO ALL PERSONS RECEIVING THIS DRAWING
CONFIDENTIAL: Reproduction forbidden without the specific written permission of Atari Games, Inc., Sunnyvale, CA. This drawing is only conditionally issued, and neither receipt nor possession thereof confers or transfers any right in, or license to use, the subject matter of the drawing or any design or technical information shown thereon, nor any right to reproduce this drawing or any part thereof. Except for manufacture by vendors of Atari Games, Inc., and for manufacture under the corporation's written license, no right is granted to reproduce this drawing or the subject matter thereof, unless by written agreement with or written permission from the corporation.

Marble Madness™ LSI Cartridge PCB Schematic Diagram





Plane 6

Plane 7

Graphic ROM

Plane 6 and 7
Playfield/Motion Object Data
Multiplexer and Shifter

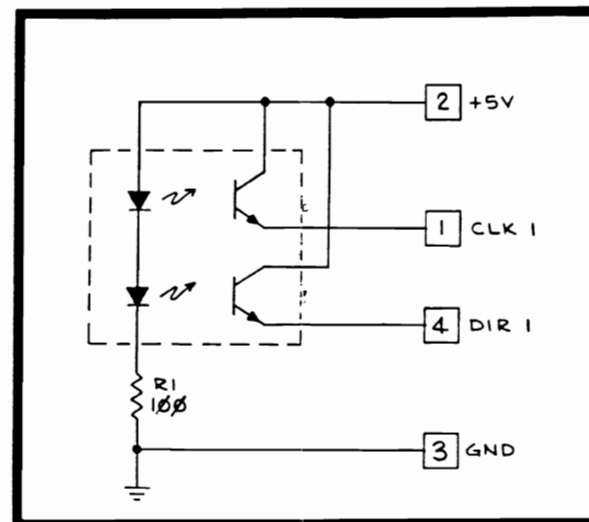
NOTE

Integrated circuits at locations 1E, 2E, 3E, 4E, 6E, 7E, 8E, and 9E are not installed on the Marble Madness cartridge PCB.

NOTICE TO ALL PERSONS RECEIVING THIS DRAWING
CONFIDENTIAL: Reproduction forbidden without the specific written permission of Atari Games, Inc., Sunnyvale, CA. This drawing is only conditionally issued, and neither receipt nor possession thereof confers or transfers any right in, or license to use, the subject matter of the drawing or any design or technical information shown thereon, nor any right to reproduce this drawing or any part thereof. Except for manufacture by vendors of Atari Games, Inc., and for manufacture under the corporation's written license, no right is granted to reproduce this drawing or the subject matter thereof, unless by written agreement with or written permission from the corporation.

Marble Madness™ LSI Cartridge PCB Schematic Diagram





NOTICE TO ALL PERSONS RECEIVING THIS DRAWING
 CONFIDENTIAL: Reproduction forbidden without the specific written permission of Atari Games, Inc., Sunnyvale, CA. This drawing is only conditionally issued, and neither receipt nor possession thereof confers or transfers any right in, or license to use, the subject matter of the drawing or any design or technical information shown thereon, nor any right to reproduce this drawing or any part thereof. Except for manufacture by vendors of Atari Games, Inc., and for manufacture under the corporation's written license, no right is granted to reproduce this drawing or the subject matter thereof, unless by written agreement with or written permission from the corporation.

Marble Madness™ LSI Coupler PCB Schematic Diagram



© ATARI GAMES, INC. 1985

SP-276-A Sheet 6A
 1st printing