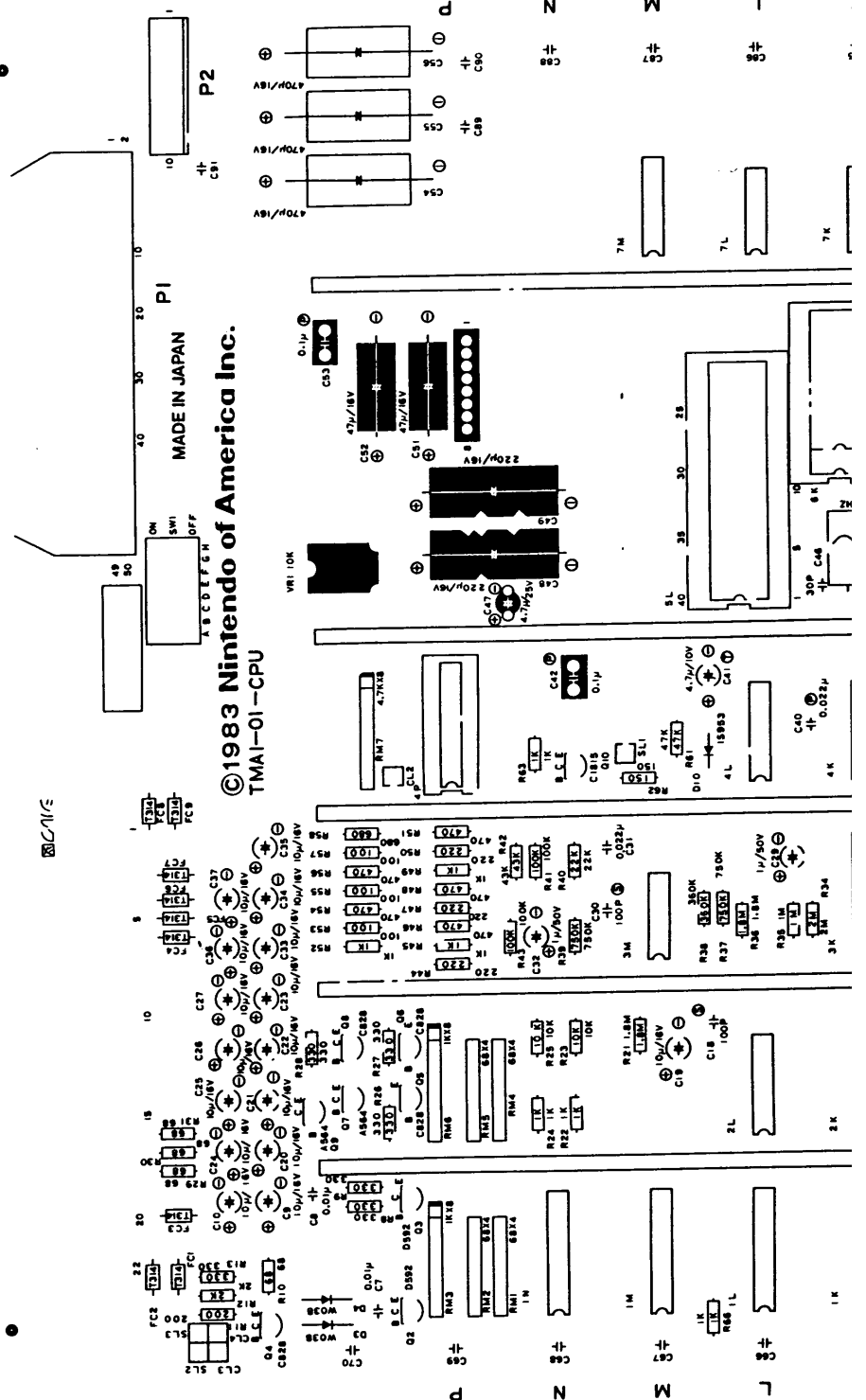


A TMA1-CPU ASSEMBLY
 ©1983 Nintendo of America Inc.

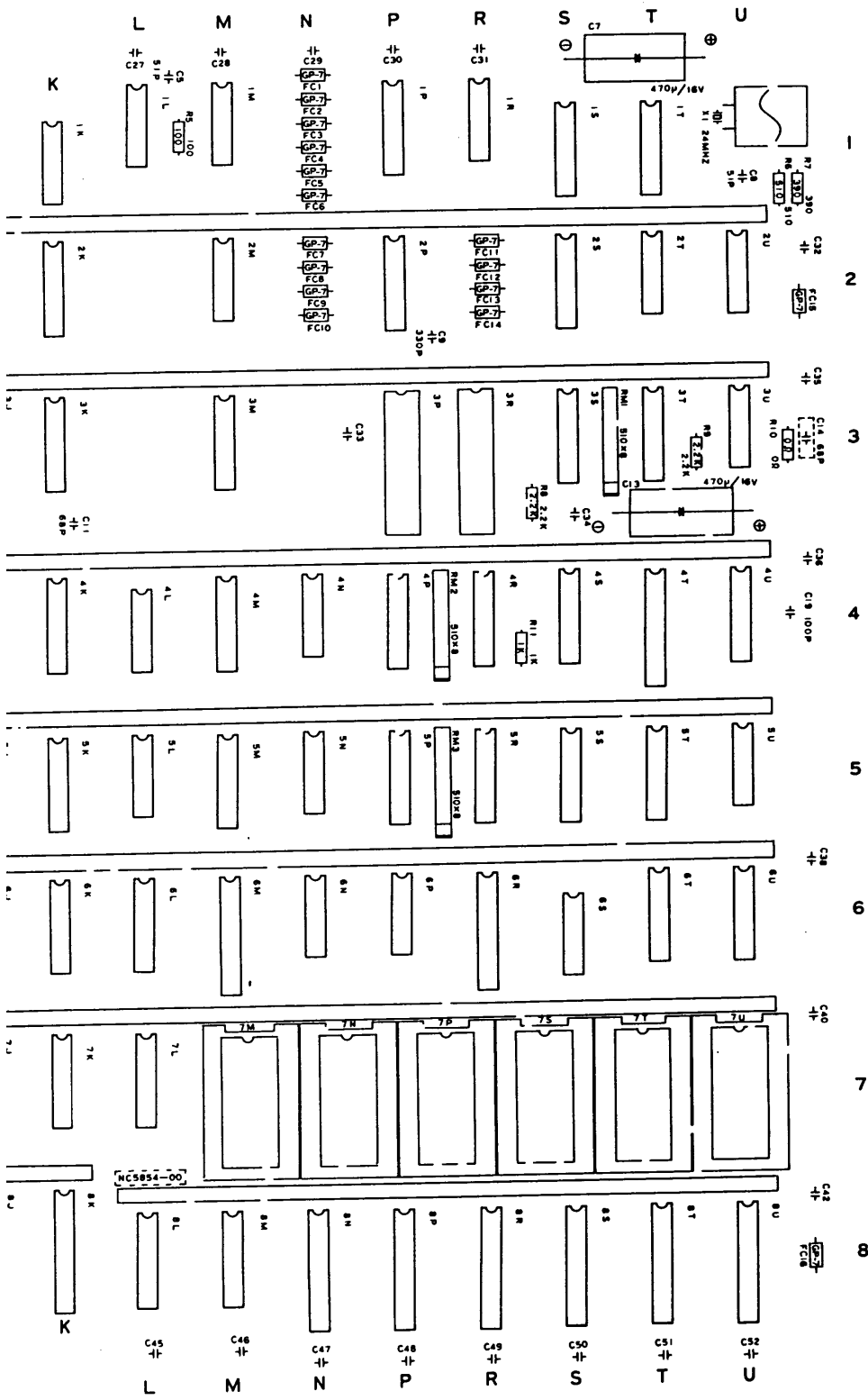
© 1983



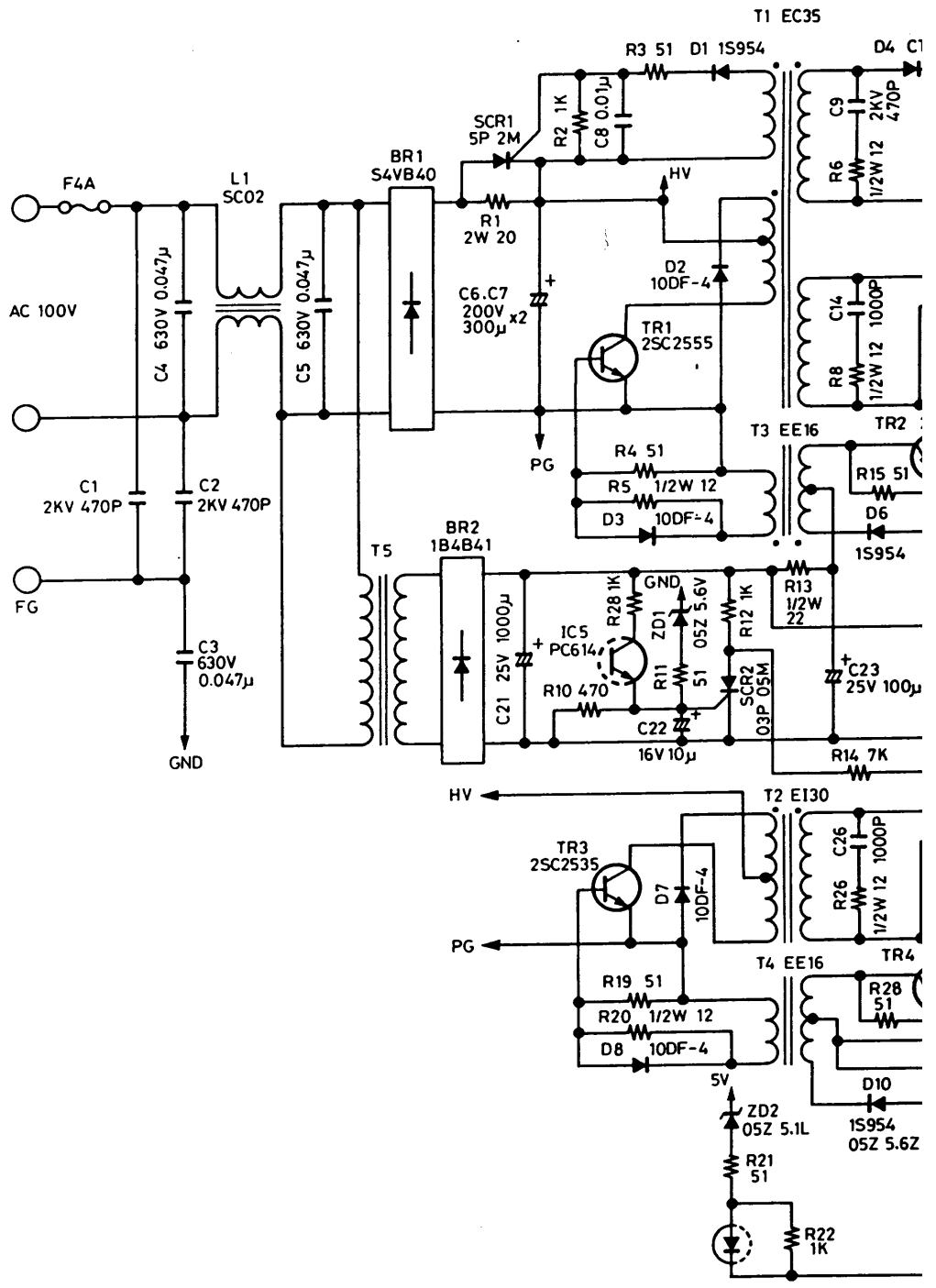
MADE IN JAPAN

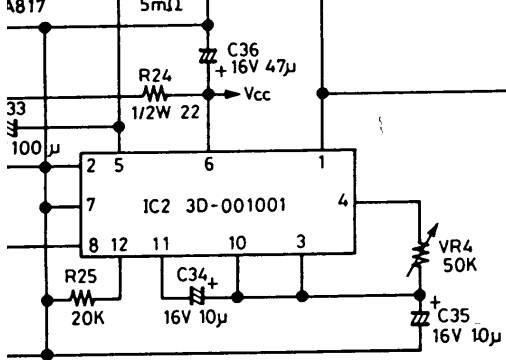
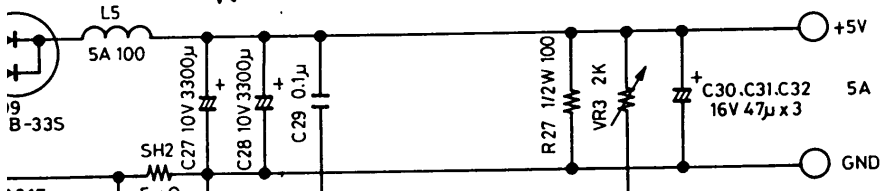
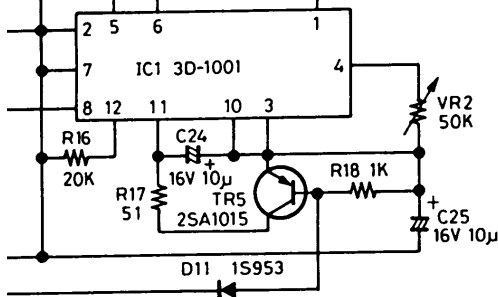
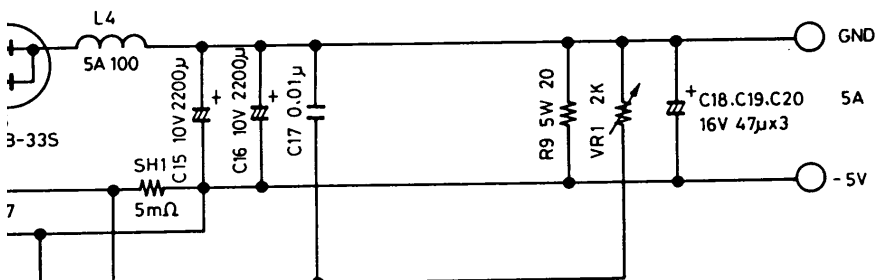
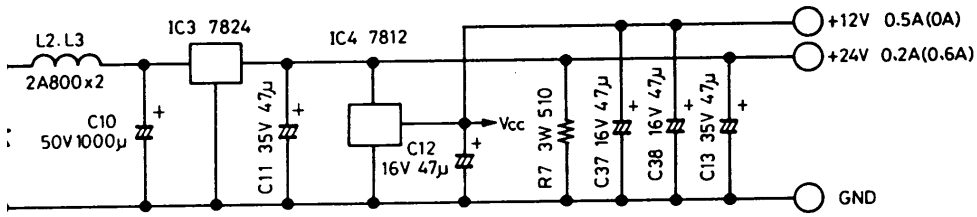
©1983 Nintendo of America Inc.
TMA1-01-CPU

- Component list for the TMA1-01-CPU board:
- C1 0.1μF
 - C2 0.1μF
 - C3 0.1μF
 - C4 0.1μF
 - C5 0.1μF
 - C6 0.1μF
 - C7 0.1μF
 - C8 0.1μF
 - C9 0.1μF
 - C10 0.1μF
 - C11 0.1μF
 - C12 0.1μF
 - C13 0.1μF
 - C14 0.1μF
 - C15 0.1μF
 - C16 0.1μF
 - C17 0.1μF
 - C18 0.1μF
 - C19 0.1μF
 - C20 0.1μF
 - C21 0.1μF
 - C22 0.1μF
 - C23 0.1μF
 - C24 0.1μF
 - C25 0.1μF
 - C26 0.1μF
 - C27 0.1μF
 - C28 0.1μF
 - C29 0.1μF
 - C30 0.1μF
 - C31 0.1μF
 - C32 0.1μF
 - C33 0.1μF
 - C34 0.1μF
 - C35 0.1μF
 - C36 0.1μF
 - C37 0.1μF
 - C38 0.1μF
 - C39 0.1μF
 - C40 0.1μF
 - C41 0.1μF
 - C42 0.1μF
 - C43 0.1μF
 - C44 0.1μF
 - C45 0.1μF
 - C46 0.1μF
 - C47 0.1μF
 - R1 10K
 - R2 10K
 - R3 10K
 - R4 10K
 - R5 10K
 - R6 10K
 - R7 10K
 - R8 10K
 - R9 10K
 - R10 10K
 - R11 10K
 - R12 10K
 - R13 10K
 - R14 10K
 - R15 10K
 - R16 10K
 - R17 10K
 - R18 10K
 - R19 10K
 - R20 10K
 - R21 10K
 - R22 10K
 - R23 10K
 - R24 10K
 - R25 10K
 - R26 10K
 - R27 10K
 - R28 10K
 - R29 10K
 - R30 10K
 - R31 10K
 - R32 10K
 - R33 10K
 - R34 10K
 - R35 10K
 - R36 10K
 - R37 10K
 - R38 10K
 - R39 10K
 - R40 10K
 - R41 10K
 - R42 10K
 - R43 10K
 - R44 10K
 - R45 10K
 - R46 10K
 - R47 10K
 - R48 10K
 - R49 10K
 - R50 10K
 - R51 10K
 - R52 10K
 - R53 10K
 - R54 10K
 - R55 10K
 - R56 10K
 - R57 10K
 - R58 10K
 - R59 10K
 - R60 10K
 - R61 10K
 - R62 10K
 - R63 10K
 - R64 10K
 - R65 10K
 - R66 10K
 - R67 10K
 - R68 10K
 - R69 10K
 - R70 10K
 - R71 10K
 - R72 10K
 - R73 10K
 - R74 10K
 - R75 10K
 - R76 10K
 - R77 10K
 - R78 10K
 - R79 10K
 - R80 10K
 - R81 10K
 - R82 10K
 - R83 10K
 - R84 10K
 - R85 10K
 - R86 10K
 - R87 10K
 - R88 10K
 - R89 10K
 - R90 10K
 - R91 10K
 - R92 10K
 - R93 10K
 - R94 10K
 - R95 10K
 - R96 10K
 - R97 10K
 - R98 10K
 - R99 10K
 - R100 10K

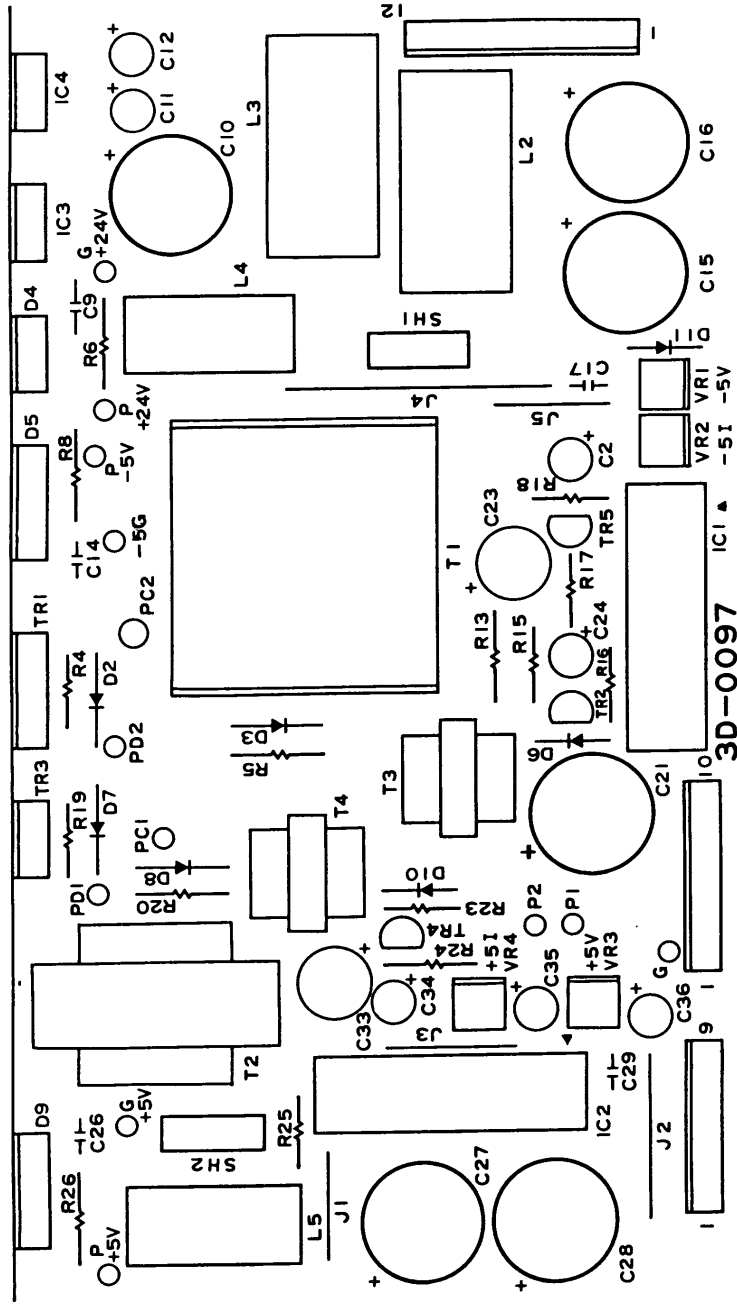


NC5894-00

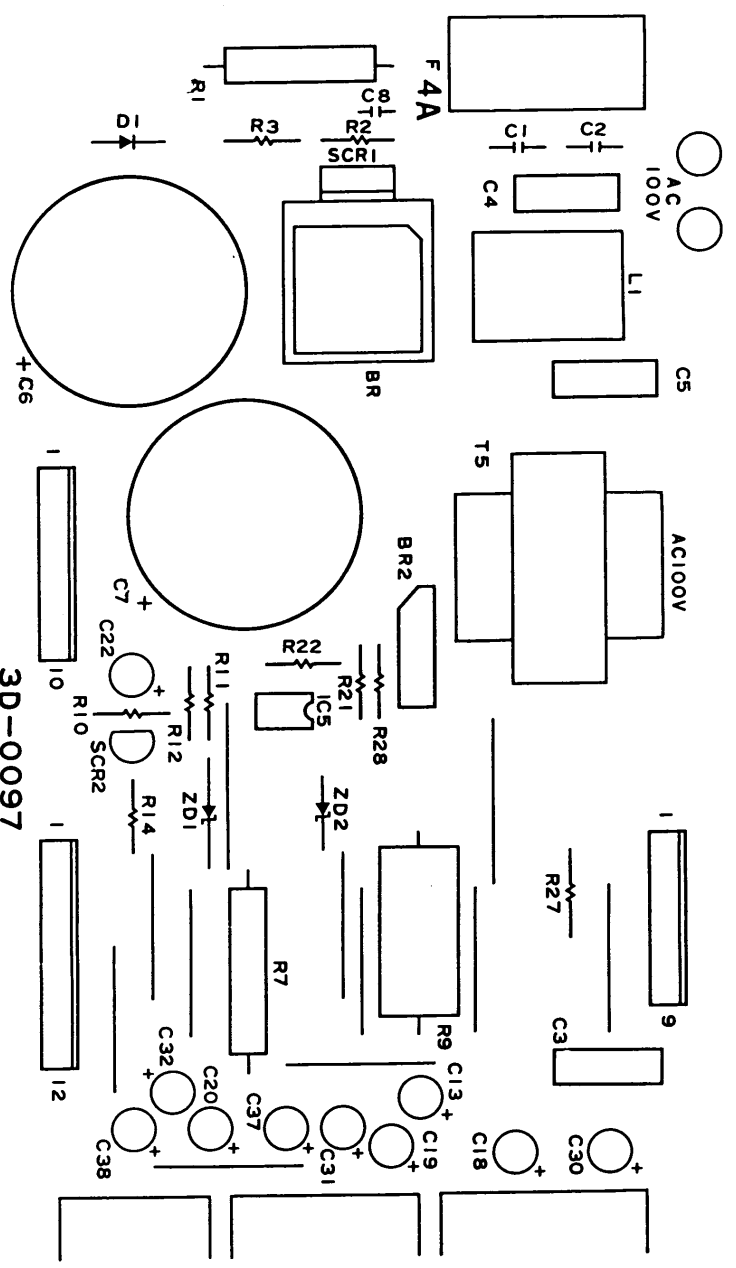




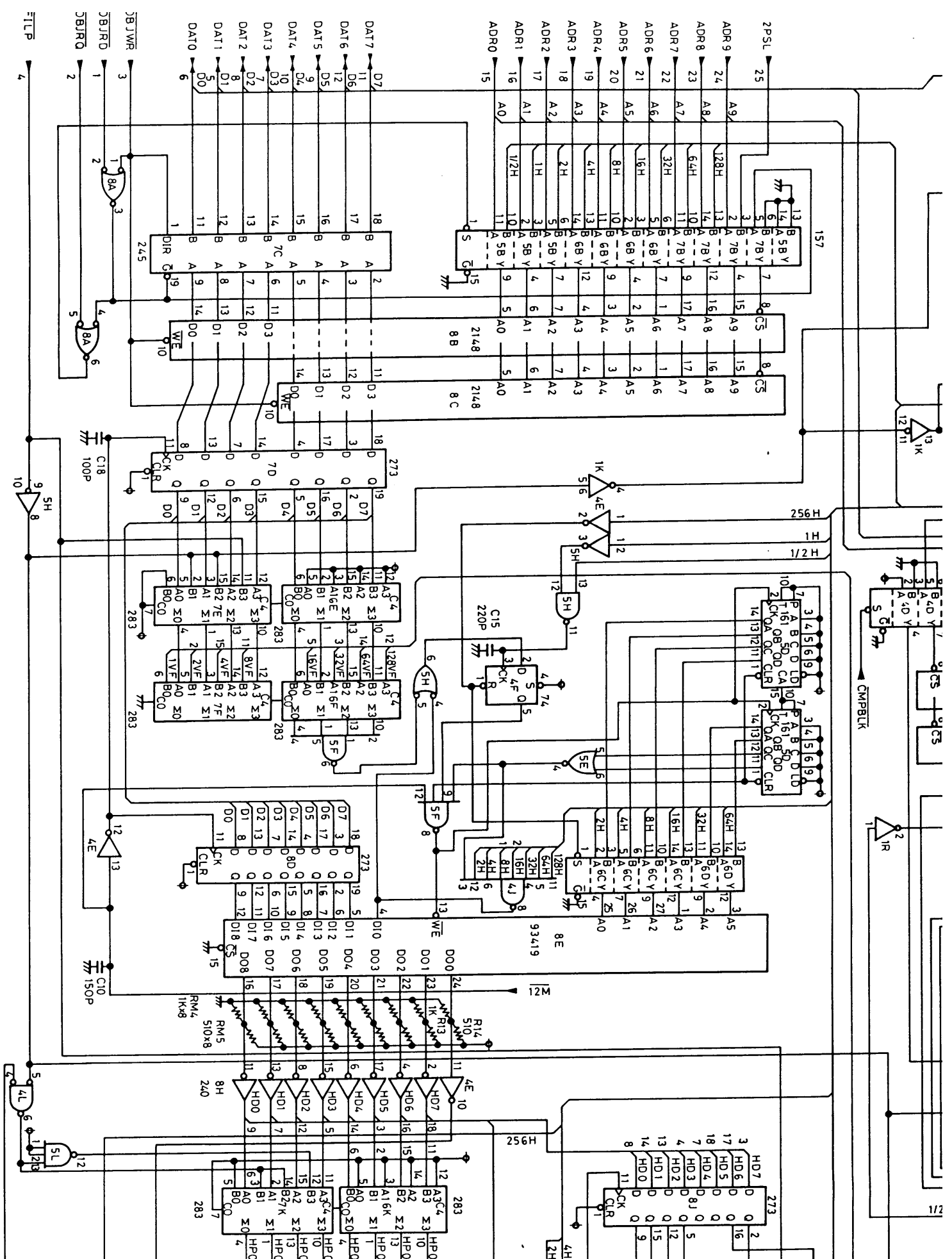
PP-7B POWER SUPPLY SCHEMATIC
 ©1983 Nintendo of America Inc.

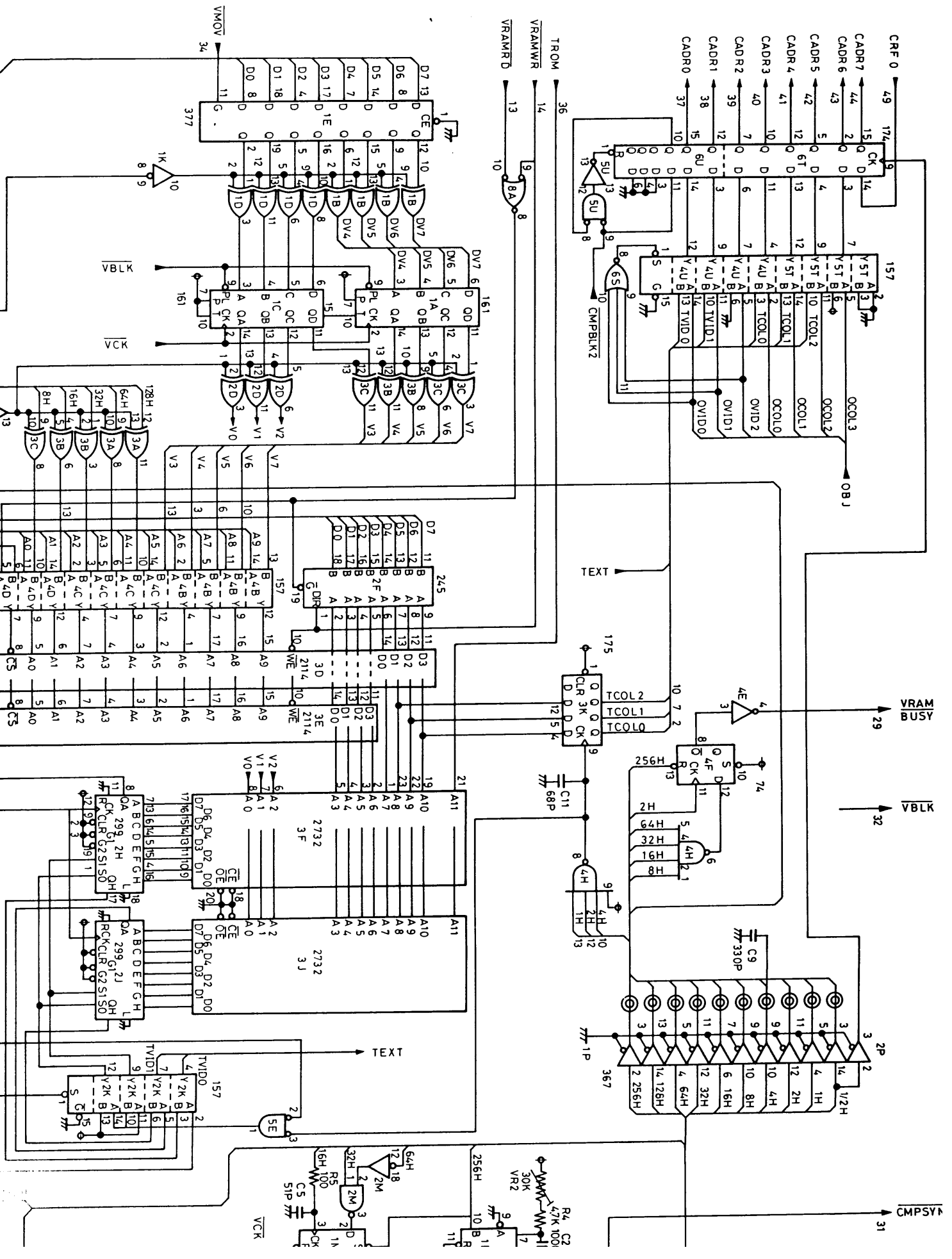


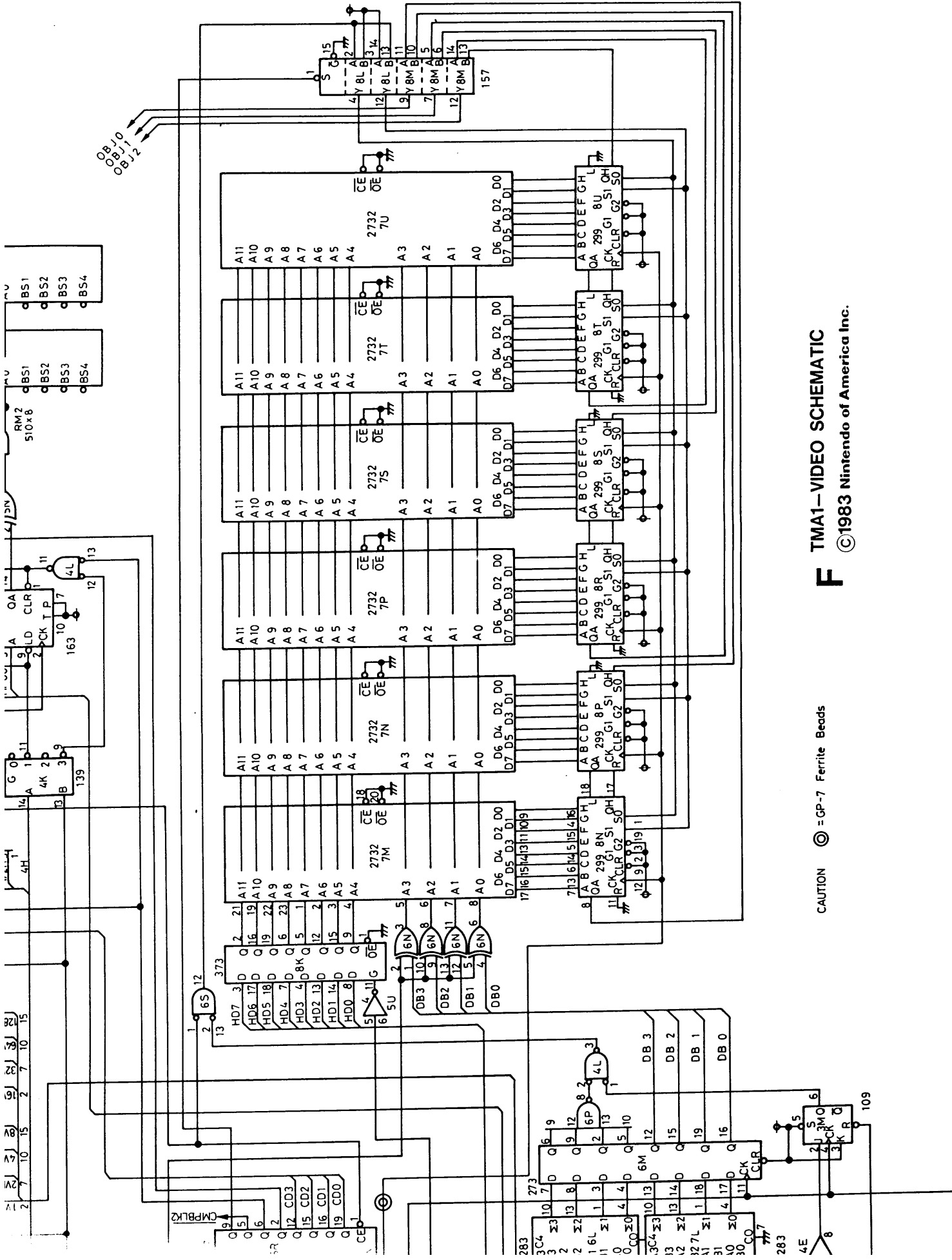
D PP-7B POWER SUPPLY ASSEMBLY
 ©1983 Nintendo of America Inc.



3D-0097

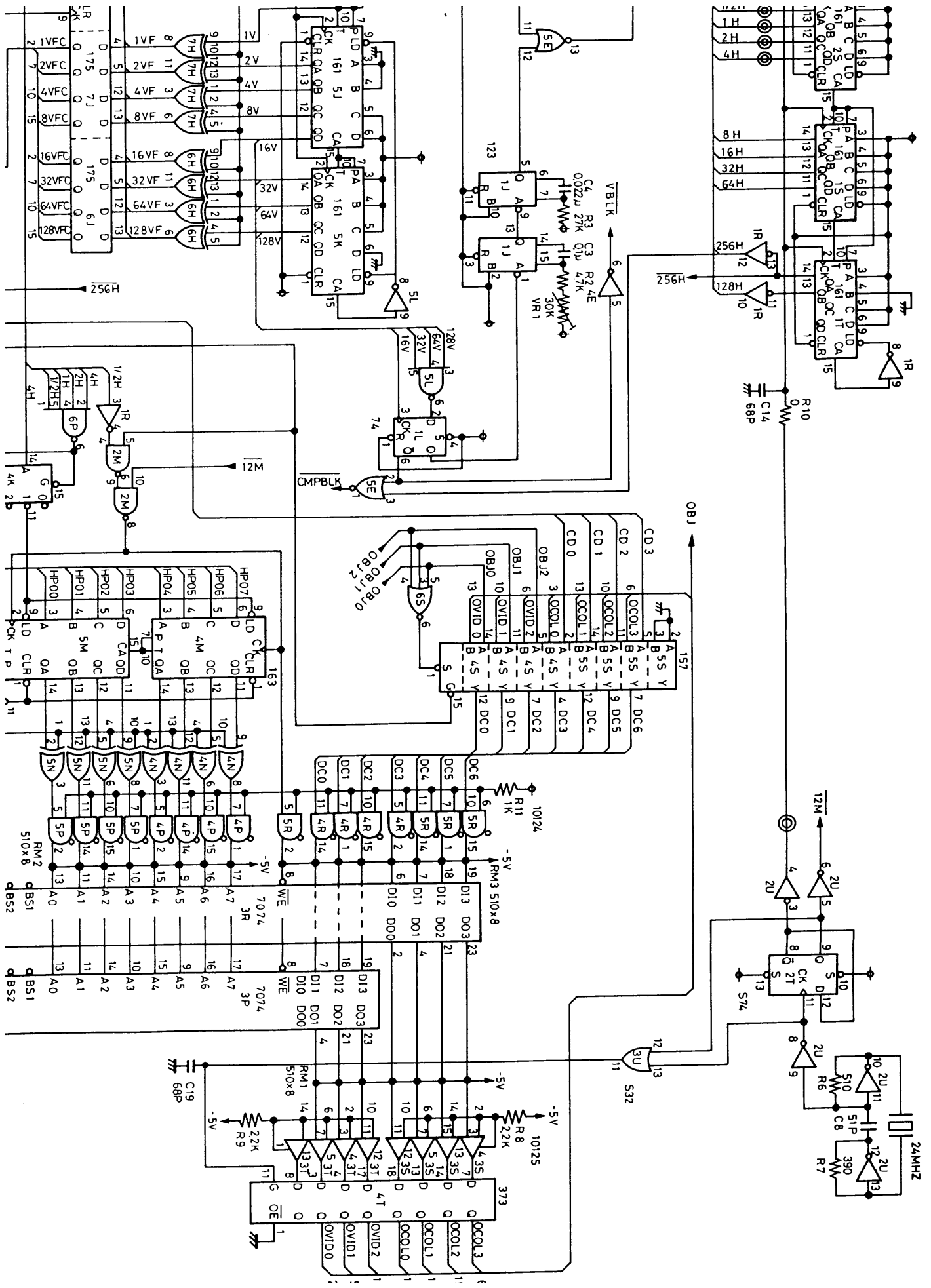




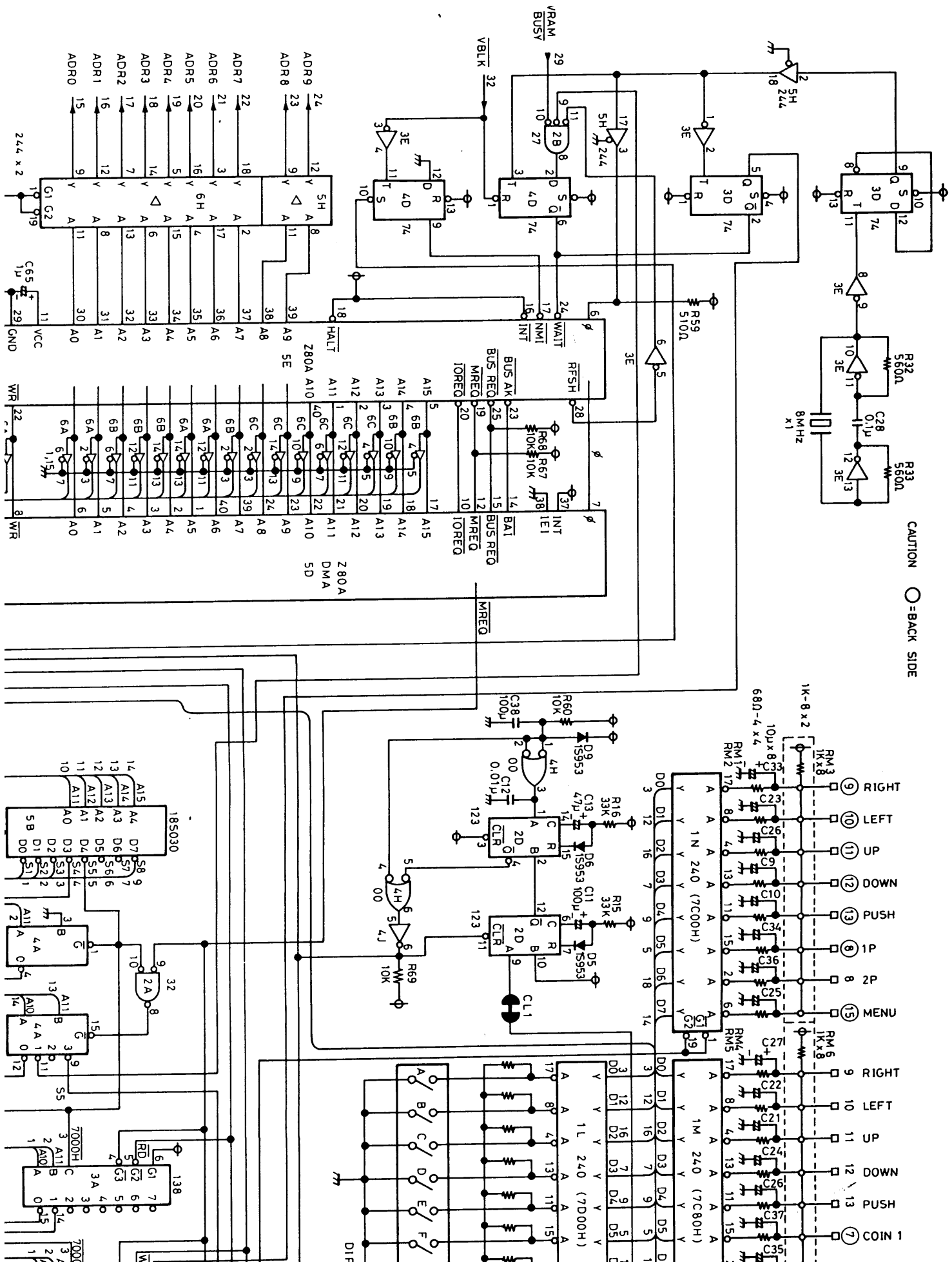


CAUTION © =GP-7 Ferrite Beads

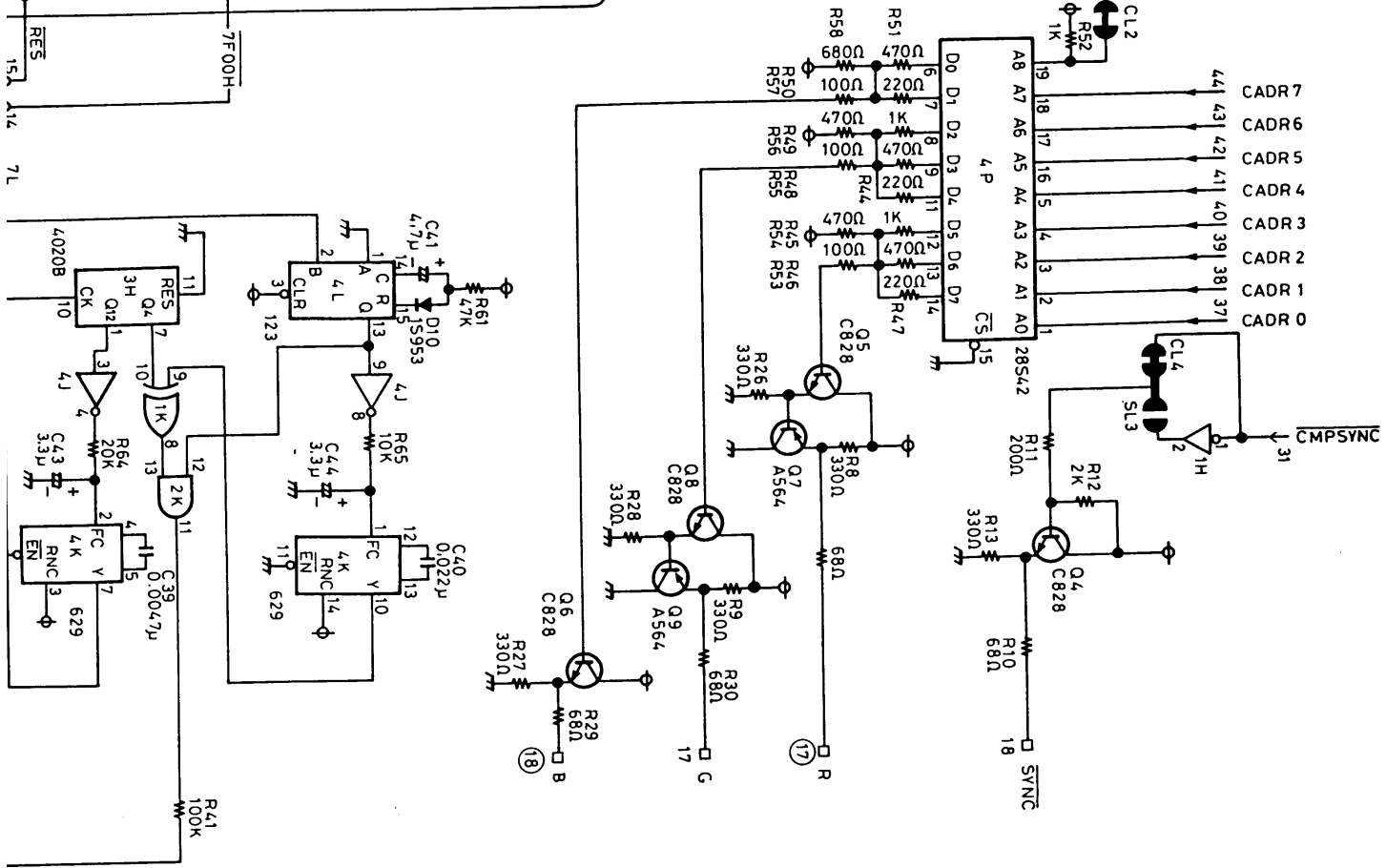
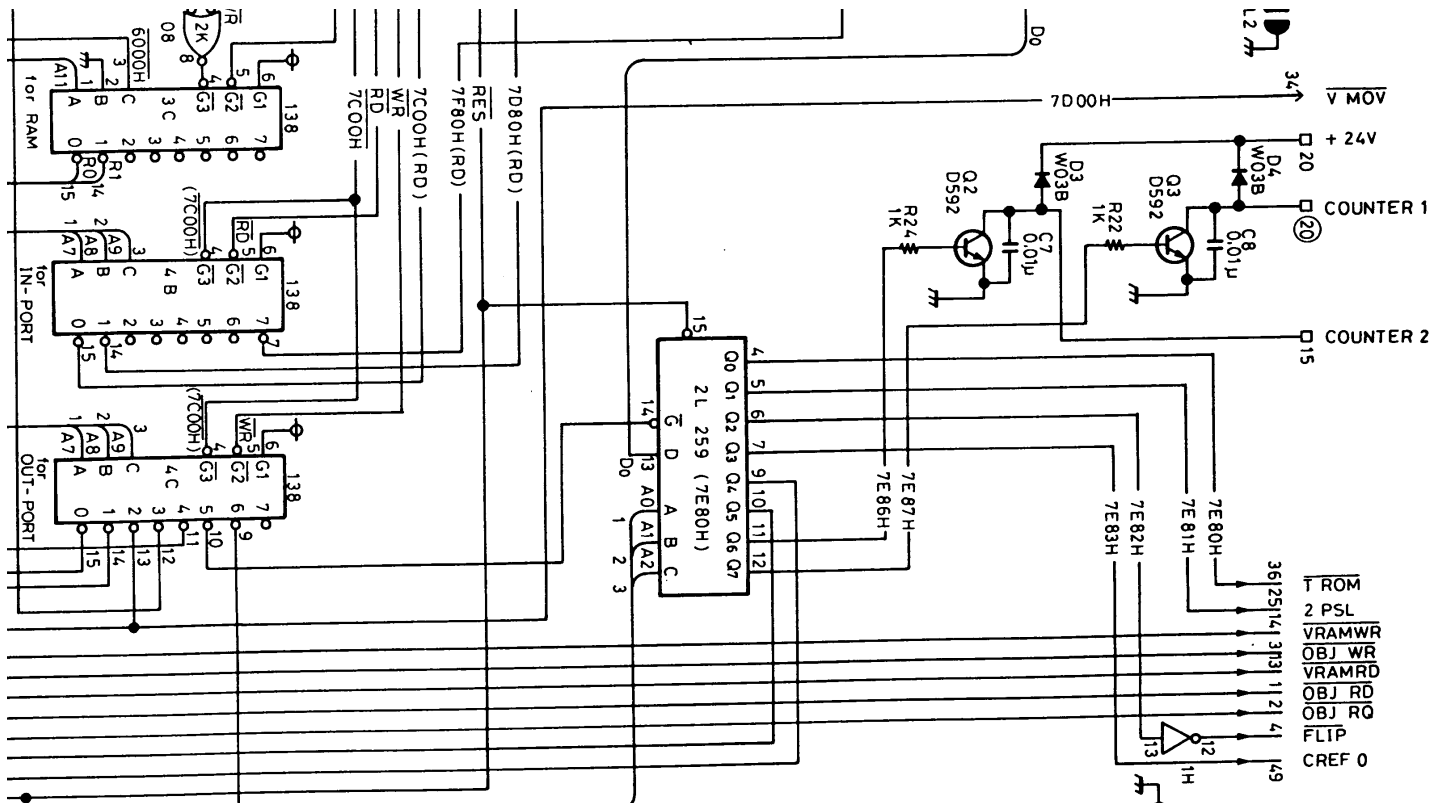
F TMA1—VIDEO SCHEMATIC ©1983 Nintendo of America Inc.

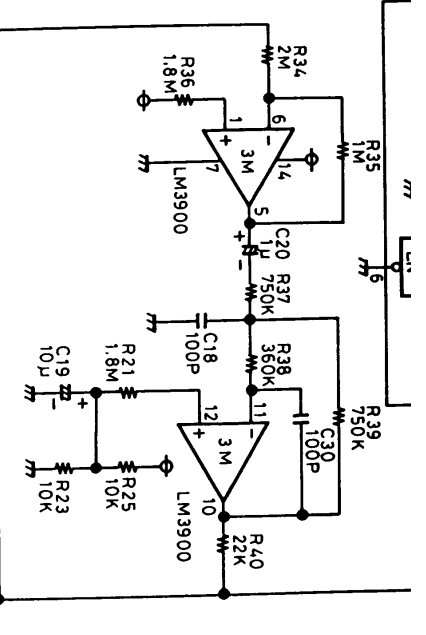
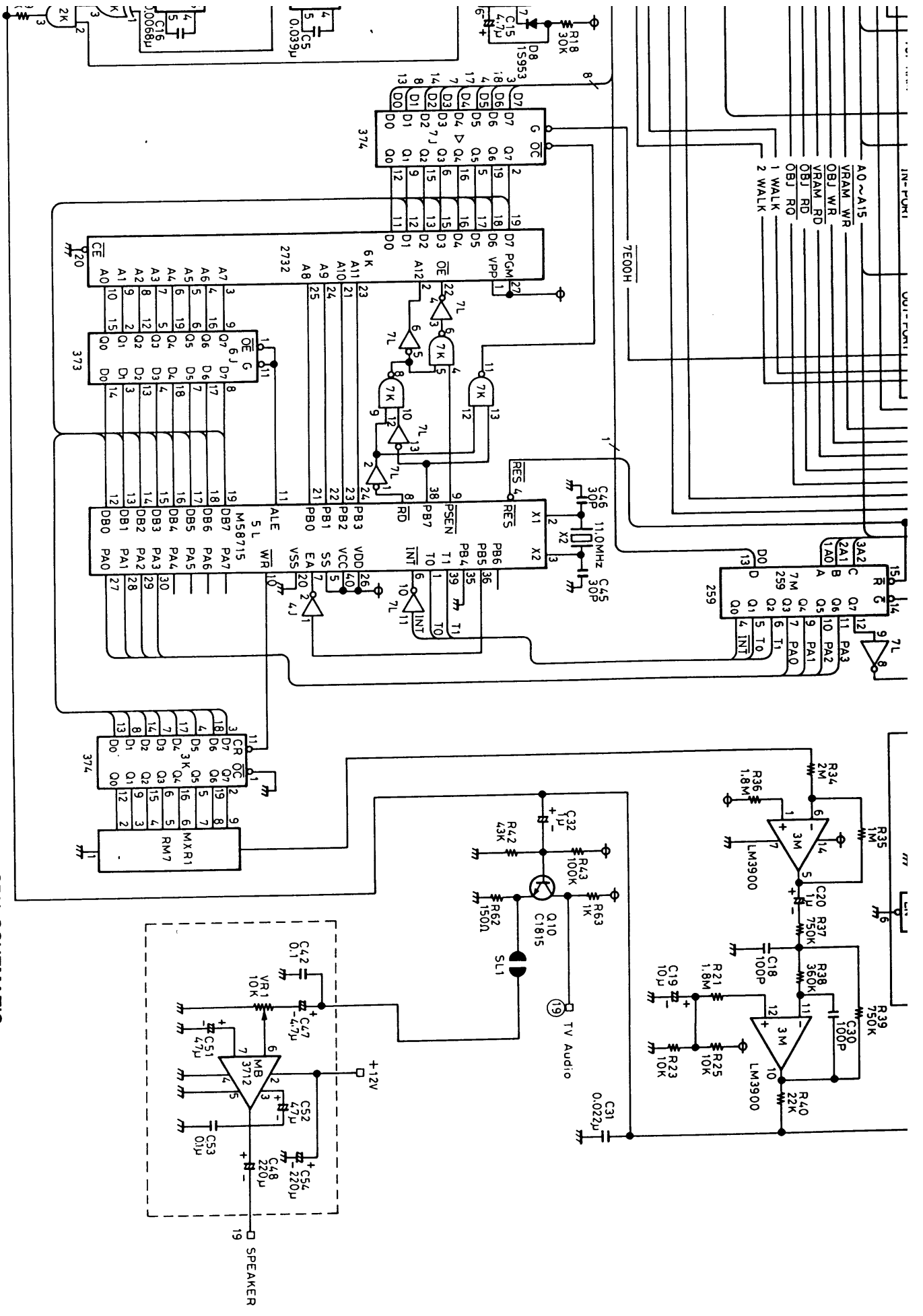


CAUTION ○=BACK SIDE



- RIGHT
- LEFT
- UP
- DOWN
- PUSH
- 1P
- 2P
- MENU
- COIN 1





E TMA1-CPU SCHEMATIC
 © 1983 Nintendo of America Inc.