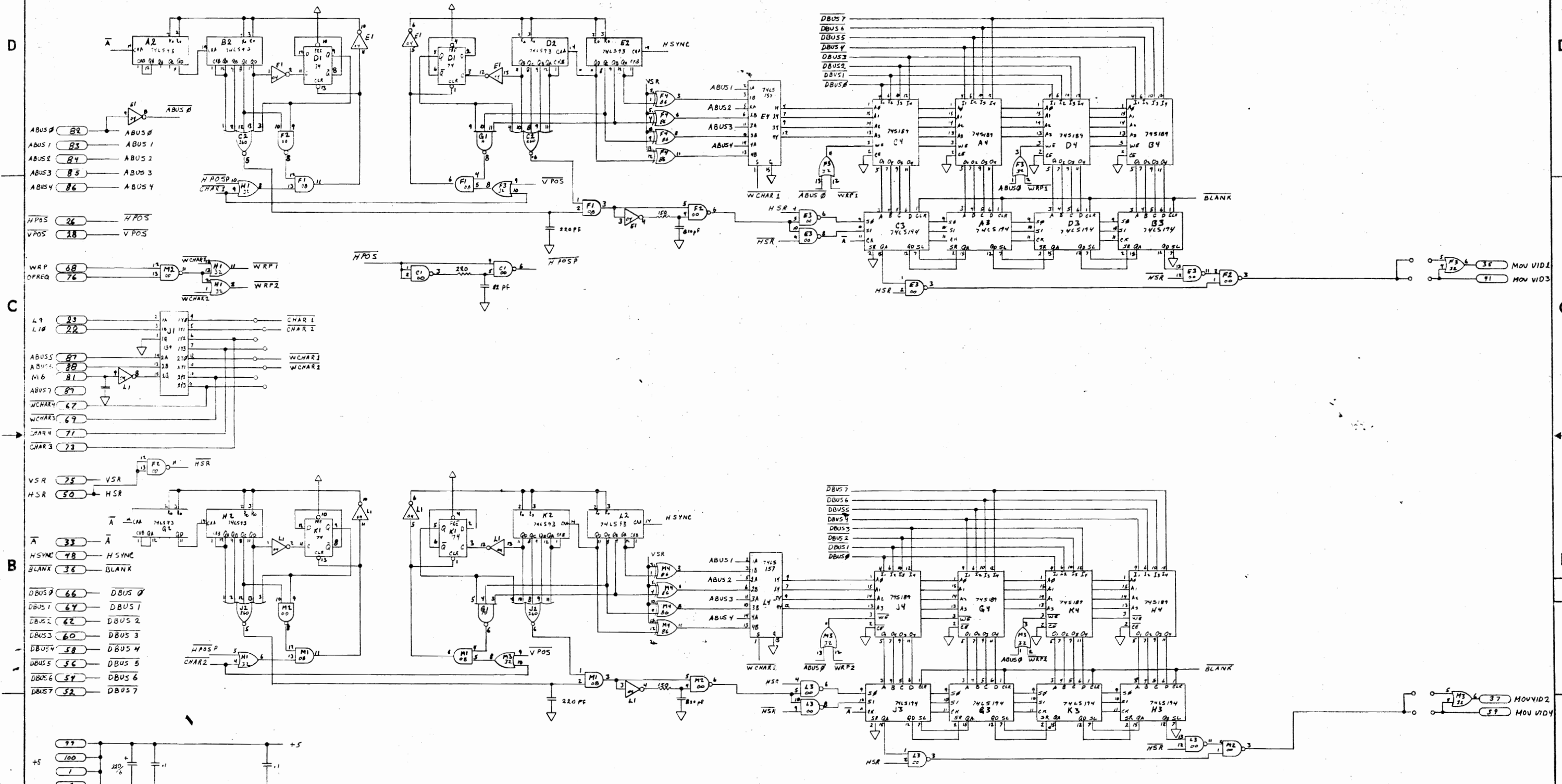


LTR. ZONE	DESCRIPTION	BY/DATE	APP/DATE

UNLESS OTHERWISE SPECIFIED DIMENSIONS ARE IN INCHES. TOLERANCES ARE: FRACTIONS DECIMALS ANGLES ± .010 ± .005 ± .010		SIGNATURES	DATE
BREAK AND DEBURR ALL SHARP EDGES MAX.		DRN. R.L. DAVIS	7/30/77
MATERIAL		CHK. [Signature]	7/27/78
FINISH		APP. [Signature]	7/7/78
NEXT ASSY. USED ON		APPLICATION DO NOT SCALE DRAWING	

MEADOWS GAMES, INC.		UNIVERSAL GAME LOGIC	
3-D BOWLING		SIZE D	CODE IDENT NO. 025-0060
SCALE NONE		DRAWING NO.	REV. -
SHEET 1 OF 1			

REVISIONS				
LTR	ZONE	DESCRIPTION	BY/DATE	APP./DATE
A		ADDED C1	SLP	11/1/77

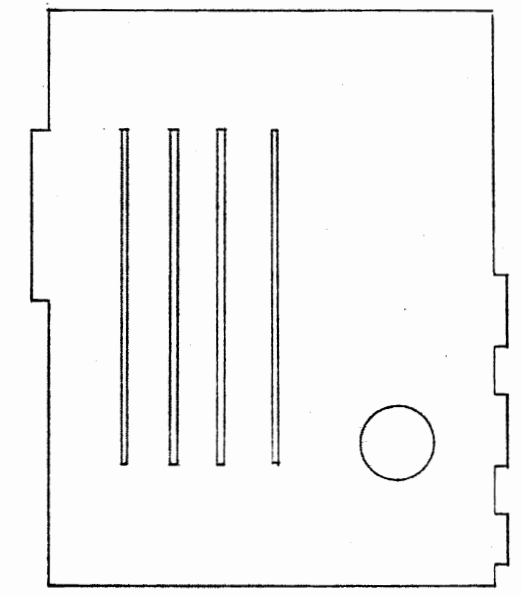
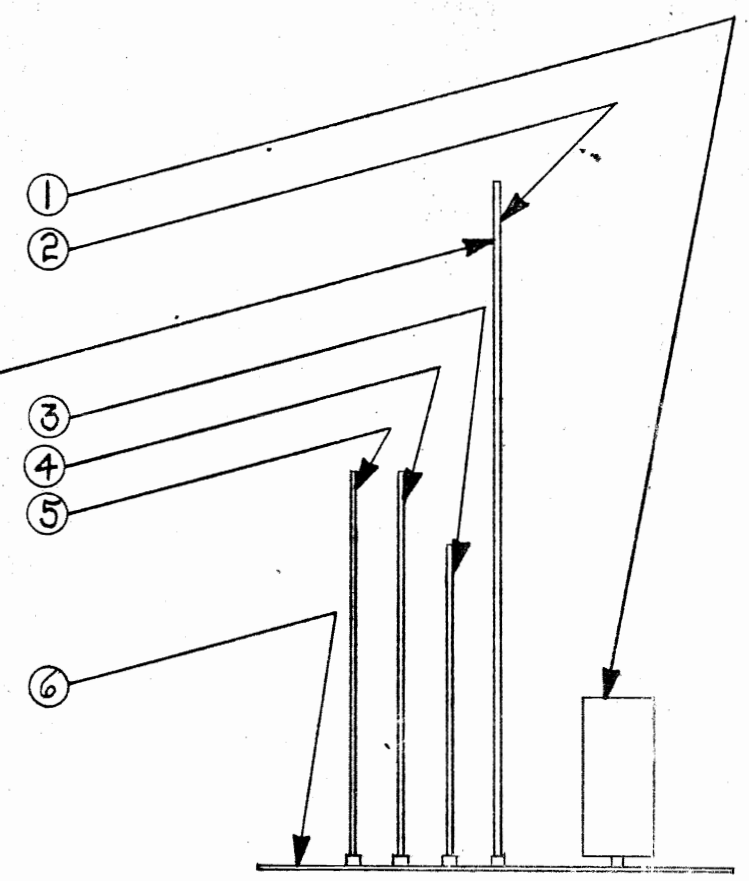


UNLESS OTHERWISE SPECIFIED DIMENSIONS ARE IN INCHES. TOLERANCES ARE:		SIGNATURES		DATE
FRACTIONS	DECIMALS	DRN	RC DAVIS	11-4-77
ANGLES	±	CHK	SLP	1-2-78
±	±	APP.	SLP	2/2/78
±	±	APP.		
BREAK AND DEBURR ALL SHARP EDGES MAX.		MEADOWS GAMES, INC.		
MATERIAL		MOVING CHARACTER GEN		
FINISH		3-D BOWLING		
SIZE	CODE IDENT NO.	DRAWING NO.	REV.	
D		025-0061	A	
SCALE	DO NOT SCALE DRAWING		SHEET / OF /	

LTR.	ZONE	DESCRIPTION	BY/DATE	APP. DATE

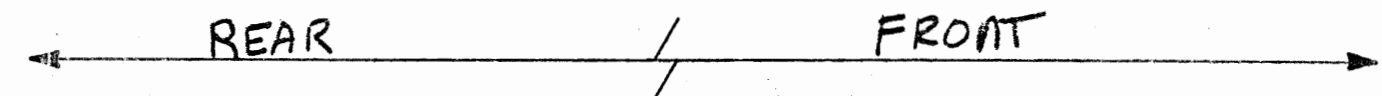
NOTE:

COMPONENT SIDE;
ALL PCB'S



NOTE:

It is not necessary that boards be placed in this order. They will work in any sequence; however, manufacturer suggests this order of board placement and sequence.



- ① CAPACITOR
- ② MAIN LOGIC BOARD
- ③ MEMORY (PROM) BOARD
- ④ SOUND BOARD
- ⑤ MOVING CHARACTER BOARD
- ⑥ MOTHER BOARD

- 024-0060
- 024-0062
- 024-0064
- 024-0061
- 024-0066

UNLESS OTHERWISE SPECIFIED DIMENSIONS ARE IN INCHES. TOLERANCES ARE: FRACTIONS DECIMALS ANGLES " .XX ° .XXX "		SIGNATURES		DATE	MEADOWS MEADOWS GAMES, INC.
		DRN. <i>Mac</i>	2/3/78		
BREAK AND DEBURR ALL SHARP EDGES MAX		CHK. <i>PC</i>	2/3/78	LOGIC BOARD MODULE ; 3-D BOWLING	
		APP. <i>RTA</i>	2/3/78		
MATERIAL		APP.	APP.	SIZE	CODE IDENT NO
FINISH				B	
3-DB				DRAWING NO	
NEXT ASSY.	USED ON			REV	
APPLICATION		DO NOT SCALE DRAWING		SCALE 1:4	
				SHEET OF	