



SEGA CORPORATION

Nissay Aroma Building, 5-37-1, Kamata, Ohta-ku, Tokyo 144-8721, Japan
Phone: +81-3-5480-6582 Facsimile: +81-3-5480-6584

© SEGA

Ferrari

OFFICIAL LICENSED PRODUCT

- All trade marks used with permission of the owners.
- AMD, the AMD ARROW Logo and combinations thereof are trademarks of Advanced Micro Devices, Inc.

OUTRUN 2 SPECIAL TOURS SDX

PARTS CATALOG

420-6991-02



PARTS CATALOG



IMPORTANT

- Before using this product, read this manual carefully to understand the contents herein stated.
- After reading this manual, be sure to keep it near the product or in a convenient place for easy reference when necessary.

TABLE OF CONTENTS

1	CABINET (COCKPIT, DLP)	1
①	TOP ASSY ORA SDX COCKPIT RED (ORA-10001).....	2
②	TOP ASSY ORA SDX COCKPIT YEL (ORA-10002).....	4
③	TOP ASSY ORA SDX COCKPIT BLU (ORA-10003).....	6
④	TOP ASSY ORA SDX COCKPIT SIL (ORA-10004).....	8
⑤	ASSY DLP (ORA-1000).....	10
⑥	ASSY MASK (ORA-1100).....	11
⑦	ASSY DLP BASE 1P (ORA-1500-01)	12
⑧	ASSY DLP BASE 2P (ORA-1500-02)	14
⑨	ASSY DLP BASE 3P (ORA-1500-03)	16
⑩	ASSY DLP BASE 4P (ORA-1500-04)	18
⑪	ASSY SUB CABI DLP BASE (ORA-1501)	20
⑫	ASSY MAIN BD DOOR (ORA-1600).....	22
⑬	ASSY DLP BACK DOOR (ORA-1650).....	23
⑭	ASSY DLP FRONT DOOR (ORA-1700).....	24
⑮	FAN UNIT (SPY-1080)	25
⑯	ASSY HUB (ORA-1550)	26
⑰	AC UNIT (ORA-4000)	27
⑱	ASSY MAIN ELEC (ORA-4100)	29
⑲	ASSY SUB ELEC (ORA-4200).....	30
⑳	ASSY COCKPIT RED (ORA-3000-01).....	32
㉑	ASSY COCKPIT YELLOW (ORA-3000-02)	34
㉒	ASSY COCKPIT BLUE (ORA-3000-03).....	36
㉓	ASSY COCKPIT SILVER (ORA-3000-04).....	38
㉔	ASSY FRONT CABI (ORA-3100).....	40
㉕	ASSY SUB CABI FRONT (ORA-3101)	43
㉖	ASSY HANDLE MECHA (ORA-2500).....	44
㉗	ASSY COIN CHUTE TOWER (ORA-3200)	46
㉘	SW UNIT (ORA-3450).....	47
㉙	ASSY CCD (ORA-3250)	48
㉚	ASSY MOTOR DRIVER DOOR (ORA-3300)	50
㉛	ASSY MOTION STOP SW (ORA-3350)	51
㉜	ASSY START SW (ORA-3400)	52

33	ASSY ACT CONTROL ELEC (ORA-4300)	53
34	ASSY ACTUATOR ELEC (ORA-4400)	55
35	ASSY ACCEL&BRAKE (SPG-2200-01)	57
36	ASSY REAR CABI (ORA-3500)	59
37	ASSY SUB CABI REAR (ORA-3501)	61
38	REAR BASE FRAME (ORA-3502)	63
39	ASSY RIDE FRAME (ORA-3600)	64
40	ASSY SEAT (ORA-3700)	66
41	ASSY FLOOR (ORA-3750)	68
42	ASSY TAIL LAMP F50 (ORA-3900-01)	69
43	ASSY TAIL LAMP SINGLE (ORA-3900-02)	70
44	ASSY REAR LAMP RED (ORA-5000-01)	71
45	ASSY REAR LAMP YELLOW (ORA-5000-02)	73
46	ASSY REAR LAMP BLUE (ORA-5000-03)	75
47	ASSY REAR LAMP SILVER (ORA-5000-04)	77

2 CONTROL TOWER, BILLBOARD, STEP 79

① TOP ASSY ORA SDX ACCESSORIES (ORA-50001)..... 80

② ASSY CONTROL TOWER (ORA-0200) 83

③ ASSY SERVICE PANEL (ORA-0250) 86

④ ASSY SERVICE PANEL DOOR (ORA-0260)..... 88

⑤ ASSY MICROPHONE DOOR (ORA-0270) 89

⑥ ASSY FRONT DOOR (ORA-0280)..... 90

⑦ AC & CTRL UNIT (ORA-0300) 91

⑧ ASSY SPEAKER BOX L (ORA-0500)..... 94

⑨ ASSY MIRROR BOX L (ORA-0550) 96

⑩ ASSY SPEAKER BOX R (ORA-0600) 98

⑪ ASSY MIRROR BOX R (ORA-0650) 100

⑫ ASSY RANKING BOARD (ORA-0700) 102

⑬ ASSY BILLBOARD ELEC (ORA-0750) 105

⑭ ASSY LCD (ORA-0850)..... 107

⑮ ASSY BILLBOARD SIDE COVER L (ORA-0900) 109

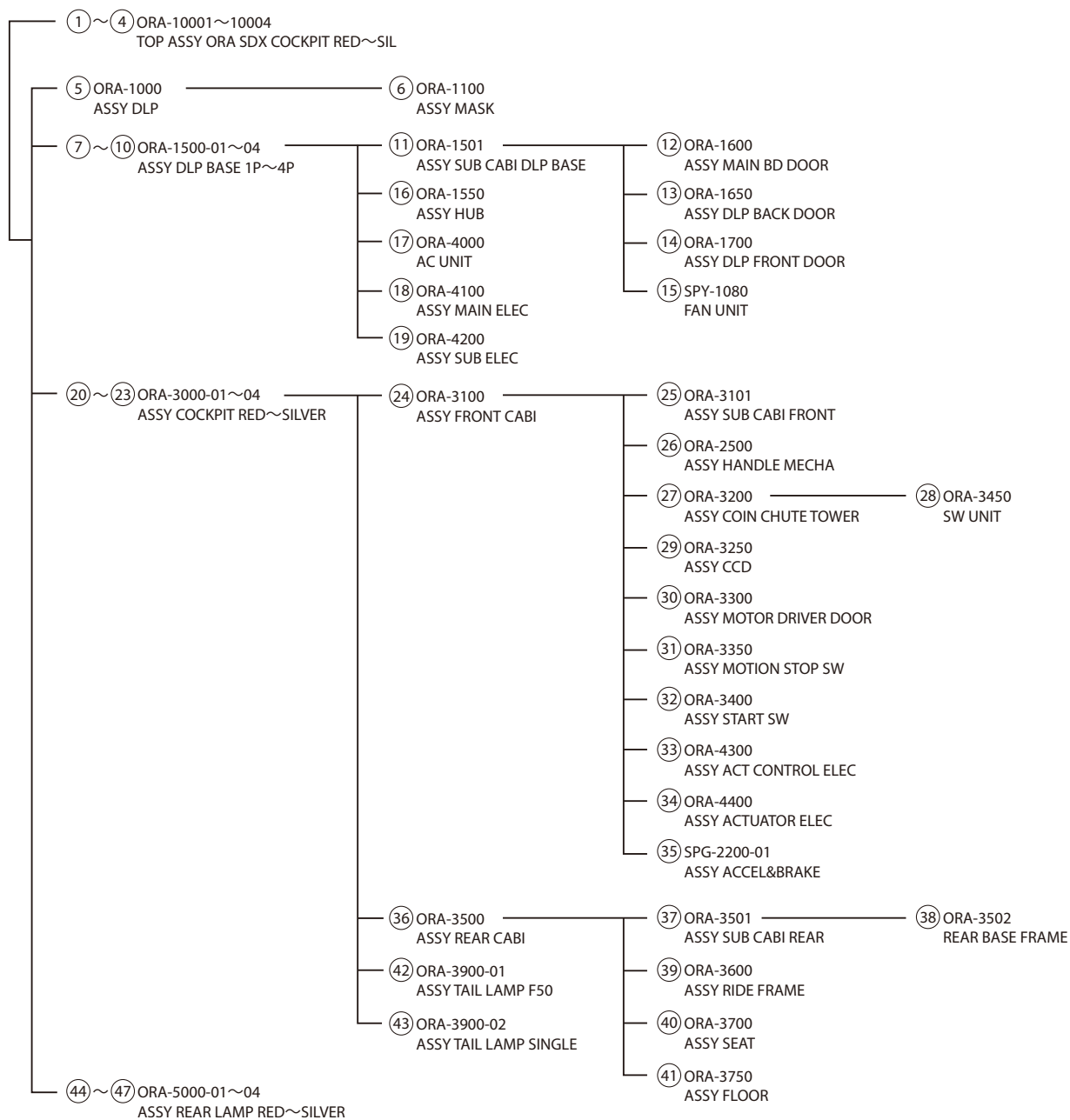
⑯ ASSY BILLBOARD SIDE COVER R (ORA-0950) 111

⑰ ASSY STEP CENTER (ORA-5100)..... 113

⑱ ASSY STEP SIDE L (ORA-5200) 114

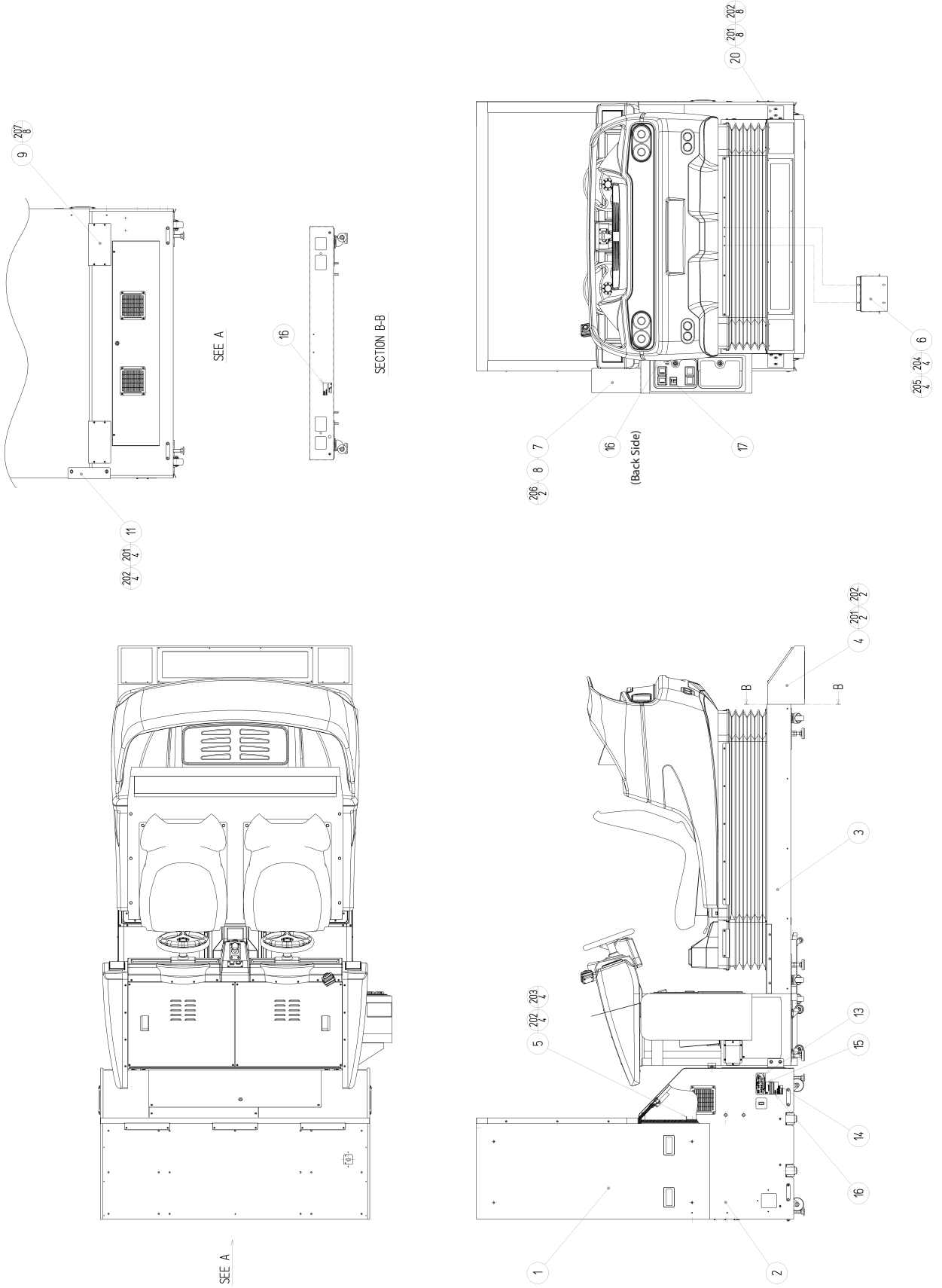
⑲ ASSY STEP SIDE R (ORA-5300)..... 115

1 CABINET (COCKPIT, DLP)



1 TOP ASSY ORA SDX COCKPIT RED (ORA-10001)

(D-1/2)



1 TOP ASSY ORA SDX COCKPIT RED (ORA-10001)

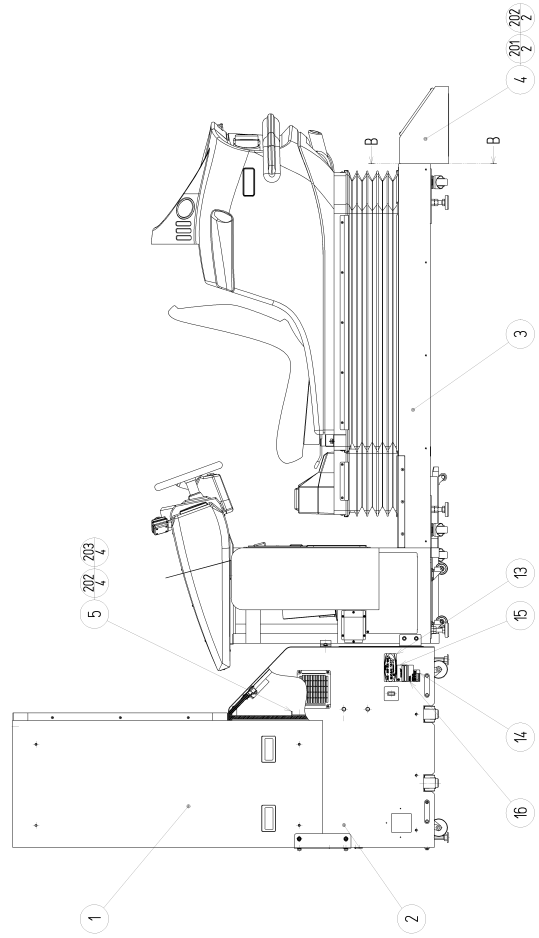
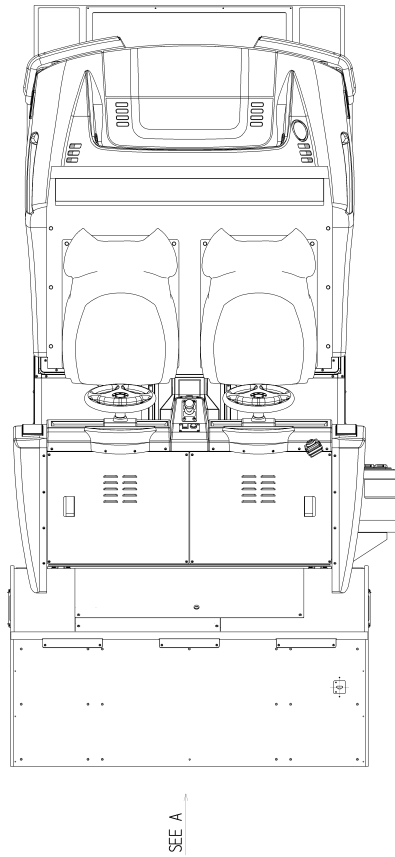
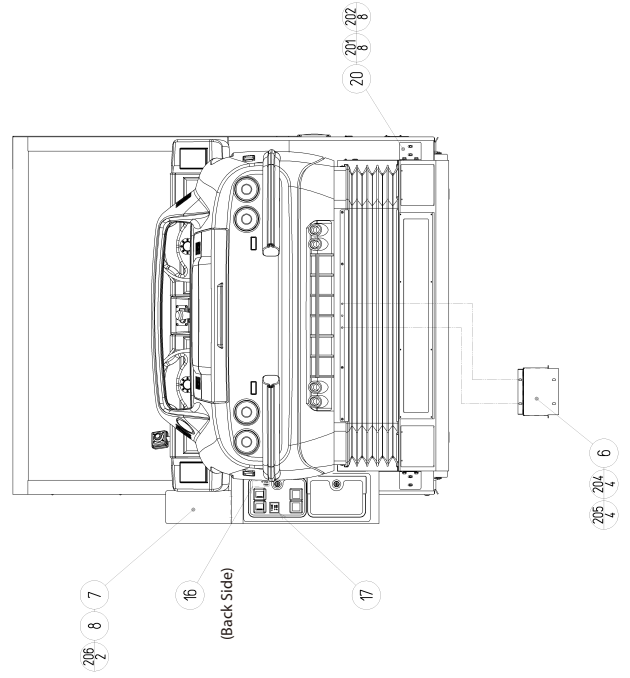
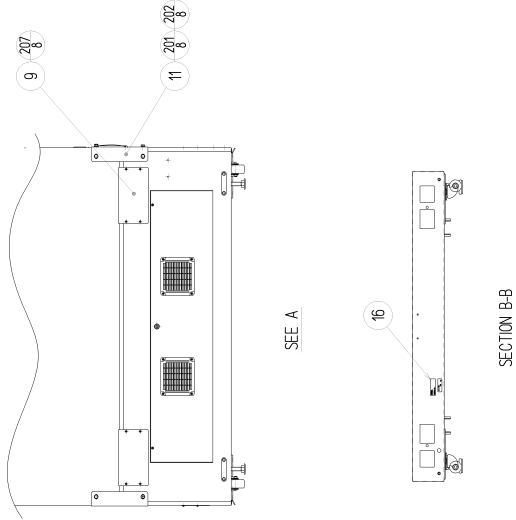
(D-2/2)

ITEM NO.	PART NO.	DESCRIPTION	NOTE
1	ORA-1000	ASSY DLP	
2	ORA-1500-01	ASSY DLP BASE 1P	
3	ORA-3000-01	ASSY COCKPIT RED	
4	ORA-5000-01	ASSY REAR LAMP RED	
5	ORA-0010	DLP HOLDER FRONT	
6	ORA-0016X	SHIPPING BRKT REAR	
7	ORA-0022	INSTR BASE	
8	ORA-0023-01	STICKER SUB INSTR ENG	
9	ORA-1514	CASTER LID	
11	DOC-1182	PROJECTION JOINT A	
18	SGM-4568	POLY COVER 900x1600x900	
20	ORA-3128	FRONT CABI JOINT BRKT	
201	030-000820-SB	HEX BLT W/S BLK M8x20	
202	068-852216-0B	FLT WSHR BLK 8.5-22x1.6	
203	030-000845-S	HEX BLT W/S M8x45	
204	030-000616-SB	HEX BLT W/S BLK M6x16	
205	060-F00600-0B	FLT WSHR BLK M6	
206	000-P00408-WB	M SCR PH W/FS BLK M4x8	
207	000-P00416-WB	M SCR PH W/FS BLK M4x16	
208	050-H00400	HEX NUT M4	
209	060-S00400	SPR WSHR M4	
210	060-F00400	FLT WSHR M4	
211	000-P00408	M SCR PH M4x8	
212	000-T00430-0B	M SCR TH BLK M4x30	
/	105-5590	SHIPPING BRKT	
/	421-6690-12	STICKER 208V	
/	440-WS0286-EG	STICKER W DO NOT OPEN ENG	
/	105-5496	PL STICKER PLATE UL A	
/	011-T03512-0B	TAP SCR TH BLK 3.5x12	
/	421-12278-01	STICKER UL FOR ORA SDX RED	
/	421-6119-91	STICKER FCC	
/	421-12170	STICKER RATING SUIT ALL	

1 CABINET (COCKPIT, DLP)

2 TOP ASSY ORA SDX COCKPIT YEL (ORA-10002)

(D-1/2)



2 TOP ASSY ORA SDX COCKPIT YEL (ORA-10002)

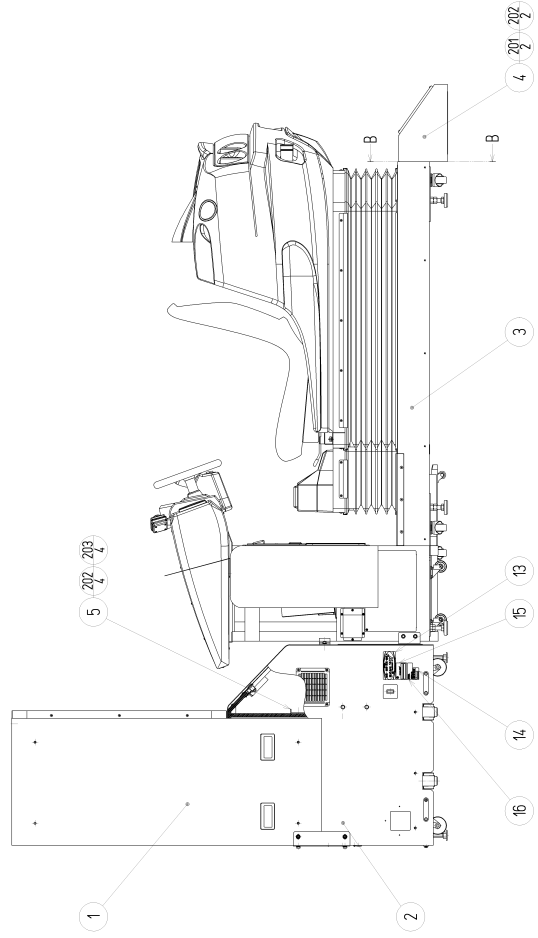
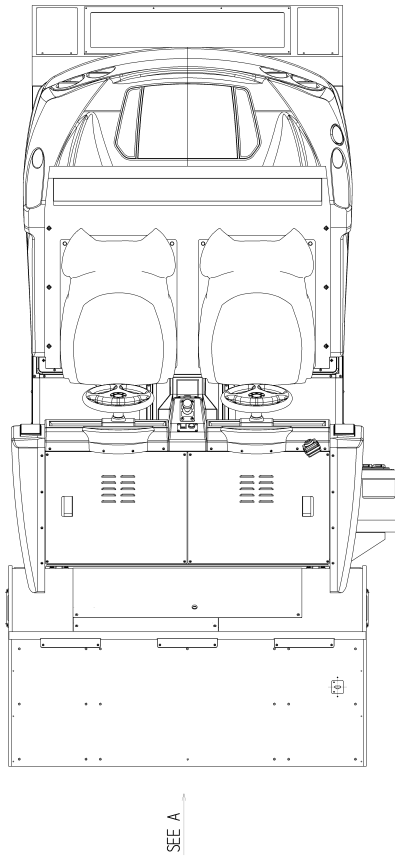
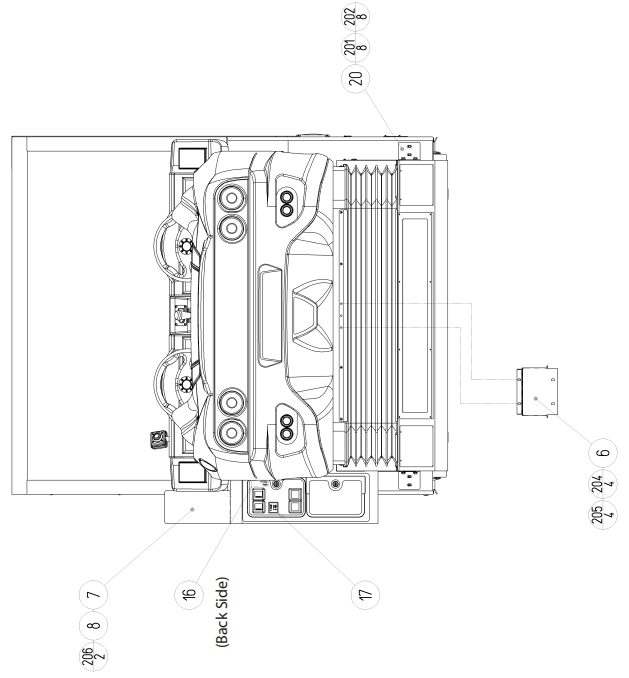
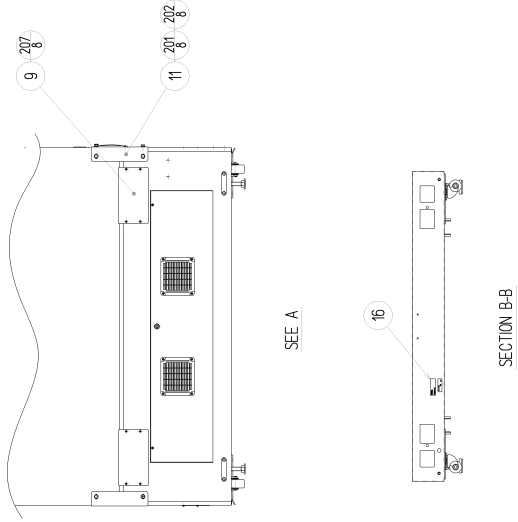
(D-2/2)

ITEM NO.	PART NO.	DESCRIPTION	NOTE
1	ORA-1000	ASSY DLP	
2	ORA-1500-02	ASSY DLP BASE 2P	
3	ORA-3000-02	ASSY COCKPIT YELLOW	
4	ORA-5000-02	ASSY REAR LAMP YELLOW	
5	ORA-0010	DLP HOLDER FRONT	
6	ORA-0016X	SHIPPING BRKT REAR	
7	ORA-0022	INSTR BASE	
8	ORA-0023-01	STICKER SUB INSTR ENG	
9	ORA-1514	CASTER LID	
11	DOC-1182	PROJECTION JOINT A	
18	SGM-4568	POLY COVER 900x1600x900	
20	ORA-3128	FRONT CABI JOINT BRKT	
201	030-000820-SB	HEX BLT W/S BLK M8x20	
202	068-852216-0B	FLT WSHR BLK 8.5-22x1.6	
203	030-000845-S	HEX BLT W/S M8x45	
204	030-000616-SB	HEX BLT W/S BLK M6x16	
205	060-F00600-0B	FLT WSHR BLK M6	
206	000-P00408-WB	M SCR PH W/FS BLK M4x8	
207	000-P00416-WB	M SCR PH W/FS BLK M4x16	
208	050-H00400	HEX NUT M4	
209	060-S00400	SPR WSHR M4	
210	060-F00400	FLT WSHR M4	
211	000-P00408	M SCR PH M4x8	
212	000-T00430-0B	M SCR TH BLK M4x30	
/	105-5590	SHIPPING BRKT	
/	421-6690-12	STICKER 208V	
/	440-WS0286-EG	STICKER W DO NOT OPEN ENG	
/	105-5496	PL STICKER PLATE UL A	
/	011-T03512-0B	TAP SCR TH BLK 3.5x12	
/	421-12278-02	STICKER UL FOR ORA SDX YEL	
/	421-6119-91	STICKER FCC	
/	421-12170	STICKER RATING SUIT ALL	

1 CABINET (COCKPIT, DLP)

3 TOP ASSY ORA SDX COCKPIT BLU (ORA-10003)

(D-1/2)



3 TOP ASSY ORA SDX COCKPIT BLU (ORA-10003)

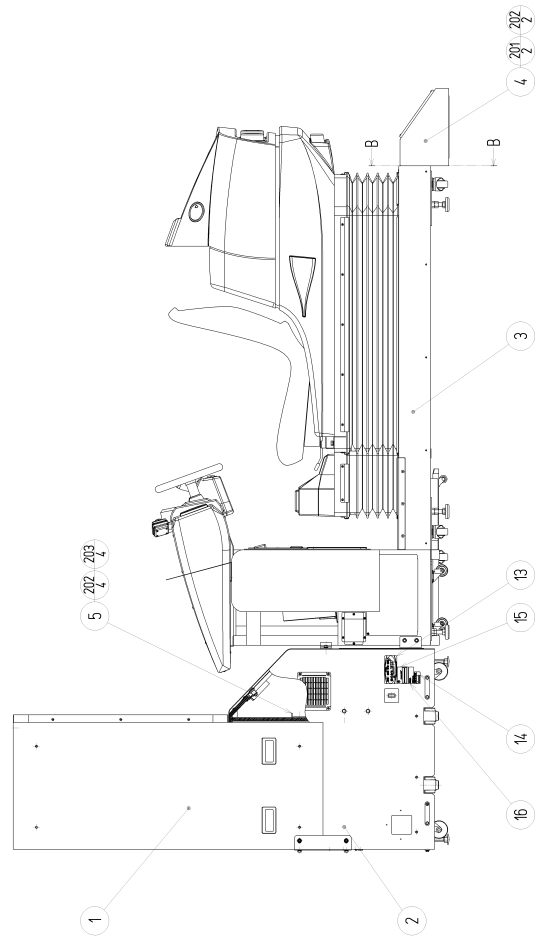
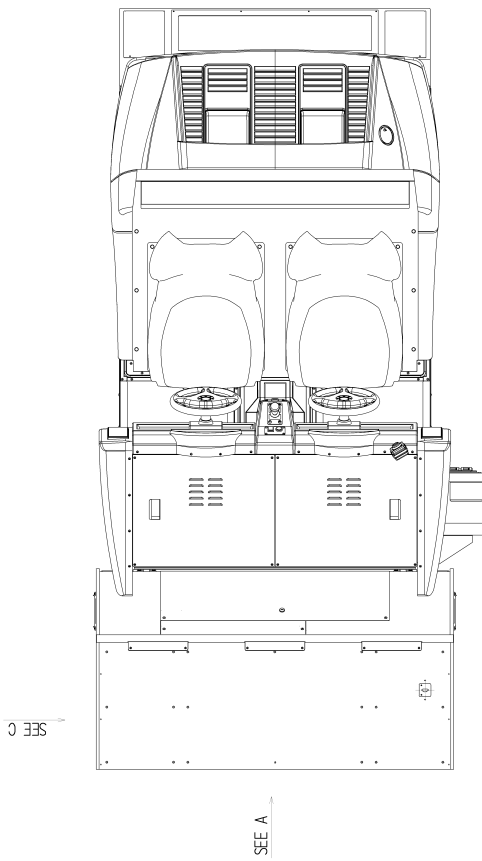
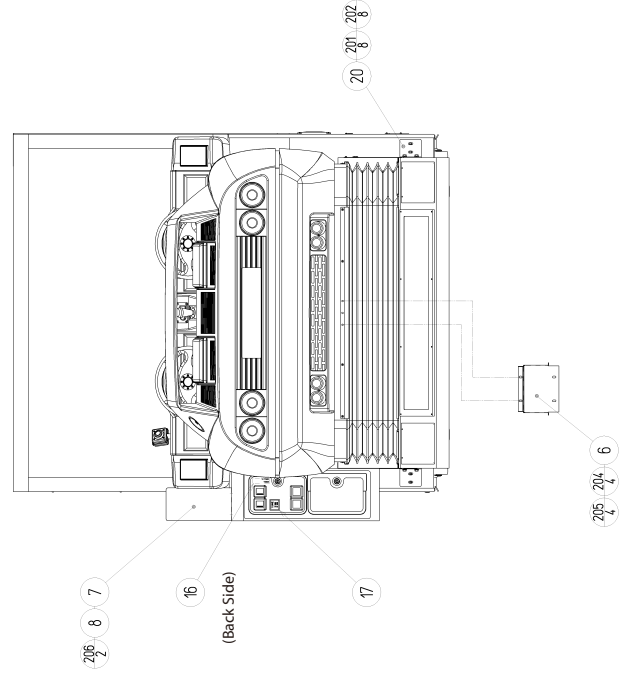
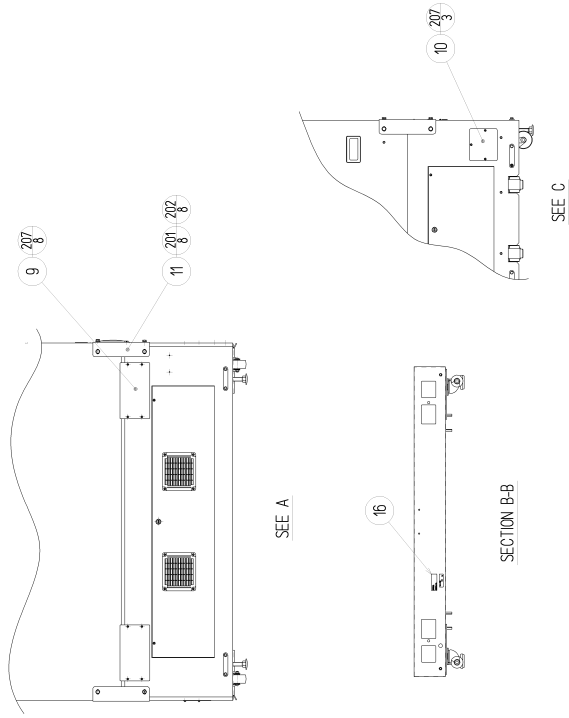
(D-2/2)

ITEM NO.	PART NO.	DESCRIPTION	NOTE
1	ORA-1000	ASSY DLP	
2	ORA-1500-03	ASSY DLP BASE 3P	
3	ORA-3000-03	ASSY COCKPIT BLUE	
4	ORA-5000-03	ASSY REAR LAMP BLUE	
5	ORA-0010	DLP HOLDER FRONT	
6	ORA-0016X	SHIPPING BRKT REAR	
7	ORA-0022	INSTR BASE	
8	ORA-0023-01	STICKER SUB INSTR ENG	
9	ORA-1514	CASTER LID	
11	DOC-1182	PROJECTION JOINT A	
18	SGM-4568	POLY COVER 900x1600x900	
20	ORA-3128	FRONT CABI JOINT BRKT	
201	030-000820-SB	HEX BLT W/S BLK M8x20	
202	068-852216-0B	FLT WSHR BLK 8.5-22x1.6	
203	030-000845-S	HEX BLT W/S M8x45	
204	030-000616-SB	HEX BLT W/S BLK M6x16	
205	060-F00600-0B	FLT WSHR BLK M6	
206	000-P00408-WB	M SCR PH W/FS BLK M4x8	
207	000-P00416-WB	M SCR PH W/FS BLK M4x16	
208	050-H00400	HEX NUT M4	
209	060-S00400	SPR WSHR M4	
210	060-F00400	FLT WSHR M4	
211	000-P00408	M SCR PH M4x8	
212	000-T00430-0B	M SCR TH BLK M4x30	
/	105-5590	SHIPPING BRKT	
/	421-6690-12	STICKER 208V	
/	440-WS0286-EG	STICKER W DO NOT OPEN ENG	
/	105-5496	PL STICKER PLATE UL A	
/	011-T03512-0B	TAP SCR TH BLK 3.5x12	
/	421-12278-03	STICKER UL FOR ORA SDX BLU	
/	421-6119-91	STICKER FCC	
/	421-12170	STICKER RATING SUIT ALL	

1 CABINET (COCKPIT, DLP)

4 TOP ASSY ORA SDX COCKPIT SIL (ORA-10004)

(D-1/2)



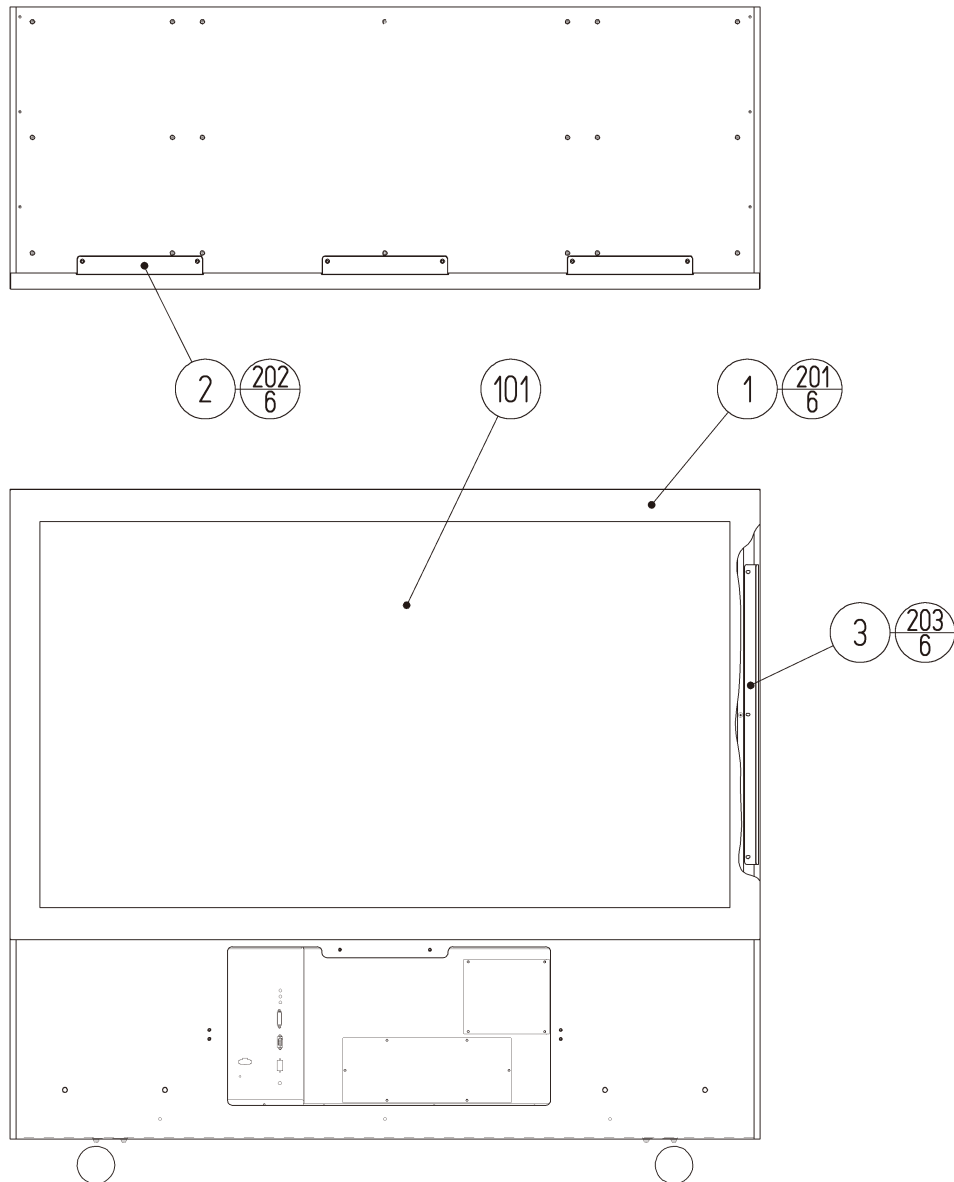
4 TOP ASSY ORA SDX COCKPIT SIL (ORA-10004)

(D-2/2)

ITEM NO.	PART NO.	DESCRIPTION	NOTE
1	ORA-1000	ASSY DLP	
2	ORA-1500-04	ASSY DLP BASE 4P	
3	ORA-3000-04	ASSY COCKPIT SILVER	
4	ORA-5000-04	ASSY REAR LAMP SILVER	
5	ORA-0010	DLP HOLDER FRONT	
6	ORA-0016X	SHIPPING BRKT REAR	
7	ORA-0022	INSTR BASE	
8	ORA-0023-01	STICKER SUB INSTR ENG	
9	ORA-1514	CASTER LID	
10	ORA-1516	WIRE HOLE LID	
11	DOC-1182	PROJECTION JOINT A	
18	SGM-4568	POLY COVER 900x1600x900	
20	ORA-3128	FRONT CABI JOINT BRKT	
201	030-000820-SB	HEX BLT W/S BLK M8x20	
202	068-852216-0B	FLT WSHR BLK 8.5-22x1.6	
203	030-000845-S	HEX BLT W/S M8x45	
204	030-000616-SB	HEX BLT W/S BLK M6x16	
205	060-F00600-0B	FLT WSHR BLK M6	
206	000-P00408-WB	M SCR PH W/FS BLK M4x8	
207	000-P00416-WB	M SCR PH W/FS BLK M4x16	
208	050-H00400	HEX NUT M4	
209	060-S00400	SPR WSHR M4	
210	060-F00400	FLT WSHR M4	
211	000-P00408	M SCR PH M4x8	
212	000-T00430-0B	M SCR TH BLK M4x30	
/	105-5590	SHIPPING BRKT	
/	421-6690-12	STICKER 208V	
/	440-WS0286-EG	STICKER W DO NOT OPEN ENG	
/	105-5496	PL STICKER PLATE UL A	
/	011-T03512-0B	TAP SCR TH BLK 3.5x12	
/	421-12278-04	STICKER UL FOR ORA SDX SIL	
/	421-6119-91	STICKER FCC	
/	421-12170	STICKER RATING SUIT ALL	

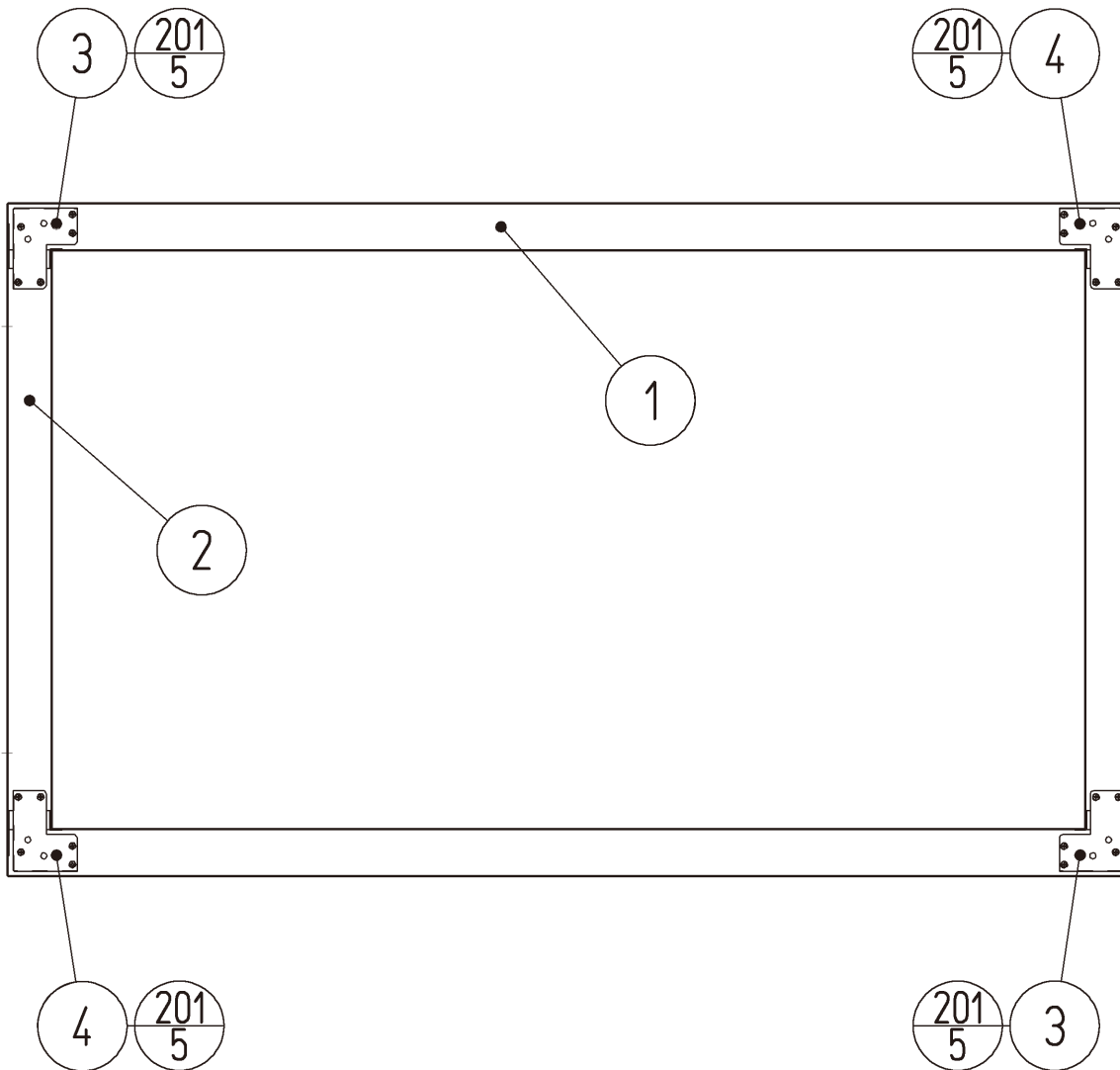
1 CABINET (COCKPIT, DLP)

5 ASSY DLP (ORA-1000)



ITEM NO.	PART NO.	DESCRIPTION	NOTE
1	ORA-1100	ASSY MASK	
2	ORA-1001	UPPER MASK BRKT	
3	HDF-0514	SIDE MASK FIX BRKT	
101	200-6017-01	DLP PJTN DSPL 62W TYPE STR	
201	000-T00410-0B	M SCR TH BLK M4x10	
202	000-F00412	M SCR FH M4x12	
203	000-P00416-W	M SCR PH W/FS M4x16	

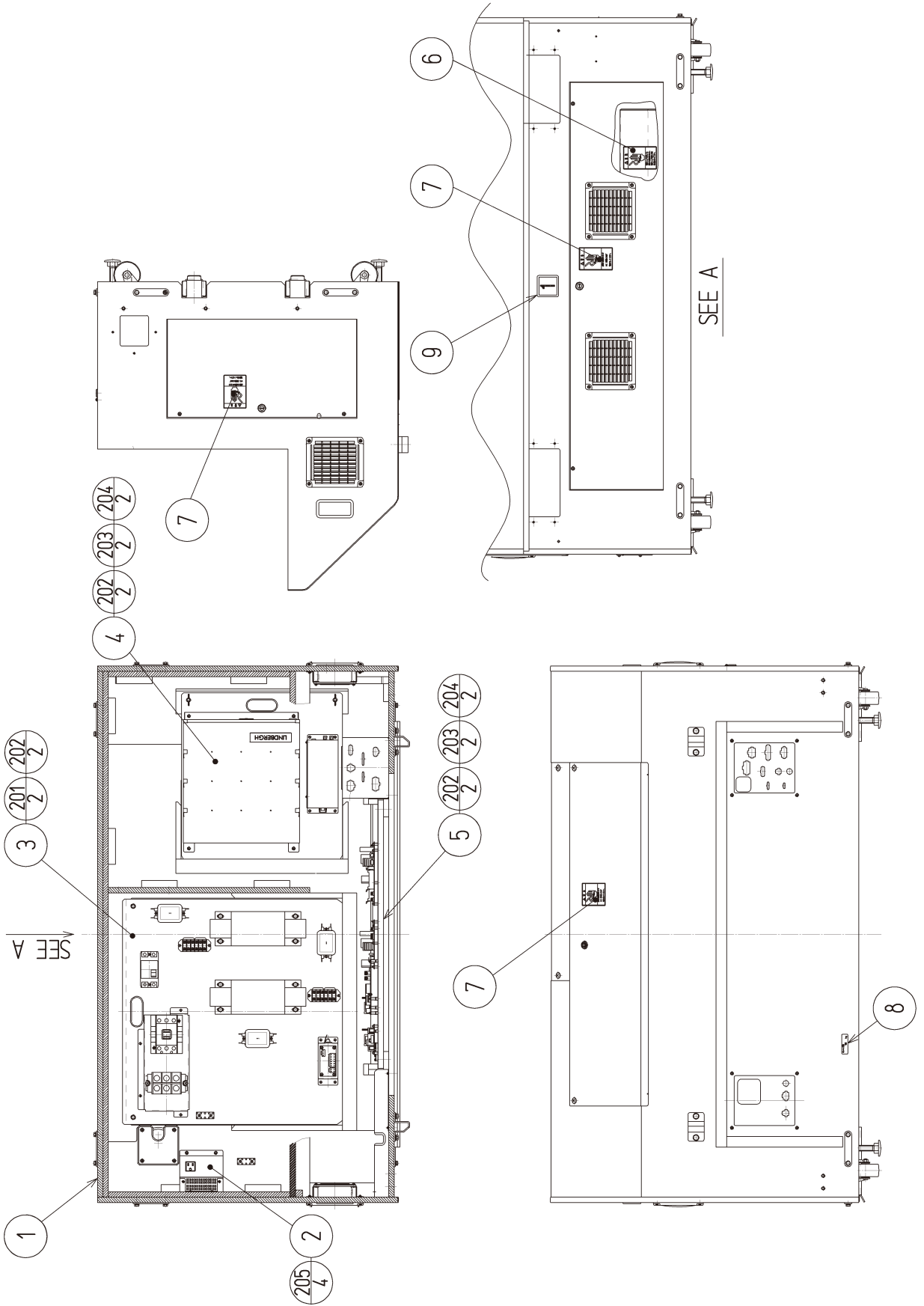
6 ASSY MASK (ORA-1100)



ITEM NO.	PART NO.	DESCRIPTION	NOTE
1	ORA-1101	UPPER MASK	
2	HDF-0533	SIDE MASK	
3	HDF-0534	MASK JOINT BRKT L	
4	HDF-0535	MASK JOINT BRKT R	
201	000-P00408-W	M SCR PH W/FS M4x8	

7 ASSY DLP BASE 1P (ORA-1500-01)

(D-1/2)



7 ASSY DLP BASE 1P (ORA-1500-01)

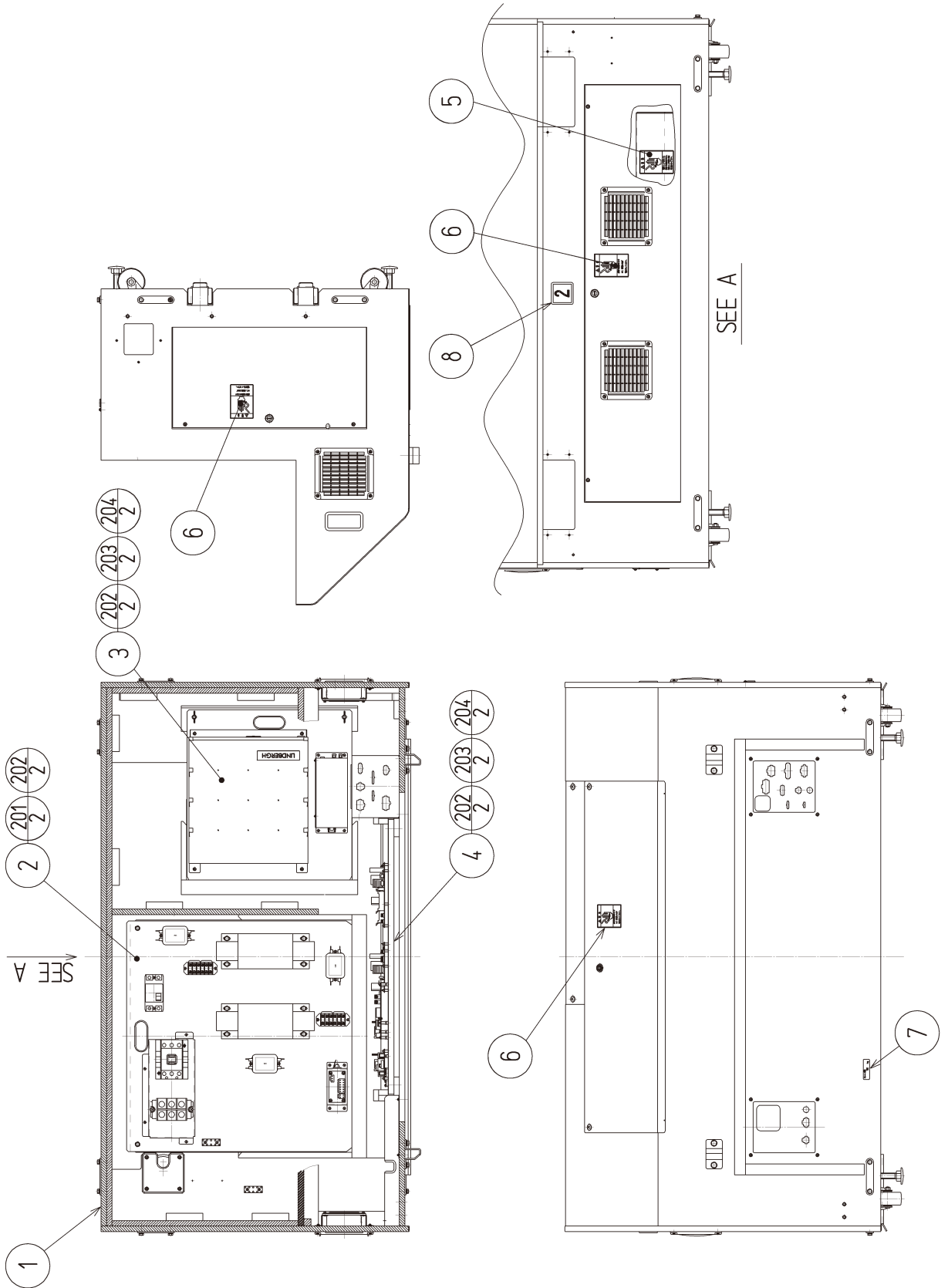
(D-2/2)

ITEM NO.	PART NO.	DESCRIPTION	NOTE
1	ORA-1501	ASSY SUB CABI DLP BASE	
2	ORA-1550	ASSY HUB	
3	ORA-4000	AC UNIT	
4	ORA-4100	ASSY MAIN ELEC	
5	ORA-4200	ASSY SUB ELEC	
6	440-DS0313-EG	STICKER D HIGH VOLTAGE ENG	
7	440-WS0002XEG	STICKER W POWER OFF ENG	
9	421-9950-01	STICKER CABINET NUMBER 1	
101	600-7141-91-200	CABLE JVS TYPE A-B 200CM	
102	600-7009-2000	ASSY RGB CA D-SUB 15P 2000MM	
201	030-000630-S	HEX BLT W/S M6x30	
202	060-F00600	FLT WSHR M6	
203	032-000630	WING BLT M6x30	
204	060-S00600	SPR WSHR M6	
205	011-T03512	TAP SCR TH 3.5x12	
301	ORA-61001X	WH DLP AC200V AC UNIT OUT	
302	ORA-61006X	WH AC100V SUB ELEC IN	
303	ORA-61009X	WH DLP FAN L	
304	ORA-61010X	WH DLP EARTH SUB ELEC	
305	ORA-61016	WH DLP MAIN TO SUB ELEC DC	
306	ORA-61019	WH COIN I/O & SOUND	
307	ORA-61020	WH DLP INTERFACE I/O EXT	
308	ORA-61027X	WH FRONT I/O & RFID	
309	ORA-61041	WH STR ENCODER EXT	
310	ORA-61046	WH STR MOTOR POWER EXT	
311	ORA-61061	WH DLP POWER	
312	ORA-61066X	WH DLP AC DISTRIBUTION	
313	ORA-65005	WH CPT SW AC UNIT IN UL	
314	ORA-61096X	WH DLP SERIAL	
316	ORA-61152X	WH EARTH DLP TO FRONT	
317	ORA-61163X	WH DLP FAN R	
318	ORA-65006	WH CPT SW IN UL	
319	ORA-61130X	WH SOUND GAME BD TO SOUND AMP	
320	ORA-61065	WH EARTH DLP	
321	ORA-61081	WH DLP1 SW AC200V	
322	ORA-61090X	WH DLP1 RS422	
323	ORA-61110X	WH RCA DLP1 TO 1	
324	ORA-61111	WH RCA DLP1 TO 2	
325	ORA-61112	WH RCA DLP1 TO 3	
326	ORA-61113	WH RCA DLP1 TO 4	
327	ORA-61120	WH LAN DLP1 TO 1	
328	ORA-61121	WH LAN DLP1 TO 2	
329	ORA-61122	WH LAN DLP1 TO 3	
330	ORA-61123	WH LAN DLP1 TO 4	
/	ORA-62002X	WH DLP BASE AC120V EXP	
/	ORA-61191	WH AC24V DLP BASE	
/	ORA-64000	WH AC POWER COCKPIT UL	
/	270-5117	FERRITE CORE TDK ZCAT3035-1330	

1 CABINET (COCKPIT, DLP)

8 ASSY DLP BASE 2P (ORA-1500-02)

(D-1/2)



8 ASSY DLP BASE 2P (ORA-1500-02)

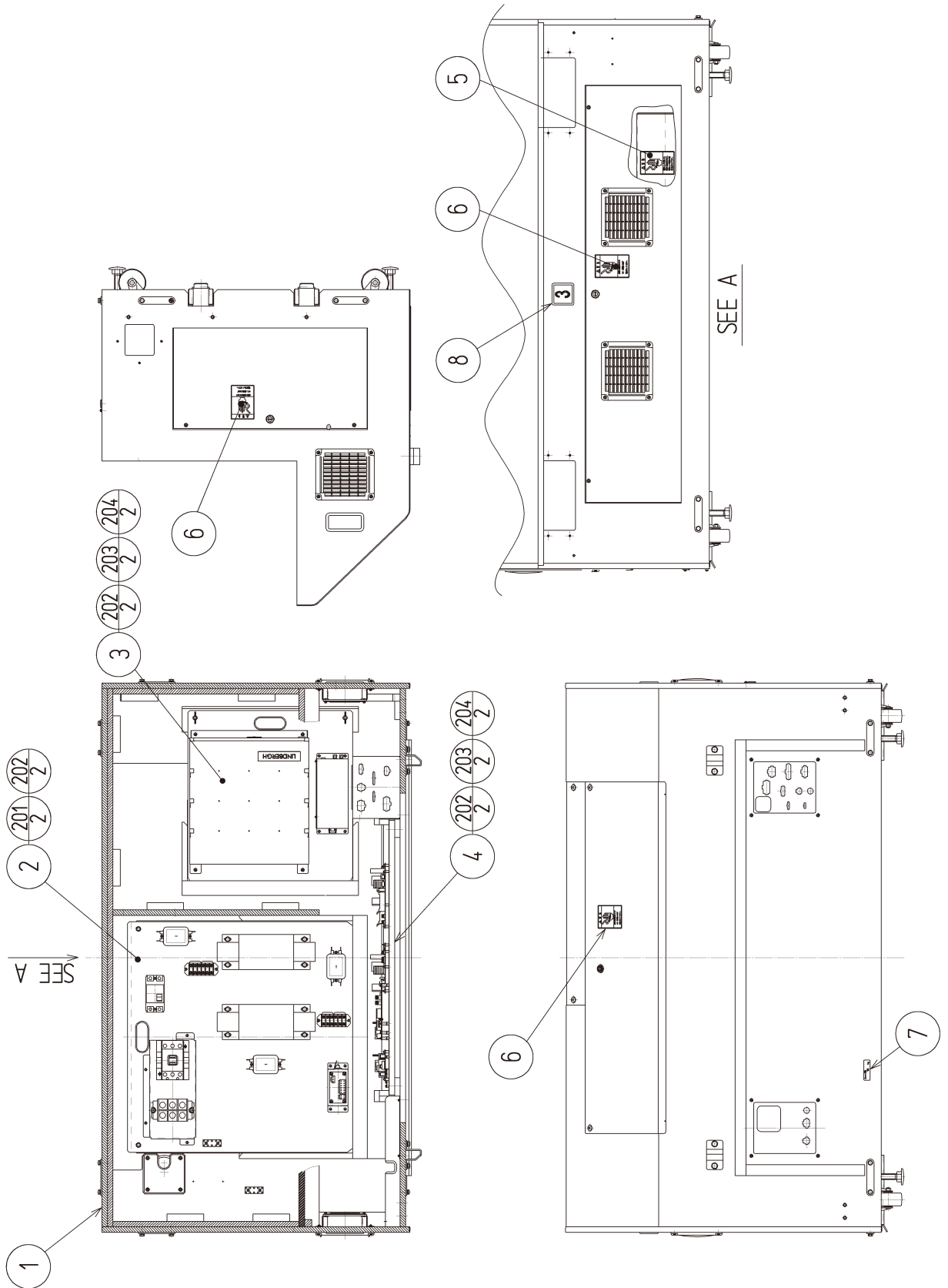
(D-2/2)

ITEM NO.	PART NO.	DESCRIPTION	NOTE
1	ORA-1501	ASSY SUB CABI DLP BASE	
2	ORA-4000	AC UNIT	
3	ORA-4100	ASSY MAIN ELEC	
4	ORA-4200	ASSY SUB ELEC	
5	440-DS0313-EG	STICKER D HIGH VOLTAGE ENG	
6	440-WS0002XEG	STICKER W POWER OFF ENG	
8	421-9950-02	STICKER CABINET NUMBER 2	
101	600-7141-91-200	CABLE JVSTYPE A-B 200CM	
102	600-7009-2000	ASSY RGB CA D-SUB 15P 2000MM	
201	030-000630-S	HEX BLT W/S M6x30	
202	060-F00600	FLT WSHR M6	
203	032-000630	WING BLT M6x30	
204	060-S00600	SPR WSHR M6	
301	ORA-61001X	WH DLP AC200V AC UNIT OUT	
302	ORA-61006X	WH AC100V SUB ELEC IN	
303	ORA-61009X	WH DLP FAN L	
304	ORA-61010X	WH DLP EARTH SUB ELEC	
305	ORA-61016	WH DLP MAIN TO SUB ELEC DC	
306	ORA-61019	WH COIN I/O & SOUND	
307	ORA-61020	WH DLP INTERFACE I/O EXT	
308	ORA-61027X	WH FRONT I/O & RFID	
309	ORA-61041	WH STR ENCODER EXT	
310	ORA-61046	WH STR MOTOR POWER EXT	
311	ORA-61061	WH DLP POWER	
312	ORA-61066X	WH DLP AC DISTRIBUTION	
313	ORA-65005	WH CPT SW AC UNIT IN UL	
314	ORA-61096X	WH DLP SERIAL	
315	ORA-61150X	WH EARTH DLP COUPLING	
316	ORA-61152X	WH EARTH DLP TO FRONT	
317	ORA-61163X	WH DLP FAN R	
318	ORA-65006	WH CPT SW IN UL	
319	ORA-61130X	WH SOUND GAME BD TO SOUND AMP	
320	ORA-61065	WH EARTH DLP	
321	ORA-61082	WH DLP2 SW AC200V	
322	ORA-61091X	WH DLP2 RS422	
323	ORA-61114X	WH RCA DLP2 TO 2	
324	ORA-61115	WH RCA DLP2 TO 3	
325	ORA-61116	WH RCA DLP2 TO 4	
326	ORA-61124	WH LAN DLP2 TO 2	
327	ORA-61125	WH LAN DLP2 TO 3	
328	ORA-61126	WH LAN DLP2 TO 4	
/	ORA-62002X	WH DLP BASE AC120V EXP	
/	ORA-61191	WH AC24V DLP BASE	
/	ORA-64000	WH AC POWER COCKPIT UL	
/	270-5117	FERRITE CORE TDK ZCAT3035-1330	

1 CABINET (COCKPIT, DLP)

9 ASSY DLP BASE 3P (ORA-1500-03)

(D-1/2)



9 ASSY DLP BASE 3P (ORA-1500-03)

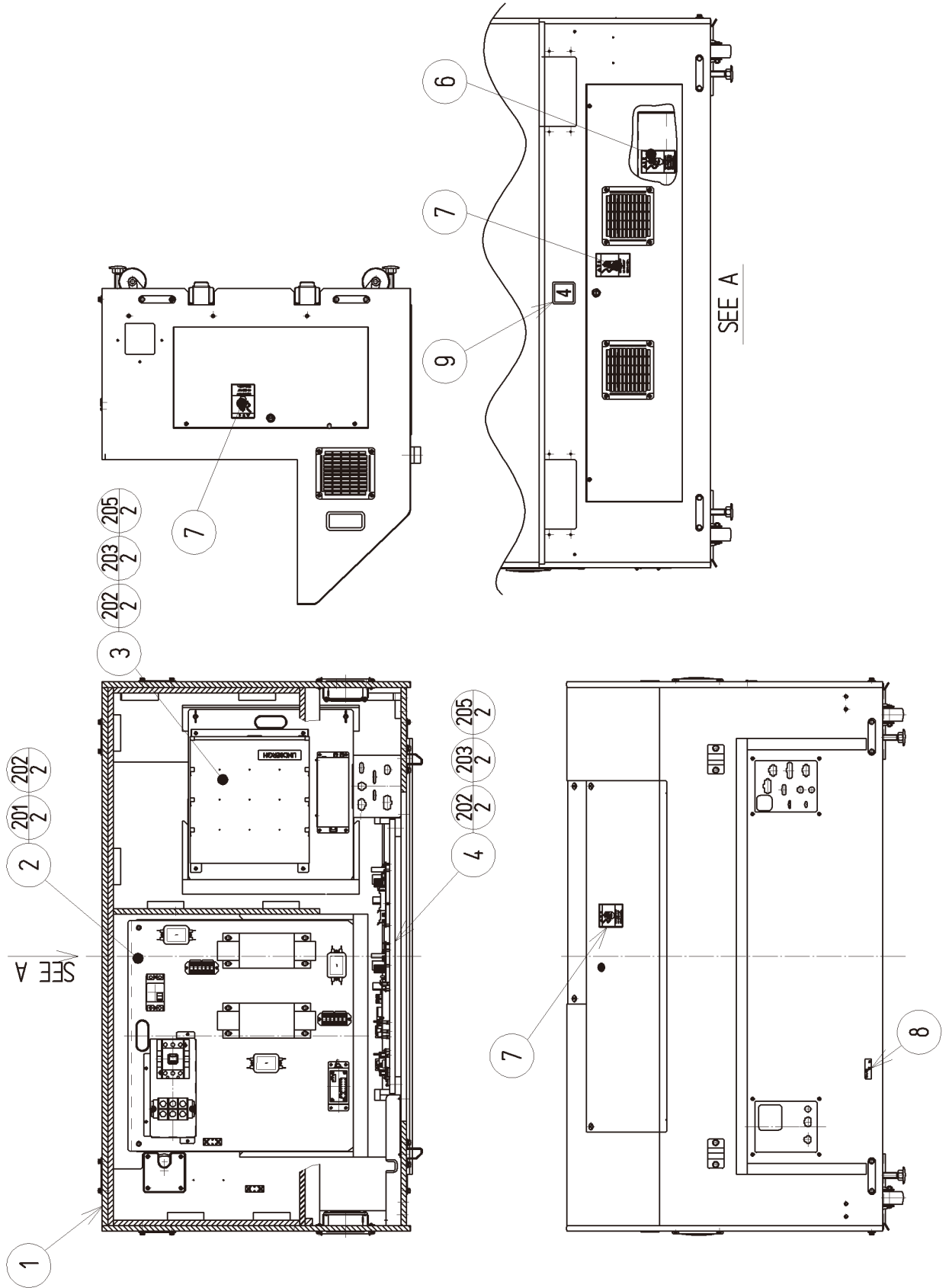
(D-2/2)

ITEM NO.	PART NO.	DESCRIPTION	NOTE
1	ORA-1501	ASSY SUB CABI DLP BASE	
2	ORA-4000	AC UNIT	
3	ORA-4100	ASSY MAIN ELEC	
4	ORA-4200	ASSY SUB ELEC	
5	440-DS0313-EG	STICKER D HIGH VOLTAGE ENG	
6	440-WS0002XEG	STICKER W POWER OFF ENG	
8	421-9950-03	STICKER CABINET NUMBER 3	
101	600-7141-91-200	CABLE JVSTYPE A-B 200CM	
102	600-7009-2000	ASSY RGB CA D-SUB 15P 2000MM	
201	030-000630-S	HEX BLT W/S M6x30	
202	060-F00600	FLT WSHR M6	
203	032-000630	WING BLT M6x30	
204	060-500600	SPR WSHR M6	
301	ORA-61001X	WH DLP AC200V AC UNIT OUT	
302	ORA-61006X	WH AC100V SUB ELEC IN	
303	ORA-61009X	WH DLP FAN L	
304	ORA-61010X	WH DLP EARTH SUB ELEC	
305	ORA-61016	WH DLP MAIN TO SUB ELEC DC	
306	ORA-61019	WH COIN I/O & SOUND	
307	ORA-61020	WH DLP INTERFACE I/O EXT	
308	ORA-61027X	WH FRONT I/O & RFID	
309	ORA-61041	WH STR ENCODER EXT	
310	ORA-61046	WH STR MOTOR POWER EXT	
311	ORA-61061	WH DLP POWER	
312	ORA-61066X	WH DLP AC DISTRIBUTION	
313	ORA-65005	WH CPT SW AC UNIT IN UL	
314	ORA-61096X	WH DLP SERIAL	
315	ORA-61150X	WH EARTH DLP COUPLING	
316	ORA-61152X	WH EARTH DLP TO FRONT	
317	ORA-61163X	WH DLP FAN R	
318	ORA-65006	WH CPT SW IN UL	
319	ORA-61130X	WH SOUND GAME BD TO SOUND AMP	
320	ORA-61065	WH EARTH DLP	
321	ORA-61083	WH DLP3 SW AC200V	
322	ORA-61092X	WH DLP3 RS422	
323	ORA-61117X	WH RCA DLP3 TO 3	
324	ORA-61118	WH RCA DLP3 TO 4	
325	ORA-61127	WH LAN DLP3 TO 3	
326	ORA-61128	WH LAN DLP3 TO 4	
/	ORA-62002X	WH DLP BASE AC120V EXP	
/	ORA-61191	WH AC24V DLP BASE	
/	ORA-64000	WH AC POWER COCKPIT UL	
/	270-5117	FERRITE CORE TDK ZCAT3035-1330	

1 CABINET (COCKPIT, DLP)

10 ASSY DLP BASE 4P (ORA-1500-04)

(D-1/2)



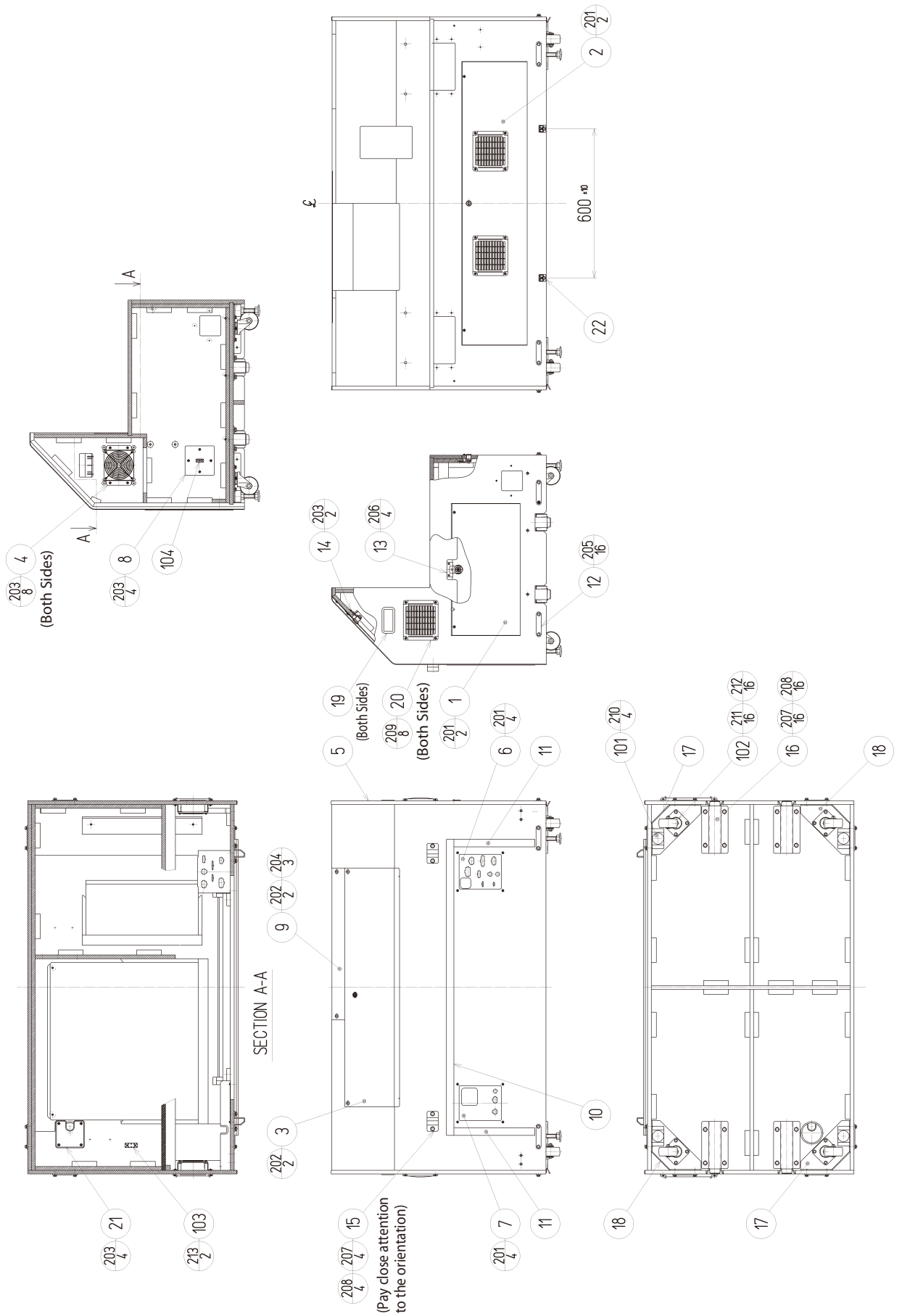
10 ASSY DLP BASE 4P (ORA-1500-04)**(D-2/2)**

ITEM NO.	PART NO.	DESCRIPTION	NOTE
1	ORA-1501	ASSY SUB CABI DLP BASE	
2	ORA-4000	AC UNIT	
3	ORA-4100	ASSY MAIN ELEC	
4	ORA-4200	ASSY SUB ELEC	
6	440-DS0313-EG	STICKER D HIGH VOLTAGE ENG	
7	440-WS0002XEG	STICKER W POWER OFF ENG	
9	421-9950-04	STICKER CABINET NUMBER 4	
101	600-7141-91-200	CABLE JVSTYPE A-B 200CM	
102	600-7009-2000	ASSY RGB CA D-SUB 15P 2000MM	
201	030-000630-S	HEX BLT W/S M6x30	
202	060-F00600	FLT WSHR M6	
203	032-000630	WING BLT M6x30	
205	060-500600	SPR WSHR M6	
301	ORA-61001X	WH DLP AC200V AC UNIT OUT	
302	ORA-61006X	WH AC100V SUB ELEC IN	
303	ORA-61009X	WH DLP FAN L	
304	ORA-61010X	WH DLP EARTH SUB ELEC	
305	ORA-61016	WH DLP MAIN TO SUB ELEC DC	
306	ORA-61019	WH COIN I/O & SOUND	
307	ORA-61020	WH DLP INTERFACE I/O EXT	
308	ORA-61027X	WH FRONT I/O & RFID	
309	ORA-61041	WH STR ENCODER EXT	
310	ORA-61046	WH STR MOTOR POWER EXT	
311	ORA-61061	WH DLP POWER	
312	ORA-61066X	WH DLP AC DISTRIBUTION	
313	ORA-65005	WH CPT SW AC UNIT IN UL	
314	ORA-61096X	WH DLP SERIAL	
315	ORA-61150X	WH EARTH DLP COUPLING	
316	ORA-61152X	WH EARTH DLP TO FRONT	
317	ORA-61163X	WH DLP FAN R	
318	ORA-65006	WH CPT SW IN UL	
319	ORA-61130X	WH SOUND GAME BD TO SOUND AMP	
320	ORA-61065	WH EARTH DLP	
321	ORA-61084	WH DLP4 SW AC200V	
322	ORA-61093	WH DLP4 RS422	
323	ORA-61119X	WH RCA DLP4 TO 4	
324	ORA-61129	WH LAN DLP4 TO 4	
/	ORA-62002X	WH DLP BASE AC120V EXP	
/	ORA-61191	WH AC24V DLP BASE	
/	ORA-64000	WH AC POWER COCKPIT UL	
/	270-5117	FERRITE CORE TDK ZCAT3035-1330	

1 CABINET (COCKPIT, DLP)

11 ASSY SUB CABI DLP BASE (ORA-1501)

(D-1/2)



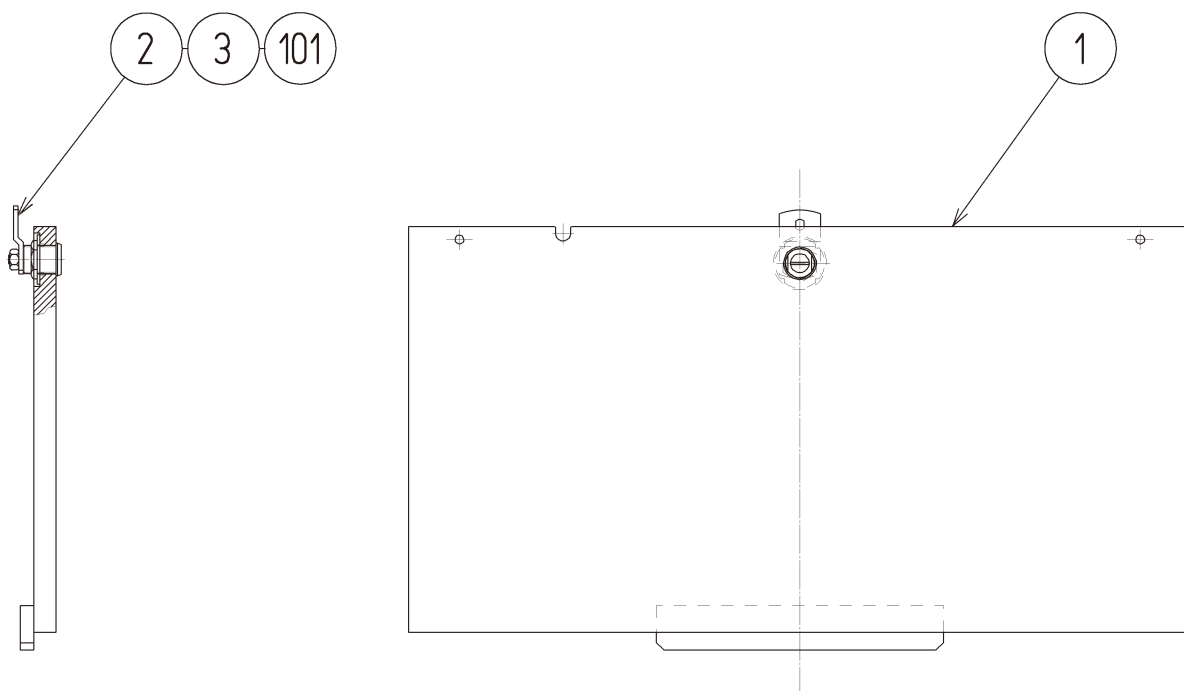
11 ASSY SUB CABI DLP BASE (ORA-1501)**(D-2/2)**

ITEM NO.	PART NO.	DESCRIPTION	NOTE
1	ORA-1600	ASSY MAIN BD DOOR	
2	ORA-1650	ASSY DLP BACK DOOR	
3	ORA-1700	ASSY DLP FRONT DOOR	
4	SPY-1080	FAN UNIT	
5	ORA-1502X	DLP CABINET	
6	ORA-1503	CONNECTOR PANEL UPPER	
7	ORA-1504	CONNECTOR PANEL LOWER	
8	ORA-1505	POWER SW PLATE	
9	ORA-1506	FRONT BEAM	
10	ORA-1507	JOINT RUBBER UPPER	
11	ORA-1508	JOINT RUBBER SIDE	
12	117-5284-91	PLATE 6-80 BLACK	
13	ORA-1510	TNG RETAINER PLATE A	
14	ORA-1511	TNG RETAINER PLATE B	
15	ORA-1512	FRONT CABI ADJUSTER	
16	ORA-1513	JOINT BOX ADJUSTER	
17	FRQ-1009	LEG CASTER BRKT A	
18	FRQ-1012	LEG CASTER BRKT B	
19	253-5396-91	CABINET HANDLE	
20	253-5460-01	AIR VENT BLACK	
21	ORA-1515	PWR SPLY LID	
22	421-11416	STICKER CAUTION FORK	
101	601-5699X	LEG ADJUSTER BOLT M16x75	
102	601-9377	CASTER FAI=75	
103	117-5402-10-91	EARTH TERMINAL PLATE 10P	
104	509-6102-V-B	SW ROCKER J8 V-B AJ8202BF	
105	280-6676	CORD CLAMP TL-25A TTK	
201	000-P00430-WB	M SCR PH W/FS BLK M4x30	
202	000-T00520-0B	M SCR TH BLK M5x20	
203	000-P00416-W	M SCR PH W/FS M4x16	
204	000-F00510	M SCR FH M5x10	
205	030-000625-SB	HEX BLT W/S BLK M6x25	
206	011-T03512	TAP SCR TH 3.5x12	
207	030-000820-SB	HEX BLT W/S BLK M8x20	
208	060-F00800-0B	FLT WSHR BLK M8	
209	000-T00416-0B	M SCR TH BLK M4x16	
210	050-H01600-3	HEX NUT TYPE3 M16	
211	030-000616-S	HEX BLT W/S M6x16	
212	060-F00600	FLT WSHR M6	
213	000-F00416	M SCR FH M4x16	
214	011-F00312	TAP SCR #1 FH 3x12	

1 CABINET (COCKPIT, DLP)

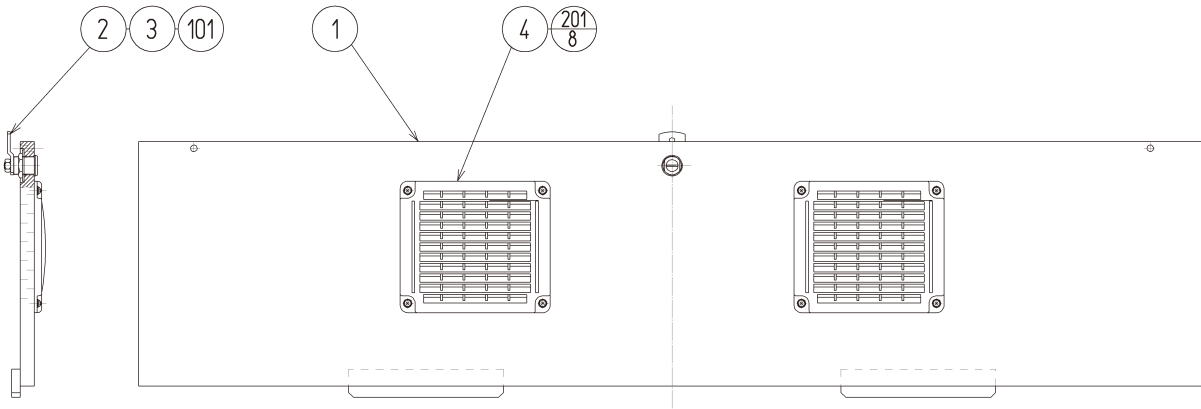
12 ASSY MAIN BD DOOR (ORA-1600)

1 CABINET (COCKPIT, DLP)



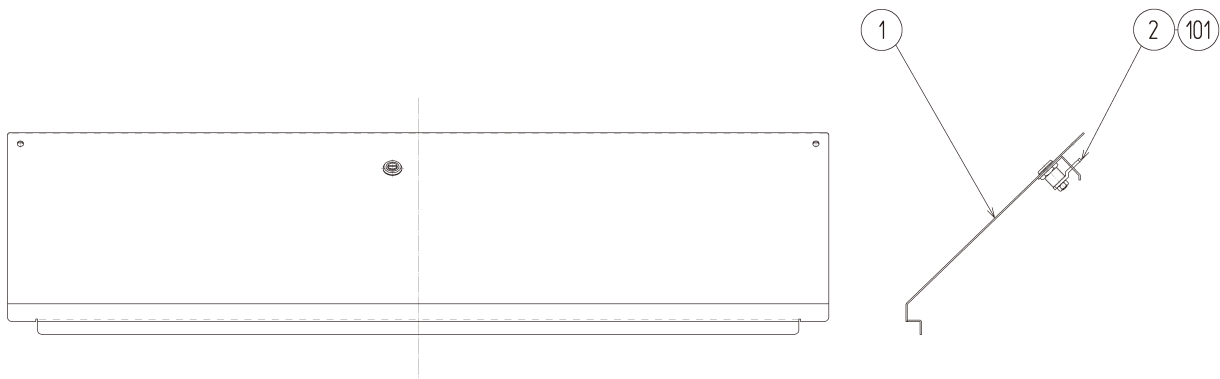
ITEM NO.	PART NO.	DESCRIPTION	NOTE
1	ORA-1601	MAIN BD DOOR	
2	DP-1148X	LKG TNG	
3	117-0062	PLATE LOCK RETAINER	
101	220-5793-1-A001	CLY LOCK MASTER W/O KEY A001	

13 ASSY DLP BACK DOOR (ORA-1650)



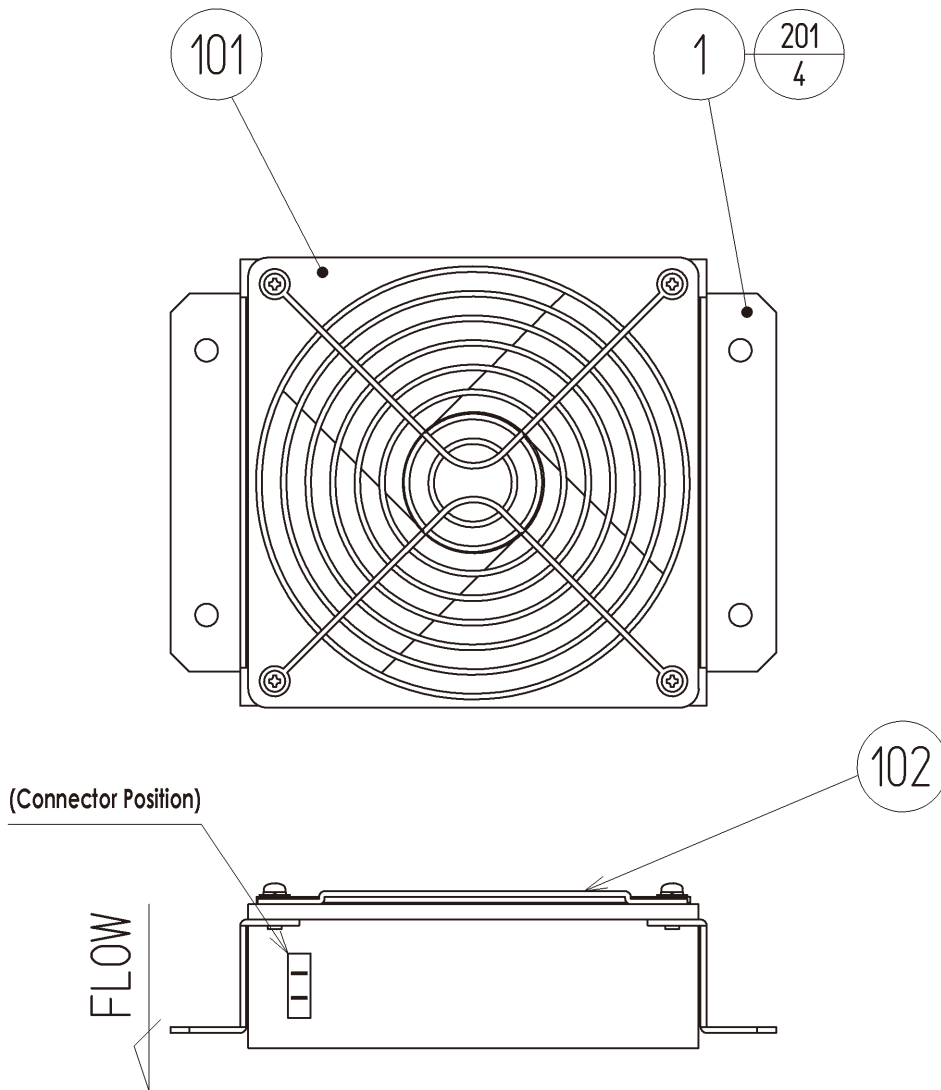
ITEM NO.	PART NO.	DESCRIPTION	NOTE
1	ORA-1651	BACK DOOR	
2	DP-1148X	LKG TNG	
3	117-0062	PLATE LOCK RETAINER	
4	253-5460-01	AIR VENT BLACK	
101	220-5793-1-A001	CLY LOCK MASTER W/O KEY A001	
201	000-P00416-WB	M SCR PH W/FS BLK M4x16	

14 ASSY DLP FRONT DOOR (ORA-1700)



ITEM NO.	PART NO.	DESCRIPTION	NOTE
1	ORA-1701	FRONT DOOR	
2	DP-1148X	LKG TNG	
101	220-5793-1-A001	CLY LOCK MASTER W/O KEY A001	

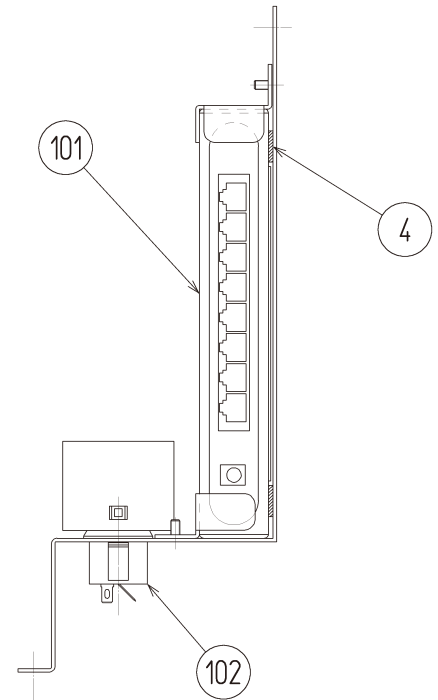
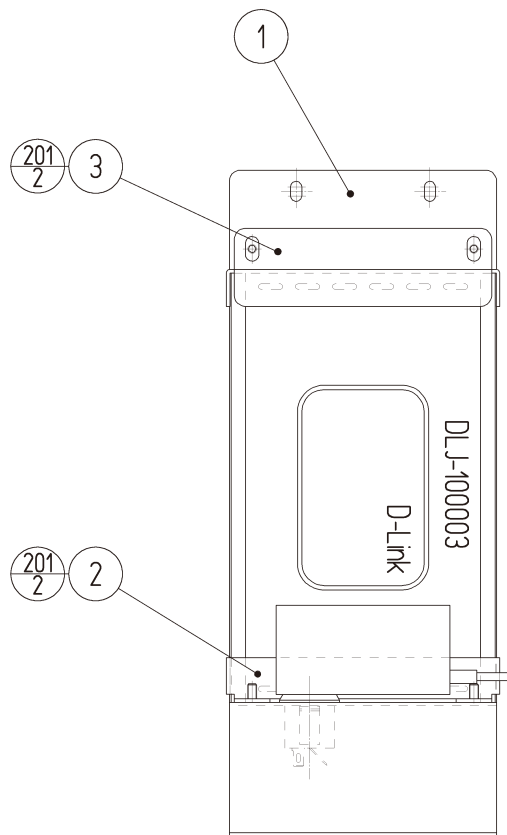
15 FAN UNIT (SPY-1080)



ITEM NO.	PART NO.	DESCRIPTION	NOTE
1	SPY-1081X	FAN BRKT	
101	260-0011-03	AXIAL FLOW FAN AC100V 50-60HZ	
102	601-8543	FAN GUARD	
201	000-P00312-W	M SCR PH W/FS M3x12	

16 ASSY HUB (ORA-1550)

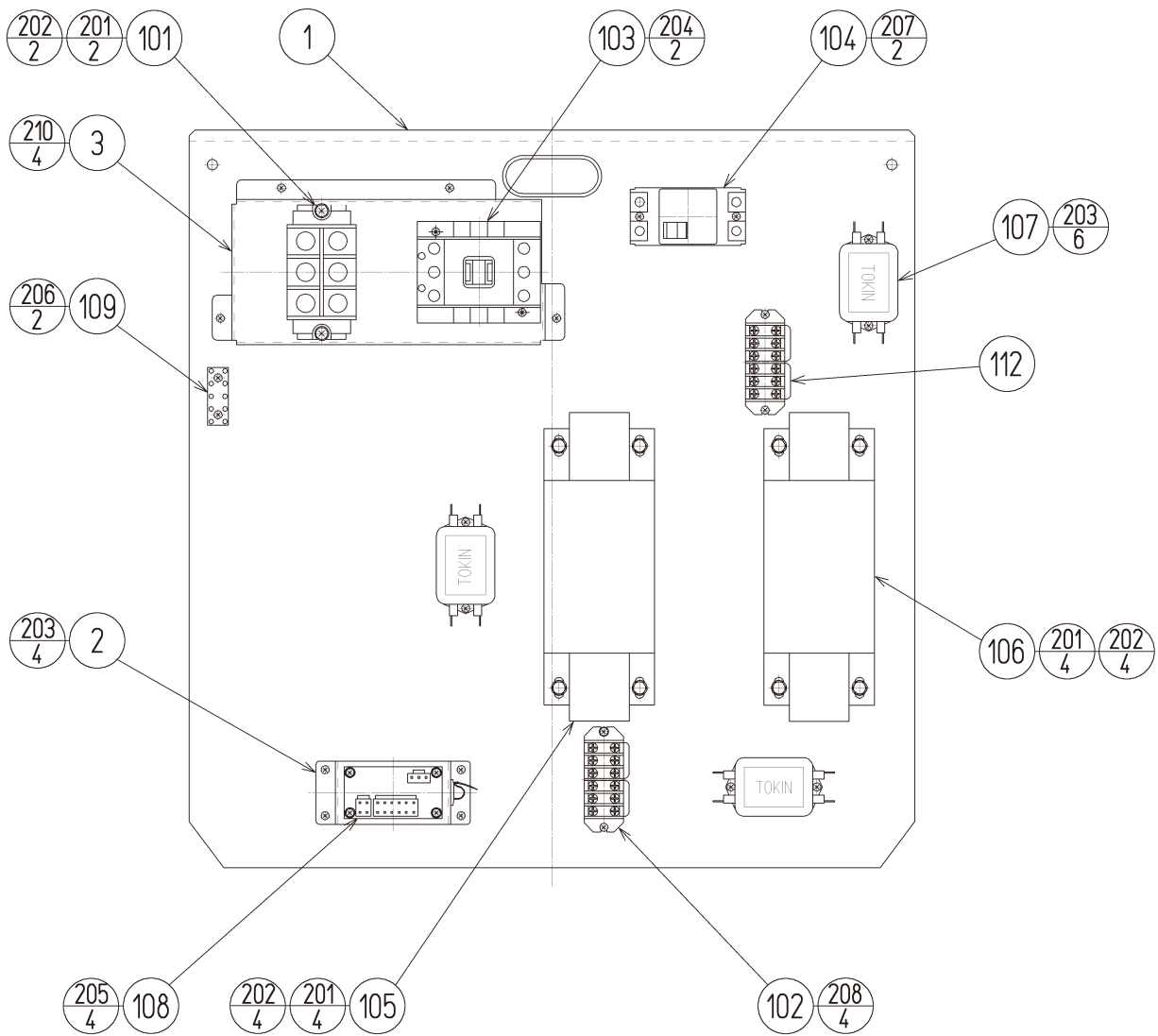
(D-1/2)



ITEM NO.	PART NO.	DESCRIPTION	NOTE
1	ORA-1552	HUB BASE	
2	ORA-1553	HUB HOLDER LOWER	
3	ORA-1554	HUB HOLDER UPPER	
4	ORA-1555	HUB CUSHION	
101	601-11837-01	SW HUB D-LINK DGS-1008D UL	
102	601-6851	AC OUTLET W/EARTH	
201	050-F00400	FLG NUT M4	
301	ORA-61094	WH HUB AC POWER	

17 AC UNIT (ORA-4000)

(D-1/2)



1 CABINET (COCKPIT, DLP)

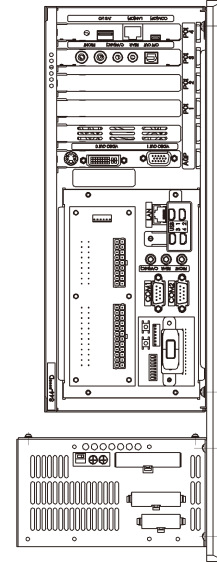
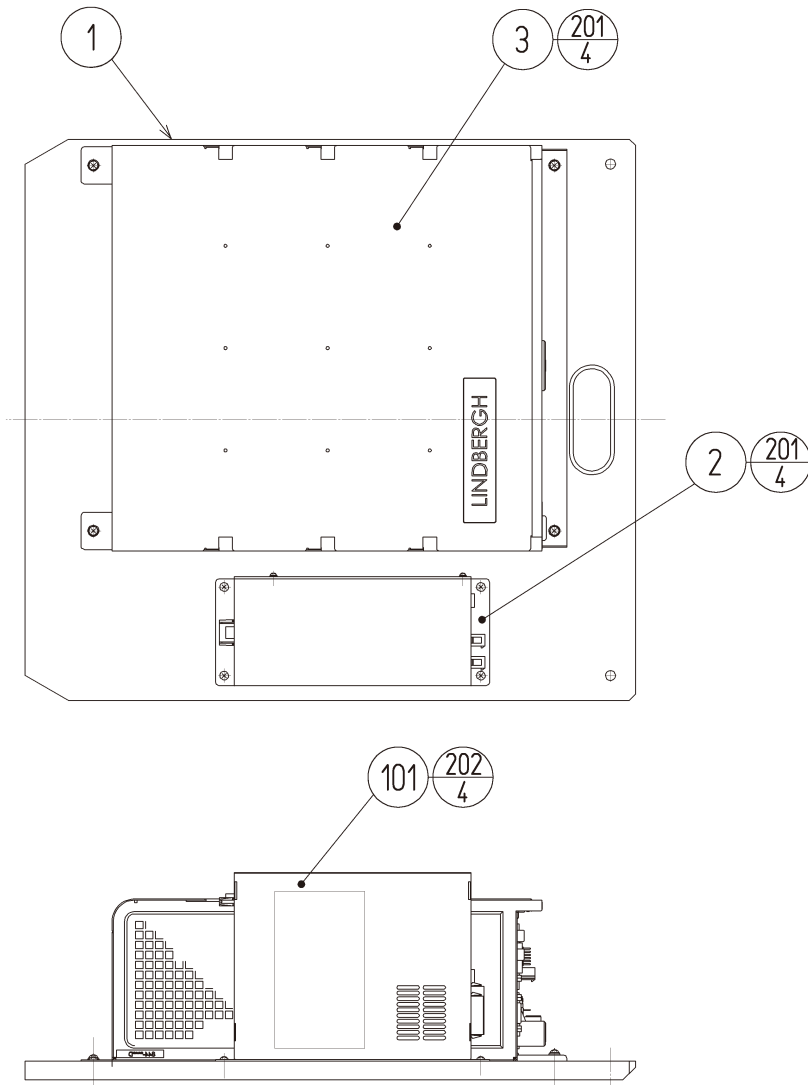
17 AC UNIT (ORA-4000)

(D-2/2)

1 CABINET (COCKPIT, DLP)

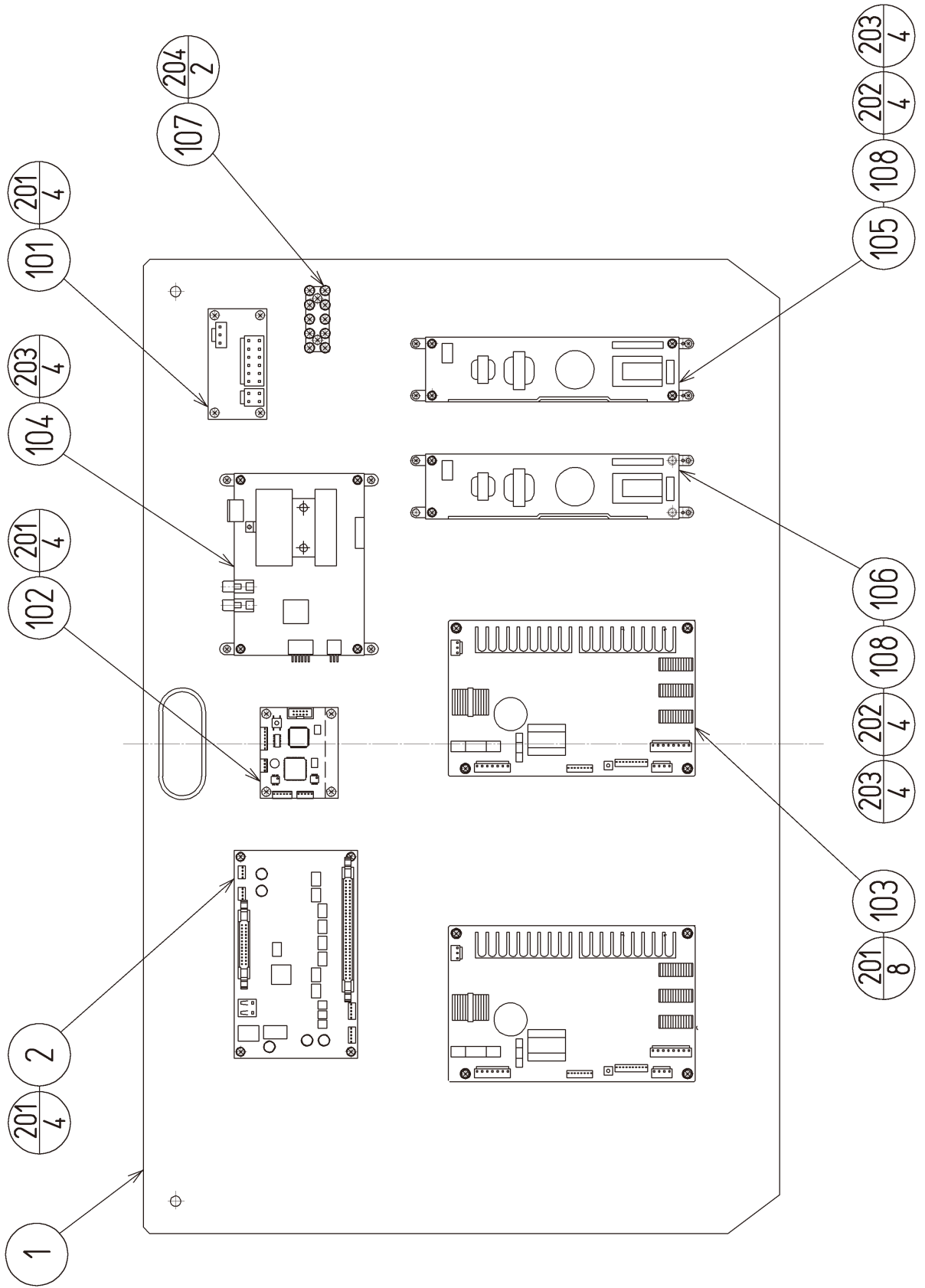
ITEM NO.	PART NO.	DESCRIPTION	NOTE
1	ORA-4001X	AC UNIT BASE	
2	ORA-4002	DISTRIBUTION BRKT	
3	ORA-4003X	TERMINAL PLATE COVER	
4	421-12250-02	STICKER AC IN 208V	
101	117-5446	TERMINAL 125A UK125 3P	
102	117-5447	TERMINAL 25A JTP20 6P	
103	450-5206	CONTACTER SC-N3 AC200V	
104	512-5081	BREAKER EA32AC/30	
105	560-5550-V	XFMR 200-230V 200V 12A WB	
106	560-5551-V-91	XFMR 200-230V 100V 120V 22A WB	
107	270-5115	NOISE FILTER 15A GT-215J	
108	838-14551	DISTRIBUTION BD	
109	117-5402-10-91	EARTH TERMINAL PLATE 10P	
110	280-5292	CORD CLAMP 18 PUSH TYPE	
111	280-6676	CORD CLAMP TL-25A TTK	
112	601-11891	SHORT BAR JTP20-3S	
113	280-0419	HARNESS LUG	
201	030-000620-S	HEX BLT W/S M6x20	
202	060-F00600	FLT WSHR M6	
203	011-T03512	TAP SCR TH 3.5x12	
204	000-P00425-W	M SCR PH W/FS M4x25	
205	000-P00320-W	M SCR PH W/FS M3x20	
206	011-F03516	TAP SCR FH 3.5x16	
207	FAS-110022	TAP SCR PH #1 3.5x60	
208	011-T03516	TAP SCR TH 3.5x16	
209	011-F00310	TAP SCR FH 3x10	
210	000-P00416-W	M SCR PH W/FS M4x16	
301	ORA-61067X	WH AC200V OUT	
302	ORA-61068X	WH AC UNIT DISTRIBUTION IN	
303	ORA-61069X	WH AC UNIT DLP POWER	
304	ORA-61078X	WH AC UNIT NF OUT	
305	ORA-61174X	WH AC UNIT AC100V NF OUT	
306	ORA-61073X	WH AC100V TRANS IN	
307	ORA-65003	WH AC UNIT BREAKER OUT UL	
308	ORA-65002	WH AC UNIT BREAKER IN UL	
309	ORA-65001	WH AC UNIT AC200V IN UL	
310	ORA-65004	WH AC UNIT MAG CON IN UL	
311	ORA-61164X	WH EARTH AC UNIT AC100V NF IN	
313	ORA-61159	WH EARTH AC UNIT AC200V NF IN	
314	ORA-61167Y	WH EARTH AC UNIT IN	
/	ORA-62001X	WH AC UNIT AC120V EXP	
/	560-5554-V	XFMR 100V 24V 3A WB	
/	ORA-61079	WH 24V TRANS AC100V IN	
/	ORA-61190	WH AC24V AC UNIT	

18 ASSY MAIN ELEC (ORA-4100)



1 CABINET (COCKPIT, DLP)

ITEM NO.	PART NO.	DESCRIPTION	NOTE
1	ORA-4101	MAIN ELEC BASE	
2	ORA-4102	SW REGU BRKT	
3	844-0008D-01	ASSY CASE LBG L 1GB ORA USA	
101	400-5457-91	SW REGU ATX/JVS	
103	280-6676	CORD CLAMP TL-25A TTK	
201	000-P00416-W	M SCR PH W/FS M4x16	
202	000-P00308-W	M SCR PH W/FS M3x8	
203	011-F00310	TAP SCR FH 3x10	
301	600-7360-0300	WH LBG PWR 24P P TO P 0300MM	
302	600-7361-0300	WH LBG PWR 18P P TO P 0300MM	
303	ORA-61011X	WH LBG REG AC IN	
304	ORA-61015X	WH MAIN ELEC I/O DC	
305	ORA-61095	WH MAIN ELEC SERIAL	



19 ASSY SUB ELEC (ORA-4200)**(D-2/2)**

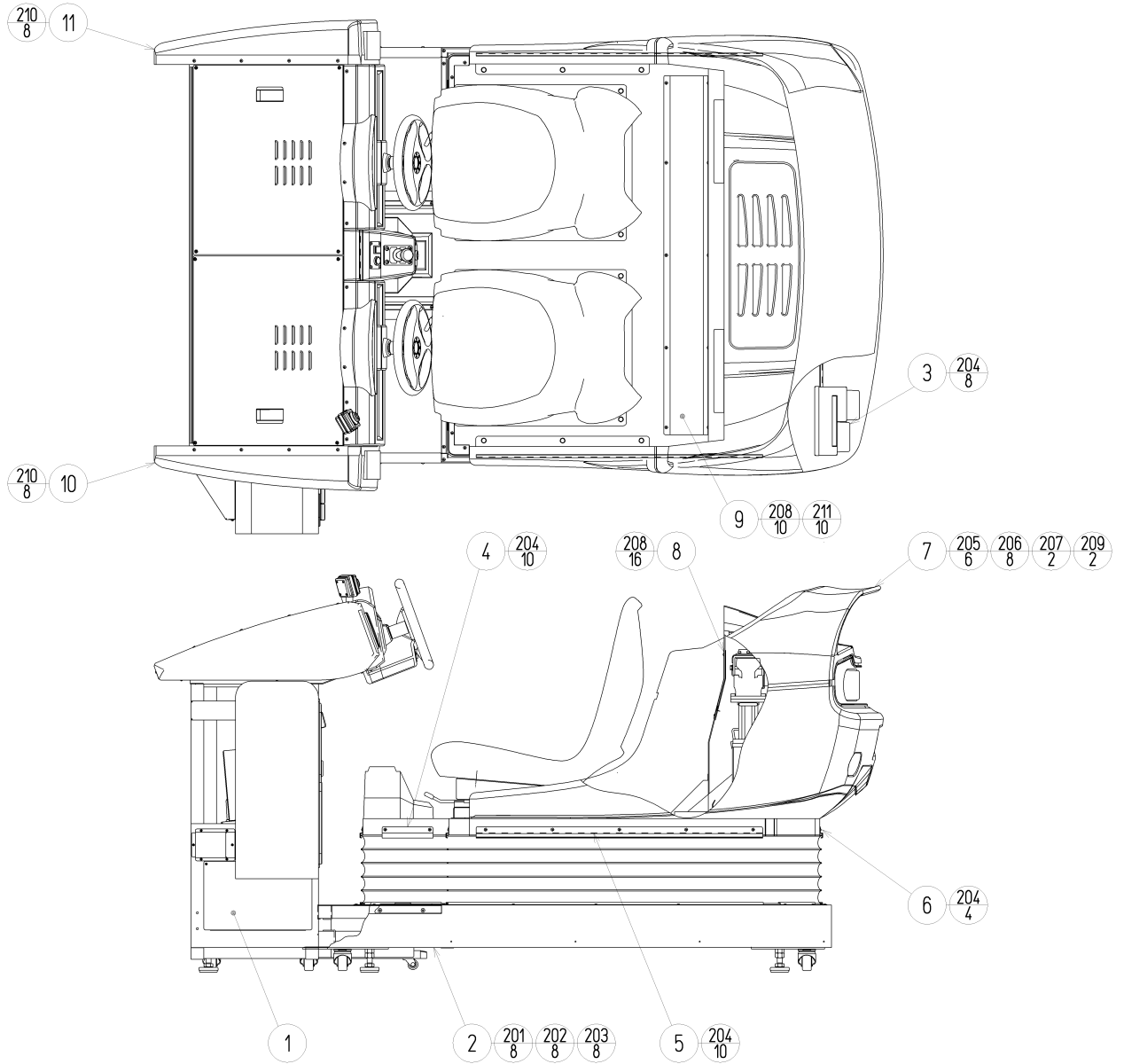
ITEM NO.	PART NO.	DESCRIPTION	NOTE
1	ORA-4201	SUB ELEC BASE	
2	837-14505	I/O CONTROL BD FOR JVS	
101	838-14551	DISTRIBUTION BD	
102	838-14597	MOTOR DRIVE SWITCH BD	
103	838-14592-91	SERVO MOTOR DRIVE BD SER	
104	838-14515-A01	SOUND AMP ANALOG IN	
105	400-5421-05024Y	SW REGU LCA50S-24-Y	
106	400-5421-05012Y	SW REGU LCA50S-12-Y	
107	117-5402-10-91	EARTH TERMINAL PLATE 10P	
108	280-6681	L-LOCK LT-320PCG	
110	280-6676	CORD CLAMP TL-25A TTK	
201	011-P00320	TAP SCR PH 3x20	
202	000-P00308-W	M SCR PH W/FS M3x8	
203	011-T03516	TAP SCR TH 3.5x16	
204	011-F03516	TAP SCR FH 3.5x16	
205	011-F00310	TAP SCR FH 3x10	
301	ORA-61017X	WH DC SUB ELEC IN	
302	ORA-61018	WH SOUND AMP OUT	
303	ORA-61021	WH SUB ELEC ANALOG I/O	
304	ORA-61026X	WH I/O SUB ELEC	
305	ORA-61040X	WH STR ENCODER IN	
306	ORA-61045X	WH STR MOTOR POWER OUT	
308	ORA-61056X	WH DC SOUND AMP IN	
309	ORA-61055Y	WH AC100V SUB ELEC REGU IN EXP	
310	ORA-61097X	WH STR SWITCH BD OUT L	
311	ORA-61098X	WH STR SWITCH BD OUT R	
312	ORA-61050	WH JUMPER1 STR FEEDBACK	
313	ORA-61054X	WH AC100V IN STR FEEDBACK	
314	ORA-61051	WH JUMPER2 STR FEEDBACK	
/	HDF-4102	SW REGU BRKT	
/	050-H00400	HEX NUT M4	
/	060-S00400	SPR WSHR M4	
/	060-F00400	FLT WSHR M4	
/	270-5117	FERRITE CORE TDK ZCAT3035-1330	
/	601-0460	PLASTIC TIE BELT 100 MM	

1 CABINET (COCKPIT, DLP)

20 ASSY COCKPIT RED (ORA-3000-01)

(D-1/2)

1 CABINET (COCKPIT, DLP)



20 ASSY COCKPIT RED (ORA-3000-01)**(D-2/2)**

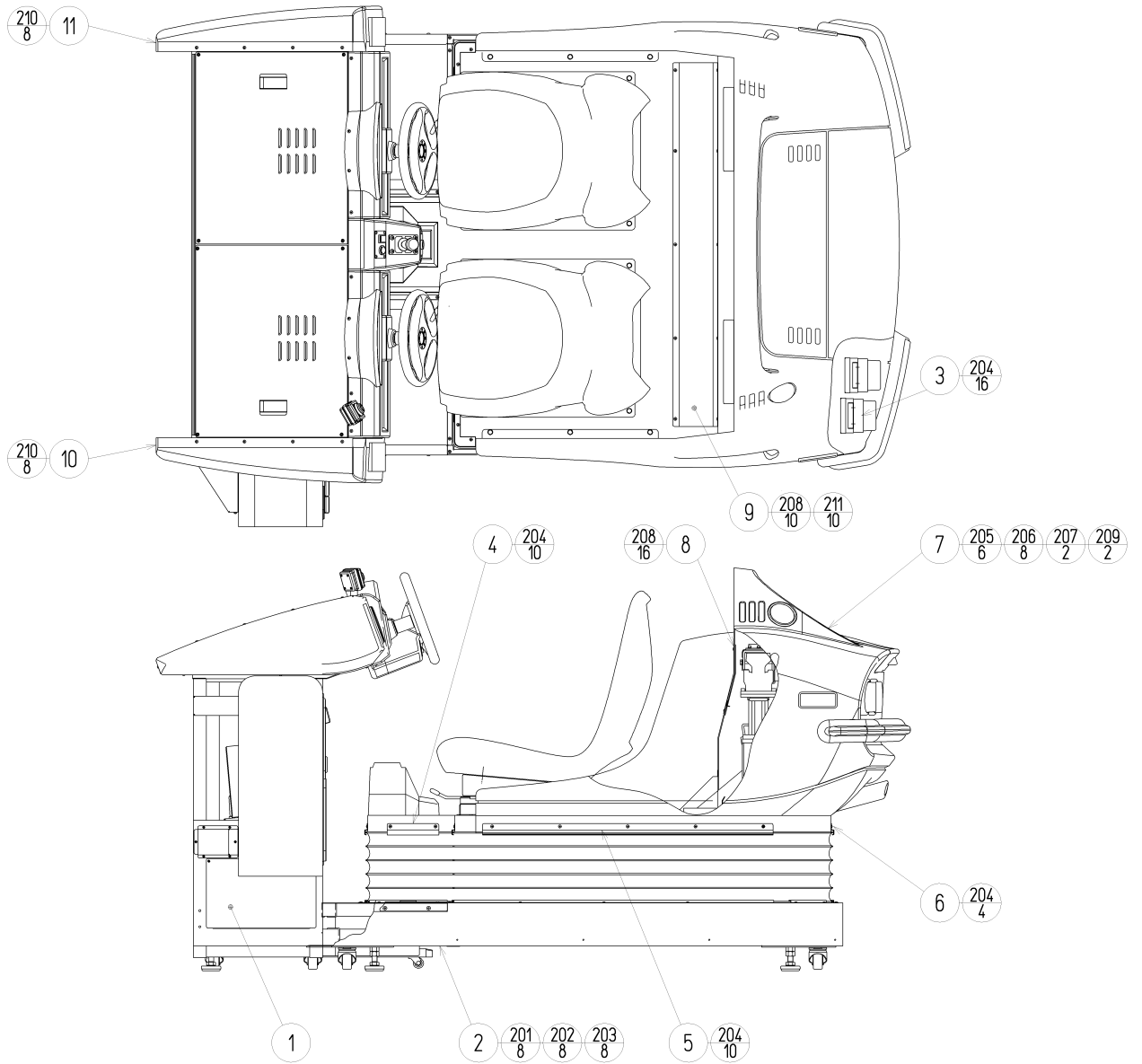
ITEM NO.	PART NO.	DESCRIPTION	NOTE
1	ORA-3100	ASSY FRONT CABI	
2	ORA-3500	ASSY REAR CABI	
3	ORA-3900-01	ASSY TAIL LAMP F50	
4	ORA-3512	BELLOWS HOLDER UPPER FRONT	
5	ORA-3513	BELLOWS HOLDER UPPER SIDE	
6	ORA-3514	BELLOWS HOLDER UPPER REAR	
7	ORA-3521	CAR BODY F50	
8	ORA-3525X	CAR FRONT UPPER LID	
9	ORA-3526	CAR FRONT LOWER COVER	
10	ORA-3119-01	HANDLE SIDE COVER L RED	
11	ORA-3120-01	HANDLE SIDE COVER R RED	
201	FAS-300050	HEX BLT M10x110	
202	060-F01000	FLT WSHR M10	
203	060-S01000	SPR WSHR M10	
204	000-P00412-WB	M SCR PH W/FS BLK M4x12	
205	030-000820-SB	HEX BLT W/S BLK M8x20	
206	060-F00800-0B	FLT WSHR BLK M8	
207	030-0008A2	HEX BLT M8x120	
208	000-T00416-0B	M SCR TH BLK M4x16	
209	060-S00800	SPR WSHR M8	
210	000-T00410-0B	M SCR TH BLK M4x10	
211	068-441616-0B	FLT WSHR BLK 4.4-16x1.6	
301	ORA-61140	WH TAIL LAMP IN	
302	ORA-61161	WH TAIL LAMP R TO L	

1 CABINET (COCKPIT, DLP)

21 ASSY COCKPIT YELLOW (ORA-3000-02)

(D-1/2)

1 CABINET (COCKPIT, DLP)



21 ASSY COCKPIT YELLOW (ORA-3000-02)**(D-2/2)**

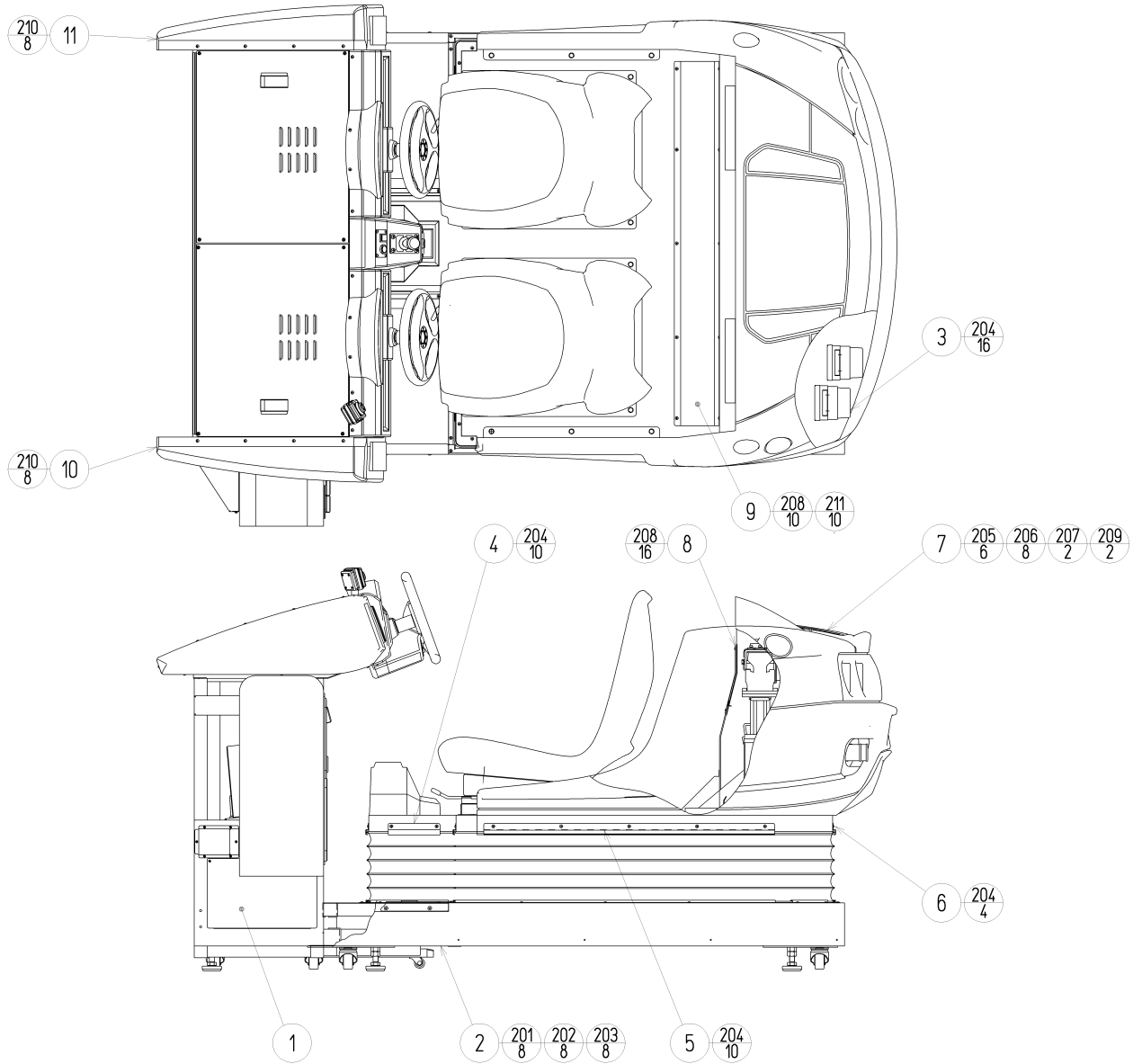
ITEM NO.	PART NO.	DESCRIPTION	NOTE
1	ORA-3100	ASSY FRONT CABI	
2	ORA-3500	ASSY REAR CABI	
3	ORA-3900-02	ASSY TAIL LAMP SINGLE	
4	ORA-3512	BELLOWS HOLDER UPPER FRONT	
5	ORA-3513	BELLOWS HOLDER UPPER SIDE	
6	ORA-3514	BELLOWS HOLDER UPPER REAR	
7	ORA-3522	CAR BODY DINO	
8	ORA-3525X	CAR FRONT UPPER LID	
9	ORA-3526	CAR FRONT LOWER COVER	
10	ORA-3119-02	HANDLE SIDE COVER L YELLOW	
11	ORA-3120-02	HANDLE SIDE COVER R YELLOW	
201	FAS-300050	HEX BLT M10x110	
202	060-F01000	FLT WSHR M10	
203	060-S01000	SPR WSHR M10	
204	000-P00412-WB	M SCR PH W/FS BLK M4x12	
205	030-000820-SB	HEX BLT W/S BLK M8x20	
206	060-F00800-0B	FLT WSHR BLK M8	
207	030-0008A2	HEX BLT M8x120	
208	000-T00416-0B	M SCR TH BLK M4x16	
209	060-S00800	SPR WSHR M8	
210	000-T00410-0B	M SCR TH BLK M4x10	
211	068-441616-0B	FLT WSHR BLK 4.4-16x1.6	
301	ORA-61140	WH TAIL LAMP IN	
302	ORA-61161	WH TAIL LAMP R TO L	
303	ORA-61162	WH TAIL LAMP 1 TO 2 TYPE2	

1 CABINET (COCKPIT, DLP)

22 ASSY COCKPIT BLUE (ORA-3000-03)

(D-1/2)

1 CABINET (COCKPIT, DLP)



22 ASSY COCKPIT BLUE (ORA-3000-03)**(D-2/2)**

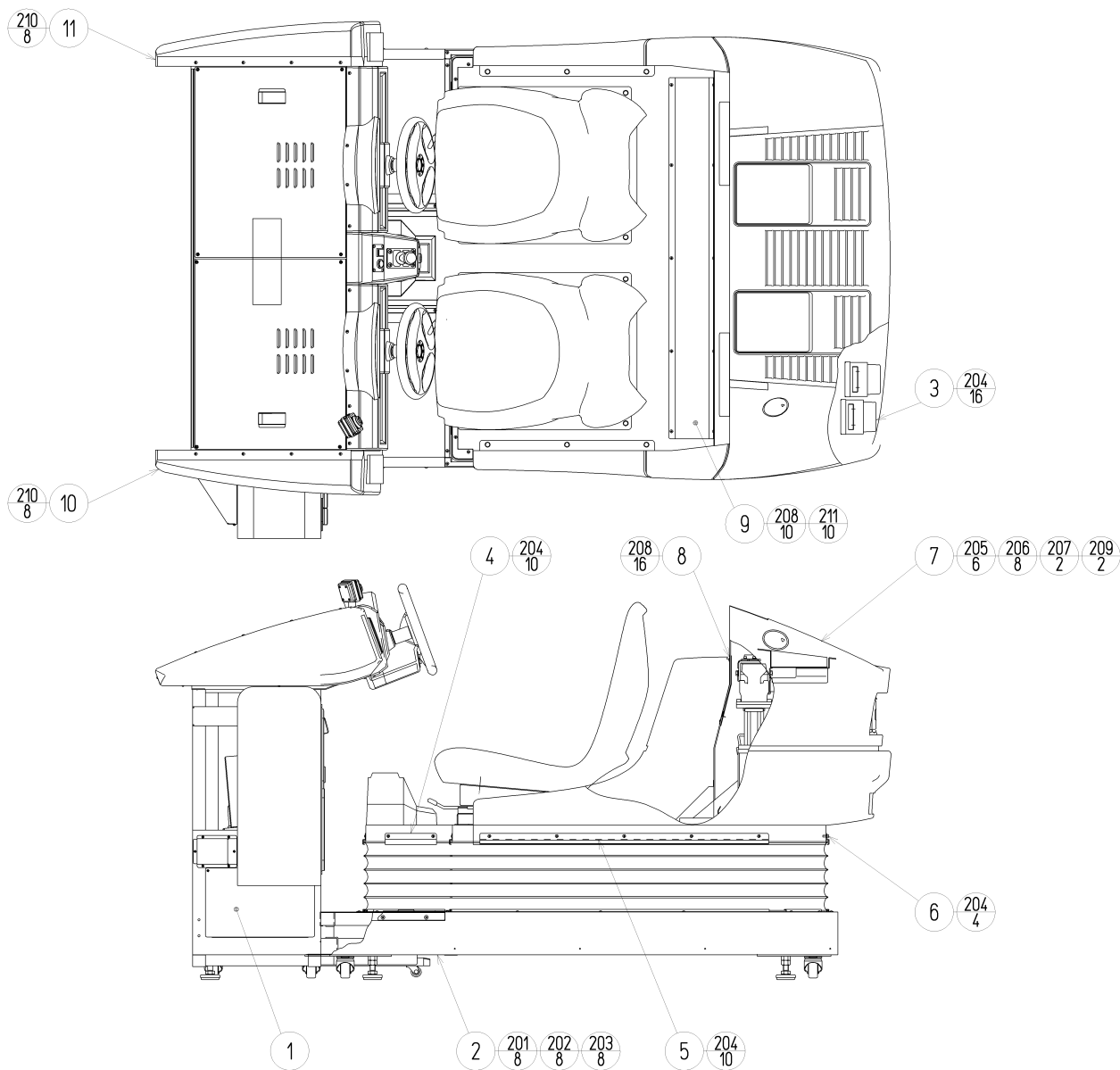
ITEM NO.	PART NO.	DESCRIPTION	NOTE
1	ORA-3100	ASSY FRONT CABI	
2	ORA-3500	ASSY REAR CABI	
3	ORA-3900-02	ASSY TAIL LAMP SINGLE	
4	ORA-3512	BELLOWS HOLDER UPPER FRONT	
5	ORA-3513	BELLOWS HOLDER UPPER SIDE	
6	ORA-3514	BELLOWS HOLDER UPPER REAR	
7	ORA-3523	CAR BODY 360	
8	ORA-3525X	CAR FRONT UPPER LID	
9	ORA-3526	CAR FRONT LOWER COVER	
10	ORA-3119-03	HANDLE SIDE COVER L BLUE	
11	ORA-3120-03	HANDLE SIDE COVER R BLUE	
201	FAS-300050	HEX BLT M10x110	
202	060-F01000	FLT WSHR M10	
203	060-S01000	SPR WSHR M10	
204	000-P00412-WB	M SCR PH W/FS BLK M4x12	
205	030-000820-SB	HEX BLT W/S BLK M8x20	
206	060-F00800-0B	FLT WSHR BLK M8	
207	030-0008A2	HEX BLT M8x120	
208	000-T00416-0B	M SCR TH BLK M4x16	
209	060-S00800	SPR WSHR M8	
210	000-T00410-0B	M SCR TH BLK M4x10	
211	068-441616-0B	FLT WSHR BLK 4.4-16x1.6	
301	ORA-61140	WH TAIL LAMP IN	
302	ORA-61161	WH TAIL LAMP R TO L	
303	ORA-61162	WH TAIL LAMP 1 TO 2 TYPE2	

1 CABINET (COCKPIT, DLP)

23 ASSY COCKPIT SILVER (ORA-3000-04)

(D-1/2)

1 CABINET (COCKPIT, DLP)



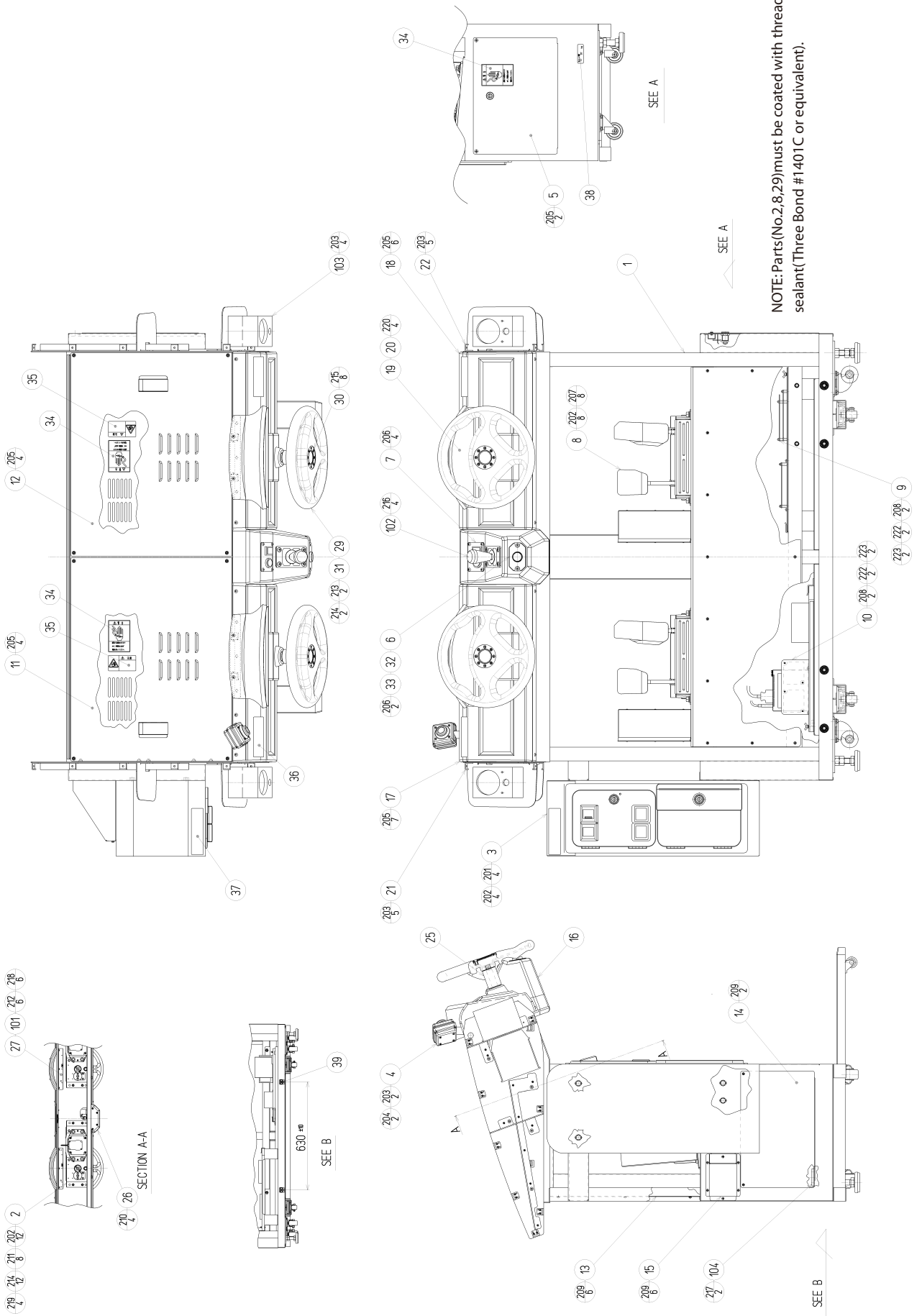
23 ASSY COCKPIT SILVER (ORA-3000-04)**(D-2/2)**

ITEM NO.	PART NO.	DESCRIPTION	NOTE
1	ORA-3100	ASSY FRONT CABI	
2	ORA-3500	ASSY REAR CABI	
3	ORA-3900-02	ASSY TAIL LAMP SINGLE	
4	ORA-3512	BELLOWS HOLDER UPPER FRONT	
5	ORA-3513	BELLOWS HOLDER UPPER SIDE	
6	ORA-3514	BELLOWS HOLDER UPPER REAR	
7	ORA-3524	CAR BODY 512BB	
8	ORA-3525X	CAR FRONT UPPER LID	
9	ORA-3526	CAR FRONT LOWER COVER	
10	ORA-3119-04	HANDLE SIDE COVER L SILVER	
11	ORA-3120-04	HANDLE SIDE COVER R SILVER	
201	FAS-300050	HEX BLT M10x110	
202	060-F01000	FLT WSHR M10	
203	060-S01000	SPR WSHR M10	
204	000-P00412-WB	M SCR PH W/FS BLK M4x12	
205	030-000820-SB	HEX BLT W/S BLK M8x20	
206	060-F00800-0B	FLT WSHR BLK M8	
207	030-0008A2	HEX BLT M8x120	
208	000-T00416-0B	M SCR TH BLK M4x16	
209	060-S00800	SPR WSHR M8	
210	000-T00410-0B	M SCR TH BLK M4x10	
211	068-441616-0B	FLT WSHR BLK 4.4-16x1.6	
301	ORA-61140	WH TAIL LAMP IN	
302	ORA-61161	WH TAIL LAMP R TO L	
303	ORA-61162	WH TAIL LAMP 1 TO 2 TYPE2	

1 CABINET (COCKPIT, DLP)

24 ASSY FRONT CABI (ORA-3100)

(D-1/3)



NOTE: Parts (No.2,8,29) must be coated with thread sealant (Three Bond #1401C or equivalent).

24 ASSY FRONT CABI (ORA-3100)**(D-2/3)**

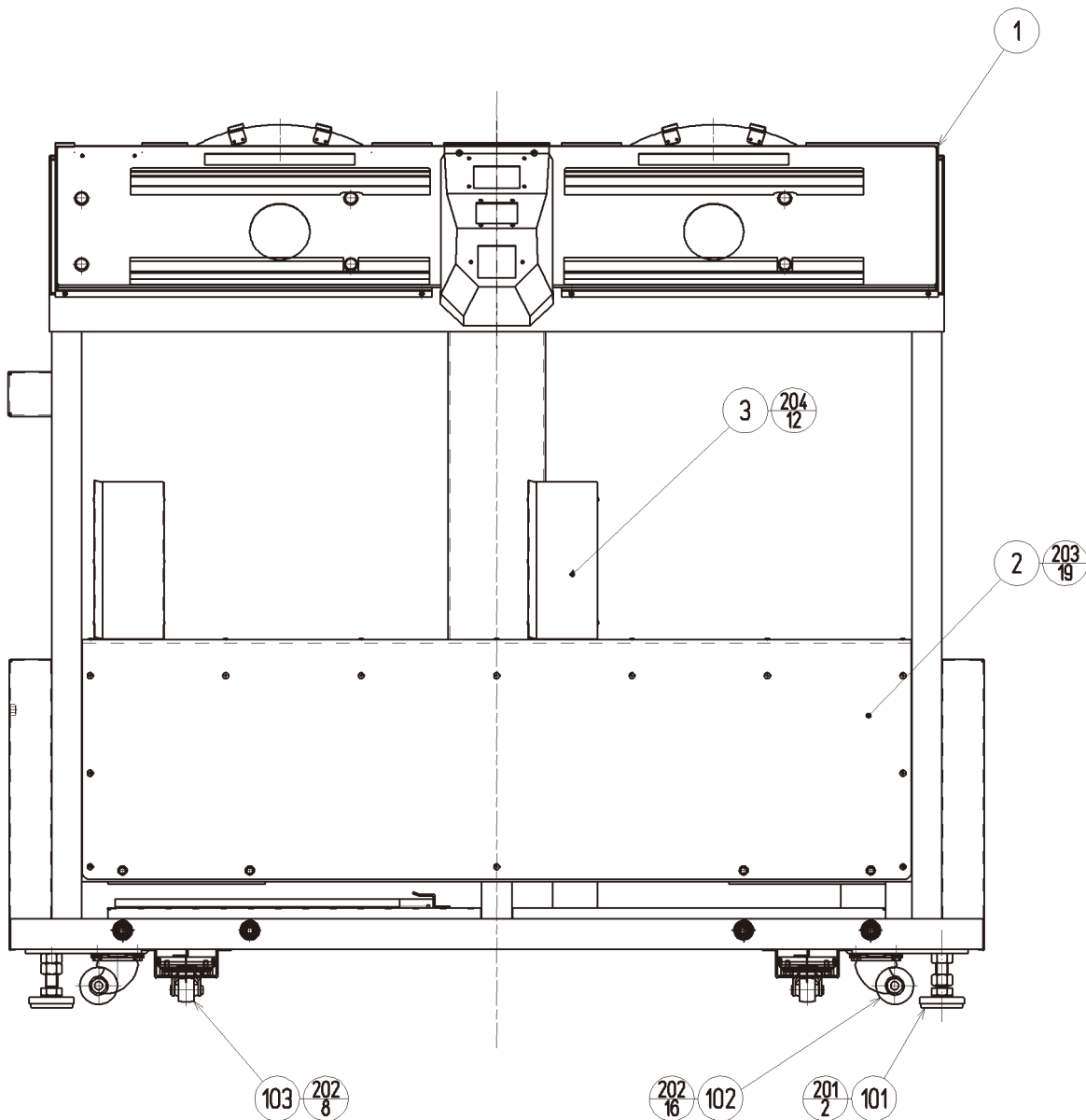
ITEM NO.	PART NO.	DESCRIPTION	NOTE
1	ORA-3101	ASSY SUB CABI FRONT	
2	ORA-2500	ASSY HANDLE MECHA	
3	ORA-3200	ASSY COIN CHUTE TOWER	
4	ORA-3250	ASSY CCD	
5	ORA-3300	ASSY MOTOR DRIVER DOOR	
6	ORA-3350	ASSY MOTION STOP SW	
7	ORA-3400	ASSY START SW	
8	SPG-2200-01	ASSY ACCEL&BRAKE	
9	ORA-4300	ASSY ACT CONTROL ELEC	
10	ORA-4400	ASSY ACTUATOR ELEC	
11	ORA-3111	HOOD DOOR L	
12	ORA-3112	HOOD DOOR R	
13	ORA-3113	CENTER LID	
14	ORA-3114	POWER LID	
15	ORA-3115	COIN CHUTE WIRE COVER	
16	ORA-3116	SHIFT COVER	
17	ORA-3117-01	HANDLE BASE COVER L ENG	
18	ORA-3118-01	HANDLE BASE COVER R ENG	
19	ORA-3129	METER PRISM	
20	ORA-3130	METER PLATE	
21	ORA-3121	SIDE COVER BASE L	
22	ORA-3122	SIDE COVER BASE R	
25	ORA-3125	HANDLE COLLAR	
26	ORA-3126	CENTER PANEL RUBBER	
27	ORA-3127	DRIVER LAMP HOLDER	
29	SPG-2001X	STEERING WHEEL	
30	SPG-2002	STEERING EMBLEM	
31	SPG-2039	SPACER RING	
32	ORA-3352	MOTION STOP SW COVER	
33	ORA-3353	STICKER MOTION STOP SW	
34	440-WS0002XEG	STICKER W POWER OFF ENG	
35	440-CS0167-EG	STICKER C HANDLE GEAR ENG	
36	440-CS0277-EG	STICKER C EPILEPSY 35 ENG	
37	440-CS0276-EG	STICKER C PLAYER RESTRICTIONS	
39	421-11416	STICKER CAUTION FORK	
40	SGM-4567	POLY COVER 1000×1700×1300	
101	838-14463-01	LED BAR BD GREEN	
102	610-0408-01	UP/DOWN SHIFTER AL YL	
103	130-5124-03	SPEAKER MINI BOX 8OHM 15W	
104	117-5402-10-91	EARTH TERMINAL PLATE 10P	
105	601-5526-265	BUSH 1.6T	
106	280-5277	CORD CLAMP 18	
107	280-6676	CORD CLAMP TL-25A TTK	
108	280-5169	CORD CLAMP TL-20S	
109	601-6563-94	BUSH 2.4T	
110	601-6563-194	BUSH 2.4T	
111	601-6563-54	BUSH 2.4T	
112	601-6563-107	BUSH 2.4T	
113	601-6563-125	BUSH 2.4T	
114	601-6563-214	BUSH 2.4T	

1 CABINET (COCKPIT, DLP)

24 ASSY FRONT CABI (ORA-3100)**(D-3/3)****1 CABINET (COCKPIT, DLP)**

ITEM NO.	PART NO.	DESCRIPTION	NOTE
201	030-000820-SB	HEX BLT W/S BLK M8x20	
202	060-F00800-0B	FLT WSHR BLK M8	
203	000-P00512-WB	M SCR PH W/FS BLK M5x12	
204	000-T00512-0B	M SCR TH BLK M5x12	
205	000-T00410-0B	M SCR TH BLK M4x10	
206	000-T00416-0C	M SCR TH CRM M4x16	
207	030-000830-SB	HEX BLT W/S BLK M8x30	
208	032-000420	WING BLT M4x20	
209	000-P00408-WB	M SCR PH W/FS BLK M4x8	
210	000-P00420-WB	M SCR PH W/FS BLK M4x20	
211	050-H00800-0B	HEX NUT BLK M8	
212	000-P00308-WB	M SCR PH W/FS BLK M3x8	
213	020-000820-0Z	HEX SKT H CAP SCR BLK 0Z M8x20	
214	060-S00800-0B	SPR WSHR BLK M8	
215	FAS-200013	HEX SKT H CAP SCR CRM M4x16	
216	008-T00516-0B	TMP PRF SCR TH BLK M5x16	
217	000-F00410-0B	M SCR FH BLK M4x10	
218	050-F00400	FLG NUT M4	
219	FAS-290001	HEX SKT SCR BH BLK M8x20	
220	FAS-000082	M SCR TH BLK M3 12	
222	060-S00400	SPR WSHR M4	
223	060-F00400	FLT WSHR M4	
302	ORA-62004	WH AC100V ACT CTRL EXT EXP	
303	ORA-61023	WH COIN I/O EXT	
304	ORA-61033	WH DRIVER LAMP	
305	ORA-61034X	WH FRONT I/O	
306	ORA-61035X	WH SOUND	
307	ORA-61036X	WH FRONT INTERFACE I/O	
308	ORA-61042	WH STR ENCODER	
309	ORA-61047	WH STR MOTOR POWER	
311	ORA-61099	WH MOTION STOP EXIT	
313	ORA-61139X	WH RCA FRONT CABI	
314	ORA-61200	WH ACT AMP I/F CABLE L	
315	ORA-61201	WH ACT AMP I/F CABLE R	
316	ORA-61146X	WH EARTH FRONT TO ACT ELEC	
/	ORA-61176X	WH EARTH FRONT TO ACT CONT	
/	ORA-62003Y	WH FRONT CABI AC120V EXP	
/	ORA-61192	WH AC24V FRONT CABI	
/	270-5117	FERRITE CORE TDK ZCAT3035-1330	

25 ASSY SUB CABI FRONT (ORA-3101)

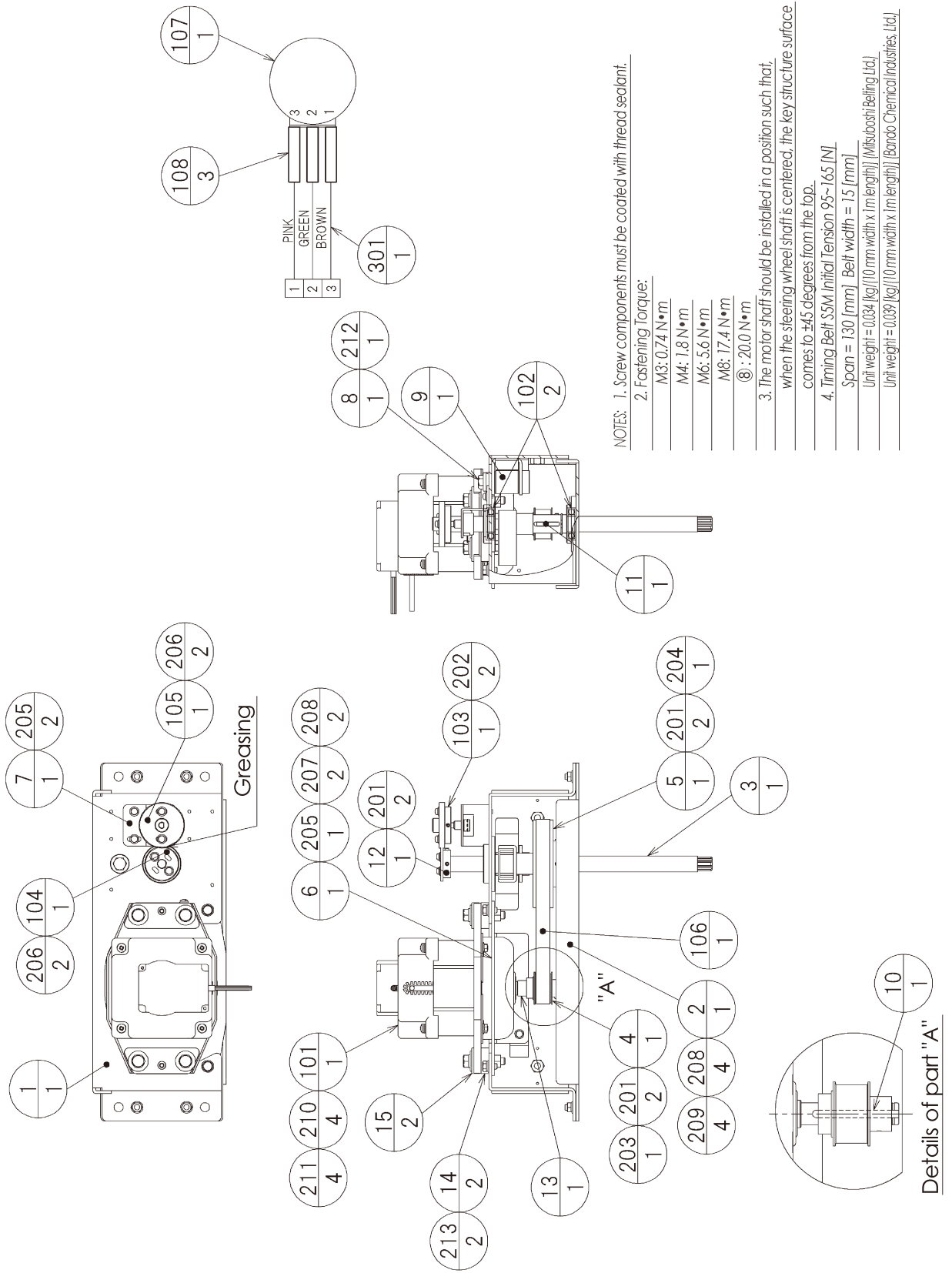


NOTE: All screw components (except Nut M16) must be coated with thread sealant (ThreeBond #1401C or equivalent).

ITEM NO.	PART NO.	DESCRIPTION	NOTE
1	ORA-3102	FRONT FRAME	
2	ORA-3103	FOOT PLATE	
3	ORA-3104	FOOT REST COVER	
101	601-5882	LEG ADJUSTER (TAKIGEN C-280-2)	
102	601-6056-01	CASTER 50 PH	
103	601-11769	CASTER 32 420-TP-00N32	
201	050-H01600-3	HEX NUT TYPE3 M16	
202	030-000616-W	HEX BLT W/FS M6x16	
203	047-PA4010-4	RVT OPEN TYPE AL 4x10.4	
204	047-PA3206-3	RVT OPEN TYPE AL 3.2x6.3	

26 ASSY HANDLE MECHA (ORA-2500)

(D-1/2)

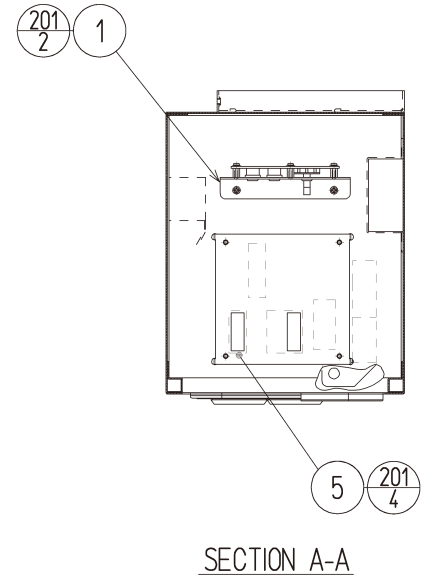
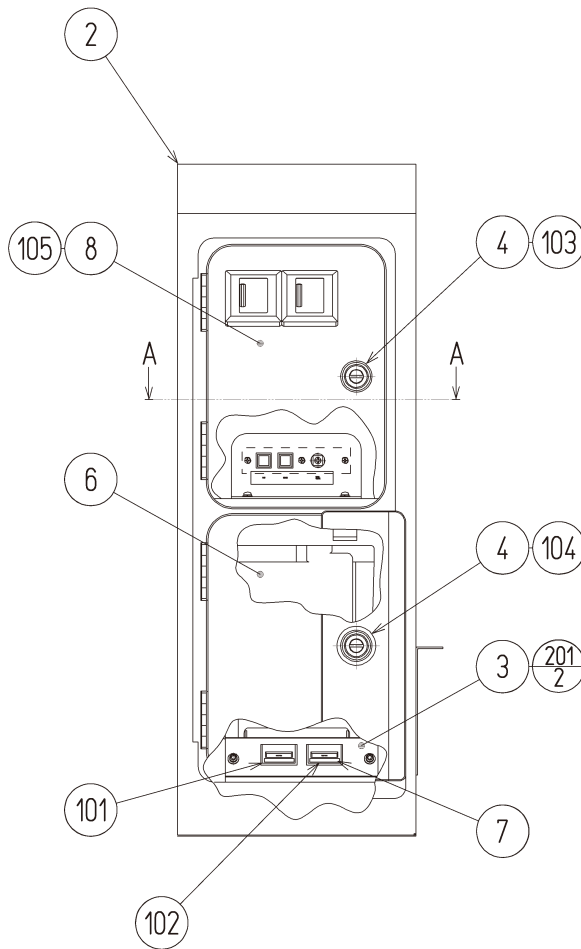


26 ASSY HANDLE MECHA (ORA-2500)**(D-2/2)**

ITEM NO.	PART NO.	DESCRIPTION	NOTE
1	ORA-2501	HANDLE BASE	
2	SPG-2502	BASE LID	
3	ORA-2502	HANDLE SHAFT	
4	SPG-2504	PULLEY 20 S5M	
5	SPG-2505	PULLEY 60 S5M	
6	ORA-2503	MOTOR BRKT	
7	ORA-2504	VR BRKT	
8	ORA-2505	STOPPER BOLT	
9	ORA-2506	STOPPER RUBBER	
10	SPG-2453	KEY 4x4x40	
11	DYN-1270	STOPPER KEY	
12	SLC-1130	ADJUST RING	
13	ORA-2507	MOTOR SHAFT COLLAR	
14	253-5592	MOTOR INSULATOR A	
15	253-5593	MOTOR INSULATOR B	
101	350-5805	SERVO MOTOR Y21C-5010S	
102	100-5112	BEARING 17 (NSK 6003ZZ)	
103	601-8966	GEAR HOLDER	
104	601-6172	GEAR 48	
105	601-6959	GEAR 64	
106	601-9173	TIMING BELT (150 S5M 475)	
107	220-5484	VOL CONT B-5K OHM	
107	220-5753	VOL CONT B-5K OHM (TOCOS)	
108	310-5029-F20	SUMITUBE F F 20MM	
201	028-A00408-P	SET SCR HEX SKT CUP P M4x8	
202	028-A00308-P	SET SCR HEX SKT CUP P M3x8	
203	065-S012S0-Z	STP RING BLK OZ S12	
204	065-S020S0-Z	STP RING BLK OZ S20	
205	000-P00408-W	M SCR PH W/FS M4x8	
206	000-P00412-W	M SCR PH W/FS M4x12	
207	030-000612-S	HEX BLT W/S M6x12	
208	060-F00600	FLT WSHR M6	
209	050-U00600	U NUT M6	
210	030-000840-S	HEX BLT W/S M8x40	
211	068-852216	FLT WSHR 8.5-22x1.6	
212	060-S01200	SPR WSHR M12	
213	012-P00412	TAP SCR #2 PH 4x12	
301	600-6866-01	WIRE HARN ASSY HANDLE MECHA VR	

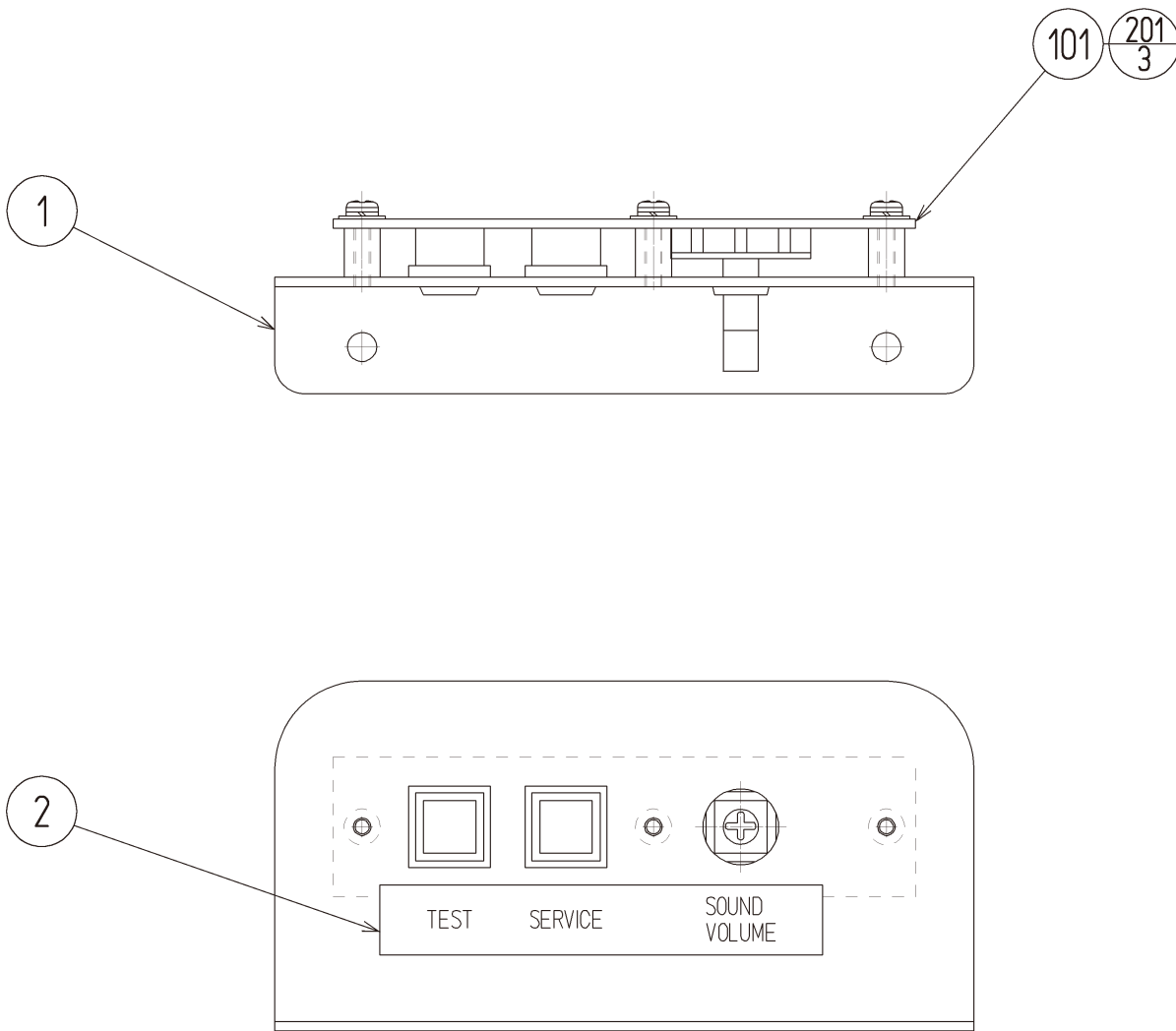
1 CABINET (COCKPIT, DLP)

27 ASSY COIN CHUTE TOWER (ORA-3200)



ITEM NO.	PART NO.	DESCRIPTION	NOTE
1	ORA-3450	SW UNIT	
2	ORA-3201X	COIN CHUTE BOX	
3	ORA-3202	METER BRKT	
5	105-5572-03	CHUTE PLATE US	
6	253-5366	CASH BOX	
7	421-6591-01	STICKER COIN METER	
101	220-5798-01	MAG CNTR 4P MZ674-DC5V-D41 JC	
102	220-5798-02	MAG CNTR 6P MZ674-DC5V-D42 JC	
105	220-5816	CC 2DR W/O DBA HAPP 40-7000-00	
106	280-5277	CORD CLAMP 18	
107	280-6676	CORD CLAMP TL-25A TKK	
108	310-5029-F20	SUMITUBE F F 20MM	
201	000-P00408-WB	M SCR PH W/FS BLK M4x8	
301	ORA-61025	WH COIN I/O	
302	ORA-61193X	WH AC24V COIN CUTE BOX	
303	600-6972-0150	WIRE HARN EARTH ID5 0150MM	
/	FAS-500061	HEX NUT STN INCH NO. 8-32	
/	060-500400	SPR WSHR M4	
/	060-F00400	FLT WSHR M4	

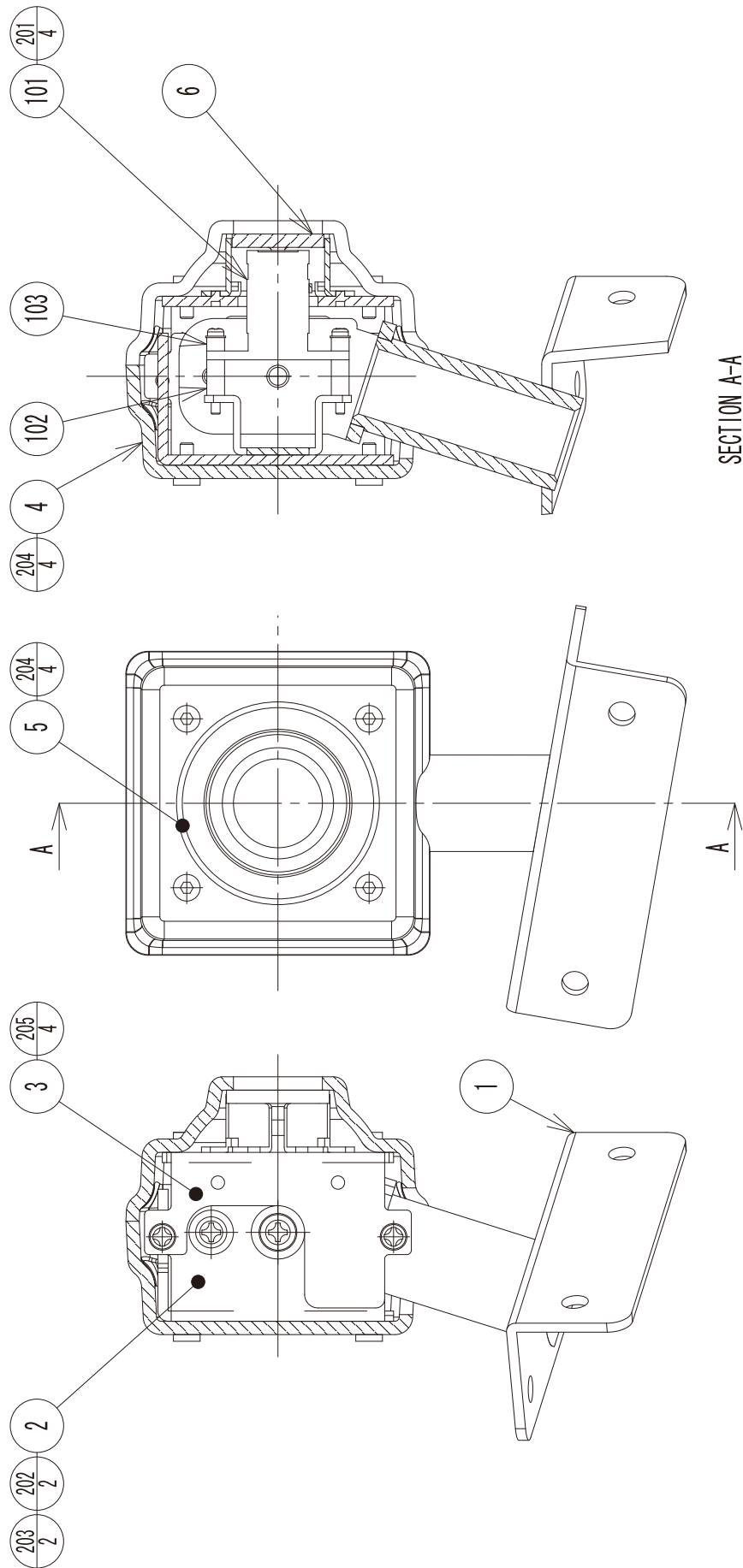
28 SW UNIT (ORA-3450)



ITEM NO.	PART NO.	DESCRIPTION	NOTE
1	ORA-3451	SW BRKT	
2	421-12043	STICKER SW PANEL	
101	838-14548	SW & VOL BD	
201	000-P00308-WB	M SCR PH W/FS BLK M3x8	

29 ASSY CCD (ORA-3250)

(D-1/2)



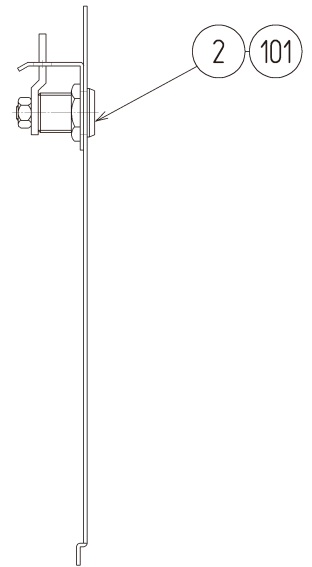
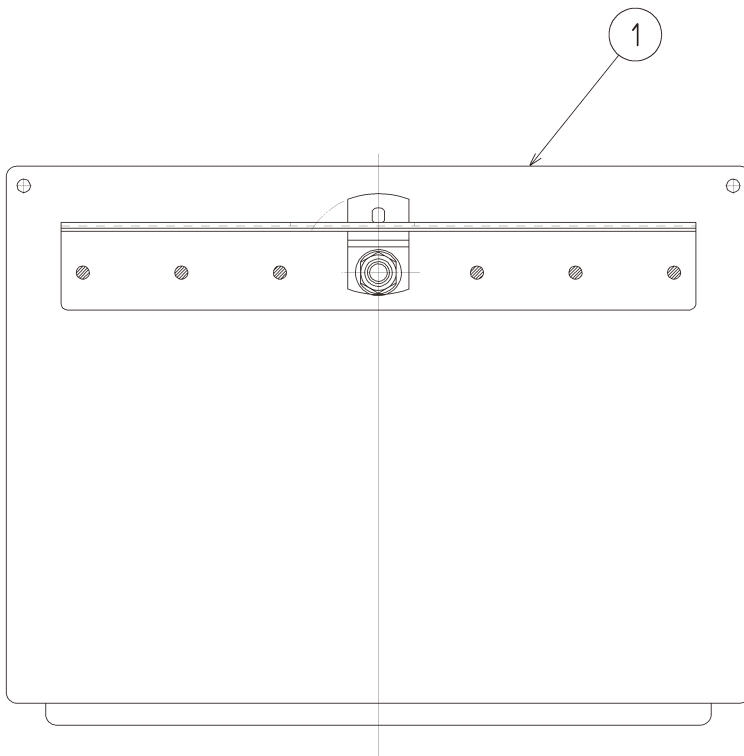
29 ASSY CCD (ORA-3250)**(D-2/2)**

ITEM NO.	PART NO.	DESCRIPTION	NOTE
1	ORA-3251	CCD BASE	
2	ORA-3252	CCD HOLDER REAR	
3	ORA-3253	CCD HOLDER FRONT	
4	ORA-3254	CCD COVER REAR	
5	ORA-3255	CCD COVER FRONT	
6	ORA-3256	LENS COVER PLATE	
101	601-11758	CCD CAMERA MSC-70B W/LENZ MD65	
102	601-11770-2408	SPACER M2 HIROSUGI C-2008-4	
103	601-11770-2403	SPACER M2 HIROSUGI C-2003-4	
201	FAS-000186	M SCR PH W/FS STN M2x18	
202	000-P00410-WB	M SCR PH BLK W/FS M4x10	
203	000-P00508-WB	M SCR PH W/FS BLK M5x8	
204	FAS-290049	HEX SKT LH CAP SCR BLK M3x8	
205	000-P00308-WB	M SCR PH W/FS BLK M3x8	
301	ORA-61000X	WH CCD CAMERA	

1 CABINET (COCKPIT, DLP)

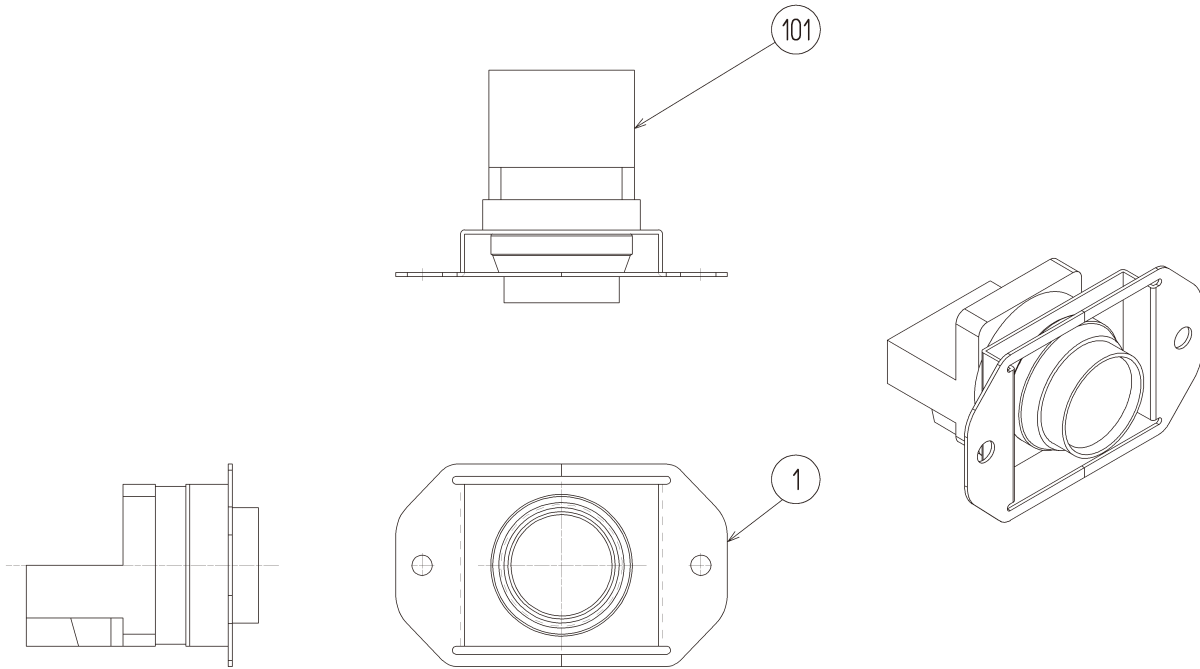
30 ASSY MOTOR DRIVER DOOR (ORA-3300)

1 CABINET (COCKPIT, DLP)



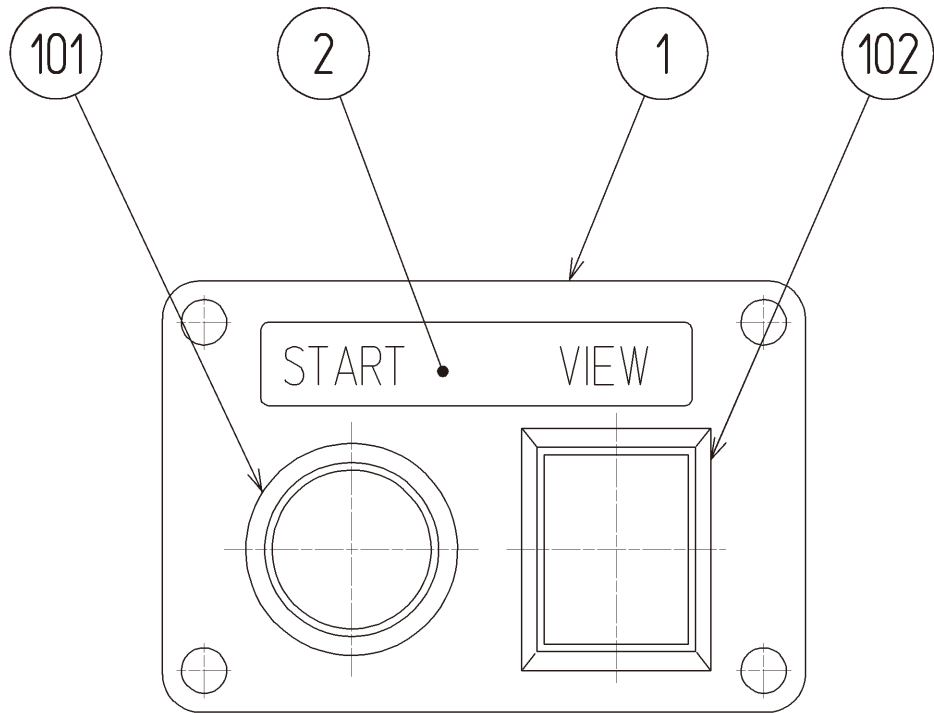
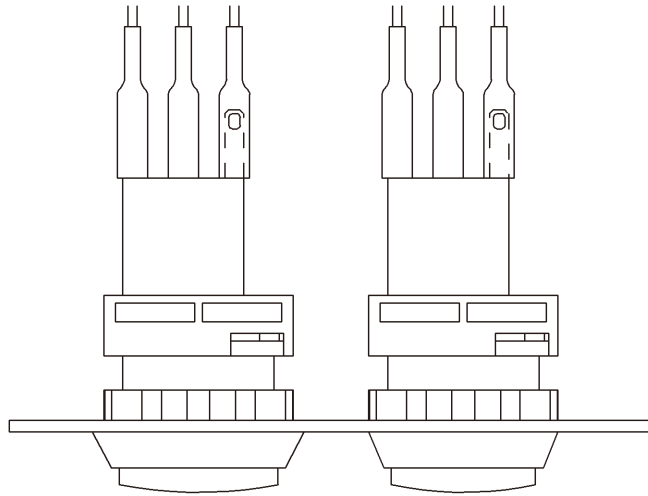
ITEM NO.	PART NO.	DESCRIPTION	NOTE
1	ORA-3301	MOTOR DRIVER DOOR	
2	DP-1148X	LKG TNG	
101	220-5793-1-A001	CLY LOCK MASTER W/O KEY A001	

31 ASSY MOTION STOP SW (ORA-3350)



ITEM NO.	PART NO.	DESCRIPTION	NOTE
1	ORA-3351	MOTION STOP SW BASE	
101	509-6109-91	SW PB ABN2F10R ROHS	
301	ORA-61100X	WH MOTION STOP SW	

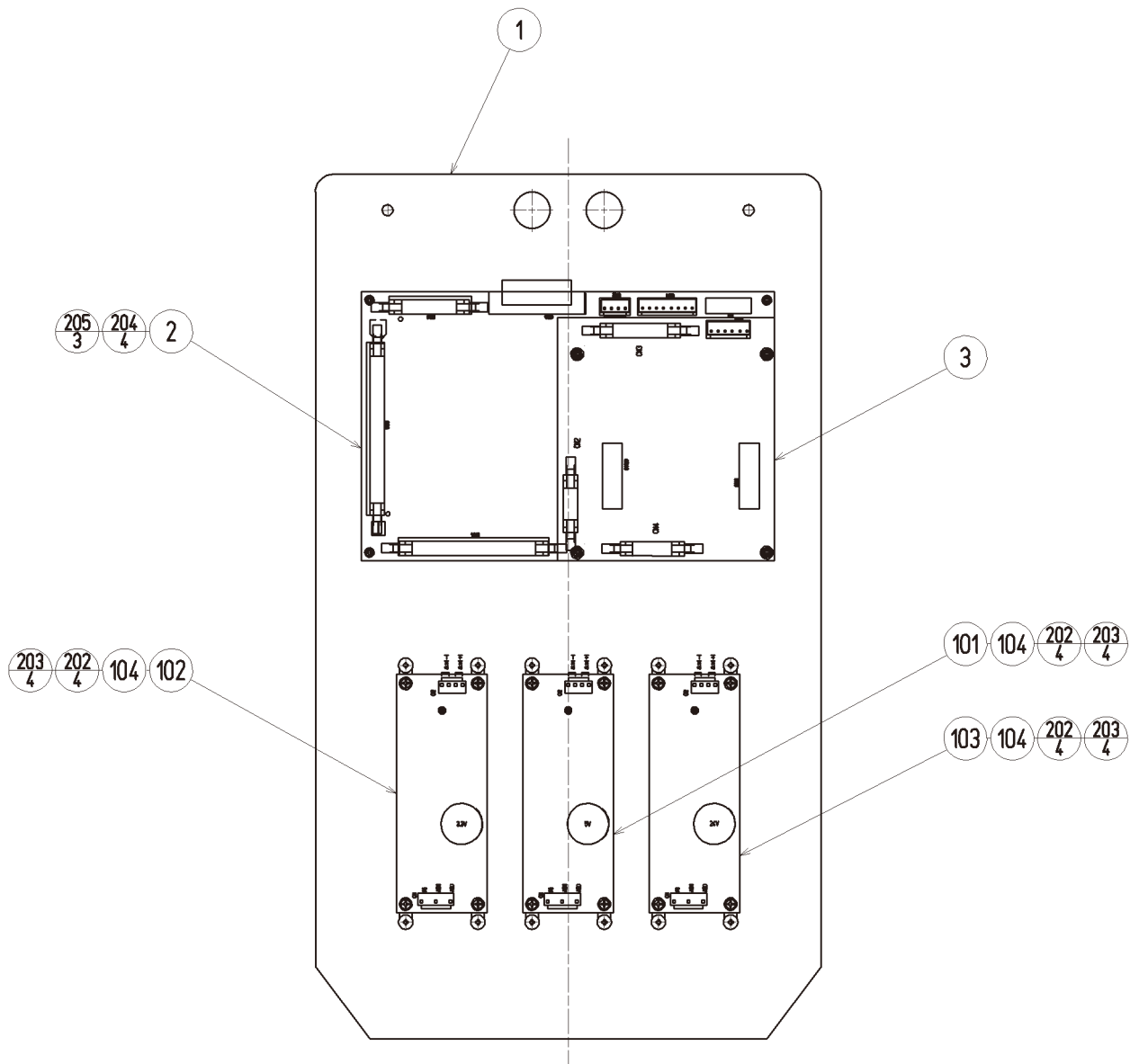
32 ASSY START SW (ORA-3400)



ITEM NO.	PART NO.	DESCRIPTION	NOTE
1	CFT-2301	SW PLATE	
2	TOF-2152	STICKER START/VIEW	
101	509-5838-Y	SW PB LW1L-15Y-TK1670	
102	509-5495-04	PUSH BUTTON RED	
301	ORA-61039X	WH FRONT START & VIEW SW	

33 ASSY ACT CONTROL ELEC (ORA-4300)

(D-1/2)



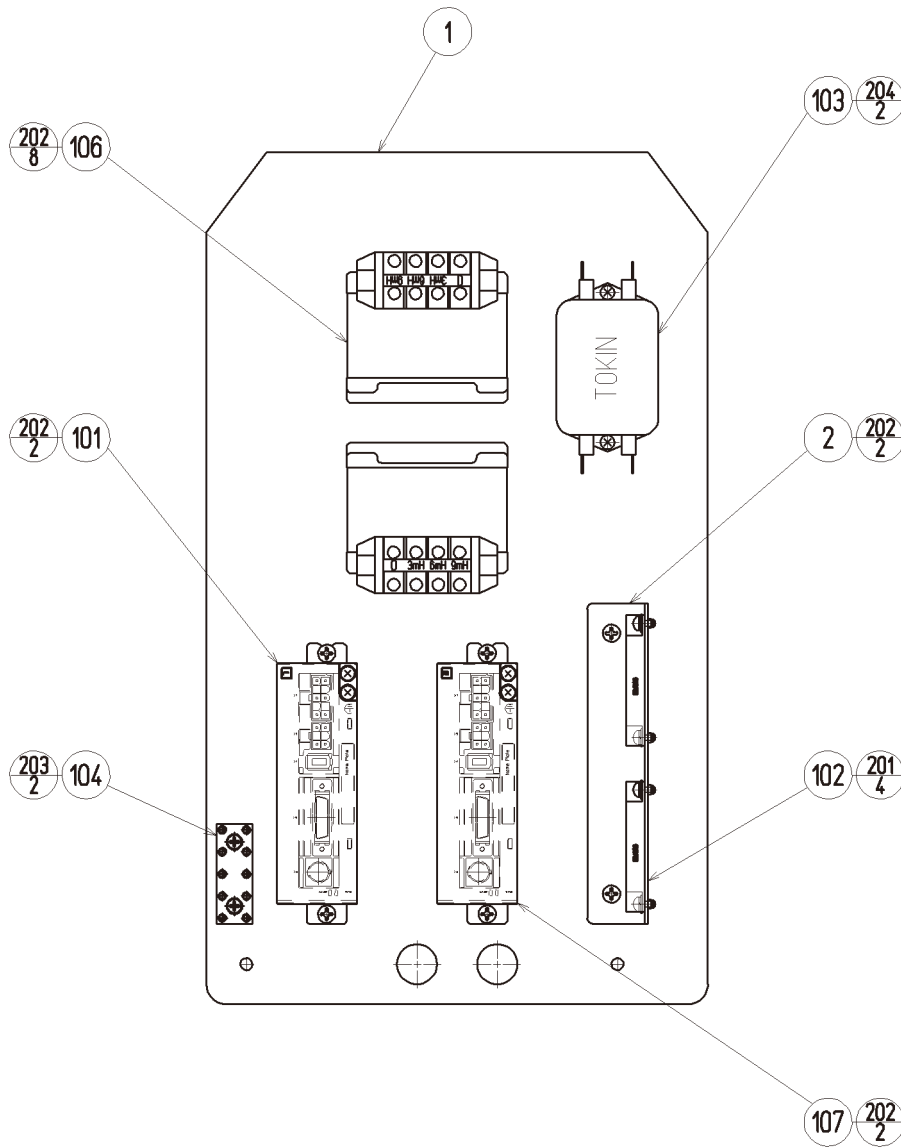
1 CABINET (COCKPIT, DLP)

33 ASSY ACT CONTROL ELEC (ORA-4300)**(D-2/2)****1 CABINET (COCKPIT, DLP)**

ITEM NO.	PART NO.	DESCRIPTION	NOTE
1	ORA-4301	ACT CONTROL ELEC BASE	
2	837-14634	CONTROL BD ORA	
3	837-14612	MCC05V2 X2 BD	
101	400-5421-03005Y	SW REGU LCA30S-5-Y	
102	400-5421-03003	SW REGU LCA30S-3	
103	400-5421-03024Y	SW REGU LCA30S-24-Y	
104	280-6681	L-LOCK LT-320PCG	
105	280-5277	CORD CLAMP 18	
106	280-6676	CORD CLAMP TL-25A TTK	
107	601-11770-36015	SPACER M3 HIROSUGI C-301.5	
201	011-F03516	TAP SCR FH 3.5x16	
202	000-P00308-WB	M SCR PH W/FS BLK M3x8	
203	011-T03516	TAP SCR TH 3.5x16	
204	FAS-110021	TAP SCR PH #1 3x40	
205	011-P00320	TAP SCR PH 3x20	
301	ORA-61063X	WH AC100V ACT CTRL REGU IN EXP	
302	ORA-61141X	WH ACT CTRL ELEC DC	
303	ORA-61142X	WH ACT CTRL I/O	
304	ORA-61145	WH MOTION STOP IN	
305	ORA-61058	WH TAIL LAMP EXT FRONT	
306	ORA-61132X	WH SERIAL SH I/O IN	
/	HDF-4102	SW REGU BRKT	
/	050-H00400	HEX NUT M4	
/	060-S00400	SPR WSHR M4	
/	060-F00400	FLT WSHR M4	
/	117-5402-10-91	EARTH TERMINAL PLATE 10P	
/	011-F03516	TAP SCR FH 3.5x16	

34 ASSY ACTUATOR ELEC (ORA-4400)

(D-1/2)



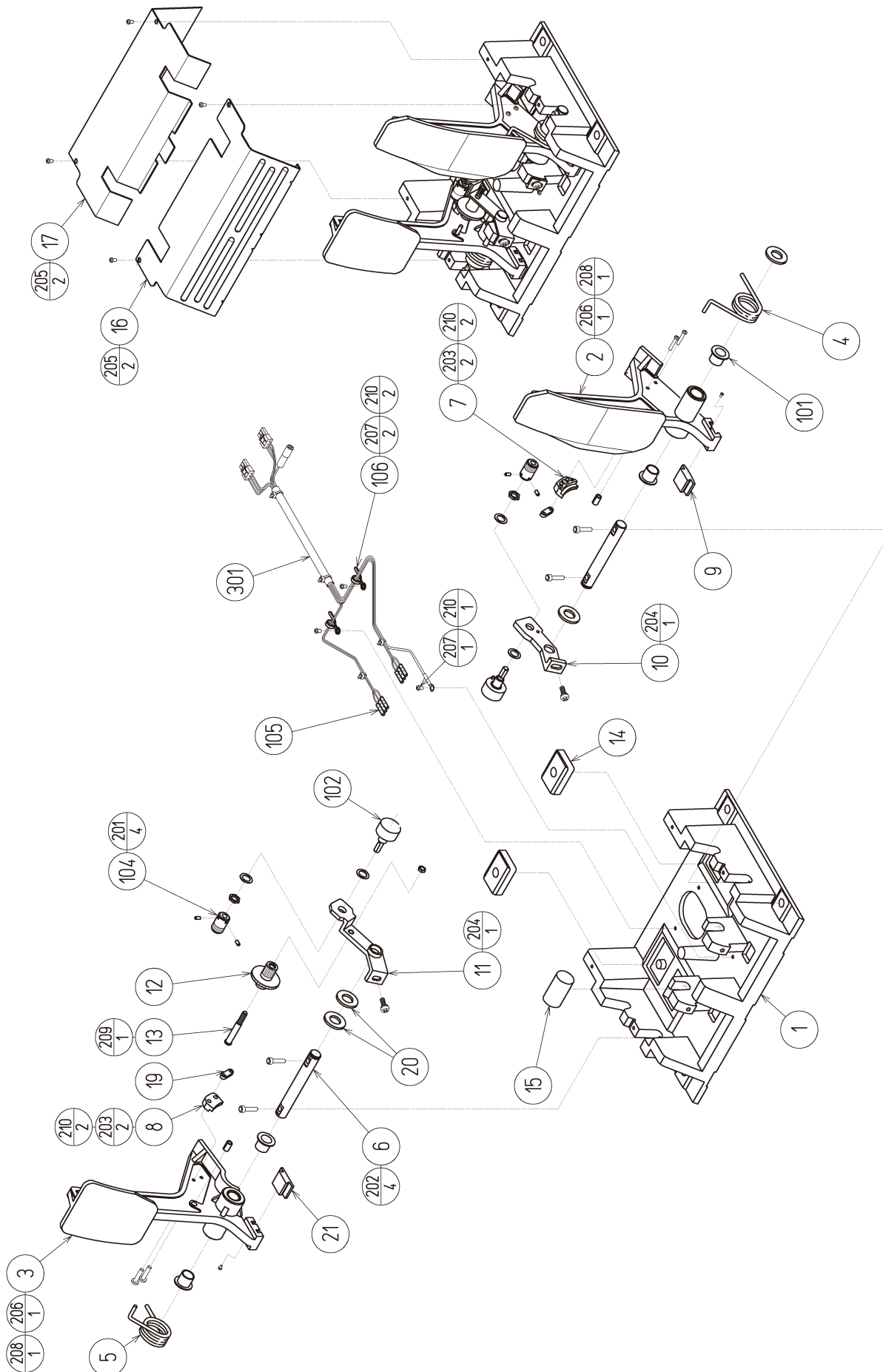
1 CABINET (COCKPIT, DLP)

34 ASSY ACTUATOR ELEC (ORA-4400)**(D-2/2)****1 CABINET (COCKPIT, DLP)**

ITEM NO.	PART NO.	DESCRIPTION	NOTE
1	ORA-4401	ACTUATOR ELEC BASE	
2	ORA-4402	ACT RESISTER BRKT	
101	835-14616-01	MOTOR DRIVER MLDET2510 ORA L	
102	601-11750	REGENERATIVE RES DV0P2891	
103	270-5115	NOISE FILTER 15A GT-215J	
104	117-5402-10-91	EARTH TERMINAL PLATE 10P	
105	280-0419	HARNESS LUG	
106	560-5555	REACTOR 200V 10A 3/6/9MH	
107	835-14616-02	MOTOR DRIVER MLDET2510 ORA R	
108	211-5659-02	CONN RCPT 5557-02R-210(MOLEX)	
201	000-P00408-WB	M SCR PH W/FS BLK M4x8	
202	011-T03516	TAP SCR TH 3.5x16	
203	011-F03516	TAP SCR FH 3.5x16	
204	011-T03512-0B	TAP SCR TH BLK 3.5x12	
301	ORA-61144	WH ACT AMP AC PWR	
302	ORA-61171	WH ACT ELEC NF IN	
303	ORA-61158	WH EARTH ACT ELEC TO NF	
304	ORA-61157	WH EARTH ACT AMP	
305	ORA-61002X	WH ACT ELEC AC IN	

35 ASSY ACCEL&BRAKE (SPG-2200-01)

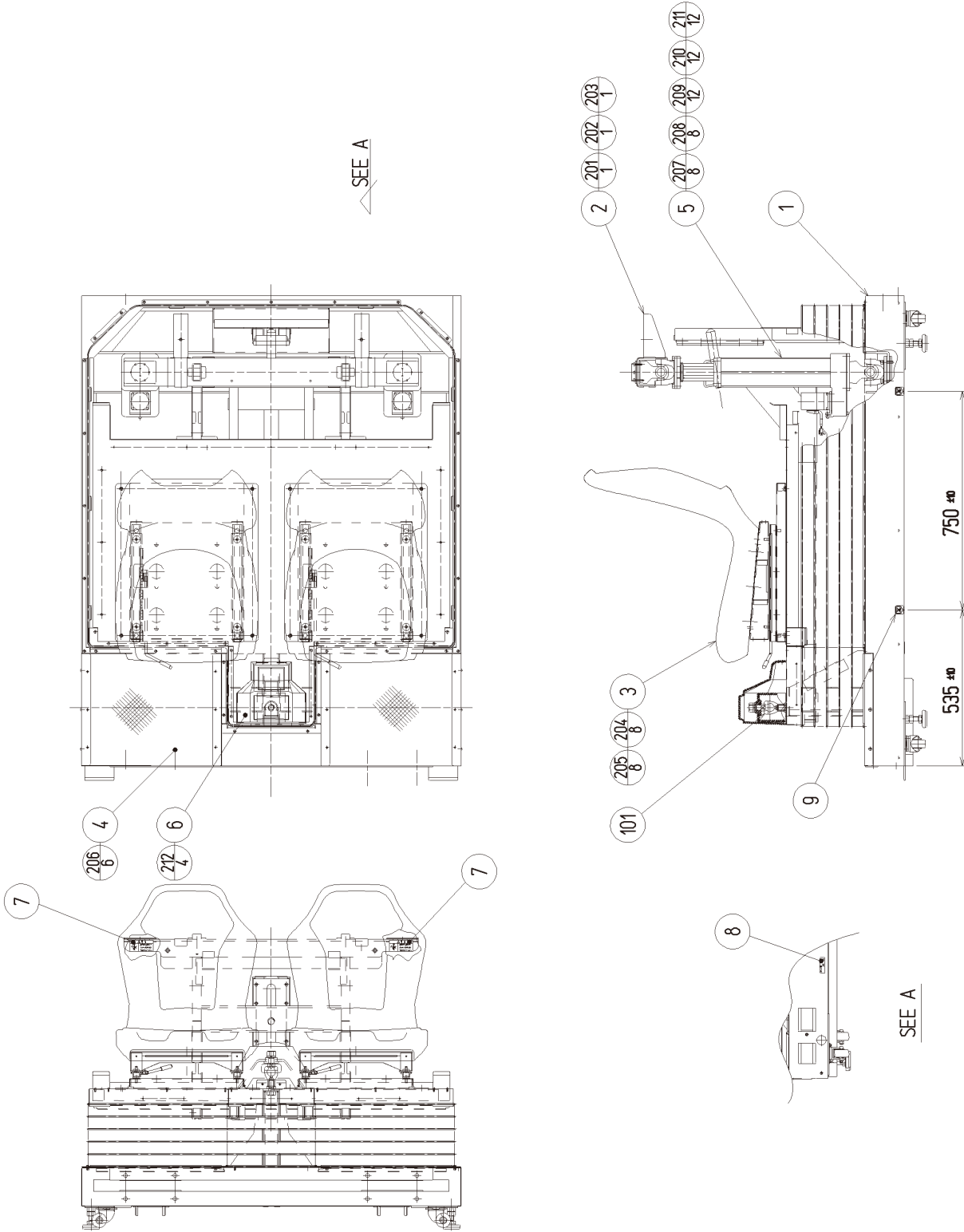
(D-1/2)



1 CABINET (COCKPIT, DLP)

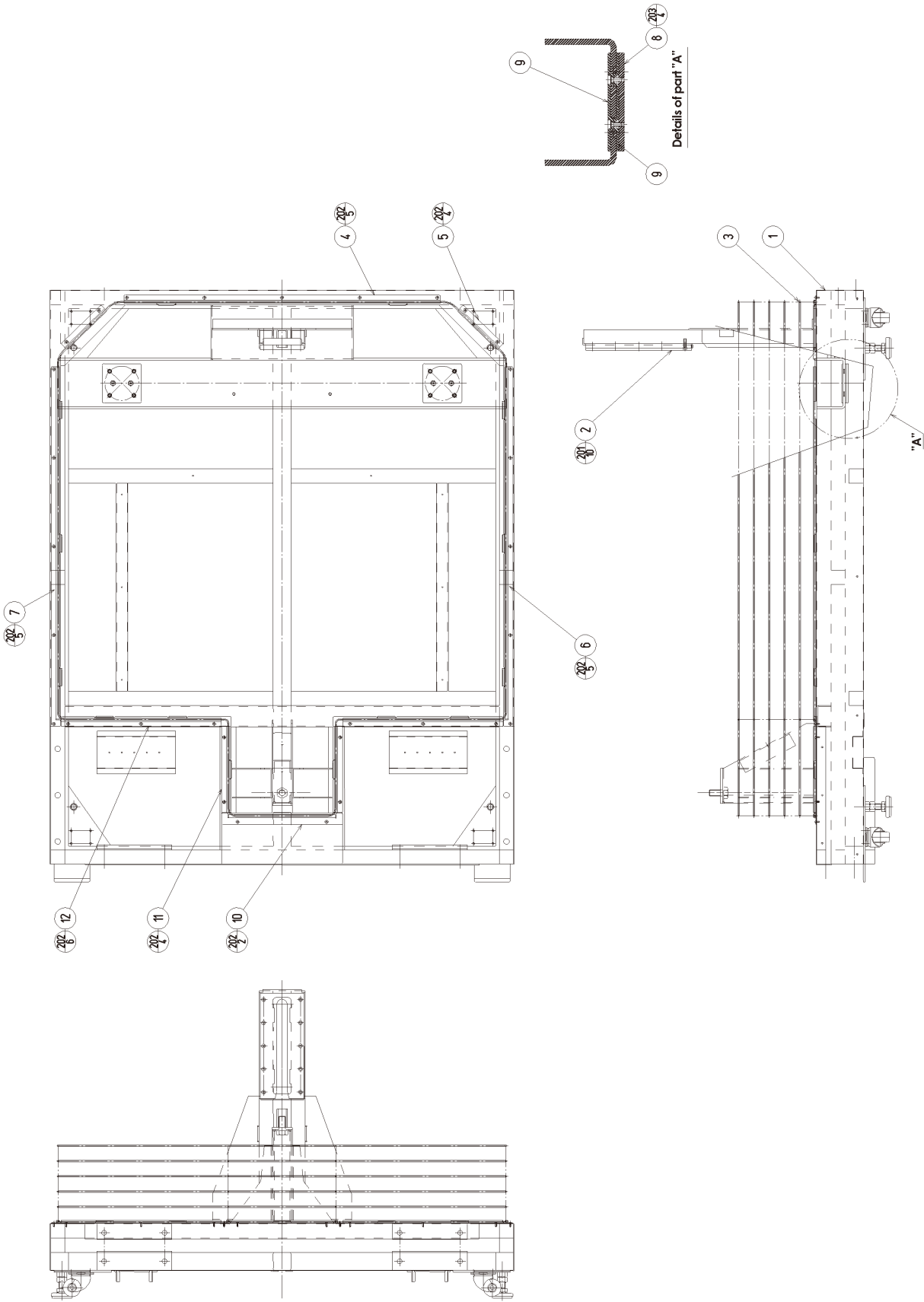
35 ASSY ACCEL&BRAKE (SPG-2200-01)**(D-2/2)****1 CABINET (COCKPIT, DLP)**

ITEM NO.	PART NO.	DESCRIPTION	NOTE
1	SPG-2201	BASE	
2	SPG-2202	ACCEL PEDAL	
3	SPG-2203	BRAKE PEDAL	
4	SPG-2204	ACCEL SPRING	
5	SPG-2205	BRAKE SPRING	
6	SPG-2206	SHAFT	
7	SPG-2207	ACCEL GEAR	
8	SPG-2208	BRAKE GEAR	
9	SPG-2209	NEUTRAL STOPPER	
10	SPG-2210	VR PLATE ACCEL	
11	SPG-2211	VR PLATE BRAKE	
12	SPG-2212	AMPL GEAR	
13	SPG-2213X	GEAR SHAFT	
14	SPG-2214	STOPPER	
15	SPG-2215	RUBBER CUSHION	
16	SPG-2216	COVER	
17	SPG-2217	VR COVER	
19	SPG-2219	GEAR STAY	
20	SPG-2220	WSHR	
21	SPG-2221	NEUTRAL STOPPER D	
101	100-5263	BEARING 12(OILES 80F-1212)	
102	220-5484	VOL CONT B-5K OHM	
102	220-5753	VOL CONT B-5K OHM (TOCOS)	
104	601-7944	GEAR 15	
105	310-5029-F15	SUMITUBE F F15MM	
106	280-0419	HARNESS LUG	
201	028-A00304-P	SET SCR HEX SKT CUP P M3x4	
202	020-000520-OZ	HEX SKT H CAP SCR BLK M5x20	
203	000-P00420	M SCR PH M4x20	
204	000-P00512-W	M SCR PH W/FS M5x12	
205	000-T00408-0C	M SCR TH CRM M4x8	
206	FAS-450005	SPR PIN BLK OZ 6x10	
207	000-P00405	M SCR PH M4x5	
208	FAS-000001	M SCR TH CRM M3x6	
209	050-H00500	HEX NUT M5	
210	060-F00400	FLT WSHR M4	
301	600-6840-01	WIRE HARN ACCEL&BRAKE YL	



36 ASSY REAR CABI (ORA-3500)**(D-2/2)****1 CABINET (COCKPIT, DLP)**

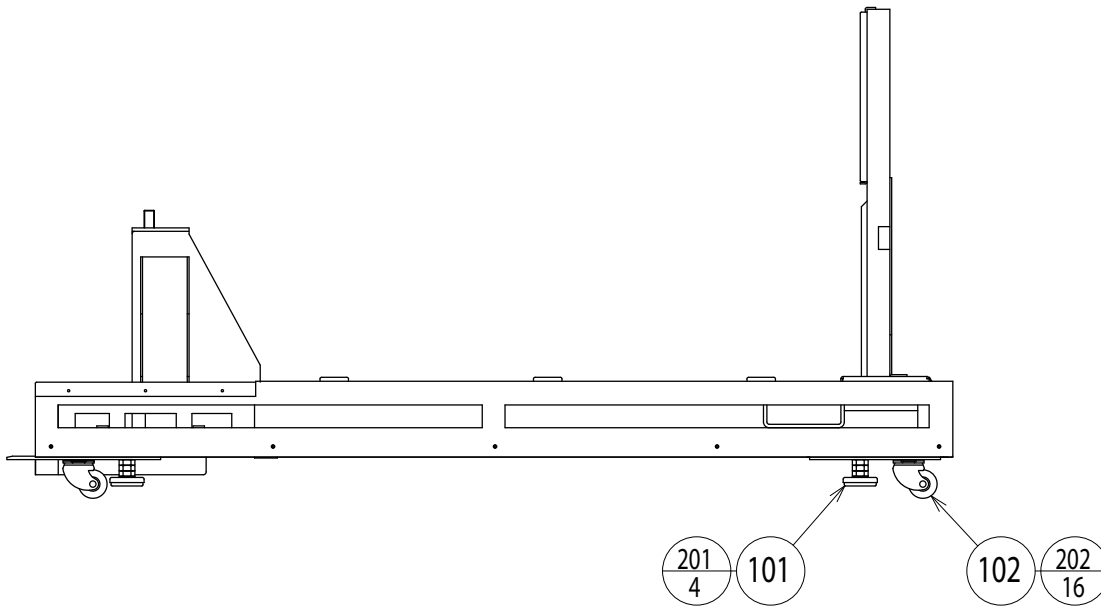
ITEM NO.	PART NO.	DESCRIPTION	NOTE
1	ORA-3501	ASSY SUB CABI REAR	
2	ORA-3600	ASSY RIDE FRAME	
3	ORA-3700	ASSY SEAT	
4	ORA-3750	ASSY FLOOR	
5	ORA-3800	ACTUATOR UNIT	
6	ORA-3511X	CONSOLE COVER	
7	440-WS0315-EG	STICKER W FINGER ENG	
9	421-11416	STICKER CAUTION FORK	
10	SGM-4566	POLY COVER 1500x1900x1200	
101	601-11771	LINKBALL RBI 18D	
102	280-5277	CORD CLAMP 18	
103	280-6676	CORD CLAMP TL-25A TKK	
104	280-5292	CORD CLAMP 18 PUSH TYPE	
105	280-5169	CORD CLAMP TL-20S	
106	270-5117	FERRITE CORE TDK ZCAT3035-1330	
201	FAS-500004	HEX NUT P1.5 M18	
202	060-S01800	SPR WSHR M18	
203	060-F01800	FLT WSHR M18	
204	030-000830-SB	HEX BLT W/S BLK M8x30	
205	060-F00800-0B	FLT WSHR BLK M8	
206	000-T00512-0B	M SCR TH BLK M5x12	
207	FAS-200062	HEX SKT H CAP SCR BLK OZ M8x35	
208	060-S00800	SPR WSHR M8	
209	020-000525-0Z	HEX SKT H CAP SCR BLK OZ M5x25	
210	060-S00500	SPR WSHR M5	
211	060-F00500	FLT WSHR M5	
212	000-T00412-0B	M SCR TH BLK M4x12	
213	000-F00308	M SCR FH M3x8	
301	ORA-61202	WH MOTOR CABLE L	
302	ORA-61203	WH MOTOR CABLE R	
303	ORA-62005X	WH REAR LAMP EXT AC120V EXP	
304	ORA-61059	WH TAIL LAMP EXT REAR	
305	ORA-61138X	WH LIMIT SW	
307	ORA-61204	WH ENCODER CABLE L	
308	ORA-61205	WH ENCODER CABLE R	
/	600-7914-2450	WH EARTH UL1015 AWG10 2450MM	



37 ASSY SUB CABI REAR (ORA-3501)**(D-2/2)****1 CABINET (COCKPIT, DLP)**

ITEM NO.	PART NO.	DESCRIPTION	NOTE
1	ORA-3502	REAR BASE FRAME	
2	ORA-3503	RIDE PIN GUIDE	
3	ORA-3504	BELLOWS	
4	ORA-3505	BELLOWS HOLDER LOWER REAR	
5	ORA-3506	BELLOWS HOLDER LOWER COR	
6	ORA-3507	BELLOWS HOLDER LOWER SIDE L	
7	ORA-3508	BELLOWS HOLDER LOWER SIDE R	
8	ORA-3509	NUT PLATE ACTUATOR	
9	ORA-3510	INSULATOR PLATE LOWER	
10	ORA-3517	BELLOWS HOLDER LOWER FRONT A	
11	ORA-3518	BELLOWS HOLDER LOWER FRONT B	
12	ORA-3519	BELLOWS HOLDER LOWER FRONT C	
201	020-000620-0Z	HEX SKT H CAP SCR BLK 0Z M6x20	
202	000-P00412-WB	M SCR PH W/FS BLK M4x12	
203	000-F00412	M SCR FH M4x12	

38 REAR BASE FRAME (ORA-3502)

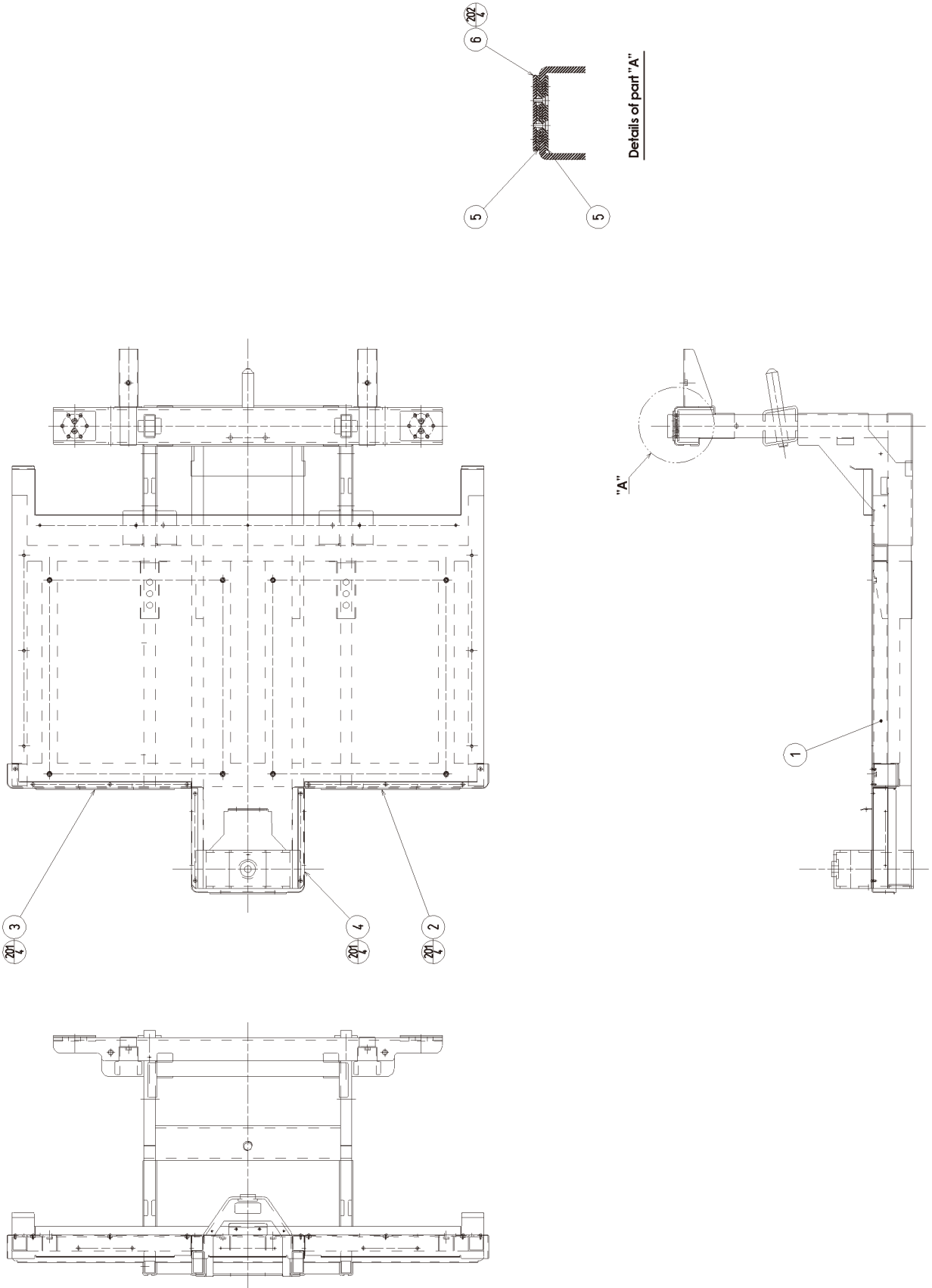


ITEM NO.	PART NO.	DESCRIPTION	NOTE
101	601-5882	LEG ADJUSTER (TAKIGEN C-280-2)	
102	601-6056-01	CASTER 50 PH	
201	050-H01600-3	HEX NUT TYPE3 M16	
202	030-000620-S	HEX BLT W/S M6x20	

39 ASSY RIDE FRAME (ORA-3600)

(D-1/2)

CABINET (COCKPIT, DLP)



39 ASSY RIDE FRAME (ORA-3600)

(D-2/2)

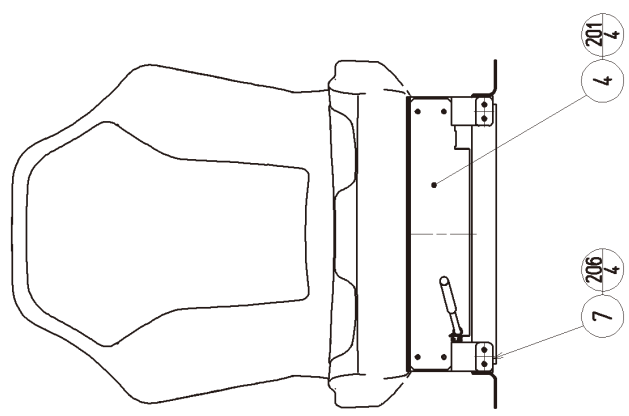
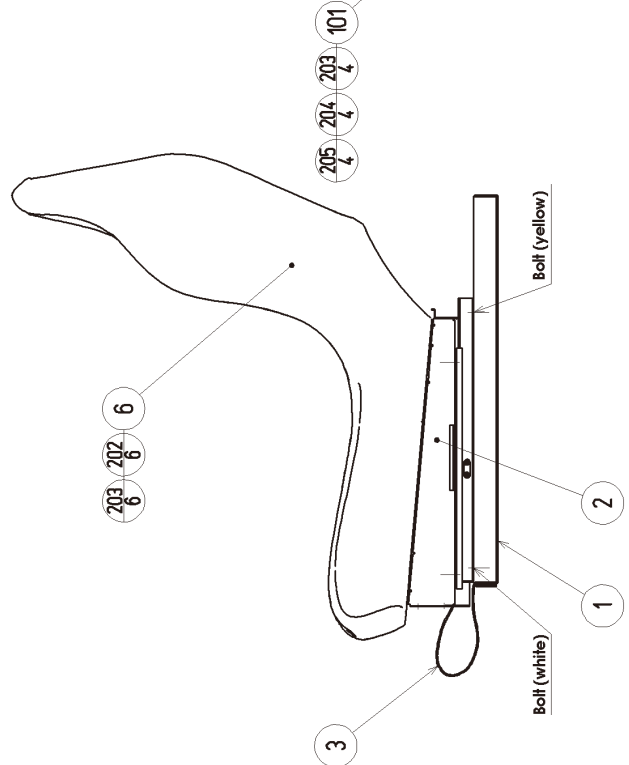
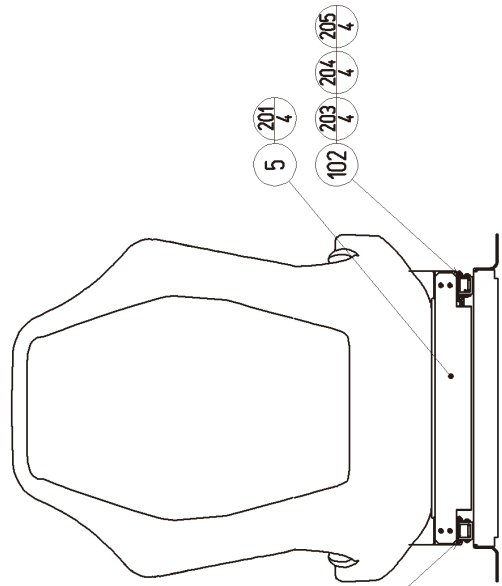
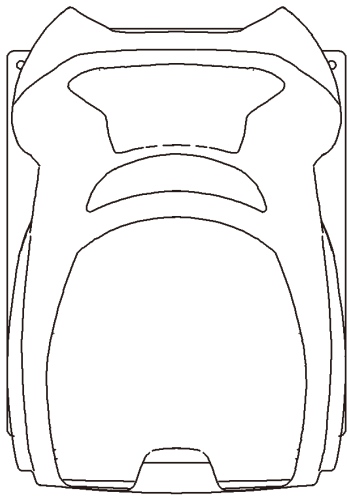
ITEM NO.	PART NO.	DESCRIPTION	NOTE
1	ORA-3601	RIDE FRAME	
2	ORA-3602	BELLOWS BASE UPPER L	
3	ORA-3603	BELLOWS BASE UPPER R	
4	ORA-3604	BELLOWS BASE UPPER FRONT	
5	ORA-3605	INSULATOR PLATE UPPER	
6	ORA-3606	UPPER INSULATOR HOLDER	
201	000-T00410-0B	M SCR TH BLK M4x10	
202	000-F00412	M SCR FH M4x12	

1 CABINET (COCKPIT, DLP)

40 ASSY SEAT (ORA-3700)

(D-1/2)

CABINET (COCKPIT, DLP)

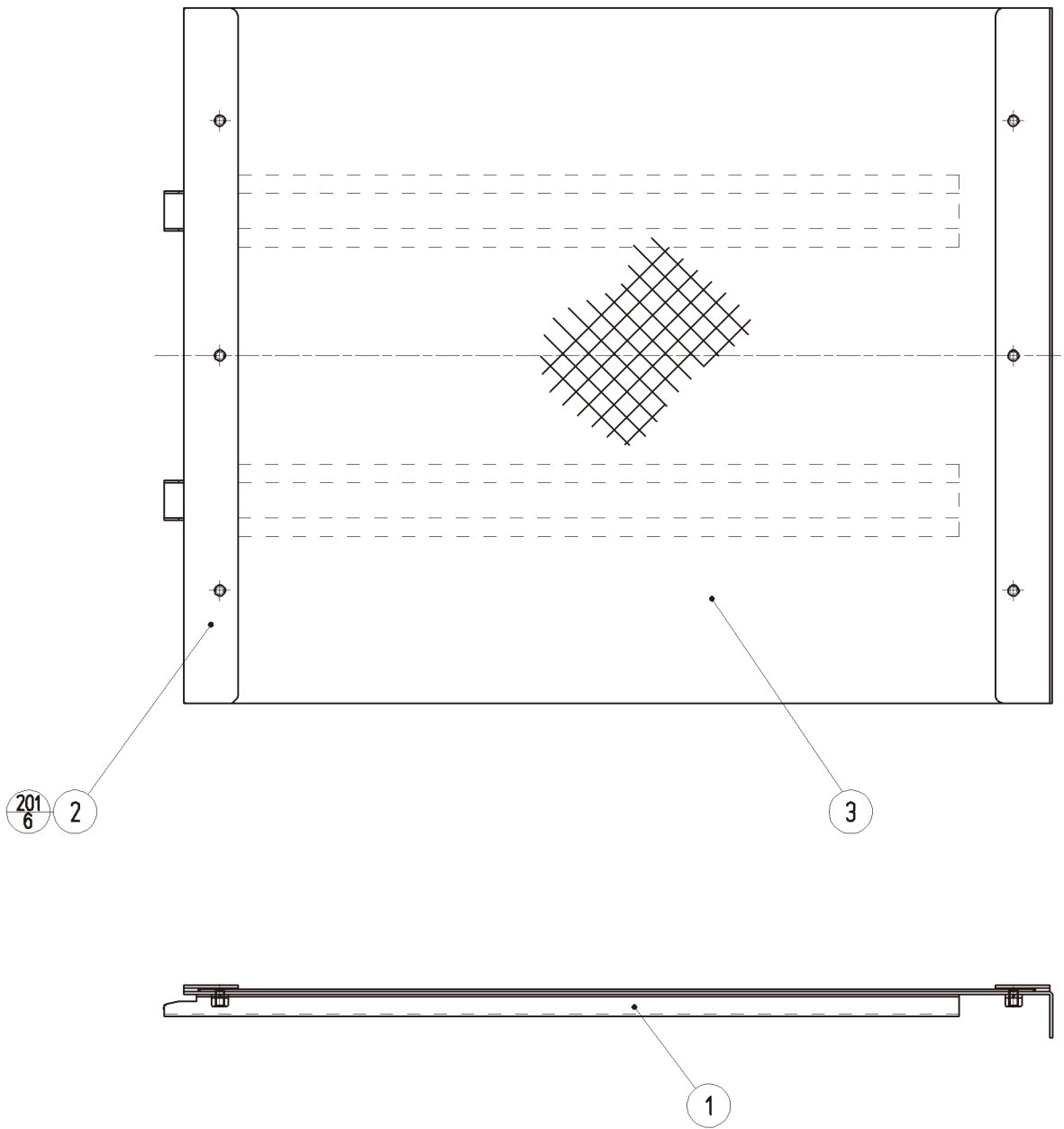


40 ASSY SEAT (ORA-3700)**(D-2/2)**

ITEM NO.	PART NO.	DESCRIPTION	NOTE
1	ORA-3701	SEAT BASE	
2	ORA-3702	SEAT SLANT TRAY	
3	SRT-2408	PROTECT RUBBER	
4	FRI-3307X	FRONT TRAY COVER	
5	NCR-2406	REAR TRAY COVER	
6	253-5550	PAN DRIVING SEAT	
7	SPG-2411X	RUBBER PLATE	
101	601-11309-91	SEAT RAIL LONG L ROHS	
102	601-11310-91	SEAT RAIL LONG R ROHS	
201	000-T00408-0B	M SCR TH BLK M4x8	
202	030-000816-S	HEX BLT W/S M8x16	
203	060-F00800	FLT WSHR M8	
204	060-S00800	SPR WSHR M8	
205	050-H00800	HEX NUT M8	
206	000-T00512-0B	M SCR TH BLK M5x12	

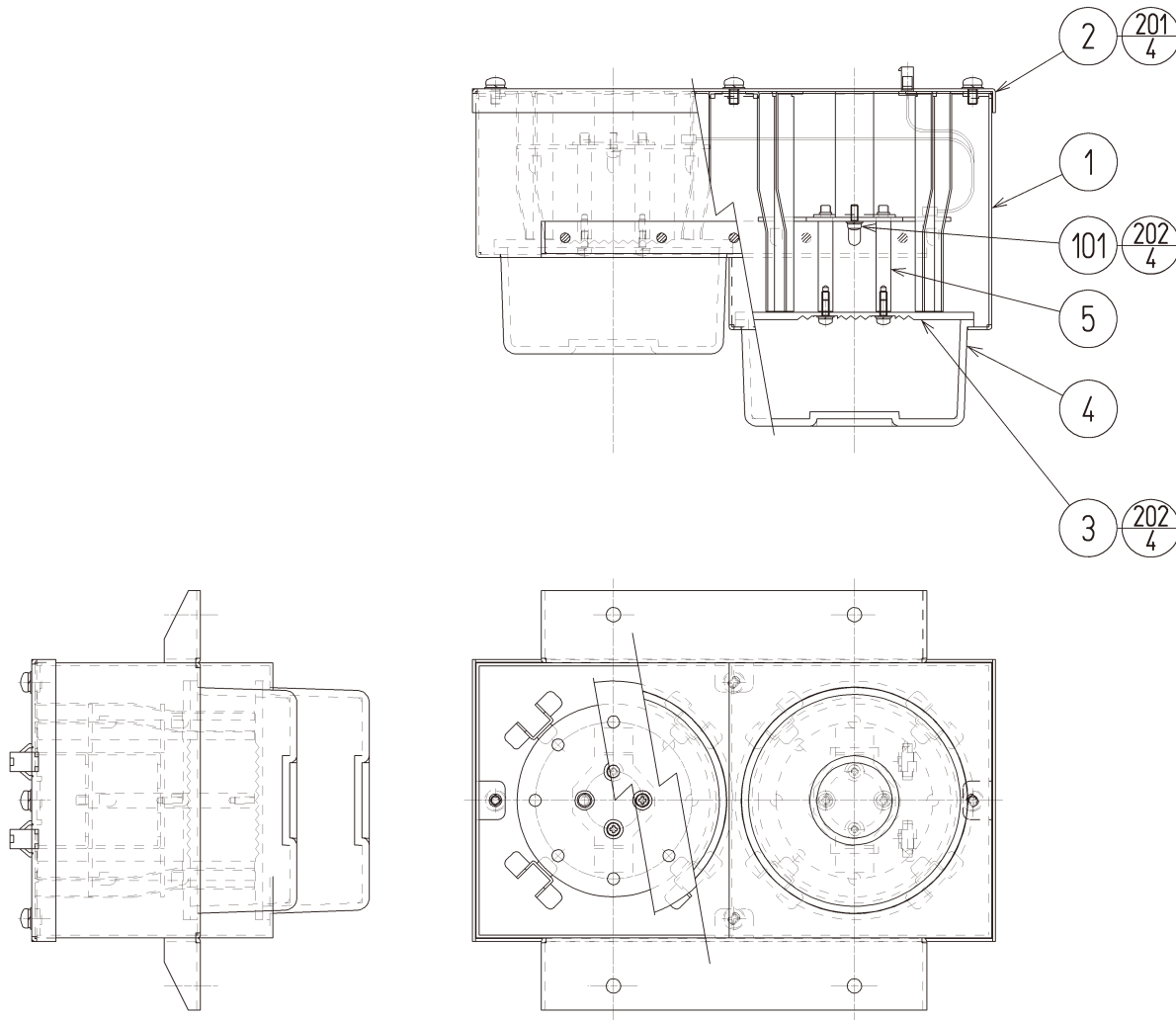
1 CABINET (COCKPIT, DLP)

41 ASSY FLOOR (ORA-3750)



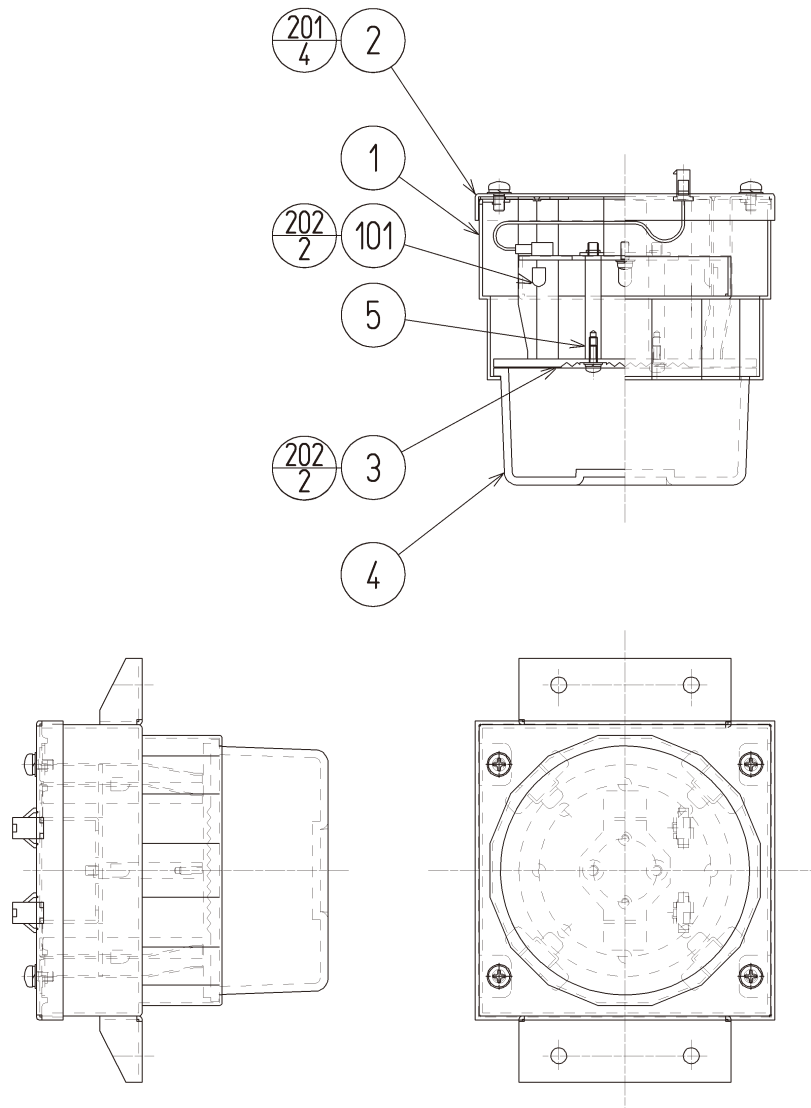
ITEM NO.	PART NO.	DESCRIPTION	NOTE
1	ORA-3751	FLOOR	
2	ORA-3752	FLOOR SHEET SASH	
3	ORA-3754	FLOOR SHEET	
201	050-F00500	FLG NUT M5	

42 ASSY TAIL LAMP F50 (ORA-3900-01)



ITEM NO.	PART NO.	DESCRIPTION	NOTE
1	ORA-3901	TAIL LAMP BOX BASE F50	
2	ORA-3902	TAIL LAMP BOX COVER F50	
3	ORA-3905	TAIL LAMP PRISM	
4	ORA-3906	TAIL LAMP COVER	
5	ORA-3907	TAIL LAMP SHAFT	
101	838-14617	TAIL LAMP LED BD ORA	
201	000-P00408-W	M SCR PH W/FS M4x8	
202	000-P00308-W	M SCR PH W/FS M3x8	
301	ORA-61087X	WH TAIL LAMP 1 TO 2	
302	ORA-61160	WH TAIL LAMP IN/OUT	

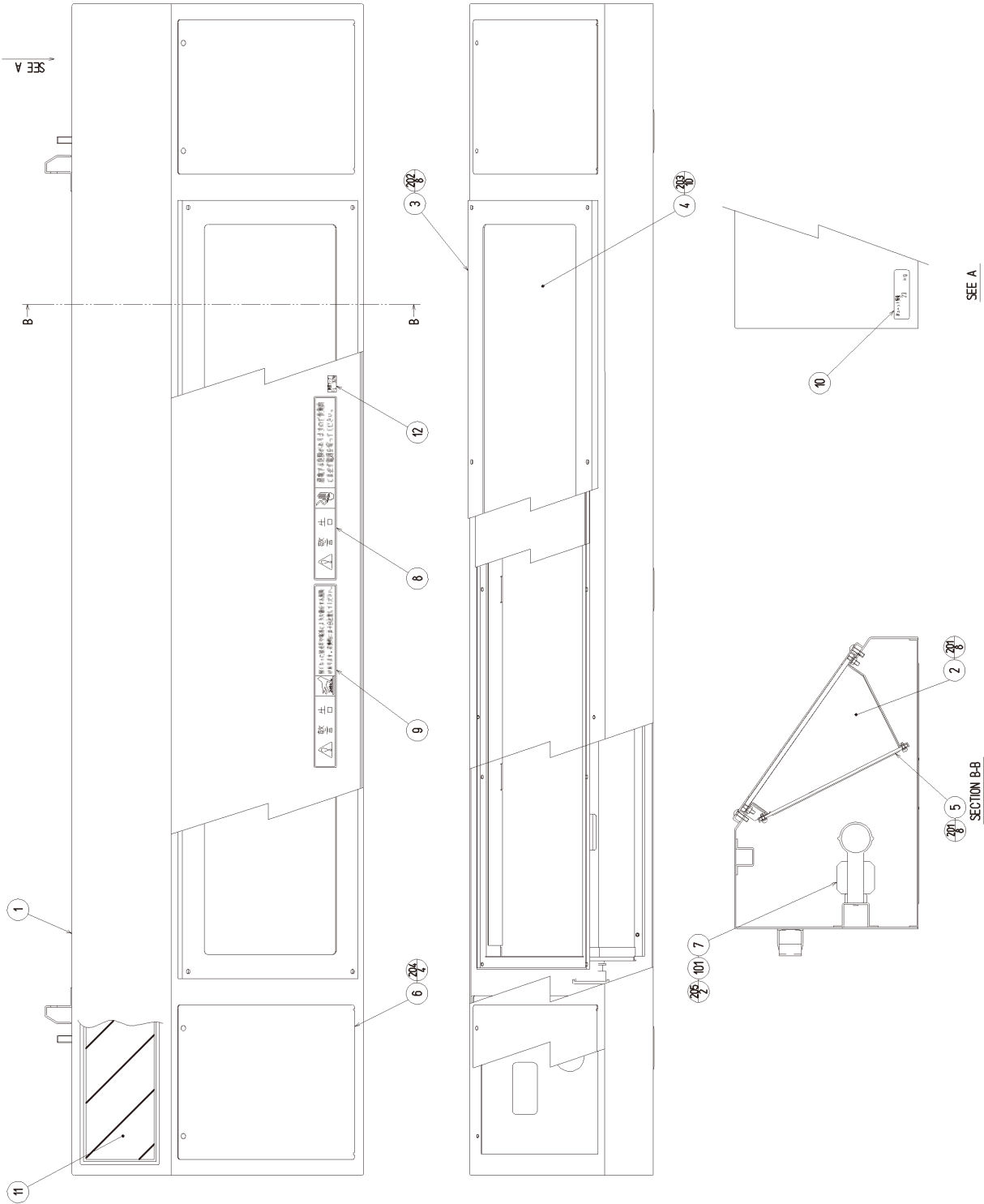
43 ASSY TAIL LAMP SINGLE (ORA-3900-02)



ITEM NO.	PART NO.	DESCRIPTION	NOTE
1	ORA-3903	TAIL LAMP BOX BASE SINGLE	
2	ORA-3904	TAIL LAMP BOX COVER SINGLE	
3	ORA-3905	TAIL LAMP PRISM	
4	ORA-3906	TAIL LAMP COVER	
5	ORA-3907	TAIL LAMP SHAFT	
101	838-14617	TAIL LAMP LED BD ORA	
201	000-P00408-W	M SCR PH W/FS M4x8	
202	000-P00308-W	M SCR PH W/FS M3x8	
301	ORA-61160	WH TAIL LAMP IN/OUT	

44 ASSY REAR LAMP RED (ORA-5000-01)

(D-1/2)



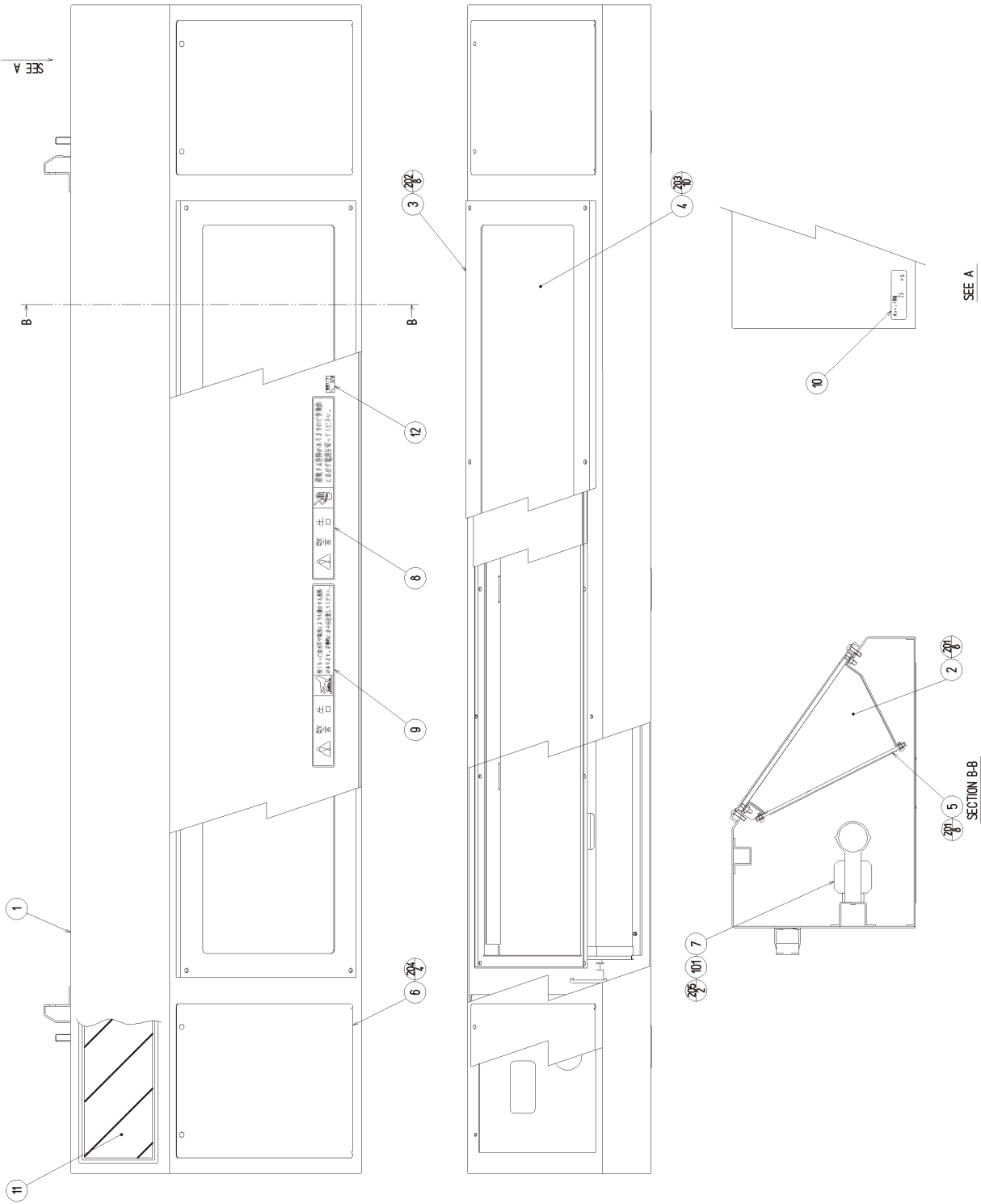
→ CABINET (COCKPIT, DLP)

44 ASSY REAR LAMP RED (ORA-5000-01)**(D-2/2)****1 CABINET (COCKPIT, DLP)**

ITEM NO.	PART NO.	DESCRIPTION	NOTE
1	ORA-5001X	REAR LAMP BOX	
2	ORA-5002	BARRIER	
3	ORA-5003	OUTER FRAME	
4	ORA-5004-01UL	ACRYL PLATE RED UL	
5	ORA-5005	PRISM PLATE	
6	ORA-5006	SIDE LID	
7	253-5457	FL HOLDER	
8	440-WS0143-EG	STICKER W POWER OFF WIDE ENG	
9	440-WS0027-EG	STICKER W HIGH TEMP WIDE ENG	
11	ORA-5007	STICKER STRIPES	
12	421-7501-51	STICKER FL25W	
101	390-6850-25	ASSY FL25W UL	
102	280-5275-SR10	CORD CLAMP SR10	
103	601-5526-180	BUSH 1.6T	
201	000-P00308-W	M SCR PH W/FS M3x8	
202	000-T00416-0B	M SCR TH BLK M4x16	
203	050-F00400	FLG NUT M4	
204	000-T00408-0B	M SCR TH BLK M4x8	
205	000-P00430-W	M SCR PH W/FS M4x30	
301	ORA-62006Y	WH REAR LAMP FL IN AC120V EXP	

45 ASSY REAR LAMP YELLOW (ORA-5000-02)

(D-1/2)



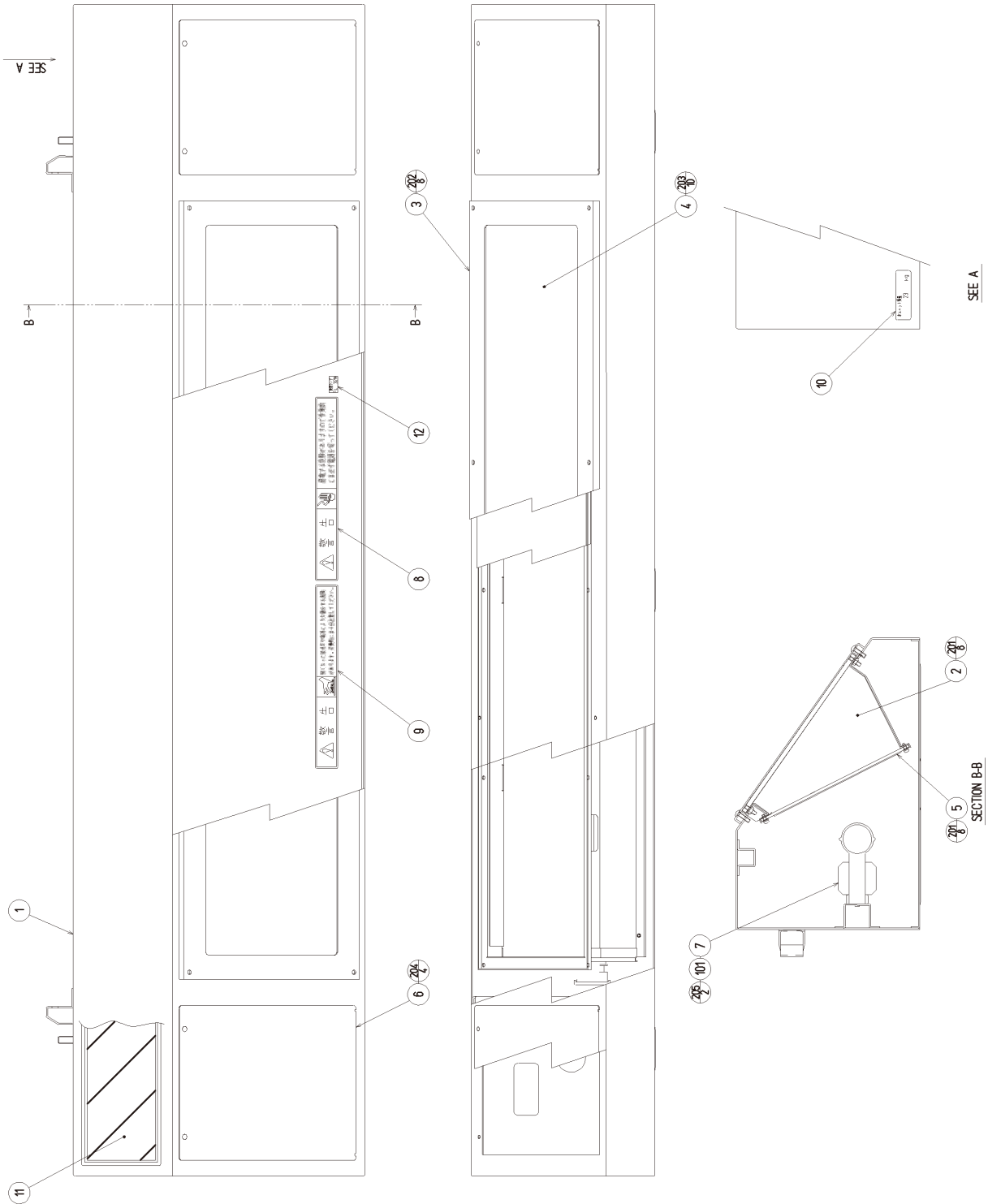
→ CABINET (COCKPIT, DLP)

45 ASSY REAR LAMP YELLOW (ORA-5000-02)**(D-2/2)****1 CABINET (COCKPIT, DLP)**

ITEM NO.	PART NO.	DESCRIPTION	NOTE
1	ORA-5001X	REAR LAMP BOX	
2	ORA-5002	BARRIER	
3	ORA-5003	OUTER FRAME	
4	ORA-5004-02UL	ACRYL PLATE YELLOW UL	
5	ORA-5005	PRISM PLATE	
6	ORA-5006	SIDE LID	
7	253-5457	FL HOLDER	
8	440-WS0143-EG	STICKER W POWER OFF WIDE ENG	
9	440-WS0027-EG	STICKER W HIGH TEMP WIDE ENG	
11	ORA-5007	STICKER STRIPES	
12	421-7501-51	STICKER FL25W	
101	390-6850-25	ASSY FL25W UL	
102	280-5275-SR10	CORD CLAMP SR10	
103	601-5526-180	BUSH 1.6T	
201	000-P00308-W	M SCR PH W/FS M3x8	
202	000-T00416-0B	M SCR TH BLK M4x16	
203	050-F00400	FLG NUT M4	
204	000-T00408-0B	M SCR TH BLK M4x8	
205	000-P00430-W	M SCR PH W/FS M4x30	
301	ORA-62006Y	WH REAR LAMP FL IN AC120V EXP	

46 ASSY REAR LAMP BLUE (ORA-5000-03)

(D-1/2)



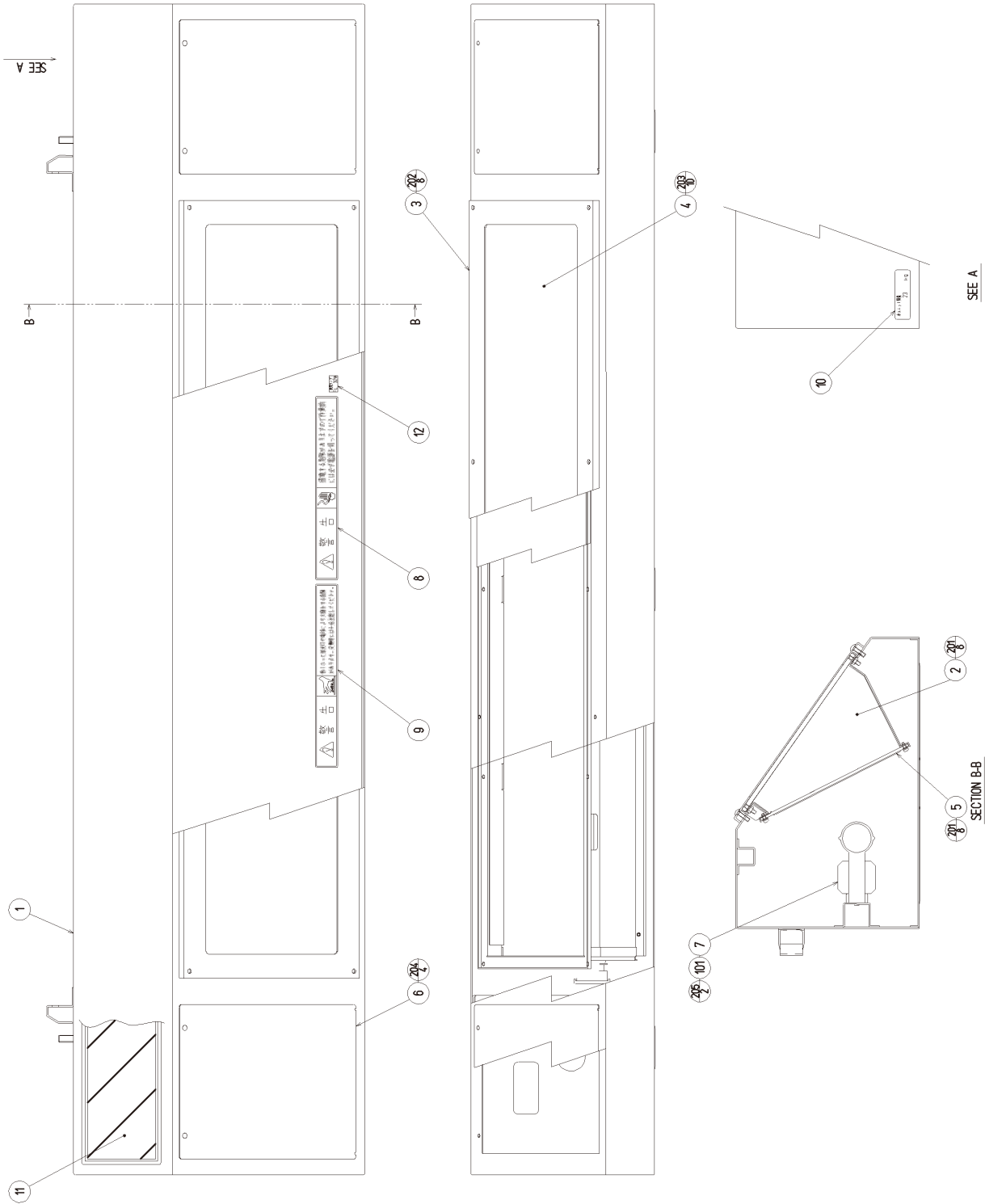
→ CABINET (COCKPIT, DLP)

46 ASSY REAR LAMP BLUE (ORA-5000-03)**(D-2/2)****1 CABINET (COCKPIT, DLP)**

ITEM NO.	PART NO.	DESCRIPTION	NOTE
1	ORA-5001X	REAR LAMP BOX	
2	ORA-5002	BARRIER	
3	ORA-5003	OUTER FRAME	
4	ORA-5004-03UL	ACRYL PLATE BLUE UL	
5	ORA-5005	PRISM PLATE	
6	ORA-5006	SIDE LID	
7	253-5457	FL HOLDER	
8	440-WS0143-EG	STICKER W POWER OFF WIDE ENG	
9	440-WS0027-EG	STICKER W HIGH TEMP WIDE ENG	
11	ORA-5007	STICKER STRIPES	
12	421-7501-51	STICKER FL25W	
101	390-6850-25	ASSY FL25W UL	
102	280-5275-SR10	CORD CLAMP SR10	
103	601-5526-180	BUSH 1.6T	
201	000-P00308-W	M SCR PH W/FS M3x8	
202	000-T00416-0B	M SCR TH BLK M4x16	
203	050-F00400	FLG NUT M4	
204	000-T00408-0B	M SCR TH BLK M4x8	
205	000-P00430-W	M SCR PH W/FS M4x30	
301	ORA-62006Y	WH REAR LAMP FL IN AC120V EXP	

47 ASSY REAR LAMP SILVER (ORA-5000-04)

(D-1/2)

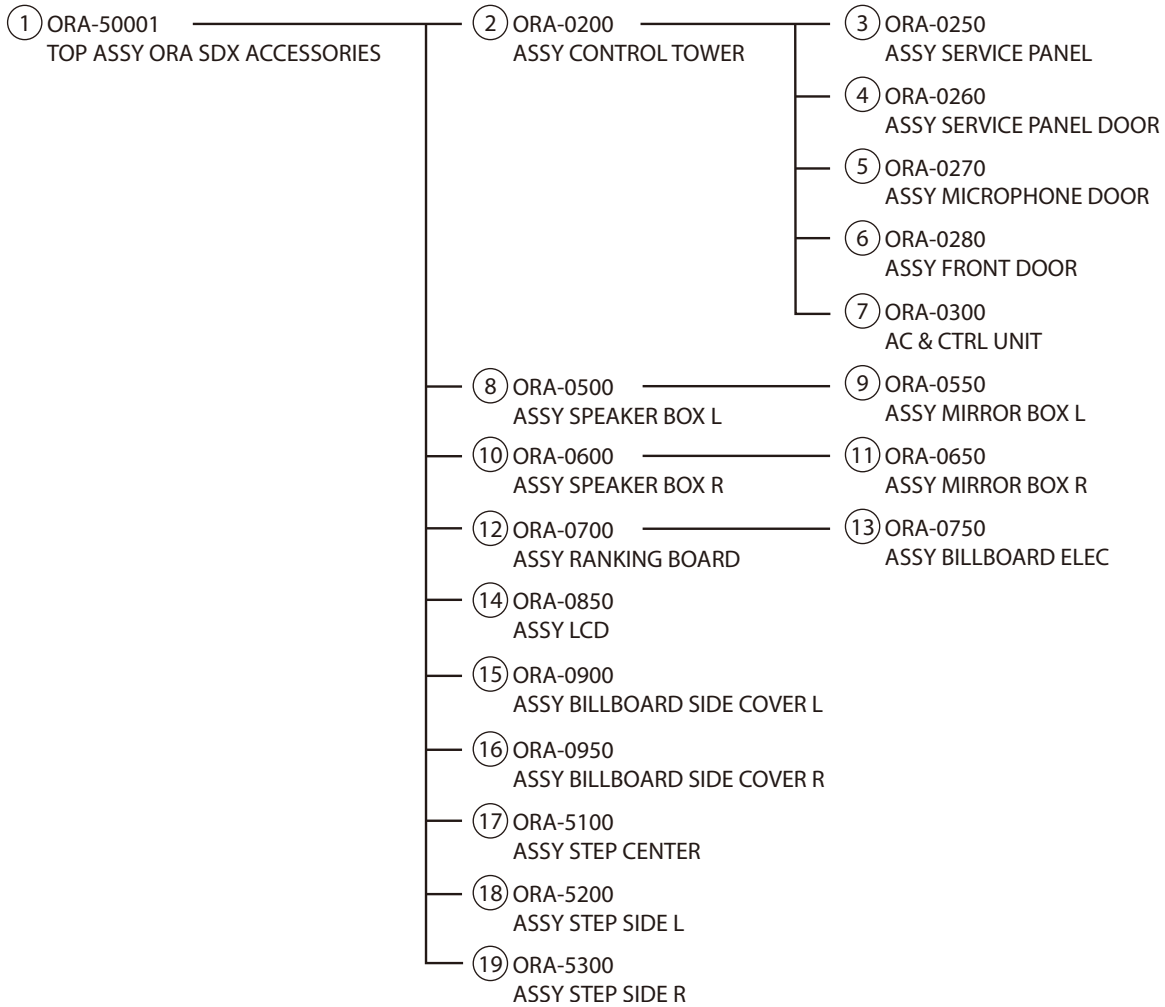


→ CABINET (COCKPIT, DLP)

47 ASSY REAR LAMP SILVER (ORA-5000-04)**(D-2/2)****1 CABINET (COCKPIT, DLP)**

ITEM NO.	PART NO.	DESCRIPTION	NOTE
1	ORA-5001X	REAR LAMP BOX	
2	ORA-5002	BARRIER	
3	ORA-5003	OUTER FRAME	
4	ORA-5004-04UL	ACRYL PLATE SILVER UL	
5	ORA-5005	PRISM PLATE	
6	ORA-5006	SIDE LID	
7	253-5457	FL HOLDER	
8	440-WS0143-EG	STICKER W POWER OFF WIDE ENG	
9	440-WS0027-EG	STICKER W HIGH TEMP WIDE ENG	
11	ORA-5007	STICKER STRIPES	
12	421-7501-51	STICKER FL25W	
101	390-6850-25	ASSY FL25W UL	
102	280-5275-SR10	CORD CLAMP SR10	
103	601-5526-180	BUSH 1.6T	
201	000-P00308-W	M SCR PH W/FS M3x8	
202	000-T00416-0B	M SCR TH BLK M4x16	
203	050-F00400	FLG NUT M4	
204	000-T00408-0B	M SCR TH BLK M4x8	
205	000-P00430-W	M SCR PH W/FS M4x30	
301	ORA-62006Y	WH REAR LAMP FL IN AC120V EXP	

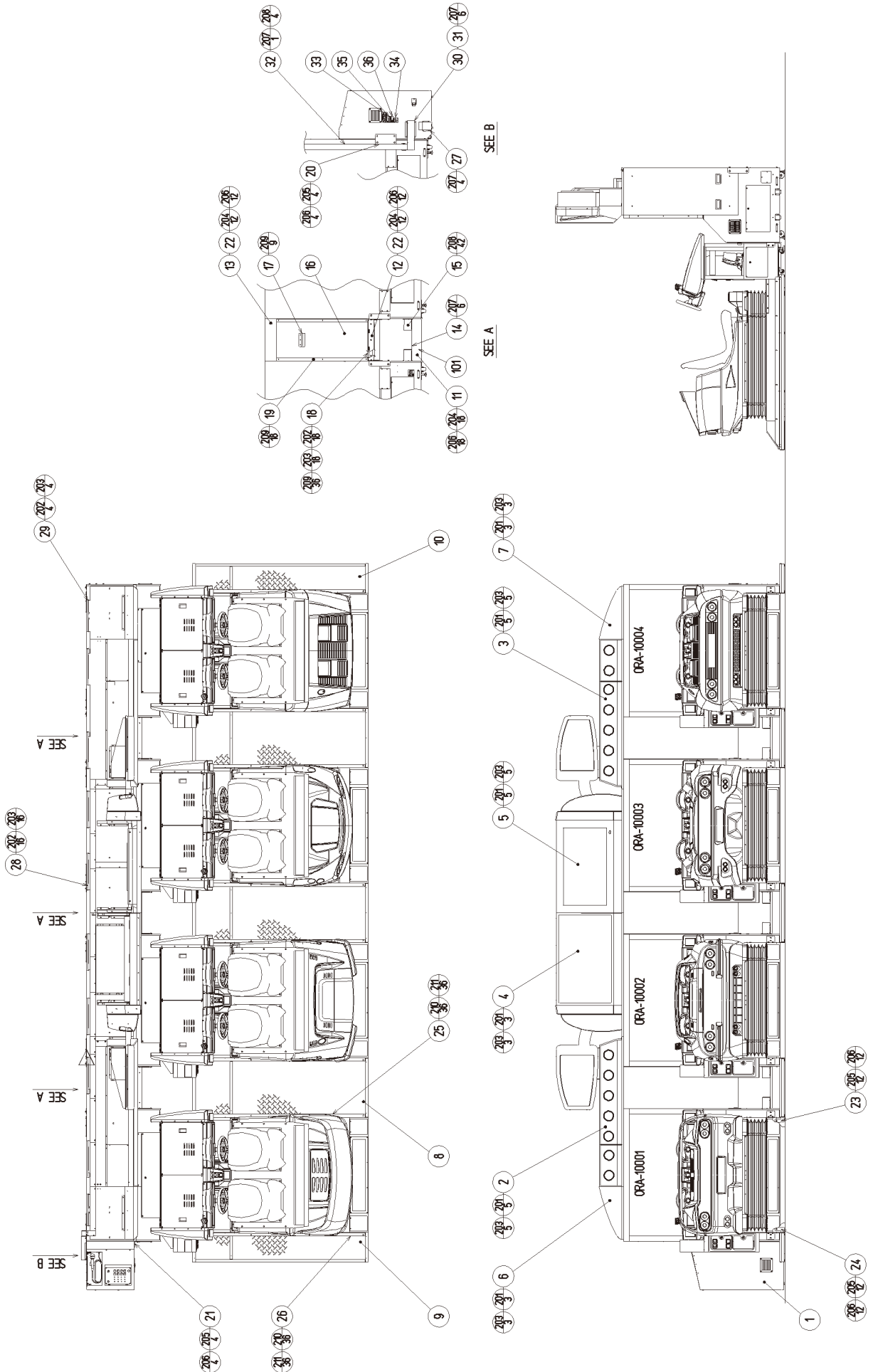
2 CONTROL TOWER, BILLBOARD, STEP



① TOP ASSY ORA SDX ACCESSORIES (ORA-50001)

(D-1/3)

2 CONTROL TOWER, BILLBOARD, STEP



1 TOP ASSY ORA SDX ACCESSORIES (ORA-50001)

(D-2/3)

ITEM NO.	PART NO.	DESCRIPTION	NOTE
1	ORA-0200	ASSY CONTROL TOWER	
2	ORA-0500	ASSY SPEAKER BOX L	
3	ORA-0600	ASSY SPEAKER BOX R	
4	ORA-0700	ASSY RANKING BOARD	
5	ORA-0850	ASSY LCD	
6	ORA-0900	ASSY BILLBOARD SIDE COVER L	
7	ORA-0950	ASSY BILLBOARD SIDE COVER R	
8	ORA-5100	ASSY STEP CENTER	
9	ORA-5200	ASSY STEP SIDE L	
10	ORA-5300	ASSY STEP SIDE R	
11	ORA-0001	DLP JOINT LOWER	
12	ORA-0002	DLP JOINT MIDDLE	
13	ORA-0003	DLP JOINT UPPER	
14	ORA-0004X	DLP JOINT LOWER COVER	
15	ORA-0005	DLP JOINT WIRE COVER	
16	ORA-0006	DLP SIDE PLATE	
17	ORA-0007	DLP SIDE PLATE HANDLE	
18	ORA-0008	DLP SIDE PLATE HOLDER	
19	ORA-0009	DLP SIDE SPACER	
20	ORA-0012	CONTROL TOWER HOLDER REAR	
21	ORA-0013	CONTROL TOWER HOLDER FRONT	
22	ORA-0015	DLP JOINT HOLDER	
23	ORA-0018	STEP HOLDER L	
24	ORA-0019	STEP HOLDER R	
25	ORA-0020	STEP LID L	
26	ORA-0021	STEP LID R	
27	ORA-0219	POWER CABLE COVER	
28	ORA-0401X	WOODEN BASE HOOK	
29	ORA-0402X	WOODEN BASE HOOK SIDE	
30	ORA-0404	TOWER DUCT	
31	ORA-0405	TOWER DUCT COVER	
32	ORA-0413X	VERTICAL DUCT	
37	SGM-4569	POLY COVER 600x600x1100	
101	211-5679	LAN JOINT ACROS ALA615	
102	280-5277	CORD CLAMP 18	
201	030-000640-SB	HEX BLT W/S BLK M6x40	
202	030-000616-SB	HEX BLT W/S BLK M6x16	
203	060-F00600-0B	FLT WSHR BLK M6	
204	030-000830-SB	HEX BLT W/S BLK M8x30	
205	030-000820-SB	HEX BLT W/S BLK M8x20	
206	068-852216-0B	FLT WSHR BLK 8.5-22x1.6	
207	000-P00408-WB	M SCR PH W/FS BLK M4x8	
208	000-P00416-WB	M SCR PH W/FS BLK M4x16	
209	011-T03512	TAP SCR TH 3.5x12	
210	000-T00516-0B	M SCR TH BLK M5x16	
211	068-552016-0B	FLT WSHR BLK 5.5-20x1.6	
212	000-P00408	M SCR PH M4x8	
213	060-S00400	SPR WSHR M4	
214	060-F00400	FLT WSHR M4	
215	050-H00400	HEX NUT M4	
301	ORA-60081X	WH BB TCN3 TO JCN12	
302	ORA-65510	WH BB TCN1 TO JCN11 UL	
303	ORA-60083X	WH BB TCN2 TO JCN13	
304	ORA-60099XX	WH BB TJ5 TO JCN14	
305	600-7914-5200	WH EARTH UL1015 AWG10 5200 MM	

2 CONTROL TOWER, BILLBOARD, STEP

① TOP ASSY ORA SDX ACCESSORIES (ORA-50001)

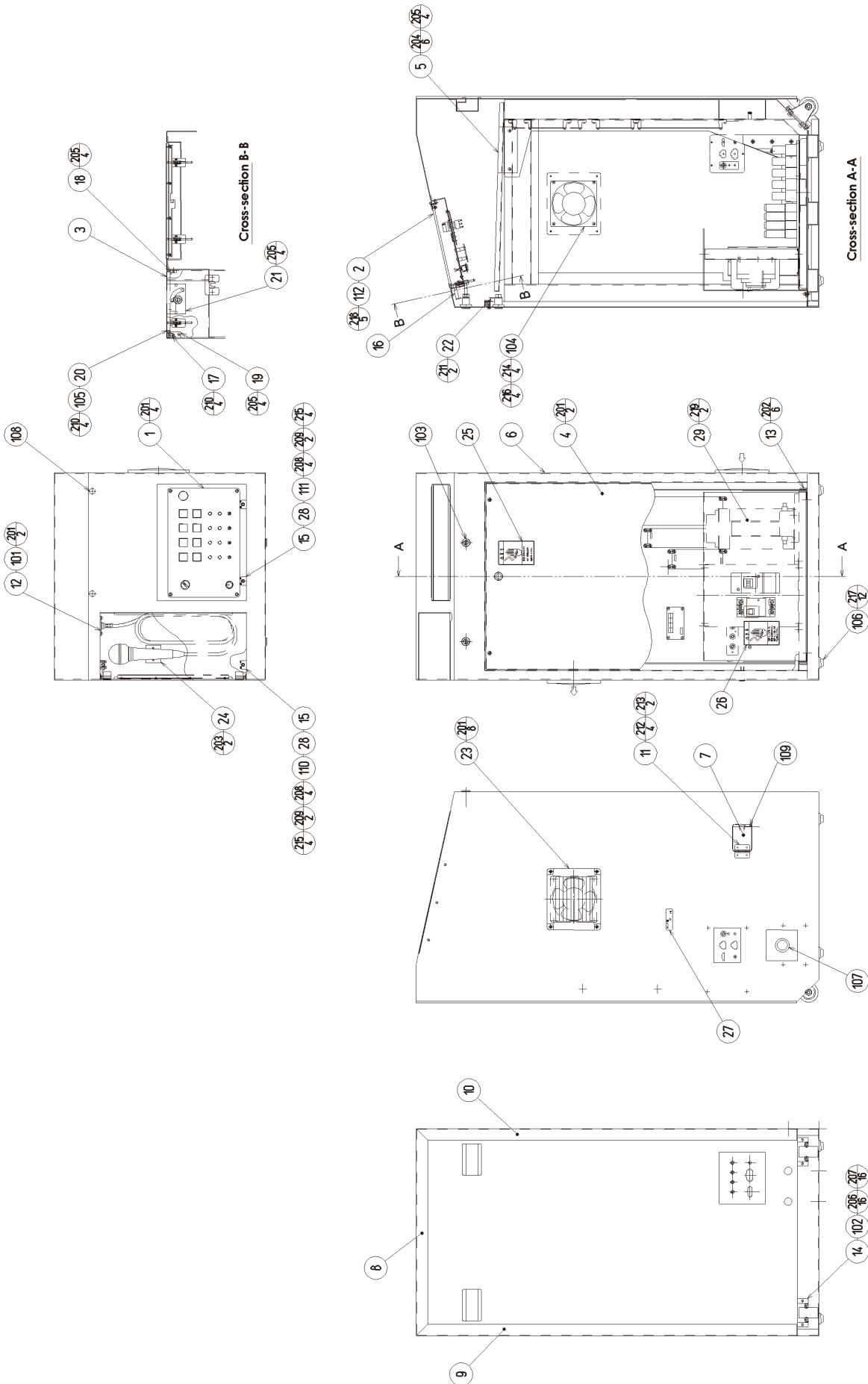
(D-3/3)

2 CONTROL TOWER, BILLBOARD, STEP

ITEM NO.	PART NO.	DESCRIPTION	NOTE
401	420-6958-02	OWNERS MANUAL ORA UL	
402	420-6990-01	SERVICE MANUAL ORA ENG	
403	420-6991-02	PARTS CAT ORA UL	
404	220-5793-2-A001	KEY MASTER A001	
405	SGM-4111Y	KEY BAG	
406	220-5753	VOL CONT B-5K OHM (TOCOS)	
	220-5484	VOL CONT B-5K OHM	
407	390-6732-40M	HALOGEN LAMP JDR110V40WLM/K	
408	509-5704	SW MICRO TYPE (OMRON K3L13)	
409	090-0083	GREASE GUN UNIT	
410	090-0289	AFB GREASE (THK)	
411	610-0727-0015	DVD SOFT KIT ORA	
412	420-6921-01	SERVICE MANUAL LBG ENG	
413	540-0007-01	WRENCH M5 TMP SCR	
/	610-0719-01-91	DVD-DRIVE UNIT USB	
/	420-6923-01	SERVICE MANUAL DVP ENG	
/	605-0094	ASSY WIRE DVD FOR LINDBERGH	
/	421-6690-12	STICKER 208V	
/	440-WS0286-EG	STICKER W DO NOT OPEN ENG	
/	220-5793-2-A003	KEY MASTER A003	

2 ASSY CONTROL TOWER (ORA-0200)

(D-1/3)



2 CONTROL TOWER, BILLBOARD, STEP

② ASSY CONTROL TOWER (ORA-0200)

(D-2/3)

ITEM NO.	PART NO.	DESCRIPTION	NOTE
1	ORA-0250	ASSY SERVICE PANEL	
2	ORA-0260	ASSY SERVICE PANEL DOOR	
3	ORA-0270	ASSY MICROPHONE DOOR	
4	ORA-0280	ASSY FRONT DOOR	
5	ORA-0300	AC & CTRL UNIT	
6	ORA-0201	CONTROL TOWER BOX	
7	ORA-0202	POWER SW DOOR	
8	ORA-0203	JOINT RUBBER UPPER	
9	ORA-0204	JOINT RUBBER SIDE L	
10	ORA-0205	JOINT RUBBER SIDE R	
11	ORA-0206	POWER SW HINGE	
12	ORA-0207	MIC CABLE HOLDER	
13	ORA-0208	GUIDE RAIL	
14	ORA-0209	CASTER BRKT	
15	ORA-0210	PUSH PIN	
16	ORA-0211	KEY SHAFT	
17	ORA-0212	MIC DOOR STOPPER A	
18	ORA-0213	MIC DOOR STOPPER B	
19	ORA-0215	HINGE SHAFT BASE	
20	ORA-0216	HINGE SPACER	
21	ORA-0217	KEY GUIDE	
22	ORA-0218X	TNG RETAINER	
23	253-5460-01	AIR VENT BLACK	
24	TQS-1110	MIC HOLDER	
25	440-WS0002XEG	STICKER W POWER OFF ENG	
26	440-DS0313-EG	STICKER D HIGH VOLTAGE ENG	
28	ORA-0220	PUSH PIN HOLDER	
29	ORA-0221	BREAKER COVER	
101	130-5248	DYNAMIC MICROPHONE CX-80	
102	601-6151-01	CASTER (TAKIGEN K-600HBR-50)	
103	220-5793-1-A003	CLY LOCK MASTER W/O KEY A003	
104	260-0106-01	FAN AC100V MU1225M-51N	
105	601-11787-3	HINGE (TOCHIGIYA TH-122-3)	
106	601-11788	RUBBER FEET TOCHIGIYA TTK-2713	
107	601-5525-070	BUSH 1.2T (L=70MM)	
108	601-11790-15	CUSHION TM-182-816-15	
109	601-11792-50	MAGNET (TM-133-1 L=50)	
110	125-5232	COMP SPRING (MISUMI UF6-35)	
111	125-5233	COMP SPRING (MISUMI UR6-35)	
112	601-11903-06	SPACER SCREW BSU-306	
113	280-6676	CORD CLAMP TL-25A TTK	
201	000-T00408-0B	M SCR TH BLK M4x8	
202	000-F00408	M SCR FH M4x8	
203	000-T00412-0B	M SCR TH BLK M4x12	
204	000-P00512-WB	M SCR PH W/FS BLK M5x12	
205	000-P00308-WB	M SCR PH W/FS BLK M3x8	
206	030-000612-S	HEX BLT W/S M6x12	
207	060-F00600	FLT WSHR M6	
208	065-E00300	E RING 3MM	
209	060-F00400	FLT WSHR M4	
210	050-F00300	FLG NUT M3	
211	000-F00308-0B	M SCR FH BLK M3x8	
212	FAS-000001	M SCR TH CRM M3x6	
213	050-C00300-3C	CAP NUT TYPE3 CRM M3	
214	050-H00400	HEX NUT M4	
215	000-P00316-WB	M SCR PH W/FS BLK M3x16	
216	060-S00400	SPR WSHR M4	
217	000-P00408-S	M SCR PH W/S M4x8	
218	000-P00306-W	M SCR PH W/FS M3x6	
219	000-P00408-WB	M SCR PH W/FS BLK M4x8	

② ASSY CONTROL TOWER (ORA-0200)

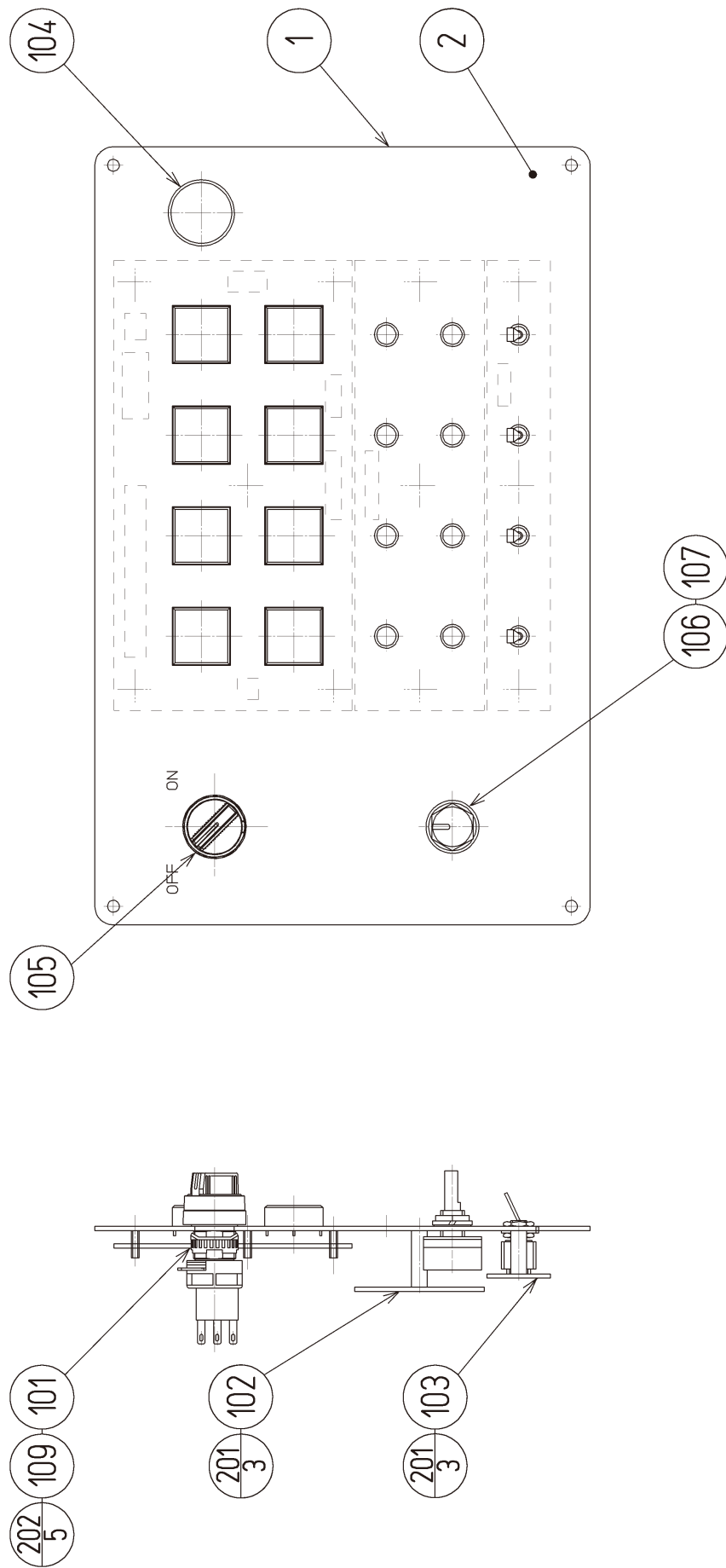
(D-3/3)

ITEM NO.	PART NO.	DESCRIPTION	NOTE
301	TQS-60017	WH MIC1 MAIN	
302	ORA-60035X	WH CT FAN AC100V	
/	ORA-0222	TOWER FRONT TRAY FOR UL	
/	ORA-64001X	WH AC POWER TOWER UL	

2 CONTROL TOWER, BILLBOARD, STEP

3 ASSY SERVICE PANEL (ORA-0250)

(D-1/2)



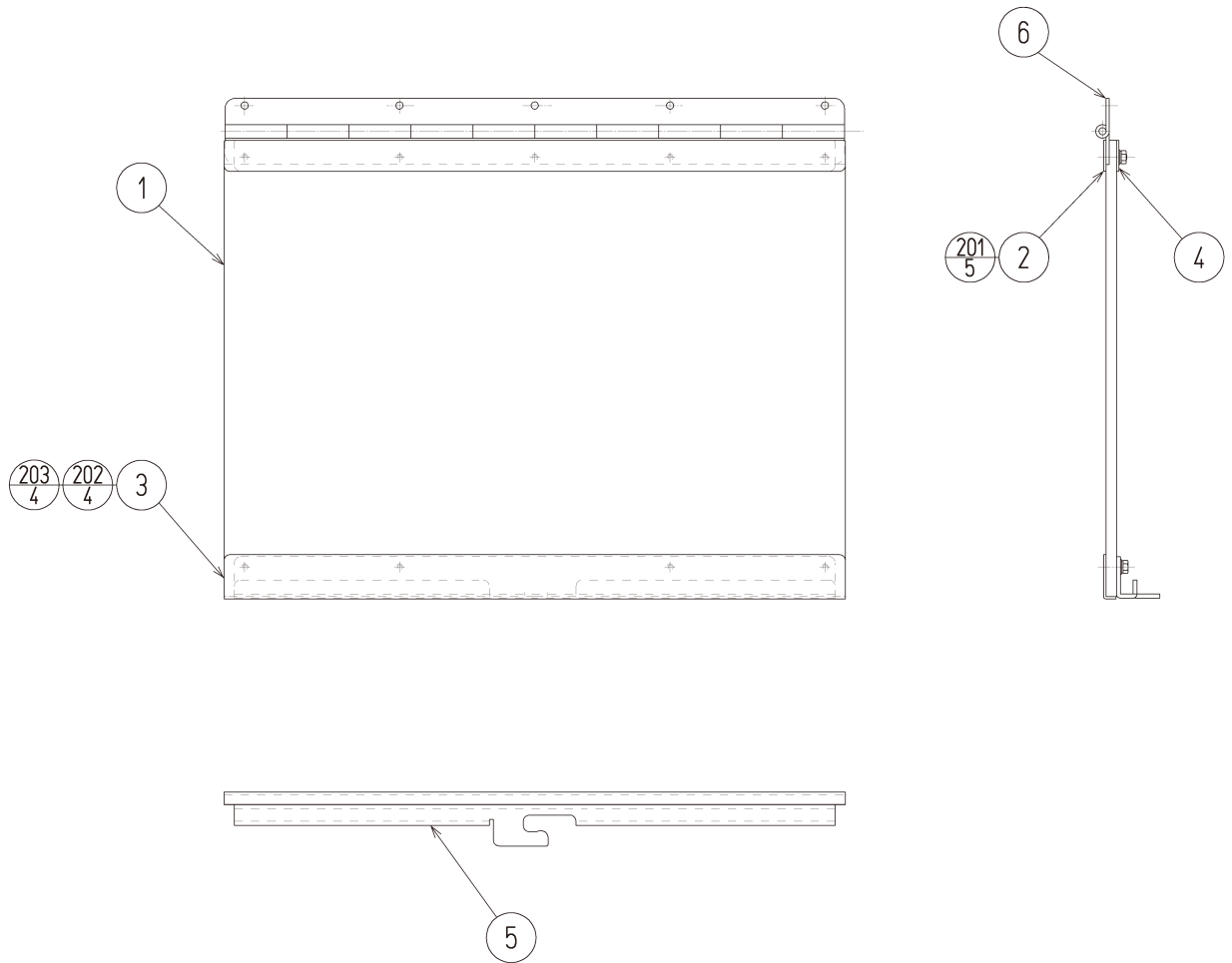
3 ASSY SERVICE PANEL (ORA-0250)

(D-2/2)

ITEM NO.	PART NO.	DESCRIPTION	NOTE
1	ORA-0251	SERVICE PANEL BASE	
2	ORA-0252	STICKER SERVICE PANEL	
101	838-14619	CTRL TWR ENTRY SW BD ORA	
102	838-14620	CTRL TWR STATUS LED BD ORA	
103	838-14621	CTRL TWR MOTION SW BD ORA	
104	509-6122	SW LB-15CKG4-41YLYS NIKKAI	
105	509-6123	SW HA1S-2C1 IZUMI	
106	220-5484	VOL CONT B-5K OHM	
107	601-0042	KNOB 22 MM	
108	280-5277	CORD CLAMP 18	
109	601-11770-3603	SPACER M3 HIROSUGI C-303	
110	280-5275-SR10	CORD CLAMP SR10	
111	310-5029-G15	SUMITUBE F G 15MM	
201	000-P00308-W	M SCR PH W/FS M3×8	
202	050-F00300	FLG NUT M3	
301	ORA-60016	WH CT U10 TO U11	
302	ORA-60017	WH CT U10 TO U12	
303	ORA-60018X	WH CT U10 TO START	
304	ORA-60019	WH CT U10 TO MAIN	
305	ORA-60022	WH CT VR1 TO VOLUME	

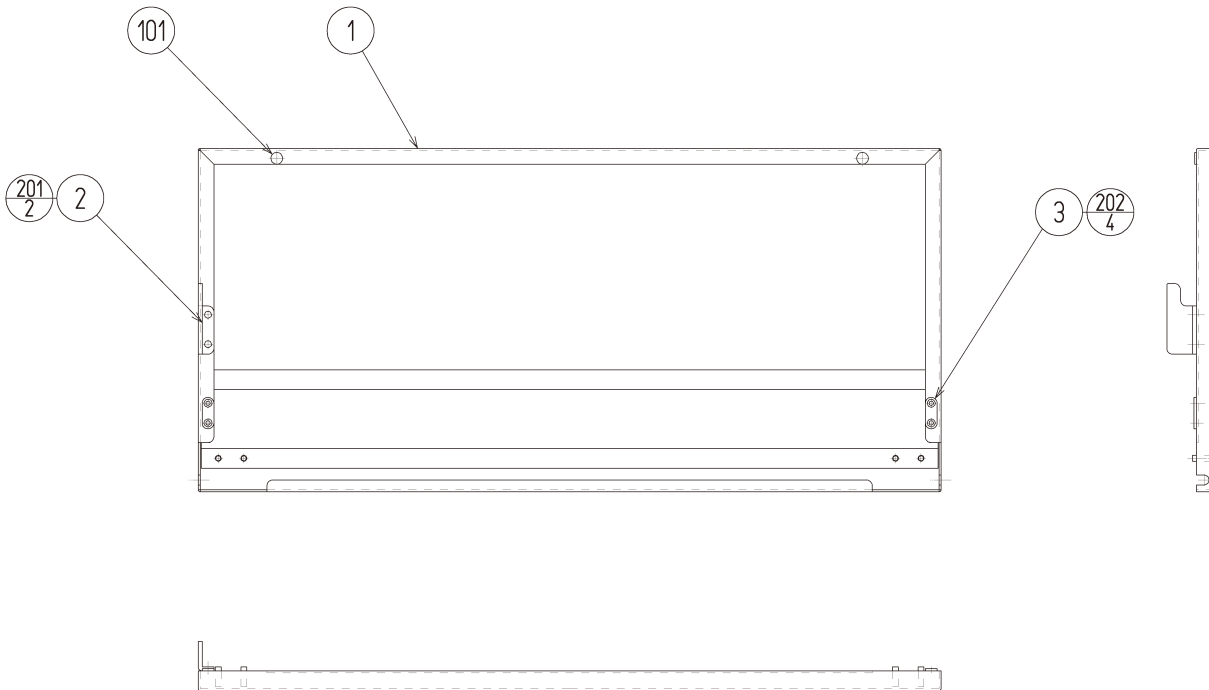
2 CONTROL TOWER, BILLBOARD, STEP

4 ASSY SERVICE PANEL DOOR (ORA-0260)



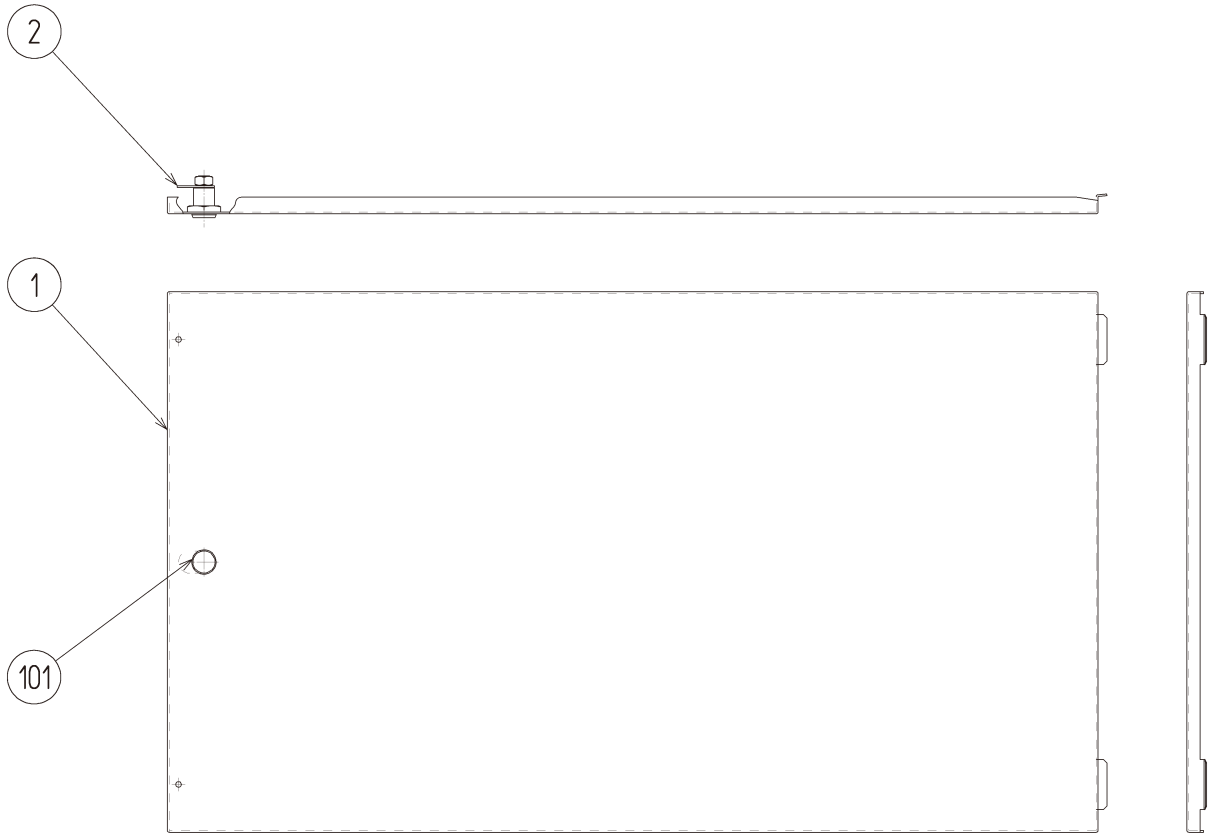
ITEM NO.	PART NO.	DESCRIPTION	NOTE
1	ORA-0261	SERVICE PANEL DOOR	
2	ORA-0262	SERVICE DOOR STUD PLATE A	
3	ORA-0263	SERVICE DOOR STUD PLATE B	
4	ORA-0264	SERVICE DOOR HOLDER PLATE	
5	ORA-0265	SERVICE DOOR KEY HOLDER	
6	ORA-0266	SERVICE DOOR HINGE	
201	050-F00300	FLG NUT M3	
202	060-S00300	SPR WSHR M3	
203	050-C00300-3C	CAP NUT TYPE3 CRM M3	

5 ASSY MICROPHONE DOOR (ORA-0270)

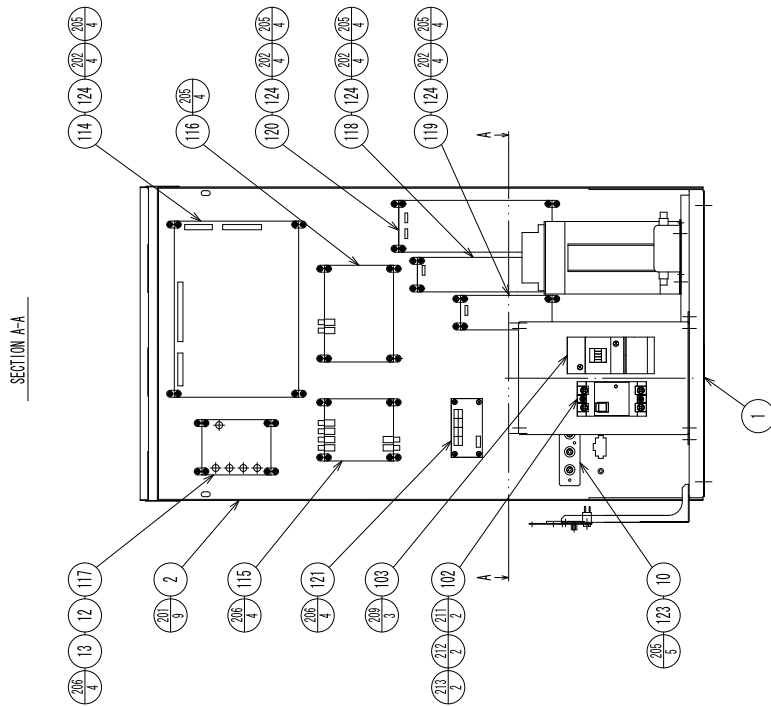
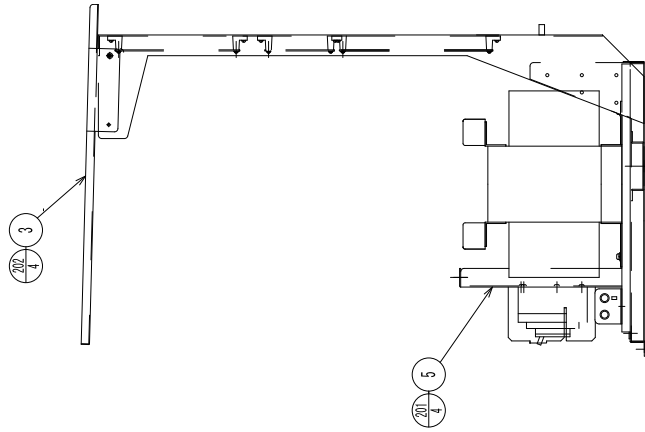
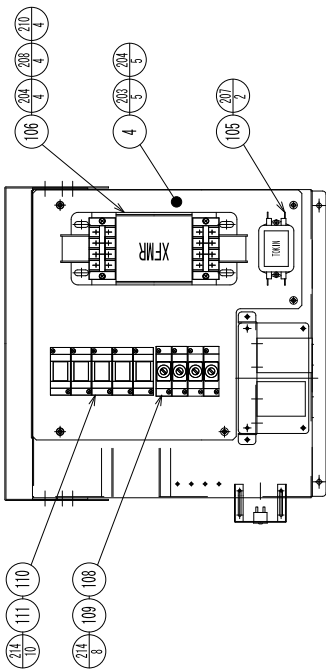


ITEM NO.	PART NO.	DESCRIPTION	NOTE
1	ORA-0271X	MICROPHONE DOOR	
2	ORA-0272	MIC DOOR TONGUE	
3	ORA-0273	PUSH PIN PLATE	
101	601-11791-6	CUSHION TM-182-832-6	
201	000-P00306-S	M SCR PH W/S M3x6	
202	FAS-000173	M SCR FH STN M2 6	

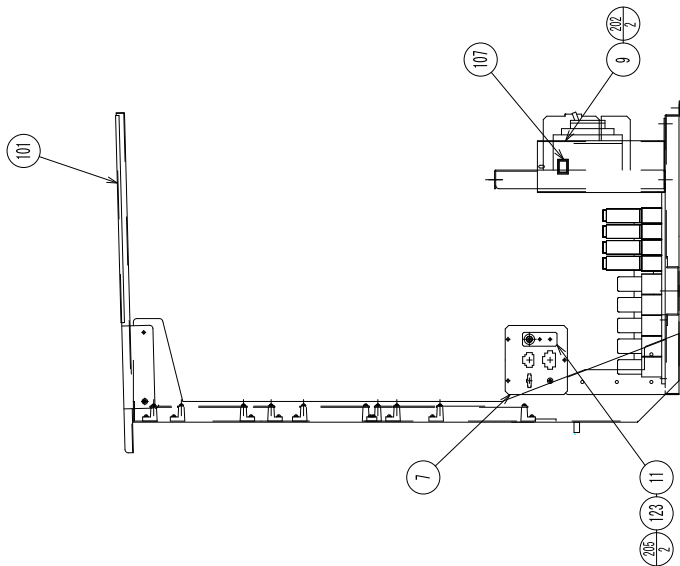
6 ASSY FRONT DOOR (ORA-0280)



ITEM NO.	PART NO.	DESCRIPTION	NOTE
1	ORA-0281X	TOWER FRONT DOOR	
2	ORA-0282	TOWER FRONT DOOR TONGUE	
101	220-5793-1-A001	CLY LOCK MASTER W/O KEY A001	



SECTION A-A



7 AC & CTRL UNIT (ORA-0300)

(D-2/3)

ITEM NO.	PART NO.	DESCRIPTION	NOTE
1	ORA-0301X	TOWER ELEC BASE LOWER	
2	ORA-0302X	TOWER ELEC BASE UPPER	
3	ORA-0303	TOWER ELEC UPPER TRAY	
4	ORA-0304X	WOODEN BASE TOWER ELEC	
5	ORA-0312	BREAKER BASE	
7	ORA-0307X	TOWER CONNECTOR PANEL	
9	ORA-0309X	POWER SW BASE	
10	ORA-0310	VIDEO CABLE HOLDER A	
11	ORA-0311	VIDEO CABLE HOLDER B	
12	421-12251-02	STICKER AC IN 208V	
13	421-8202	STICKER EARTH MARK	
101	601-6231-A300	EDGING NEW TYPE (L=300MM)	
102	512-5087	BREAKER EA32AC/20	
103	450-5207-02	CONTACTER SC-4-1 AC200V	
105	270-5115	NOISE FILTER 15A GT-215J	
106	560-5552-V-91	XFMR 200-230V 100V 23A WB	
107	509-6102-H-B	SW ROCKER TP514x1 (FUJI)	
108	450-5204	RELAY HH54P-CRAC200/220V	
109	214-0274	RELAY SOCKET TP514X1 (FUJI)	
110	450-5214	TIMER RELAY S1DXMA2C30M-AC220V	
111	214-0283	RELAY SOCKET HJ2-SFD	
112	105-5593	RELAY HOLD BRKT ADX18012	
114	838-14618-01	CONTROL BD ORA TOWER	
115	838-14447	MIC MIX BD	
116	838-14515-A01	SOUND AMP ANALOG IN	
117	838-14584	VIDEO SWITCH 4CH BD	
118	400-5421-05005Y	SW REGU LCA50S-5-Y	
119	400-5421-03012Y	SW REGU LCA30S-12-Y	
120	400-5421-15024Y	SW REGU LCA150S-24-Y	
121	838-14551	DISTRIBUTION BD	
122	310-5029-F20	SUMITUBE F F 20MM	
123	210-5187	RCA PIN JACK T5613-F EMUDEN	
124	280-6681	L-LOCK LT-320PCG	
125	280-5277	CORD CLAMP 18	
126	280-5275-SR10	CORD CLAMP SR10	
127	280-5247	ONE TOUCH BUSHING	
128	280-5248-10	ONE TOUCH COLLAR M3 L=10	
201	000-P00408-W	M SCR PH W/FS M4x8	
202	000-P00308-W	M SCR PH W/FS M3x8	
203	030-000625-S	HEX BLT W/S M6x25	
204	060-F00600	FLT WSHR M6	
205	000-P00312-W	M SCR PH W/FS M3x12	
206	000-P00320-W	M SCR PH W/FS M3x20	
207	011-T03512	TAP SCR TH 3.5x12	
208	030-000616-S	HEX BLT W/S M6x16	
209	000-P00416-W	M SCR PH W/FS M4x16	
210	000-P00512-W	M SCR PH W/FS M5x12	
211	000-P00455	M SCR PH M4x55	
212	060-F00400	FLT WSHR M4	
213	060-S00400	SPR WSHR M4	
214	011-P00416	TAP SCR PH 4x16	
215	000-P00408	M SCR PH M4x8	
216	000-P00412	M SCR PH M4x12	
217	011-F00310	TAP SCR FH 3x10	

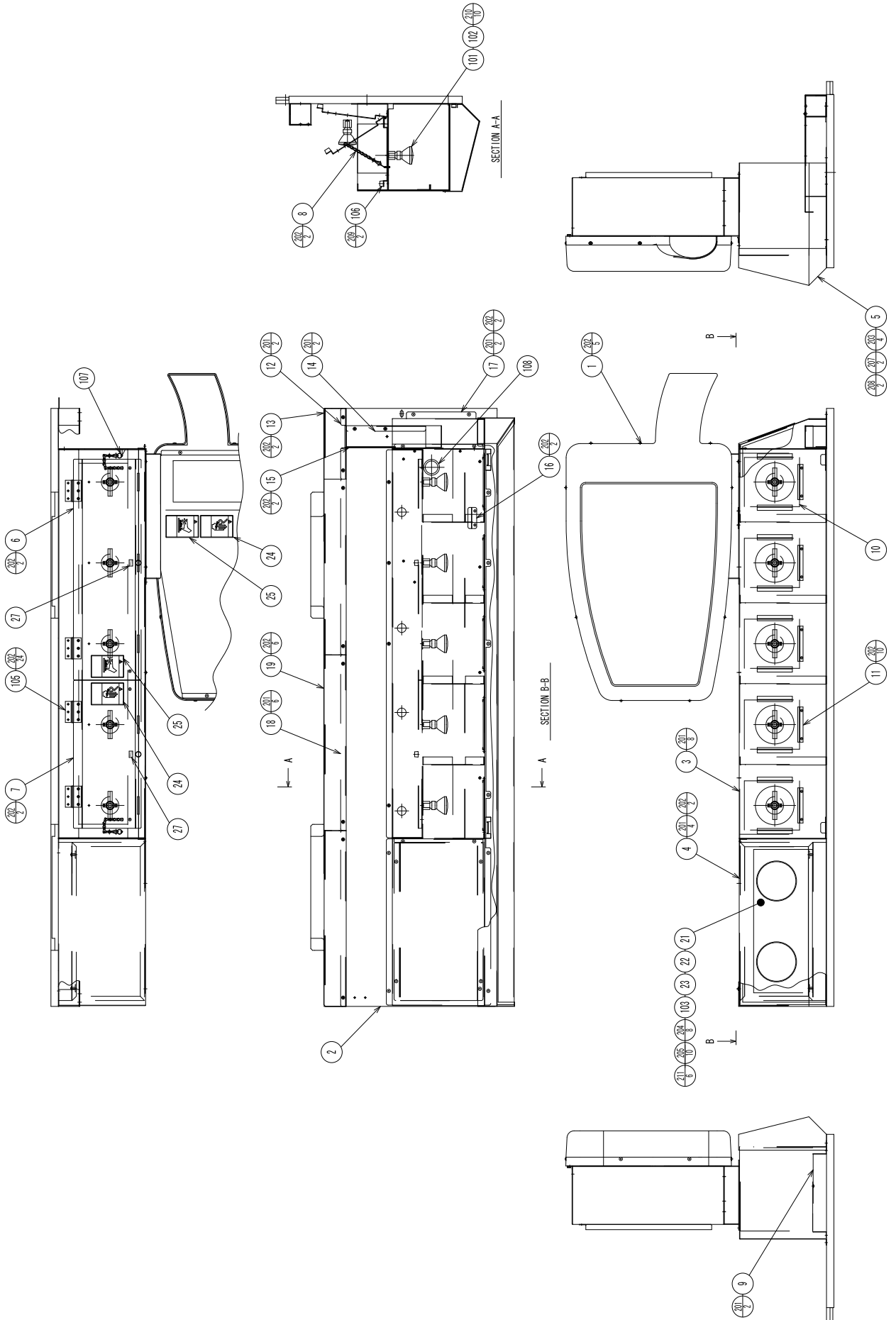
7 AC & CTRL UNIT (ORA-0300)**(D-3/3)**

ITEM NO.	PART NO.	DESCRIPTION	NOTE
301	ORA-65501	WH CT NFB1 TO MC1 UL	
302	ORA-65502	WH CT MC1 TO NF1 UL	
303	ORA-65503	WH CT NF1 TO T1 UL	
304	ORA-65504X	WH CT SW1 TO RL4 UL	
305	ORA-65505	WH CT NF1 TO NB2 UL	
307	ORA-65506X	WH CT TCN1 TO T1 UL	
308	ORA-65509	WH CT U4 TO T1 UL	
309	ORA-65507	WH CT U4 TO ACDC UL	
310	ORA-6009Z	WH CT ACDC TO PKG	
311	ORA-60010	WH CT U1 TO U5	
312	ORA-65508Z	WH CT TCN5 TO RL UL	
313	ORA-60012	WH CT TCN2 TO U3	
314	ORA-60013X	WH CT TCN4 TO U5	
315	ORA-60014X	WH CT TCN3 TO U5	
316	ORA-60015	WH CT U5 TO U10	
317	ORA-60020X	WH CT U2 TO MIC1	
318	ORA-60021	WH CT U3 TO VR1	
320	ORA-60023Y	WH CT U2J3 TO U3J2	
321	ORA-60024Y	WH CT U2J4 TO U3J1	
322	ORA-60025	WH CT TJ1 TO U1	
323	ORA-60026	WH CT TJ2 TO U1	
324	ORA-60027	WH CT TJ3 TO U1	
325	ORA-60028	WH CT TJ4 TO U1	
326	ORA-60029	WH CT TJ5 TO U1	
327	ORA-60030	WH CT U2CN4	
328	ORA-60150X	WH CT RL TO RL L120 WHT	
329	ORA-60151X	WH CT RL1 L400	
331	ORA-60153X	WH CT RL TO RL L120 RED	
332	ORA-60154X	WH CT RL1 L420	
333	ORA-60155X	WH CT RL5 TO RT1 L650	
335	ORA-60157Y	WH CT MC1 TO RT1 L1200	
336	ORA-60158X	WH CT RL TO RT L250	
337	ORA-60159X	WH CT RL TO RL L500	
338	ORA-60160X	WH CT RL TO RL L580	
339	ORA-60161Y	WH CT RT TO RT L810	
340	ORA-63014	WH CTRL UNIT EARTH	
/	105-5581	SW REGU BRKT	

8 ASSY SPEAKER BOX L (ORA-0500)

(D-1/2)

2 CONTROL TOWER, BILLBOARD, STEP



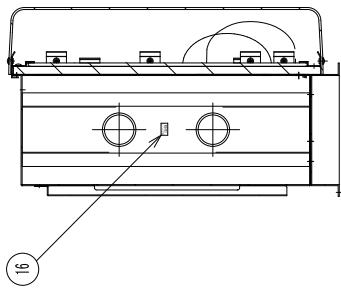
8 ASSY SPEAKER BOX L (ORA-0500)

(D-2/2)

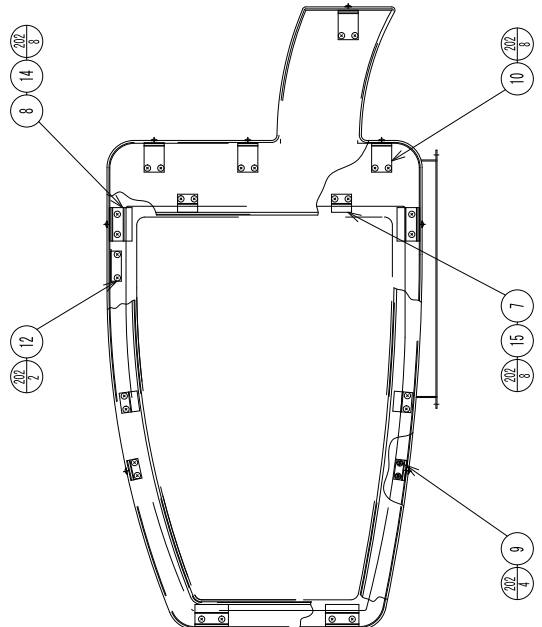
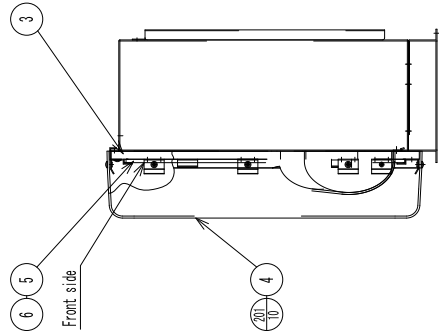
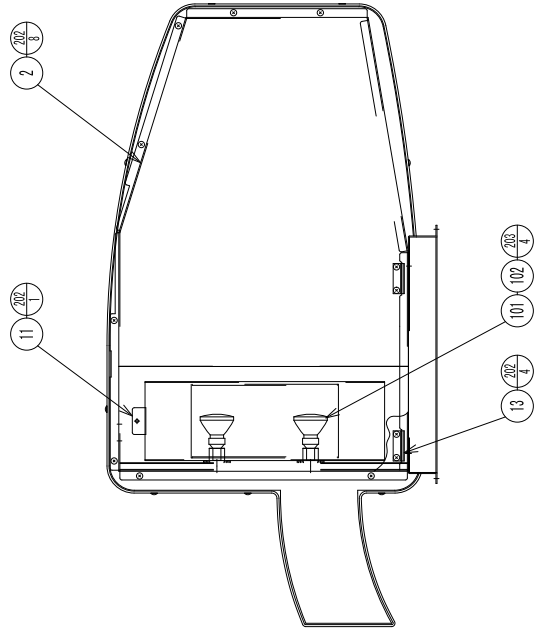
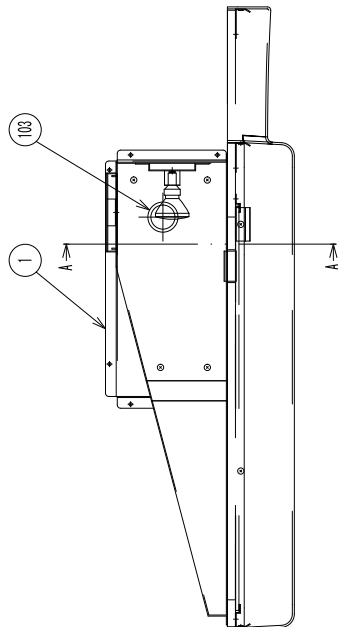
ITEM NO.	PART NO.	DESCRIPTION	NOTE
1	ORA-0550	ASSY MIRROR BOX L	
2	ORA-0501X	WOODEN BASE SPEAKER L	
3	ORA-0502X	HALOGEN BOX L	
4	ORA-0503X	SPEAKER BOX L	
5	ORA-0504	SPEAKER FRONT COVER L	
6	ORA-0505	HALOGEN DOOR LONG L	
7	ORA-0506	HALOGEN DOOR SHORT L	
8	ORA-0507	DOOR CHAIN	
9	ORA-0508X	SPEAKER BASE	
10	ORA-0509-01	PRISM PLATE SPEAKER UL	
11	ORA-0510	PRISM PLATE HOLDER	
12	ORA-0511	SP DUCT INTER L	
13	ORA-0512	SP DUCT INTER COVER L	
14	ORA-0613	SP DUCT JOINT R	
15	ORA-0514	SP DUCT JOINT COVER L	
16	ORA-0515	MIRROR UNIT HOLDER	
17	ORA-0516	HALOGEN SIDE COVER L	
18	ORA-0408	COMMON DUCT	
19	ORA-0409	COMMON DUCT COVER	
21	TBA-0351	SPEAKER BOX	
22	TBA-0352	SPEAKER BACK DOOR	
23	TBA-0353	SPEAKER BACK BRKT	
24	440-WS0002XEG	STICKER W POWER OFF ENG	
25	440-WS0012XEG	STICKER W HIGH TEMP ENG	
27	421-12106-03	STICKER BULB 40W110V UL	
101	390-6732-40M	HALOGEN LAMP JDR1 10V40WLM/K	
102	214-0221-02	HLGN SOCKET E11 W/CONN VL	
103	130-5245	SPKR 4OHM 40W 12CM SILVER	
104	280-0419	HARNESS LUG	
105	601-11774	HINGE (TOCHIGIYA TH-22SUS-2)	
106	601-11775-16	RUBBER FEET TAKIGEN C-30-RK-16	
107	601-11776-415	SPRING POST MISUMI SAIPO M4x15	
108	601-11777-36	GROMMET TAKIGEN C-30-SG-36A-UL	
109	280-5277	CORD CLAMP 18	
110	601-5526-055	BUSH 1.6T	
111	601-5526-030	BUSH 1.6T L=30MM	
201	000-P00420-WB	M SCR PH W/FS BLK M4x20	
202	000-P00408-WB	M SCR PH W/FS BLK M4x8	
203	000-T00410-0B	M SCR TH BLK M4x10	
204	005-R03113	W SCR RH 3.1x13	
205	FAS-110017	TAP SCR FH #1 BLK 3x25	
206	011-T03510	TAP SCR TH 3.5x10	
207	000-T00406-0B	M SCR TH BLK M4x6	
208	068-441616-0B	FLT WSHR BLK 4.4-16x1.6	
209	000-P00316-W	M SCR PH W/FS M3x16	
210	000-P00306-S	M SCR PH W/S M3x6	
211	000-P00412-W	M SCR PH W/FS M4x12	
301	ORA-60084	WH BB JCN12 TO JCN22	
302	ORA-65511	WH BB JCN11 TO JCN21 UL	
303	ORA-60086	WH BB JCN13 TO JCN26	
304	ORA-60093	WH BB JCN25 TO LMHL1	
305	ORA-60097	WH BB JCN26 TO LSP1	
306	ORA-60100X	WH BB JCN14 TO JCN24	
307	TBA-60119	WH SPKR BOX	
308	600-7914-3200	WH EARTH UL1015 AWG 10 3200MM	
309	600-7328-0120	WH EARTH RAV2-4 0120MM	
310	ORA-63010	WH BILLBOARD EARTH 7	

9 ASSY MIRROR BOX L (ORA-0550)

(D-1/2)



SECTION A-A



9 ASSY MIRROR BOX L (ORA-0550)

(D-2/2)

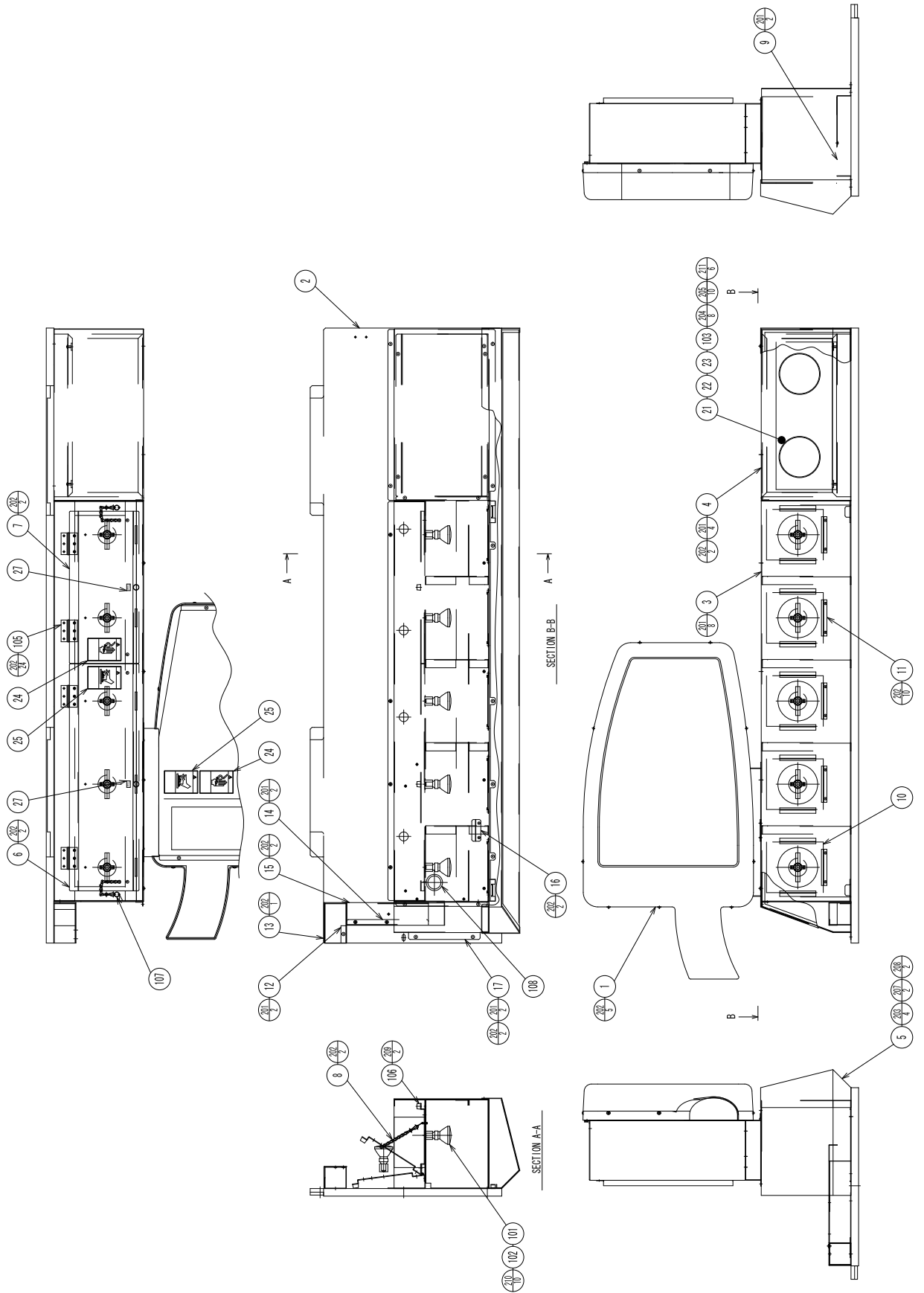
ITEM NO.	PART NO.	DESCRIPTION	NOTE
1	ORA-0551X	MIRROR BOX BASE L	
2	ORA-0552X	MIRROR BOX L	
3	ORA-0553X	MIRROR BASE WOOD L	
4	ORA-0554X	MIRROR COVER VACUUM L	
5	ORA-0555	HALF MIRROR L	
6	ORA-0556	BILLBOARD PLATE L	
7	ORA-0557	HALF MIRROR HOLDER A	
8	ORA-0558	HALF MIRROR HOLDER B	
9	ORA-0559	MIRROR VACUUM HOLDER A	
10	ORA-0560	MIRROR VACUUM HOLDER B	
11	ORA-0561	MIRROR BACK DOOR	
12	ORA-0562	MIRROR HOOK UPPER	
13	ORA-0563	MIRROR HOOK LOWER	
14	ORA-0564	MIRROR HOLD RUBBER 50	
15	ORA-0565	MIRROR HOLD RUBBER 30	
16	421-12106-03	STICKER BULB 40W110V UL	
101	390-6732-40M	HALOGEN LAMP JDR110V40WLM/K	
102	214-0221-02	HLGN SOCKET E11 W/CONN VL	
103	601-11777-36	GROMMET TAKIGEN C-30-SG-36A-UL	
104	280-5277	CORD CLAMP 18	
201	000-T00412-0B	M SCR TH BLK M4x12	
202	000-P00412-WB	M SCR PH W/FS BLK M4x12	
203	000-P00306-S	M SCR PH W/S M3x6	
/	ORA-0566	MIRROR REAR PLATE FOR UL	
/	011-T03512	TAP SCR TH 3.5x12	

2 CONTROL TOWER, BILLBOARD, STEP

10 ASSY SPEAKER BOX R (ORA-0600)

(D-1/2)

2 CONTROL TOWER, BILLBOARD, STEP



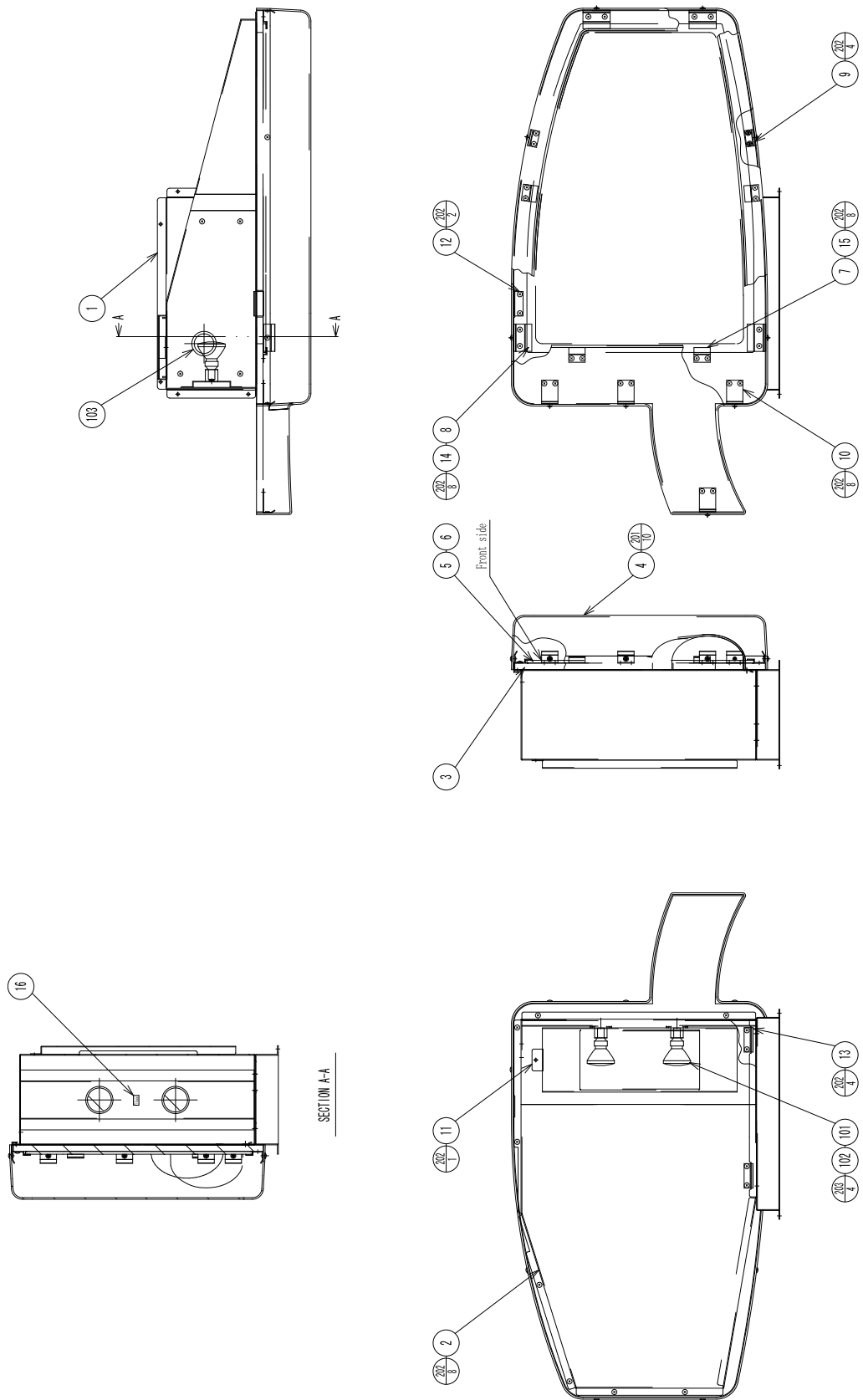
10 ASSY SPEAKER BOX R (ORA-0600)**(D-2/2)**

ITEM NO.	PART NO.	DESCRIPTION	NOTE
1	ORA-0650	ASSY MIRROR BOX R	
2	ORA-0601X	WOODEN BASE SPEAKER R	
3	ORA-0602X	HALOGEN BOX R	
4	ORA-0603X	SPEAKER BOX R	
5	ORA-0604	SPEAKER FRONT COVER R	
6	ORA-0605	HALOGEN DOOR LONG R	
7	ORA-0606	HALOGEN DOOR SHORT R	
8	ORA-0507	DOOR CHAIN	
9	ORA-0508X	SPEAKER BASE	
10	ORA-0509-01	PRISM PLATE SPEAKER UL	
11	ORA-0510	PRISM PLATE HOLDER	
12	ORA-0611	SP DUCT INTER R	
13	ORA-0612	SP DUCT INTER COVER R	
14	ORA-0513	SP DUCT JOINT L	
15	ORA-0614	SP DUCT JOINT COVER R	
16	ORA-0515	MIRROR UNIT HOLDER	
17	ORA-0616	HALOGEN SIDE COVER R	
21	TBA-0351	SPEAKER BOX	
22	TBA-0352	SPEAKER BACK DOOR	
23	TBA-0353	SPEAKER BACK BRKT	
24	440-WS0002XEG	STICKER W POWER OFF ENG	
25	440-WS0012XEG	STICKER W HIGH TEMP ENG	
27	421-12106-03	STICKER BULB 40W110V UL	
101	390-6732-40M	HALOGEN LAMP JDR110V40WLM/K	
102	214-0221-02	HLGN SOCKET E11 W/CONN VL	
103	130-5245	SPKR 4OHM 40W 12CM SILVER	
104	280-0419	HARNESS LUG	
105	601-11774	HINGE (TOCHIGIYA TH-22SUS-2)	
106	601-11775-16	RUBBER FEET TAKIGEN C-30-RK-16	
107	601-11776-415	SPRING POST MISUMI SAIPO M4x15	
108	601-11777-36	GROMMET TAKIGEN C-30-SG-36A-UL	
109	280-5277	CORD CLAMP 18	
110	601-5526-055	BUSH 1.6T	
111	601-5526-030	BUSH 1.6T L=30MM	
201	000-P00420-WB	M SCR PH W/FS BLK M4x20	
202	000-P00408-WB	M SCR PH W/FS BLK M4x8	
203	000-T00410-0B	M SCR TH BLK M4x10	
204	005-R03113	W SCR RH 3.1x13	
205	FAS-110017	TAP SCR FH #1 BLK 3x25	
206	011-T03510	TAP SCR TH 3.5x10	
207	000-T00406-0B	M SCR TH BLK M4x6	
208	068-441616-0B	FLT WSHR BLK 4.4-16x1.6	
209	000-P00316-W	M SCR PH W/FS M3x16	
210	000-P00306-S	M SCR PH W/S M3x6	
211	000-P00412-W	M SCR PH W/FS M4x12	
301	ORA-60094X	WH BB JCN45 TO RMHL1	
302	ORA-60098	WH BB JCN43 TO RSP1	
303	TBA-60119	WH SPKR BOX	
304	ORA-63011	WH BILLBOARD EARTH 8	
305	600-7328-0120	WH EARTH RAV2-4 0120MM	

11 ASSY MIRROR BOX R (ORA-0650)

(D-1/2)

2 CONTROL TOWER, BILLBOARD, STEP



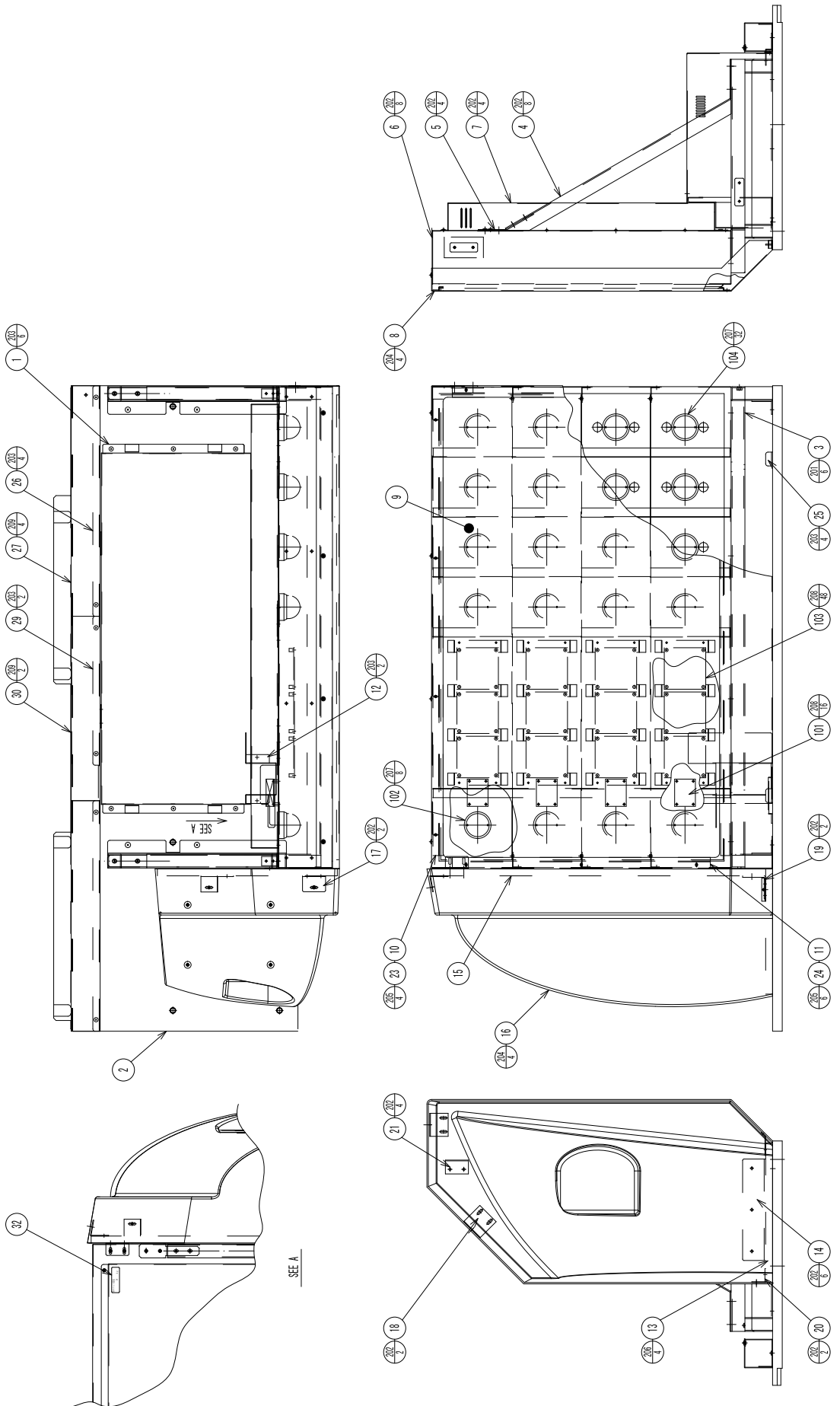
11 ASSY MIRROR BOX R (ORA-0650)**(D-2/2)**

ITEM NO.	PART NO.	DESCRIPTION	NOTE
1	ORA-0651X	MIRROR BOX BASE R	
2	ORA-0652X	MIRROR BOX R	
3	ORA-0653X	MIRROR BASE WOOD R	
4	ORA-0654X	MIRROR COVER VACUUM R	
5	ORA-0655	HALF MIRROR R	
6	ORA-0656	BILLBOARD PLATE R	
7	ORA-0557	HALF MIRROR HOLDER A	
8	ORA-0558	HALF MIRROR HOLDER B	
9	ORA-0559	MIRROR VACUUM HOLDER A	
10	ORA-0560	MIRROR VACUUM HOLDER B	
11	ORA-0561	MIRROR BACK DOOR	
12	ORA-0562	MIRROR HOOK UPPER	
13	ORA-0563	MIRROR HOOK LOWER	
14	ORA-0564	MIRROR HOLD RUBBER 50	
15	ORA-0565	MIRROR HOLD RUBBER 30	
16	421-12106-03	STICKER BULB 40W110V UL	
101	390-6732-40M	HALOGEN LAMP JDR110V40WLM/K	
102	214-0221-02	HLGN SOCKET E11 W/CONN VL	
103	601-11777-36	GROMMET TAKIGEN C-30-SG-36A-UL	
104	280-5277	CORD CLAMP 18	
201	000-T00412-0B	M SCR TH BLK M4x12	
202	000-P00412-WB	M SCR PH W/FS BLK M4x12	
203	000-P00306-S	M SCR PH W/S M3x6	
/	ORA-0566	MIRROR REAR PLATE FOR UL	
/	011-T03512	TAP SCR TH 3.5x12	

12 ASSY RANKING BOARD (ORA-0700)

(D-1/3)

2 CONTROL TOWER, BILLBOARD, STEP



12 ASSY RANKING BOARD (ORA-0700)**(D-2/3)**

ITEM NO.	PART NO.	DESCRIPTION	NOTE
1	ORA-0750	ASSY BILLBOARD ELEC	
2	ORA-0701X	WOODEN BASE RANKING	
3	ORA-0702X	BASE FRAME LOWER	
4	ORA-0703	BASE FRAME UPPER	
5	ORA-0704X	BASE FRAME HOLDER	
6	ORA-0705	RANKING BOARD BOX	
7	ORA-0706	RANKING BACK COVER	
8	ORA-0707	RANKING FRONT COVER	
9	ORA-0708	RANKING BOARD PLATE	
10	ORA-0709	RANKING PLATE HOLDER UPPER	
11	ORA-0710	RANKING PLATE HOLDER SIDE	
12	ORA-0712X	ELEC DUCT	
13	ORA-0714	CENTER VACUUM BASE WOOD L	
14	ORA-0715	CENTER VACUUM WOOD HOLDER	
15	ORA-0716	CENTER VACUUM SIDE WOOD L	
16	ORA-0717X	CENTER VACUUM L	
17	ORA-0718	CENTER VACUUM HOLDER U	
18	ORA-0719	CENTER VACUUM HOLDER RU	
19	ORA-0720	CENTER VACUUM HOLDER FL	
20	ORA-0721	CENTER VACUUM HOLDER RL	
21	ORA-0722	UPPER JOINT BRKT	
23	ORA-0724	RANKING PLATE RUBBER UPPER	
24	ORA-0725	RANKING PLATE RUBBER SIDE	
25	ORA-0726	FRONT HOOK	
26	ORA-0408	COMMON DUCT	
27	ORA-0409	COMMON DUCT COVER	
29	ORA-0411	RANKING TV DUCT	
30	ORA-0412	RANKING TV DUCT COVER	
101	839-1160R91	TERMINAL BD	
102	390-6830	LED UNIT WHITE	
103	839-1268-01	RGB LED 9 BD UL	
104	390-6801-01	LED UNIT RED UL	
105	280-5277	CORD CLAMP 18	
201	000-P00520-W	M SCR PH W/FS M5x20	
202	000-P00412-WB	M SCR PH W/FS BLK M4x12	
203	000-P00420-W	M SCR PH W/FS M4x20	
204	000-T00412-0B	M SCR TH BLK M4x12	
205	050-F00300	FLG NUT M3	
206	000-P00535-W	M SCR PH W/FS M5x35	
207	011-P00310	TAP SCR PH 3x10	
208	000-P00318-W	M SCR PH W/FS M3x18	
209	000-P00408-WB	M SCR PH W/FS BLK M4x8	
210	000-P00408	M SCR PH M4x8	
211	060-S00400	SPR WSHR M4	
212	060-F00400	FLT WSHR M4	

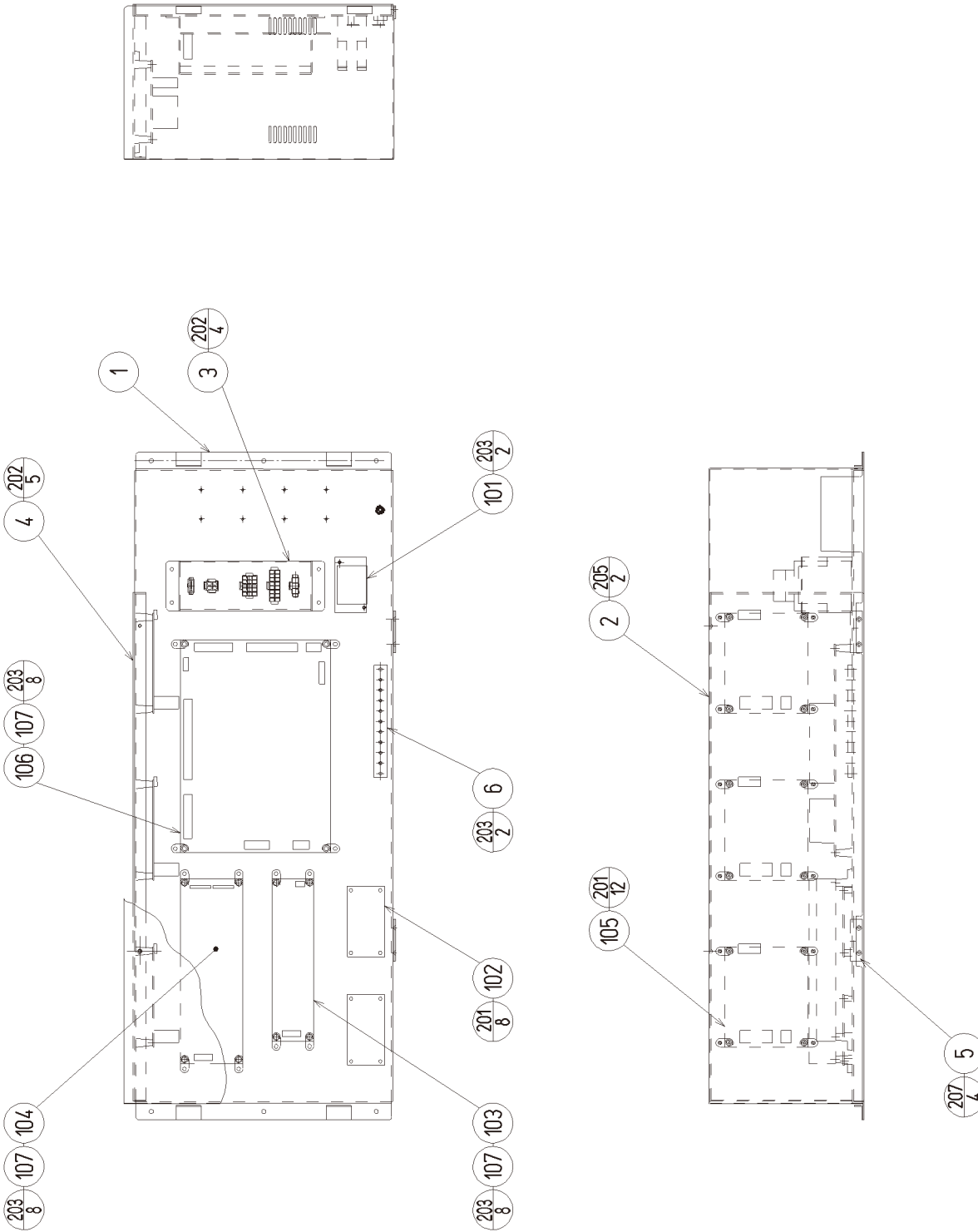
12 ASSY RANKING BOARD (ORA-0700)

(D-3/3)

ITEM NO.	PART NO.	DESCRIPTION	NOTE
301	ORA-60061	WH BB U6CN6 TO LCN	
302	ORA-60062	WH BB LCN1 TO LD11	
303	ORA-60063	WH BB LCN2 TO LD21	
304	ORA-60064	WH BB LCN3 TO LD31	
305	ORA-60065	WH BB LCN4 TO LD41	
306	ORA-60066	WH BB BCN4 TO TU2CN4	
307	ORA-60067	WH BB TUCN4 TO TUCN3	
308	ORA-60068	WH BB TUCN3	
309	ORA-60087	WH BB JCN22 TO BCN5	
310	ORA-65512	WH BB JCN21 TO BCN1 UL	
311	ORA-60090	WH BB BCN2 TO JCN25	
312	ORA-60091	WH BB BCN3 TO JCN35	
313	ORA-60095	WH BB JCN23 TO JCN33	
314	ORA-60101X	WH BB JCN24 TO JCN34	
315	600-7328-0120	WH EARTH RAV2-4 0120MM	

13 ASSY BILLBOARD ELEC (ORA-0750)

(D-1/2)

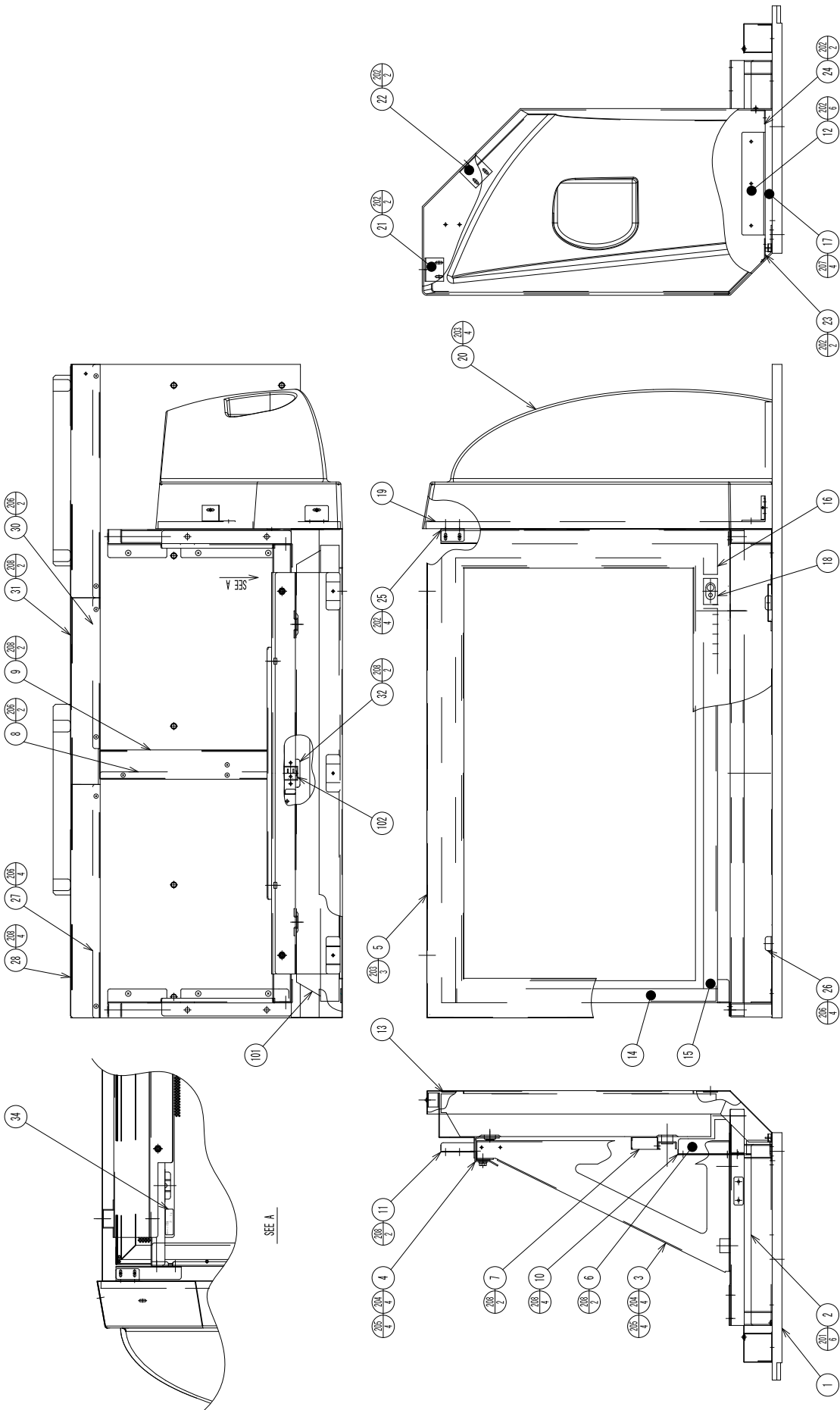


13 ASSY BILLBOARD ELEC (ORA-0750)

(D-2/2)

2 CONTROL TOWER, BILLBOARD, STEP

ITEM NO.	PART NO.	DESCRIPTION	NOTE
1	ORA-0751X	BILLBOARD ELEC BASE	
2	ORA-0752	BILLBOARD ELEC COVER	
3	ORA-0753	CONNECTOR PANEL	
4	ORA-0754	SSR BRKT	
5	ORA-0755X	HOOK PLATE	
6	ORA-0756	EARTH PLATE	
101	512-5083-01	CIRCUIT PROTECTOR CP32TM/20	OR
	512-5086-01	CIRCUIT PROTECTOR CP32FM/20	
102	838-14551	DISTRIBUTION BD	
103	400-5421-05005Y	SW REGU LCA50S-5-Y	
104	400-5421-15012Y	SW REGU LCA150S-12-Y	
105	838-14511-60	LAMP SSR BD NZC06EA	
106	838-14618-02	CONTROL BD ORA BILLBOARD	
107	280-6681	L-LOCK LT-320PCG	
108	280-5277	CORD CLAMP 18	
201	000-P00320-W	M SCR PH W/FS M3x20	
202	000-P00308-W	M SCR PH W/FS M3x8	
203	000-P00312-W	M SCR PH W/FS M3x12	
205	000-P00408-W	M SCR PH W/FS M4x8	
207	000-F00308	M SCR FH M3x8	
301	ORA-60041	WH BB BCN1 TO NFB1	
302	ORA-60042X	WH BB PW1 TO U6	
303	ORA-60043	WH BB U1CN1 TO NFB1	
304	ORA-60044X	WH BB U1CN3 TO PW1	
305	ORA-60045	WH BB U2CN1 TO NFB1	
306	ORA-60046Y	WH BB U2CN3 TO SSR	
307	ORA-60047X	WH BB SSR TO BCN	
308	ORA-60048	WH BB U6CN1 TO SSR	
309	ORA-60049X	WH BB U6CN10 TO BCN5	
/	105-5581	SW REGU BRKT	
/	270-5117	FERRITE CORE TDK ZCAT3035-1330	



14 ASSY LCD (ORA-0850)

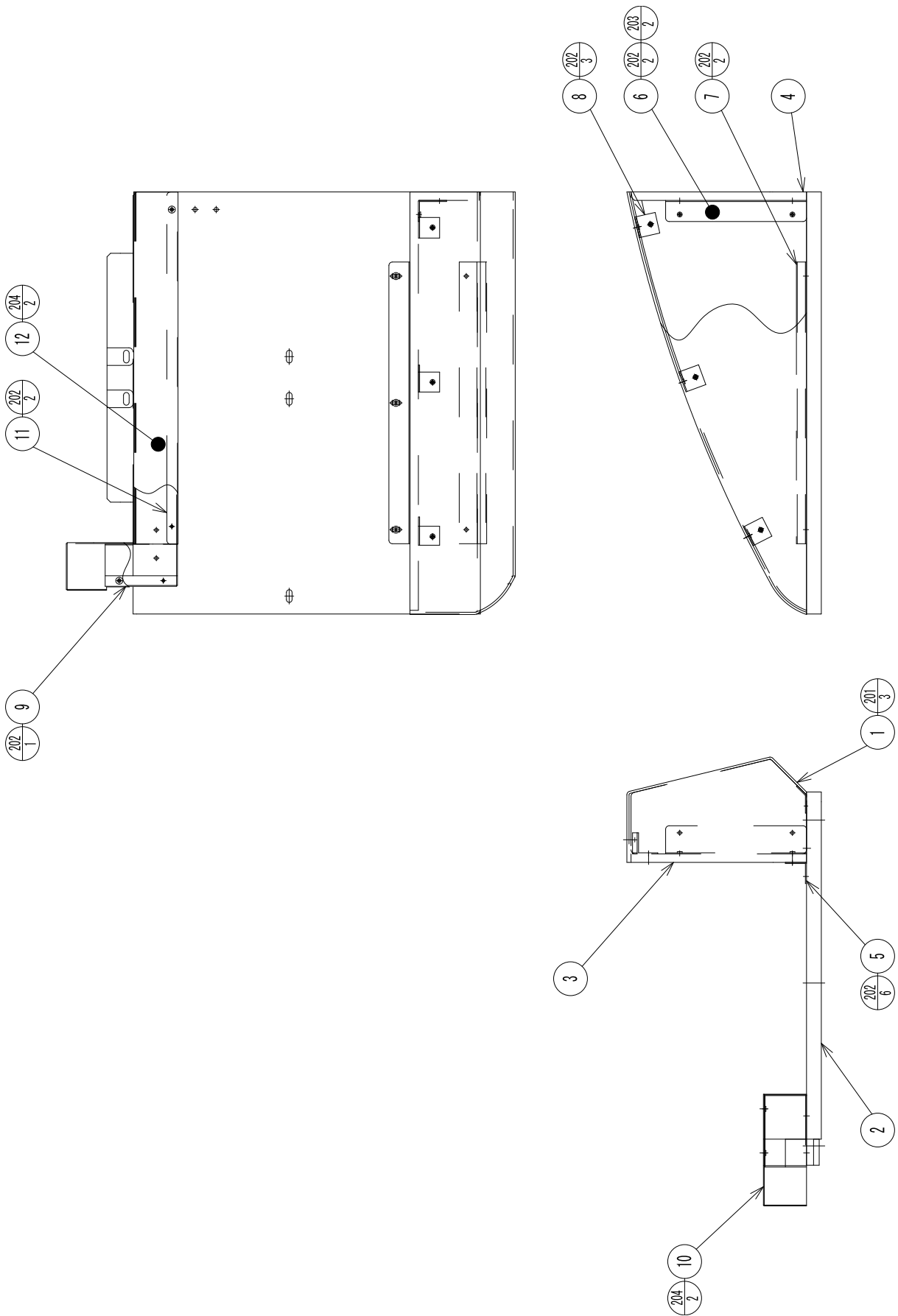
(D-2/2)

2 CONTROL TOWER, BILLBOARD, STEP

ITEM NO.	PART NO.	DESCRIPTION	NOTE
1	ORA-0801X	WOODEN BASE PLASMA	
2	ORA-0702X	BASE FRAME LOWER	
3	ORA-0851	LCD FRAME	
4	ORA-0852	LCD HOLDER	
5	ORA-0853	LCD FRONT COVER	
6	ORA-0854	LCD WIRE COVER BASE	
7	ORA-0855	LCD WIRE COVER UPPER	
8	ORA-0805X	PLASMA DUCT	
9	ORA-0806	PLASMA DUCT COVER	
10	ORA-0856	LCD WIRE COVER LOWER	
11	ORA-0857	UPPER JOINT BRKT LCD	
12	ORA-0715	CENTER VACUUM WOOD HOLDER	
13	ORA-0858	LCD CUSHION UPPER	
14	ORA-0859	LCD CUSHION SIDE	
15	ORA-0860	LCD CUSHION LOWER LONG	
16	ORA-0861	LCD CUSHION LOWER SHORT	
17	ORA-0814	CENTER VACUUM BASE WOOD R	
18	ORA-0815X	SENSOR WINDOW PLATE	
19	ORA-0816	CENTER VACUUM SIDE WOOD R	
20	ORA-0817X	CENTER VACUUM R	
21	ORA-0718	CENTER VACUUM HOLDER U	
22	ORA-0719	CENTER VACUUM HOLDER RU	
23	ORA-0720	CENTER VACUUM HOLDER FL	
24	ORA-0721	CENTER VACUUM HOLDER RL	
25	ORA-0722	UPPER JOINT BRKT	
26	ORA-0726	FRONT HOOK	
27	ORA-0408	COMMON DUCT	
28	ORA-0409	COMMON DUCT COVER	
30	ORA-0411	RANKING TV DUCT	
31	ORA-0412	RANKING TV DUCT COVER	
32	ORA-0818	OUTLET PLATE	
101	200-6042	ASSY LCD DSPL 40TYPE	
102	601-6851	AC OUTLET W/EARTH	
103	280-5277	CORD CLAMP 18	
104	310-5029-G20	SUMITUBE F G 20MM	
105	270-5115	NOISE FILTER 15A GT-215J	
201	000-P00520-W	M SCR PH W/FS M5x20	
202	000-P00412-WB	M SCR PH W/FS BLK M4x12	
203	000-T00412-0B	M SCR TH BLK M4x12	
204	030-000816-SB	HEX BLT W/S BLK M8x16	
205	060-F00800-0B	FLT WSHR BLK M8	
206	000-P00420-WB	M SCR PH W/FS BLK M4x20	
207	000-P00535-W	M SCR PH W/FS M5x35	
208	000-P00408-WB	M SCR PH W/FS BLK M4x8	
209	050-F00400	FLG NUT M4	
210	000-P00408	M SCR PH M4x8	
211	060-S00400	SPR WSHR M4	
212	060-F00400	FLT WSHR M4	
301	ORA-65513	WH BB JCN31 TO CSY1 UL	
302	ORA-60092	WH BB JCN35 TO JCN45	
303	ORA-60096	WH BB JCN33 TO JCN43	
304	ORA-60102X	WH BB JCN34 TO DPS1G	
305	ORA-65514	WH BB JCN31 TO CSY1-2 UL	
306	ORA-63015X	WH BILLBOARD EARTH LCD3	
307	600-7914-2400	WH EARTH UL1015 AWG10 2400 MM	
308	600-7328-0120	WH EARTH RAV2-4 0120 MM	

15 ASSY BILLBOARD SIDE COVER L (ORA-0900)

(D-1/2)



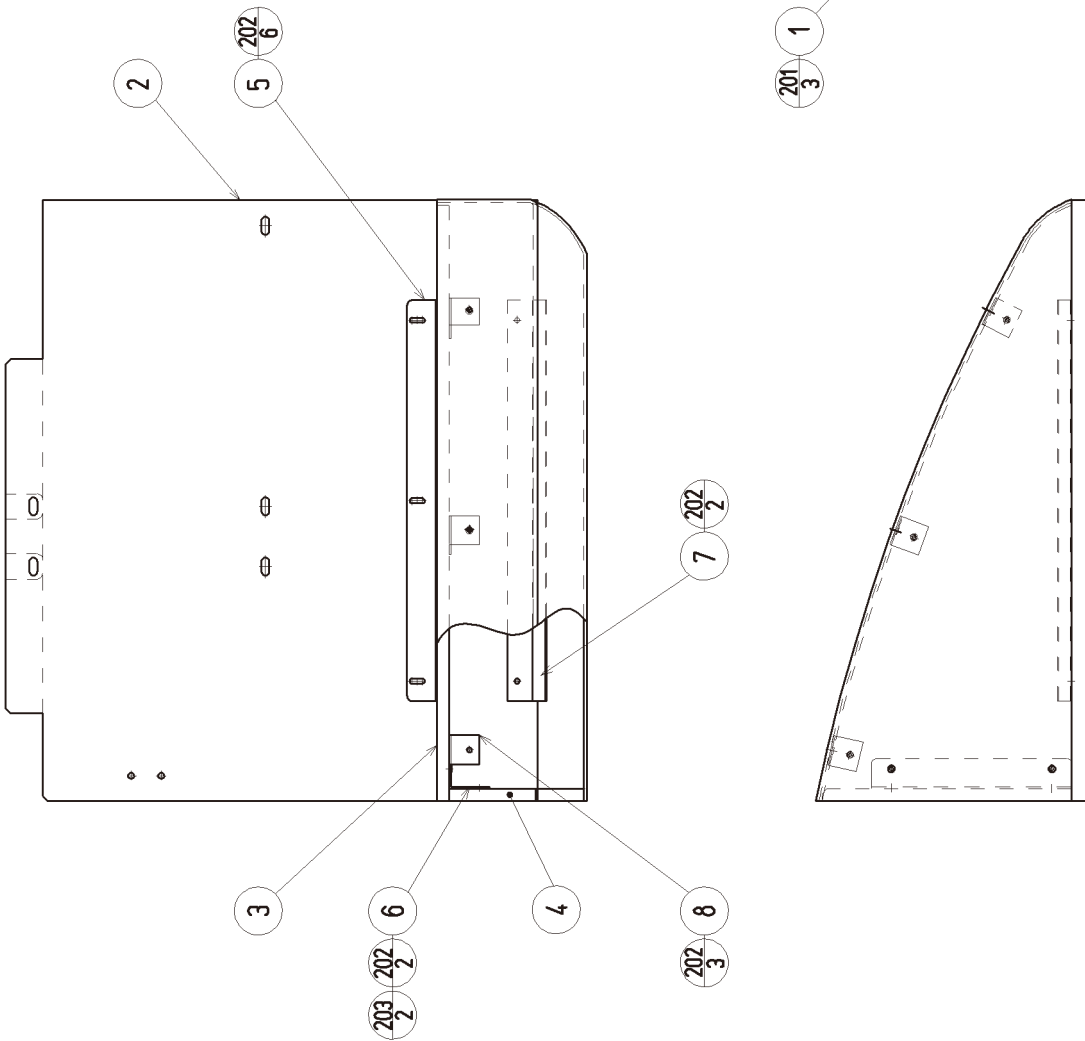
2 CONTROL TOWER, BILLBOARD, STEP

15 ASSY BILLBOARD SIDE COVER L (ORA-0900)

(D-2/2)

2 CONTROL TOWER, BILLBOARD, STEP

ITEM NO.	PART NO.	DESCRIPTION	NOTE
1	ORA-0901	BILLBOARD SIDE VACUUM L	
2	ORA-0902X	SIDE VACUUM BASE L	
3	ORA-0903X	VACUUM HOLDER WOOD L	
4	ORA-0904	VACUUM SIDE WOOD L	
5	ORA-0905	WOOD HOLDER	
6	ORA-0906	WOOD HOLDER SIDE	
7	ORA-0907	SIDE VACUUM FRONT STOPPER	
8	ORA-0908	SIDE VACUUM HOLDER	
9	ORA-0406	END DUCT	
10	ORA-0407X	END DUCT COVER	
11	ORA-0408	COMMON DUCT	
12	ORA-0409	COMMON DUCT COVER	
101	280-5277	CORD CLAMP 18	
201	000-T00412-0B	M SCR TH BLK M4x12	
202	000-P00420-W	M SCR PH W/FS M4x20	
203	000-P00416-W	M SCR PH W/FS M4x16	
204	000-P00408-WB	M SCR PH W/FS BLK M4x8	
301	600-7328-0120	WH EARTH RAV2-4 0120 MM	



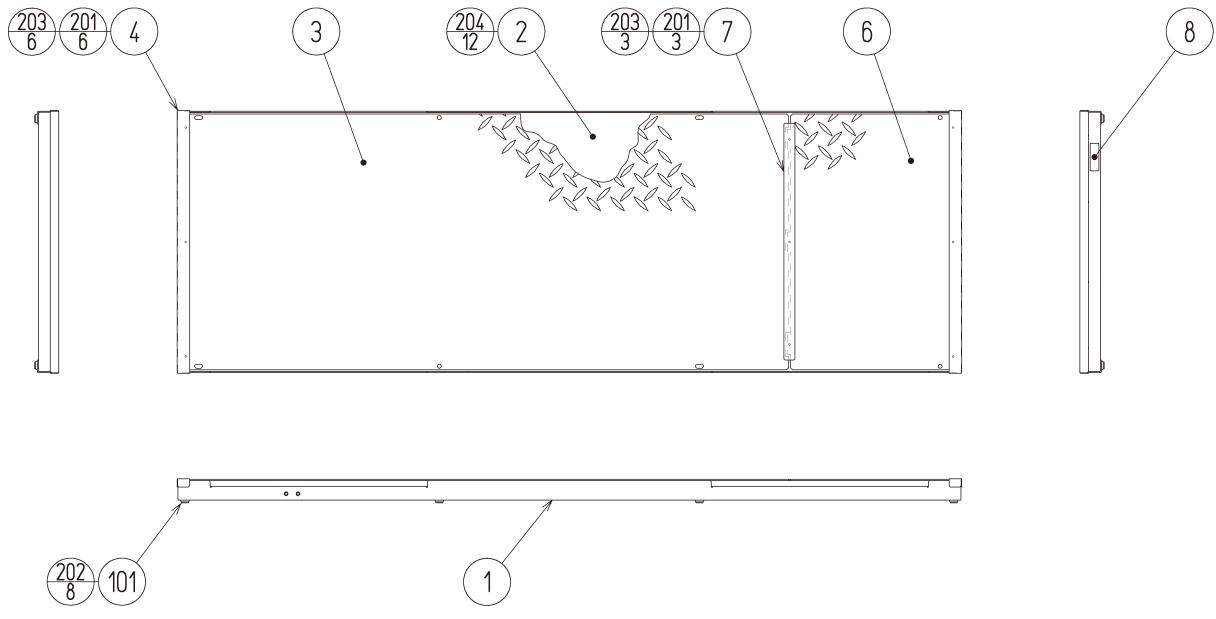
16 ASSY BILLBOARD SIDE COVER R (ORA-0950)

(D-2/2)

2 CONTROL TOWER, BILLBOARD, STEP

ITEM NO.	PART NO.	DESCRIPTION	NOTE
1	ORA-0951	BILLBOARD SIDE VACUUM R	
2	ORA-0952X	SIDE VACUUM BASE R	
3	ORA-0953X	VACUUM HOLDER WOOD R	
4	ORA-0954	VACUUM SIDE WOOD R	
5	ORA-0905	WOOD HOLDER	
6	ORA-0906	WOOD HOLDER SIDE	
7	ORA-0907	SIDE VACUUM FRONT STOPPER	
8	ORA-0908	SIDE VACUUM HOLDER	
201	000-T00412-0B	M SCR TH BLK M4x12	
202	000-P00420-W	M SCR PH W/FS M4x20	
203	000-P00416-W	M SCR PH W/FS M4x16	

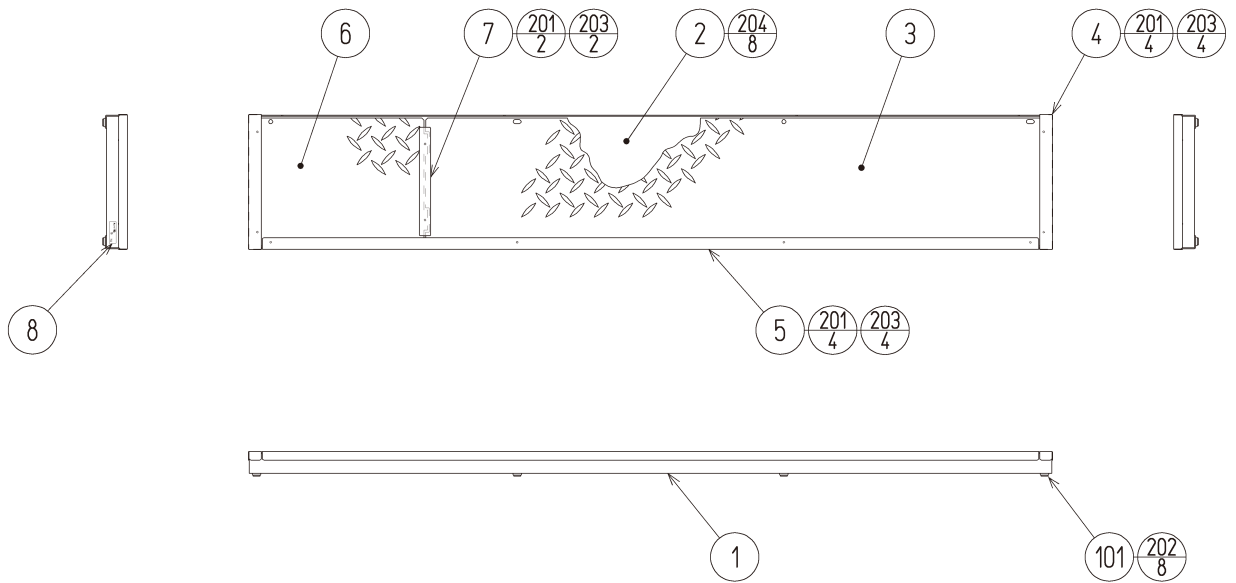
17 ASSY STEP CENTER (ORA-5100)



2 CONTROL TOWER, BILLBOARD, STEP

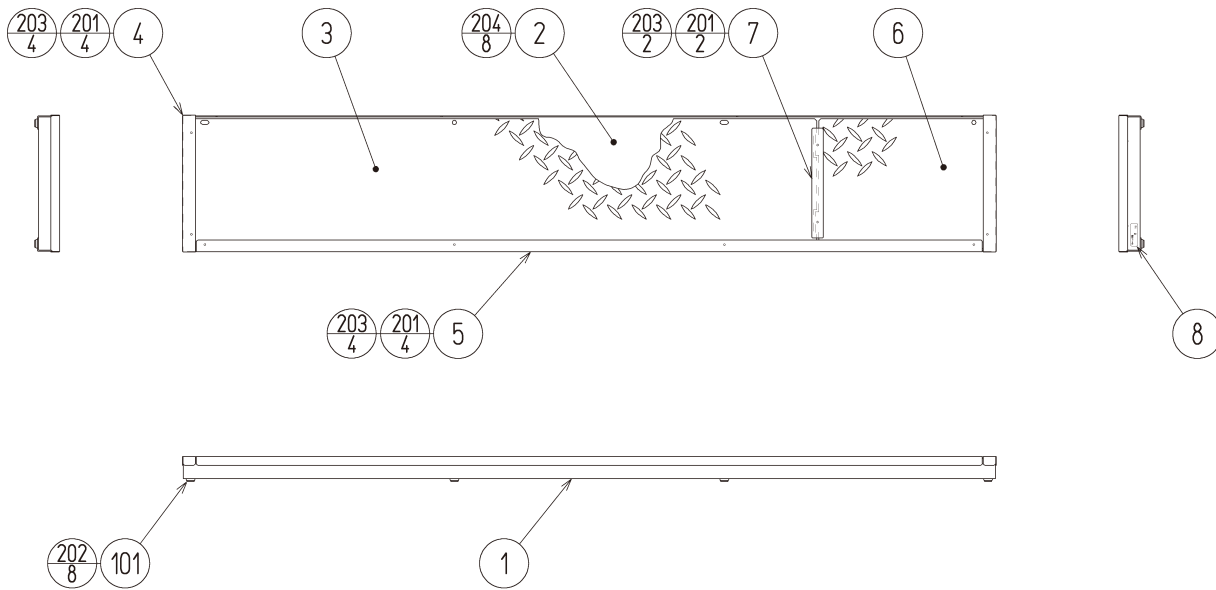
ITEM NO.	PART NO.	DESCRIPTION	NOTE
1	ORA-5101	STEP BASE CENTER	
2	ORA-5102	WOOD STEP CENTER	
3	ORA-5103	STEP SHEET CENTER	
4	ORA-5104	END SASH CENTER	
6	ORA-5106	STEP SHEET SILVER CENTER	
7	ORA-5107	SHEET HOLDER CENTER	
101	601-11773-02	CUSHION FOOT TM-201-2	
201	050-F00500	FLG NUT M5	
202	000-P00412-S	M SCR PH W/S M4x12	
203	068-552016	FLT WSHR 5.5-20x1.6	
204	011-T03516	TAP SCR TH 3.5x16	

18 ASSY STEP SIDE L (ORA-5200)



ITEM NO.	PART NO.	DESCRIPTION	NOTE
1	ORA-5201X	STEP BASE SIDE L	
2	ORA-5202	WOOD STEP SIDE L	
3	ORA-5203	STEP SHEET SIDE L	
4	ORA-5204	END SASH SIDE	
5	ORA-5105	SIDE SASH	
6	ORA-5206	STEP SHEET SILVER SIDE	
7	ORA-5207	SHEET HOLDER SIDE	
101	601-11773-02	CUSHION FOOT TM-201-2	
201	050-F00500	FLG NUT M5	
202	000-P00412-S	M SCR PH W/S M4x12	
203	068-552016	FLT WSHR 5.5-20x1.6	
204	011-T03516	TAP SCR TH 3.5x16	

19 ASSY STEP SIDE R (ORA-5300)



ITEM NO.	PART NO.	DESCRIPTION	NOTE
1	ORA-5301X	STEP BASE SIDE R	
2	ORA-5302	WOOD STEP SIDE R	
3	ORA-5303	STEP SHEET SIDE R	
4	ORA-5204	END SASH SIDE	
5	ORA-5105	SIDE SASH	
6	ORA-5206	STEP SHEET SILVER SIDE	
7	ORA-5207	SHEET HOLDER SIDE	
101	601-11773-02	CUSHION FOOT TM-201-2	
201	050-F00500	FLG NUT M5	
202	000-P00412-S	M SCR PH W/S M4x12	
203	068-552016	FLT WSHR 5.5-20x1.6	
204	011-T03516	TAP SCR TH 3.5x16	