

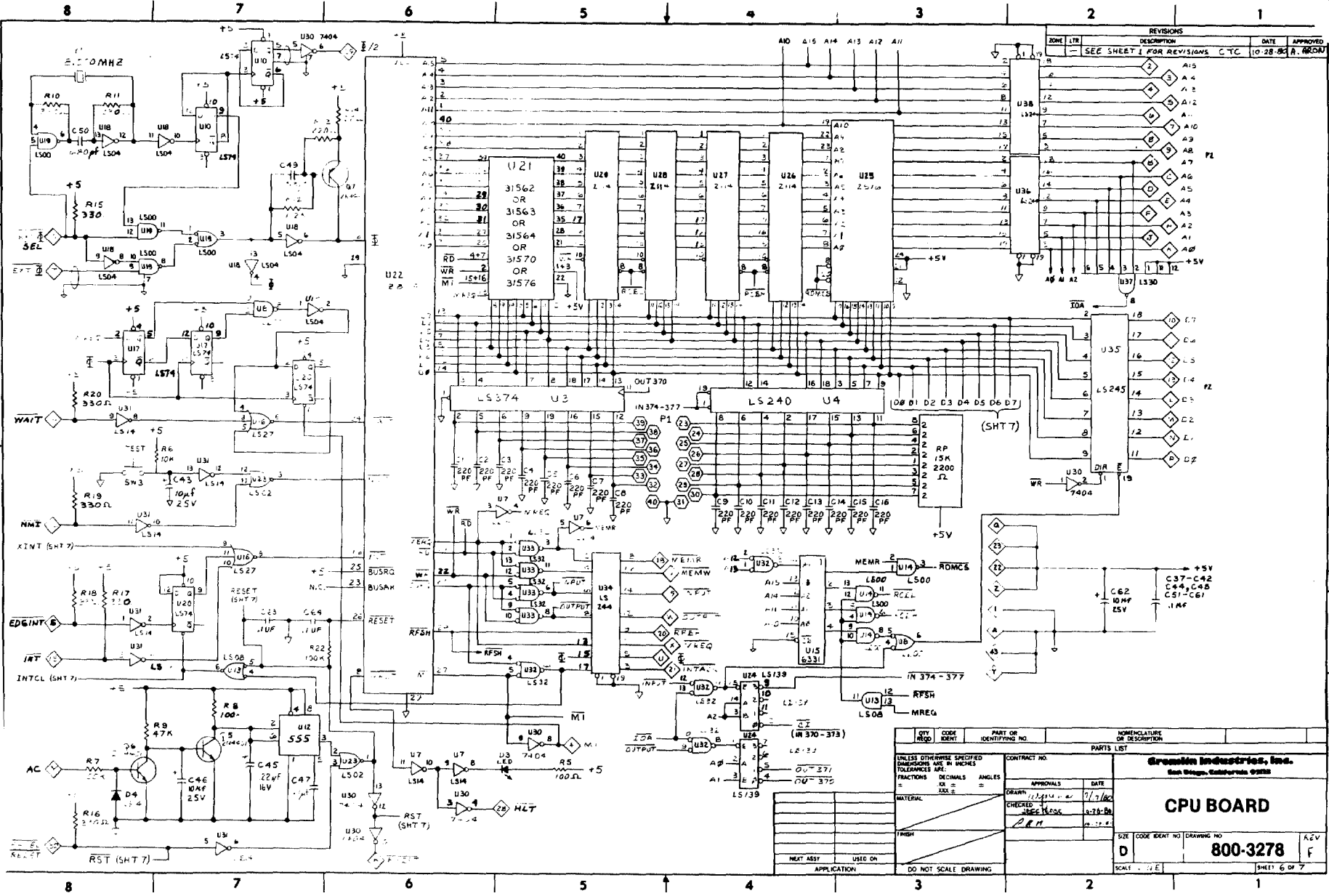
QTY	CODE	PART OR IDENTIFYING NO.	NOMENCLATURE OR DESCRIPTION	ITEM NO.
UNLESS OTHERWISE SPECIFIED DIMENSIONS ARE IN INCHES TOLERANCES ARE				
FRACTIONS	DECIMALS	ANGLES		
MATERIAL				
FINISH				
NEXT ASSY	USED ON			
APPLICATION				
DO NOT SCALE DRAWING				

CONTRACT NO.		DATE	
APPROVALS			
DRAWN		7 10 64	
CHECKED		5 10 64	
MEDIA			
ELEC			
MFG			
PROJECT			

SCALE	CODE IDENT NO.	DRAWING NO.	REV
D		700-0103	Δ

SCALE	SHEET	TOTAL SHEETS
NONL	8	8

700-0103A



REVISIONS

ZONE	LTR	DESCRIPTION	DATE	APPROVED
		SEE SHEET 1 FOR REVISIONS	10-28-64	R. REGAN

QTY REQD	CODE IDENT	PART OR IDENTIFYING NO	NOMENCLATURE OR DESCRIPTION	PARTS LIST

UNLESS OTHERWISE SPECIFIED DIMENSIONS ARE IN INCHES TOLERANCES ARE: FRACTIONS DECIMALS ANGLES

800-3278

CONTRACT NO. _____

DATE _____

DRAWN BY _____

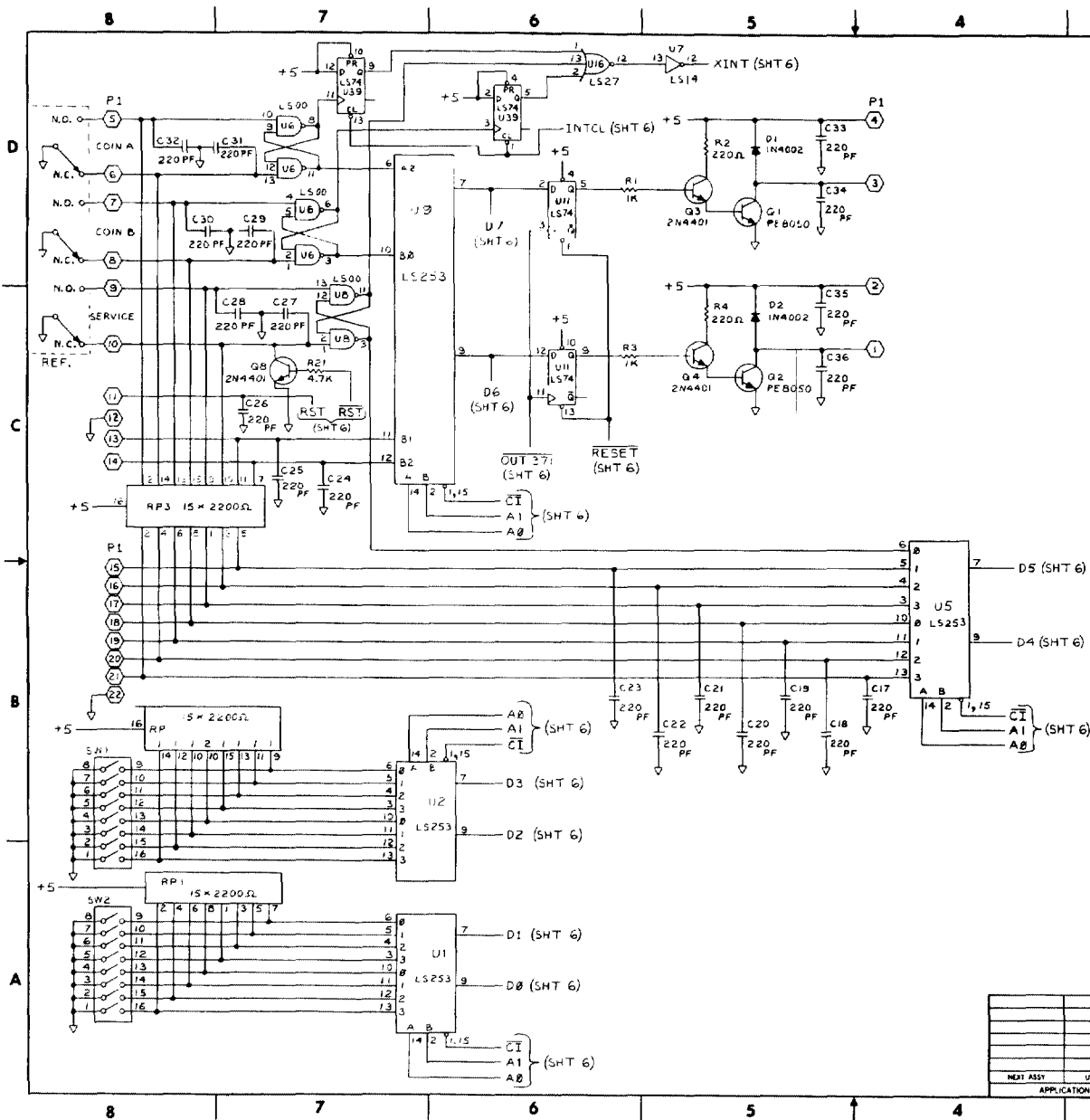
CHECKED BY _____

APPROVED BY _____

SCALE _____

SHEET 6 OF 7

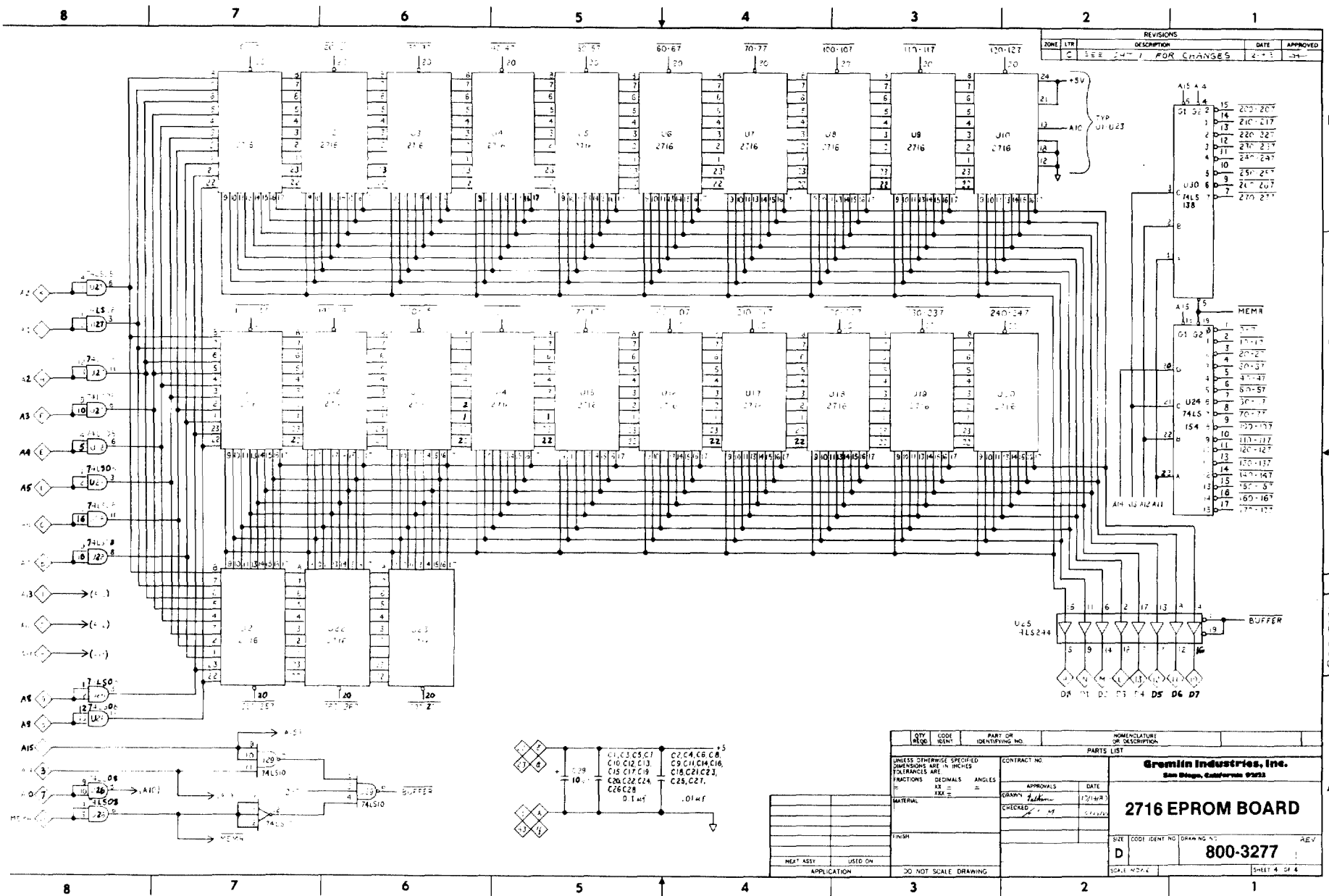
BOO-C107 F



REVISIONS				
ZONE	LTN	DESCRIPTION	DATE	APPROVED
A		RELEASED	CTC	10-28-80 R. ARON
B		ECN # 528	CTC	11-15-80 J. WITKOWSKI
C		ECN # 669	CTC	2-14-81 R.H.
D		ECN # 677A	CTC	2-25-81
E		PER ECN # 978	MGA	4-1-81 J. SHUKLA
SEE SHT 1 FOR REV				

QTY REQD	CODE IDENT	PART OR IDENTIFYING NO	NOMENCLATURE OR DESCRIPTION
PARTS LIST			
UNLESS OTHERWISE SPECIFIED DIMENSIONS ARE IN INCHES TOLERANCES ARE:			
FRACTIONS	DECIMALS	ANGLES	
=	XX ±	°	
MATERIAL		CONTRACT NO.	
FINISH		APPROVALS	
NEXT ASSY		DATE	
USED ON		DRAWN BY: S. SATTELL 10-23-80	
APPLICATION		CHECKED BY: J. WITKOWSKI 10-24-80	
DO NOT SCALE DRAWING		APP'D BY: JRM 11-1-80	
SIZE CODE IDENT NO DRAWING NO			REV
D 800-3278			F
SCALE: NONE			SHEET 7 OF 7

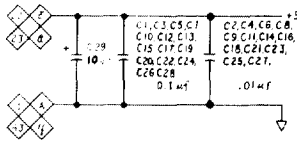
800-0107



REVISIONS			
ZONE	LTW	DESCRIPTION	DATE
2		SEE SHEET 1 FOR CHANGES	2-7-77

A15 A4			
01	02	15	220-207
1	16	210-217	
2	17	220-227	
3	18	230-237	
4	19	240-247	
5	9	250-257	
6	6	260-267	
7	7	270-277	

A15 5 MEMR			
01	02	1	170-177
1	2	200-207	
2	3	210-217	
3	4	220-227	
4	5	230-237	
5	6	240-247	
6	7	250-257	
7	8	260-267	
8	9	270-277	
9	10	280-287	
10	11	290-297	
11	12	300-307	
12	13	310-317	
13	14	320-327	
14	15	330-337	
15	16	340-347	
16	17	350-357	
17	18	360-367	
18	19	370-377	



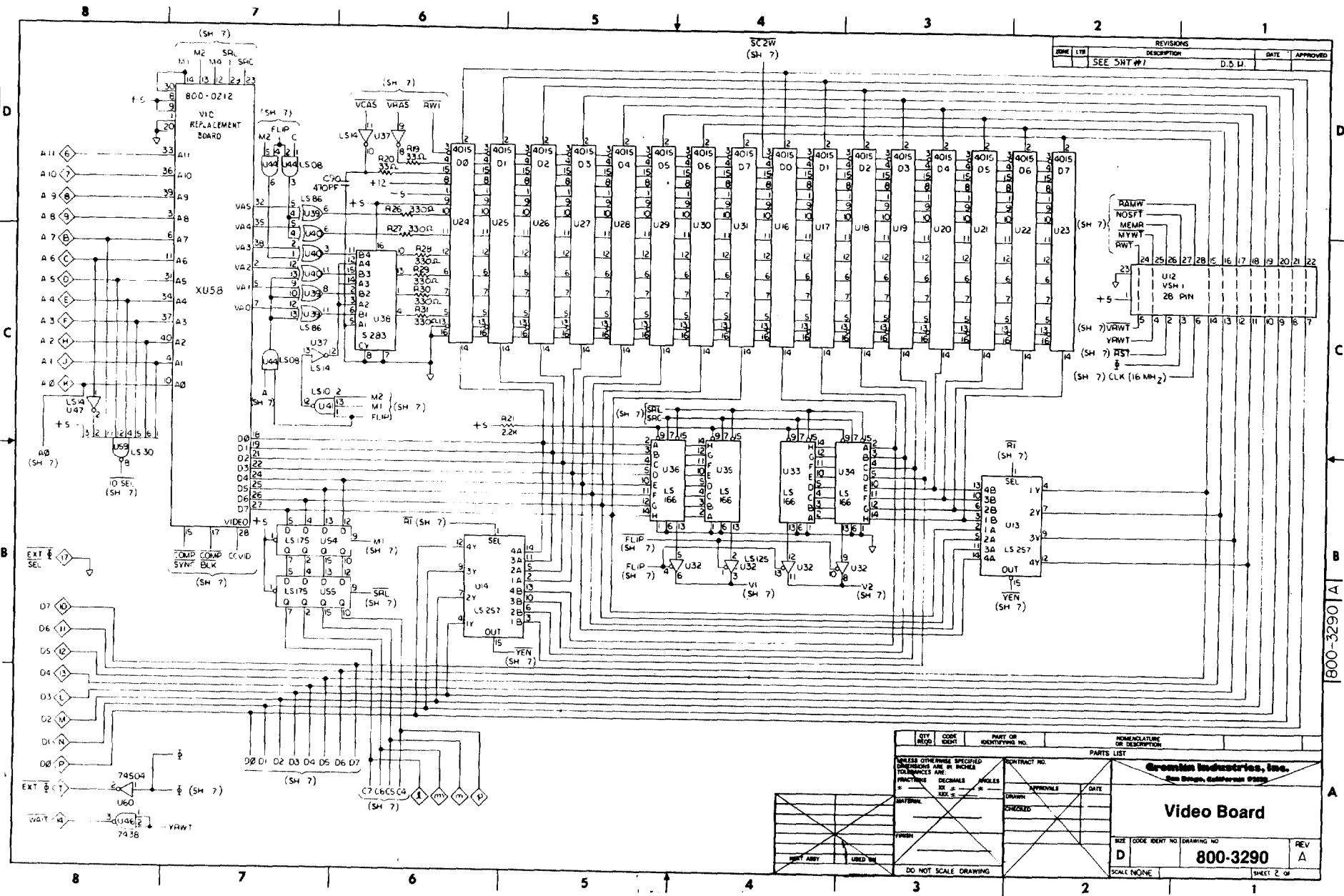
QTY	CODE	PARTY OR IDENTIFYING NO.	HOMOLOGATION OR DESCRIPTION
REQ	IDENT		

PARTS LIST	
UNLESS OTHERWISE SPECIFIED DIMENSIONS ARE IN INCHES FRACTIONS ARE ANGLES	
APPROVALS	DATE
DRAWN BY <i>[Signature]</i>	12/1/77
CHECKED BY <i>[Signature]</i>	5/11/77

MATERIAL		CONTRACT NO.	
FINISH		PARTS LIST	
NEXT ASSY		USED ON	
APPLICATION		DO NOT SCALE DRAWING	

Gremlin Industries, Inc.	
San Diego, California 92123	
2716 EPROM BOARD	
SIZE	CODE IDENT NO. DRAWING NO.
D	800-3277
SCALE	SHEET 4 OF 4

800-0151



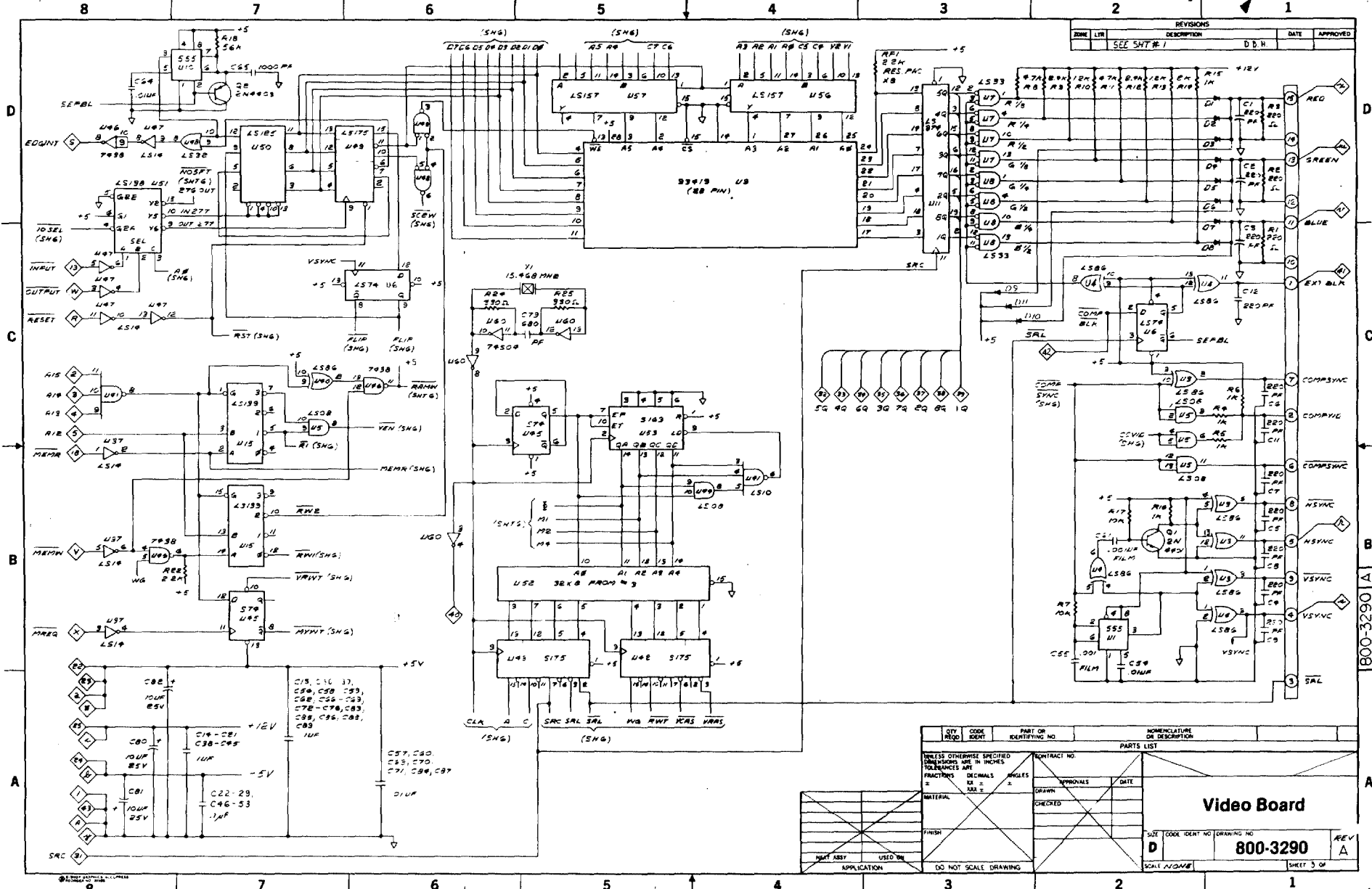
REV	DATE	DESCRIPTION	APPROVED
1	D.S.H.	SEE SNT #7	

800-3290 A

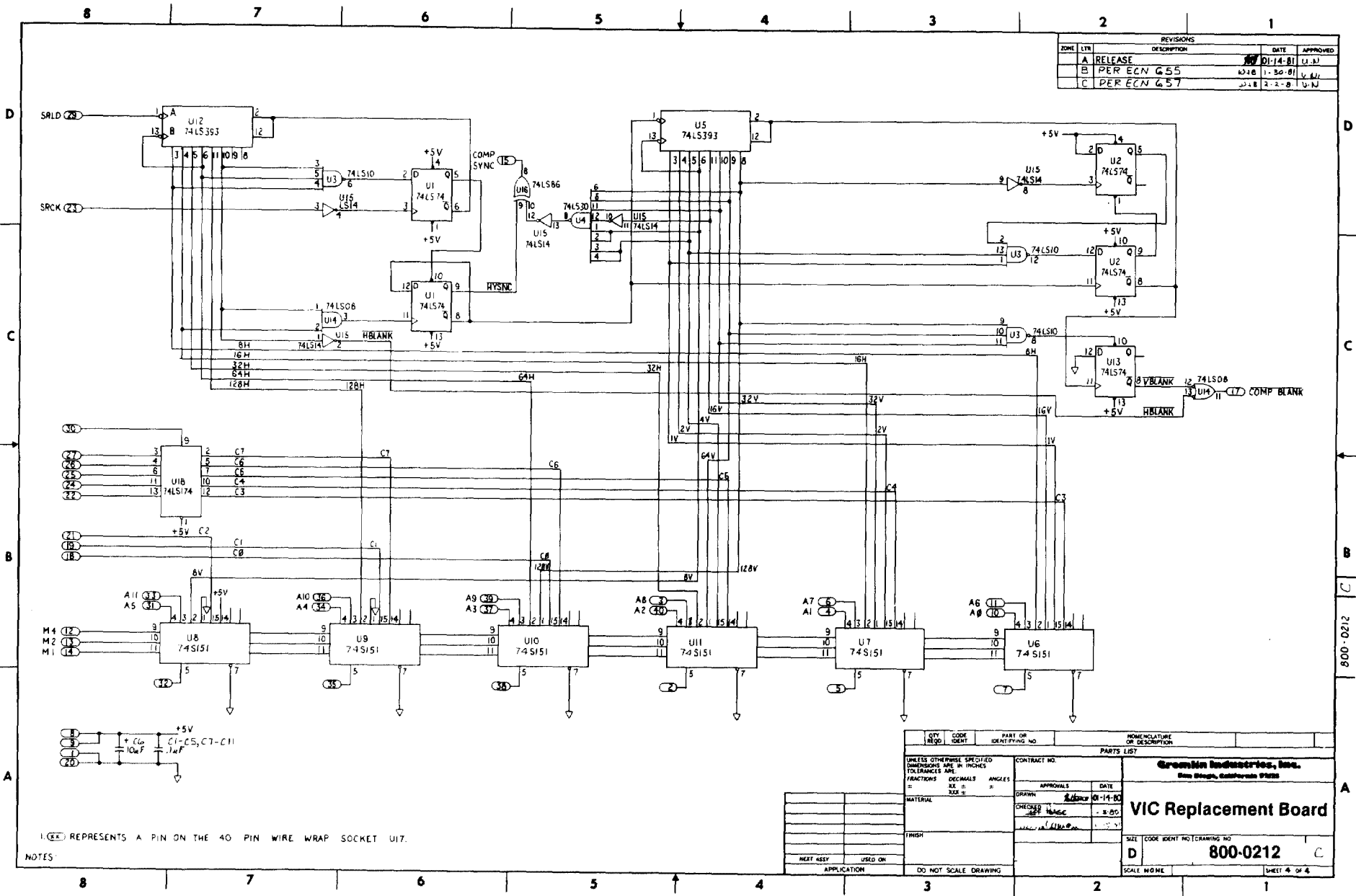
QTY	CODE	PARTY OR IDENTIFYING NO.	NOMENCLATURE OR DESCRIPTION

PARTS LIST		CONTRACT NO.	
UNLESS OTHERWISE SPECIFIED DIMENSIONS ARE IN INCHES TOLERANCES ARE:			
FRACTIONS	DECIMALS	ANGLES	APPROVALS
±	±	±	DATE
MATERIAL		DRAWN	
		CHECKED	
FINISH			
DRY T. ASSY	USED IN		

Greenleaf Industries, Inc. San Diego, California 92161		Video Board	
SCALE NONE	SHEET 2 OF		



REVISONS		DATE	APPROVED
A	RELEASE	01-14-81	U. J.
B	PER ECN 655	11-30-81	U. J.
C	PER ECN 657	2-2-82	U. J.



1. (XX) REPRESENTS A PIN ON THE 40 PIN WIRE WRAP SOCKET U17.

NOTES

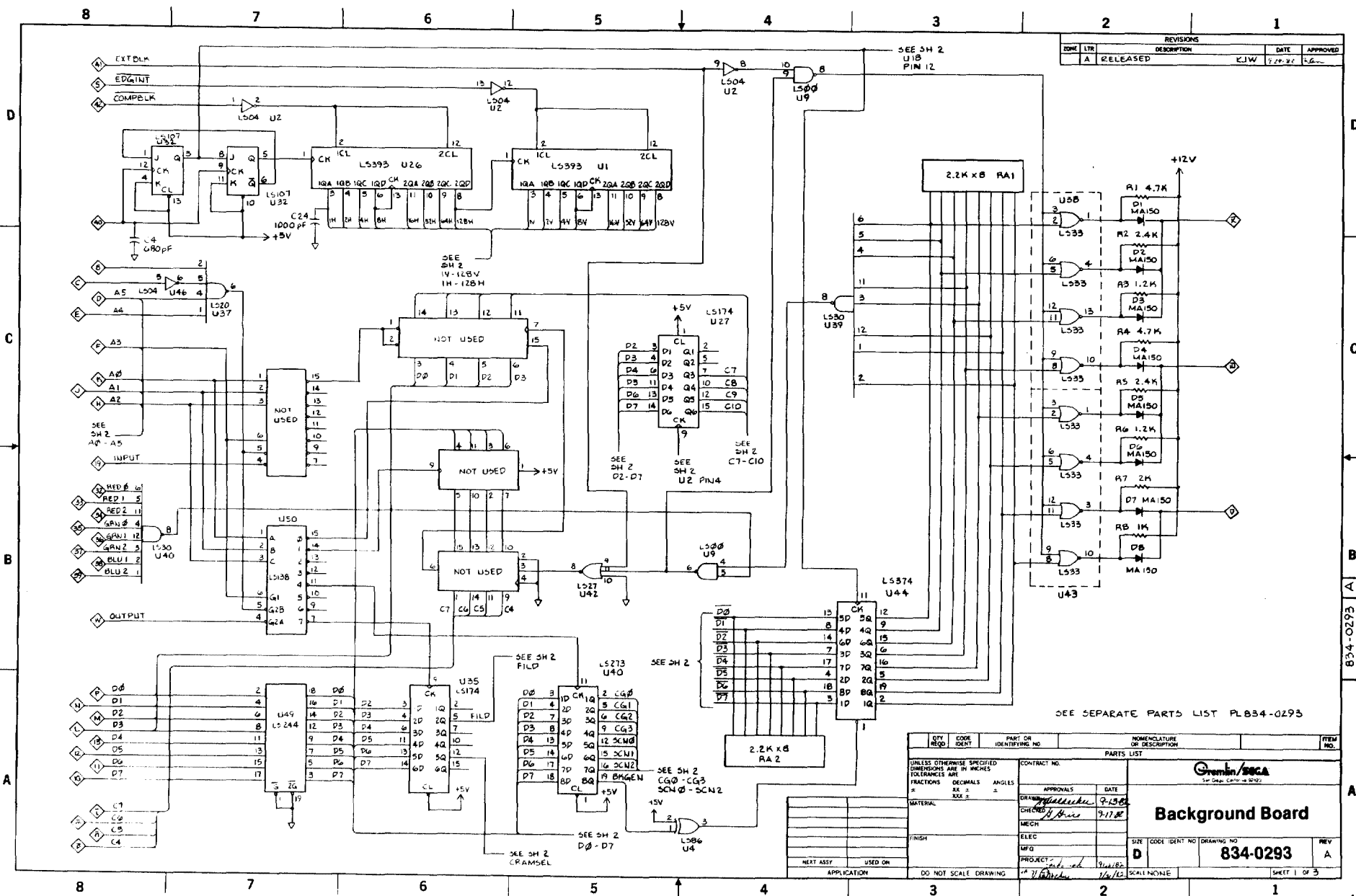
QTY	CODE	PART OR IDENTIFYING NO.	NOMENCLATURE OR DESCRIPTION
PARTS LIST			
UNLESS OTHERWISE SPECIFIED DIMENSIONS ARE IN INCHES TOLERANCES ARE: FRACTIONS DECIMALS ANGLES			
MATERIAL		APPROVALS	DATE
FINISH		DRAWN	01-14-80
NEXT ASSY		CHECKED	11-30-81
APPLICATION		DATE	01-14-80
DO NOT SCALE DRAWING		SCALE NONE	

Greenham Industries, Inc.
 San Diego, California 92121

VIC Replacement Board

SIZE CODE IDENT NO. DRAWING NO.
D 800-0212 C

SHEET 4 OF 4



REVISIONS				
ZONE	LTR	DESCRIPTION	DATE	APPROVED
A	RELEASED		EJW 7-20-82	[Signature]

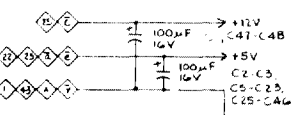
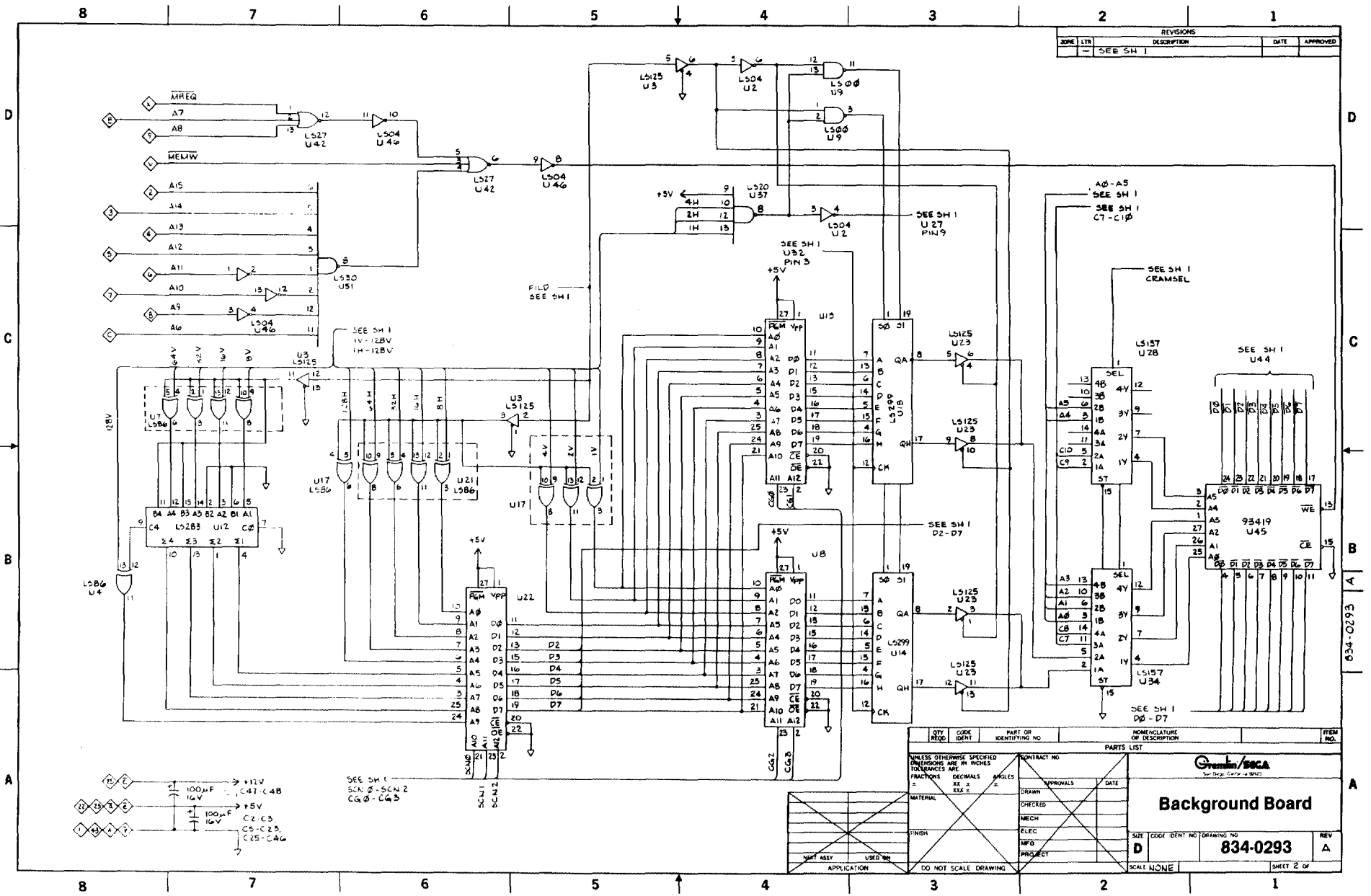
SEE SEPARATE PARTS LIST PL834-0293

QTY REQD	CODE IDENT	PART OR IDENTIFYING NO.	NOMENCLATURE OR DESCRIPTION	ITEM NO.
PARTS LIST				
UNLESS OTHERWISE SPECIFIED DIMENSIONS ARE IN INCHES TOLERANCES ARE FRACTIONS DECIMALS ANGLES				
MATERIAL:		CONTRACT NO.		
FINISH:		APPROVALS: [Signature] DATE: 7-15-82		
NEXT ASSY:		CHECKED: [Signature] DATE: 7-17-82		
USED ON:		ELEC:		
APPLICATION:		MFG:		
DO NOT SCALE DRAWING		PROJECT: [Signature] DATE: 7/15/82		
		PROJECT: [Signature] DATE: 7/15/82		
		SCALE: NONE		
		SHEET 1 OF 3		

Gremlin/SBCA
Background Board

834-0293 A

REVISIONS				
ZONE	LTN	DESCRIPTION	DATE	APPROVED
-	SEE SH 1			



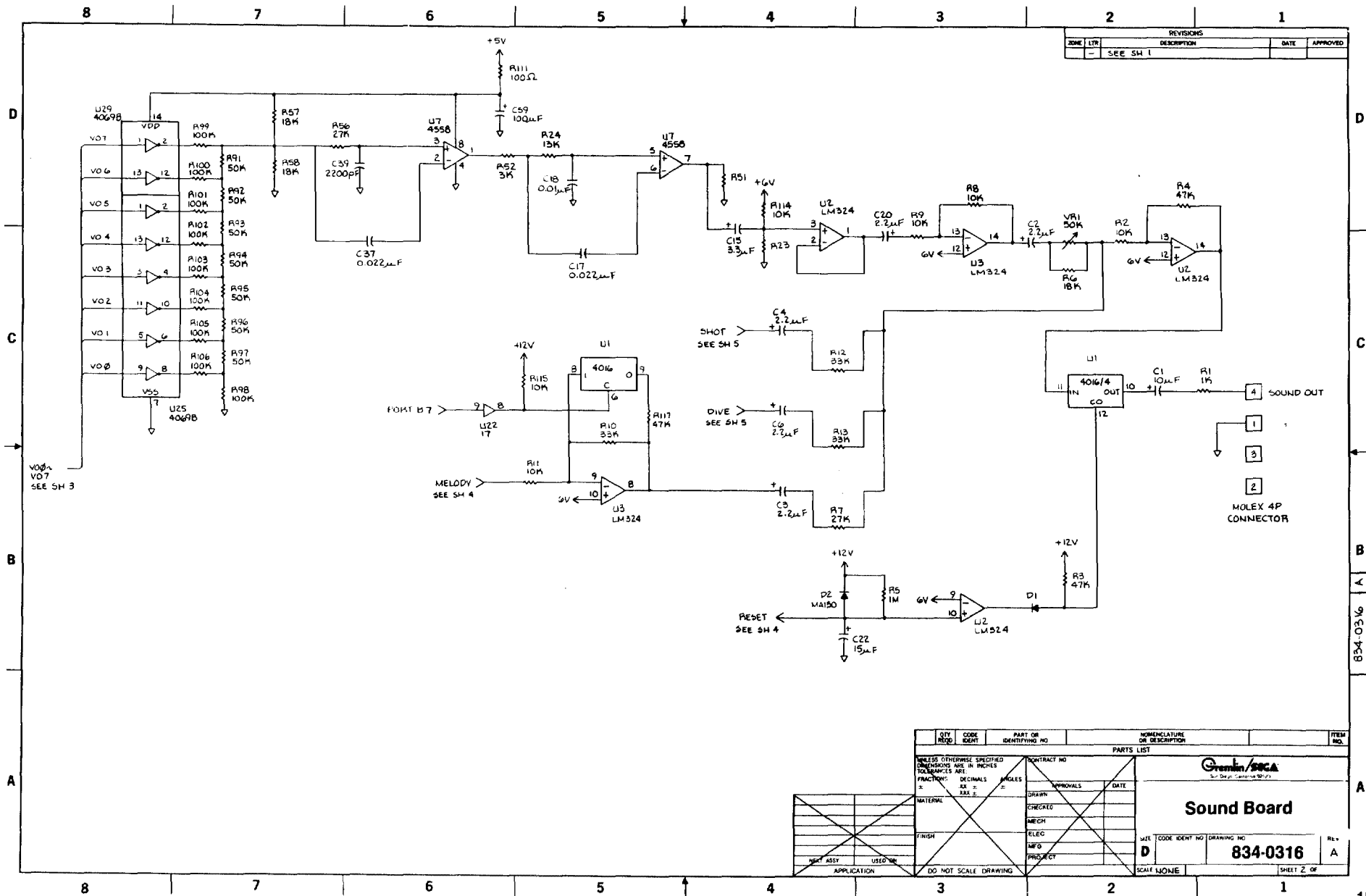
SEE SH 1
SCN 8 - SCN 2
CG 8 - CG 3

QTY REQD	CODE IDENT	PART OR IDENTIFYING NO	NOMENCLATURE OR DESCRIPTION	ITEM NO.

CONTRACT NO.		PARTS LIST	
DRAWN	APPROVALS	DATE	
CHECKED			
MELCH			
ELEG			
MFO			
PROJECT			

UNLESS OTHERWISE SPECIFIED DIMENSIONS ARE IN INCHES TOLERANCES ARE FRACTIONS DECIMALS ANGLES		Graham/BSGA San Diego, California 92161	
MATERIAL		Background Board	
FINISH	SIZE CODE IDENT NO DRAWING NO	REV	
	D	834-0293	Δ
SCALE NONE	SHEET 2 OF		

634-0293

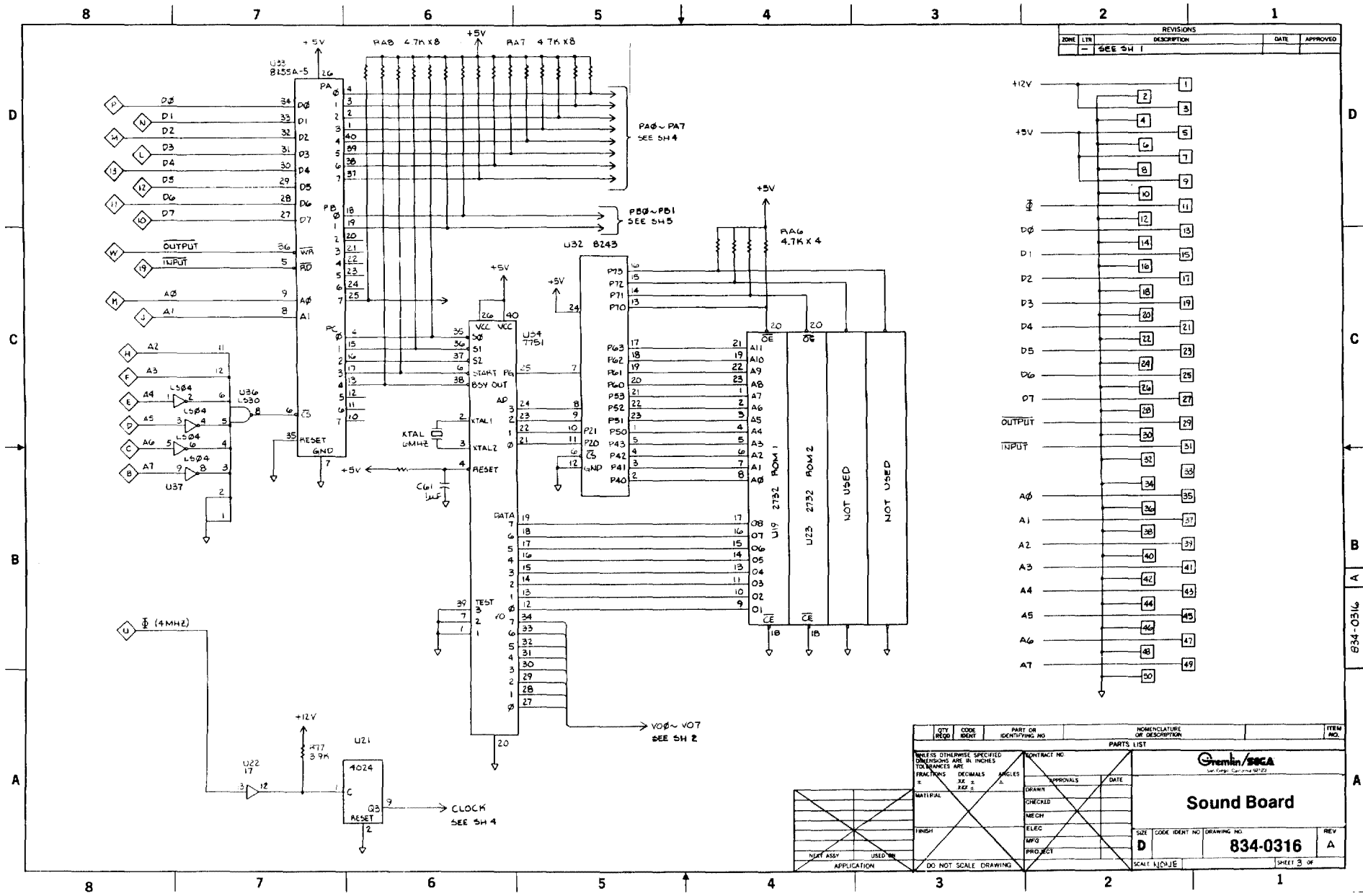


ZONE	LT#	REVISIONS	DATE	APPROVED
-	SEE SH 1			

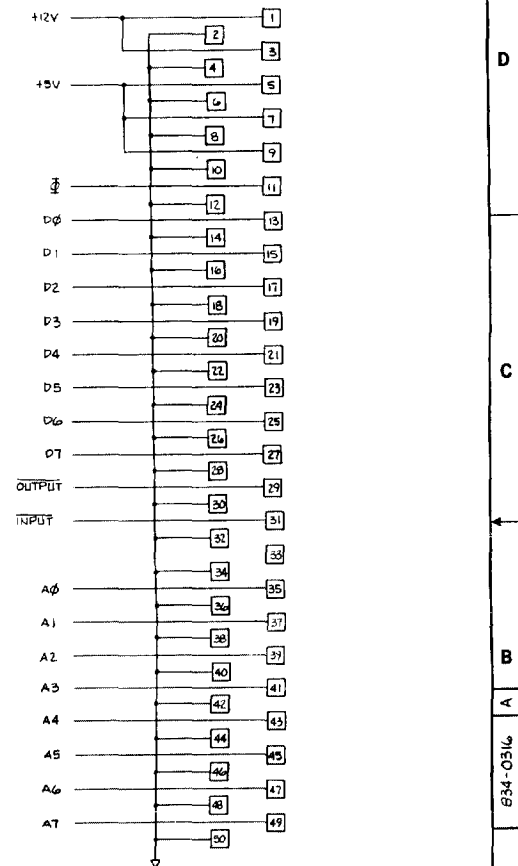
QTY	CODE	PART OR IDENTIFYING NO	NOMENCLATURE OR DESCRIPTION	ITEM NO.
PARTS LIST				
UNLESS OTHERWISE SPECIFIED DIMENSIONS ARE IN INCHES TOLERANCES ARE FRACTIONS DECIMALS ANGLES MATERIAL FINISH CHECKED MECH ELEC INFO PROJECT				
DRAWN APPROVALS DATE				
SCALE 1:1 NONE				
SHEET 2 OF				REV. A

Sound Board

D CODE IDENTIFY NO DRAWING NO **834-0316**

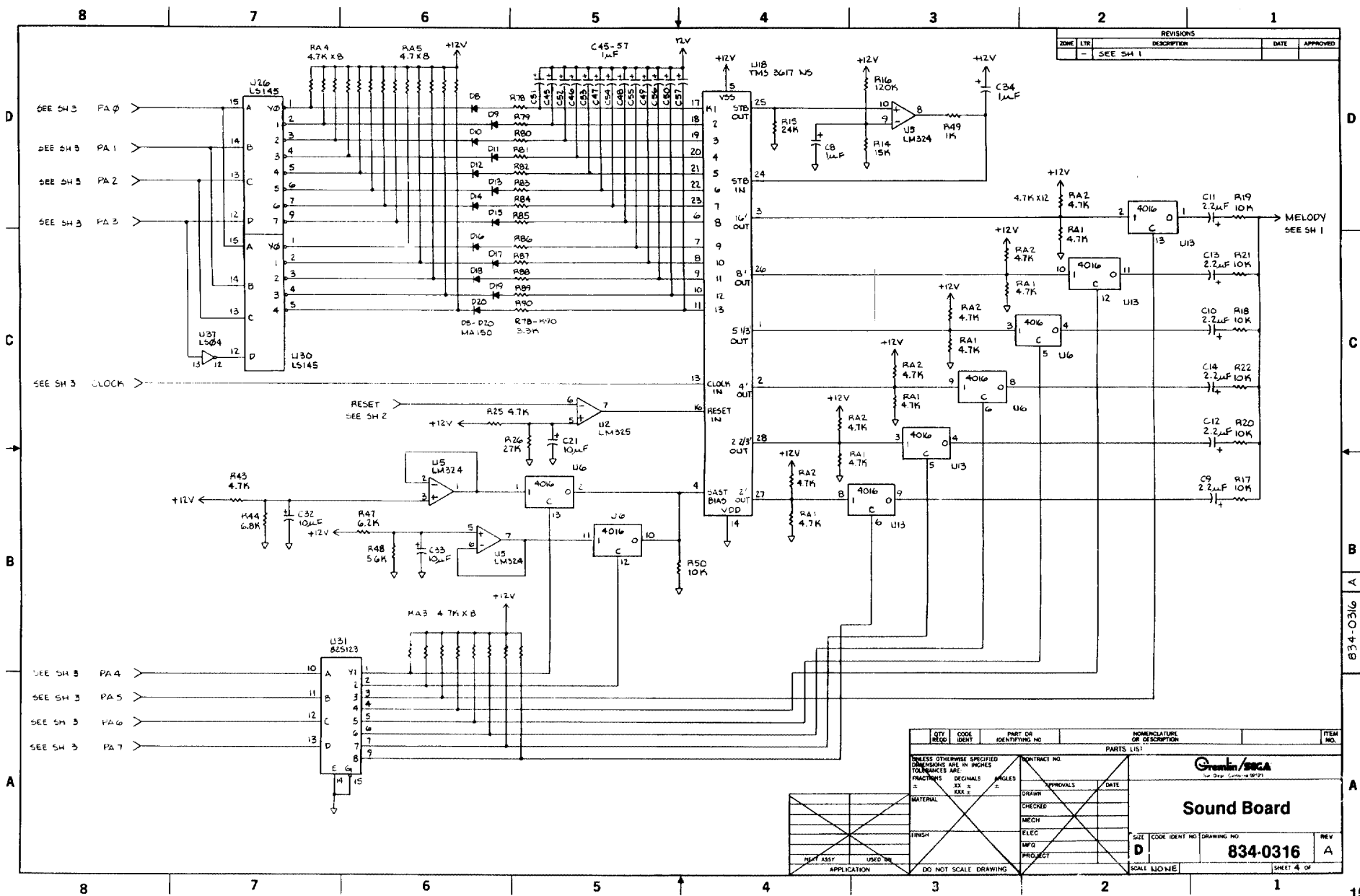


REVISIONS				
ZONE	LTR	DESCRIPTION	DATE	APPROVED
-	SEE SH 1			



QTY	CODE	PART OR IDENTIFYING NO	NOMENCLATURE OF DESCRIPTION	ITEM NO.
			Parts List	
<p>UNLESS OTHERWISE SPECIFIED DIMENSIONS ARE IN INCHES FRACTIONS ARE DECIMALS ANGLES ARE IN DEGREES</p> <p>MATERIAL FINISH TOLERANCES ARE REF 2</p> <p>CONTRACT NO. _____ DATE _____</p> <p>DRAWN _____ APPROVED _____</p> <p>CHECKED _____</p> <p>MECH _____</p> <p>ELEC _____</p> <p>ENGR _____</p> <p>PROJECT _____</p>				
<p>DO NOT SCALE DRAWING</p>			<p>SCALE 1:1</p>	
<p>834-0316</p>				<p>REV A</p>
<p>SHEET 3 OF</p>				

834-0316



REVISIONS				
ZONE	LTR	DESCRIPTION	DATE	APPROVED
-	SEE SH 1			

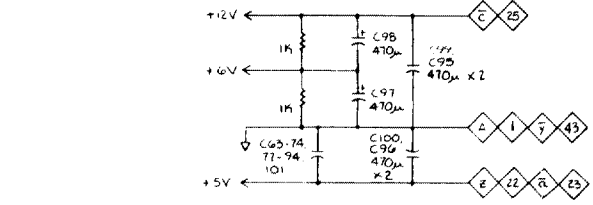
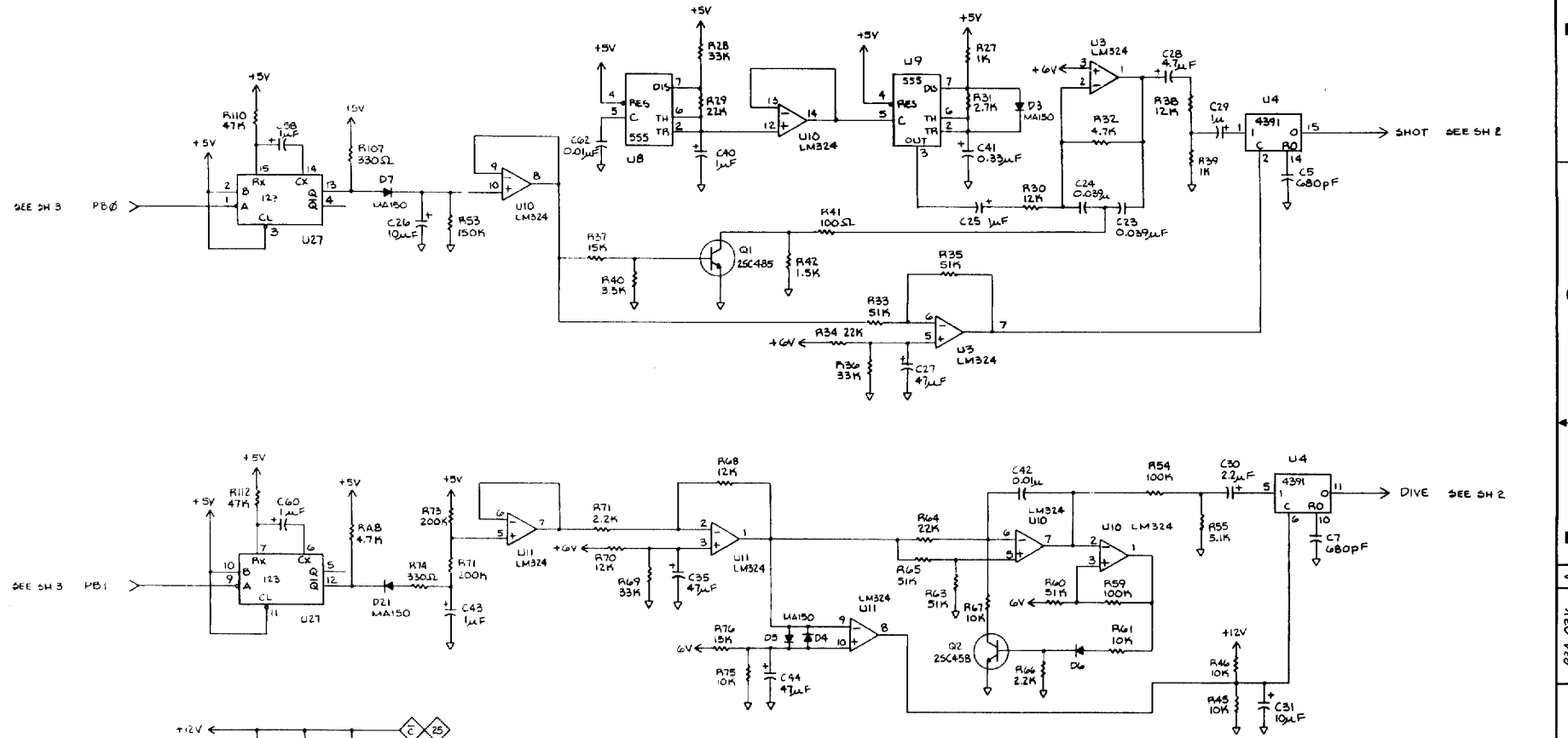
QTY	CODE	PART OR IDENTIFYING NO	NOMENCLATURE OR DESCRIPTION	ITEM NO.
REQD	IDENT			
UNLESS OTHERWISE SPECIFIED DIMENSIONS ARE IN INCHES TOLERANCES ARE		CONTRACT NO		
FRACTIONS	DECIMALS	±	APPROVALS	DATE
±	±	±	DRAWN	
MATERIAL		CHECKED		
FINISH		ELEC		
MATERIAL		MECH		
FINISH		ELEC		
MATERIAL		MFG		
FINISH		PROJECT		
HEAT ASSY		DO NOT SCALE DRAWING		
USED IN		SCALE 1/10 X		
APPLICATION		SHEET 4 OF		

Sound Board
 SIZE CODE IDENT NO DRAWING NO
D **834-0316**
 REV **A**

834-0316

8 7 6 5 4 3 2 1

REVISIONS			
ZONE	LTR	DESCRIPTION	DATE
-	-	SEE SH 1	



QTY	CODE	PART OR IDENTIFYING NO	NONNOMENCLATURE OR DESCRIPTION	FRM NO.

UNLESS OTHERWISE SPECIFIED DIMENSIONS ARE IN INCHES		CONTRACT NO	
FRACTIONS	DECIMALS	INCHES	ANGLES
1/16	0.03125		
1/32	0.015625		
1/64	0.0078125		
1/128	0.00390625		
1/256	0.001953125		

PARTS LIST		APPROVALS		DATE
DRAWN				
CHECKED				
MECH				
ELEG				
MFG				
PROJECT				

SIZE	CODE	IDENT NO	DRAWING NO	REV
D			334-0316	A

D
C
B
A
834-0316

8 7 6 5 4 3 2 1