

**CHICAGO**

**COIN**

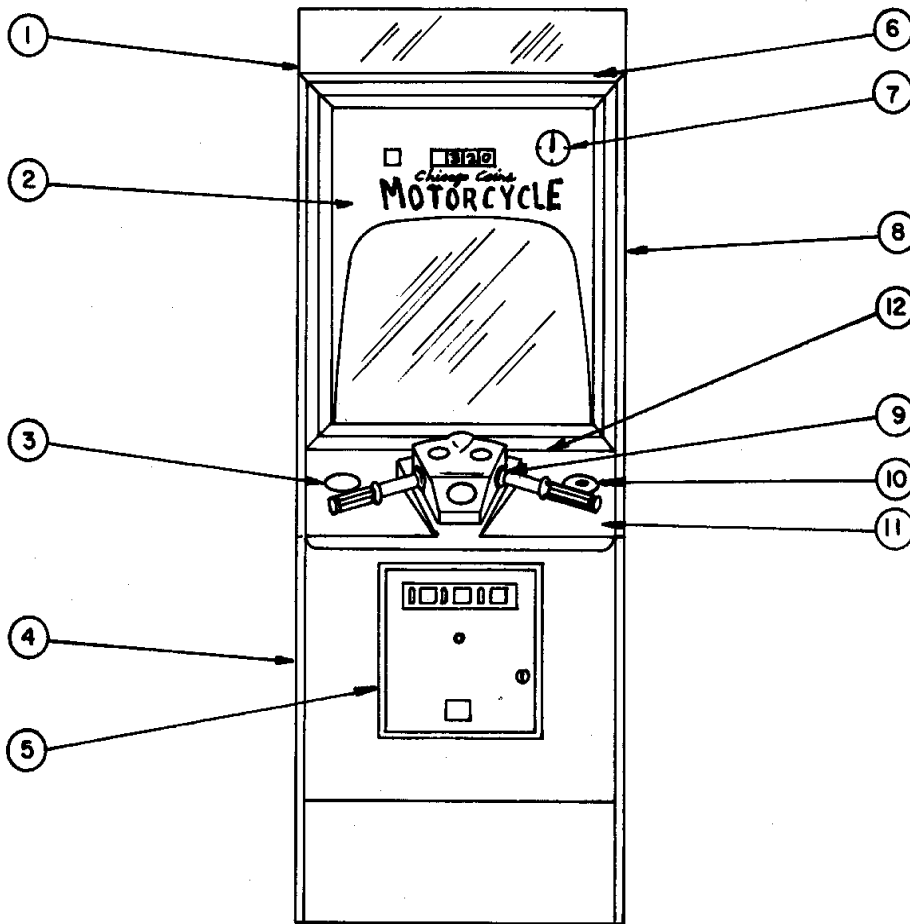
**MOTORCYCLE**

**(MODEL 385)**

**PARTS CATALOG**

CHICAGO DYNAMIC INDUSTRIES, INC.

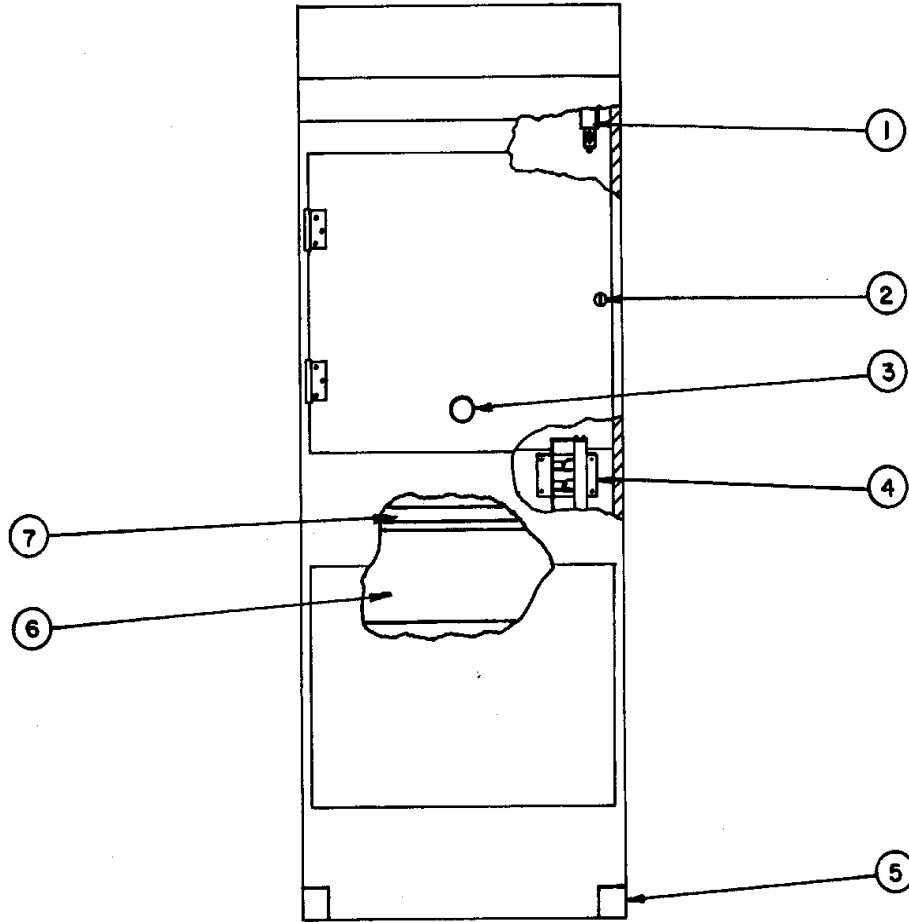
1725 DIVERSEY BOULEVARD CHICAGO, ILLINOIS 60614 PHONE (312) 935-4600



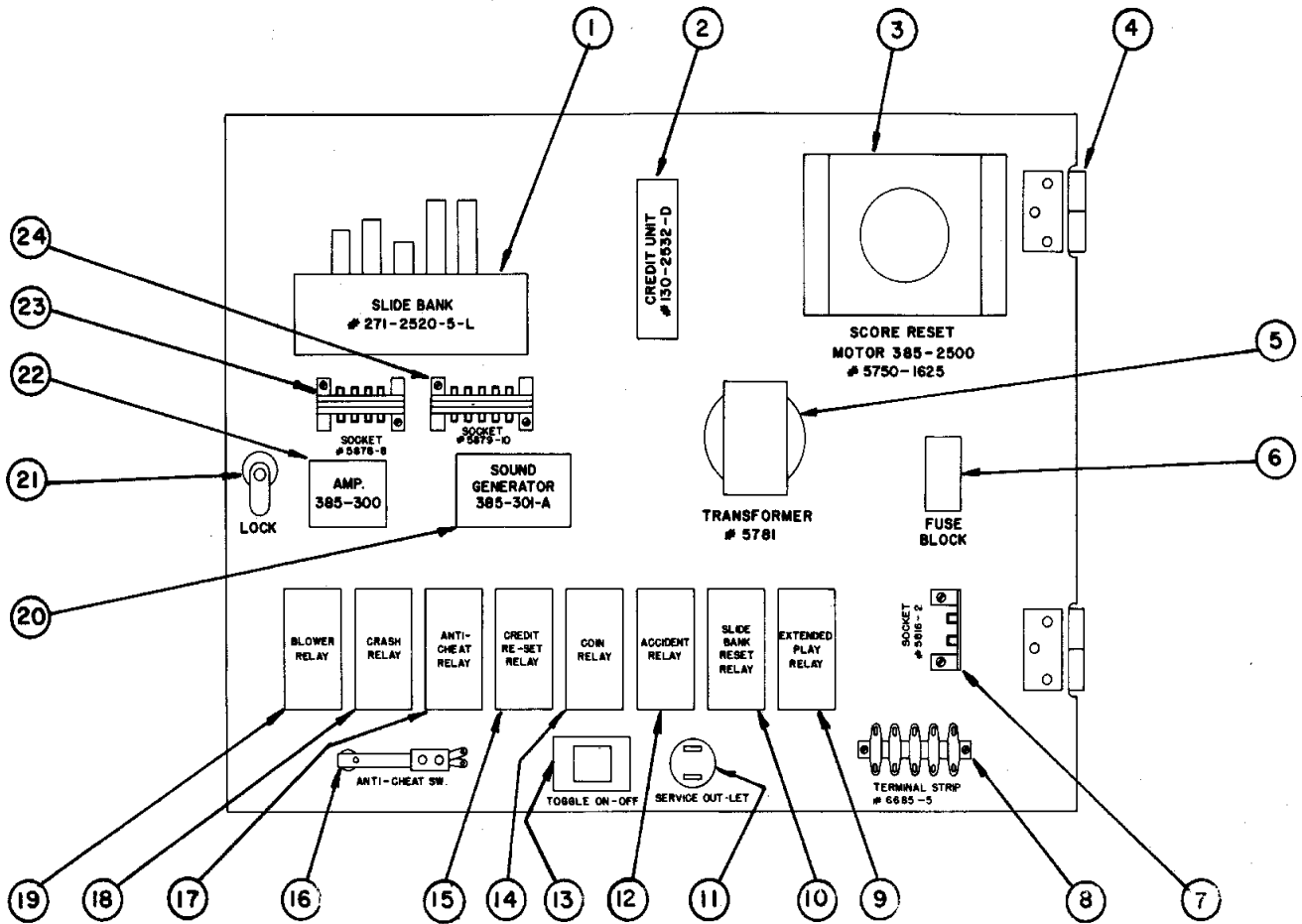
<u>ITEM</u>	<u>PART NO.</u>	<u>DESCRIPTION</u>
1	385-553	Blower Cabinet Trim
2	385-350-T	Backrack Glass
3	385-525	Speaker Grill
	385-526	Speaker Shield
	378-312	Speaker
4	385-538-L	Cabinet Trim
5	385-2501	Door Frame & Hinge Assembly
	384-500	Right Side Door Frame
	384-501	Top & Bottom Door Frame
	382-2505	Complete Front Door Ass'y.
6	385-538-T	Cabinet Trim
7	378-300-G	Time Gage
8	385-538-R	Cabinet Trim
9	385-313	Slow & Fast Decal
10	385-315	Credit Lite Window
	#16527	Plastic Bushing
	305-1501	Credit Button
	3-119	Spring
	#6722	E Ring .250
11	385-800	Deck Cover
12	385-540	Dash Board Trim

**CHICAGO DYNAMIC INDUSTRIES**

**PARTS CATALOG**



ITEM	PART NO.	DESCRIPTION
1	289-2560	Complete Knocker Ass'y.
	181-2518	Plunger & Tip Ass'y.
	167-800	Solenoid Tubing
	N-29-2500	Coil Complete
	328-567	Strike Plate
2	#6719	Lock
3	#5700	Toggle Switch
	231-573	Toggle Switch Mounting Plate
4	378-2556	Socket & Bracket Ass'y.
5	290-524	Corner Protector
6	385-325	White Plastic Screen
7	385-541	Blacklite Board Mounting Bracket
	#5130	Blacklite (18" Long)
	379-506	Socket Mounting Bracket
	#5239	Socket
	#5726	Ballast
	#5728	Starter Holder
	#5729	FS-2 Starter
	278-532	Asbestos Pad

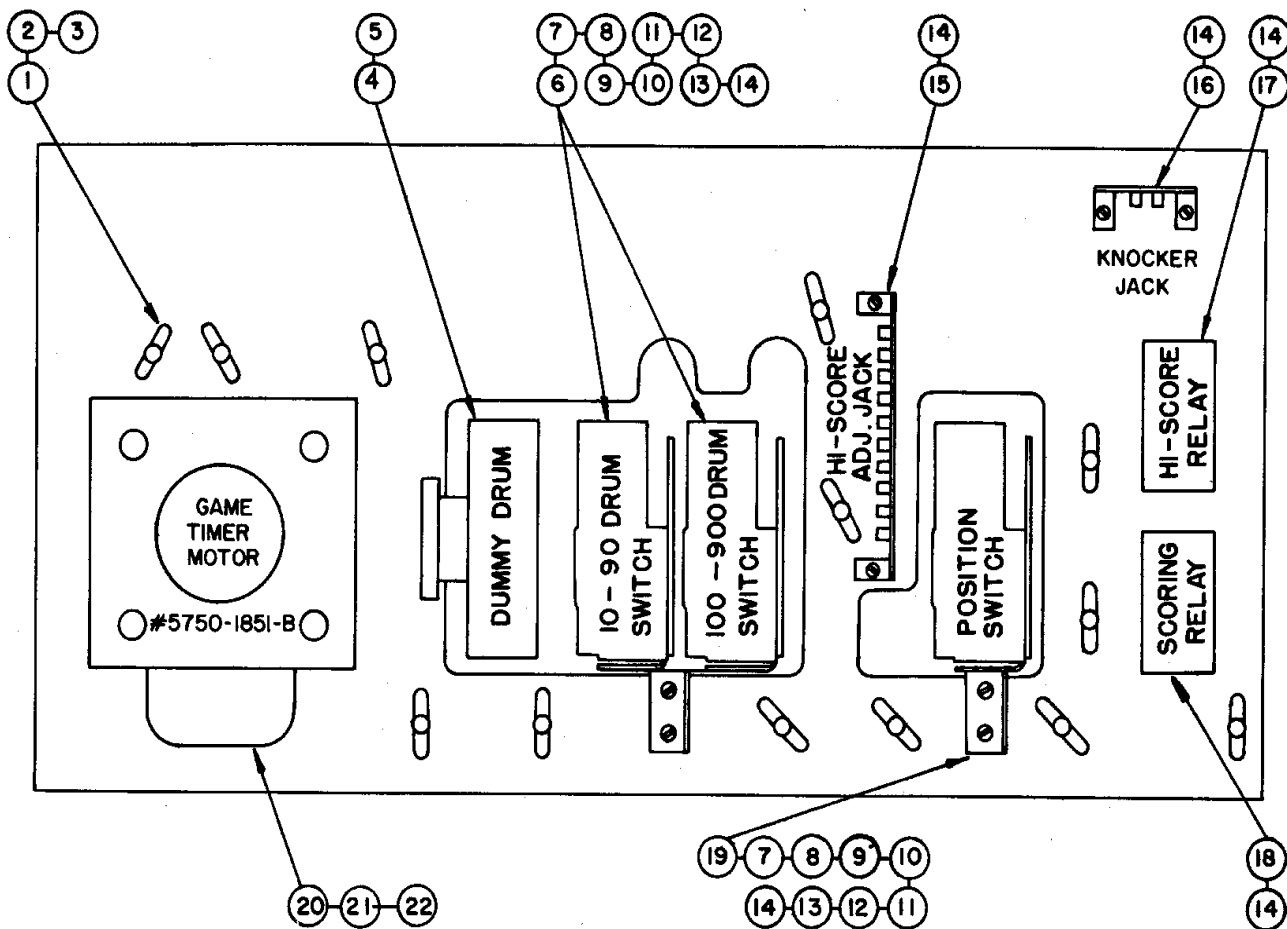


ITEM	PART NO.	DESCRIPTION
1	271-2520-5-L	Complete Slide Bank Ass'y.
	S-27-1700	Coil Complete
	271-2503-L-5	Reset Bar Ass'y.
	271-800	Plastic Slide (Refer To Standard Parts Catalog For Additional Parts)
2	130-2532-D	Complete Credit Unit Ass'y. (Refer To Standard Parts Catalog For Parts)
3	385-2500	Score Reset Ass'y. (See Page 17)
4	287-2509-A&B	Backdoor Hinge Ass'y.
5	#5781	Transformer
6	#5747-6	6 Place Fuse Clip Ass'y.
7	#5816	2 Point Socket
8	#6685	5 Place Terminal Strip
9		Extended Play Re. (See Page 20)
10		Slide Bank Reset Re. (See Page 20)
11	#5701	Convenience Service Outlet
12		Accident Re. (See Page-20)

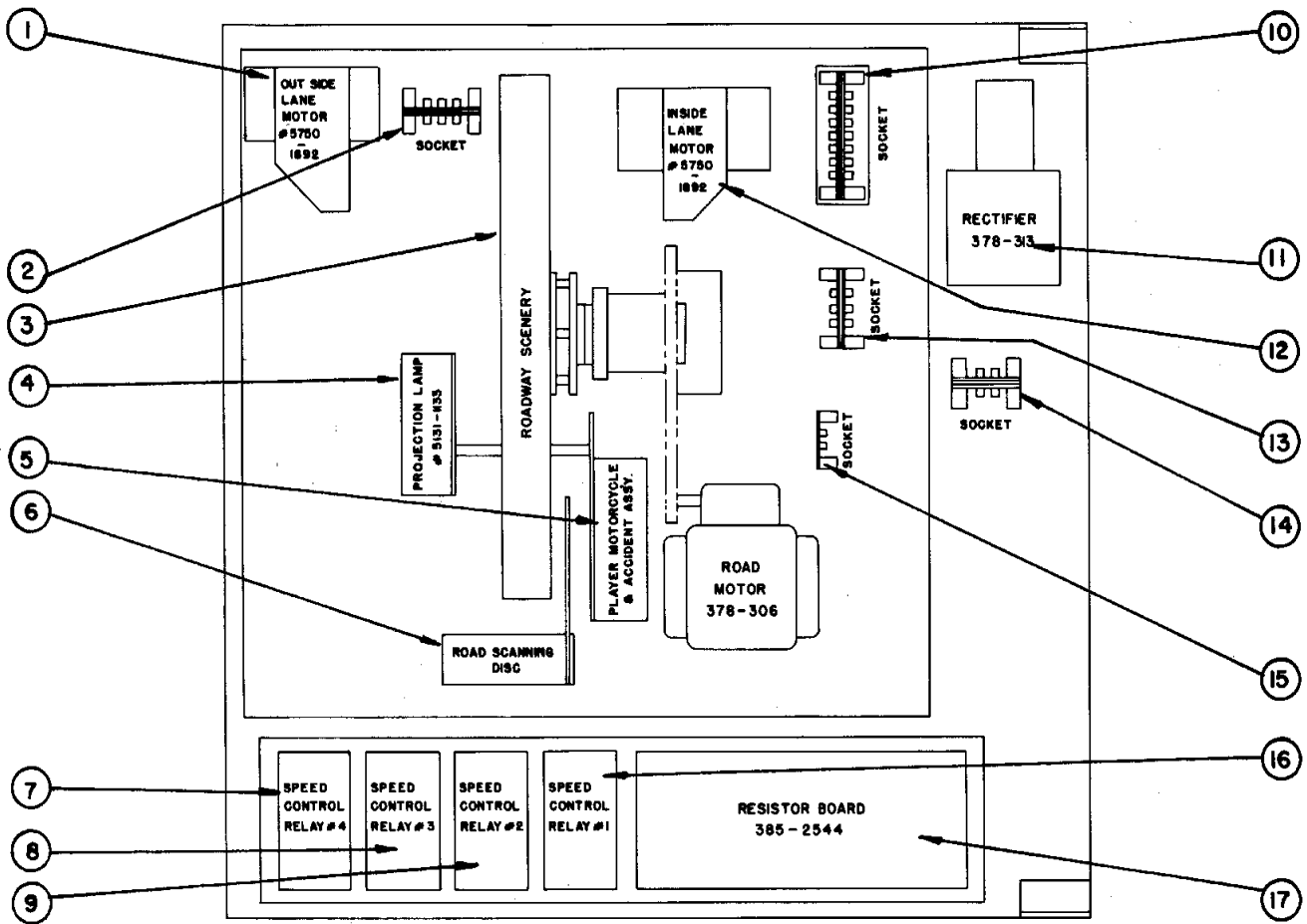
ITEM	PART NO.	DESCRIPTION
13	#5700	Toggle Switch
	231-573	Toggle Switch Mounting Plate
14		Coin Relay (See Page 20)
15		Credit Reset Relay (See Page 20)
16	#307	Anti-Cheat Switch
17		Anti-Cheat Relay (See Page 20)
18		Crash Relay (See Page 20)
19		Blower Relay (See Page 20)
20	385-301-A	Sound Generator
21	#6719	Lock
	#6877-A	Lock Cam
22	385-300	Amplifier
23	#5878	8 Point Socket
24	#5879	10 Point Socket

**CHICAGO DYNAMIC INDUSTRIES**

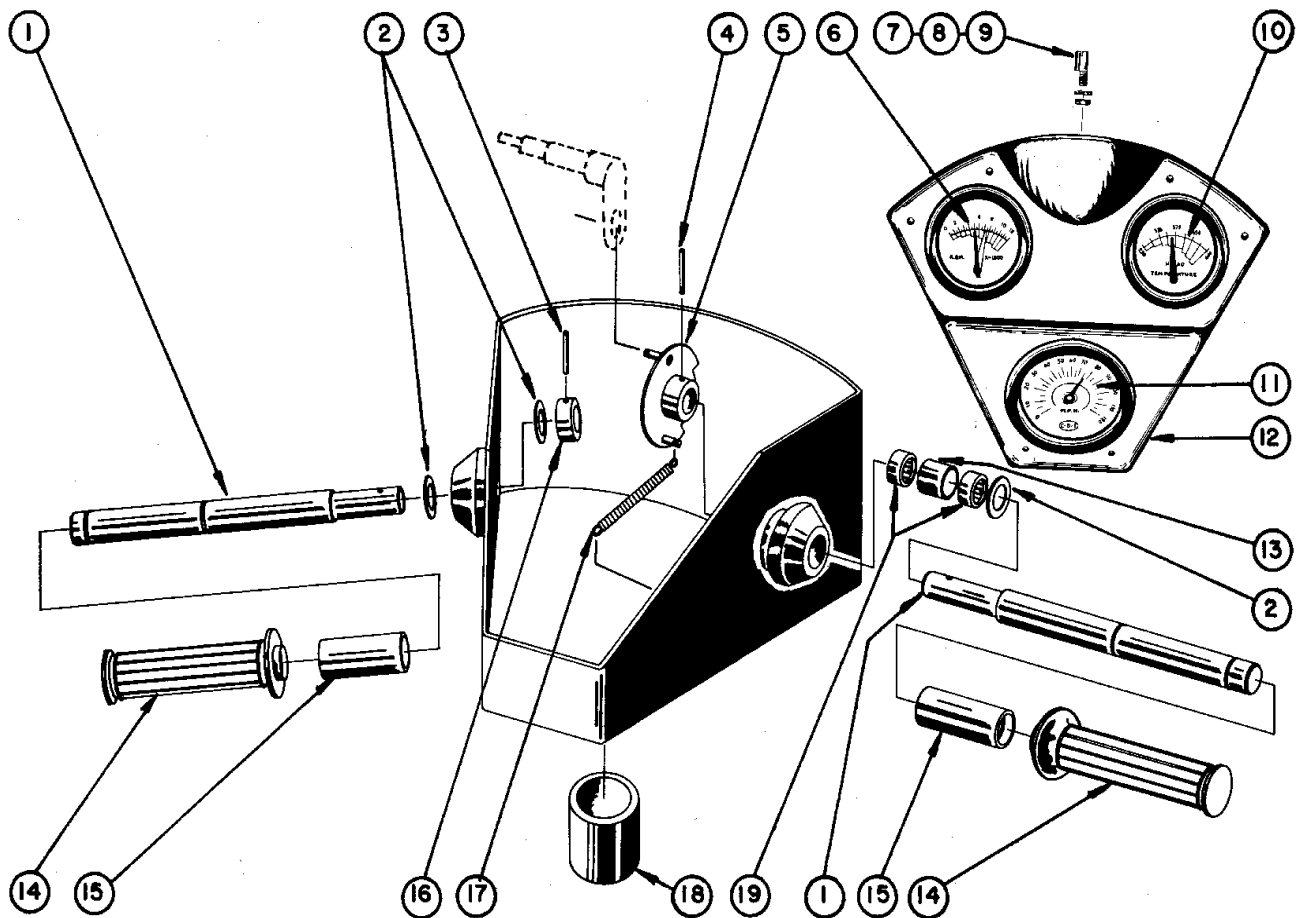
**PARTS CATALOG**



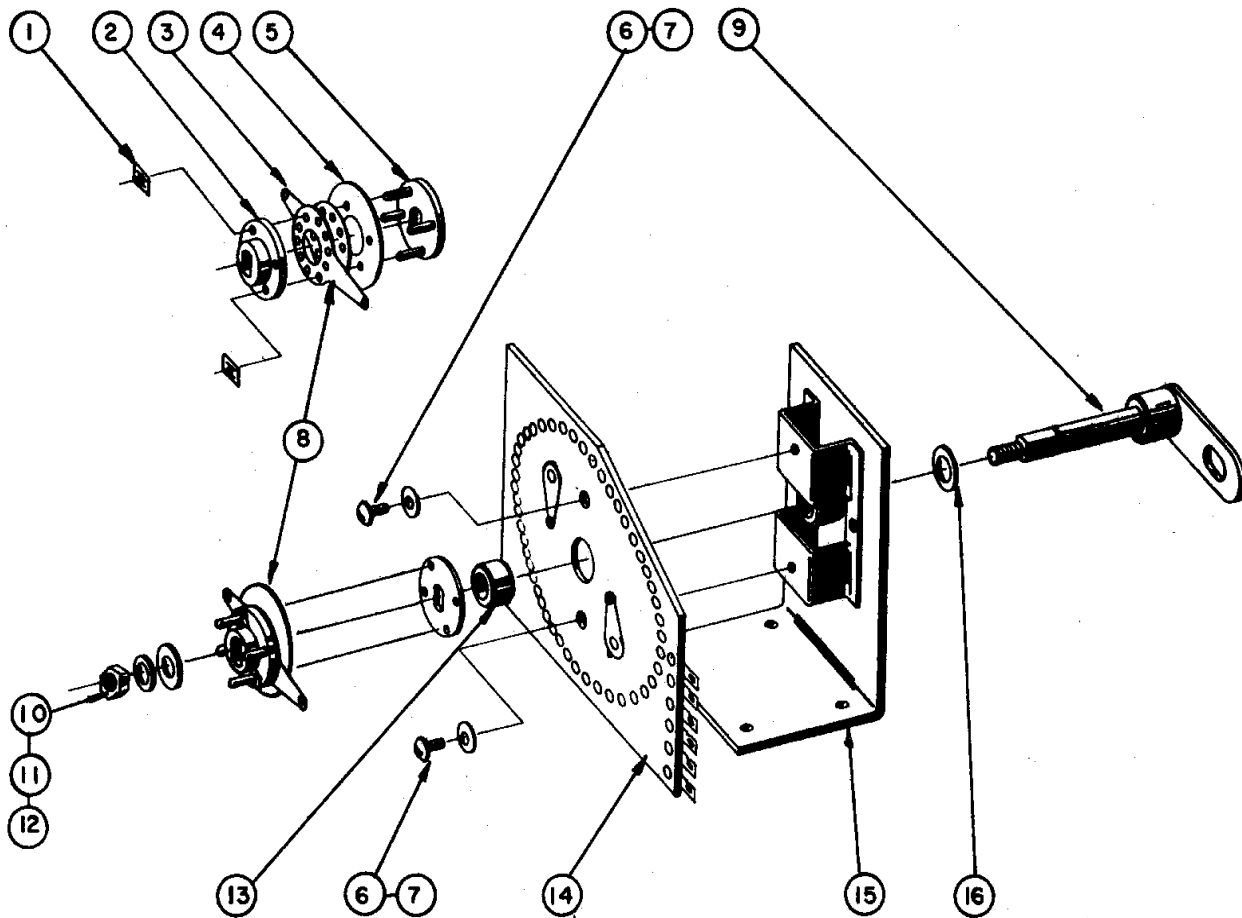
ITEM	PART NO.	DESCRIPTION	ITEM	PART NO.	DESCRIPTION
1	#5232	Bayonet Socket	12	#5378	Washer
2	#5112	#47 Bulb	13		#8-32 Hex Nut
3	#5127	#455 Flasher Bulb	14		#6 x 1/2" Lg. Rd. Phillip Hd. S.M.S.
4	500-2512	Dummy Drum Assembly	15	#5820	10 Point Socket
5		#6 x 1/2" Lg. Rd. Phillip Washer Hd. S.M.S.	16		2 Point Socket
6	500-2555	Complete Switch (See Page 15)	17		Hi-Score Re. (See Page 20)
7	300-502-2	Mounting Bracket	18		Score Re. (See Page 20)
8	300-503	Support Bracket	19	500-2555	Complete Switch (See Page 15)
9	168-910	Spring Clip	20		Game Timer Motor (See Page 18)
10		#8-32 x 1-1/4" Lg. Carriage Bolt	21	#5325	Steel Washer
11	#5427	#8 Split Type Lockwasher	22		#8 x 1" Lg. Rd. Phillip Hd. S.M.S.



ITEM	PART NO.	DESCRIPTION
1	5750-1892	Outside Lane Motor
2	#5877	6 Point Socket
3		See Page 9
4		See Page 10
5		See Page 12
6		See Page 11
7		See Page 20
8		See Page 20
9		See Page 20
10	#5881	14 Point Socket
11	378-313	Rectifier
12	5750-1892	Inside Lane Motor
13	#5877	6 Point Socket
14	#5876	4 Point Socket
15	#5816	2 Point Socket
16		See Page 20
17		See Page 14



ITEM	PART NO.	DESCRIPTION
1	385-1503	Handle Bar
2	#5387	Steel Washer
3	#6916	Roll Pin
4	#6704	Roll Pin
5	385-2510	Speed Control Cam Ass'y
6	385-306-D	R.P.M. Dial
7	328-1507	Eccentric Lock Stud
8	#5429	Split Lockwasher
9		1/4-20 Hex Nut
10	385-306-C	Temperature Dial
11	385-306-B	Speed Dial
12	385-2526	Complete Console Ass'y
	385-802	Instrument Cover
13	385-1518	Handle Bearing Spacer
14	385-801	Handle Grip
15	385-1504	Handle Grip Spacer
16	378-1529	Lock Bushing
17	130-910-21	Spring
18	385-308	Stop Bumper
19	385-311	Needle Roller

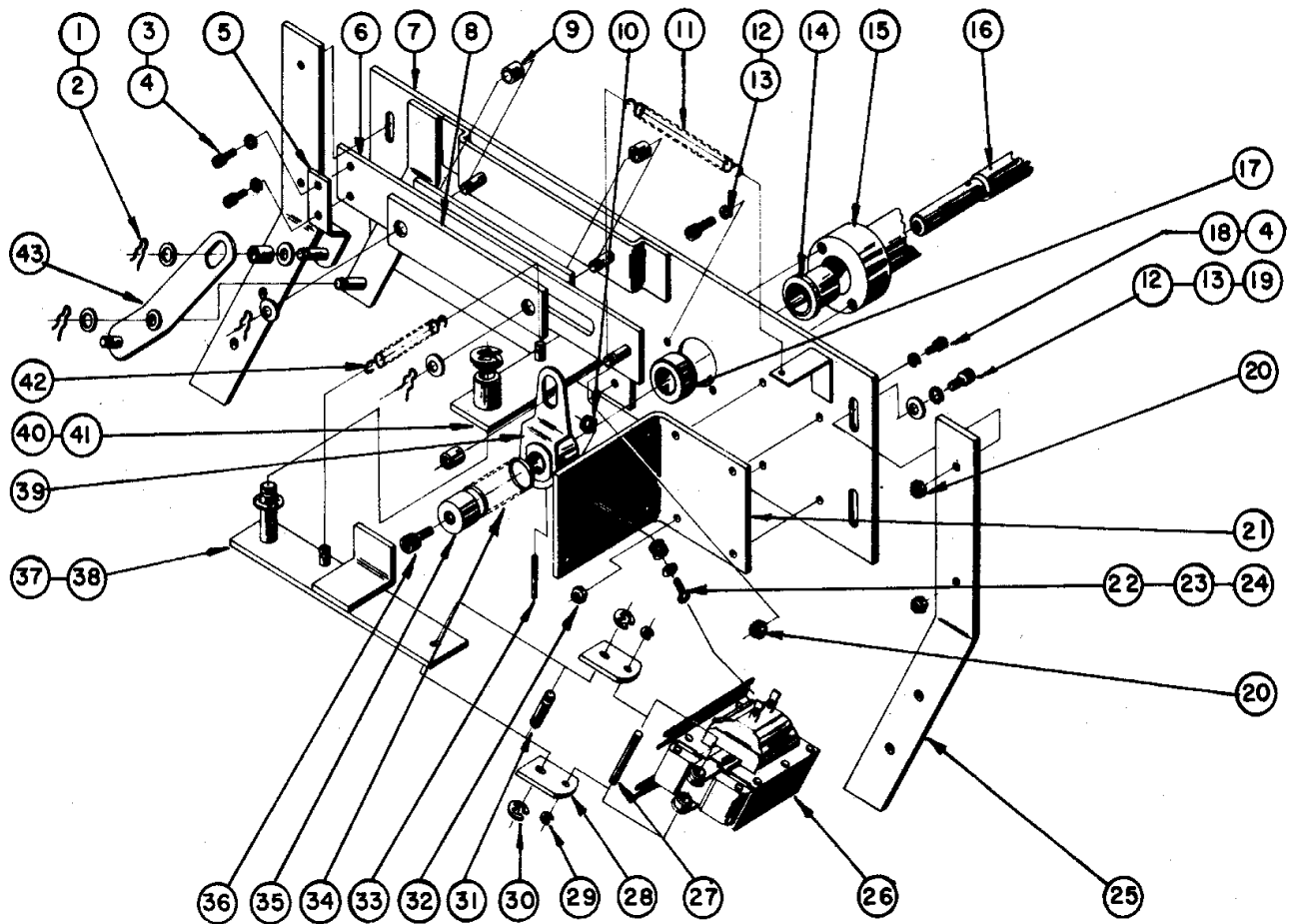


ITEM	PART NO.	DESCRIPTION
1	#6843	Push On Type Tinnerman
2	130-806	Finger Hub
3	130-551	Finger
4	130-581	Grounding Washer
5	130-802	Finger Washer
6		#6-32 x 1/4" Lg. Sems Unit
7	#5305	Washer
8	385-2509	Complete Wiper Finger Ass'y.
9	385-2514	Speed Control Shaft Ass'y.
10		1/4-28 Hex Nut
11	#5429	Lockwasher
12	#5343	Washer
13	385-1512	Bushing
14	385-2507	Complete Contact Plate Ass'y.
15	385-2535	Mounting Bracket Ass'y.
16	#5338	Washer

**CHICAGO DYNAMIC INDUSTRIES**

**PARTS CATALOG**

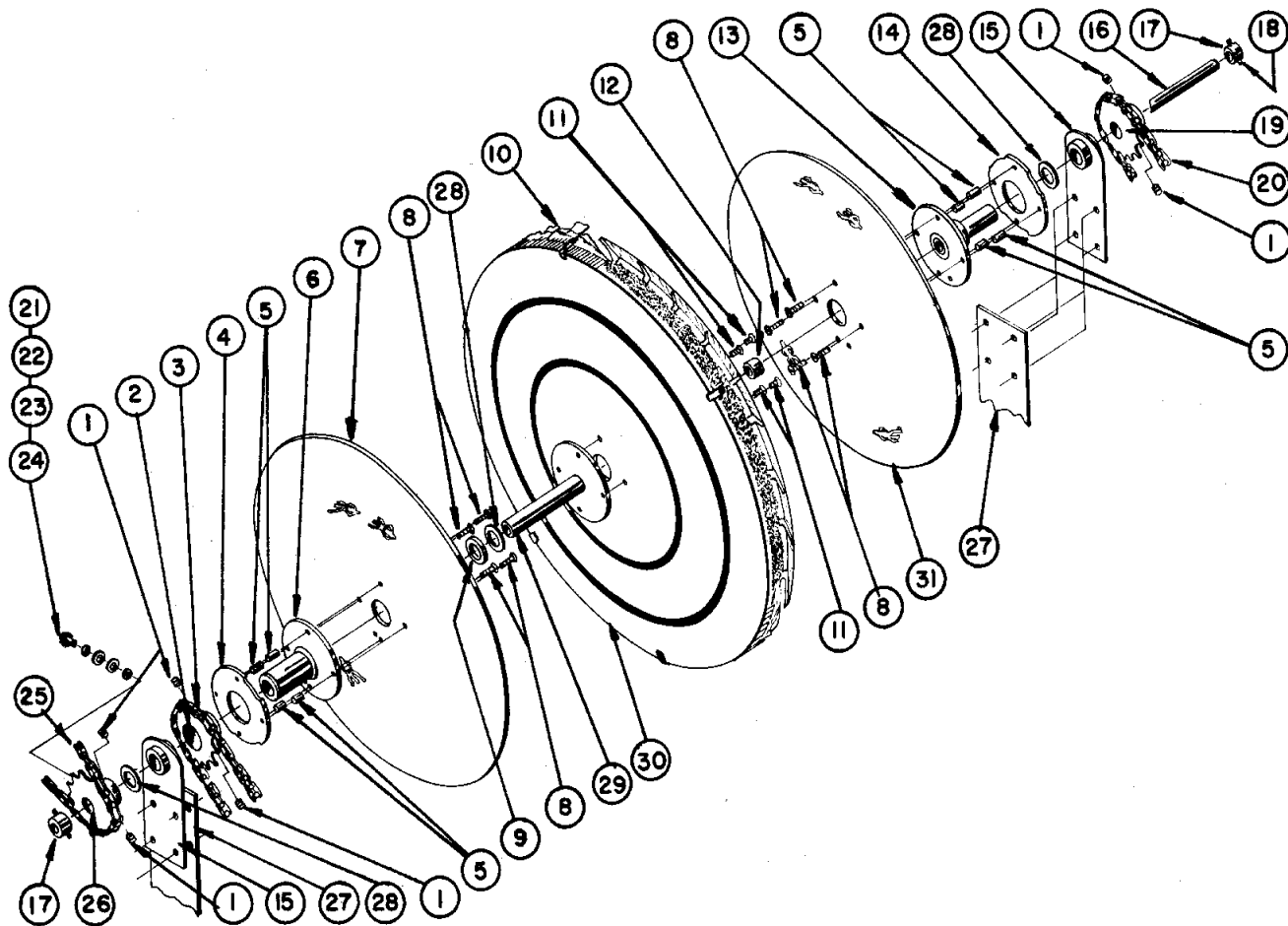




ITEM	PART NO.	DESCRIPTION	ITEM	PART NO.	DESCRIPTION
1	91-905	Spring Clip	22		#8-32 x 1/2" Lg. R.H.M.S.
2	#5330	Brass Washer	23	#5305	Steel Washer
3		#8-32 x 3/8" Lg. Socket	24	#6075	Rubber Grommet
4	#5427	Hd. Cap Screw	25	378-509	Mounting Leg
5	378-2509	#8 Split Lockwasher	26	378-332	Solenoid
6	385-2518	Arm Assembly	27	189-1502	Arm Pin
7	385-2519	Draw Bar & Post Ass'y	28	378-578	Accident Operating Link
8	369-549	Support Plate Ass'y	29	#6736	E Ring .156
9	130-1517-G	Bearing Pad	30	#6722	E Ring .250
10		Rolled Spacer	31	378-1532	Connecting Pin
11	250-900-A	#8-32 Elastic Stop Nut	32		#8-32 Hex Nut
12		Spring	33	#6713	1/8 x 1" Lock Pin
13	#5428	#10-32 x 3/4" Lg. Socket	34	385-901	Spring
14	328-304	Hd. Cap Screw	35	378-1531	Shaft Cap
15	385-2511	#10 Split Lockwasher	36		1/4-20 x 3/3" Lg. Socket
16	385-1509	#8-32 x 1/2" Lg. Socket			Hd. Cap Screw
17	385-1520	Oilite Bearing	37	385-2513	Arm Assembly
18		Steering Column Sub-Ass'y	38	#5338	Steel Washer
19	#5303	Steering Shaft	39	385-2517	Operating Arm Assembly
20		Steering Shaft Spacer	40	378-2554	Bracket Assembly
21	378-573	#8-32 x 1/2" Lg. Socket	41	#6724	E Ring .375
		Hd. Cap Screw	42	378-902	Spring
		Steel Washer	43	378-2510	Arm Link Assembly
		#10-32 Elastic Stop Nut			
		Solenoid Mounting Bracket			

CHICAGO DYNAMIC INDUSTRIES

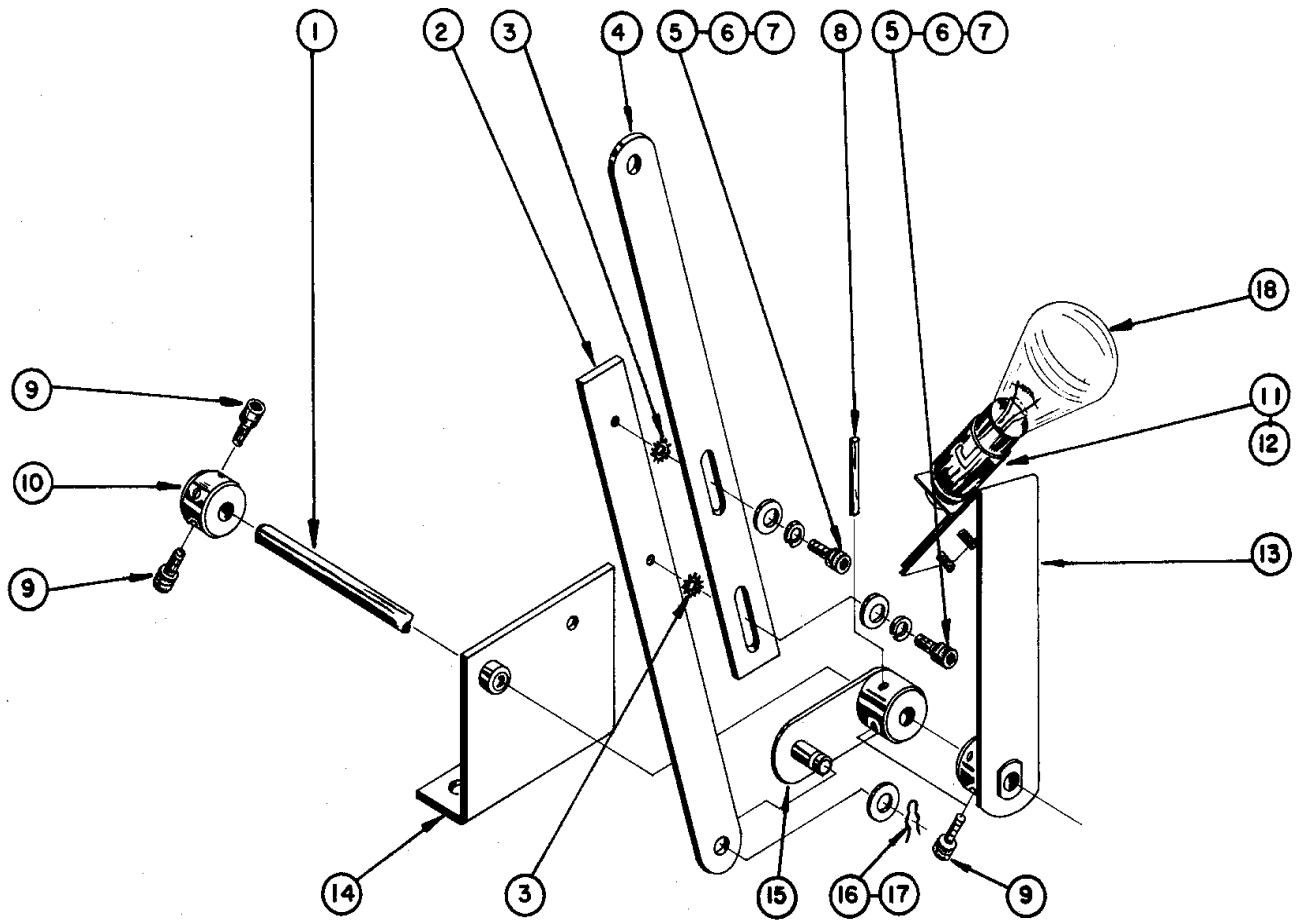
PARTS CATALOG



ITEM	PART NO.	DESCRIPTION	ITEM	PART NO.	DESCRIPTION
1		1/4-20 x 1/4" Lg. Socket Set Screw	16	378-1520	Roadway Shaft
2	378-801	Sprocket (1" I.D.)	17	378-1521	Lock Collar
3	378-314-A	Bicycle Chain (21" Lg.)	18		#10-32 x 1/4" Lg. Socket Set Screw (Cup Point)
4	378-536	Inner Cam	19	378-2560	Roadway Sprocket Ass'y
5	#6891-8-D	Rolled Spacer	20	378-314-B	Bicycle Chain (23" Long)
6	378-2514	Shaft & Bearing Ass'y	21		#8-32 x 5/16" Lg. Sems Unit
	328-303	Oilite Bearing	22	#5318	Brass Washer
7	385-305	Outer Disc (12" Dia.)	23	#5321	Steel Washer
8		#8-32 x 3/4" Lg. F.H.M.S.	24	#5427	#8 Split Lockwasher
9	378-1533	Spacer	25	378-314	Bicycle Chain (20" Long)
10	385-2508	Scenery Strip Ass'y	26	378-802	Sprocket (5/8" I.D.)
11		#8-32 x 1/4" Lg. R.H.M.S.	27	378-519	Roadway Support
12	378-1534	Spacer	28	#5387	Steel Washer
13	378-2516	Outer Drive Shaft Ass'y	29	378-2513	Roadway Drive Shaft Ass'y
14	378-537	Outer Accident Cam	30	385-304	Roadway Disc (16" Dia.)
15	378-2511	Bearing Support Plate Ass'y	31	385-303	Outer Motorcycle Disc (12")
	328-303	Oilite Bearing			

**CHICAGO DYNAMIC INDUSTRIES**

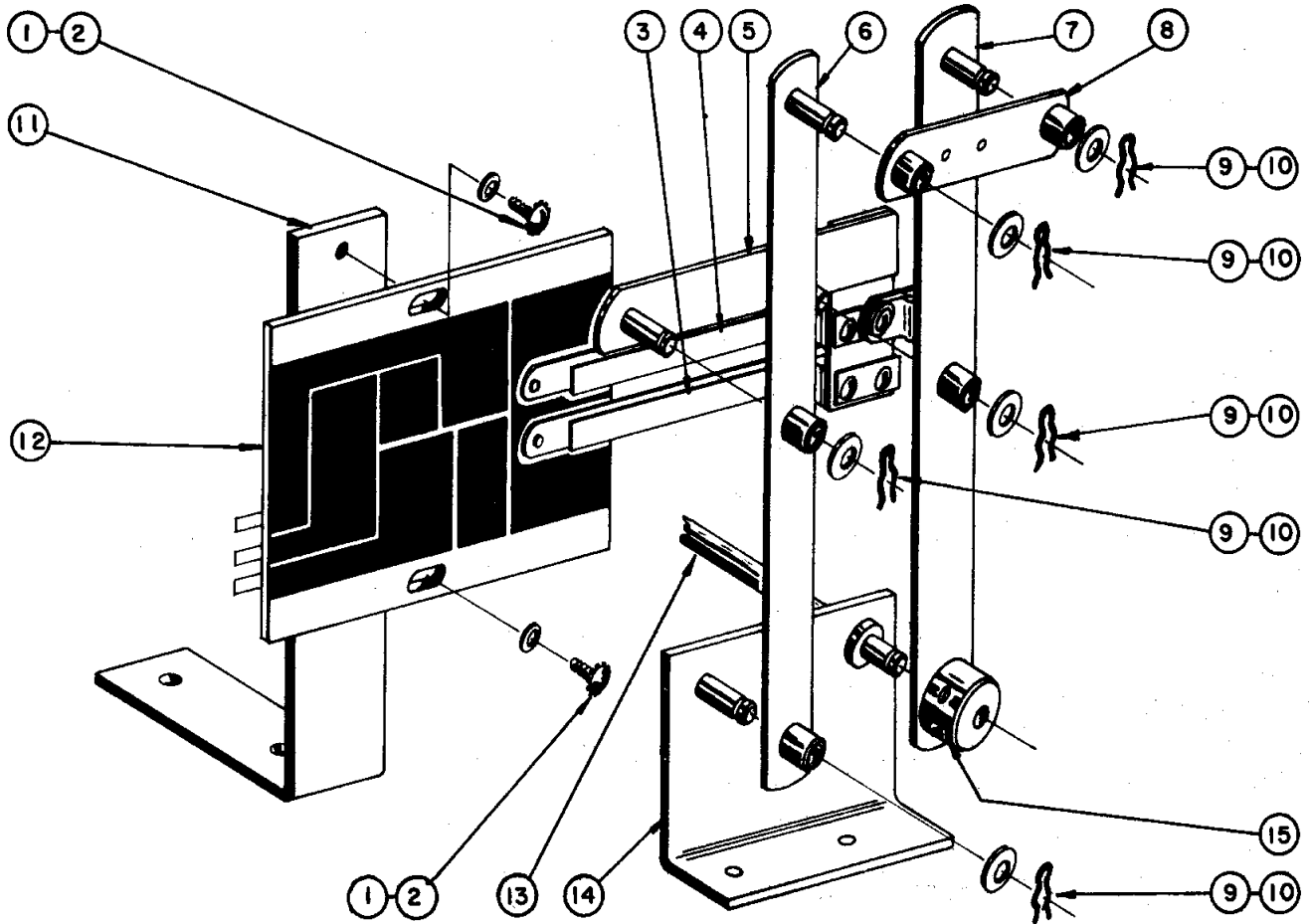
**PARTS CATALOG**



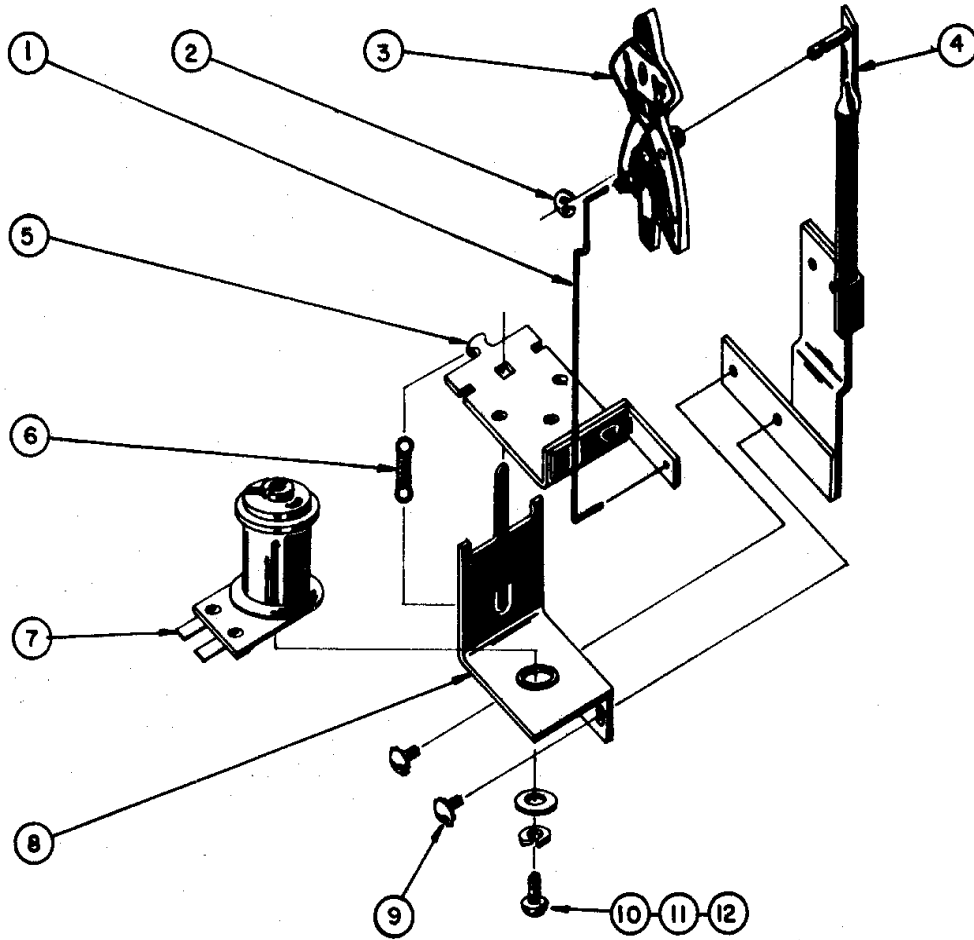
ITEM	PART NO.	DESCRIPTION
1	378-1511	Linkage Shaft
2	378-603	Steering Link
3	#5477	External Lockwasher
4	378-604	Adjustable Steering Link
5		#8-32 x 1/2" Lg. Socket Hd. Cap Screw
6	#5427	#8 Split Lockwasher
7	#5378	Steel Washer
8	#6705	Roll Pin
9		#10-32 x 3/8" Lg. Allen Hd. Set Screw
10	378-1535	Collar
11	385-2520	Projection Lite Ass'y.
12	#6075	Rubber Grommets
13	378-2536	Projection Lite Mtg. Bracket
14	378-2524	Lite Mtg. Bracket Ass'y.
15	378-2533	Steering Link Ass'y.
16	#91-905	Retaining Spring
17	#5391	Steel Washer
18	#5131	6V. Bulb

CHICAGO DYNAMIC INDUSTRIES

PARTS CATALOG



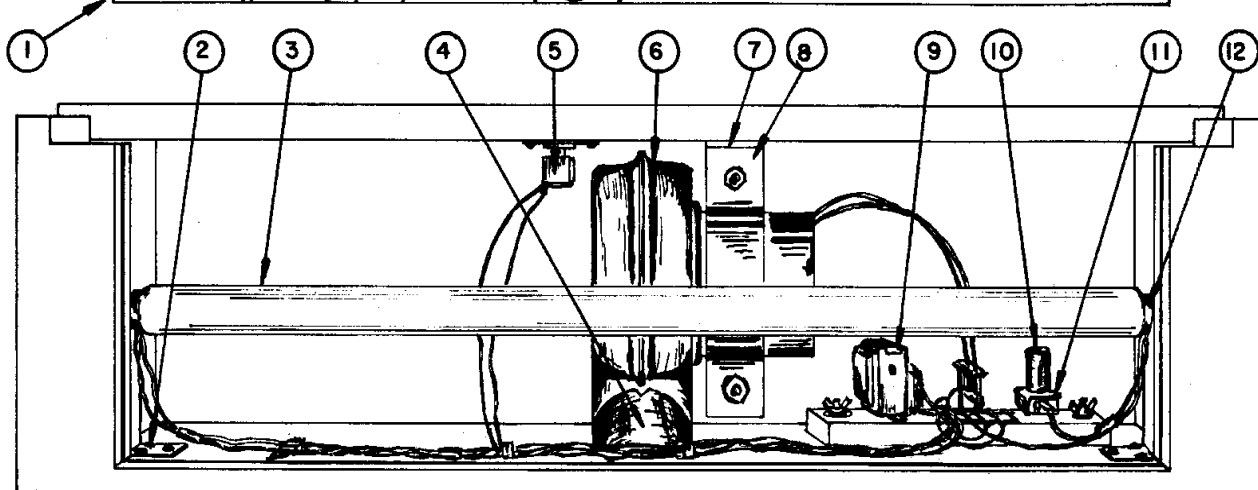
ITEM	PART NO.	DESCRIPTION
1		#8-32 x 3/8" Lg. Sems Unit
2	#5318	Brass Washer
3	#273-L	Contact Switch
4	#273-R	Contact Switch
5	378-2525	Contact Mounting Bracket Ass'y.
6	378-2520	Secondary Link Assembly
7	378-2519	Main Link Assembly
8	378-2518	Swivel Bracket Assembly
9	91-905	Spring Clip
10	#5310	Brass Washer
11	378-567	Printed Circuit Mounting Bracket
12	385-2543	Road Printed Circuit Assembly
13	378-1511	Car & Link Shaft
14	378-2523	Mounting Bracket Assembly
15	#6705	Roll Pin



ITEM	PART NO.	DESCRIPTION
1	385-900	Wire Form
2	#6737	E Washer .187
3	385-2539	Motorcycle Man & Bushing Ass'y
4	385-2505	Mounting Bracket Ass'y
5	385-2538	Armature & Bracket Ass'y
6	129-905	Spring
7	K-29-1400	Coil Complete
8	129-2520-L	Coil & Eyelet Mounting Bracket Ass'y
9		#6-32 x 1/4" Lg. Sems Unit
10		#10-32 x 3/8" Lg. R.H.M.S. Brass
11	#5428	#10 Split Lockwasher
12	#5301	Brass Washer

CHICAGO DYNAMIC INDUSTRIES

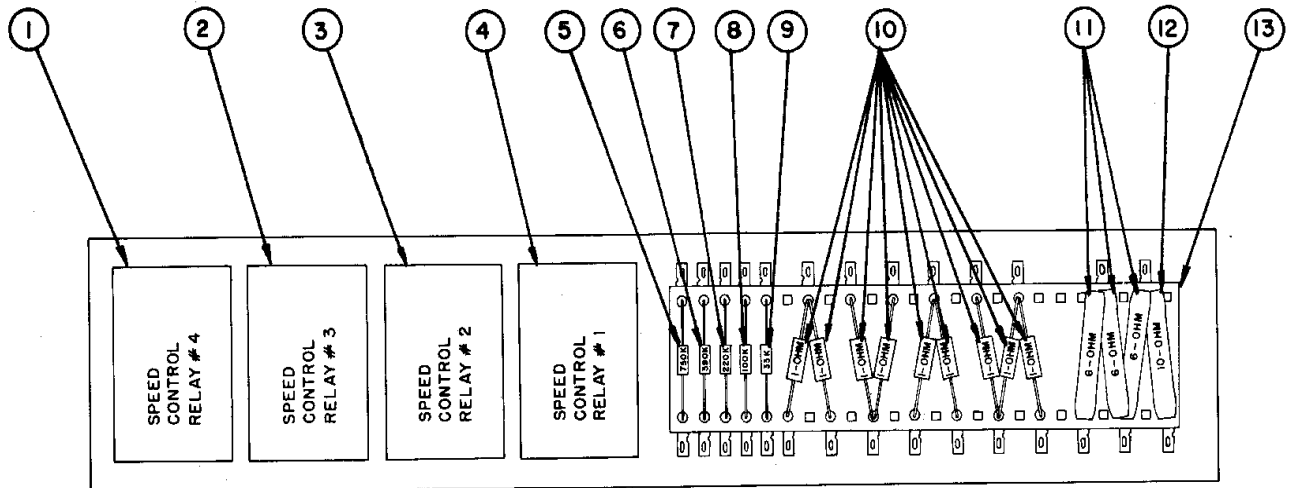
PARTS CATALOG



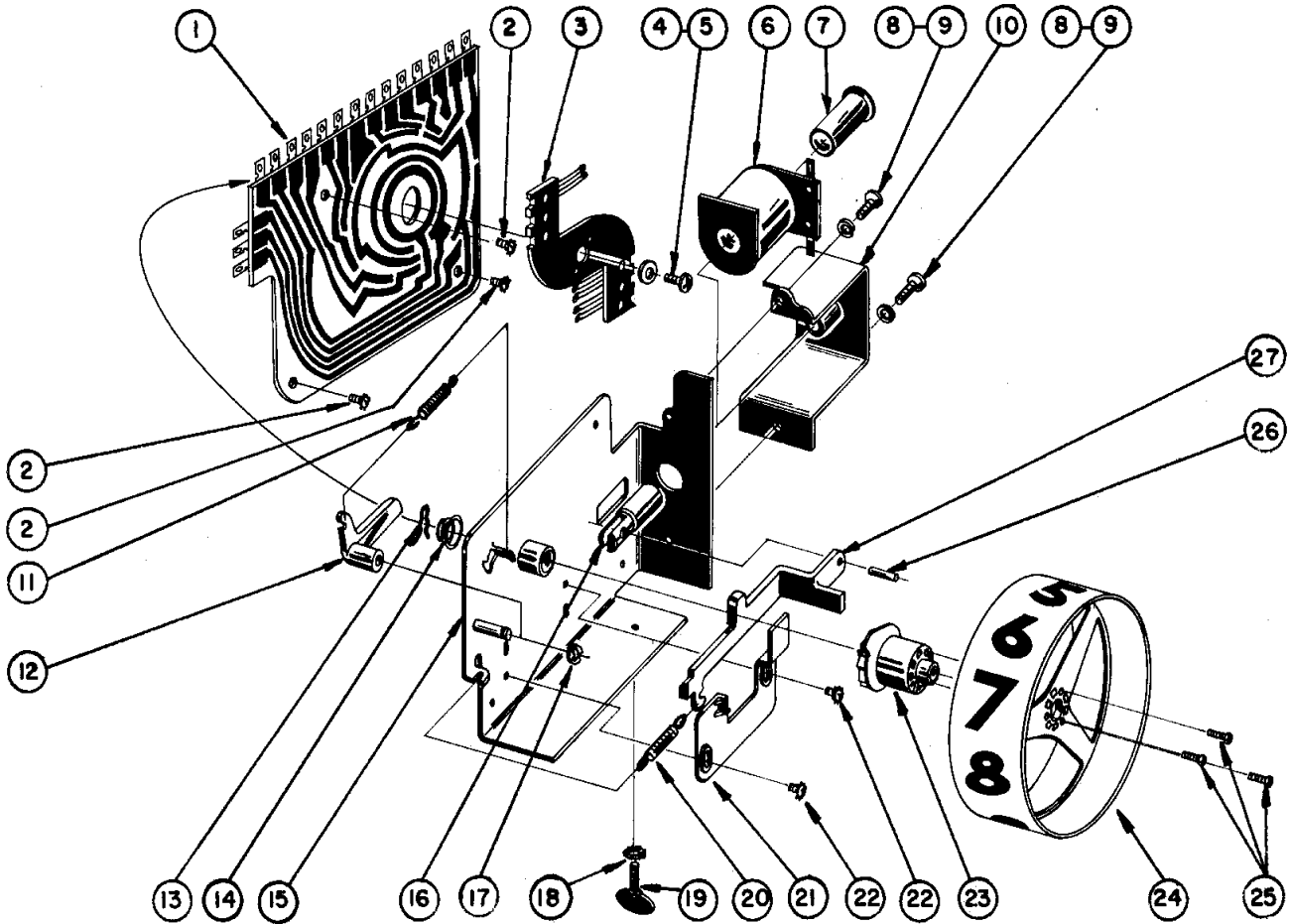
<u>ITEM</u>	<u>PART NO.</u>	<u>DESCRIPTION</u>
1	385-310	Display Sign
2	385-532	Socket Mtg. Bracket
3	#5116	Fluorescent Lamp 20W.
4	385-1515	Blower Tube
5	#5700	Toggle Switch
6	385-535	Blower Motor
7	385-505	Blower Mtg. Bracket
8	385-506	Blower Motor Clamp
9	#5726	Ballast
10	#5729	Starter (FS-2)
11	#5728	Starter Holder
12	#5727	Fluorescent Socket

**CHICAGO DYNAMIC INDUSTRIES**

**PARTS CATALOG**



ITEM	PART NO.	DESCRIPTION
1		Speed Control Re. #4 (See Page 20)
2		Speed Control Re. #3 (See Page 20)
3		Speed Control Re. #2 (See Page 20)
4		Speed Control Re. #1 (See Page 20)
5	5606-H	750K 1/2 W Resistor (5%)
6	5610-G	390K 1/2 W Resistor (10%)
7	5610-F	220K 1/2 W Resistor (10%)
8	5610-E	100K 1/2 W Resistor (10%)
9	5610-D	33K 1/2 W Resistor (10%)
10	5611-C	1 OHM 2 W Wire Wound Resistor
11	5611-A	6 OHM 2 W Wire Wound Resistor
12	5611-B	10 OHM 2 W Wire Wound Resistor
13	385-2549	Resistor Board & Terminal Ass'y.

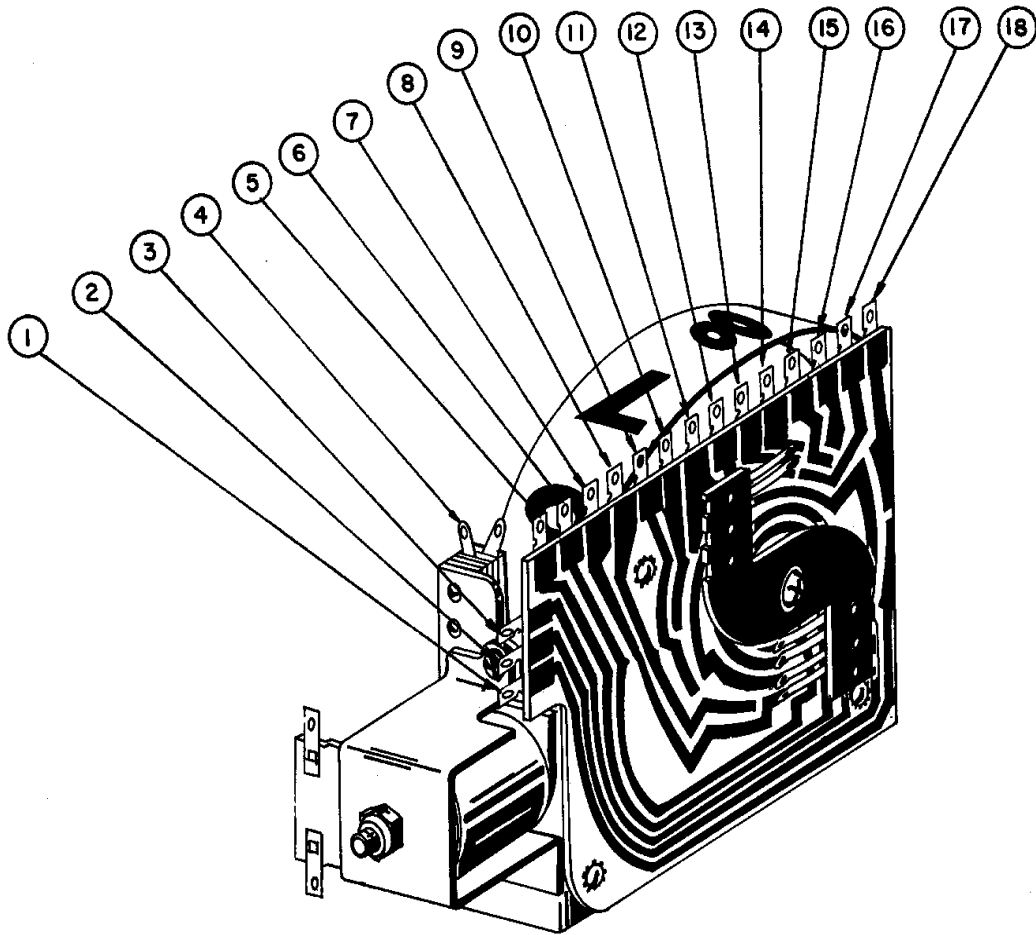


ITEM	PART NO.	DESCRIPTION	ITEM	PART NO.	DESCRIPTION
1	500-2520	Printed Circuit Ass'y	14	300-903	Spring
2		#6-32 x 1/4" Lg. Sems Unit	15	500-2501	Mounting Plate Sub-Ass'y
3	500-2519	Wiper Finger Ass'y	16	300-1500	Operating Plunger
4	#5392	Steel Washer	17	#6737	E Ring .187
5		#6-32 x 3/8" Lg. Type "F" Phillip Hd. Self Tapping Screw	18	#5477	External Lockwasher
6	N24-700X	Coil Complete	19		#8-32 x 3/8" Lg. Type "B" Thumb Screw
7	147-808	Plastic Tubing	20	300-901-A or B	Spring
8	#5427	#8 Split Lockwasher	21	500-805	Adjustable Stop
9		#8-32 x 3/8" Lg. Type "F" Phillip Hd. Self Tapping Screw	22		#6-32 x 3/16" Lg. Sems Unit
10	500-2508	Coil Mtg. Bracket	23	500-801	Cam & Ratchet
11	130-904	Spring	24	500-800-WB	Drum
12	500-804	Holding Pawl	25		#4 x 3/8" Lg. Type "Z" Phillip Hd. Self Tapping Screw
13	300-902	Retaining Spring	26	#6811	Roll Pin
			27	500-802-A	Operating Arm

CHICAGO DYNAMIC INDUSTRIES

PARTS CATALOG

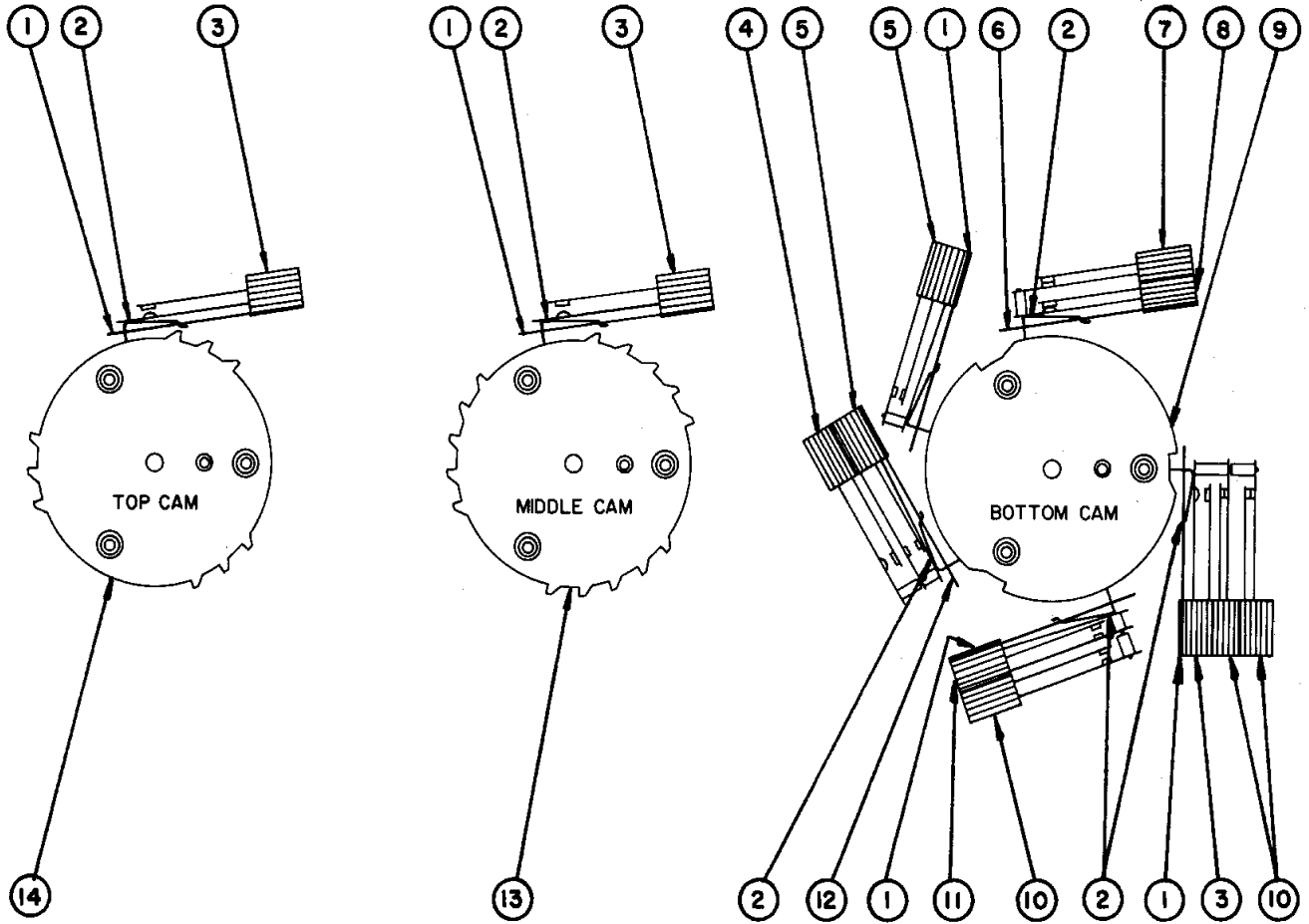




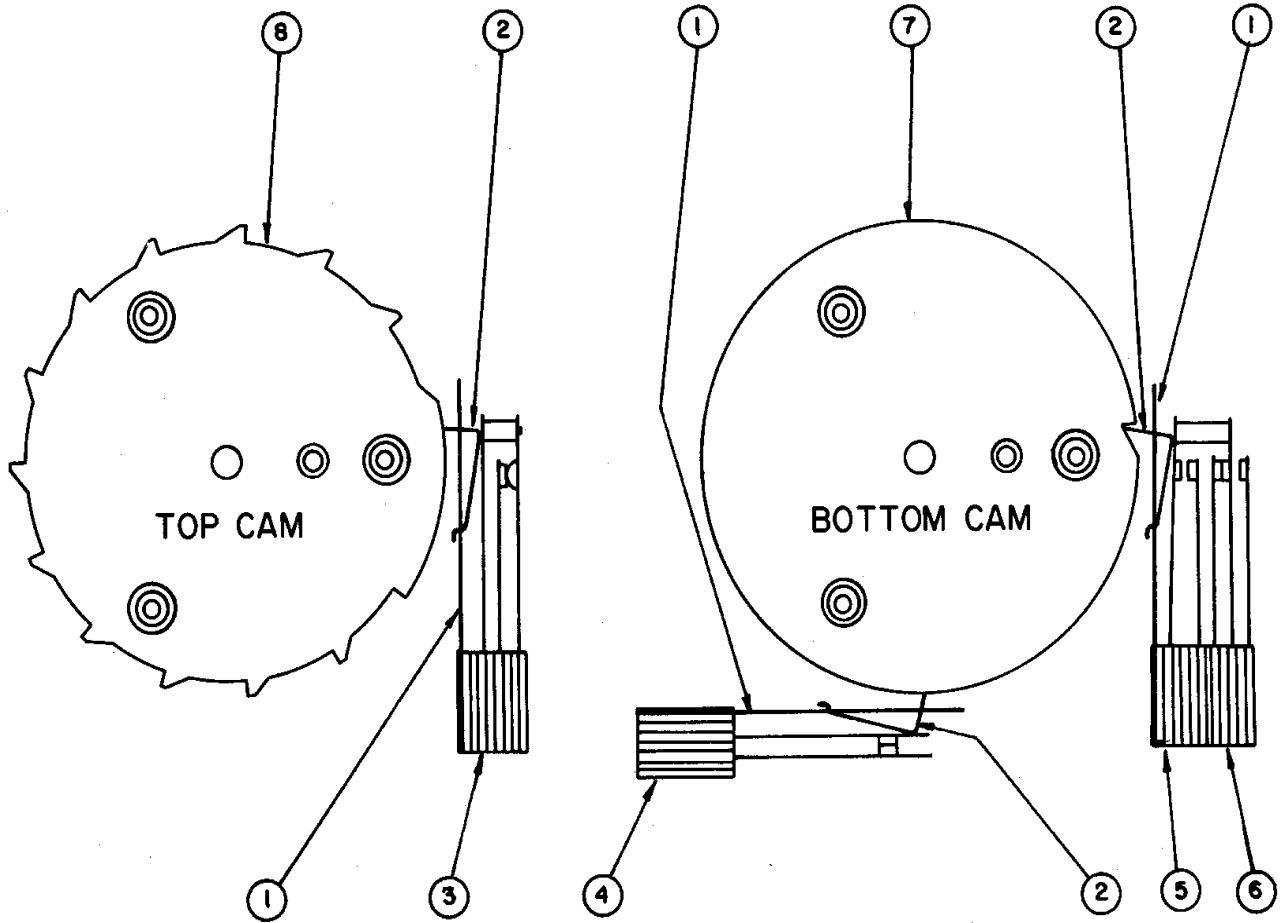
1. #7 PAD
2. COMMON FOR ALL PADS
3. #6 PAD
4. END OF STROKE SWITCH
5. } CIRCUIT FOR RETURNING DRUM
6. } UNIT TO ZERO POSITION
7. #0 PAD
8. #9 PAD
9. #3 PAD
10. #2 PAD
11. #1 PAD
12. #5 PAD
13. } SERIES CIRCUIT ON ALL DRUM UNITS TO
14. } COMPLETE CIRCUIT TO SLIDE BANK RESET RELAY.
15. } TRANSFER CIRCUIT FROM ONE DRUM
16. } UNIT TO ANOTHER IF USED
17. #4 PAD
18. #8.PAD

**CHICAGO DYNAMIC INDUSTRIES**

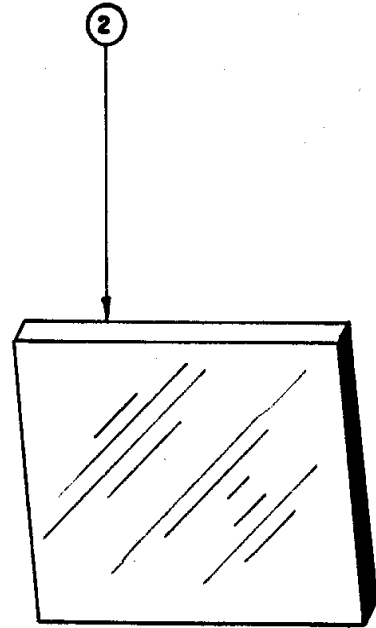
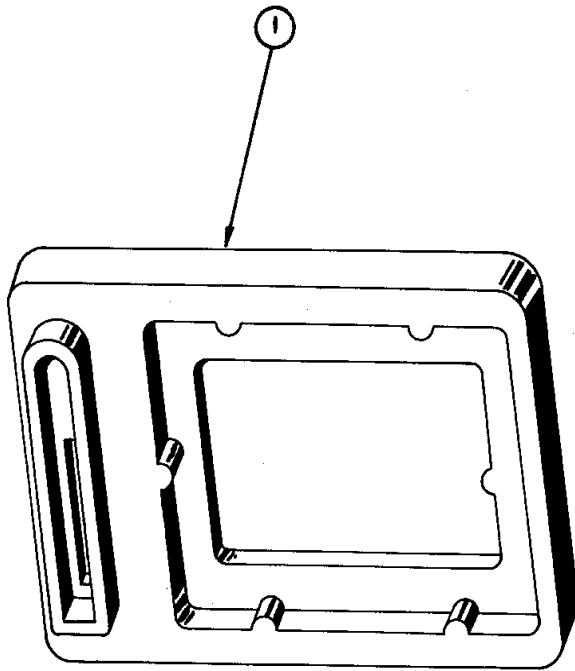
**PARTS CATALOG**



<u>ITEM</u>	<u>PART NO.</u>	<u>DESCRIPTION</u>	<u>ITEM</u>	<u>DESCRIPTION</u>
1	115-501-F	Cam Rider Plate	#5750-1625	Score Reset Motor
2	115-508	Cam Rider	367-2513	Score Reset Motor & Contact Bracket Plate Ass'y.
3	#63	Contact Switch	#5758	Slide On-Off Switch
4	#61-A	Contact Switch		
5	#62-A	Contact Switch		
6	115-501-E	Cam Rider Plate		
7	#326	Contact Switch		
8	#17	Contact Switch		
9	190-572	Plastic Cam		
10	#57	Contact Switch		
11	#62	Contact Switch		
12	115-501-B	Cam Rider Plate		
13	190-518	Plastic Cam		
14	190-581	Plastic Cam		



ITEM	PART NO.	DESCRIPTION	ITEM	DESCRIPTION
1	115-501-F	Cam Rider Plate	5750-1851-B	Timer Motor
2	115-508	Cam Rider	378-565	Timer Motor Mounting Plate
3	60	Contact Switch	378-2557	Contact Switch Bracket Ass'y.
4	17	Contact Switch		
5	17	Contact Switch		
6	234	Contact Switch		
7	190-549-A	Plastic Cam		
8	190-587	Plastic Cam		

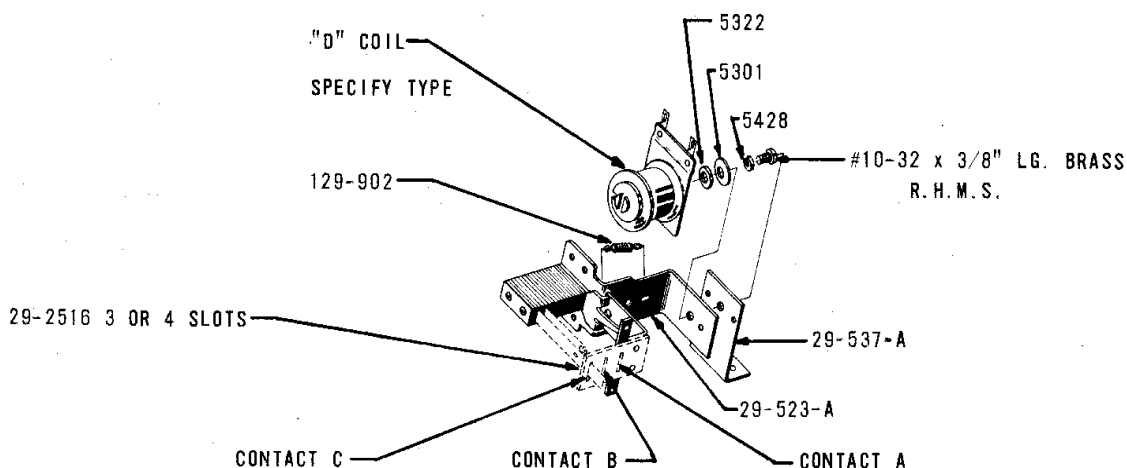


<u>ITEM</u>	<u>PART NO.</u>	<u>DESCRIPTION</u>
1	382-800	Coin Entry Molding (Specify Opening)
2	326-305-A	Coin Denomination Windows (2 Nickels - 1 Play Specify)
	326-305-B	(10¢ - 1 Play)
	326-305-C	(25¢ - 3 Plays)
	326-305-D	(5¢ - 1 Play)
	326-305-E	(25¢ - 5 Plays)
	326-305-F	(25¢ - 6 Plays)
	326-305-G	(10¢ - 2 Plays)
	326-305-H	(3 Nickels - 1 Play)
	326-305-J	(1 Dime & 1 Nickel - 1 Play)
	326-305-K	(1 Quarter - 2 Plays)
	326-306-A	(2 x 10 Pfennig - 1 Play) (German)
	326-306-B	(50 Pfennig - 3 Plays) (German)
	326-306-C	(1 D.M. - 6 Plays) (German)
	326-307-A	(50 Lire - 1 Play) (Italy)
	326-307-B	(100 Lire - 2 Plays) (Italy)
	326-308-A	(2 x 25 Ore - 1 Play) (Swedish)
	326-308-B	(1 Krone - 3 Plays) (Swedish)
	326-308-C	(50 Ore - 1 Play) (Swedish)

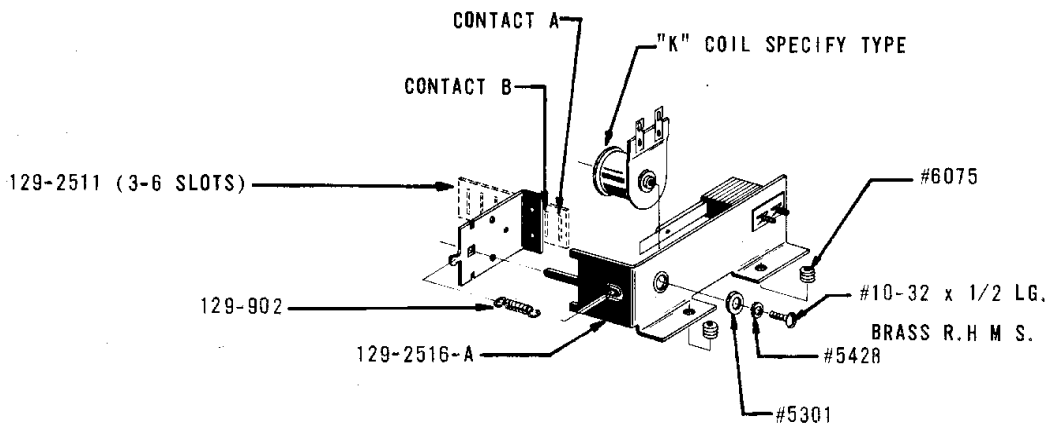
<u>ITEM</u>	<u>PART NO.</u>	<u>DESCRIPTION</u>
	326-309-A	(2 x 10 Yen - 1 Play) (Japanese)
	326-309-B	(50 Yen - 3 Plays) (Japanese)
	326-309-C	(50 Yen - 1 Play) (Japanese)
	326-309-D	(100 Yen - 3 Plays) (Japanese)
	326-310-A	(1/2 Franc - 1 Play) (French)
	326-310-B	(1 Franc - 3 Plays) (French)
	326-310-C	(1 Franc - 4 Plays) (French)
	326-310-D	(1 Franc - 1 Play) (French)
	326-310-E	(2-20 Centimes - 1 Play) (French)
	326-310-F	(100 Franc - 1 Play) (French)
	326-310-G	(50 Centimes - 1 Play) (French)
	326-310-H	(1 Franc - 2 Plays) (French)
	326-311-A	(6d - 1 Play) (British)
	326-311-B	(One Shilling - 1 Play) (British)
	326-311-C	(Two Shillings - 2 Plays) (British)
	326-311-D	(Two Shillings - 4 Plays) (British)
	326-311-E	(One Shilling - 3 Plays) (British)
	326-312-A	(1 Dinar - 2 Plays) (Yugoslavia)
	326-312-B	(50 Para - 1 Play) (Yugoslavia)
	326-312-C	(1 Dinar - 1 Play) (Yugoslavia)
	326-313-A	(1 Spel - 25¢) (Holland)
	326-313-B	(1 Gulden) (4 Spelen) (Holland)
	326-315	(1 Krona - 1 Play) (Swedish)

**CHICAGO DYNAMIC INDUSTRIES**

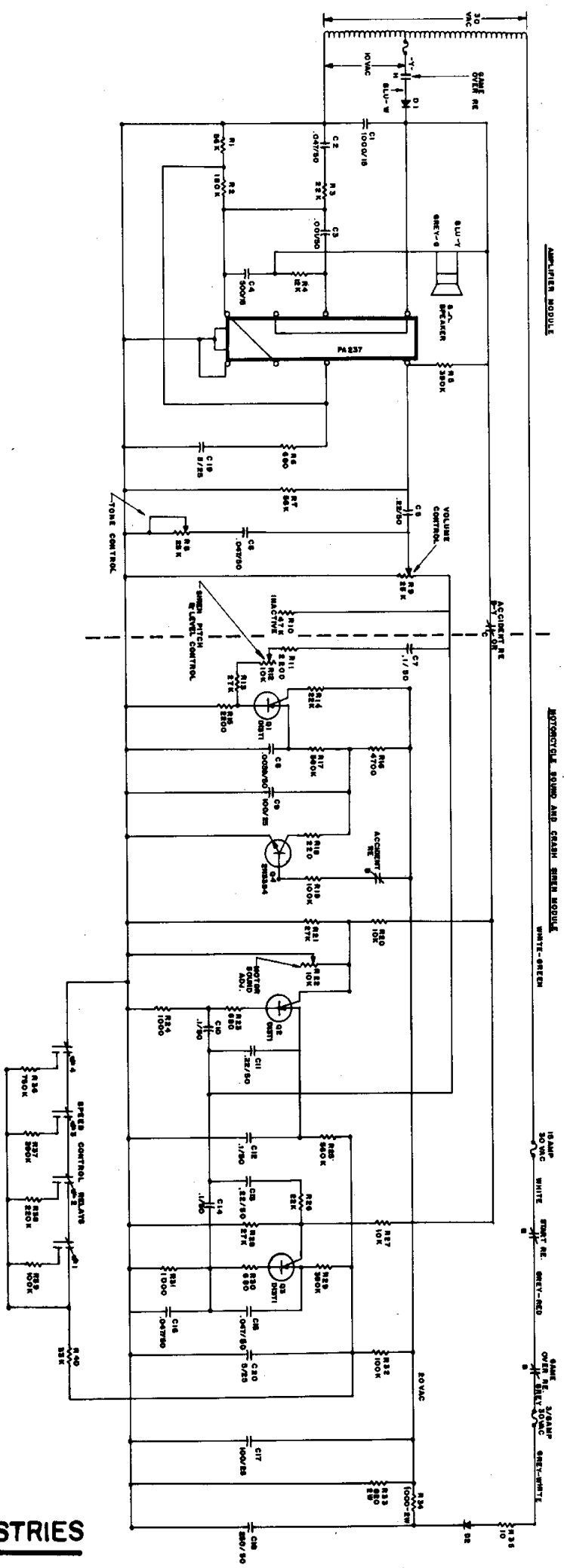
**PARTS CATALOG**

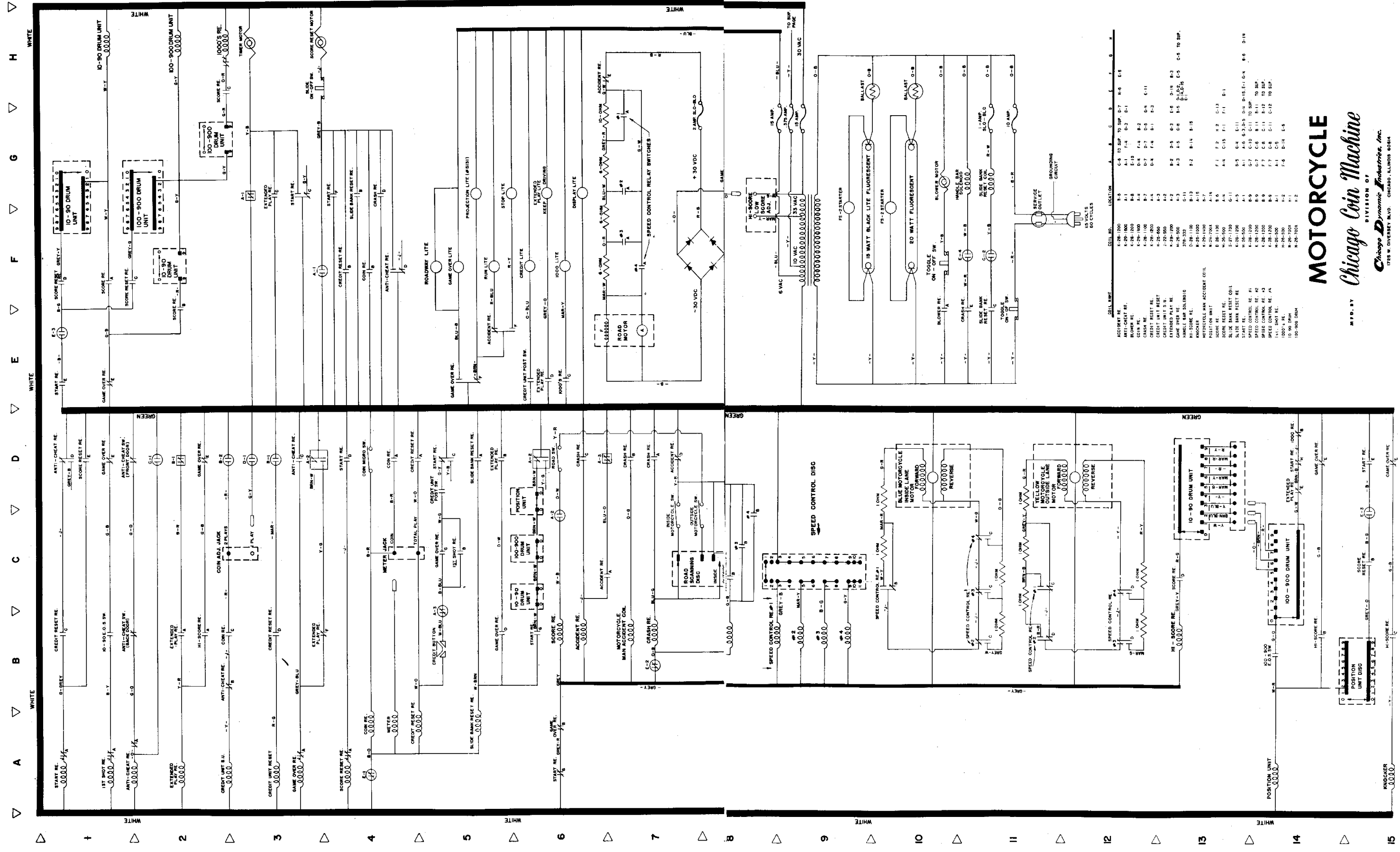


RELAY NAME	COIL	29-2516-3 OR 4 (SLOTS) ARMATURE	CONTACT SWITCHES					
			A	B	C	D	E	F
Hi-Score Re.	D-28-1100	3 Slots	#28	#28	#28			
Score Re.	D-28-1100	4 Slots	#28	#28	#28	#28		



RELAY NAME	COIL	129-2511-3 THRU 6 (SLOTS) ARMATURE	CONTACT SWITCHES					
			A	B	C	D	E	F
Blower Re.	K-28-1200	3 Slots	#48					
Crash Re.	K-28-1100	5 Slots	#27	#26	#26	#26	#43	
Anti-Cheat Re.	K-29-1600	4 Slots	#27	#26	#26	#31		
Credit Reset Re.	K-28-1200	4 Slots	#27	#26	#26	#26		
Coin Re.	K-29-1400	3 Slots	#27	#26	#26			
Accident Re.	K-28-1200	5 Slots	#27	#26	#32	#28	#28	#31
Slide Bank Reset Re.	K-28-1200	3 Slots	#27	#26	#28			
Extended Play Re.	K-28-1200	5 Slots	#27	#26	#34	#26	#26	#26
Speed Control Re. #1	K-28-1200	4 Slots	#28	#31	#31	#31		
Speed Control Re. #2	K-28-1200	5 Slots	#28	#26	#31	#31	#31	
Speed Control Re. #3	K-28-1200	5 Slots	#28	#26	#31	#31	#31	
Speed Control Re. #4	K-28-1200	5 Slots	#28	#26	#31	#31	#31	





COIL NO.	LOCATION
K-28-1200	B-8
K-29-1000	A-1
K-30-1000	A-1
K-31-1000	A-1
K-32-1000	A-1
K-33-1000	A-1
K-34-1000	A-1
K-35-1000	A-1
K-36-1000	A-1
K-37-1000	A-1
K-38-1000	A-1
K-39-1000	A-1
K-40-1000	A-1
K-41-1000	A-1
K-42-1000	A-1
K-43-1000	A-1
K-44-1000	A-1
K-45-1000	A-1
K-46-1000	A-1
K-47-1000	A-1
K-48-1000	A-1
K-49-1000	A-1
K-50-1000	A-1
K-51-1000	A-1
K-52-1000	A-1
K-53-1000	A-1
K-54-1000	A-1
K-55-1000	A-1
K-56-1000	A-1
K-57-1000	A-1
K-58-1000	A-1
K-59-1000	A-1
K-60-1000	A-1
K-61-1000	A-1
K-62-1000	A-1
K-63-1000	A-1
K-64-1000	A-1
K-65-1000	A-1
K-66-1000	A-1
K-67-1000	A-1
K-68-1000	A-1
K-69-1000	A-1
K-70-1000	A-1
K-71-1000	A-1
K-72-1000	A-1
K-73-1000	A-1
K-74-1000	A-1
K-75-1000	A-1
K-76-1000	A-1
K-77-1000	A-1
K-78-1000	A-1
K-79-1000	A-1
K-80-1000	A-1
K-81-1000	A-1
K-82-1000	A-1
K-83-1000	A-1
K-84-1000	A-1
K-85-1000	A-1
K-86-1000	A-1
K-87-1000	A-1
K-88-1000	A-1
K-89-1000	A-1
K-90-1000	A-1
K-91-1000	A-1
K-92-1000	A-1
K-93-1000	A-1
K-94-1000	A-1
K-95-1000	A-1
K-96-1000	A-1
K-97-1000	A-1
K-98-1000	A-1
K-99-1000	A-1
K-100-1000	A-1

**MOTORCYCLE**  
**Chicago Coin Machine**  
 DIVISION OF  
**Chicago Dynamic Industries, Inc.**  
 1725 W. DIVERSEY BLVD. CHICAGO, ILLINOIS 60644

