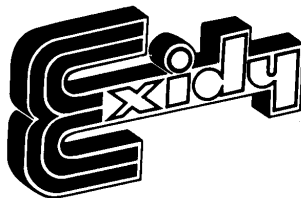


MOUSE TRAPTM

Operation and Service
Manual
3rd Edition



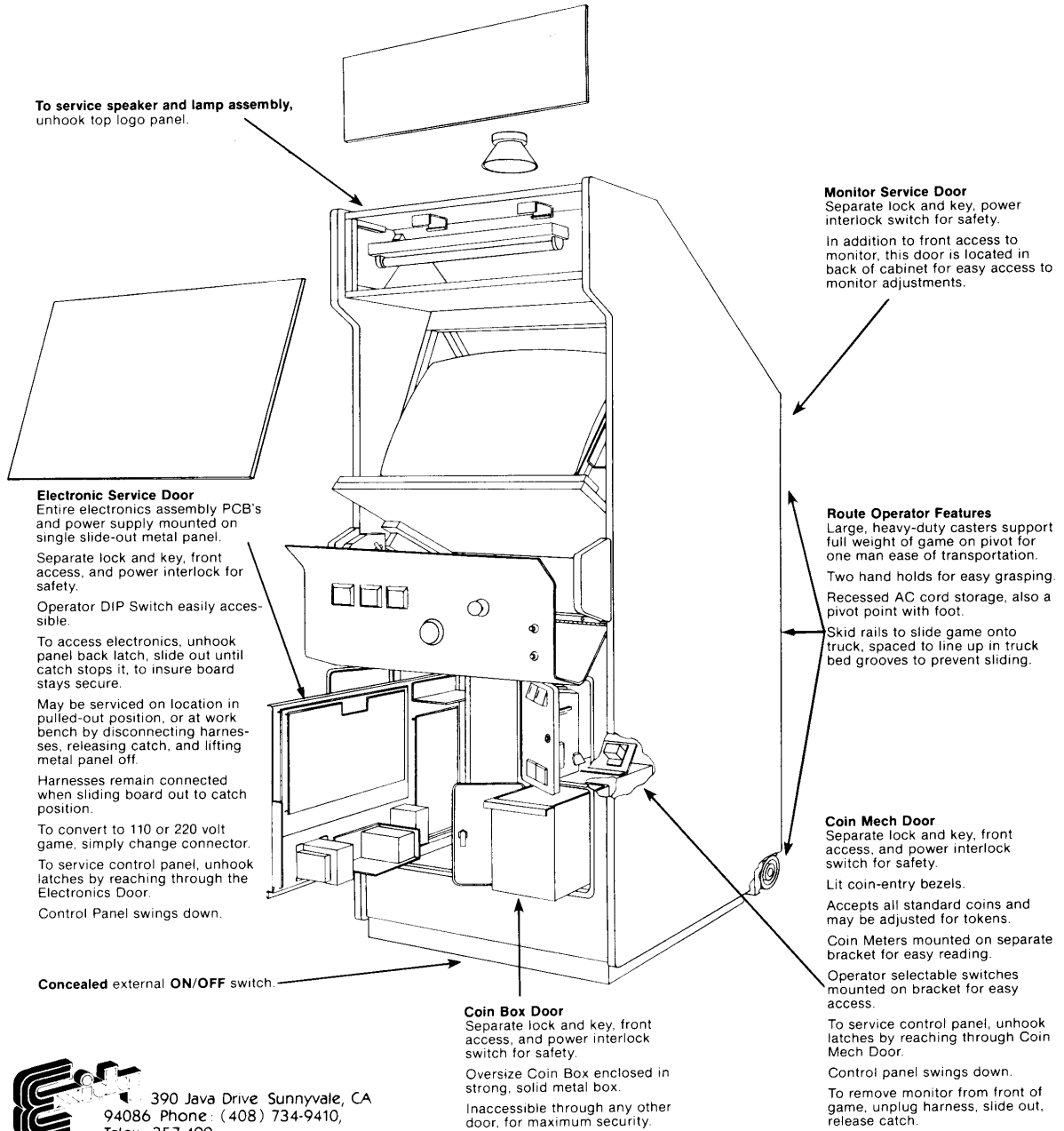
MOUSE TRAP™
Operation and Service Manual
3rd Edition

(c) 1981 Exidy, Inc.
390 Java Drive, Sunnyvale, California 94086-1271
Telephone: (408) 734-9410
Toll-free: (800) 538-8402
Telex: 357-499

INTRODUCING THE EXIDY OPERATOR CONVENIENCE PACKAGE

Exidy's New Operator Convenience Package makes all components accessible through the front of the game. Each door has its own separate

lock and key, securing game service to **capable** hands, and **profits** to the **right** hands!



390 Java Drive Sunnyvale, CA
94086 Phone: (408) 734-9410,
Telex: 357-499.

2.0 ADJUSTMENTS

2.1 POWER SUPPLY ADJUSTMENTS

All DC Power required to operate MOUSE TRAP™ is supplied by the Exidy Power Supply Module.

CAUTION: Only certified technicians should make adjustments on all components of MOUSE TRAP™. AC line voltage selection is available in your MOUSE TRAP™ game by setting the appropriate jumpers on the power chassis. Only the +5v DC is adjustable. This must be adjusted to:

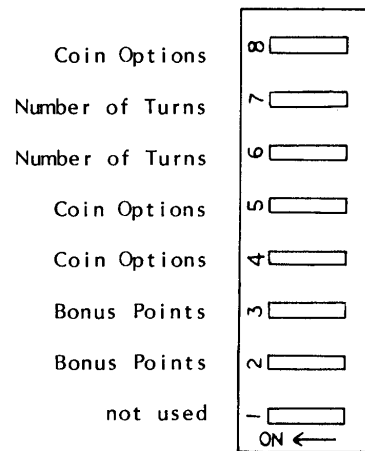
+5.00v DC +/- .25v

as measured on the Logic PCB near the microprocessor (location 2A).

2.2 SELECTABLE OPTIONS

MOUSE TRAP™ has several switch selectable options controlled by an 8-position DIP switch located on the main logic board at position 16A. This switch is accessible through the front electronics door. Simply slide the logic board out and locate the DIP switch on the lower left-hand corner.

The following drawing shows the particular functions controlled by the 8-position DIP switch.



Functions of the 8-position DIP Switch

2.3 SELECTABLE DIP SWITCH SETTINGS

MOUSE TRAP™ is shipped with the dip switch already set for optimum dollar return. Should you decide to change the settings, you may select any of the following options by setting the proper switch accordingly:

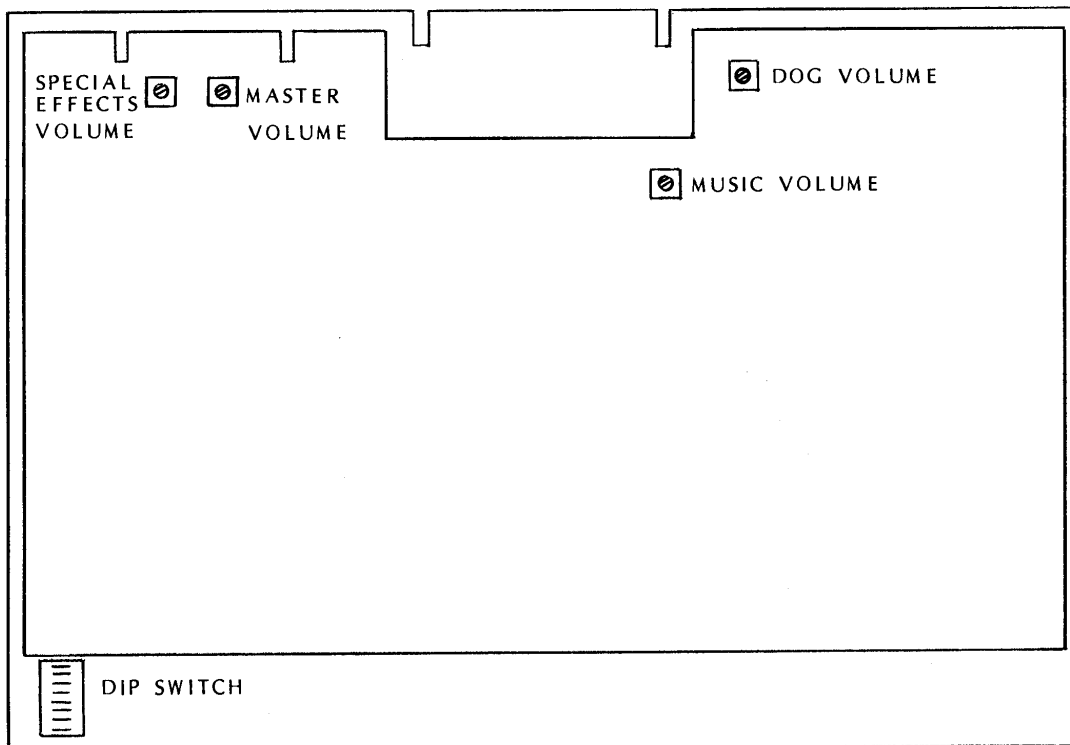
A. COINAGE	Switch 4	Switch 5	Switch 8
1 Coin - 1 Credit	OFF	OFF	OFF
2 Coins- 1 Credit	OFF	ON	OFF
1 Coin - 2 Credits	ON	OFF	OFF
1 Coin - 4 Credits	ON	ON	OFF
1 Coin - 3 Credits or 2 Coins- 7 Credits	OFF	ON	ON
1 Coin in Left Slot- 1 Credit 1 Coin in Right Slot- 5 Credits	OFF	OFF	ON
One Coin in Left Slot- 1 Credit 1 Coin in Right Slot- 4 Credits	ON	OFF	ON
Two Coins in Left Slot- 1 Credit 1 Coin in Right Slot- 3 Credits	ON	ON	ON

B. NUMBER OF TURNS	Switch 6	Switch 7
2 turns	OFF	OFF
3 turns	ON	OFF
4 turns	OFF	ON
5 turns	ON	ON

E. BONUS TURN (Extra turn awarded when selectable number of points are made).	Switch 2	Switch 3
Extra turn for 30,000 points	OFF	OFF
40,000	ON	OFF
50,000	OFF	ON
60,000	ON	ON

2.4 AUDIO BOARD ADJUSTMENTS

The illustration that follows points out the four audio adjustments and the location of the DIP switch. The audio board rides piggyback on the logic board, mounted on the left wall of the game, when viewed from the front service door.



3.0 SELF DIAGNOSTIC TESTS

MOUSE TRAP™ has two diagnostic test modes. The first mode, the Logic/Audio Diagnostic Test Mode, checks the RAM and ROM chips on the Logic Board, and simultaneously checks the Audio Board. This test mode is the normal self-test mode and is automatically performed when MOUSE TRAP™ is first turned on. The second mode tests the Controls and Color only. To run this test, activate the coin switch while powering up. We will explain both of these modes in full detail.

You may bypass both diagnostic modes by depressing either player one or player two start button while powering up. After 8 seconds of the message "STAND BY VERSION X", (where X is a number) the Attract Mode appears.

3.1 LOGIC/AUDIO DIAGNOSTIC TEST MODE

The RAM Test

When MOUSE TRAP™ is first turned on, a processor and video RAM test is done. If the RAM passes, it goes immediately into the ROM test, without a message indicating it passed the RAM test.

If a RAM chip fails, an attempt is made to indicate the RAM chip where a failure was detected. Since the screen depends on a properly functioning RAM, this indication may not be displayed. A failed RAM may be indicated by a digit from 0 to 7 in every position on the screen using four colors. The code for these digits is as follows:

Number on Screen	RAM chip to check	
0	5A	Processor RAM
1	4A	failure
2	8B	Screen RAM
3	7B	failure
4	11C	
5	13C	Video RAM
6	12C	failure
7	14C	

The RAM test cycles if the failure is persistent.

The ROM Test

If the RAM test passes, the ROM test begins. The message STAND BY VERSION X appears on the screen (where X is a number). One by one, exclamation points (!) appear on the screen. Each exclamation mark indicates half (2K) of a ROM board chip, numbered 6A through 13A, has passed the diagnostic test. After all marks appear, the game then goes into the Attract Mode, indicating all is well.

If any failure is detected during the ROM test, a hex digit appears instead of an exclamation point with a "BAD ROM" message at the top of the screen. The test repeats indefinitely if a bad ROM is encountered. The key for which chip to check is as follows:

Message: ROM Chip to check:

0	lower 2K of 11A
1	upper 2K of 11A
2	lower 2K of 10A
3	upper 2K of 10A
4	lower 2K of 9A
5	upper 2K of 9A
6	lower 2K of 8A
7	upper 2K of 8A
8	lower 2K of 7A
9	upper 2K of 7A
A	lower 2K of 6A
B	upper 2K of 6A

The Audio Test

While the Logic tests are underway, the Audio board is also being checked.

Five seconds after power on, one or more quick beeps, like an organ chord, are heard. This is part of the Exidy Audio Diagnostic Test. The number of beeps that sound indicate different conditions of the Audio board.

The following code is an indication **only**, of where to first check the Audio Board. Because this diagnostic test only evaluates certain components, other circuitry is relied upon for the test. Should this other circuitry fail, the diagnostic test may not, then, point directly to the failure. Please use the results of this test as a guideline for further troubleshooting.

The code is as follows:

- 0 beep: If no beeps are heard, along with a hum or random notes, this may indicate a failure in 3A and/or 7A.
- 1 beep: All audio hardware is OK. However, be sure to check the Attract Mode Cycle anyway for a possible message to check the Audio Board. In occasional instances, this can occur. The message will further direct you.
- 2 beeps: ZERO PAGE RAM failure. Check 6532 RAM I.O. Timer Array at location 7B on the board.
- 3 beeps: (will not occur)
- 4 beeps: ROM failure
- 5 beeps: INTERRUPT failure. Check 6532 at location 7B.

In addition, this message appears during power up **only** if the Audio Board needs to be checked:

AUDIO SELF TEST ERROR

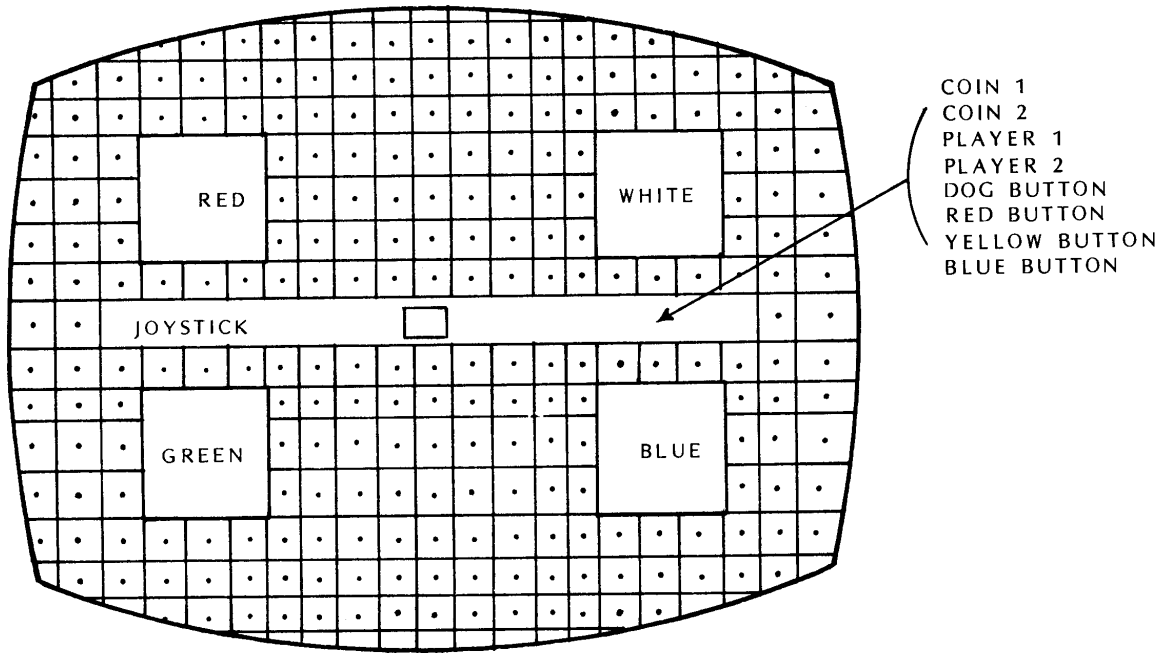
or

AUDIO COMMUNICATION ERROR

3.2 CONTROL AND COLOR TEST MODE

If desired, you may test all player controls and screen colors. To do so, activate either coin switch at power-up. The game then enters the Control/Color Test Mode. This mode lasts for seven minutes to give you time to test and make adjustments. After that, the Attract Mode begins.

In the Control/Color Test Mode, the screen shows this pattern:



The grid pattern tests your screen for any distortion or convergence.

The solid blocks of color (red, white, green, and blue) allow you to adjust the color. When any player control (player 1 start, player 2 start, or red, blue, yellow, or Dog button) or coin switch (coin 1 or coin 2) is activated, its name appears below the white box. This shows that the switch connection is proper. When the joystick is activated, the message Joystick appears below the red box. Also, in the middle of the screen, a square indicates the joystick direction.

4.0 NORMAL OPERATION

4.1 ATTRACT MODE

After the MOUSE TRAP™ is powered up and the self- diagnostic test is performed, the Attract Mode starts up, showing the following messages:

MOUSETRAP™

CREDITS 00

ONE COIN FOR ONE CREDIT

ONE CREDIT FOR ONE PLAYER
TWO CREDITS FOR TWO PLAYERS

EXIDY

(P) COPYRIGHT 1981 (C)

The number of coins or any currency per game is operator selectable and the message will reflect that choice.

MOUSETRAP HALL OF FAME

LWH	49720	INCREDIBLE
DJS	47340	FABULOUS
VIC	44130	GREAT
MRK	37830	SUPER
HAI	25650	GOOD

JOIN THE MOUSETRAP HALL OF FAME
BY ENTERING YOUR INITIALS
FOR A HIGH SCORE

At power up, this Hall of Fame contains fictitious high scores. The first player to exceed the lowest score may enter his score and initials. The Hall of Fame will show the high player's score until power is turned off, and then the fictitious scores reappear.

The following game instructions appear, in pictorial form:

MOUSE EATS CHEESE, BONES, TREASURES

DOG EATS CAT, CHEESE, BONES, TREASURES

CAT EATS MOUSE

HAWK EATS MOUSE AND DOG

IN MAKES HAWK STUPID

BONE TURNS MOUSE INTO DOG
WHEN YOU USE THE DOG BUTTON

A few seconds of game play is then shown and the Attract Mode cycle begins again.

4.2 Game Play

Despite many cats on the prowl, the player steers a mouse through a playfield of halls where the mouse chomps cheese for points and finds other red prizes for bonus value.

The mouse searches out dog bones which are accumulated at the top of the screen. Each bone allows the mouse to become a ferocious dog when the "dog button" on the control panel is pressed. Now the player is the aggressor, and cats are open game for additional points of escalating value. After several seconds, the red dog begins blinking blue. This warns that his power is wearing off and he'll soon be a mere mouse again.

When all the cheese morsels on one level are eaten up, the player is given another game field with more challenge.

Randomly, a purple hawk flies over the walls in search of a delicious mouse or dog. The player's only defense is to enter the secret passage marked "in" at the center of the screen. This quickly transports the mouse or dog through an unseen tunnel to one of the four corners. This tactic makes the hawk "dumb", or aimless in his flight. The mouse or dog can then escape the hawk.

The player has the added strategy of doors to open and shut to his advantage. At the touch of a button, the player may open or close three colors of doors. By closing a door, the mouse can block a cat's advance. Or, when the mouse turns into a dog, the skilled player can use the doors to trap cats, earning additional points of escalating value for each one overtaken.

4.3 BONUS TURN FEATURE

An extra turn is given to a player everytime he scores 30,000, 40,000, 50,000, or 60,000 (operator selectable) points. A good player may rack up any number of bonus turns throughout a game, but the screen does not display more than five.

4.4 ENTERING THE MOUSE TRAP™ HALL OF FAME

Anytime a player's score exceeds one of the five current high scores, he is eligible to enter his initials in the Vanity Table. If both players of a two player game are record high scorers, the highest of the two is first invited to enter his initials. To do so, he directs the mouse around an alphabet chart with the joystick. Once on the letter desired, he hits the DOG button. The RUB feature allows a player to erase mistaken letters. Once the correct initials are keyed in, the player should go to END, and hit the DOG button. This will log in his initials, and return to the next mode.

The Hall of Fame Mode runs on a timer. If a player does not enter his or her initials, the Attract Mode eventually takes over.

LOGIC BOARD ASSEMBLY PARTS LIST

PART NUMBER	DESCRIPTION
177-3391-14	Logic PCB Assembly
77-3391-14	Logic PCB
58-0002-00	Spacer
100-0005-00	Ribbon Cable Assembly
22-0001-02	I.C. 74LS00
22-0002-02	I.C. 74LS02
22-0003-02	I.C. 74LS04
22-0004-00	I.C. 7407
22-0005-02	I.C. 74LS08
22-0006-02	I.C. 74LS11
22-0007-02	I.C. 74LS20
22-0008-02	I.C. 74LS21
22-0009-02	I.C. 74LS27
22-0010-02	I.C. 74LS32
22-0011-02	I.C. 74LS74
22-0012-02	I.C. 74LS112
22-0013-02	I.C. 74LS138
22-0214-02	I.C. 74LS139
22-0015-02	I.C. 74LS157
22-0016-02	I.C. 74LS161
22-0017-02	I.C. 74LS166
22-0018-02	I.C. 74LS193
22-0019-02	I.C. 74LS241
22-0020-02	I.C. 74LS245
22-0021-02	I.C. 74LS374
25-0001-00	I.C. MICROPROCESSOR 6502A
23-0001-00	6301 PROM
23-0002-00	6331 PROM
23-0003-00	6331 PROM
20-0001-00	IN4002 DIODE
02-4712-00	RESISTOR, 470 OHM 1/4W 5%
02-1222-00	RESISTOR, 1.2K 1/4W 5%
02-2222-00	RESISTOR, 2.2K 1/4W 5%
02-3322-00	RESISTOR, 3.3K 1/4W 5%
09-2212-00	RESISTOR, 220 OHM 1/8W 5% 10 PIN SIP
09-2222-00	REISTOR, 2.2K 1/8W 5% 10 PIN SIP
09-4722-00	RESISTOR, 4.7K 1/8W 5% 10 PIN SIP
09-6822-00	RESISTOR, 6.8K 1/8W 5% 10 PIN SIP
10-1034-1	CAPACITOR, .01 UF CERAMIC DISC
10-1044-1	CAPACITOR, .1 UF CERAMIC DISC
11-6853-0	CAPACITOR, 6.8 UF 25V DIPTANT
13-4775-0	CAPACITOR, 470UF 10V ELECTROLYTIC
47-0001-00	DIPSHUNT JUMPER PAKS 16 PIN
49-5002-00	DIP SWITCH 8 POSITION
29-0001-00	CRYSTAL 11.289MHZ (SERIES)
44-1601-00	DIP SOCKETS 16 PIN LOW PROFILE
44-2401-00	DIP SOCKETS 24 PIN LOW PROFILE
44-4001-00	DIPSOCKETS 40 PIN LOW PROFILE
44-1401-00	DIP SOCKETS 14 PIN LOW PROFILE
44-1801-00	DIP SOCKETS 18 PIN LOW PROFILE
11-1053-00	CAPACITOR 1UF 25V DIPTANT
02-2212-00	RESISTOR, 220 OHM 1/4W 5%

LOGIC BOARD ASSEMBLY PARTS LIST (continued)

PART NUMBER	DESCRIPTION
02-1802-00	RESISTOR, 18 OHM 1/4W 5%
10-3314-4	CAPACITOR, 330PF CERAMIC DISC
02-4732-00	RESISTOR, 47K
11-1063-00	10UF 16V DIPTANT
23-0004-00	2732, EPROM
23-0005-00	2716, EPROM
23-0006-00	2114 STATIC RAM
02-1822-00	RESISTOR, 1.8K 1/4W 5%
02-2272-00	RESISTOR, 2.7K 1/4W 5%
02-1052-00	RESISTOR, 1M 1/4W 5%
27-0003-00	I.C., OSC NE555
20-0006-00	DIODE, 4454
23-0014-00	2732, EPROM
23-0015-00	2732, EPROM
23-0016-00	2732, EPROM
23-0017-00	2732, EPROM
23-0018-00	2732, EPROM

AUDIO/COLOR BOARD ASSEMBLY

PART NUMBER	DESCRIPTION
177-3392-14	AUDIO/COLOR PCB ASSEMBLY
77-3392-14	AUDIO/COLOR PCB
22-0013-00	I.C. 74LS138
26-0001-00	I.C. 6520-A
22-0023-00	I.C. 4069
22-0003-02	I.C. 74LS04
22-0001-02	I.C. 74LS00
22-0021-02	I.C. 74LS374
22-0024-00	I.C. 4053
22-0025-00	I.C. 4175
22-0011-02	I.C. 74LS74
22-0026-00	I.C. LM324
22-0027-02	I.C. 74LS86
22-0028-00	I.C. 4051
22-0014-02	I.C. 74LS139
22-0029-02	I.C. 74LS148
22-0030-02	I.C. 74LS151
22-0031-02	I.C. 74LS174
10-1044-1	CAPACITOR, .1 UF CERAMIC
10-2204-1	CAPACITOR, 22PF 16V CERAMIC
10-1034-1	CAPACITOR, .01UF 16V CERAMIC
13-3365-1	CAPACITOR, 33UF 25V ELECTROLYTIC
13-1075-00	CAPACITOR, 100UF 16V ELECTROLYTIC
13-4755-00	CAPACITOR, 4.7UF 16V ELECTROLYTIC
02-3332-00	RESISTOR, 33K 1/4W 5%
02-3322-00	RESISTOR, 3.3K 1/4W 5%
02-1062-00	RESISTOR, 10M 1/4W 5%
02-3012-00	RESISTOR, 300 OHM 1/4W 5%
02-1802-00	RESISTOR, 18 1/4W 5%
02-2232-00	RESISTOR, 22K 1/4W 5%
02-2722-00	RESISTOR, 2.7K 1/4W 5%

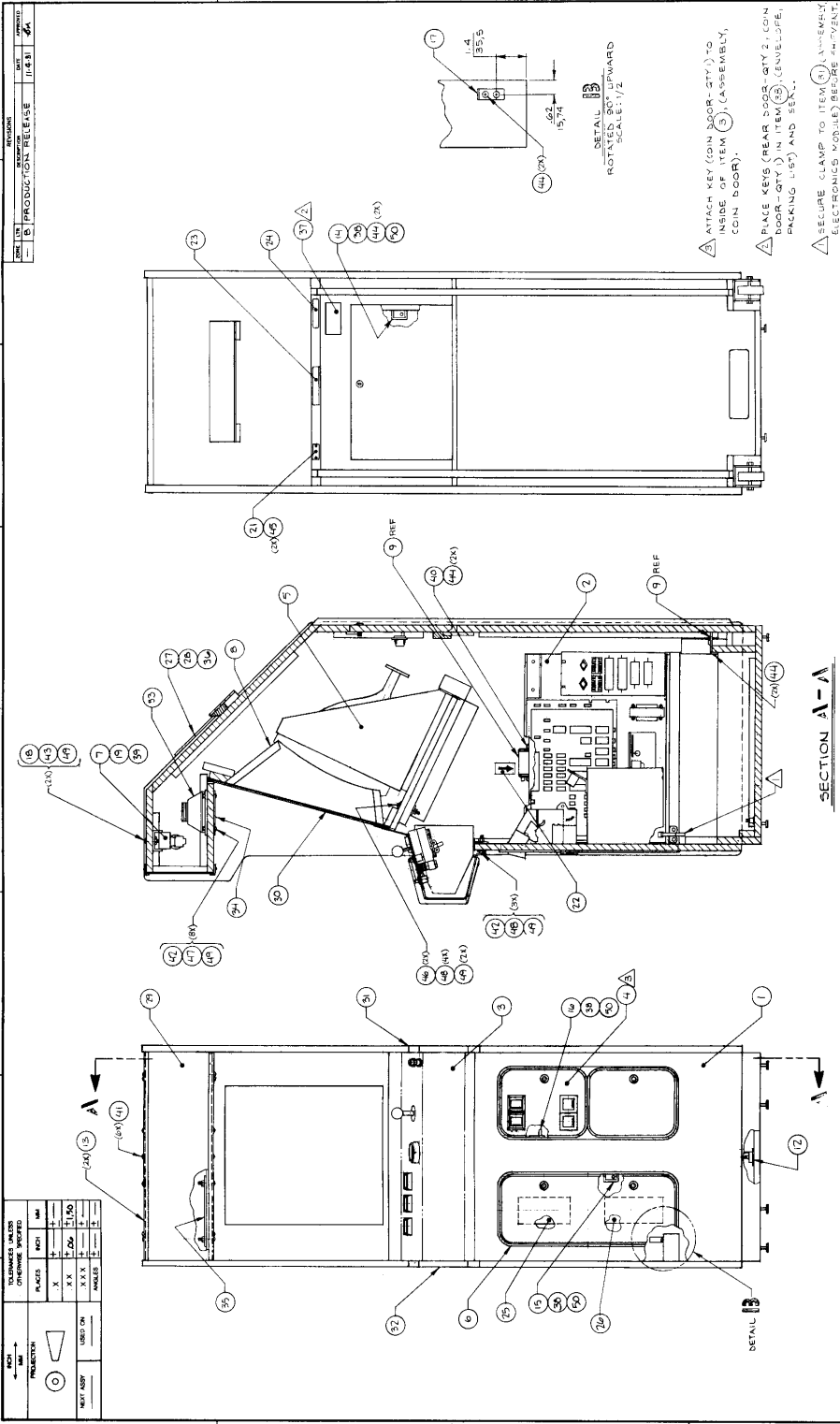
AUDIO/COLOR BOARD ASSEMBLY (continued)

PART NUMBER	DESCRIPTION
02-1322-00	RESISTOR, 1.3K 1/4W 5%
02-6812-00	RESISTOR, 680 OHM 1/4W 5%
02-3312-00	RESISTOR, 330 OHM 1/4W 5%
02-1612-00	RESISTOR, 160 OHM 1/4W 5%
02-8202-00	RESISTOR, 82 OHM 1/4W 5%
02-3902-00	RESISTOR, 39 OHM 1/4W 5%
02-1032-00	RESISTOR, 10K 1/4W 5%
07-1034-00	10K POT
29-0002-00	3.579545 MHZ CRYSTAL
47-0001-00	16 PIN DIP SHUNT
44-1401-00	14 PIN DIP SOCKET
44-2401-00	24 PIN DIP SOCKET
44-2801-00	28 PIN DIP SOCKET
44-4001-00	40 PIN DIP SOCKET
44-1601-00	16 PIN DIP SOCKET
02-4712-00	RESISTOR, 470 OHM 1/4
02-2422-00	RESISTOR, 2.4K 1/4W
02-2032-00	RESISTOR, 20K 1/4W
02-1832-00	RESISTOR, 18K 1/4W
02-3922-00	RESISTOR, 3.9K 1/4W
02-2452-00	RESISTOR, 2.4M 1/4W
22-0039-00	I.C. 74LS42
23-0007-00	2732 EPROM
23-0008-00	2732 EPROM
23-0009-00	2732 EPROM
10-2034-01	CAPACITOR .02 uf CER.
23-0010-00	2732 EPROM
27-0003-00	NE555 OSC.
22-0033-00	TL081 OP/AMP
27-0004-00	MC3417L DELTA MOD
22-0034-00	4006 CMOS SHIFT REG.
40-0003-00	6 PIN MALE CONNECTOR .156 CENTER
22-0037-00	I.C. 74LS125
22-0015-00	I.C. 74LS157
22-0010-00	I.C. 74LS32
22-0038-00	I.C. 74LS367
25-0003-00	Z80 CPU
22-0035-00	4070 CMOS EXC. OR GATE
22-0036-00	LM741EN OP/AMP
02-5643-01	RESISTOR, .560K OHM 1/4W
84-0014-00	HEATSINK, THM6045
14-2044-00	CAPACITOR, MYLAR .2UF 16V
10-1024-00	CAPACITOR, CERAMIC .001UF 16V
09-0001-00	RESISTOR, 1.8K SIP PAC 8 PIN
09-0002-00	RESISTOR, 4.7K SIP PAC 8 PIN
21-0001-00	NPN TRANSISTOR TIP 120
21-0002-00	PNP TRANSISTOR, TIP 125
10-5024-01	CAPACITOR, MYLAR .0022 UF
14-2224-00	CAPACITOR, MYLAR .0022 uf
23-0011-00	2716, EPROM
23-0012-00	2716, EPROM
23-0013-00	2716, EPROM

AUDIO/COLOR BOARD ASSEMBLY (continued)

PART NUMBER	DESCRIPTION
13-3355-01	CAPACITOR .33 uf 16V ELECTROLYTIC
40-0004-00	CONNECTOR, PCB MALE
25-0002-00	I.C. 6532
25-0004-00	I.C. 6502
27-0001-00	I.C. 6840
22-0022-02	I.C. 74LS154
27-0002-00	I.C. 8253

DIMENSIONS UNLESS OTHERWISE SPECIFIED	
INCH	MILLIMETER
FRONT VIEW	FRONT VIEW
TOP VIEW	TOP VIEW
RIGHT SIDE VIEW	RIGHT SIDE VIEW
LEFT SIDE VIEW	LEFT SIDE VIEW
ISOMETRIC VIEW	ISOMETRIC VIEW
SECTION A-A	SECTION A-A
SECTION B-B	SECTION B-B
SECTION C-C	SECTION C-C
SECTION D-D	SECTION D-D
SECTION E-E	SECTION E-E
SECTION F-F	SECTION F-F
SECTION G-G	SECTION G-G
SECTION H-H	SECTION H-H
SECTION I-I	SECTION I-I
SECTION J-J	SECTION J-J
SECTION K-K	SECTION K-K
SECTION L-L	SECTION L-L
SECTION M-M	SECTION M-M
SECTION N-N	SECTION N-N
SECTION O-O	SECTION O-O
SECTION P-P	SECTION P-P
SECTION Q-Q	SECTION Q-Q
SECTION R-R	SECTION R-R
SECTION S-S	SECTION S-S
SECTION T-T	SECTION T-T
SECTION U-U	SECTION U-U
SECTION V-V	SECTION V-V
SECTION W-W	SECTION W-W
SECTION X-X	SECTION X-X
SECTION Y-Y	SECTION Y-Y
SECTION Z-Z	SECTION Z-Z
SECTION AA-AA	SECTION AA-AA
SECTION BB-BB	SECTION BB-BB
SECTION CC-CC	SECTION CC-CC
SECTION DD-DD	SECTION DD-DD
SECTION EE-EE	SECTION EE-EE
SECTION FF-FF	SECTION FF-FF
SECTION GG-GG	SECTION GG-GG
SECTION HH-HH	SECTION HH-HH
SECTION II-II	SECTION II-II
SECTION JJ-JJ	SECTION JJ-JJ
SECTION KK-KK	SECTION KK-KK
SECTION LL-LL	SECTION LL-LL
SECTION MM-MM	SECTION MM-MM
SECTION NN-NN	SECTION NN-NN
SECTION OO-OO	SECTION OO-OO
SECTION PP-PP	SECTION PP-PP
SECTION QQ-QQ	SECTION QQ-QQ
SECTION RR-RR	SECTION RR-RR
SECTION SS-SS	SECTION SS-SS
SECTION TT-TT	SECTION TT-TT
SECTION UU-UU	SECTION UU-UU
SECTION VV-VV	SECTION VV-VV
SECTION WW-WW	SECTION WW-WW
SECTION XX-XX	SECTION XX-XX
SECTION YY-YY	SECTION YY-YY
SECTION ZZ-ZZ	SECTION ZZ-ZZ
SECTION AA-AA	SECTION AA-AA
SECTION BB-BB	SECTION BB-BB
SECTION CC-CC	SECTION CC-CC
SECTION DD-DD	SECTION DD-DD
SECTION EE-EE	SECTION EE-EE
SECTION FF-FF	SECTION FF-FF
SECTION GG-GG	SECTION GG-GG
SECTION HH-HH	SECTION HH-HH
SECTION II-II	SECTION II-II
SECTION JJ-JJ	SECTION JJ-JJ
SECTION KK-KK	SECTION KK-KK
SECTION LL-LL	SECTION LL-LL
SECTION MM-MM	SECTION MM-MM
SECTION NN-NN	SECTION NN-NN
SECTION OO-OO	SECTION OO-OO
SECTION PP-PP	SECTION PP-PP
SECTION QQ-QQ	SECTION QQ-QQ
SECTION RR-RR	SECTION RR-RR
SECTION SS-SS	SECTION SS-SS
SECTION TT-TT	SECTION TT-TT
SECTION UU-UU	SECTION UU-UU
SECTION VV-VV	SECTION VV-VV
SECTION WW-WW	SECTION WW-WW
SECTION XX-XX	SECTION XX-XX
SECTION YY-YY	SECTION YY-YY
SECTION ZZ-ZZ	SECTION ZZ-ZZ



SECTION A-A

SCALE: 1/2" = 1'-0"

DATE: 11/83

DESIGNER: VICTOR MARTINO

CHECKED: [Signature]

APPROVED: [Signature]

PROJECT: [Blank]

DESCRIPTION: [Blank]

REV: 2

DATE: 11/83

BY: [Blank]

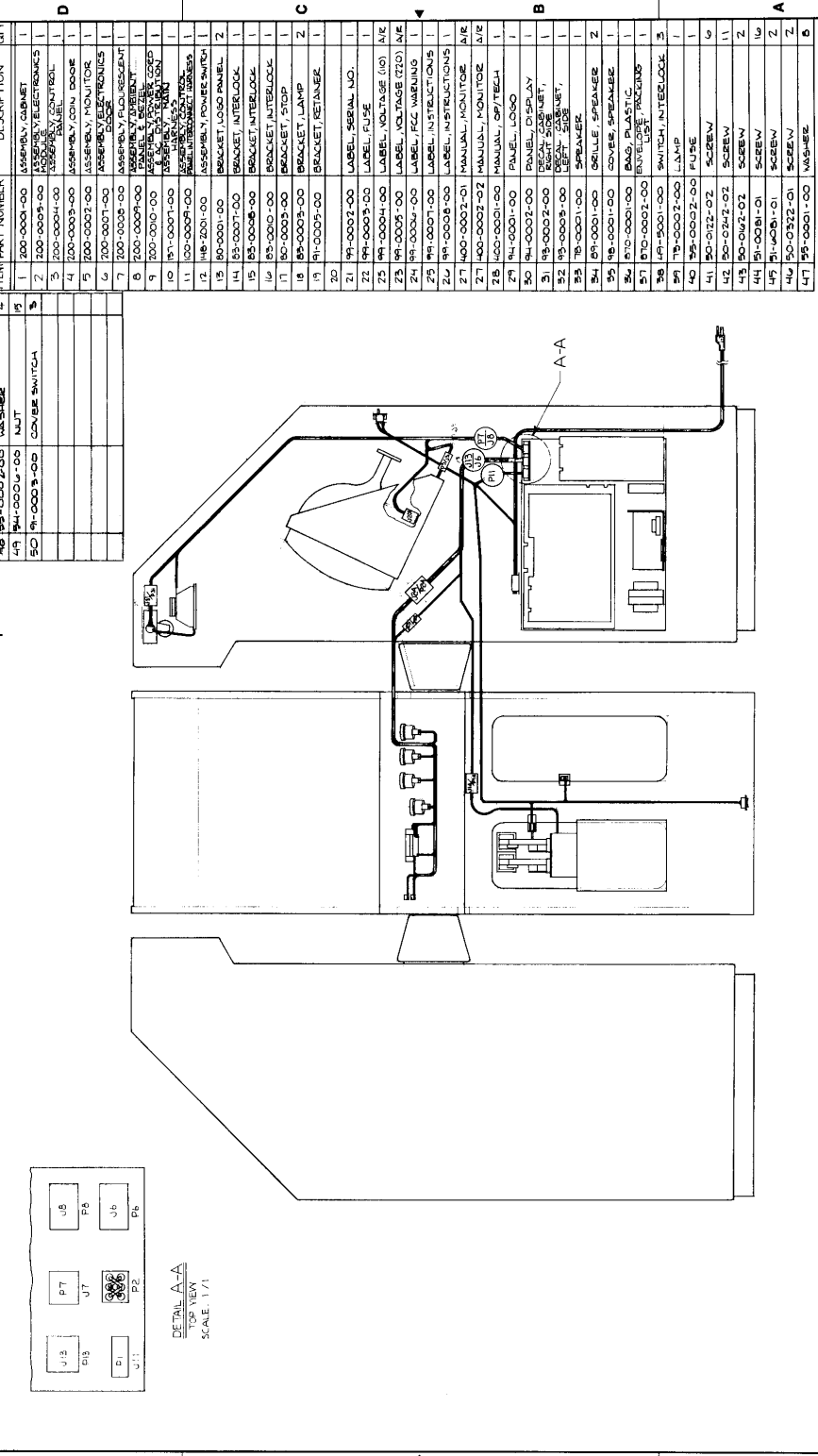
300-0001-00

ASSEMBLY, FINAL

300-0001-00

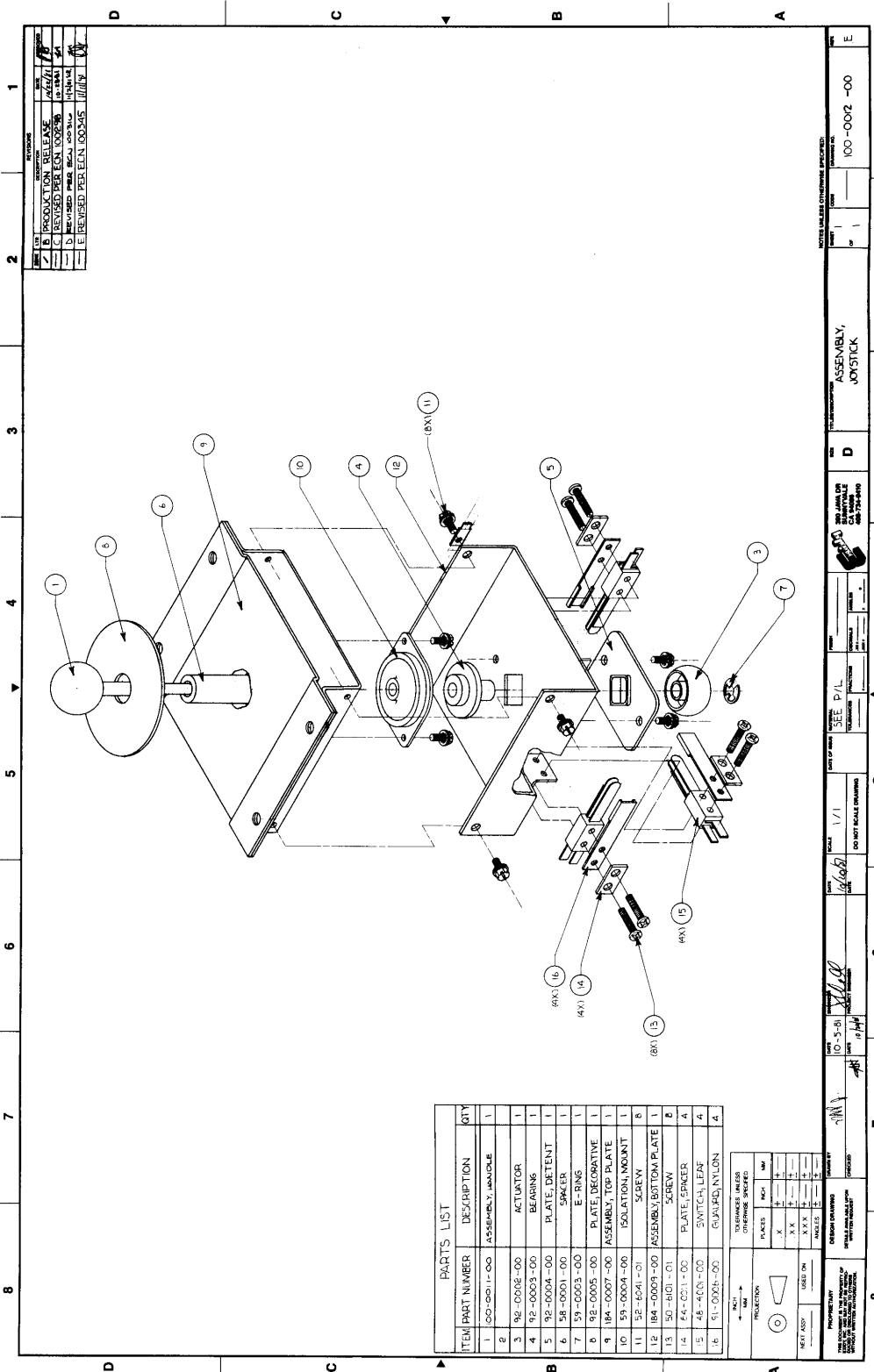
11/83

ITEM	PART NUMBER	DESCRIPTION	QTY
1	200-0001-00	ASSEMBLY, CABINET	1
2	200-0002-00	ASSEMBLY, ELECTRICALS	1
3	200-0003-00	ASSEMBLY, CONTROL PANEL	1
4	200-0004-00	ASSEMBLY, COIN DOOR	1
5	200-0005-00	ASSEMBLY, MONITOR	1
6	200-0006-00	ASSEMBLY, FLUORESCENT LIGHT	1
7	200-0007-00	ASSEMBLY, FLUORESCENT LIGHT	1
8	200-0008-00	ASSEMBLY, FLUORESCENT LIGHT	1
9	200-0009-00	ASSEMBLY, FLUORESCENT LIGHT	1
10	200-0010-00	ASSEMBLY, FLUORESCENT LIGHT	1
11	200-0011-00	ASSEMBLY, FLUORESCENT LIGHT	1
12	200-0012-00	ASSEMBLY, FLUORESCENT LIGHT	1
13	200-0013-00	ASSEMBLY, FLUORESCENT LIGHT	1
14	200-0014-00	ASSEMBLY, FLUORESCENT LIGHT	1
15	200-0015-00	ASSEMBLY, FLUORESCENT LIGHT	1
16	200-0016-00	ASSEMBLY, FLUORESCENT LIGHT	1
17	200-0017-00	ASSEMBLY, FLUORESCENT LIGHT	1
18	200-0018-00	ASSEMBLY, FLUORESCENT LIGHT	1
19	200-0019-00	ASSEMBLY, FLUORESCENT LIGHT	1
20	200-0020-00	ASSEMBLY, FLUORESCENT LIGHT	1
21	200-0021-00	ASSEMBLY, FLUORESCENT LIGHT	1
22	200-0022-00	ASSEMBLY, FLUORESCENT LIGHT	1
23	200-0023-00	ASSEMBLY, FLUORESCENT LIGHT	1
24	200-0024-00	ASSEMBLY, FLUORESCENT LIGHT	1
25	200-0025-00	ASSEMBLY, FLUORESCENT LIGHT	1
26	200-0026-00	ASSEMBLY, FLUORESCENT LIGHT	1
27	200-0027-00	ASSEMBLY, FLUORESCENT LIGHT	1
28	200-0028-00	ASSEMBLY, FLUORESCENT LIGHT	1
29	200-0029-00	ASSEMBLY, FLUORESCENT LIGHT	1
30	200-0030-00	ASSEMBLY, FLUORESCENT LIGHT	1
31	200-0031-00	ASSEMBLY, FLUORESCENT LIGHT	1
32	200-0032-00	ASSEMBLY, FLUORESCENT LIGHT	1
33	200-0033-00	ASSEMBLY, FLUORESCENT LIGHT	1
34	200-0034-00	ASSEMBLY, FLUORESCENT LIGHT	1
35	200-0035-00	ASSEMBLY, FLUORESCENT LIGHT	1
36	200-0036-00	ASSEMBLY, FLUORESCENT LIGHT	1
37	200-0037-00	ASSEMBLY, FLUORESCENT LIGHT	1
38	200-0038-00	ASSEMBLY, FLUORESCENT LIGHT	1
39	200-0039-00	ASSEMBLY, FLUORESCENT LIGHT	1
40	200-0040-00	ASSEMBLY, FLUORESCENT LIGHT	1
41	200-0041-00	ASSEMBLY, FLUORESCENT LIGHT	1
42	200-0042-00	ASSEMBLY, FLUORESCENT LIGHT	1
43	200-0043-00	ASSEMBLY, FLUORESCENT LIGHT	1
44	200-0044-00	ASSEMBLY, FLUORESCENT LIGHT	1
45	200-0045-00	ASSEMBLY, FLUORESCENT LIGHT	1
46	200-0046-00	ASSEMBLY, FLUORESCENT LIGHT	1
47	200-0047-00	ASSEMBLY, FLUORESCENT LIGHT	1



REV	DATE	BY	CHKD	DESCRIPTION
1				300-0001-00 B
2				
3				
4				
5				
6				
7				
8				

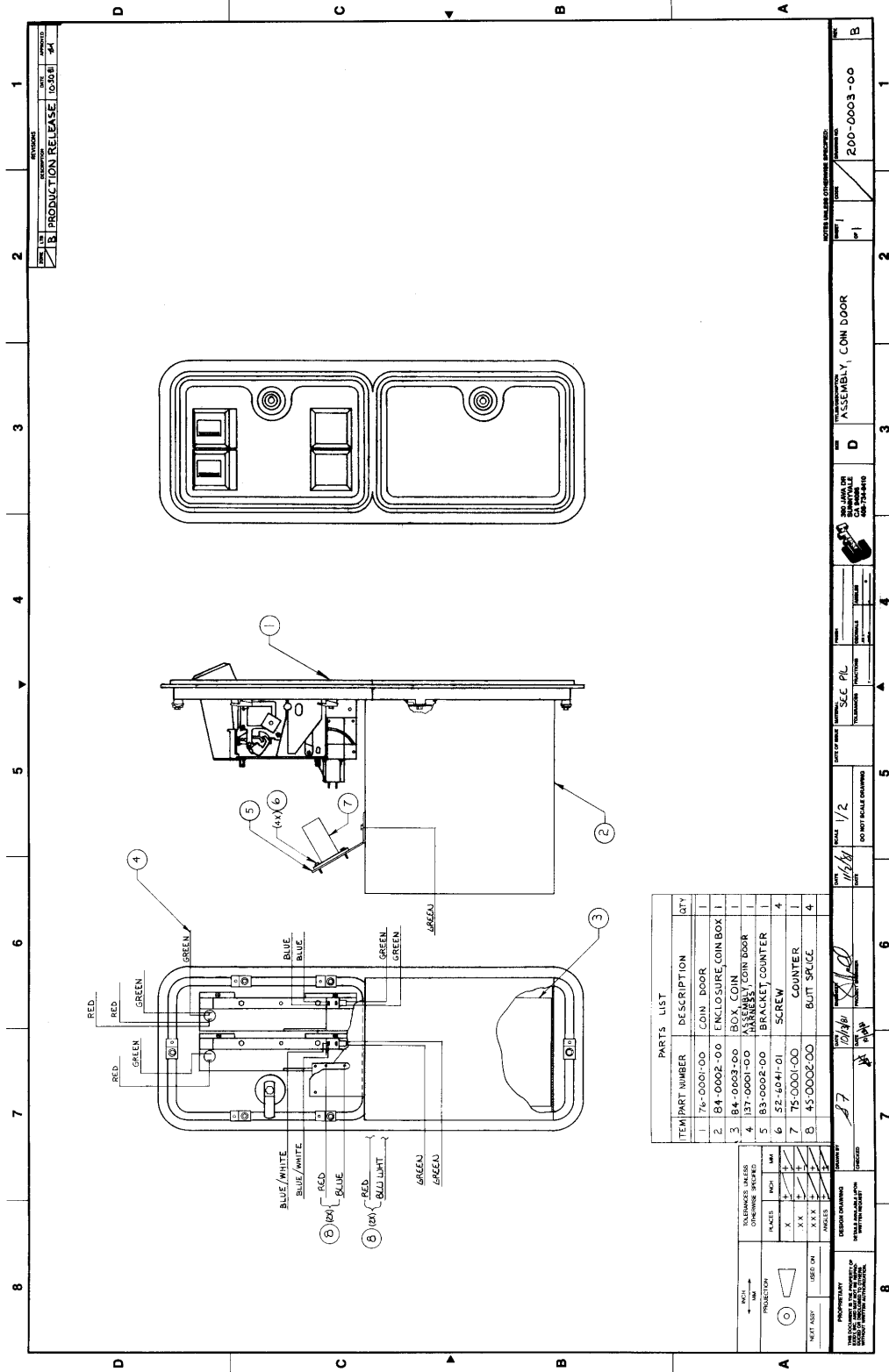
APPROVED BY	DATE	PROJECT NUMBER	SCALE	DATE	PROJECT NUMBER
			NONE		
			DO NOT SCALE DRAWING		



ITEM	PART NUMBER	DESCRIPTION	QTY
1	50-0001-00	ASSEMBLY, JOYSTICK	1
2	92-0002-00	ACTUATOR	1
3	92-0003-00	BEARING	1
4	92-0004-00	PLATE, DETENT	1
5	92-0005-00	SPKER	1
6	58-0001-00	E-RING	1
7	92-0006-00	PLATE, DECORATIVE	1
8	184-0007-00	ASSEMBLY, TOP PLATE	1
9	59-0004-00	ISOLATION MOUNT	1
10	52-0001-00	SCREW	8
11	184-0008-00	ASSEMBLY, BOTTOM PLATE	1
12	50-0001-00	SPACER	2
13	54-0001-00	PLATE, SPACER	4
14	48-0001-00	SWITCH LEAF	4
15	51-0002-00	GUAIDED, NYLON	4

1	PRODUCTION RELEASE	AG/LL
2	REVISED PER ECA 100276	6-1961
3	REVISED PER ECA 100276	11-1961
4	REVISED PER ECA 100276	11-1961
5	REVISED PER ECA 100276	11-1961

TITLE: ASSEMBLY, JOYSTICK
 PART NUMBER: 100-0002-00
 DATE: 1/1
 DRAWN: [Signature]
 CHECKED: [Signature]
 APPROVED: [Signature]
 SCALE: 1/1
 SHEET: 1 OF 1
 NOTES: SEE OTHER SHEETS FOR DIMENSIONS
 DO NOT SCALE DIMENSIONS
 PROPERTY OF: [Company Name]
 ALL RIGHTS RESERVED
 UNLESS OTHERWISE SPECIFIED
 DIMENSIONS ARE IN INCHES
 DECIMALS ARE TO TWO DECIMALS
 FRACTIONS ARE TO SIXTEENTHS
 UNLESS OTHERWISE SPECIFIED



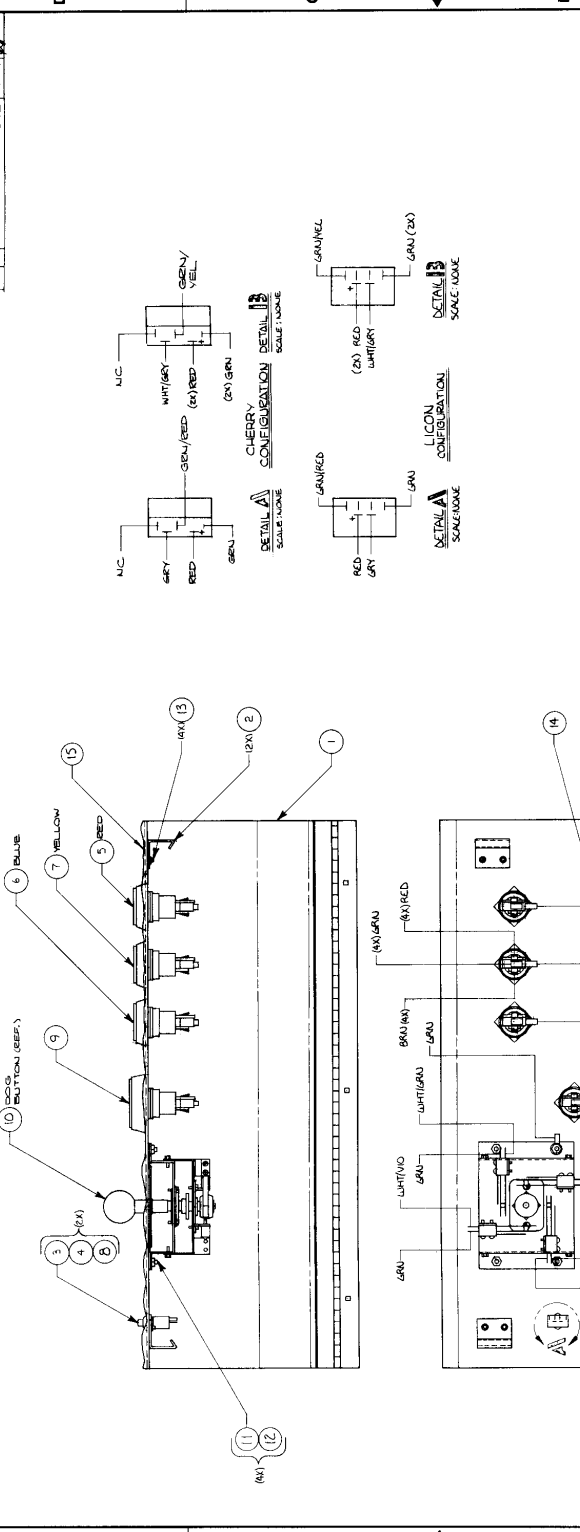
REVISIONS
 17 PRODUCTION RELEASE 10300 14

ITEM	PART NUMBER	DESCRIPTION	QTY
1	76-0001-00	COIN DOOR	1
2	84-0002-00	ENCLOSURE COIN BOX	1
3	84-0003-00	BOX COIN	1
4	83-0001-00	ASSEMBLY COIN DOOR	1
5	83-0002-00	BRACKET COUNTER	1
6	52-4041-01	SCREW	4
7	75-0001-00	COUNTER	1
8	45-0002-00	BUTT SCUICE	4

DRAWING NO. 10300
 DATE 12/18/60
 DESIGNED BY [Signature]
 CHECKED BY [Signature]
 APPROVED BY [Signature]
 TITLE ASSEMBLY, COIN DOOR
 PART NO. 200-0003-00
 QUANTITY 1
 SCALE 1/2
 DO NOT SCALE DRAWING
 SEC. P.L. [Signature]
 DATE 12/18/60
 CHECKED BY [Signature]
 APPROVED BY [Signature]

DIMENSIONS IN INCHES
 UNLESS OTHERWISE SPECIFIED
 FINISHES: X, X X, X X X
 PROJECTIONS: SEE ON
 PART ASSEMBLY

REV.	DATE	BY	CHKD.	APP.
1	10-12-81	MM/1	MM/1	
PRODUCTION RELEASE 10-12-81 10-12-81				
1. APPROVED FOR RELEASE 2. APPROVED FOR RELEASE 3. APPROVED FOR RELEASE				



1. THE FINISHED PANEL SHALL BE FREE FROM DEFECTS WHICH DEGRADE THE OVERALL APPEARANCE. DISCOLORATIONS, DISPARITIES OR OTHER SURFACE IMPERFECTIONS ARE POSSIBLE CAUSE FOR REJECTION OF PART.

2. THE BOND BETWEEN FILM AND METAL PANEL SHALL BE PERMANENT. ALL SURFACES, CORNERS & EXPOSED EDGES SHALL BE SECURELY ADHERED. THE FINISHED PANEL SHALL BE FREE FROM DEFECTS WHICH COULD CONTRIBUTE TO PREMATURE DELAMINATION. THESE DEFECTS INCLUDE, BUT NOT LIMITED TO, BUBBLING, CRACKING, OR BRIDGING IN OTHER AREAS ARE PROBABLE CAUSE FOR REJECTION OF PARTS.

3. REGISTRATION OF FILM TO METAL PANEL SHALL BE WITHIN .03 OF THE CENTERLINE. NOT TO EXCEED .030. ALL HOLES OR PROFILE CUTOUTS SHALL BE CLEAR & FREE OF FILM OBSTRUCTION.

PARTS LIST

ITEM	PART NUMBER	DESCRIPTION	QTY
1	183-0004-00	ASSY CONTROL PANEL INKIE	1
2	183-0004-00	ASSY LATCH BRACKET	2
3	48-5001-00	SWITCH-LICON/CHERRY	10
4	54-0012-00	NUT SWITCH BEZEL	2
5	48-5002-00	SWITCH RED	1
6	48-5003-00	SWITCH BLUE	1
7	48-5004-00	SWITCH YELLOW	1
9	91-0004-00	ACTUATOR SWITCH	2
10	100-0012-00	ASSY WIPSTICK	1
11	50-0081-02	SCREW	4
12	54-0013-00	NUT	4
13	50-6081-01	SCREW	4
14	137-0004-00	ASSY CONTROL PANEL INKNESS	1

DESIGN DRAWING

10-12-81

DATE

10-12-81

BY MM/1

CHKD MM/1

APP

DO NOT SCALE DRAWING

SCALE: NONE

PROJ: 91-000100 (LICON) CONTROL PANEL 1

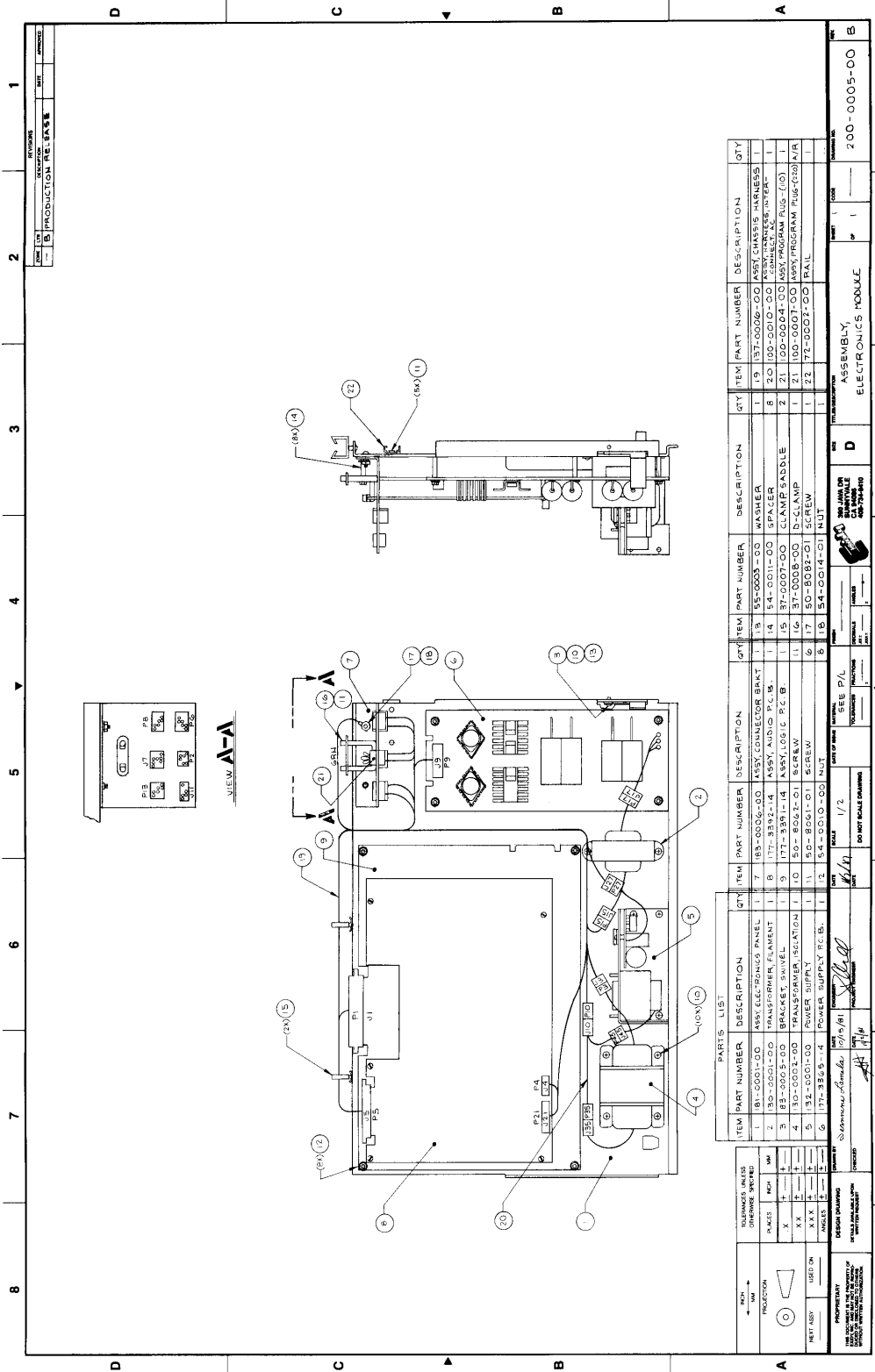
VIEW: FRONT

SECTION: NONE

ASSEMBLY CONTROL PANEL

300-0004-00

REV. 1
 10/15/54
 PRODUCTION RE. SALES



VIEW A-A

ITEM	PART NUMBER	DESCRIPTION	QTY	ITEM	PART NUMBER	DESCRIPTION	QTY
1	181-0001-00	ASST. ELECTRONICS PANEL	1	19	1137-0006-00	ASST. CASE ACCESS	1
2	130-0001-00	TRANSFORMER ELEMENT	1	20	100-0010-00	ASST. WRENCH	1
3	177-3312-14	ASST. AUDIO P.C.B.	1	21	100-0007-00	ASST. PROGRAM P.165-020	1
4	55-0002-00	TRANSFORMER ELEMENT	1	22	172-0002-00	WASHER	1
5	132-0001-00	POWER SUPPLY REGULATION	1				
6	171-3316-14	POWER SUPPLY P.C.B.	1				
7	183-0002-00	ASST. CONNECTOR BRKT	1				
8	177-3312-14	ASST. AUDIO P.C.B.	1				
9	55-0002-00	TRANSFORMER ELEMENT	1				
10	132-0001-00	POWER SUPPLY REGULATION	1				
11	130-0001-00	TRANSFORMER ELEMENT	1				
12	54-0010-00	CLAMP SCREW	6				
13	54-0010-00	CLAMP SCREW	6				
14	54-0011-00	SPACER	8				
15	31-0003-00	CLAMP SCREW	2				
16	150-2002-01	SCREW	1				
17	50-2002-01	SCREW	1				
18	54-0014-01	NUT	1				

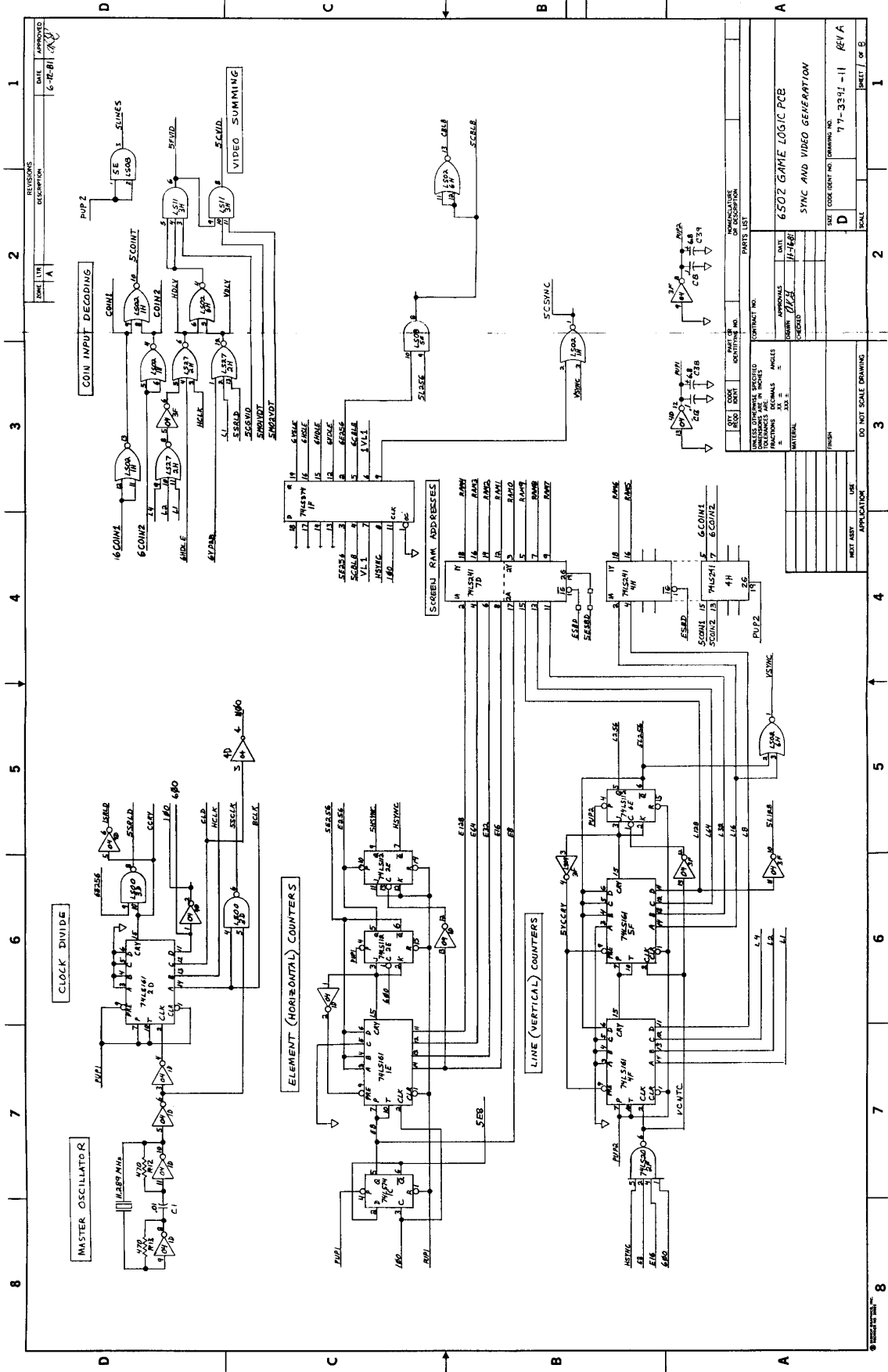
PARTS LIST

PROPERTY OF
 THE GOVERNMENT OF THE UNITED STATES OF AMERICA
 ALL RIGHTS RESERVED

FORM NO. 10
 10/15/54

ASSEMBLY
 ELECTRONICS MODULE

200-0005-00



REV. LTR	DESCRIPTION	DATE	APPROVED
A		6-18-81	

REV. LTR	DESCRIPTION	DATE	APPROVED
A		6-18-81	

REV. LTR	DESCRIPTION	DATE	APPROVED
A		6-18-81	

REV. LTR	DESCRIPTION	DATE	APPROVED
A		6-18-81	

REV. LTR	DESCRIPTION	DATE	APPROVED
A		6-18-81	

REV. LTR	DESCRIPTION	DATE	APPROVED
A		6-18-81	

REV. LTR	DESCRIPTION	DATE	APPROVED
A		6-18-81	

REV. LTR	DESCRIPTION	DATE	APPROVED
A		6-18-81	

REV. LTR	DESCRIPTION	DATE	APPROVED
A		6-18-81	

REV. LTR	DESCRIPTION	DATE	APPROVED
A		6-18-81	

REV. LTR	DESCRIPTION	DATE	APPROVED
A		6-18-81	

REV. LTR	DESCRIPTION	DATE	APPROVED
A		6-18-81	

REV. LTR	DESCRIPTION	DATE	APPROVED
A		6-18-81	

REV. LTR	DESCRIPTION	DATE	APPROVED
A		6-18-81	

REV. LTR	DESCRIPTION	DATE	APPROVED
A		6-18-81	

REV. LTR	DESCRIPTION	DATE	APPROVED
A		6-18-81	

REV. LTR	DESCRIPTION	DATE	APPROVED
A		6-18-81	

© 1981 by Atari, Inc. ALL RIGHTS RESERVED. THIS DOCUMENT IS UNCLASSIFIED. DATE 11-14-81 BY 77-3391-11 REV A

REV. LTR	DESCRIPTION	DATE	APPROVED
A		6-18-81	

REV. LTR	DESCRIPTION	DATE	APPROVED
A		6-18-81	

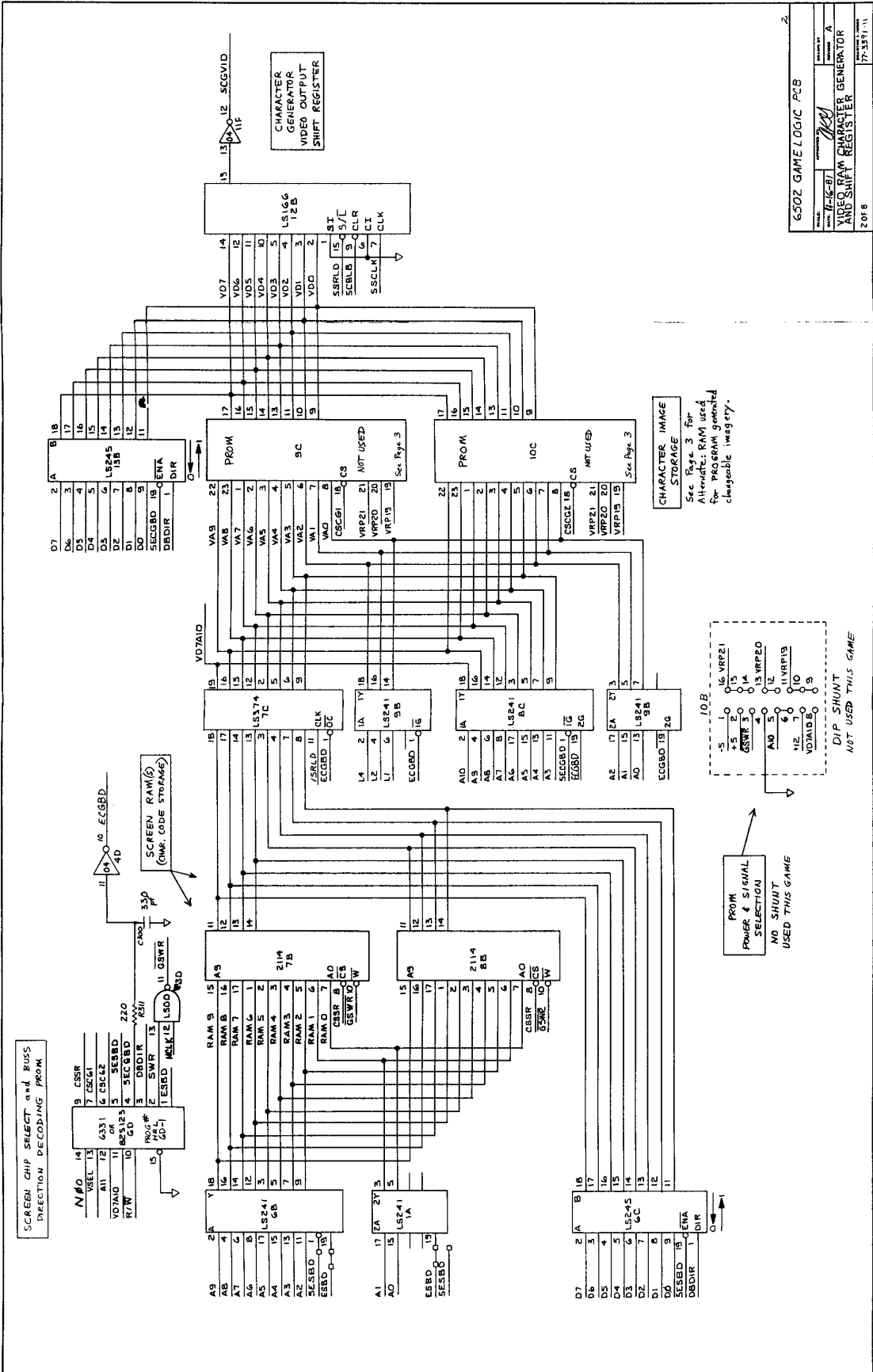
REV. LTR	DESCRIPTION	DATE	APPROVED
A		6-18-81	

REV. LTR	DESCRIPTION	DATE	APPROVED
A		6-18-81	

REV. LTR	DESCRIPTION	DATE	APPROVED
A		6-18-81	

REV. LTR	DESCRIPTION	DATE	APPROVED
A		6-18-81	

REV. LTR	DESCRIPTION	DATE	APPROVED
A		6-18-81	



CHARACTER GENERATOR
IMAGE STORAGE RAMS

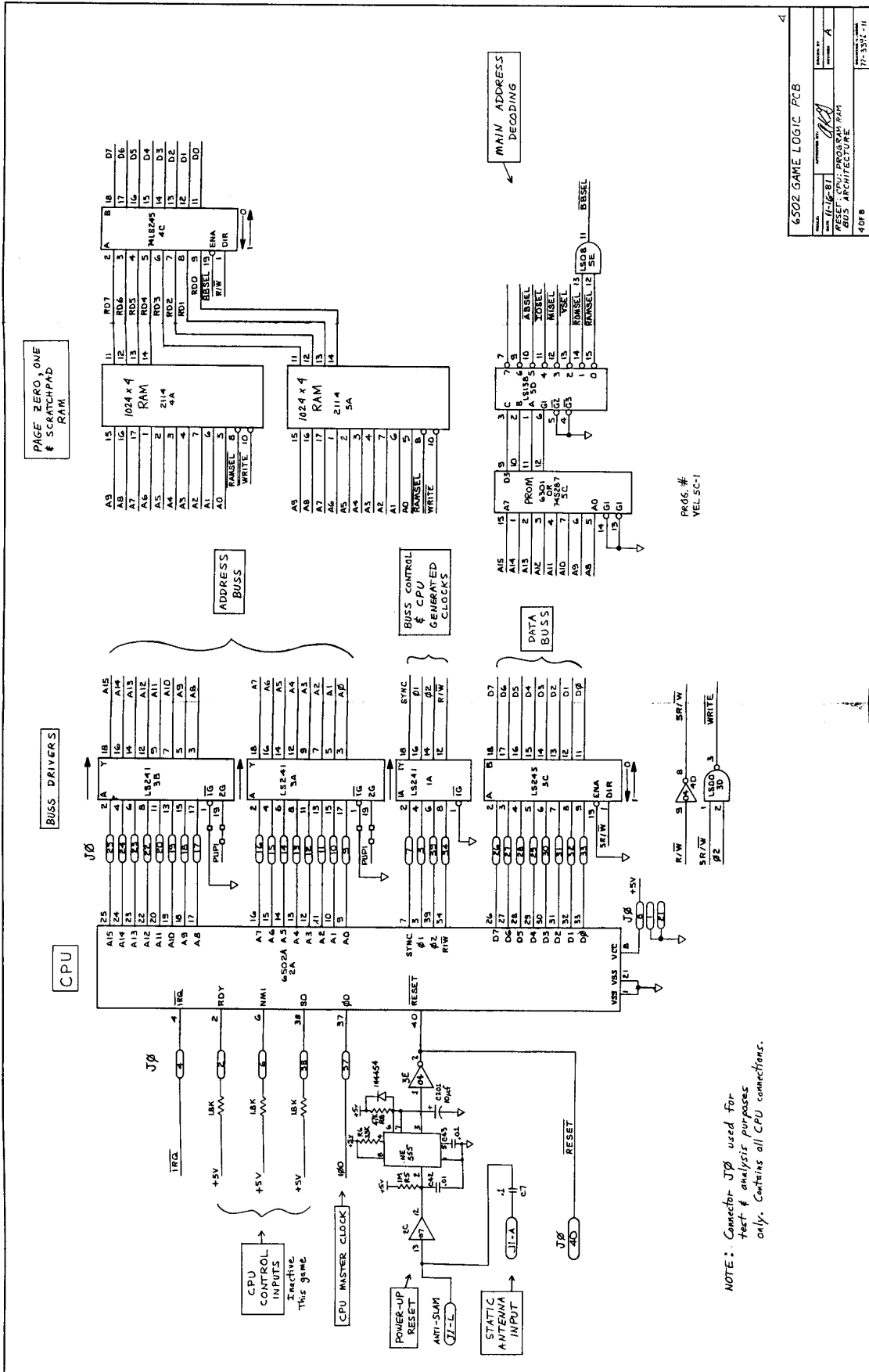
For use with PROGRAM
generated changeable images.
ALL Z114'S \leq 300ns

VAS	15	11	VD7
VAB	16	12	VD6
VAT	17	13	VD5
VAG	1	14	VD4
VAS	2	RAM	
VAS	3	2114	
VAS	4	11C	
VAS	5		
VAT	6		
VAD	7		
CSCG1	8		
CSWR	10		

VAS	15	11	VD7
VAB	16	12	VD6
VAT	17	13	VD5
VAG	1	14	VD4
VAS	2	RAM	
VAS	3	2114	
VAS	4	11C	
VAS	5		
VAT	6		
VAD	7		
CSCG2	8		
CSWR	10		

VAS	15	11	VD3
VAB	16	12	VD2
VAT	17	13	VD1
VAG	1	14	VDD
VAS	2	RAM	
VAS	3	2114	
VAS	4	11C	
VAS	5		
VAT	6		
VAD	7		
CSCG1	8		
CSWR	10		

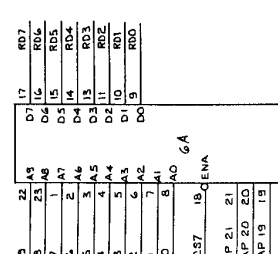
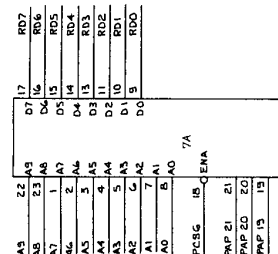
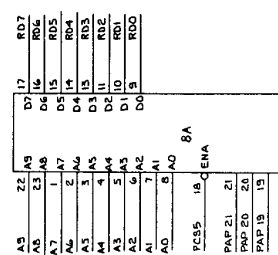
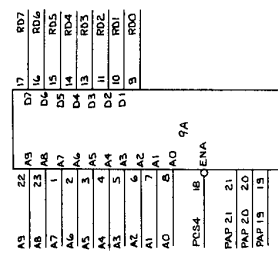
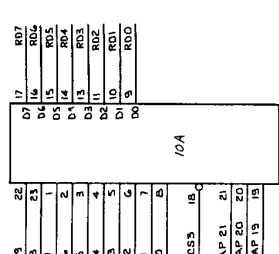
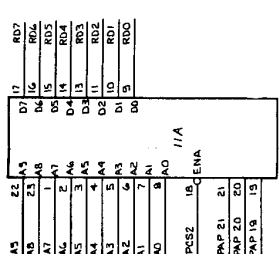
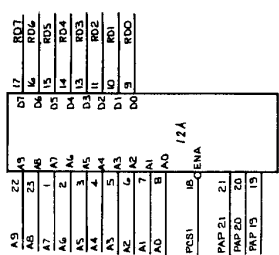
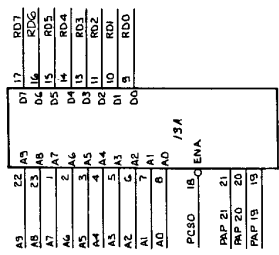
VAS	15	11	VD3
VAB	16	12	VD2
VAT	17	13	VD1
VAG	1	14	VDD
VAS	2	RAM	
VAS	3	2114	
VAS	4	11C	
VAS	5		
VAT	6		
VAD	7		
CSCG2	8		
CSWR	10		



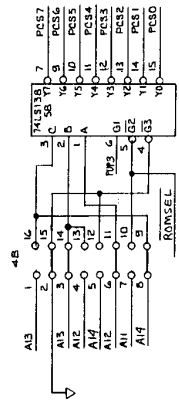
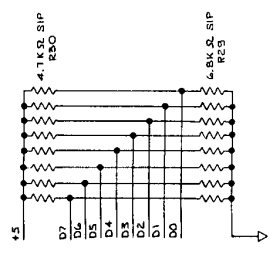
NOTE: Connector J10 used for test & analysis purposes only. Contains all CPU connections.

PROGRAM MEMORY

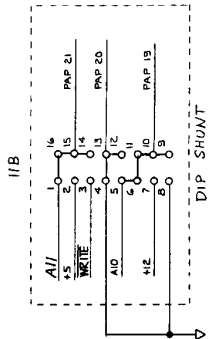
See TECHNICAL MANUAL FOR PROGRAM #'S.



DATA BUSSES TERMINATION
Ringing Suppression

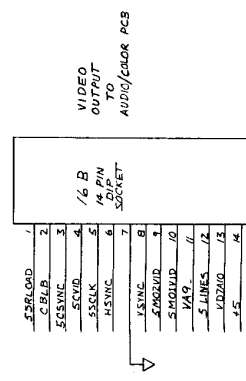
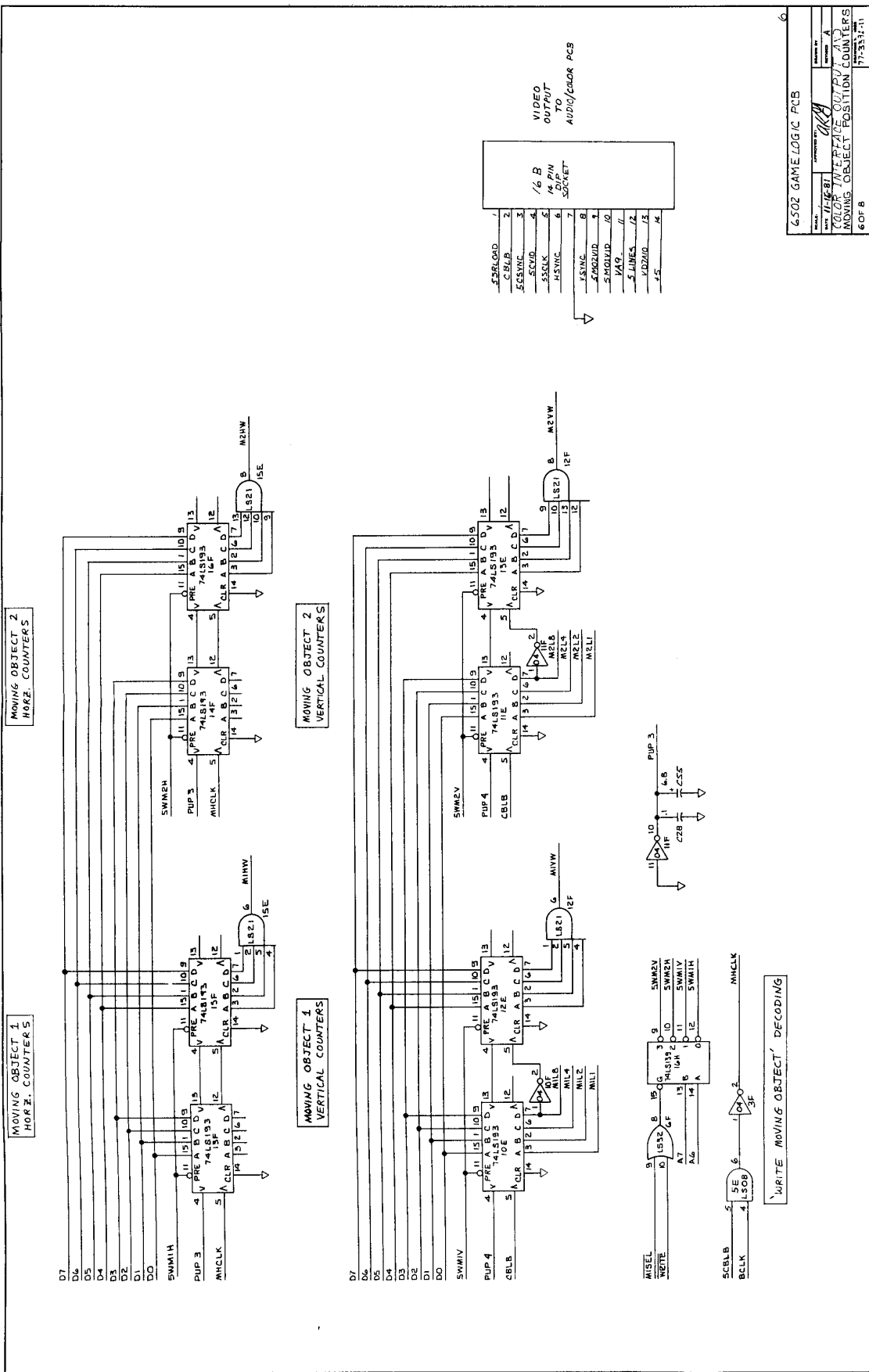


FROM ADDRESS SELECTION
Configuration Shown is for 48V ONLY 2732 EPROMS. See TECHNICAL MANUAL for configuration for other memory devices.

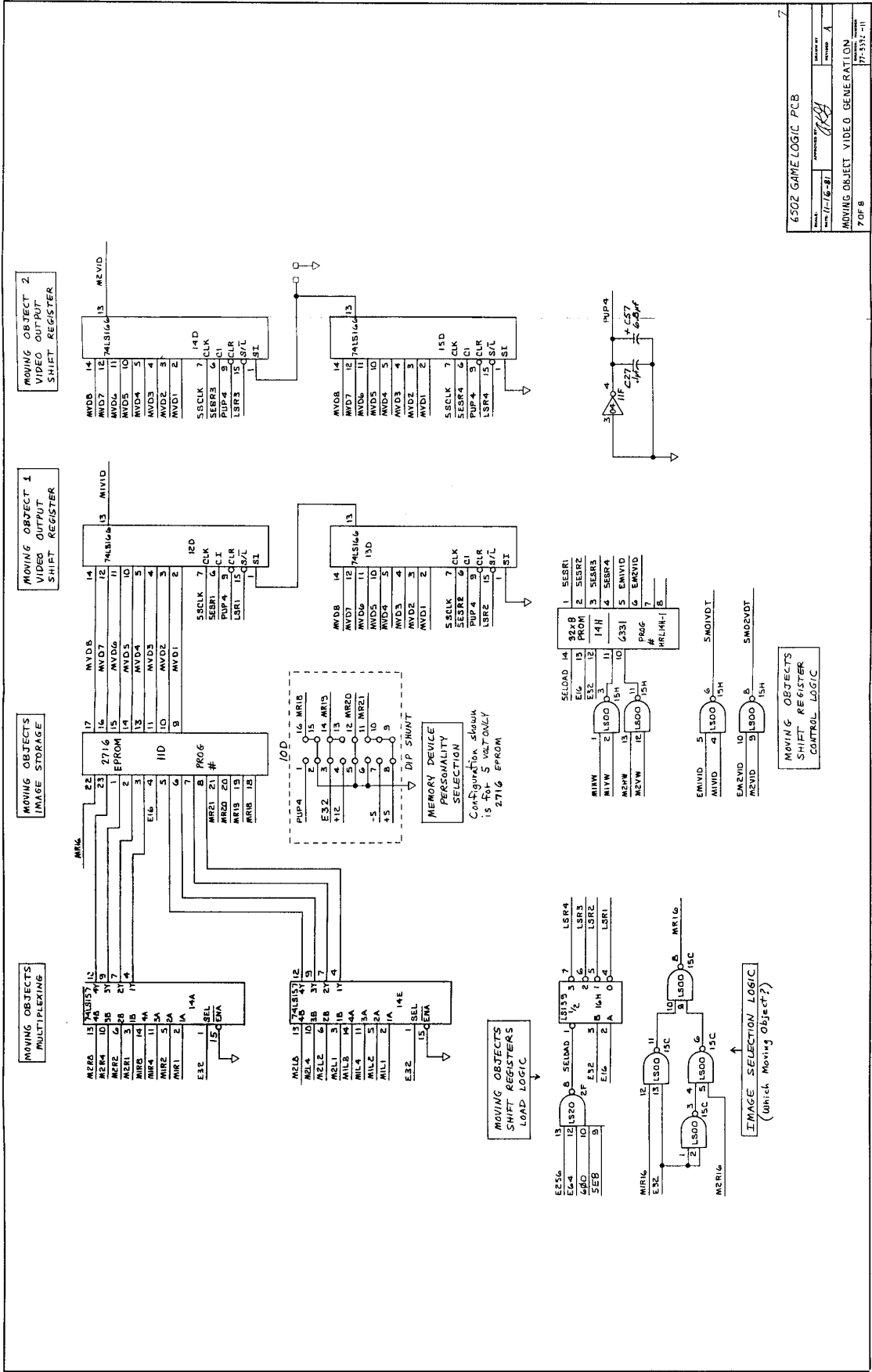


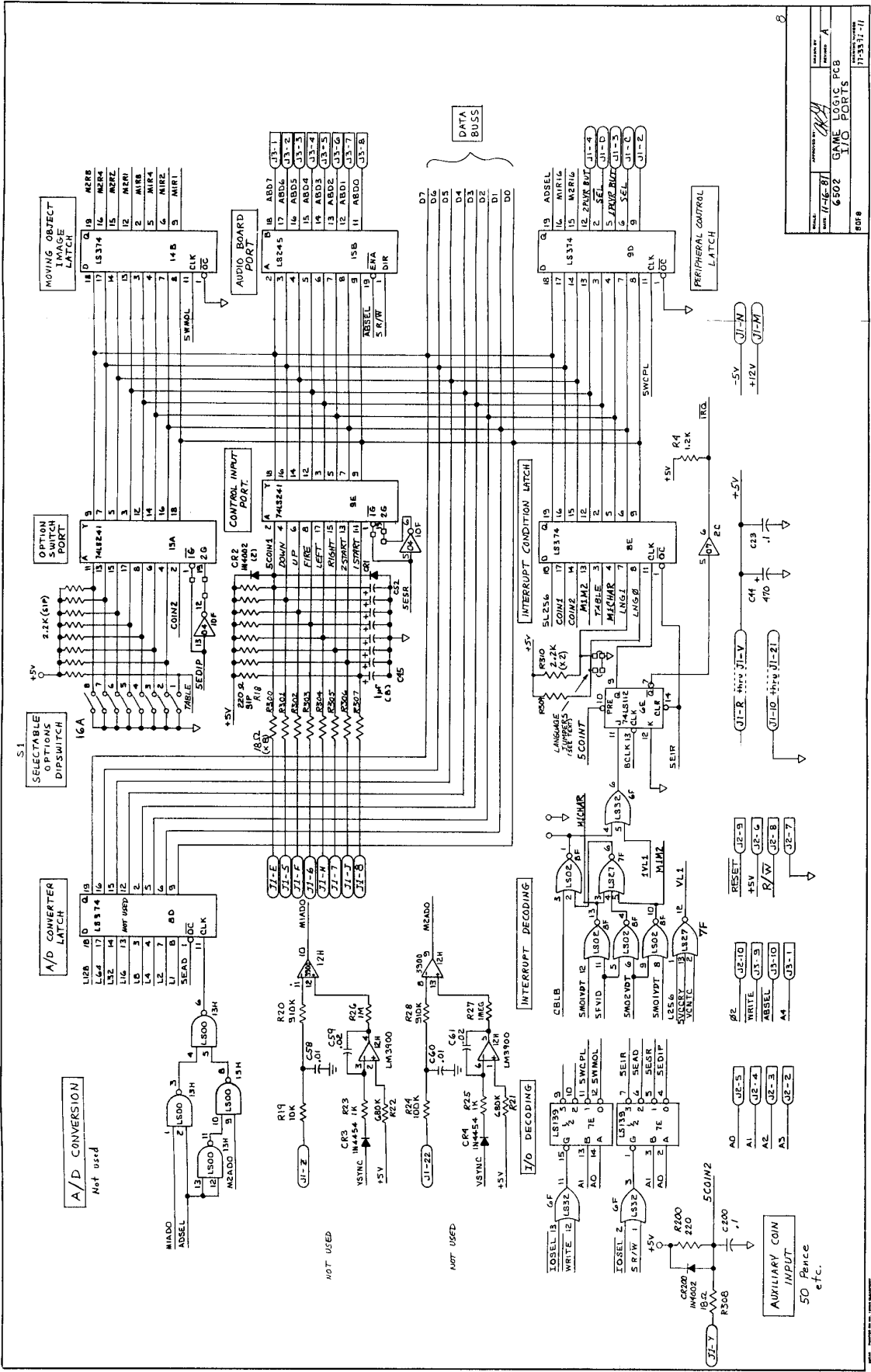
MEMORY DEVICE PERSONALITY
Configuration Shown is for 48V ONLY 2732 EPROMS. See TECHNICAL MANUAL for configuration for other memory devices.

EXIDY INC.
 DATE: 11/28/81
 APPROVED BY: [Signature]
 DRAWN BY: [Signature]
 PART NO.: 6502 GAME LOG CPU BOARD
 60F8
 1/33/81



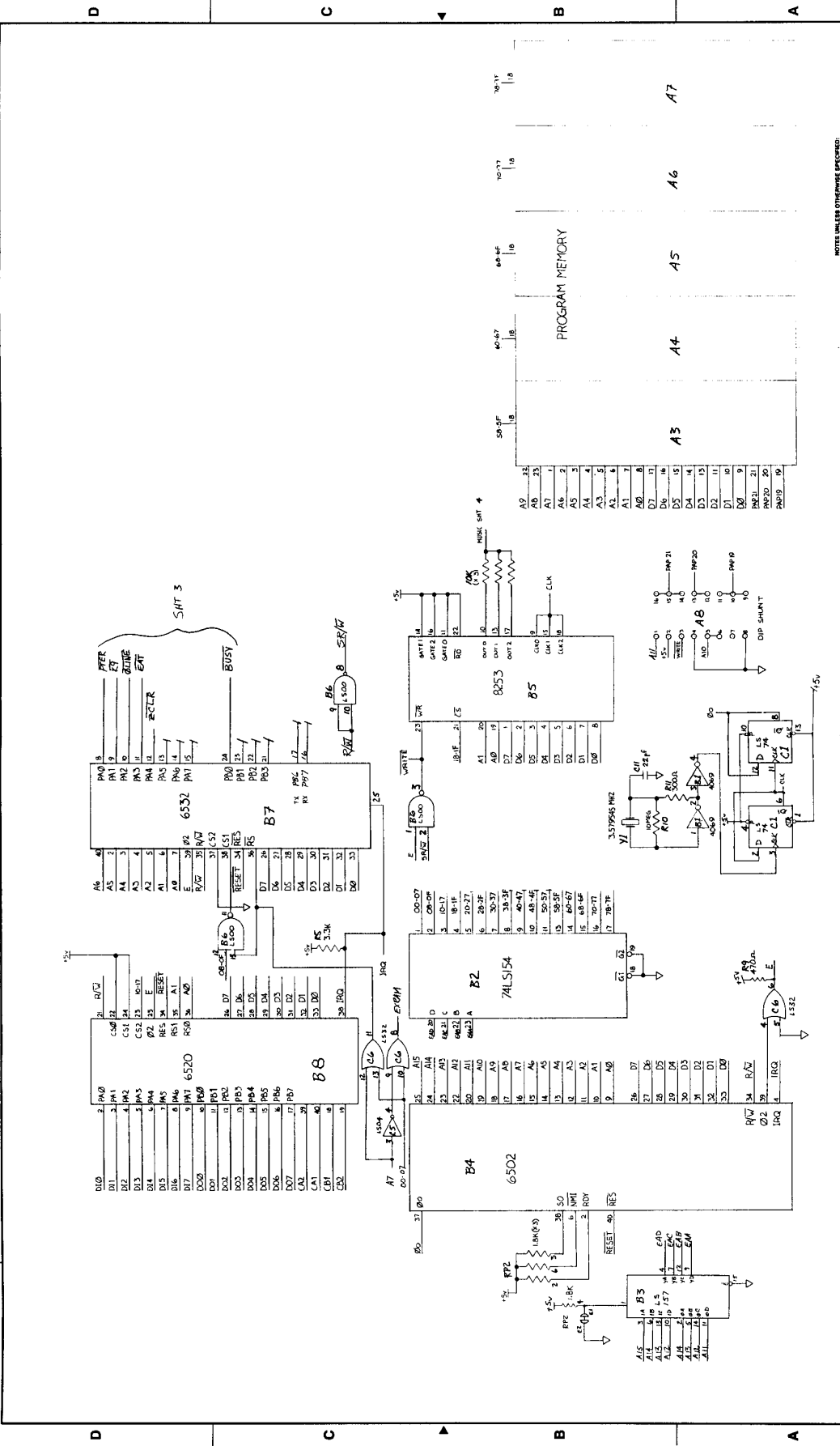
VIDEO
OUTPUT
TO
AUDIO/VIDEO PCB





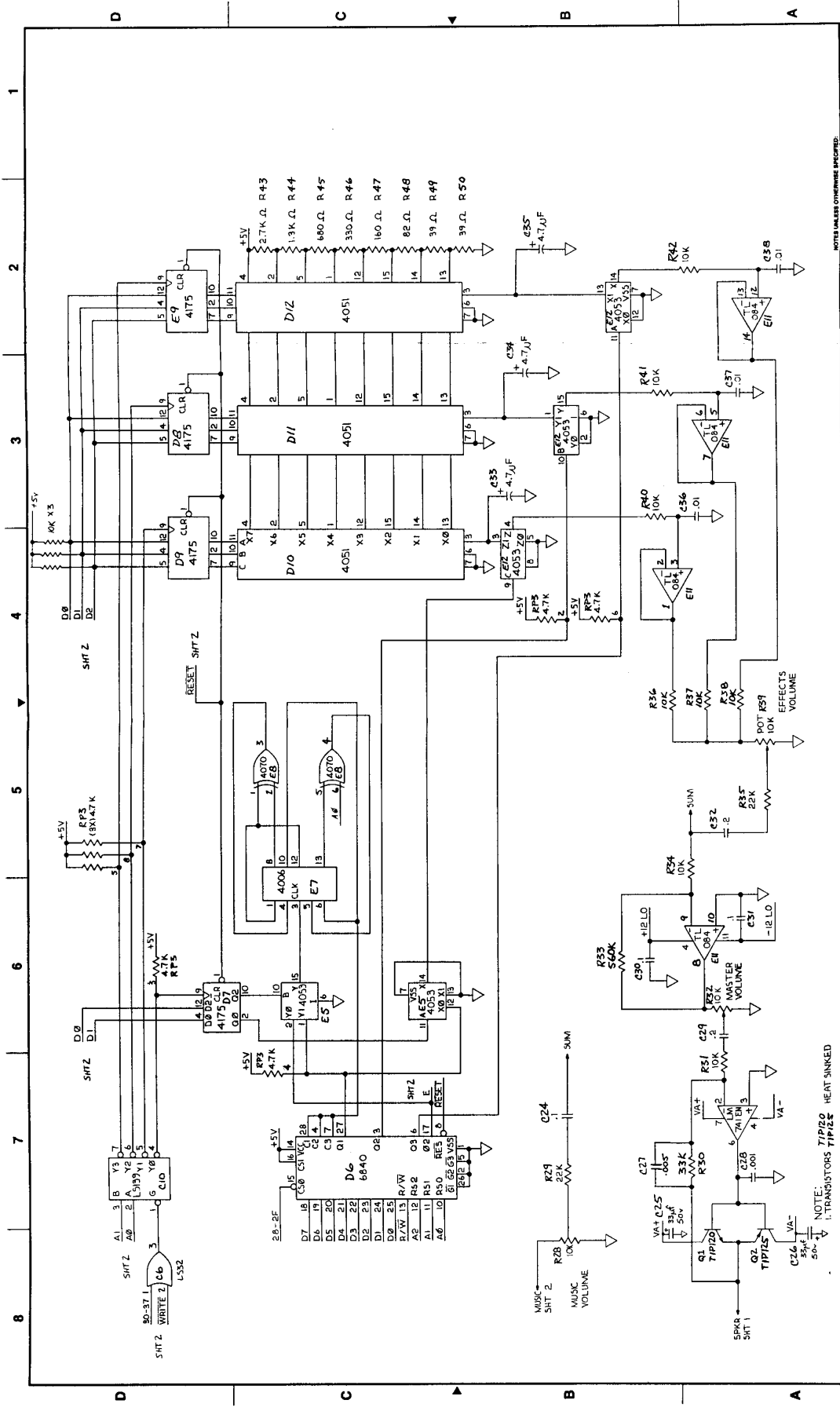
REVISED BY	DATE	REASON
AKH	11-16-81	A
GAME LOGIC PCB 6502		
3/0		
809		

8 7 6 5 4 3 2 1



PROPRIETARY THIS DOCUMENT IS THE PROPERTY OF THE COMPANY AND IS NOT TO BE REPRODUCED OR TRANSMITTED IN ANY FORM OR BY ANY MEANS, ELECTRONIC OR MECHANICAL, INCLUDING PHOTOCOPYING, RECORDING, OR BY ANY INFORMATION STORAGE AND RETRIEVAL SYSTEM, WITHOUT THE WRITTEN PERMISSION OF THE COMPANY.	DESIGNER: NEAL R. ZOOK CHECKED: MARK VON STRUVER DATE: 11-16-81 SCALE: AS SHOWN PARTS LIST: SEE PART 1 DRAWING NO.: 6-6-81	TITLE: SCHEMATIC DIAGRAM PART NO.: D DRAWING NO.: 77-22-1-1 REV: 2 CODE: 5 SHEET NO.: 5 OF: 5	COMPANY: 300 JAVA DR. BRIMFIELD MASSACHUSETTS 01025-724-810
--	---	---	--

NOTE UNLESS OTHERWISE SPECIFIED:



PROPERTY:	DESIGN DRAWING	DATE	SCALE	SHEET OF	DATE OF SHEET	MATERIAL	PROJECT NUMBER	PROJECT NAME	DATE	SCALE	DATE	SCALE	DATE	SCALE	DATE	SCALE	DATE	SCALE	DATE	SCALE
79-33-0-0	MARK VAN STRYER	11-16-81	DO NOT SCALE DRAWING	11-16-81	11-16-81	11-16-81	11-16-81	11-16-81	11-16-81	11-16-81	11-16-81	11-16-81	11-16-81	11-16-81	11-16-81	11-16-81	11-16-81	11-16-81	11-16-81	11-16-81
79-33-0-0	MARK VAN STRYER	11-16-81	DO NOT SCALE DRAWING	11-16-81	11-16-81	11-16-81	11-16-81	11-16-81	11-16-81	11-16-81	11-16-81	11-16-81	11-16-81	11-16-81	11-16-81	11-16-81	11-16-81	11-16-81	11-16-81	11-16-81

NOTES: 1. TRANSISTORS TIP122 HEAT SINKED

PROPERTY: 79-33-0-0

DESIGN DRAWING: MARK VAN STRYER

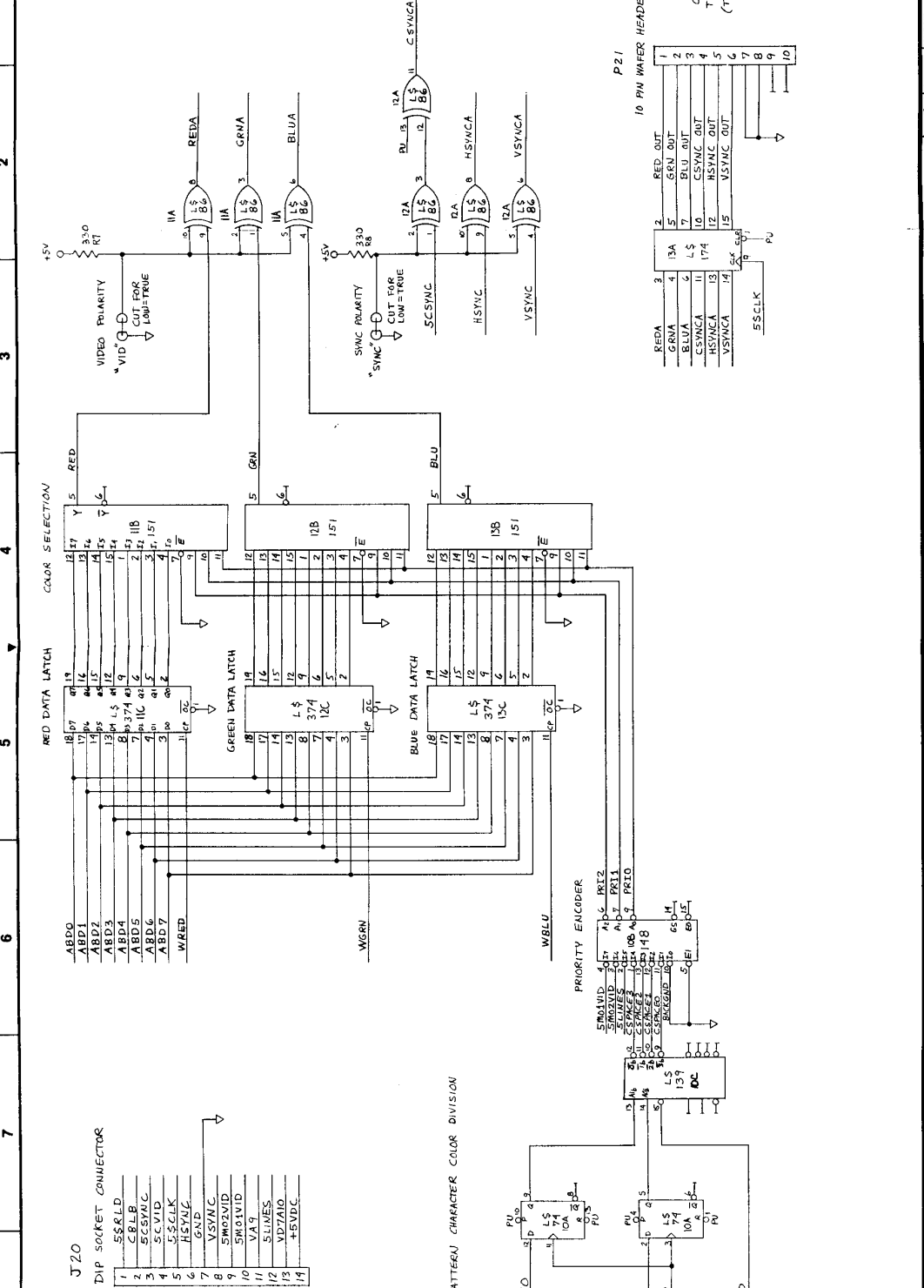
DATE: 11-16-81

SCALE: DO NOT SCALE DRAWING

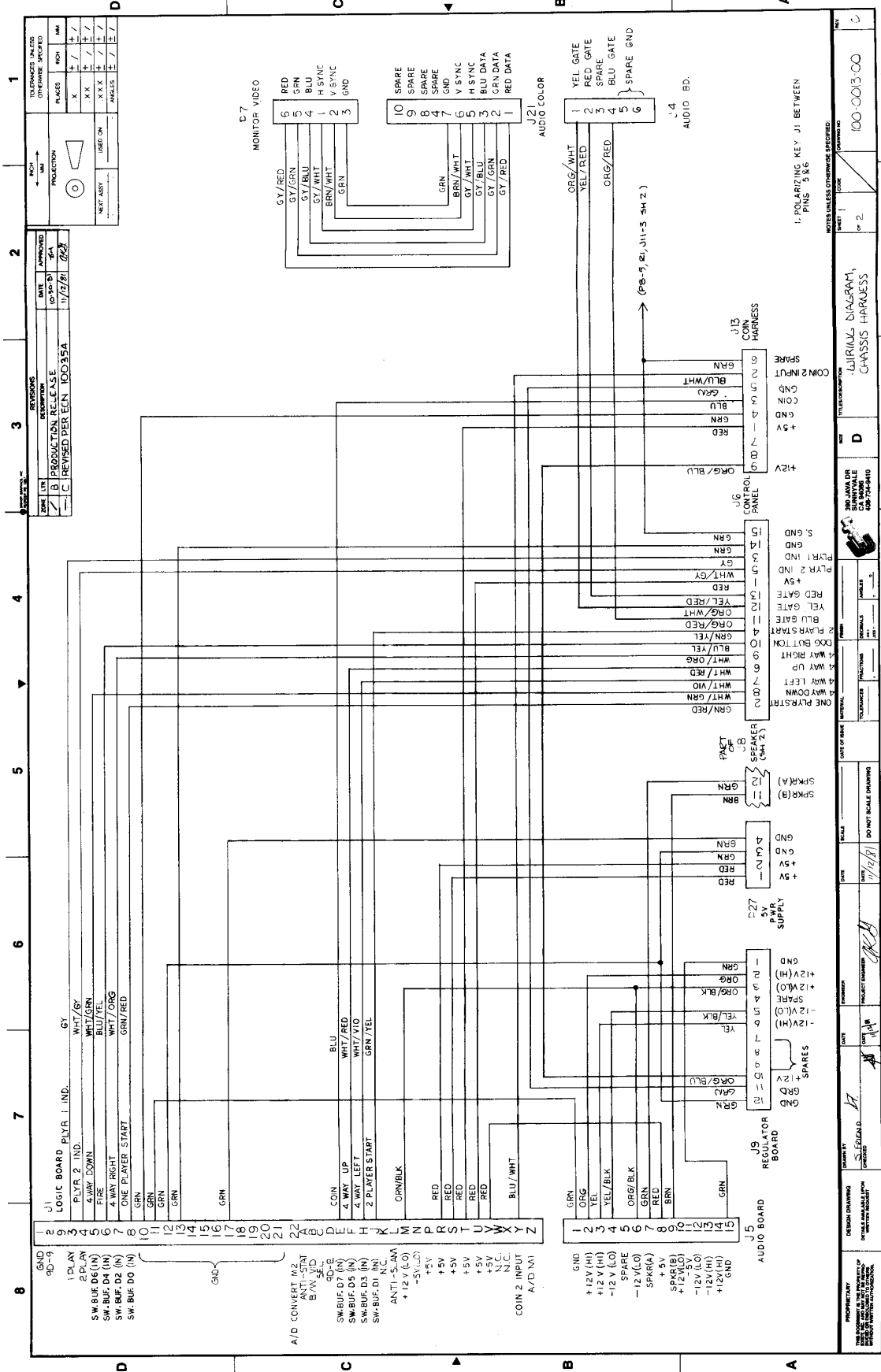
SHEET 4 OF 5

PROJECT NUMBER: 79-33-0-0

PROJECT NAME: MOUSETRAP APPRO-COLOR PCB SCHEMATIC DIAGRAM



DATE	11-2-81	REVISION	1
DRAWN BY	AKR	PROJECT NUMBER	114-81
CHECKED	AKR		
APPROVED	AKR		
DATE	11-2-81	REVISION	1
DRAWN BY	AKR	PROJECT NUMBER	114-81
CHECKED	AKR		
APPROVED	AKR		
DATE	11-2-81	REVISION	1
DRAWN BY	AKR	PROJECT NUMBER	114-81
CHECKED	AKR		
APPROVED	AKR		



REV	DATE	BY	APPROVED
1	11/12/81
2
3

REV	DATE	BY	APPROVED
1	11/12/81
2
3

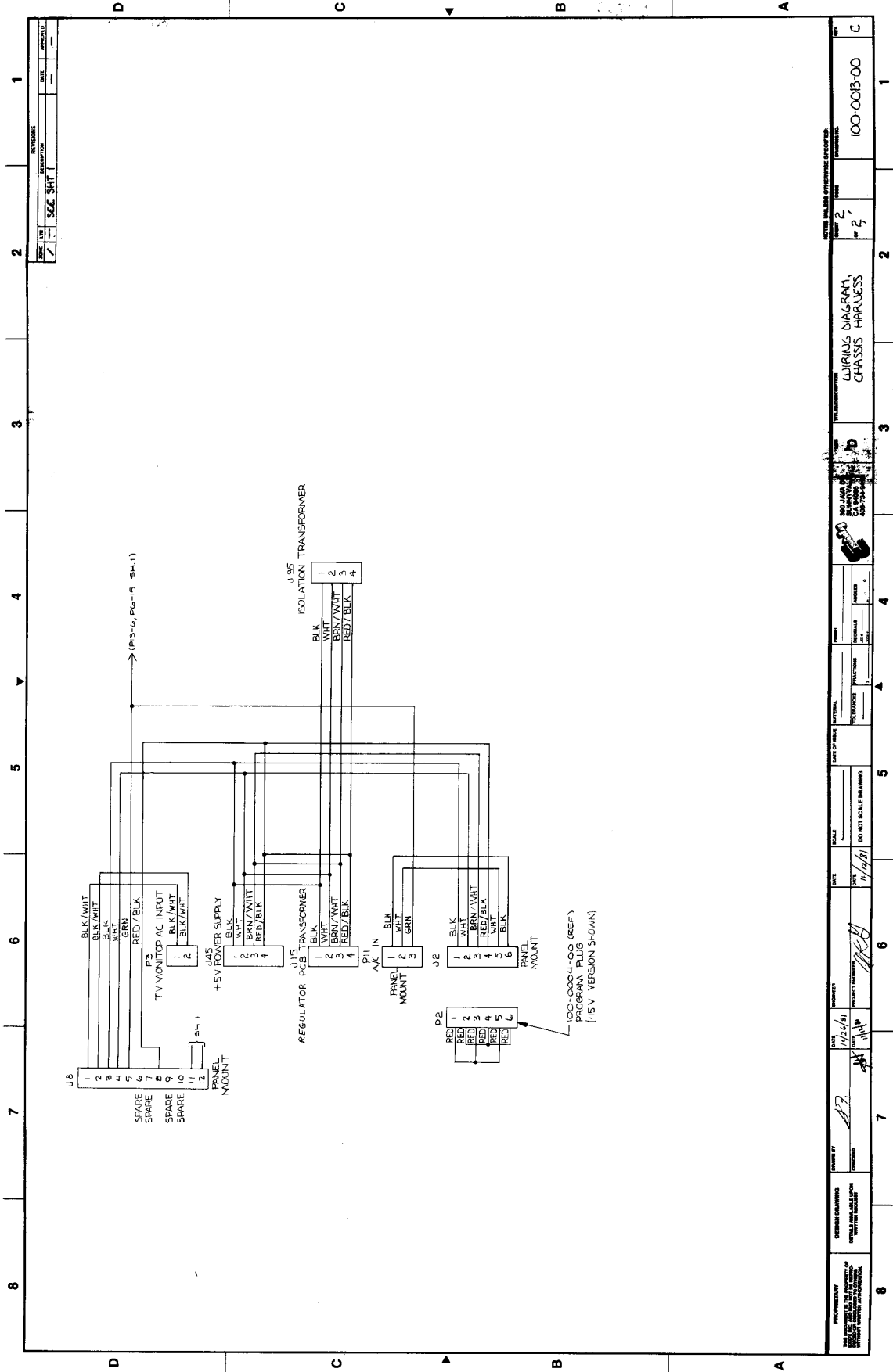
REV	DATE	BY	APPROVED
1	11/12/81
2
3

REV	DATE	BY	APPROVED
1	11/12/81
2
3

REV	DATE	BY	APPROVED
1	11/12/81
2
3

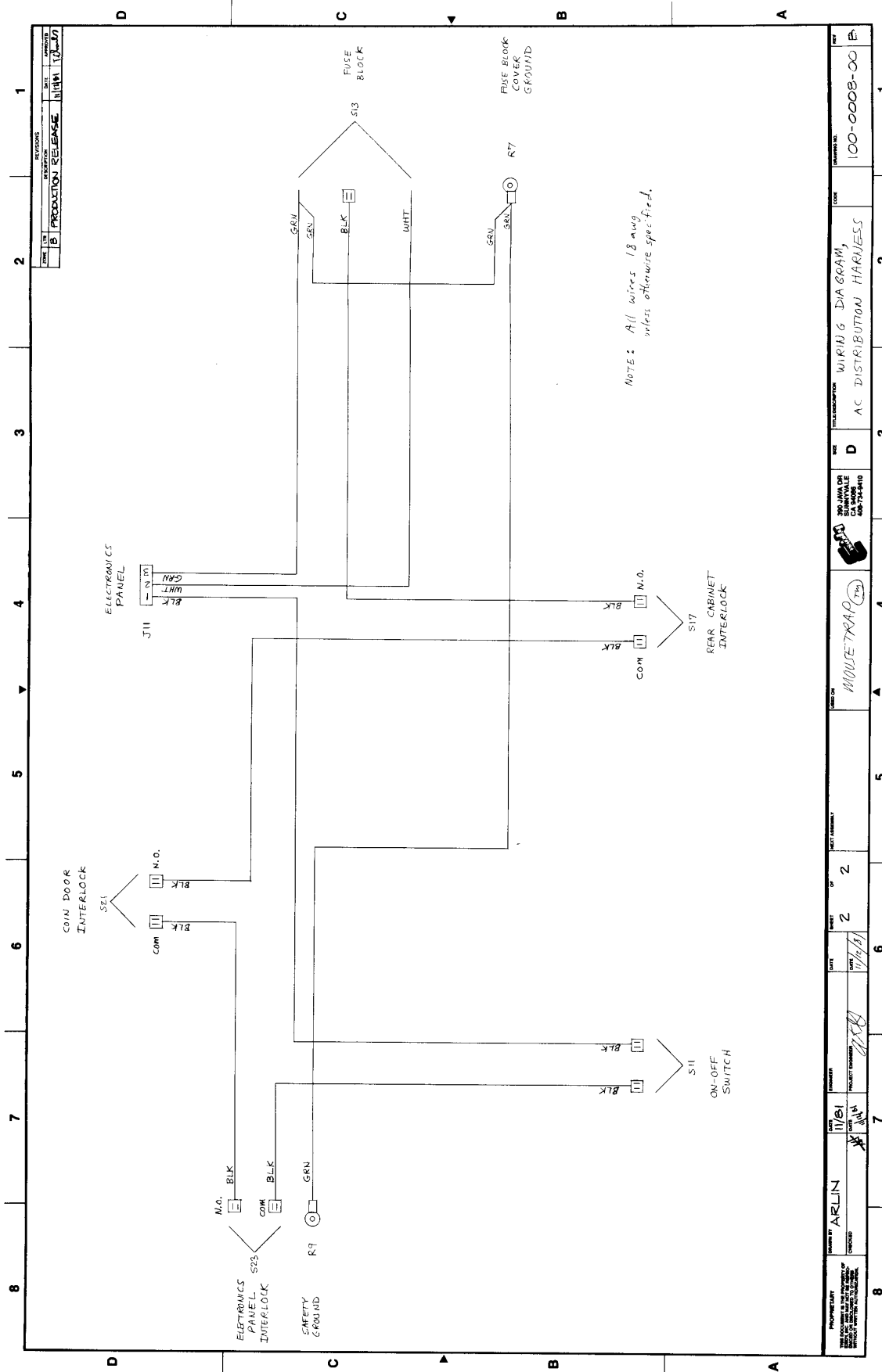
REV	DATE	BY	APPROVED
1	11/12/81
2
3

TITLE: WIRING DIAGRAM, CHASSIS HARNESS
 DRAWN BY: ...
 CHECKED BY: ...
 DATE: ...
 PROJECT NUMBER: ...
 SHEET 1 OF 2
 100-0013-00



REV.	DATE	APPROVED
1	SEE SHT. 1	

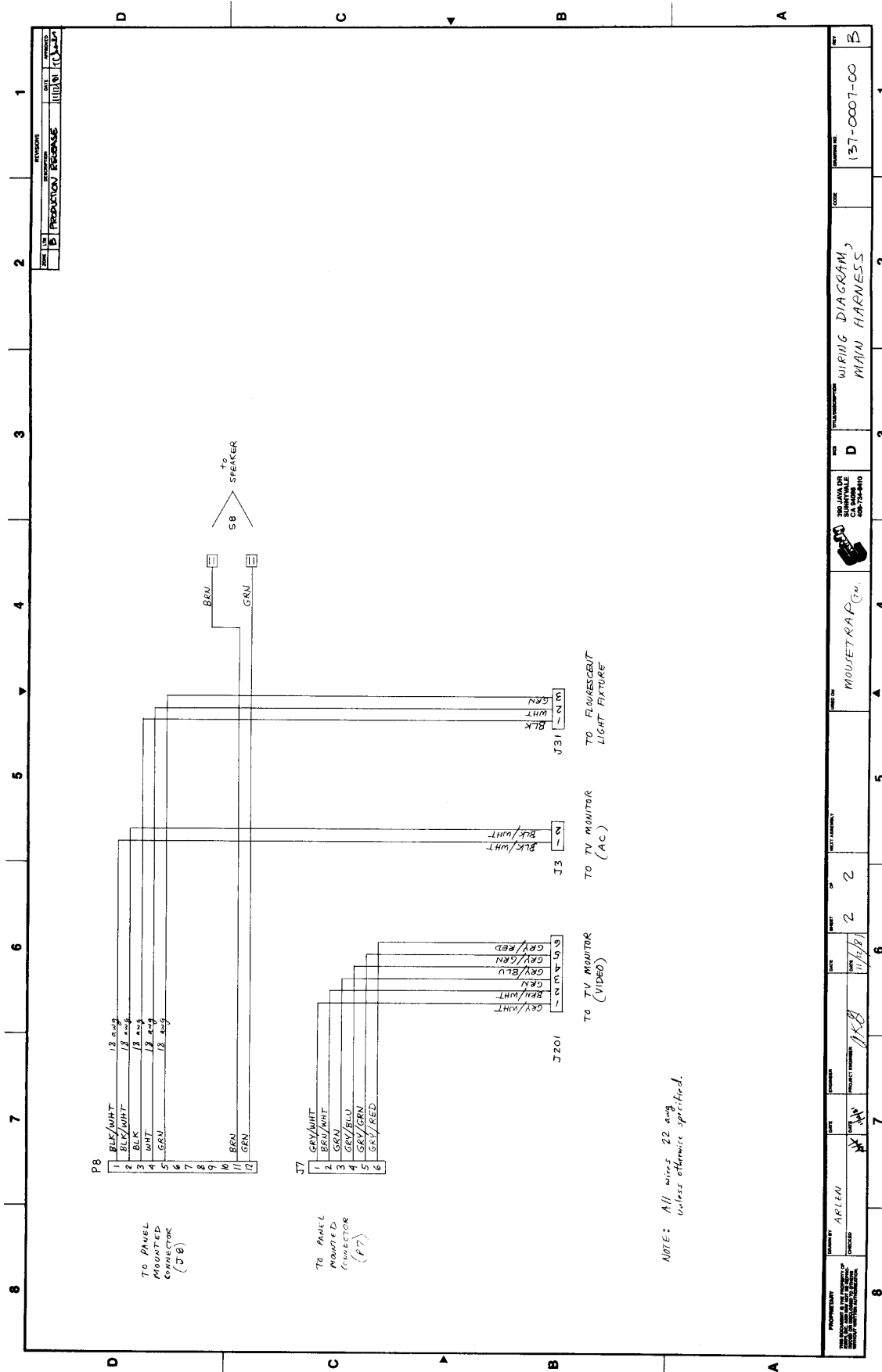
PROJECT NO. 100-0003-00	DRAWN BY D	CHECKED BY D	DATE 11/19/41	SCALE DO NOT SCALE DRAWING		DATE OF REVISION 11/19/41		REV. NO. 2
				FUNCTION	TECHNICAL	REVISION	REVISION	
TITLE WIRING DIAGRAM, CHASSIS HARNESS				PROJECT NUMBER		REVISION		1
				100-0003-00		2		



NOTE: All wires 18 awg unless otherwise specified.

REV	DATE	BY	CHKD
1			
B PRODUCTION RELEASE 11/11/10			

PROJECT NAME	100-0008-00
REV	1
DATE	11/11/10
BY	
CHKD	
DESCRIPTION	WIRING DIAGRAM, AC DISTRIBUTION HARNESS
REV	1
DATE	11/11/10
BY	
CHKD	
DESCRIPTION	MOLETRAP
REV	2
DATE	11/11/10
BY	
CHKD	
DESCRIPTION	ON-OFF SWITCH
REV	2
DATE	11/11/10
BY	
CHKD	
DESCRIPTION	REAR CABINET INTERLOCK
REV	2
DATE	11/11/10
BY	
CHKD	
DESCRIPTION	COIN DOOR INTERLOCK
REV	2
DATE	11/11/10
BY	
CHKD	
DESCRIPTION	ELECTRONICS PANEL INTERLOCK
REV	2
DATE	11/11/10
BY	
CHKD	
DESCRIPTION	ELECTRONICS PANEL
REV	2
DATE	11/11/10
BY	
CHKD	
DESCRIPTION	FUSE BLOCK
REV	2
DATE	11/11/10
BY	
CHKD	
DESCRIPTION	FUSE BLOCK COVER GROUND
REV	2
DATE	11/11/10
BY	
CHKD	



REV	DATE	BY	CHKD	APPROVED
1				
PRODUCTION RELEASE				

REV	DATE	BY	CHKD	APPROVED
1				
PRODUCTION RELEASE				

TO PANEL MOUNTED CONNECTOR (J2)

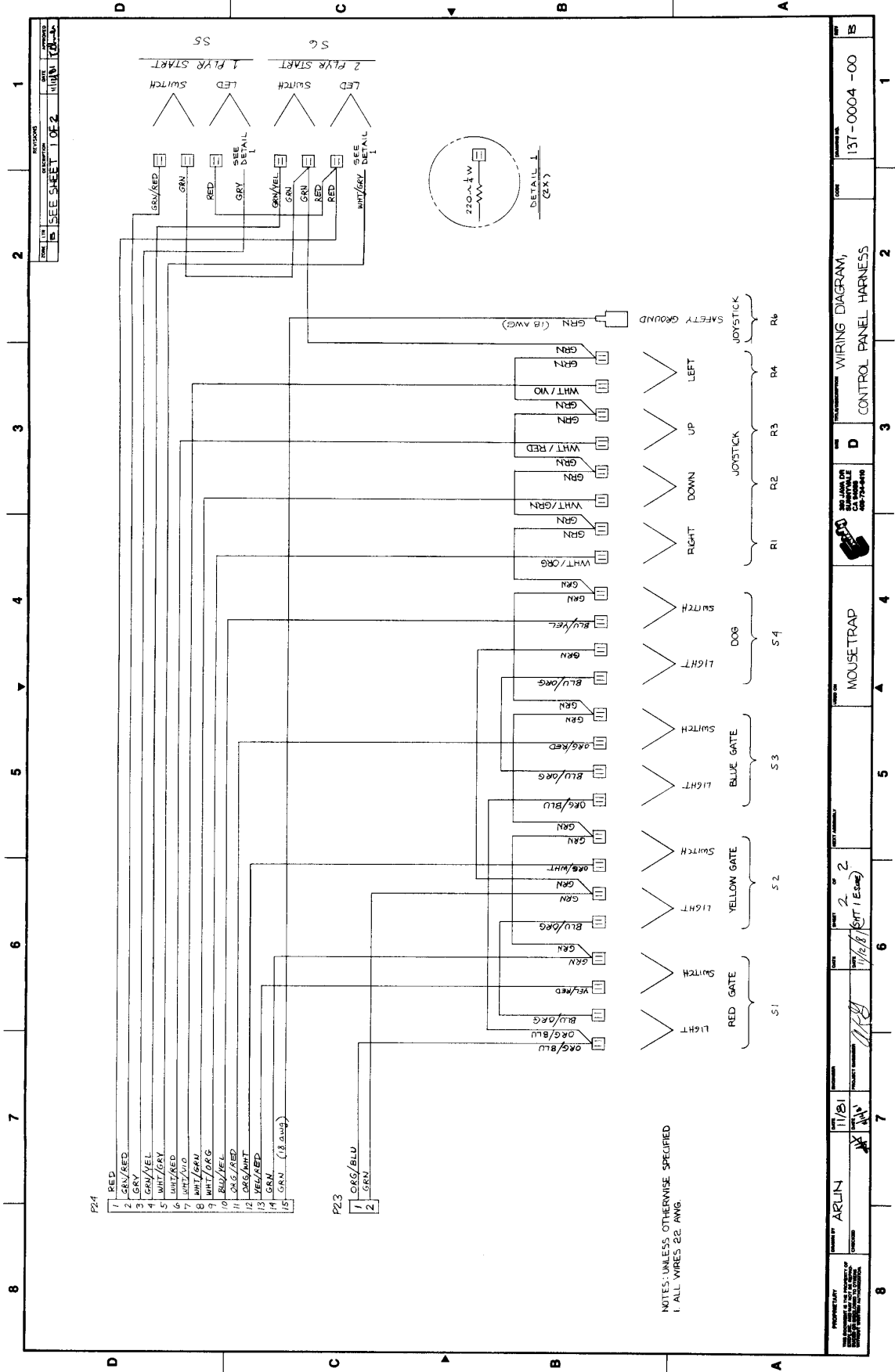
TO PANEL MOUNTED CONNECTOR (P7)

TO TV MONITOR (AC)

TO TV MONITOR (VIDEO)

NOTE: All wires 22 awg unless otherwise specified.

PROPERTY NO.	DATE	ISSUED BY	ISSUED TO	QUANTITY	REMARKS
PROPERTY NO.	DATE	ISSUED BY	ISSUED TO	QUANTITY	REMARKS
PROJECT: ARLEND DRAWING NO: 137-0007-00 TITLE: WIRING DIAGRAM, MAIN HARNESS PART NAME: MOUETRAP (C.V.) PART NO: D QUANTITY: 2 UNIT: 2 DATE: 1/19/81 BY: JKB CHECKED: JKB					



NOTES: UNLESS OTHERWISE SPECIFIED
 1. ALL WIRES 22 AWG

PROPERTY	DATE	BY	REVISION	DESCRIPTION
ARLIN	11/81	ARL	2	WIRING DIAGRAM, CONTROL PANEL HARNESS
DESIGNED BY	DATE	BY	REVISION	DESCRIPTION
ARLIN	11/81	ARL	2	WIRING DIAGRAM, CONTROL PANEL HARNESS
CHECKED BY	DATE	BY	REVISION	DESCRIPTION
ARLIN	11/81	ARL	2	WIRING DIAGRAM, CONTROL PANEL HARNESS
APPROVED BY	DATE	BY	REVISION	DESCRIPTION
ARLIN	11/81	ARL	2	WIRING DIAGRAM, CONTROL PANEL HARNESS
DRAWING NO. 137-0004-00 SHEET 2 OF 2 PART NUMBER 137-0004-00 PART NAME CONTROL PANEL HARNESS DRAWN BY ARLIN DATE 11/81 CHECKED BY ARLIN DATE 11/81 APPROVED BY ARLIN DATE 11/81				

8 7 6 5 4 3 2 1

REVISED	DATE	BY
1	11/11/81	100-0009-00
2		
3		
4		
5		
6		
7		
8		

PI3	WIRE	WIRE
1	RED	J14 1
2	BLU/WHI	BLU/WHI 2
3	BLU	BLU 3
4	GRN	GRN 4
5	GRN	GRN 5
6	GRN	GRN 6
7	18 awg	
8	ORG/BLU	

PG	WIRE	WIRE
1	RED	J24 1
2	GRN/RED	GRN/RED 2
3	GRN/YEL	GRN/YEL 3
4	WHI/GRN	WHI/GRN 4
5	WHI/RED	WHI/RED 5
6	WHI/VIO	WHI/VIO 6
7	WHI/GRN	WHI/GRN 7
8	WHI/ORG	WHI/ORG 8
9	BLU/YEL	BLU/YEL 9
10	ORG/RED	ORG/RED 10
11	ORG/WHI	ORG/WHI 11
12	VEL/RED	VEL/RED 12
13	GRN	GRN 13
14	GRN	GRN 14
15	18 awg	

J23	WIRE
1	ORG/BLU
2	GRN

NOTE: All wires 22 awg, unless otherwise specified.

APPROVED BY ARLIN DATE 11/11/81	PROJECT NUMBER 100-0009-00	DRAWING TITLE WIRING DIAGRAM, CONTROL PANEL INTERCONNECT HARNESS	SHEET NO. 2	TOTAL SHEETS 2	DATE 11/11/81	DRAWN BY [Signature]	CHECKED BY [Signature]
--	-------------------------------	---	----------------	-------------------	------------------	-------------------------	---------------------------

