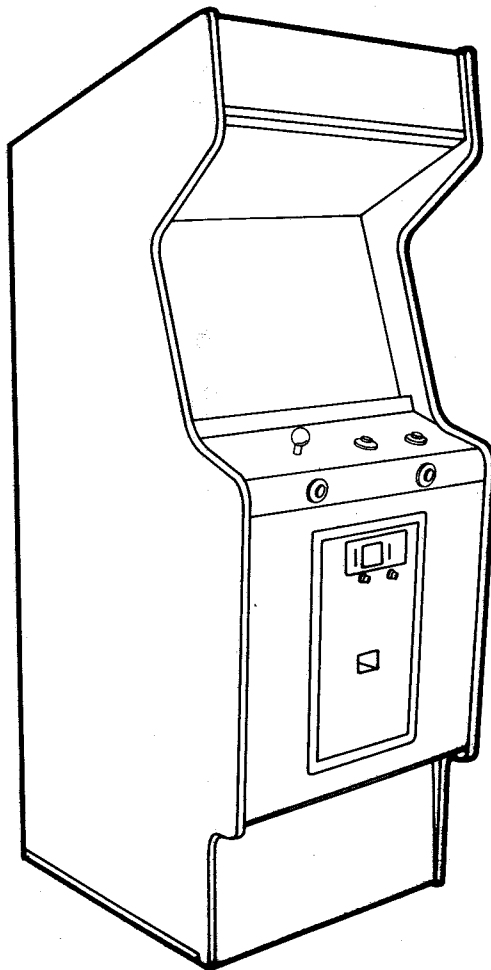


# SEGA

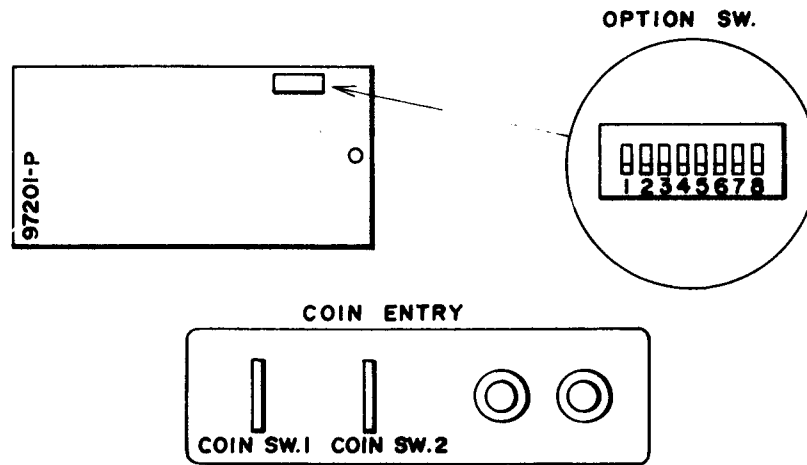
## n - SUB

### Service Manual & Parts Catalog



**SEGA ENTERPRISES LTD.**

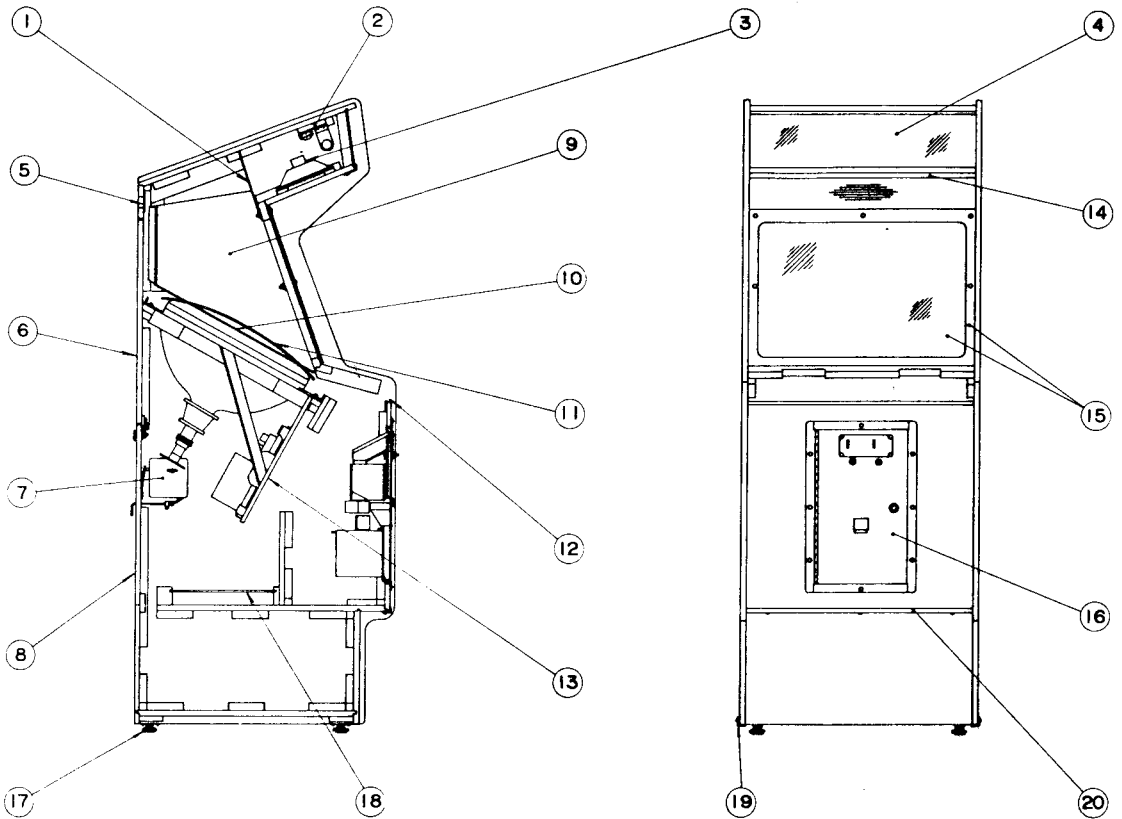
# 3. IC Board (97201-P) Adjustments Coin Calculator



		ON: 0 OFF: X							
		OPTION							
		1	2	3	4	5	6	7	8
COIN SW. 1	1 Coin 1 Play	0	X	X					
	2 Coins 1 Play	X	0	X					
	3 Coins 1 Play	0	0	X					
	4 Coins 1 Play	X	X	0					
	5 Coins 1 Play	0	X	0					
	6 Coins 1 Play	X	0	0					
	7 Coins 1 Play	0	0	0					
COIN SW. 2	1 Coin 1 Play	0	X	X					0
	2 Coins 1 Play	X	0	X					0
	3 Coins 1 Play	0	0	X					0
	4 Coins 1 Play	X	X	0					0
	5 Coins 1 Play	0	X	0					0
	6 Coins 1 Play	X	0	0					0
	7 Coins 1 Play	0	0	0					0
COIN SW. 2	1 Coin 1 Play				0	X	X	X	
	1 Coin 2 Plays				X	0	X	X	
	1 Coin 3 Plays				0	0	X	X	
	1 Coin 4 Plays				X	X	0	X	
	1 Coin 5 Plays				0	X	0	X	
	1 Coin 6 Plays				X	0	0	X	
	1 Coin 7 Plays				0	0	0	X	

NOT USED

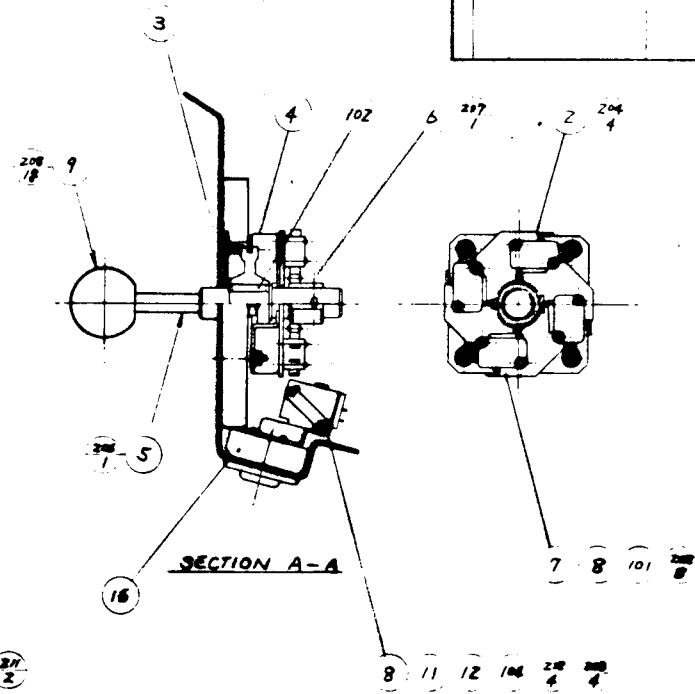
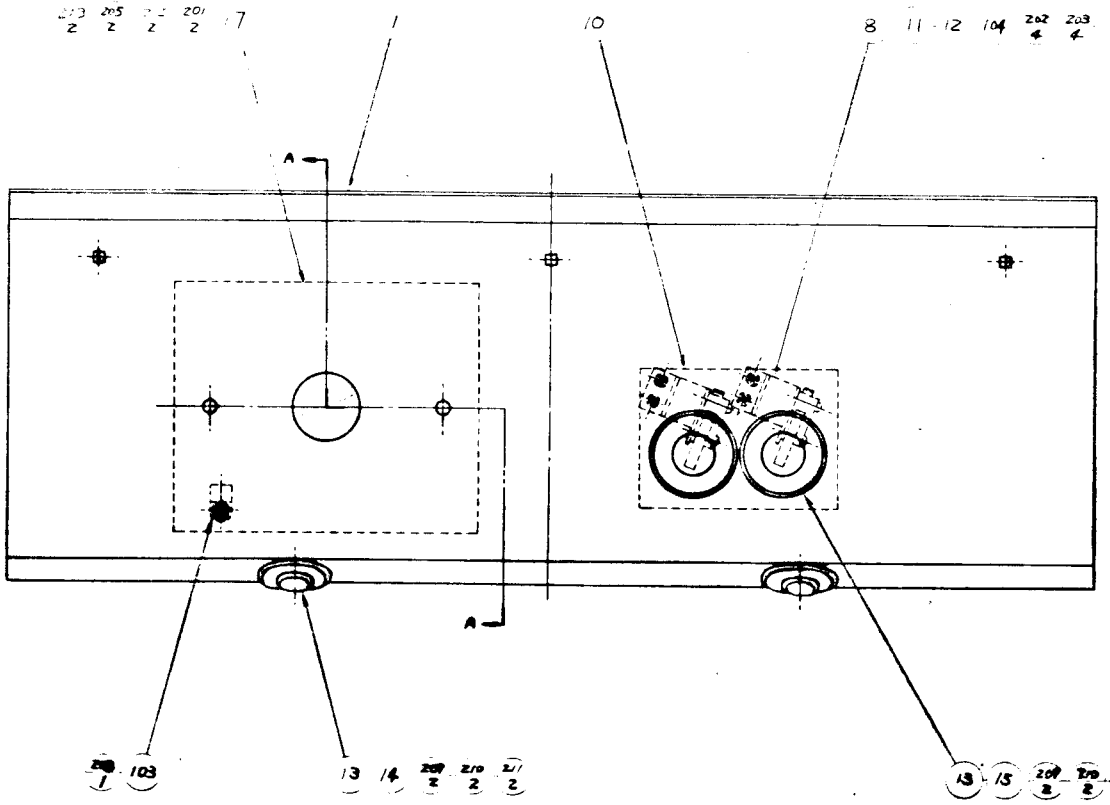
# Cabinet Accessory Assy



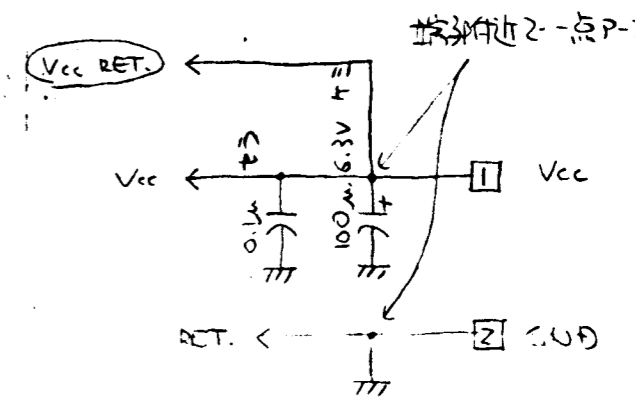
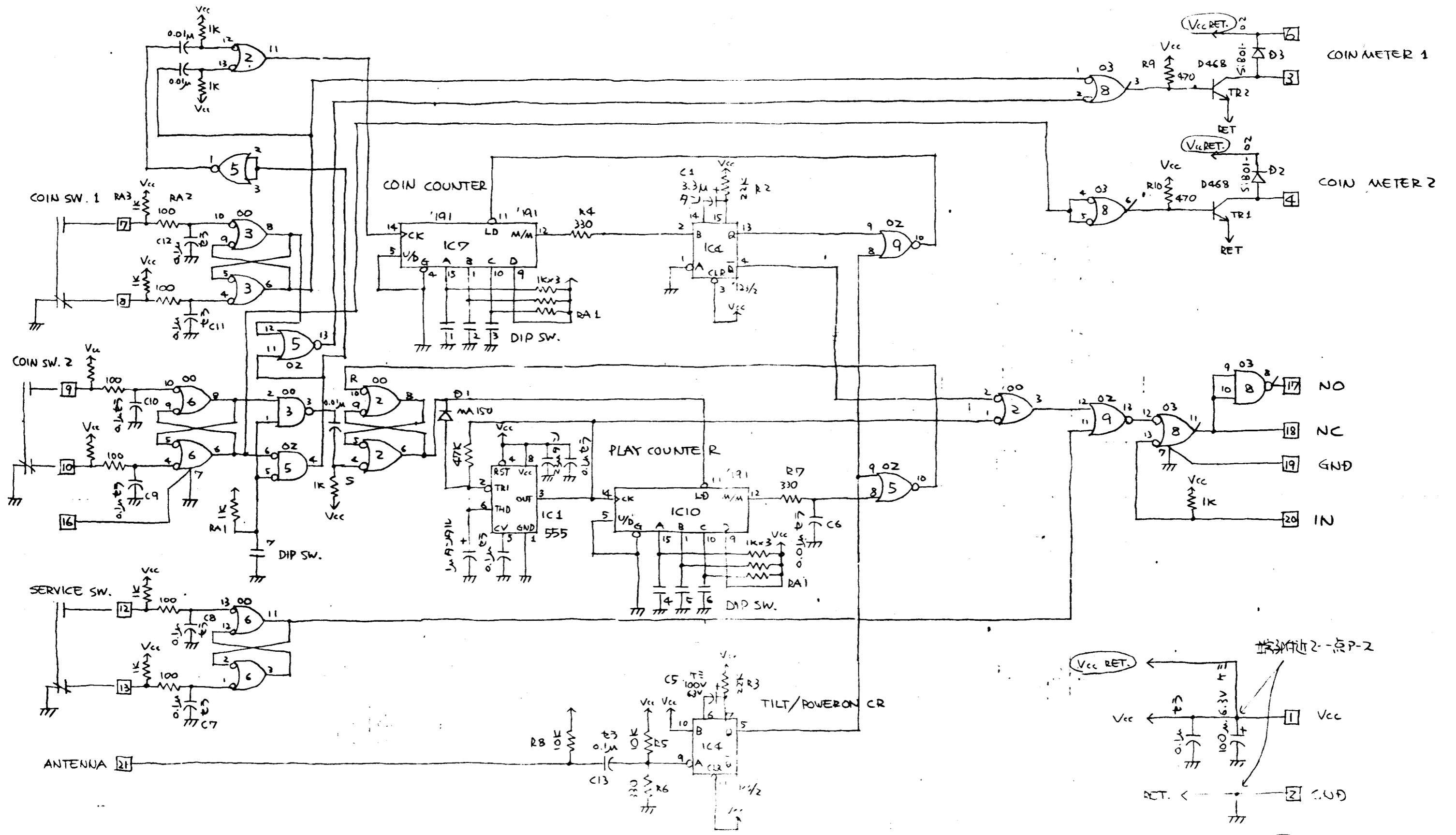
- 1 MR-1015 Light Baffle
- 2 NS-1039 FLUORESCENT LIGHT ASSY,15W  
S-90201 Fluorescent Light,15W
- 3 MR-1009 Speaker Guard Plate  
S-97336 Speaker,230 x 150mm,8Ω,6W
- 4 NS-1028 Top Panel
- 5 TA-1065X Nut Plate  
PT-0015 Net
- 6 MR-1002 Back Door,Upper
- 7 MR-1019 JUNCTION BOX ASSY  
NS-1037 JUNCTION BOX ASSY,200~240V  
(See Page 14 for Detail)
- 8 NS-1038 Back Door,Lower
- 9 NS-1034 Scenery,Right  
NS-1035 Scenery,Left
- 10 NS-1033 Scenery,Rear
- 11 MR-1024 TV Mask
- 12 MR-1005 Trim,Upper
- 13 97232-P CCLOR DISPLAY ASSY,20TYPE,120V  
97397-P CCLOR DISPLAY ASSY,20TYPE,100V
- 14 MR-1007 Ornament Frame
- 15 MR-1013 Window Panel
- 16 MR-1014 Bezel Frame  
MR-1200 COIN CHUTE DOOR & CASH BOX ASSY  
(See Page 16 for Detail)
- 17 M-163-4(L) Leg Adjuster  
Leg Adjuster Bracket
- 18 97399-P-16 IC BOARD ASSY, N-SUB
- 19 NS-1036 Corner Protector
- 20 MR-1006 Trim,Lower

A B C D E F G H I J K L

NO. 102	REV. 1	DATE 10/27/57



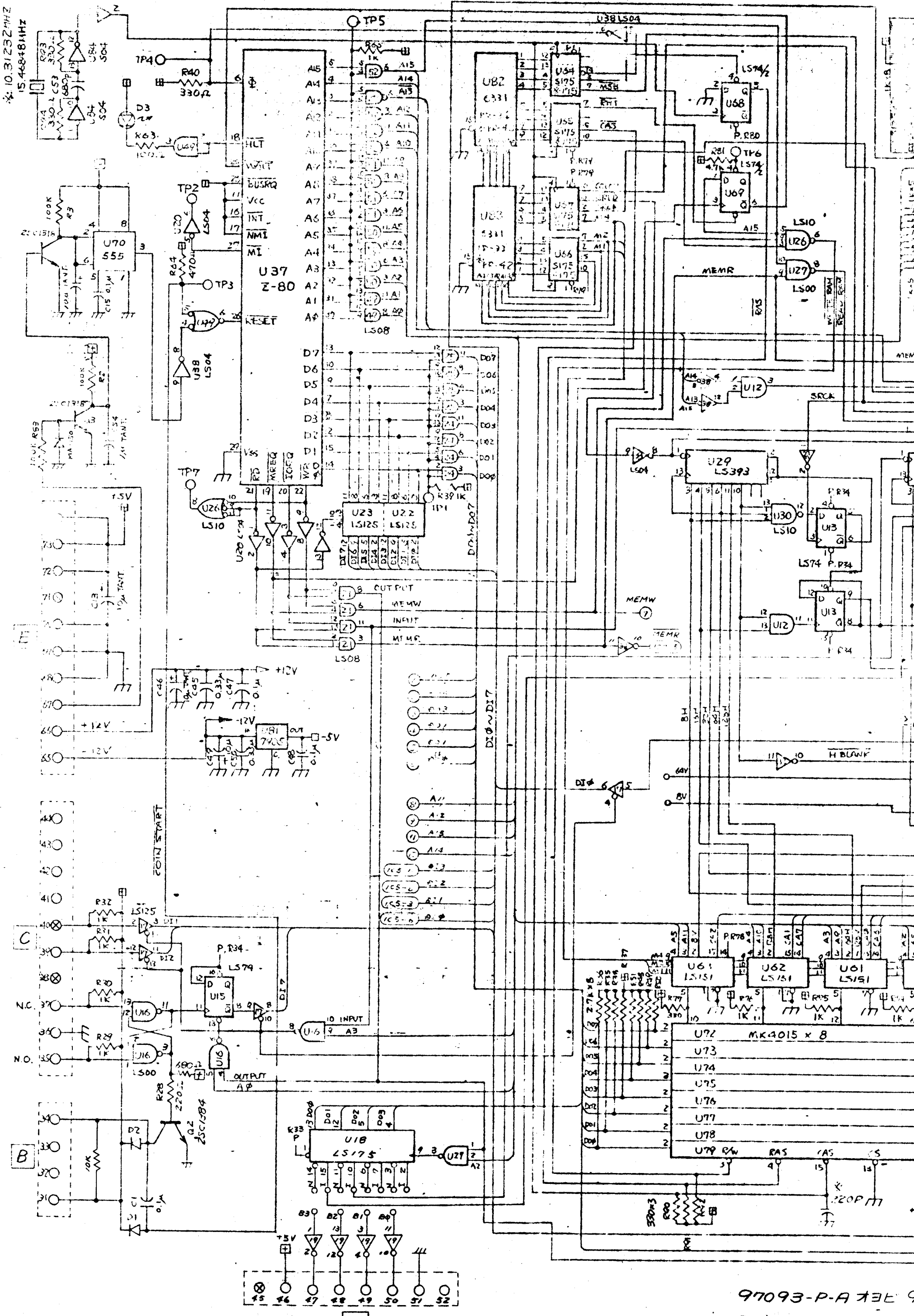
SECA ENTERPRISES LTD.		THIS DRAWING SHALL IN NO WAY BE COPIED TO BE REPRODUCED ON DEMAND	
LIMITS UNLESS OTHERWISE SPECIFIED		3RD A.T. (REV. 01/11/57)	APP. [Signature]
		SCALE 1/2	ASSY [Signature]
		DRW BY [Signature]	CHK'D [Signature]
			DRW [Signature]
INTERNAL	HEAT TREAT	FINISH	REMARK



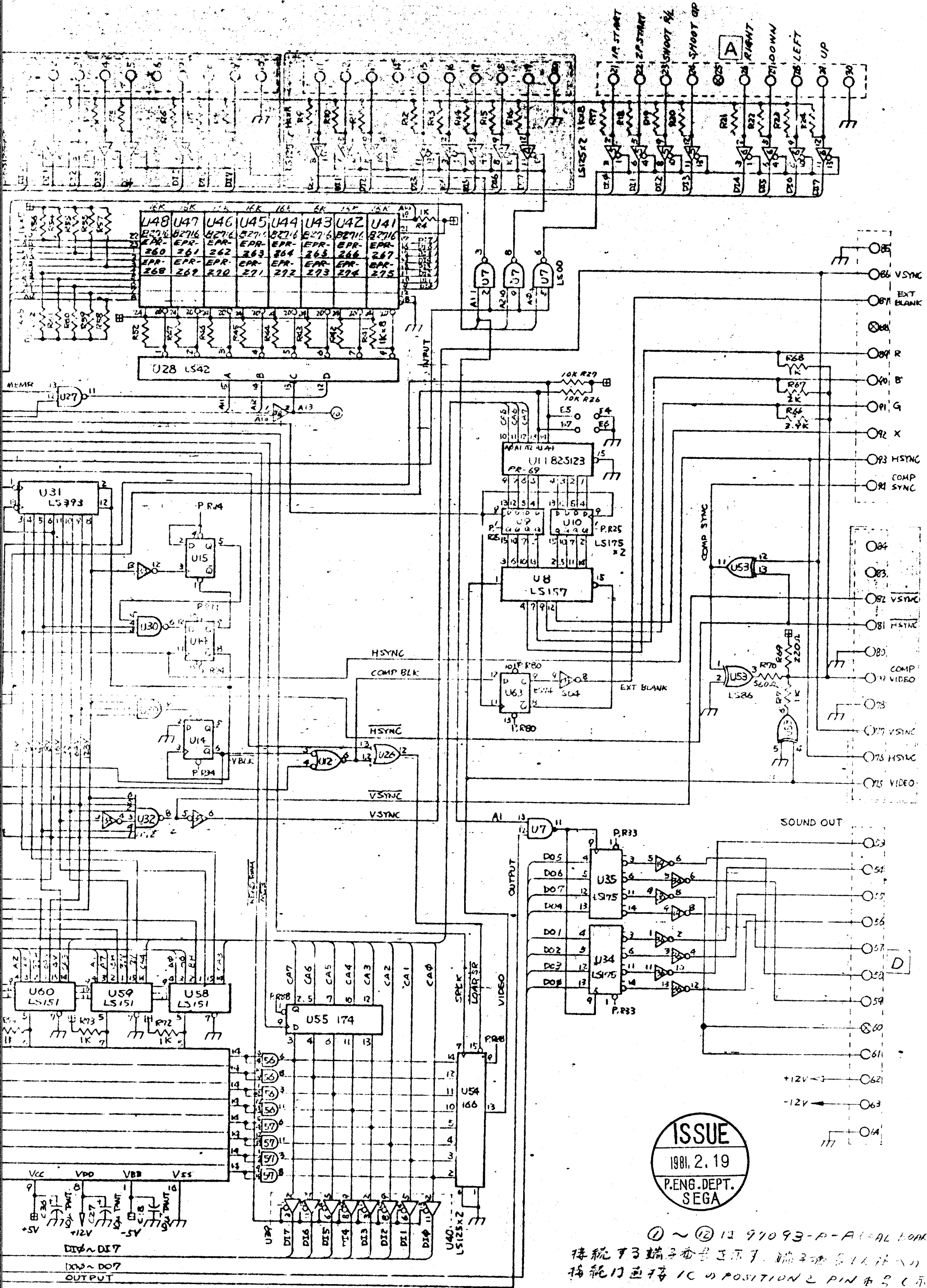
**ISSUE**  
 1981. 2. 19  
 P.ENG. DEPT.  
 SEGA

Δ C9 0.01VOID  
 Δ 1/17-30  
 'S 1/22-30  
 11/20-30

97201-P COIN CALCULATOR, LOGIC DIAGRAM



97093-P-A 73E 9  
CONVERSION INSTR



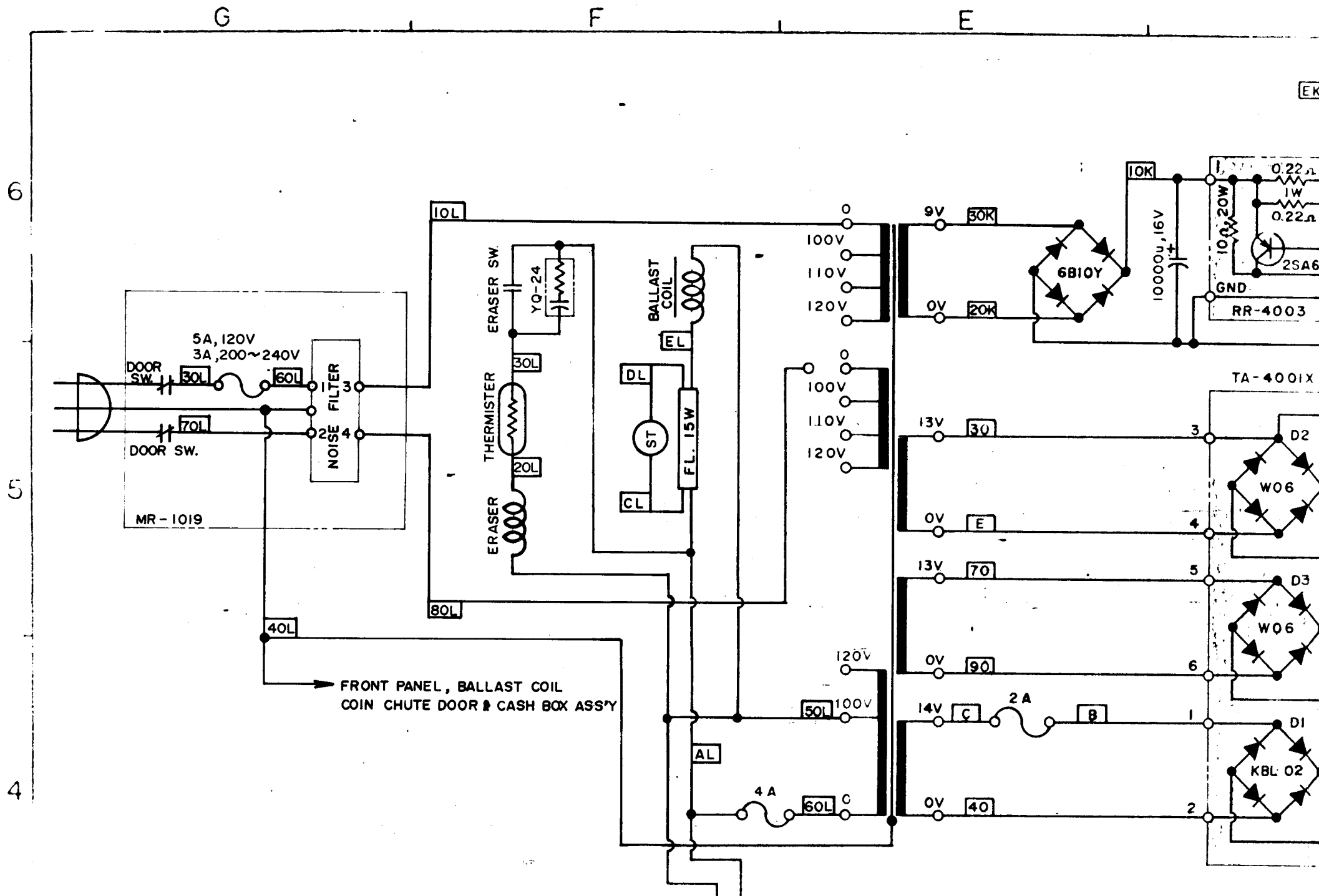
ISSUE  
1981. 2. 19  
P.ENG.DEPT.  
SEGA

① ~ ⑫は 97093-P-A (PAL BOARD) に  
接続する端子番号を示す。端子番号は IC の  
接続位置 IC の POSITION と PIN 番号 (示す)

97394-P-16 (W/PAL) (EPR-260~EPR-267)  
97399-P-16 (W/O PAL) (EPR-268~EPR-275)

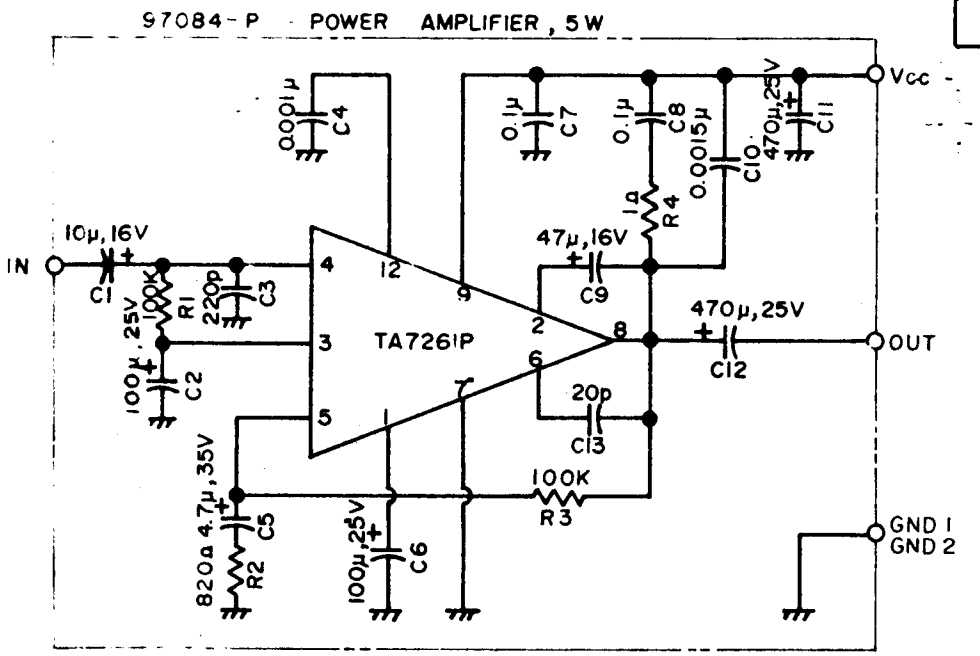
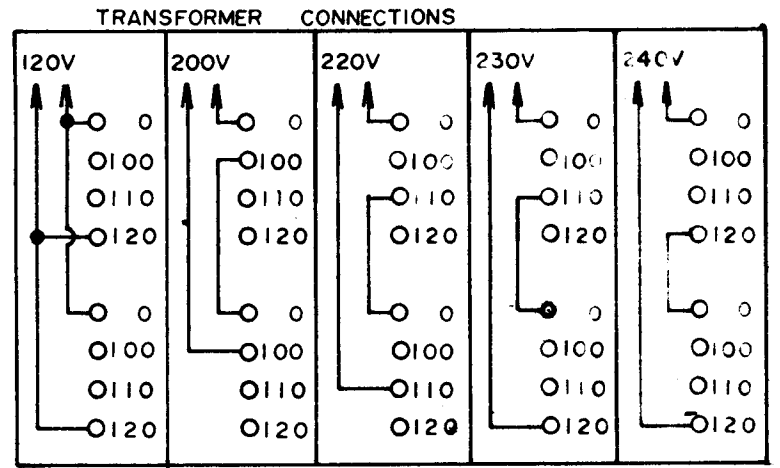
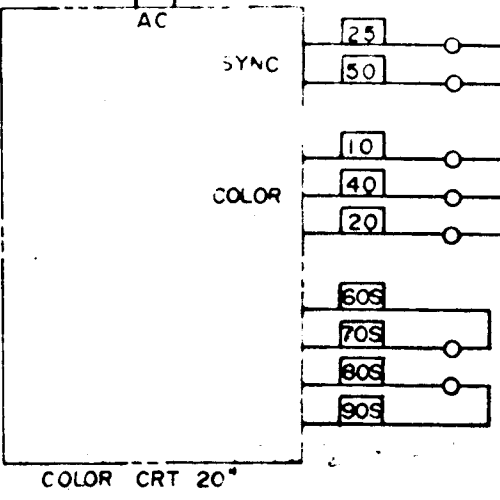
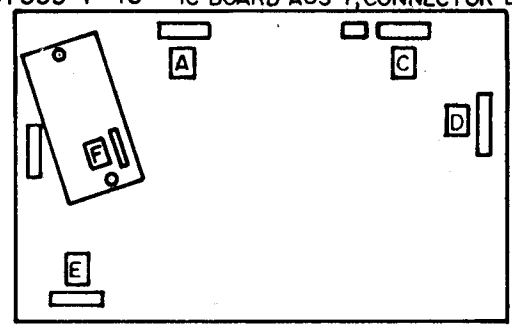
IC BOARD ASSY, N-SUB (UPRIGHT MODEL)

97269-P-B (配線) INST. NO. 407  
INSTRUCTIONS, N-SUB = 31L.

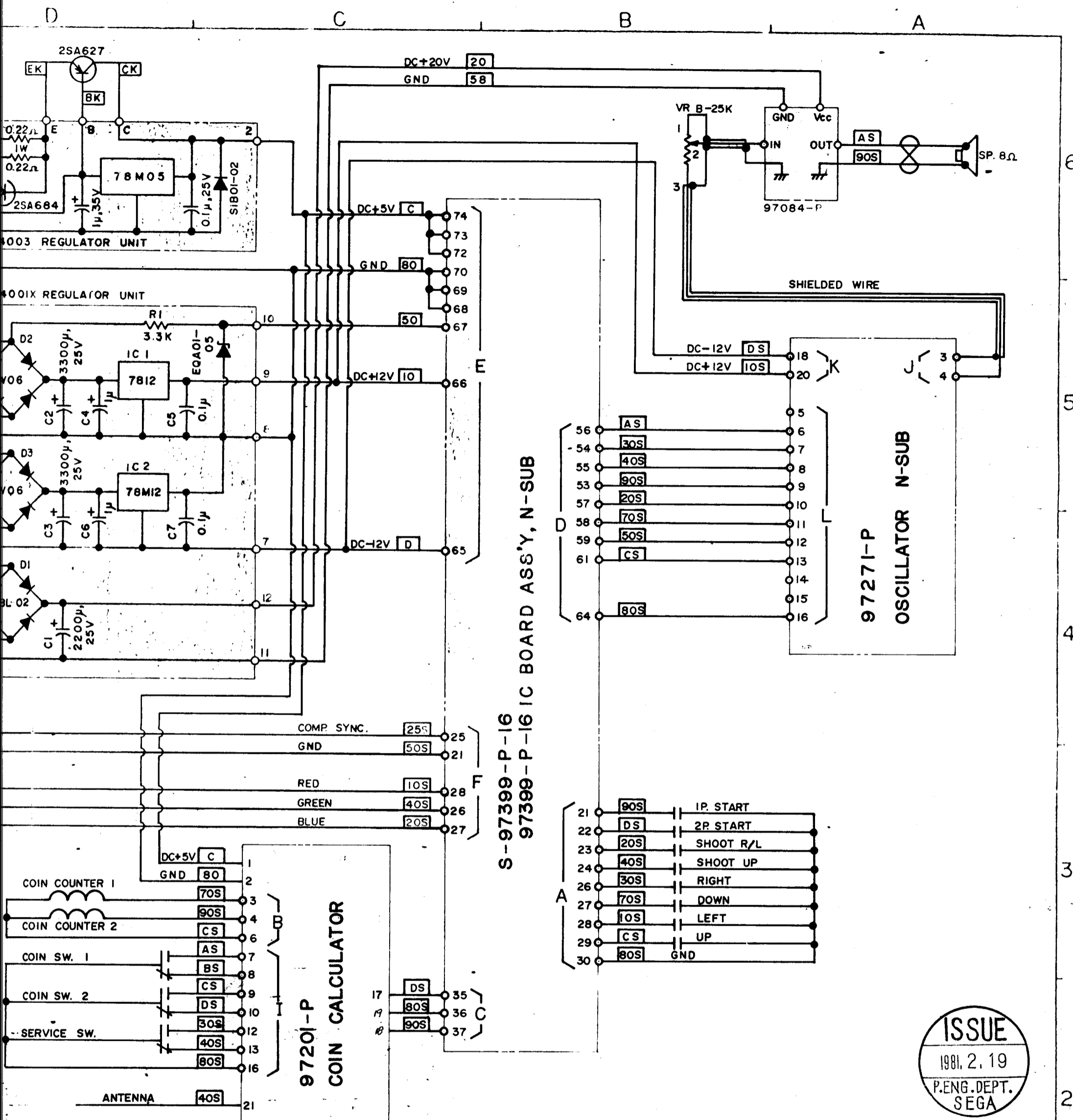


FRONT PANEL, BALLAST COIL  
COIN CHUTE DOOR & CASH BOX ASS'Y

S-97399-P-16  
97399-P-16 IC BOARD ASS'Y, CONNECTOR LOCATION





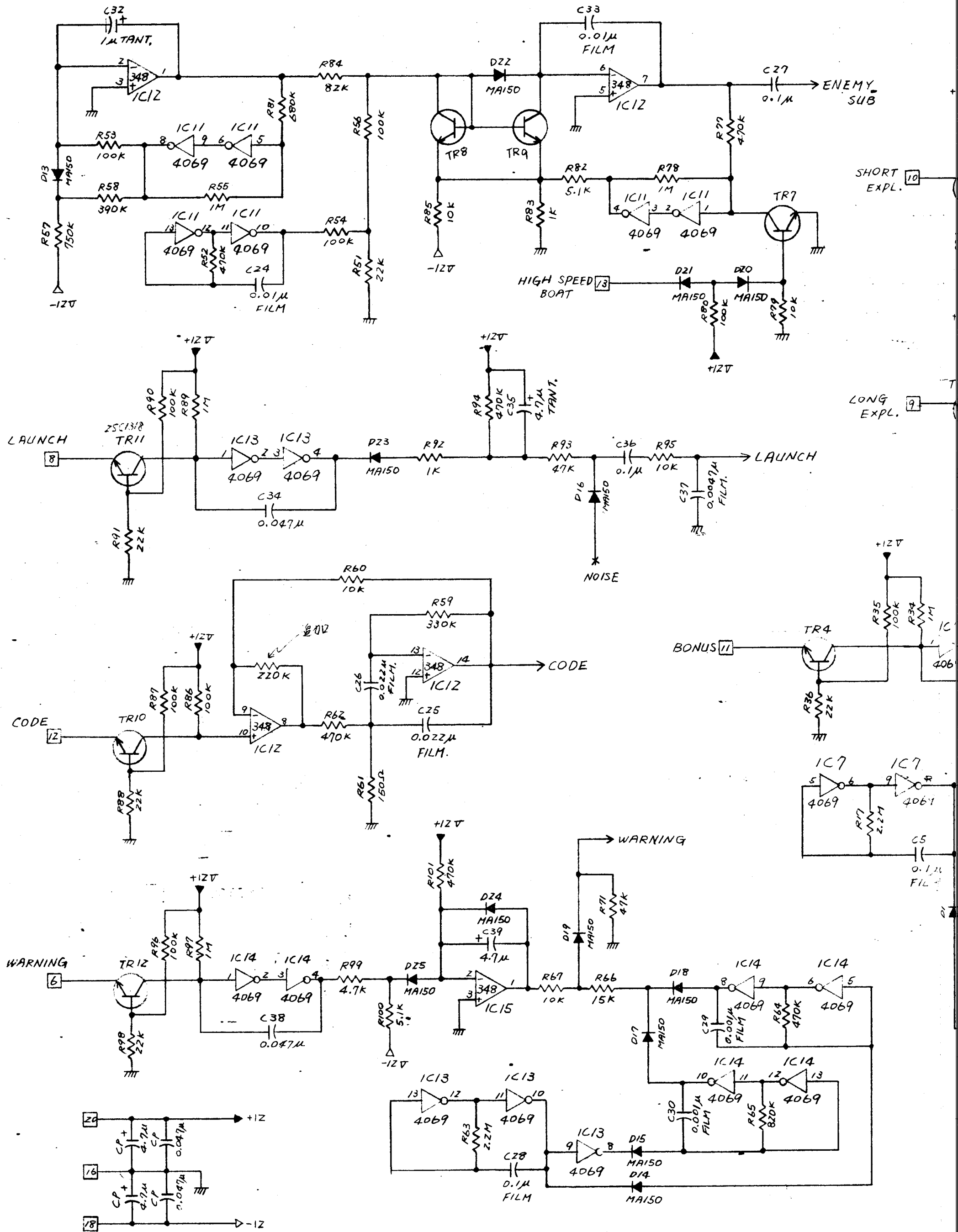


S-97399-P-16  
97399-P-16 IC BOARD ASS'Y, N-SUB



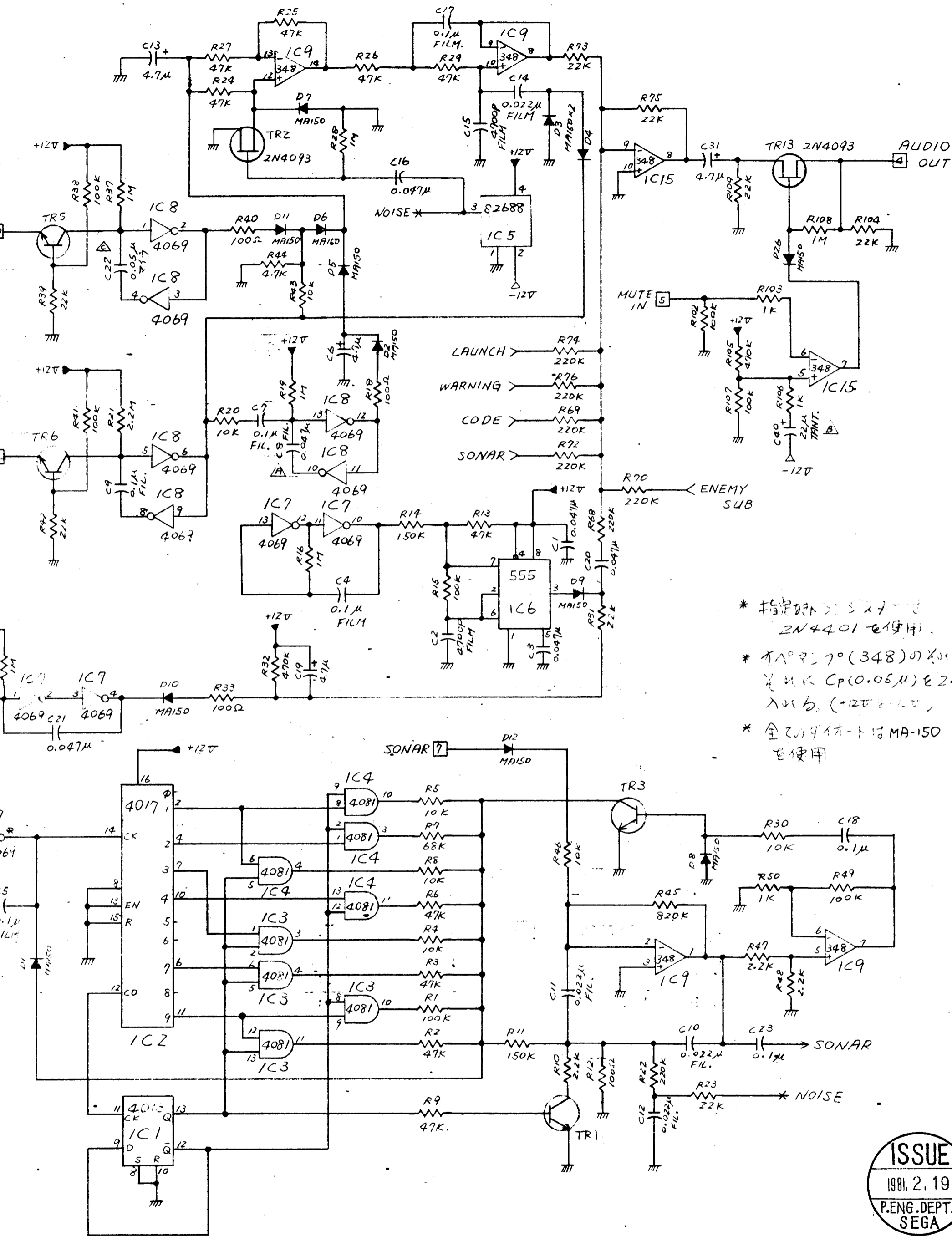
VOLTAGE	110-120V/200-240V	100V	CIRCLE IN THE SWITCH SYMBOLS INDICATES OPERATION BY A MOTOR MAKE AND BREAK SWITCH NORMALLY CLOSED SWITCH OPEN WHEN ENERGIZED NORMALLY OPEN SWITCH CLOSED WHEN ENERGIZED
STAND-BY	W	140W	
MAXIMUM	USA 140W/1A/140V		
POWERS		POWER CONSUMPTION	
9 8 7 6 5 4 3 2 1	9	K KING WIRE (TO BE)	WIRE COLOR CODE L LARGE WIRE J JUMPER WIRE G LIGHT GREEN P PURPLE B BROWN S SKY BLUE A PINK Y GRAY U BLACK 7 CHANGE 6 MAROON 5 WHITE 4 GREEN 3 YELLOW 2 BLUE 1 RED
	8		
	7		
	6		
	5		
	4		
	3		
	2		
	1		
	ALTERATION		
SW 50 AMP SW SWITCH RE RELAY ARE PRESENTATIONS USED			
			APR ASS CKD DRW
			11/12-80 11/2-80 1/2-80
			SGB-2844
			T W C CHART NO
			381-1
			SCHEMATIC DIAGRAM NO

SEGA N-SUB (100-240V) (50-60HZ) 381-1



97271-P

OSCILL



- \* 指定値より27%の  
2N4401を使用
- \* 入力抵抗70(348)の  
1/2μK Cp(0.05μ)を24  
入出力(+12Vと-12V)
- \* 全204材料はMA-150  
を使用

ISSUE  
1981. 2. 19  
P.ENG.DEPT.  
SEGA

△ C22 WAS 27 1/2-'80  
△ C40 WAS 43 1/2-'80  
△ C8 WAS 23 1/2-'80

10. 14 1981  
10/8-80  
10/12-80

LLATOR N-SUB