

SAMMY MULTI VENDING SYSTEM



***PRIZE PARTY
4 INCH KIT
INSTALLATION MANUAL***

 **Sammy USA Corporation**

901 CAMBRIDGE DRIVE
ELK GROVE VILLAGE, IL 60007
TEL: (847)364-9787 FAX: (847)364-9831
TOLL-FREE: 1-888-US-SAMMY
WWW.SAMMYUSA.COM

Part#: 67-30-302

CONTENTS

1. SPECIFICATIONS OF CABINET	2 to 5
4"KIT CABINET	3
CAPSULE VENDER UNIT, HANDLE UNIT	4
HOOPER UNIT, HANDLE MECH UNIT	5
2. SET UP OF GAME	6 to 9
BEFORE ADDING THE 4"KIT TO PRIZE PARTY	6
INSTALLATION OF CONNECTOR KIT	6
SET UP OF 4" KIT	7
JOINT 4" KIT TO PRIZE PARTY	8,9

WARRANTY

1. SPECIFICATIONS OF CABINET

SIZE: W = 22.5" (572 mm)
D = 21.7" (550 mm)
H = 64.2" (1630 mm)
WEIGHT: 188 lbs (85 kg)

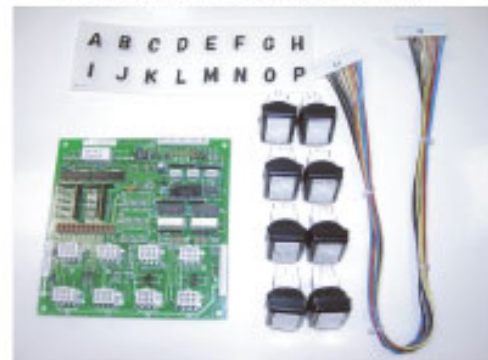
Capacity: 50 pcs x 2 heads = 100 pcs



ATTENTION!

You need CONNECTOR KIT see below.
(You DO NOT need CONNECTOR KIT
when you remove
2 of Two Caspule heads cabinets
from Prize Party.)

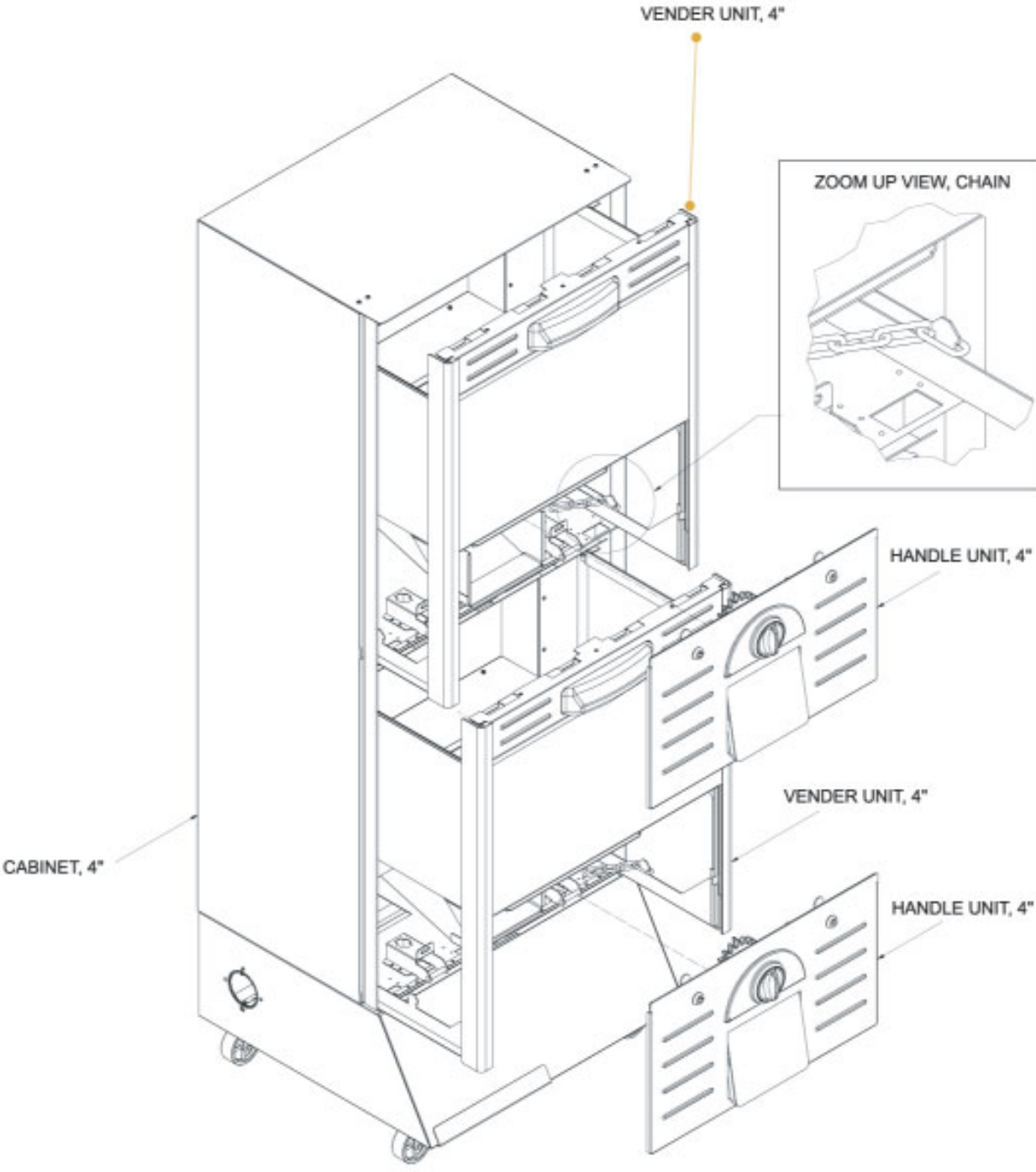
CONNECTOR KIT



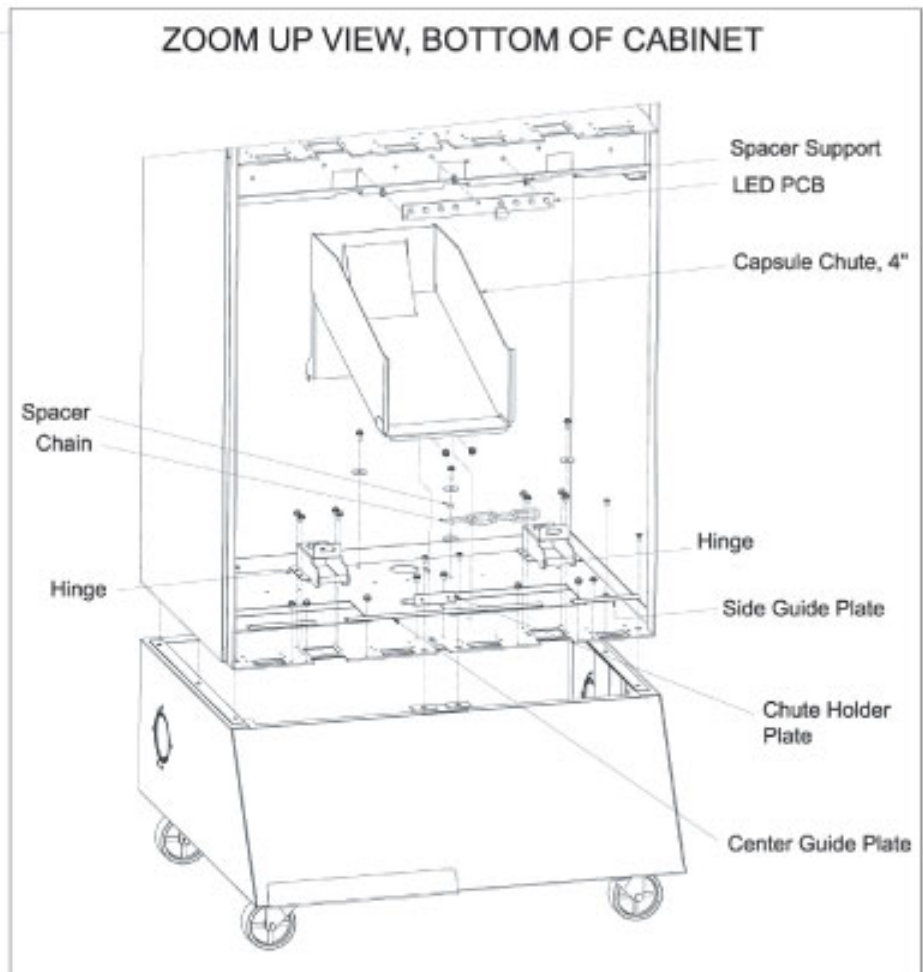
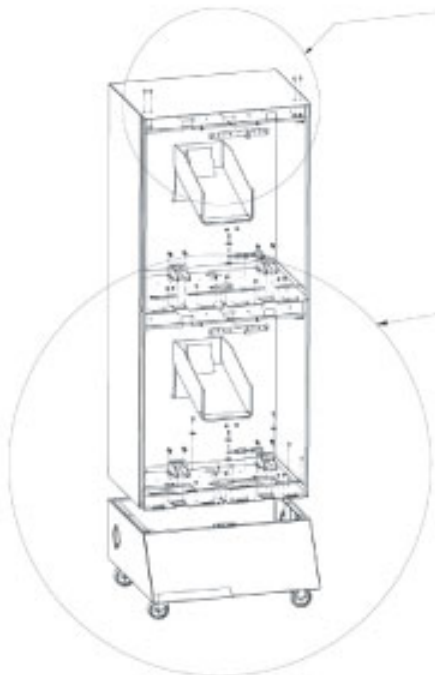
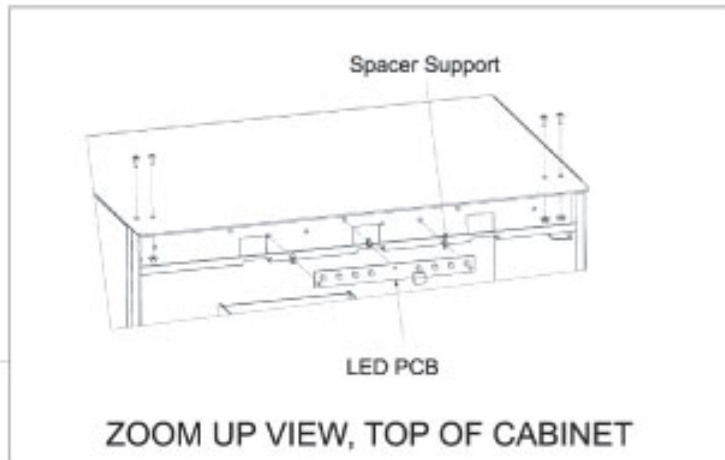
Includes:
I/O Board (1)
Square push button (8)
Connector harness (1)
Button Label set (A to P, 16 letters)

(ALSO AVAILABLE IN ALL BLACK FACE PLATE)

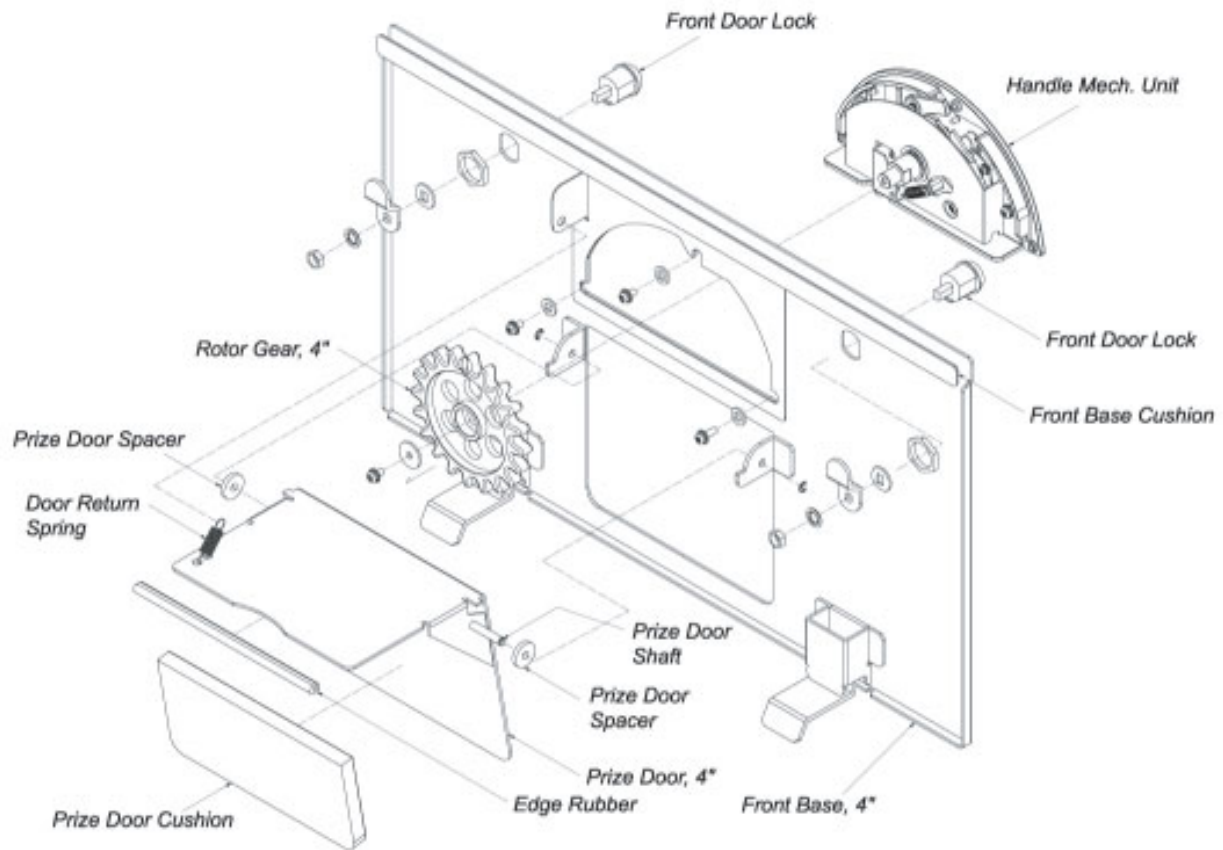
4" CABINET



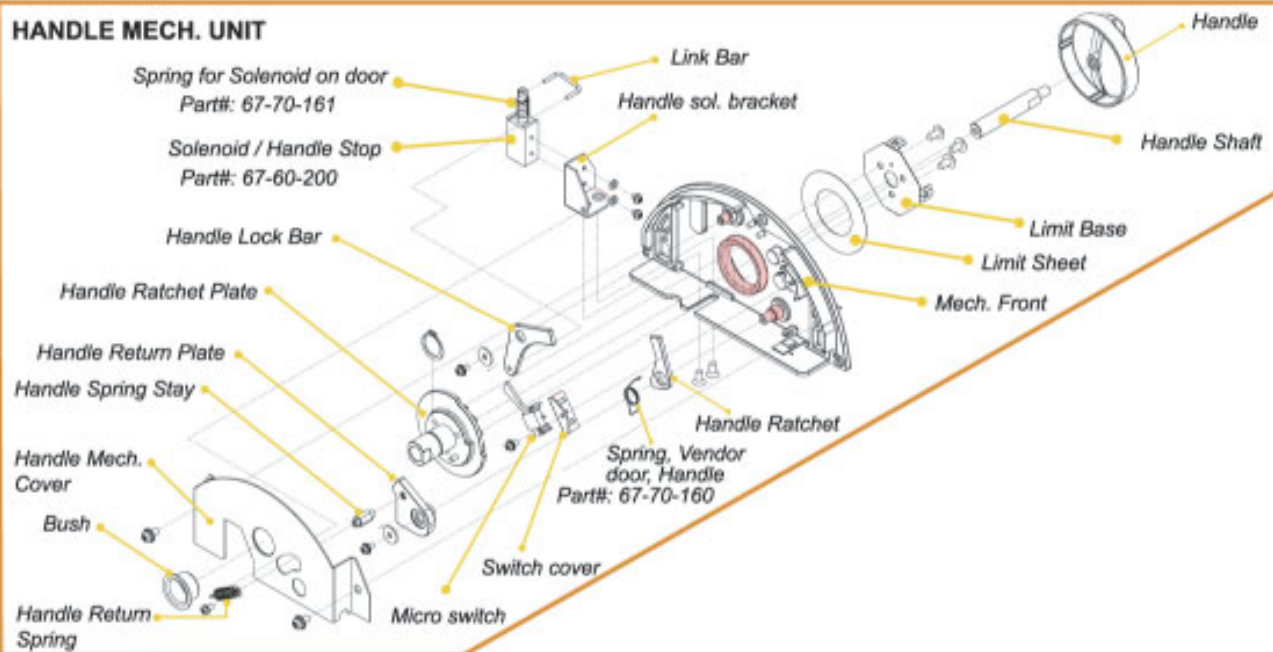
4" CABINET, INSIDE



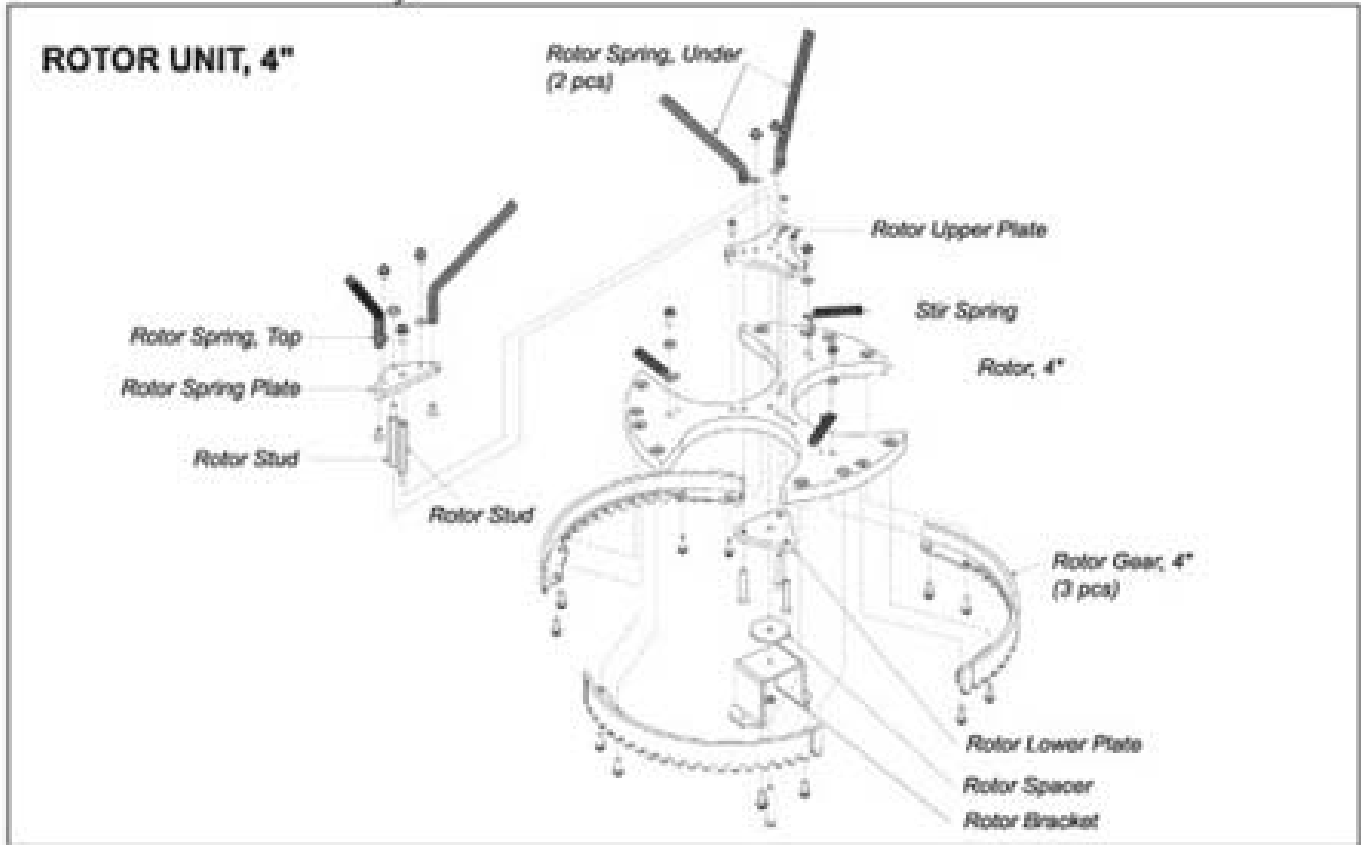
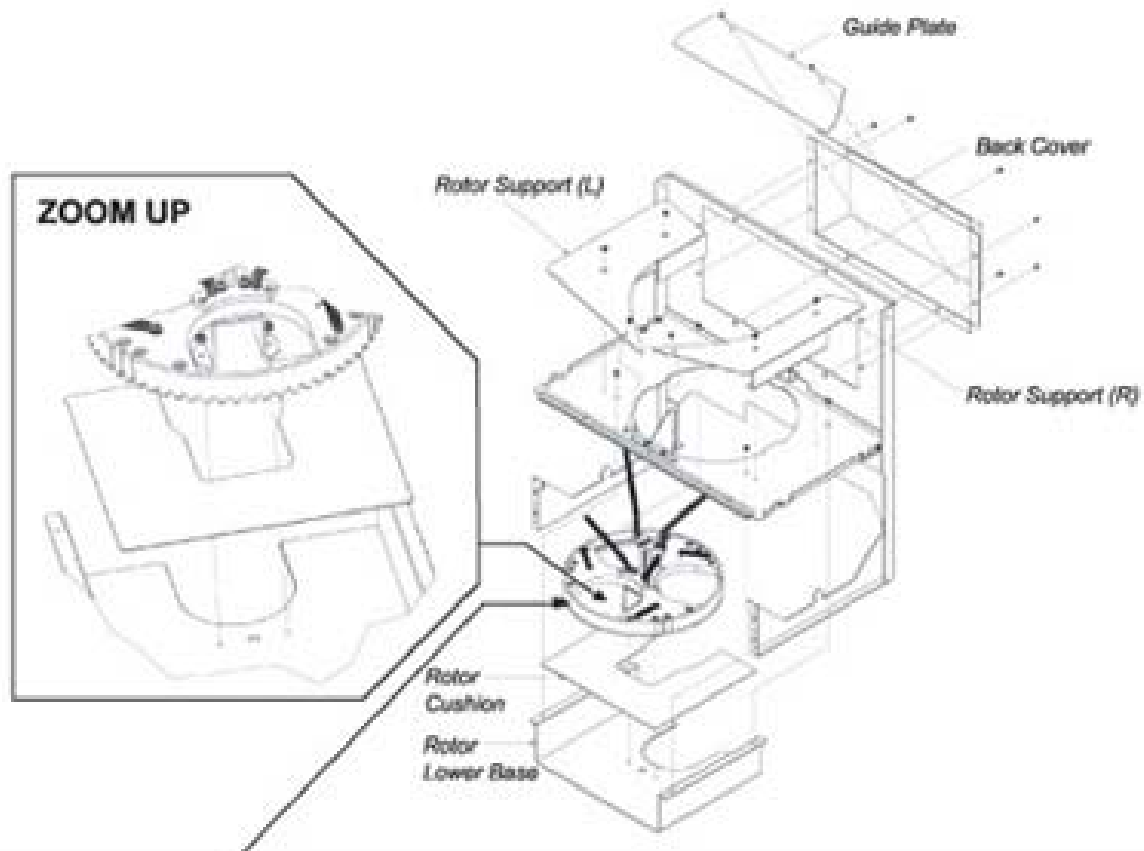
HANDLE UNIT, 4"



HANDLE MECH. UNIT



VENDER UNIT, 4"



2. SET UP OF MACHINE

BEFORE ADDING THE 4" KIT TO PRIZE PARTY

Before you start, please note the layout of each head and Square select buttons for Prize Party. Installation time will vary depending on where you joint the Sticker kit. Please see note below.

RIGHT END >>> Shorter installation time. Head of 4" KIT are "I and J."

You do not need to re-position the original 8 Square select buttons.

You do not need to change the Price sheet of each head & position of Square buttons on original Prize Party.

LEFT END >>> Longer installation time because A) Need to move Square Select button position and wiring. B) Sticker KIT is (Or Middle) "A and B." So, the 8 Price sheets of original 8 Capsule heads now should be "C,D,E,F,G,H,I and J."

INSTALLATION OF CONNECTOR KIT TO PRIZE PARTY

Open CONNECTOR KIT box.

Mount the Square buttons using Letter sheet. (Use I and J)

Plug 2 terminal wires into each of the 2 buttons.

Mount the I/O Board to the back bottom of cabinet.

Connect Connection Harness between 2 of the I/O Boards.

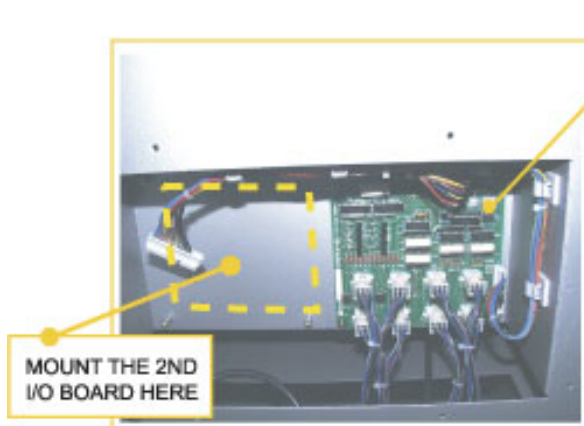


WIRING OF BUTTONS

There is a mark on each button terminal. (G1 to G16, Example, A = G1)

Button "I" = Connect 2 terminals with marking "G9"

Button "J" = Connect 2 terminals with marking "G10"



MOUNT THE 2ND I/O BOARD HERE

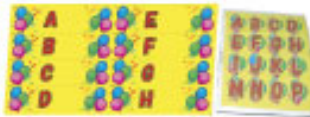
BACK BOTTOM VIEW OF CENTER UNIT



Connection Harness

SET UP OF 4" KIT

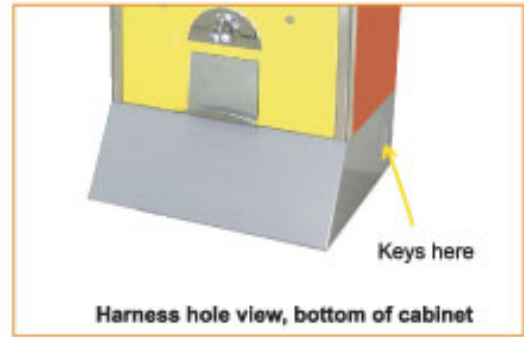
Remove 4" kit from the packing box and take off the keys from bottom of harness hole.
Open the top & bottom door of 4" kit and then remove Price sheet set and Joint bracket set.



Price sheet set



Joint bracket set



Harness hole view, bottom of cabinet

Place (Tape) the Display card (NOT supplied with kit, you will need to get on your own) and Price Sheets on the inside of the Front Glass.
Refer to image on the right.

Price Sheet

Display card



Fill the 4" Capsules into 4" kit.
(Capacity = About 50 pcs each top and bottom, total 100 pcs)

Before you close the front door of each head, make sure that tooth of gears fit. Refer below. (If not, you can not lock the door or payout)

Match long notch on Rotor to one long tooth of Handle gear. (Manually spin Rotor to move the position of notch until they match.)



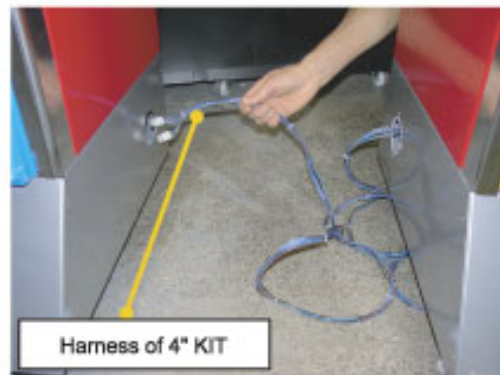
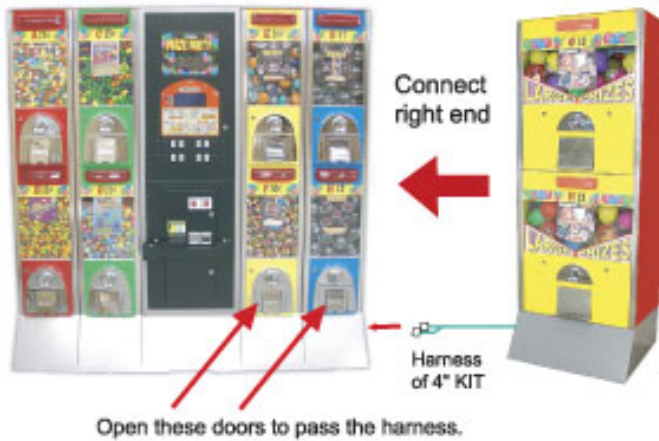
Long Notch on Rotor

Long tooth on Handle gear

JOINT 4" KIT TO PRIZE PARTY

Remove Harness Hole Cover from bottom right end of Prize Party.
Place 4" KIT to right side of Prize party.

Pass the harness of 4" KIT thru the bottom cabinet of Prize Party before joint.
Open front door of bottom heads of prize party.
Move the harness until it reaches I/O board that is located in back bottom of center unit of Prize Party.



Connect 2 connectors of 4" KIT to new (2nd) I/O board.

I/O board (2nd)

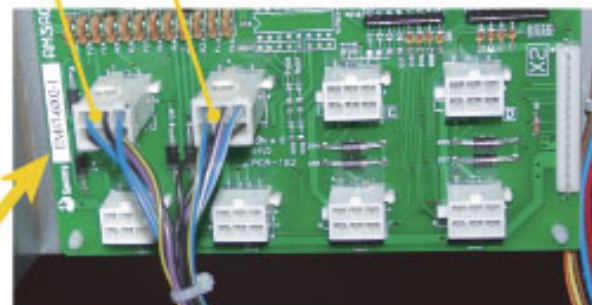
BACK BOTTOM VIEW OF CENTER UNIT



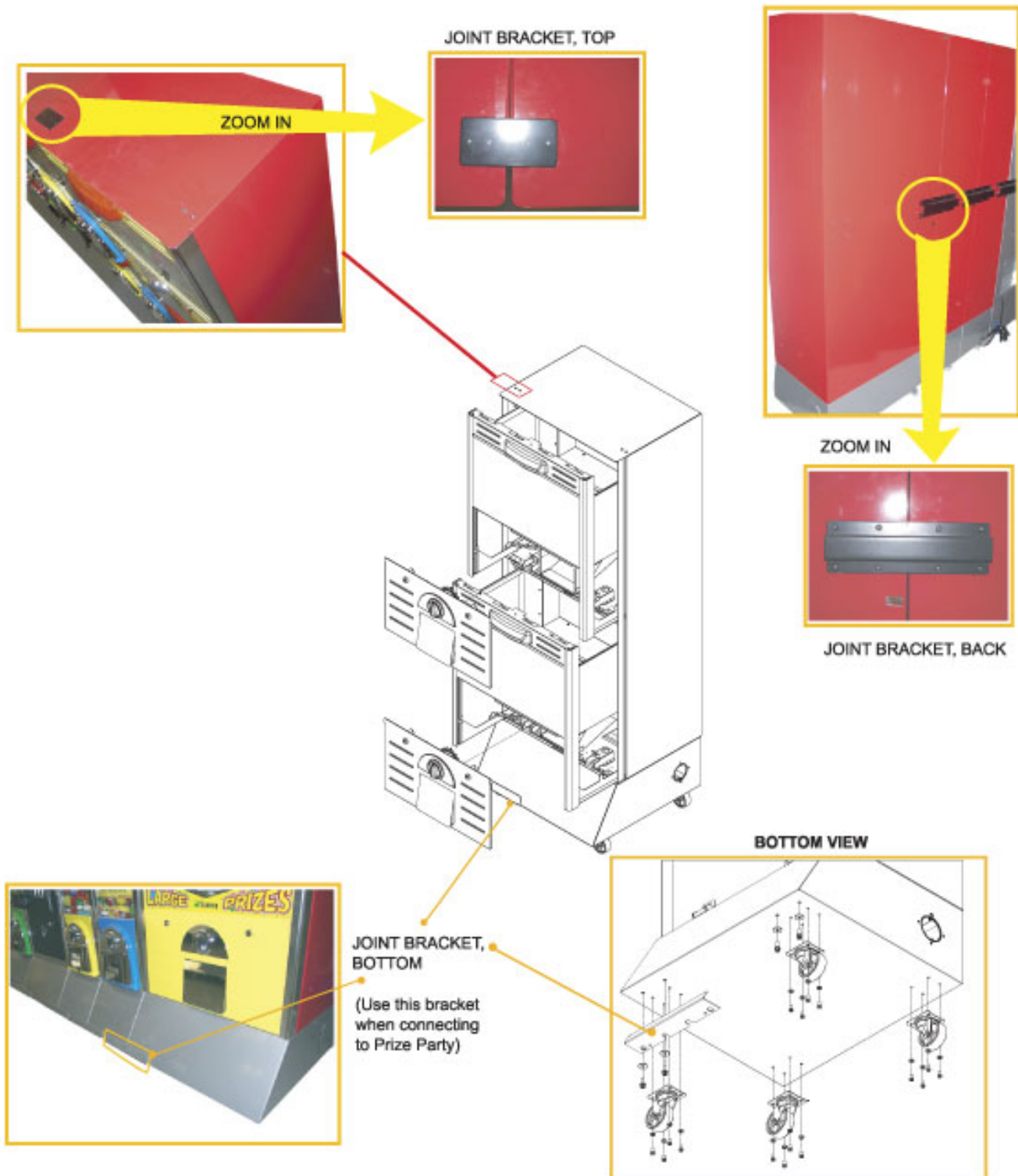
Sticker Slot "I" (Top Left) 1L

Sticker Slot "J" (Bottom Left) 2L

ZOOM UP



Use Joint bracket set (2 kinds) and Bottom Joint bracket which is located on bottom front of 4" KIT to join the 4" KIT and Prize Party cabinet. For mounting the TOP JOINT BRACKET, you need to open front door of 4" KIT top and head G because you need to tighten screw from the inside.



WARRANTY

Limited warranty, Repair and Return Policy

Sammy USA Corporation warrants all products to be free from defective materials and workmanship for a period of thirty (30) days from the Sammy USA Corporation invoice date unless otherwise specified in writing by Sammy USA Corporation. The extent of this warranty applies to all electronic assemblies only, and does not include lamps and fuses.

This limited warranty is invalid for any product that upon examination, is deemed to have been subject to misuse, improper repair or installation, neglect or violation of specification or other instructions published by Sammy USA Corporation.

There are no additional warranties described above.

The limited warranties described above shall be in lieu of any other warranty, express or implied, including but not limited to any implied warranty of merchantability or fitness for a particular purpose.

Return Merchandise Authorization

1. Contact your authorized Sammy USA distributor to receive a Return Merchandise Authorization for return.
2. You must obtain RMA numbers from Sammy USA Corporation through an authorized Sammy USA distributor. Please have your serial number available when calling for RMA number.
3. All items must have an RMA number marked clearly on the outside of the package.
4. Products must be shipped prepaid. Products returned without an RMA number will not be accepted.
5. Credits to accounts are subject to inspection of products for damage and suitability for resale.