

SAMMY MULTI VENDING SYSTEM



PRIZE PARTY STICKER KIT

INSTALLATION MANUAL

 **Sammy USA Corporation**

901 CAMBRIDGE DRIVE
ELK GROVE VILLAGE, IL 60007
TEL: (847)364-9787 FAX: (847)364-9831
TOLL-FREE: 1-888-US-SAMMY
WWW.SAMMYUSA.COM

Part#: 67-30-301

CONTENTS

1. SPECIFICATIONS OF CABINET	2 to 5
STICKER CABINET	3
CARD VENDER UNIT, HANDLE UNIT	4
HOLDER UNIT, HANDLE MECH UNIT	5
2. SET UP OF GAME	6 to 9
BEFORE ADDING THE STICKER KIT TO PRIZE PARTY	6
INSTALLATION OF CONNECTOR KIT	6
SET UP OF STICKER KIT	7
JOINT STICKER KIT TO PRIZE PARTY	8,9

WARRANTY

1. SPECIFICATIONS OF CABINET

SIZE: W = 11.25" (286 mm)
D = 21.7" (550 mm)
H = 64.2" (1630 mm)

WEIGHT: 100 lbs (45 kg)

Capacity of Sticker: 230 pcs X 4 Heads = 920 PCS



ATTENTION!

You need CONNECTOR KIT as below.
(You DO NOT need CONNECTOR KIT
when you remove
2 of Two Caspule heads cabinets
from Prize Party.)

CONNECTOR KIT



Includes:

I/O Board (1)

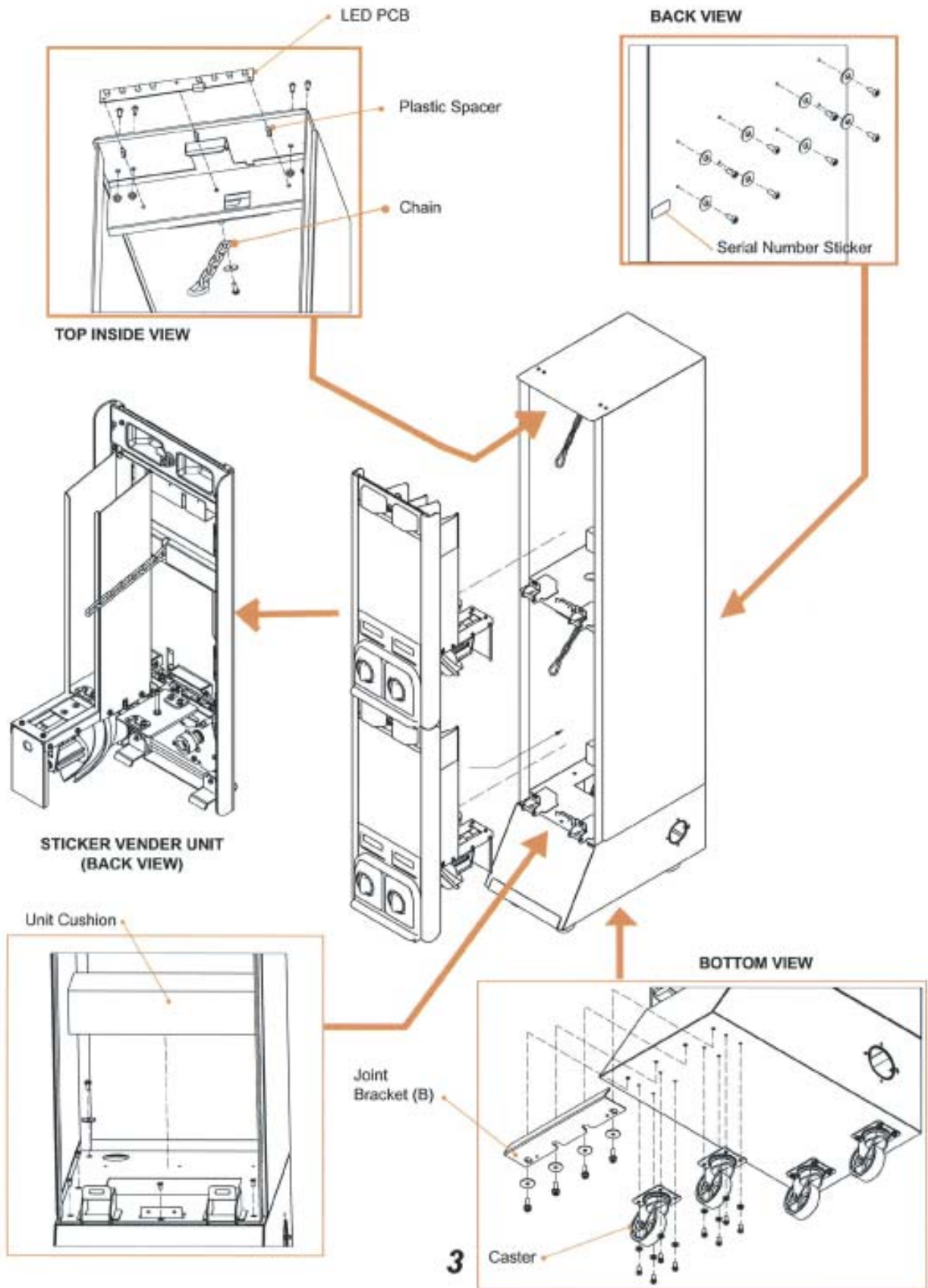
Square push button (8)

Connector harness (1)

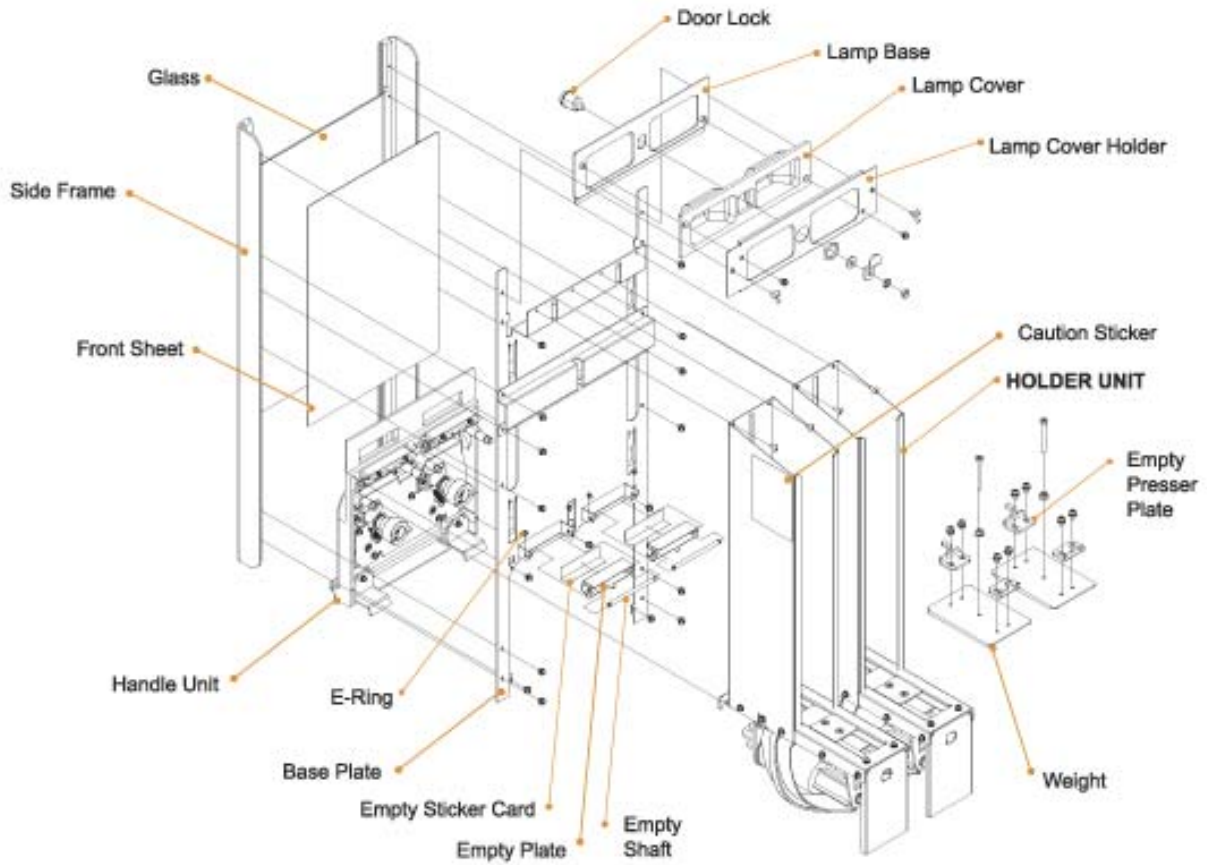
Button Label set (A to P, 16 letters)

(ALSO AVAILABLE IN ALL BLACK FACE PLATE)

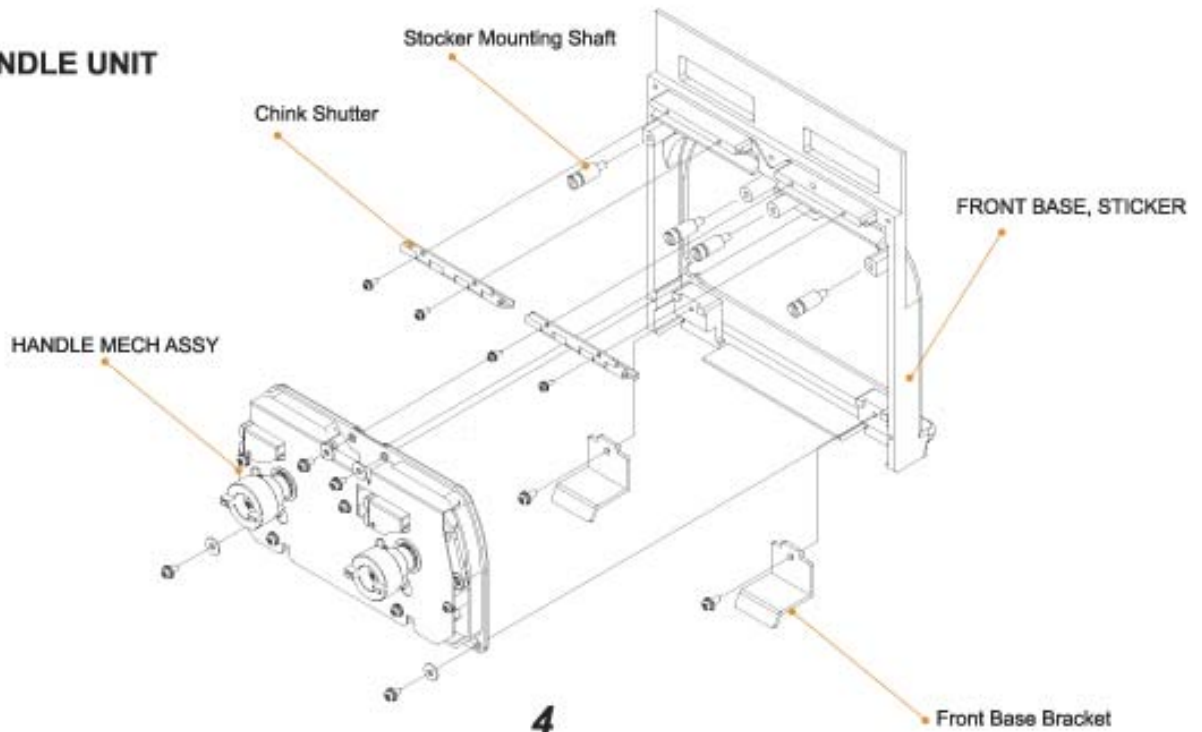
STICKER CABINET



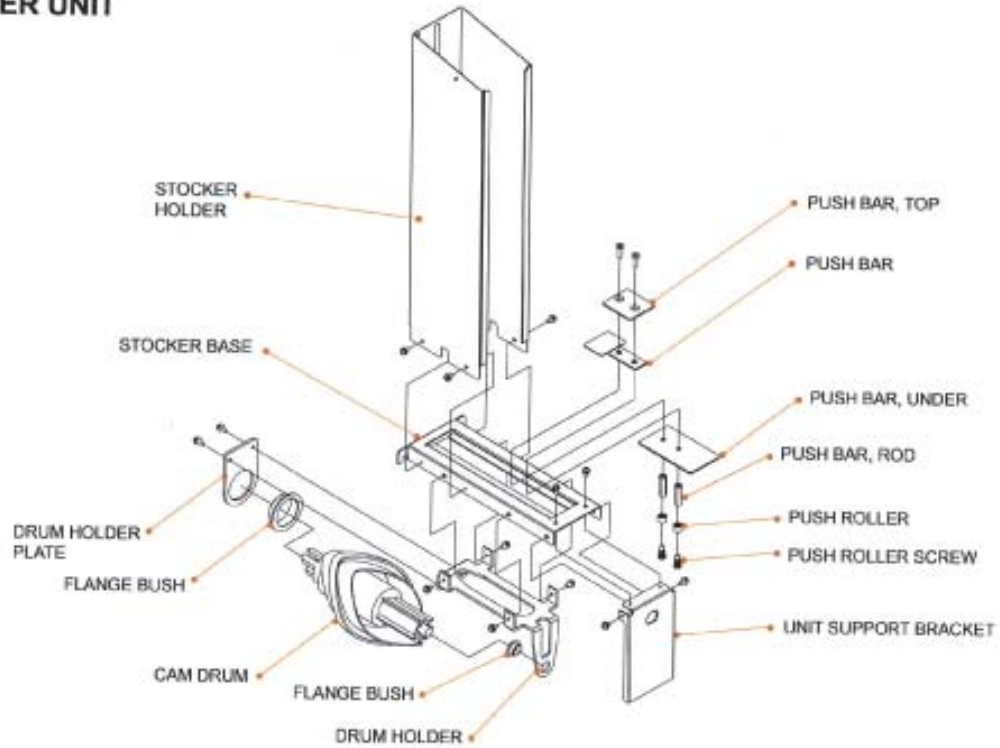
CARD VENDER UNIT



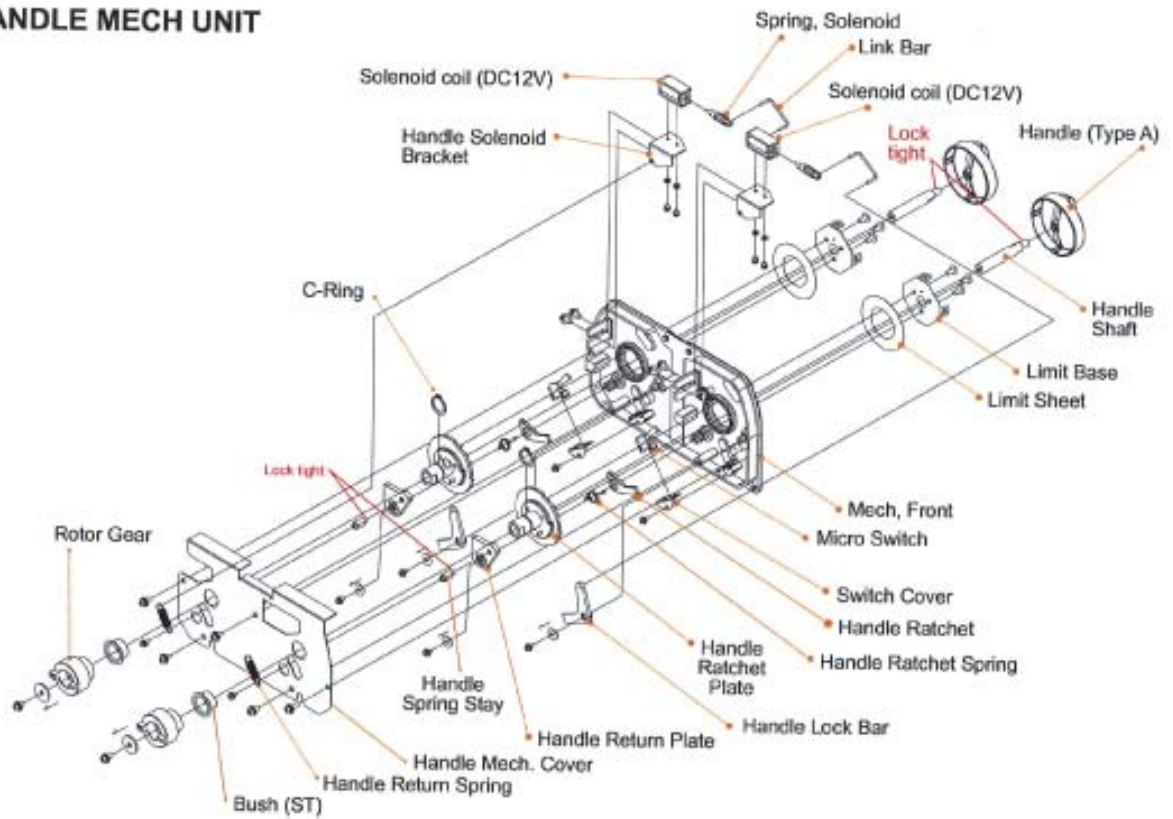
HANDLE UNIT



HOLDER UNIT



HANDLE MECH UNIT



2. SET UP OF MACHINE

BEFORE ADDING THE STICKER KIT TO PRIZE PARTY

Before you start, please note the layout of each head and Square select buttons for Prize Party.
Installation time will vary depending on where you joint the Sticker kit. Please see note below.

RIGHT END >>> Less installation time. Head of STICKER KIT are "I, J, K and L."

You do not need to re-position the original 8 Square select buttons.

You do not need to change the Price sheet of each head & position of Square buttons on original Prize Party.

LEFT END >>> More installation time because A) Need to move Square Select button position and wiring. B) Sticker KIT is (Or Middle) "A,B,C and D." So, the 8 Price sheets of original 8 Capsule heads now should be "E,F,G,H,I,J,K and L."

INSTALLATION OF CONNECTOR KIT TO PRIZE PARTY

Open CONNECTOR KIT box.

Mount the Square buttons using Letter sheet. (Use I, J, K & L)

Plug 2 terminal wires into each of the 4 buttons.

Mount the I/O Board to the back bottom of cabinet.

Connect Connection Harness between 2 of the I/O Boards.



WIRING OF BUTTONS

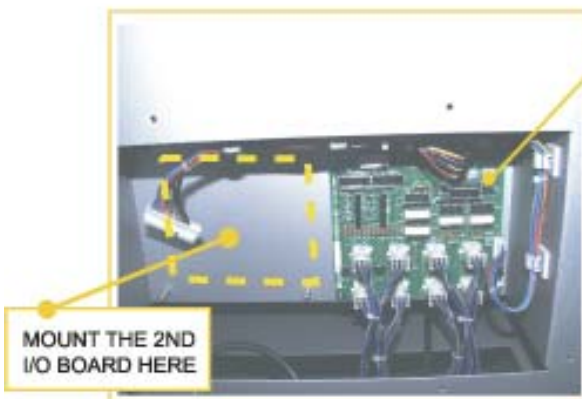
There is mark on each button terminal. (G1 to G16, Example, A = G1)

Button "I" = Connect 2 terminals with marking "G9"

Button "J" = Connect 2 terminals with marking "G10"

Button "K" = Connect 2 terminals with marking "G11"

Button "L" = Connect 2 terminals with marking "G12"



BACK BOTTOM VIEW OF CENTER UNIT

I/O board, Prize Party
Part#: 67-20-002



Connection Harness

SET UP OF STICKER KIT

Remove Sticker kit from the packing box and take off the keys from bottom of harness hole.

Open the top & bottom door of Sticker kit and then remove Price sheet set and Joint bracket set.



Remove the 2 Pin Screws to slide out bonus Lamp bracket Assy. Then slide out the Display plate (Black).

Bonus Lamp Bracket Assy



Place the Display card (You will need to purchase separately), EMPTY decal and Price Sheets on Display Plate (Black). Refer below layout.



Fig.1: Direction of Sticker

Replace the Display panel with Display cards to the back of front door glass then place the Bonus Lamp bracket Assy back, tighten Pin Screws.

Remove the weight plate then fill the Stickers (with card board shell) into stocker of Sticker kit. (Capacity = About 230 pcs) Put Weight Plate back on top of stickers in the stocker.

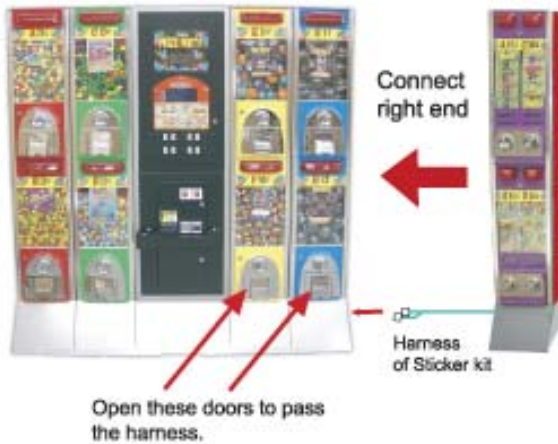
Please note that this is how to stock the stickers. (Refer Fig.1.)



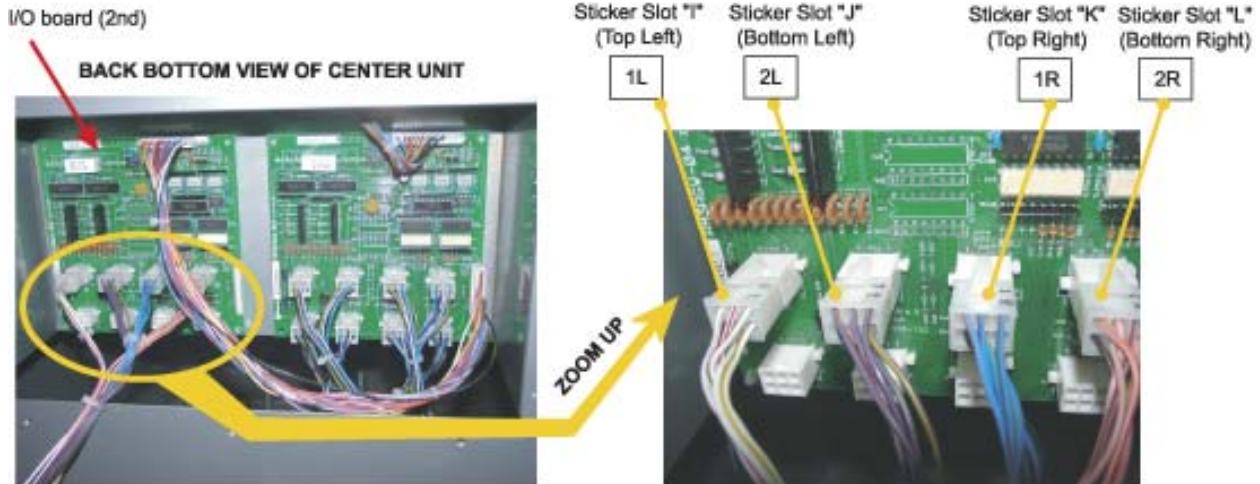
JOINT STICKER KIT TO PRIZE PARTY

Remove Harness Hole Cover from bottom right end of Prize Party.
Place Sticker kit on the right side of Prize Party.

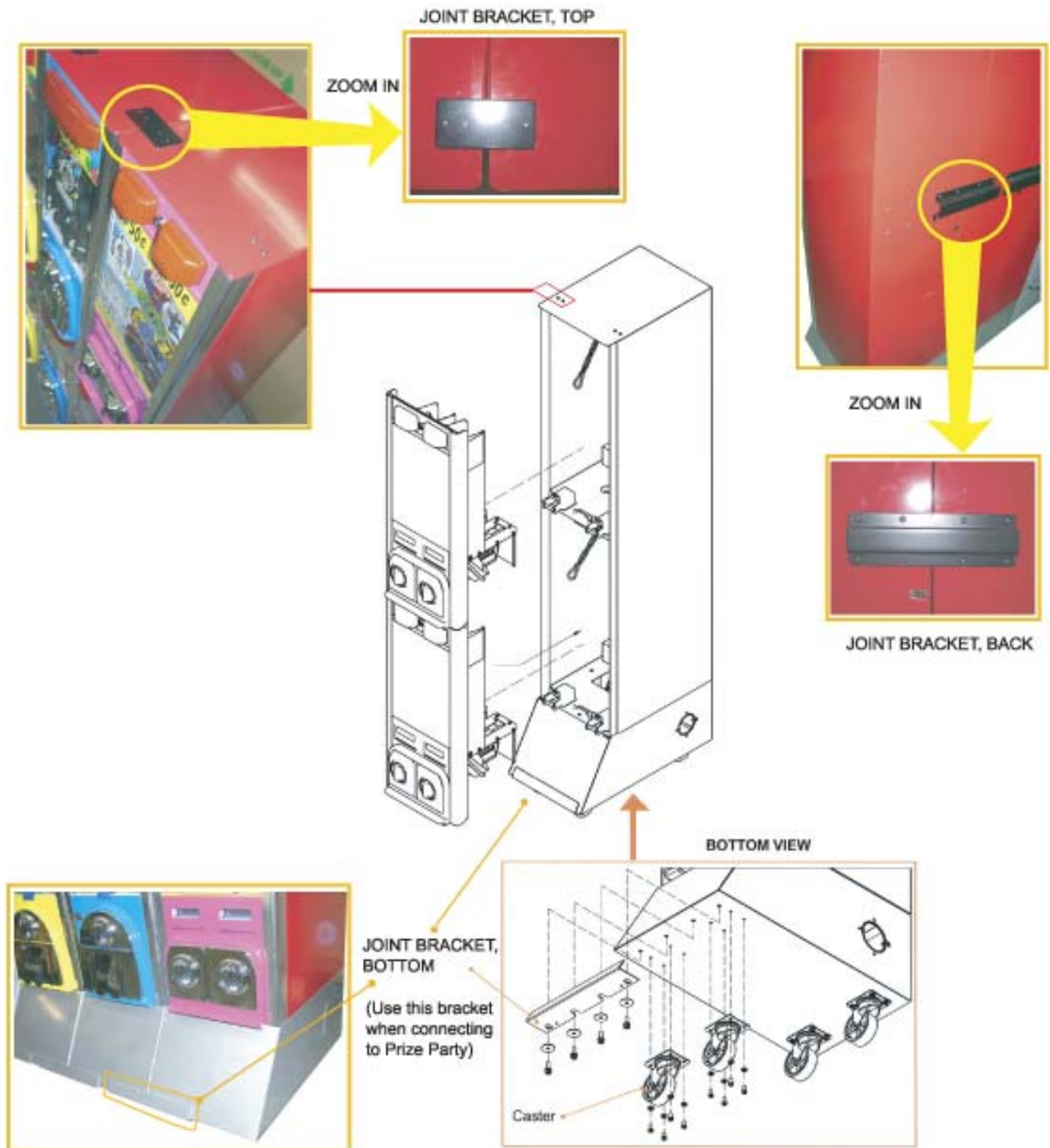
Pass the harness of Sticker kit thru the harness hole of Prize Party before joint.
Open front doors of bottom heads of Prize Party to pass the harness.
Move the Harness until it reaches the I/O board that is located in the back bottom of the Prize Party center unit.



Connect 4 of the connectors from the Sticker kit to new (2nd) I/O board.



Use Joint bracket set (2 kinds) and Bottom Joint bracket which is located on bottom front of STICKER KIT to joint the STICKER KIT and Prize Party cabinet. For mounting the TOP JOINT BRACKET, you need to open front door of STICKER KIT top and head G because you need to tighten screw from the inside.



WARRANTY

Limited warranty, Repair and Return Policy

Sammy USA Corporation warrants all products to be free from defective materials and workmanship for a period of thirty (30) days from the Sammy USA Corporation invoice date unless otherwise specified in writing by Sammy USA Corporation. The extent of this warranty applies to all electronic assemblies only, and does not include lamps and fuses.

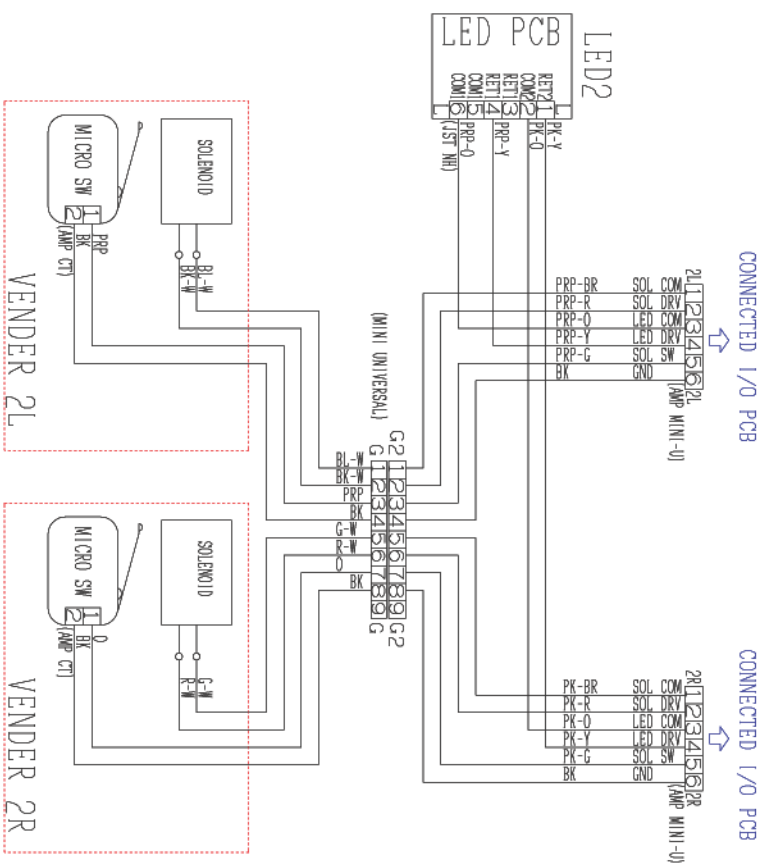
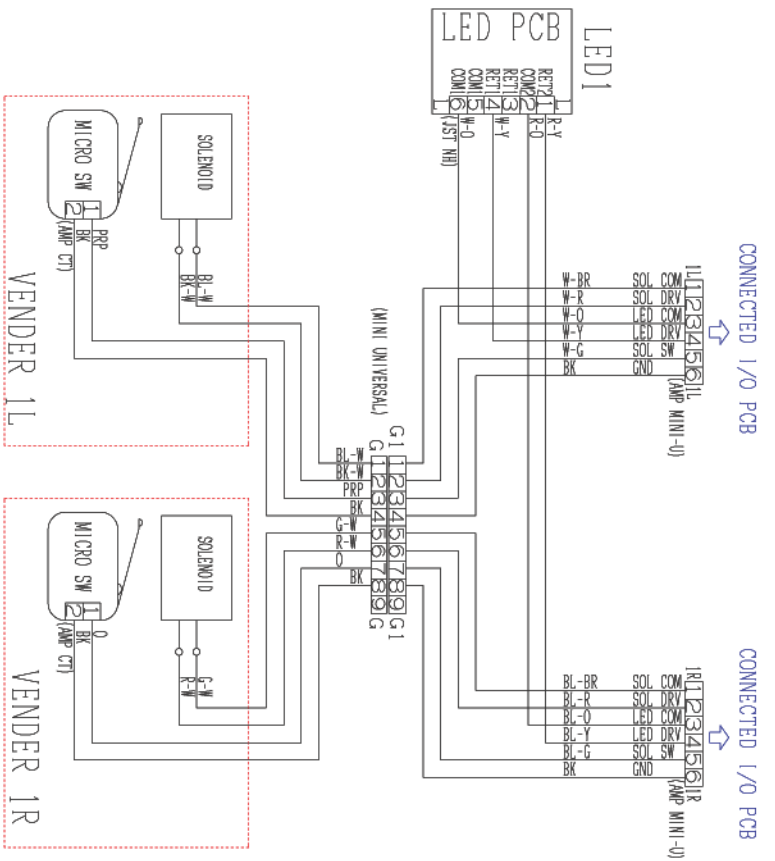
This limited warranty is invalid for any product that upon examination, is deemed to have been subject to misuse, improper repair or installation, neglect or violation of specification or other instructions published by Sammy USA Corporation.

There are no additional warranties described above.

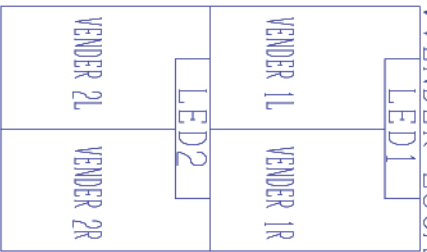
The limited warranties described above shall be in lieu of any other warranty, express or implied, including but not limited to any implied warranty of merchantability or fitness for a particular purpose.

Return Merchandise Authorization

1. Contact your authorized Sammy USA distributor to receive a Return Merchandise Authorization for return.
2. You must obtain RMA numbers from Sammy USA Corporation through an authorized Sammy USA distributor. Please have your serial number available when calling for RMA number.
3. All items must have an RMA number marked clearly on the outside of the package.
4. Products must be shipped prepaid. Products returned without an RMA number will not be accepted.
5. Credits to accounts are subject to inspection of products for damage and suitability for resale.



NOTE: VENDER LOCATION



CABINET WIRING DIAGRAM, STICKER KIT