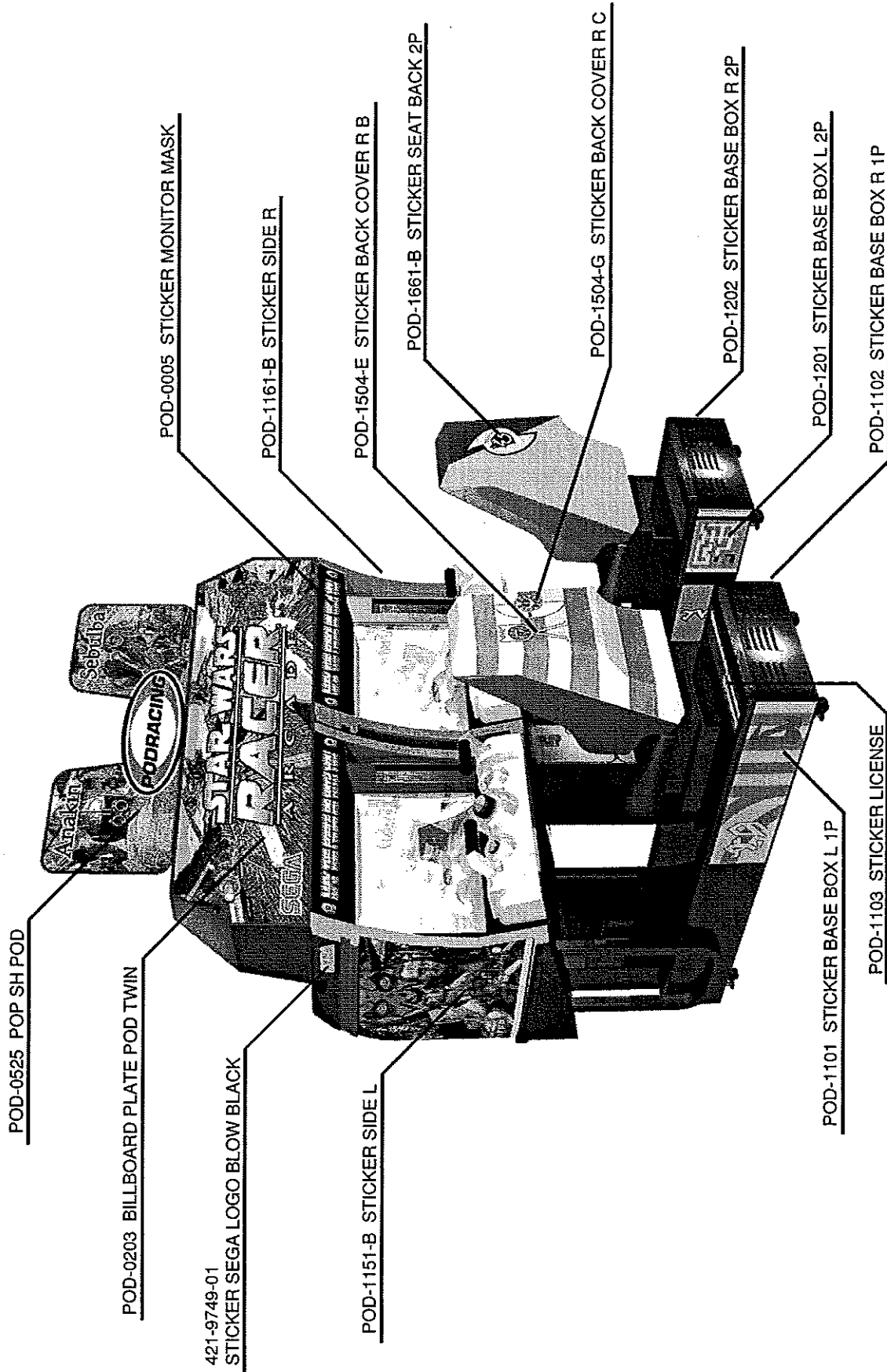


17. DESIGN RELATED PARTS

For the Warning Display stickers, refer to Section 1.



18. COMMUNICATION PLAY

18 - 1 INSTALLATION PRECAUTIONS



- Before starting to work, ensure that the Power SW is OFF. Failure to observe this can cause electric shock or short circuit.
- Use care so as not to damage wirings. Damaged wiring can cause electric shock or short circuit.
- Do not touch undesignated places. Touching places not designated can cause electric shock or short circuit.
- This work should be performed by the Location's Maintenance Man or Serviceman. Performing work by non-technical personnel can cause electric shock hazard.
- When linking a number of machines, be sure to supply sufficient power for the corresponding number of machines. Be sure to secure per machine current as stated in this manual. Failure to observe this can cause a fire and an electric shock accident.
- Be sure to secure space between the machines as wide as possible. Failure to observe this can cause injuries when customer tumbles over.
- To perform work safely and avoid serious accident such as the cabinet's falling down, do not perform work in places where step-like grade differences, a ditch, or slope exist.



To perform work safely, be sure to secure the space corresponding to number of machines to be linked. Failure to observe this can cause accident.



The optic fiber cable is used for the communication linkage. Excessive bending may damage the communication cable. Be very careful in this regard.

For this game, up to 2 machines can be connected to allow up to 4 players to play simultaneously.

Since 2 or more machines are to be linked, sufficient power corresponding to the number of machines used need to be supplied. Note that as a standard, the per machine capacity should be 15A for the 100 ~ 120V area, and 7A for the 220 ~ 240V area.

DISTANCE BETWEEN MACHINES

Be sure to secure space between the adjacent machines as wide as possible. Failure to observe this can cause a secondary injury accident when customer tumbles over.

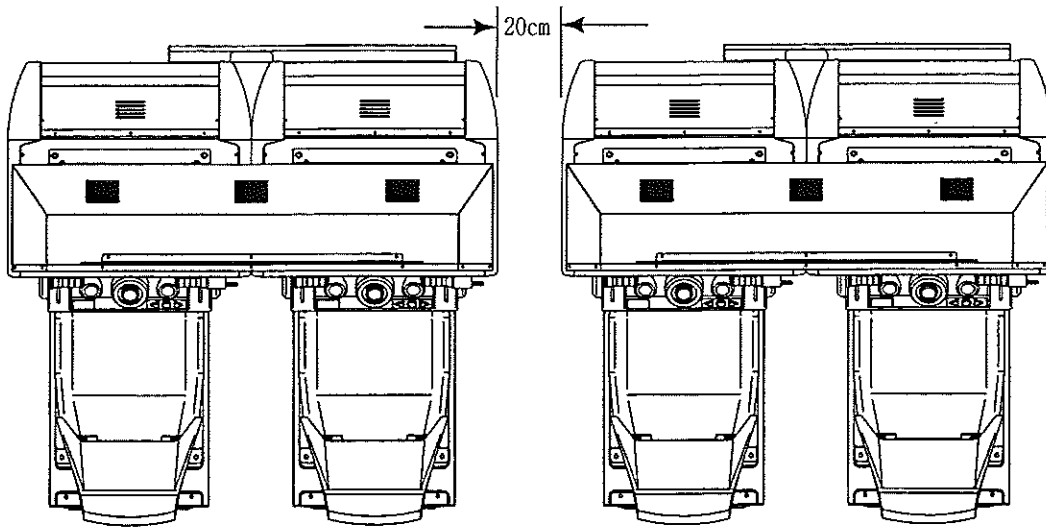


FIG. 18.1

18 - 2 CONNECTING THE COMMUNICATION CABLES

The PROTECT TUBE is used to link plural machine units and the communication cables are caused to pass through the PROTECT TUBE. Depending on the number of machine units to be linked, connect the communication cables (optic fiber cables) in the manner shown in Figures 18. 2 f and 18. 2 g.

- ① Take off the 4 screws and remove AC COVER B (Fig. 18. 2 a).
- ② The HOLE LID is attached to the AC COVER HOLE into which the PROTECT TUBE is to be installed. By taking off 2 screws, remove the HOLE LID of the side where the PROTECT TUBE is to be installed.

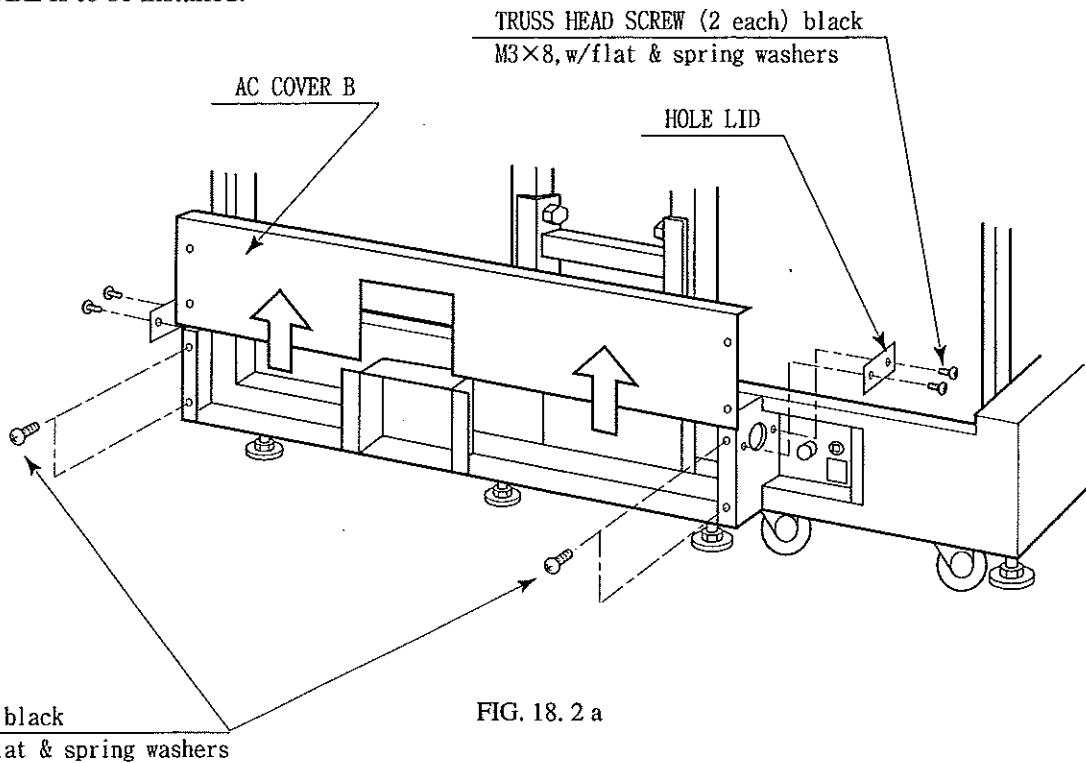


FIG. 18.2 a

- ③ Attach CONNECTOR 22 to the both ends of FLEX TUBE, and assemble the PROTECT TUBE. First, disassemble CONNECTOR 22 (Fig. 18. 2 b).
- ④ First pass the plastic nut through the flex tube. Otherwise, the following work can not be performed and therefore, be very careful of this point.
- ⑤ Install the holder and then the "insert" to the end of the flex tube by turning them as in bolts and nuts (Fig. 18. 2 c).
- ⑥ Tighten the plastic nut to the connector. At this time, pass the optic fiber cable through the flex tube ahead of time so as to allow the following work to be performed easily (Fig. 18. 2 d).
- ⑦ Install the PROTECT TUBE into the AC COVER HOLE. Insert the connector into the AC COVER HOLE, put the seal washer through and fasten the metal nut (Fig. 18. 2 e).

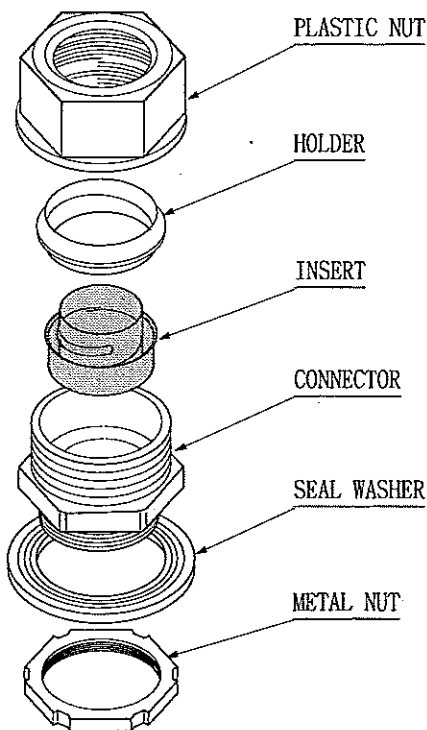


FIG. 18. 2 b

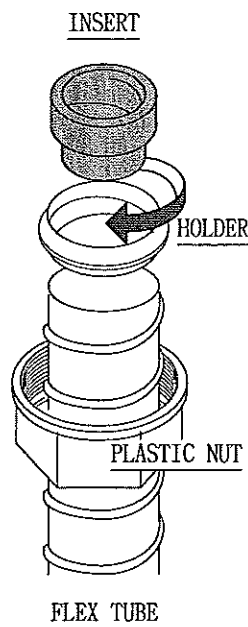


FIG. 18. 2 c

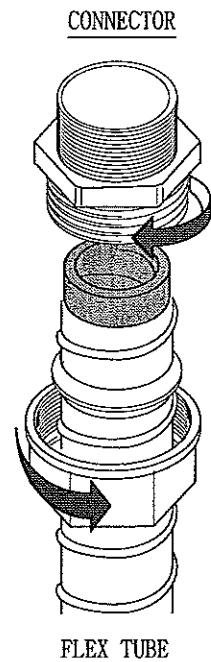


FIG. 18. 2 d

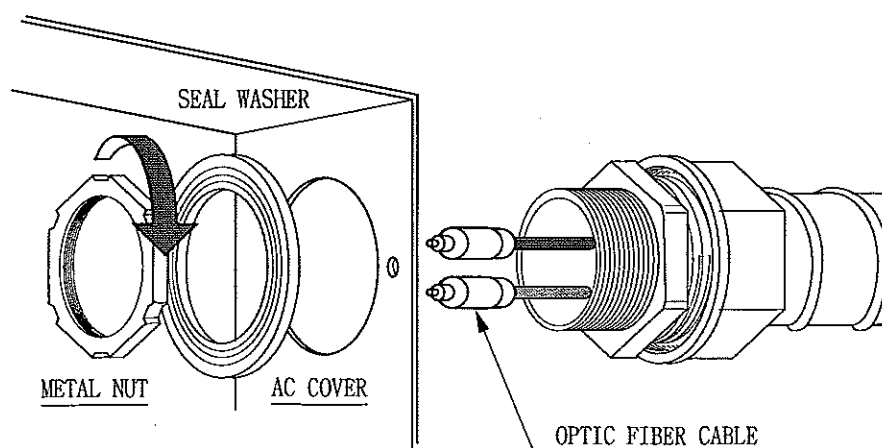


FIG. 18. 2 e

- ⑧ Connect the communication cable. Redo the connection which is currently made for TWIN (for 2P LINK).
Depending on the number of units to be connected, communication connections are different.
Make connection correctly as shown below.



The communication cable is optic-fiber made and will break if excessively bent. Handle with care.

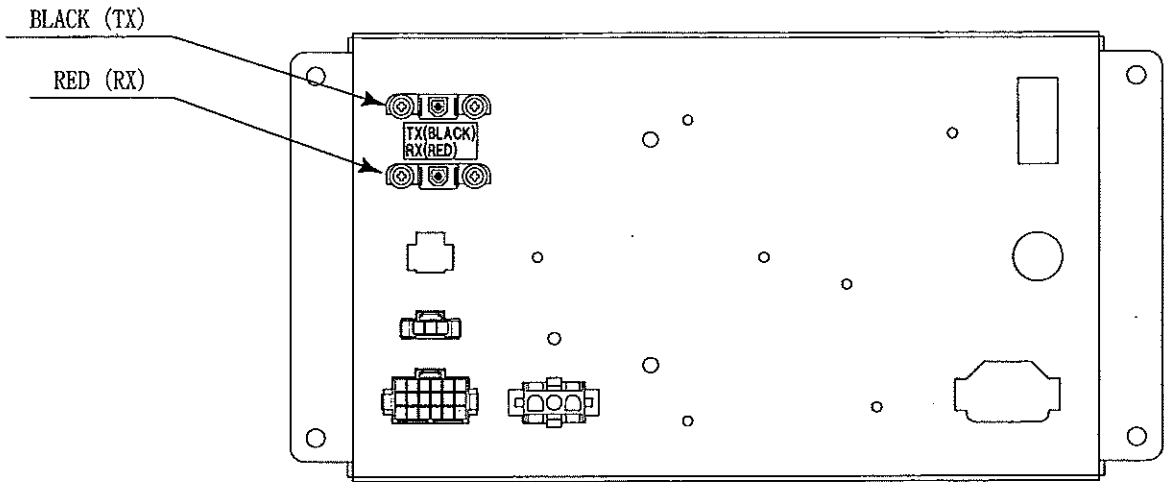


FIG. 18.2 f AC UNIT

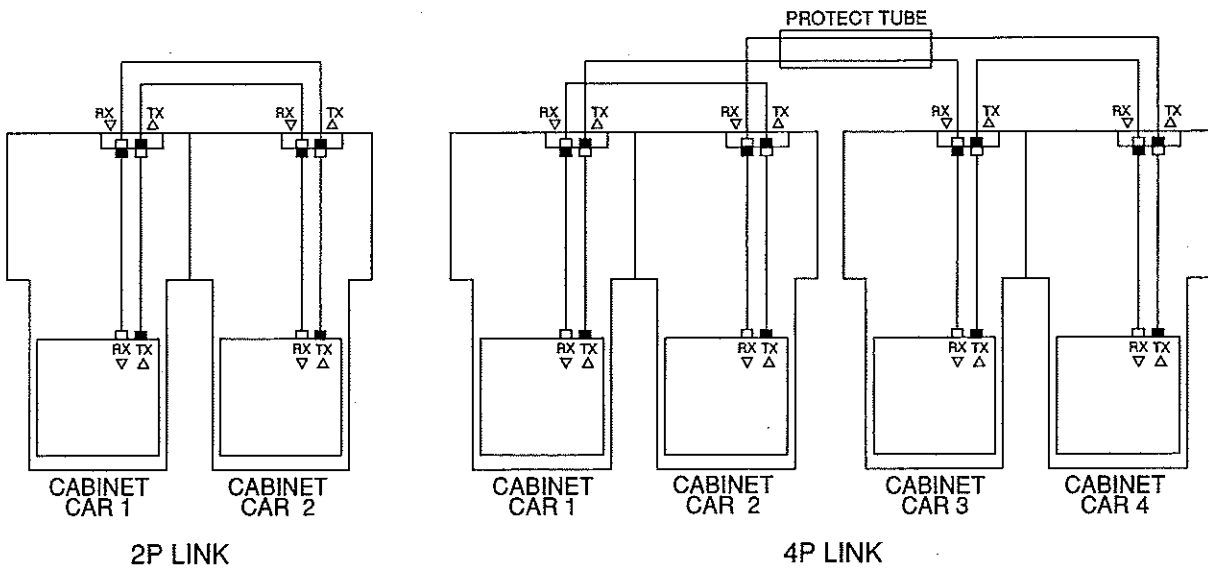


FIG. 18.2 g



During communication play, if the test mode is not finished within 3 minutes on all the linked machines, the NETWORK CHECK cannot be performed, causing NETWORK ERROR.

Change the game setting for each seat in a manner so as to meet communication play. If the setting is not correct, communication play cannot be played.

- ① Turn the linked machines' power on.
- ② Cause all of the machines to enter the test mode.
- ③ Select the SYSTEM ASSIGNMENTS.
- ④ Perform the COMMUNICATION MODE setting in the SYSTEM ASSIGNMENTS screen. Set one of the machines to MASTER and all others to SLAVE. Set to RELAY for exclusive use as LIVE Monitor.
- ⑤ Perform the SEAT NO setting in the GAME ASSIGNMENTS screen. Set the machines sequentially to No.1, No.2, No.3, and No.4 as applicable starting from the extreme left facing the monitor's front side.
- ⑥ Cause all of the machines to exit from the test mode. After the test mode, the screens proceed to and display the NETWORK CHECK.
- ⑦ If the ADVERTISE screen is displayed after the NETWORK CHECK has been finished, the communication setting is satisfactory. If the same number is set for 2 or more seats, the screen displays an error and keeps displaying the NETWORK CHECK. In this instance Advertise is not displayed. Normally the NETWORK CHECK takes less than a minute. If the screen does not proceed from the NETWORK CHECK screen, some sorts of errors such as having not finished the test mode within 3 minutes, incorrect setting, or incorrect connection or malfunctioning of the communication cable can be considered.

SYSTEM ASSIGNMENTS

CABINET TYPE	1PLAYER
ADVERTISE SOUND	ON
MONITOR TYPE	HORIZONTAL
DISPLAY TYPE	AUTOSCAN
SERVICE TYPE	COMMON
COMMUNICATION MODE	MASTER
> EXIT	

SELECT WITH SERVICE BUTTON
AND
PRESS TEST BUTTON

MASTER

GAME ASSIGNMENTS	
DEFAULT VIEW	POD
DIFFICULTY	NORMAL
URL	ON
SEAT NUMBER	1
> EXIT	

SELECT WITH SERVICE BUTTON
AND
PRESS TEST BUTTON

SLAVE

GAME ASSIGNMENTS	
SEAT NUMBER	4
> EXIT	

SELECT WITH SERVICE BUTTON
AND
PRESS TEST BUTTON

18 — 4 CAUTIONS TO BE HEEDED DURING COMMUNICATION PLAY

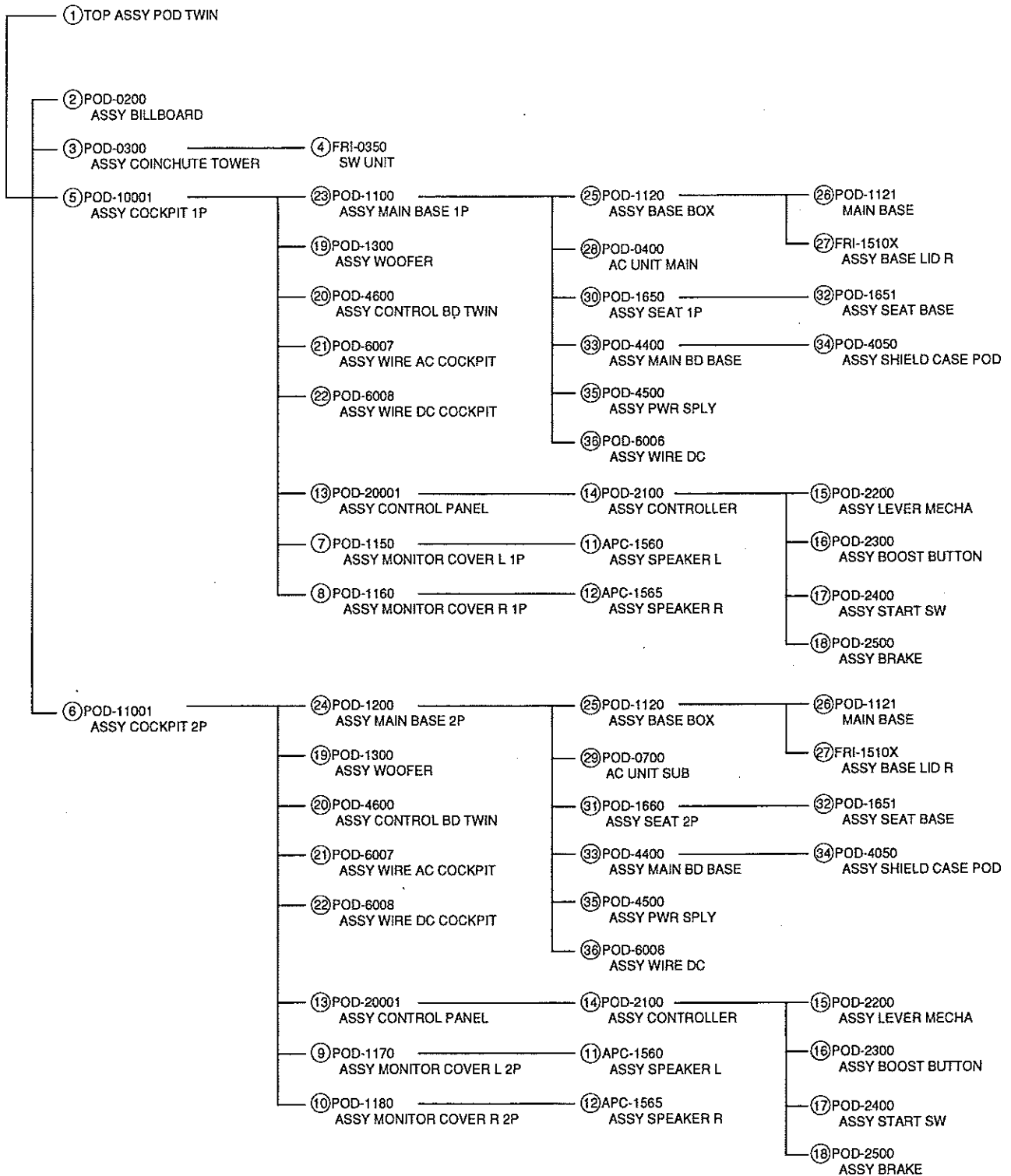


- For communication play, perform the setting for the advertise sound and setting in the GAME ASSIGNMENTS on the MASTER seat. All other machine's settings will compulsorily be same as those of the MASTER unit.
- Selecting the hidden vehicles depends on the MASTER unit. All other units can also select the vehicles that can be selected by the MASTER unit. On the other hand, during communication play all other units cannot select the vehicle, even if selectable, which cannot be selected by the MASTER unit.
- If the same number is set for 2 or more machines, the screen keeps displaying the NETWORK CHECK after having displayed an error message.
- During communication play, if communication is interrupted due to some cause, the game is discontinued and the NETWORK CHECK screen is displayed.
- If one of the linked machines enters the test mode, all others display the NETWORK CHECK screen.

Machine's operation when linked for communication play alters comparing to that of when independently operated. Be careful of this point.

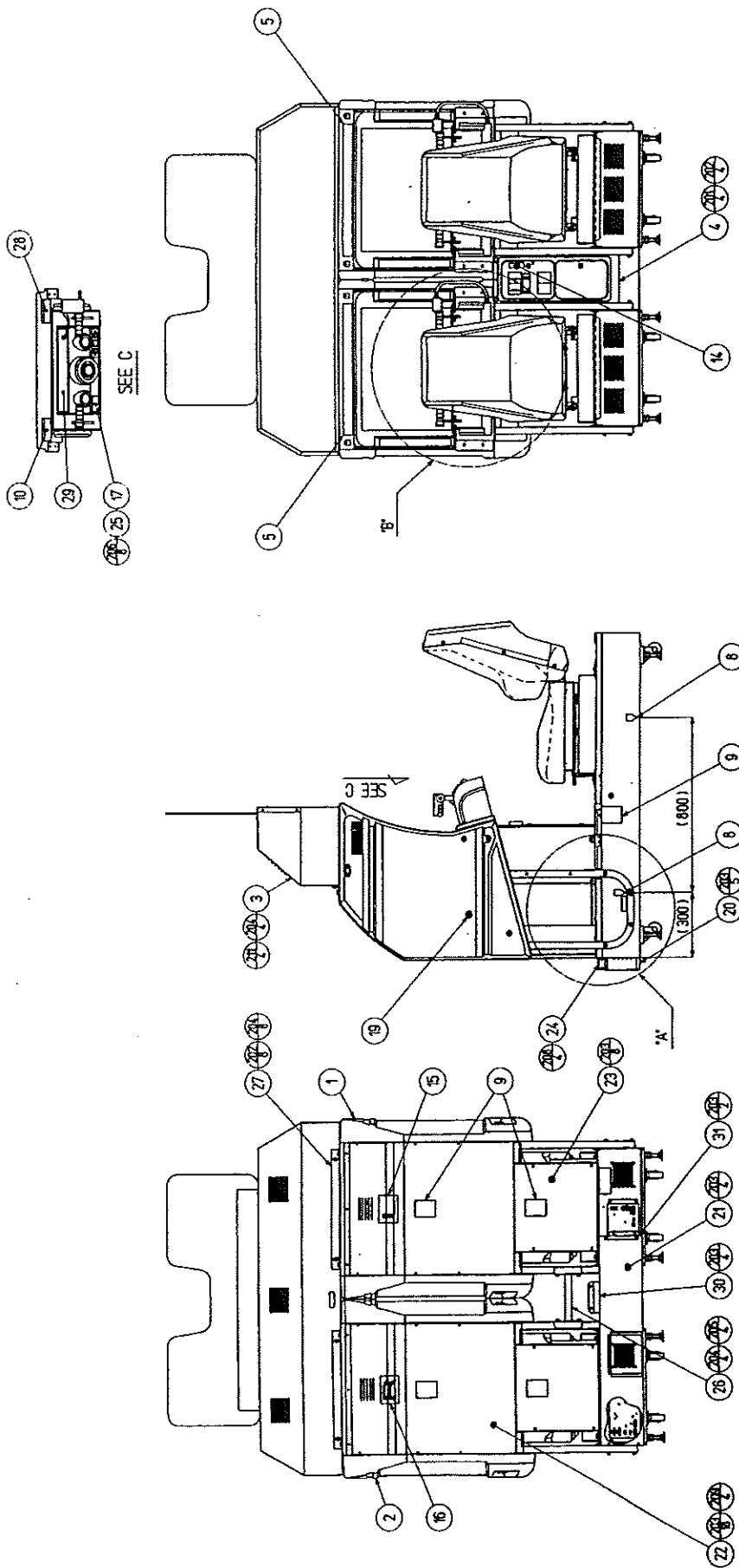
As per the above, some Game Assignments are set by the MASTER unit. Even if the SLAVE machines change the setting, the setting will not be effective for the game. When one of the linked machines enters the test mode, all others display the NETWORK CHECK screen. Therefore, be sure not to enter the test mode if any one of the machines is in play.

19. PARTS LIST

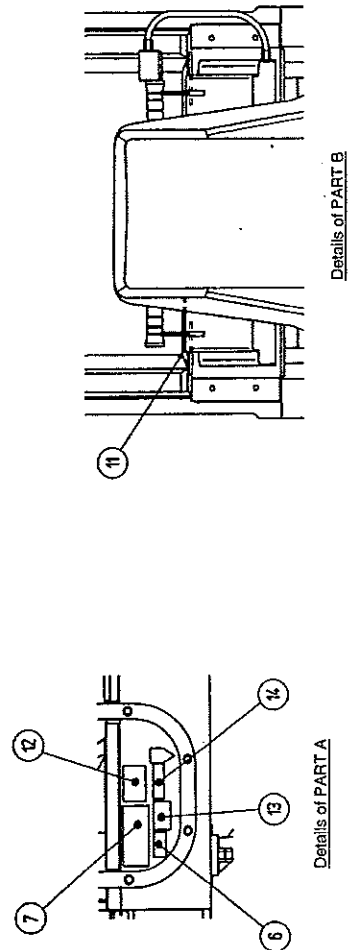


① TOP ASSY POD TWIN

(D-1/3)



TORQUE
 M8 19.5N·m
 M4(M SCR) Under 1.0N·m



① TOP ASSY POD TWIN

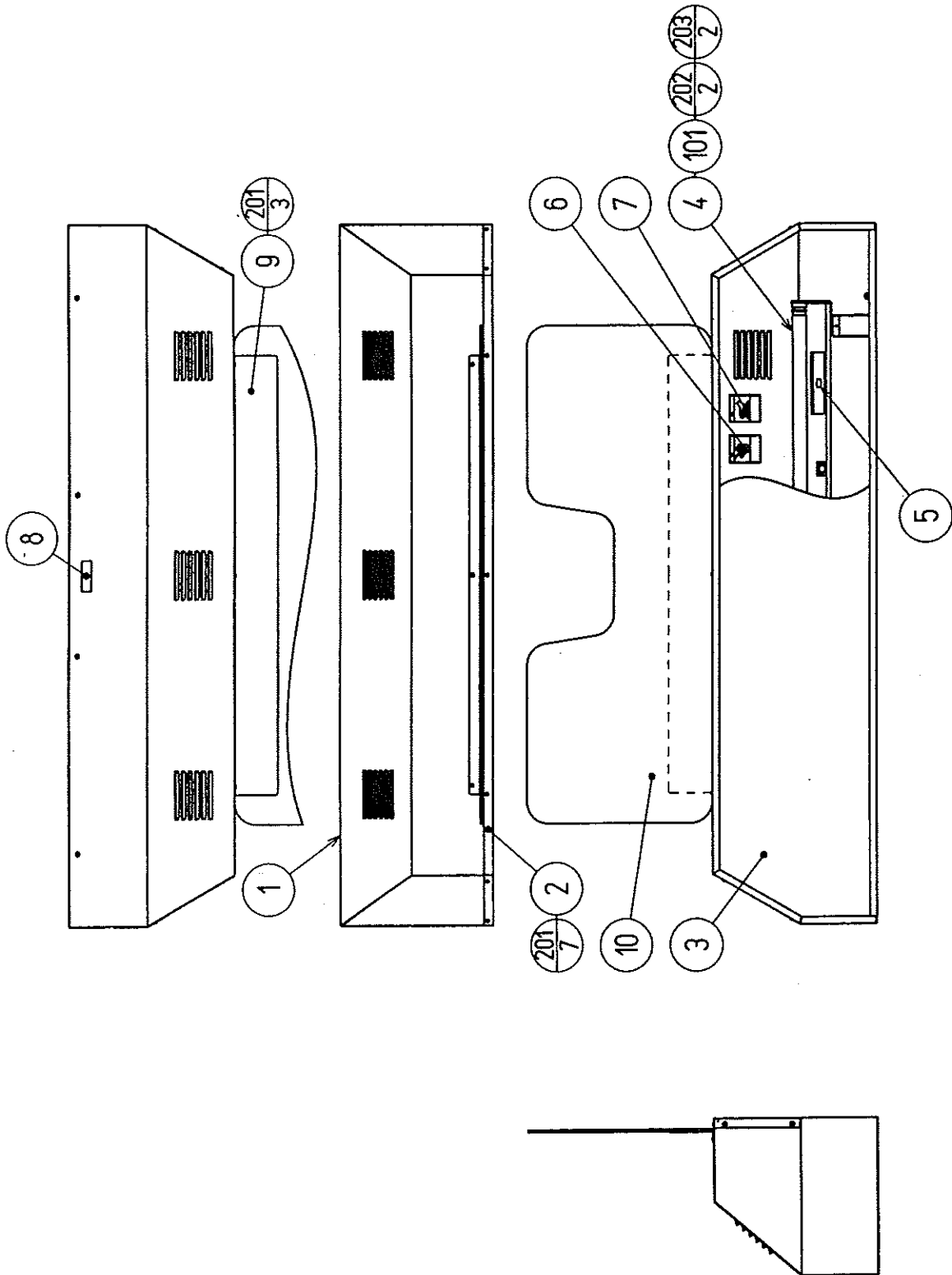
(D-2/3)

ITEM NO.	PART NO.	DESCRIPTION	NOTE
1	POD-10001	ASSY COCKPIT 1P	
2	POD-11001	ASSY COCKPIT 2P	
3	POD-0200	ASSY BILLBOARD	
4	POD-0300	ASSY COINCHUTE TOWER	
5	POD-0005	STICKER MONITOR MASK	
8	421-8885	STICKER CAUTION FORK	
9	440-WS0002XEG	STICKER W POWER OFF ENG	
10	440-CS0186-EG	STICKER C EPILEPSY 40 ENG	
15	421-8543	STICKER CABINET L	
16	421-8544	STICKER CABINET R	
17	421-7308- ~	DENOMINATION SHEET 1GAME ~	
18	SGM-3863	POLTHN COVER 950 × 1800 × 1700	
19	VOT-0007	BLIND CAP	
20	POD-0006X	AC COVER A	
21	DYN-0006Y	AC COVER B	
22	INY-0004X	BACK LID INY	
23	DYN-0008	BACK LID B	
24	ECA-0010	HOLE LID	
25	POD-0002	DENOMI PLATE	
26	DYN-0013	JOINT PIPE	
27	SPG-0008	BILLBOARD HOLDER	
28	440-WS0211-EG	STICKER W DO NOT TOUCH ENG	
29	POD-0003-01	STICKER INSTR POD ENG	
30	POD-0007	AC COVER LID	
31	POD-0008	AC COVER C	
101	600-6275-0500	ASSY FIBER CABLE 5 0500CM	
102	280-5009-01	CORD CLAMP 21	
103	601-0460	PLASTIC TIE BELT 100 MM	
201	030-000820-S	HEX BLT W/S M8 × 20	
202	068-852216-0B	FLT WSHR BLK 8.5-22 × 1.6	
203	000-P00408-WB	M SCR PH W/FS BLK M4 × 8	
204	030-000825-SB	HEX BLT W/S BLK M8 × 25	
205	060-F00800-0B	FLT WSHR BLK M8	
206	000-T00412-0B	M SCR TH BLK M4 × 12	
207	000-T00512-0B	M SCR TH BLK M5 × 12	
208	000-P00308-WB	M SCR PH W/FS BLK M3 × 8	
209	010-P00408-F	S-TITE SCR PH W/F M4 × 8	
210	008-T00412-0B	TMP PRF SCR TH BLK M4 × 12	
211	SLC-0006	FLAT WASHER 8.4-25 × 2	
212	050-H00400	HEX NUT M4	
213	060-F00400	FLT WSHR M4	
214	060-S00400	SPR WSHR M4	
301	POD-61051	WIRE HARN EXT AC UNIT 1P	
302	POD-61052	WIRE HARN EXT AC UNIT 2P	
303	POD-61053	WIRE HARN EXT VOL 1P	
304	POD-61054	WIRE HARN EXT VOL 2P	
305	POD-61055	WIRE HARN EXT AC LINE	

① TOP ASSY POD TWIN

(D-3/3)

ITEM NO.	PART NO.	DESCRIPTION	NOTE
401	601-6604-70	CARTON BOX 70	
402	420-6579-01	OWNERS MNL POD TWIN ENG	
403	SGM-2675	POLYETHYLENE BAG, 240 × 370	
404	220-5576	KEY MASTER FOR 220-5575	
405	SGM-4111	KEY BAG (SGB-1035X)	
407	540-0009-01	WRENCH FOR TAMP SCR M8	
408	220-5373	VOL CONT B-5K	
	220-5484	VOL CONT B-5K OHM	
409	310-5050-220090	FLEX TUBE 22-0090CM	
410	310-5051-22	CONN 22	
411	390-5160	LAMP WG B TYPE 6V 3W (C2R)	
412	DYN-0020	JOINT PLATE	
413	600-6664-02	WIRE HARN EARTH W/LUG M6 NOT USED	TAIWAN OTHERS
414	514-5036-7000	FUSE 6.4 × 30 7000MA 125V	
415	600-7228	AC CABLE CONNECT TYPE 15A	} TAIWAN OTHERS HONG KONG USA
	600-6729	AC CABLE CONNECT TYPE 15A	
	600-6618	AC CABLE CONNECT TYPE FOR EXP	
	600-6619	AC CABLE CONNECT TYPE FOR UK	
	600-6695	AC CABLE CONNECT TYPE USA 15A	
416	280-5009-01	CORD CLAMP 21	
417	090-0074	STATICIDE (300ML)	
/	421-6690-03	STICKER 220V	AC 220V AREA
/	421-6690-05	STICKER 240V	AC 240V AREA
/	421-6690-06	STICKER 110V	AC 110V AREA
/	421-6690-01	STICKER 120V	AC 120V AREA
/	421-6119-91	STICKER FCC	} USA
/	421-6120-92	STICKER SEGA USA	



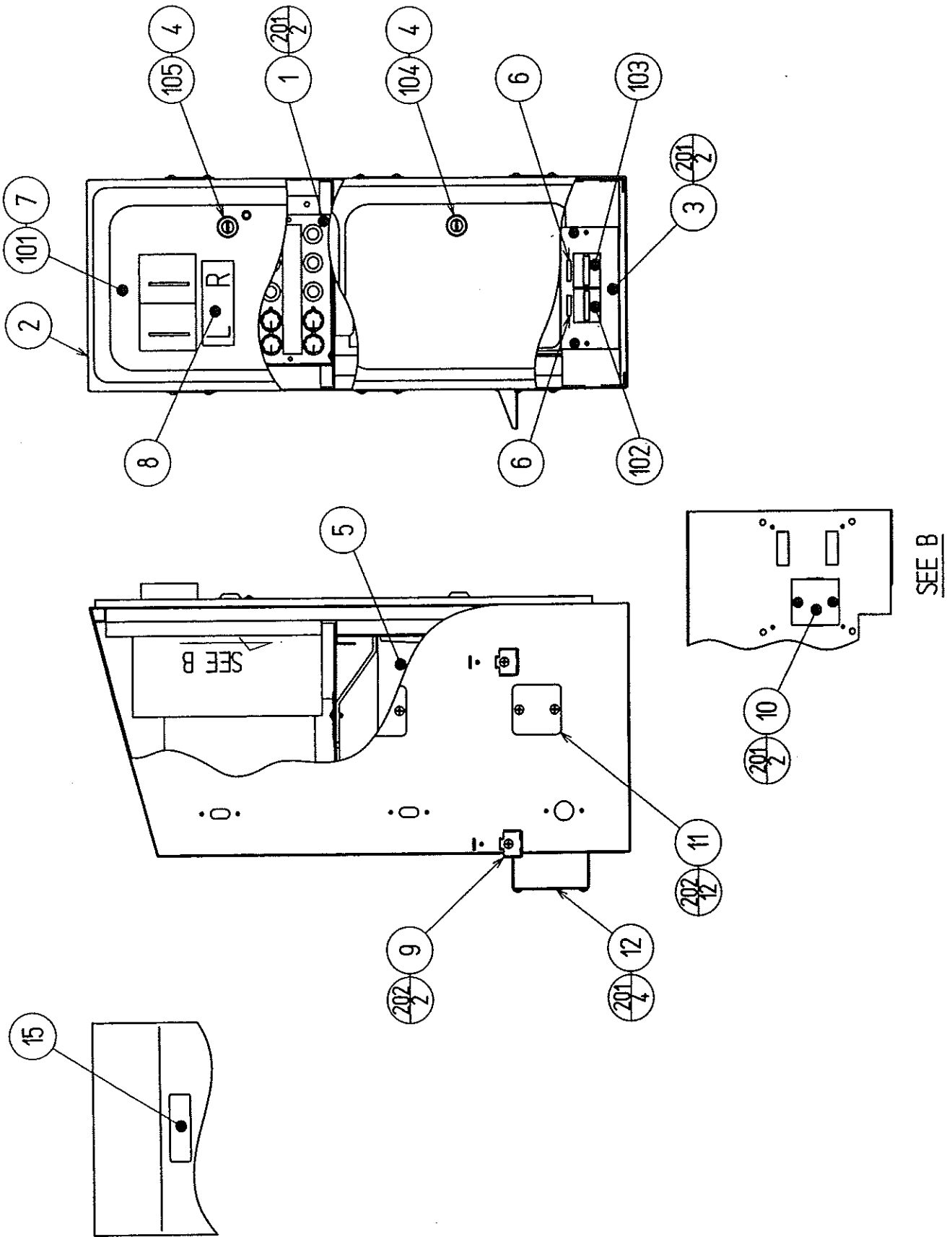
② ASSY BILLBOARD (POD-0200)

(D-2/2)

ITEM NO.	PART NO.	DESCRIPTION	NOTE
1	POD-0201	BILLBOARD BOX	
2	POD-0202	BILLBOARD SASH	
3	POD-0203	BILLBOARD PLATE POD TWIN	
4	253-5457	FL HOLDER	
5	421-7501-10	STICKER FL 40W	
6	440-WS0002XEG	STICKER W POWER OFF ENG	
7	440-WS0012XEG	STICKER W HIGH TEMP ENG	
9	POD-0524	POP HOLDER	
10	POD-0525	POP SH POD	
101	390-6659-40EX	ASSY FL40W EX W/CONN HIGH S CE	
102	280-5275-SR10	CORD CLAMP SR10	
201	000-T00408-0B	M SCR TH BLK M4 × 8	
202	000-P00430-S	M SCR PH W/S M4 × 30	
203	068-441616	FLT WSHR 4.4-16 × 1.6	
204	050-H00400	HEX NUT M4	
205	060-S00400	SPR WSHR M4	
206	060-F00400	FLT WSHR M4	
301	POD-61013	WIRE HARN BILLBOARD	

③ ASSY COINCHUTE TOWER (POD-0300)

(D-1/2)

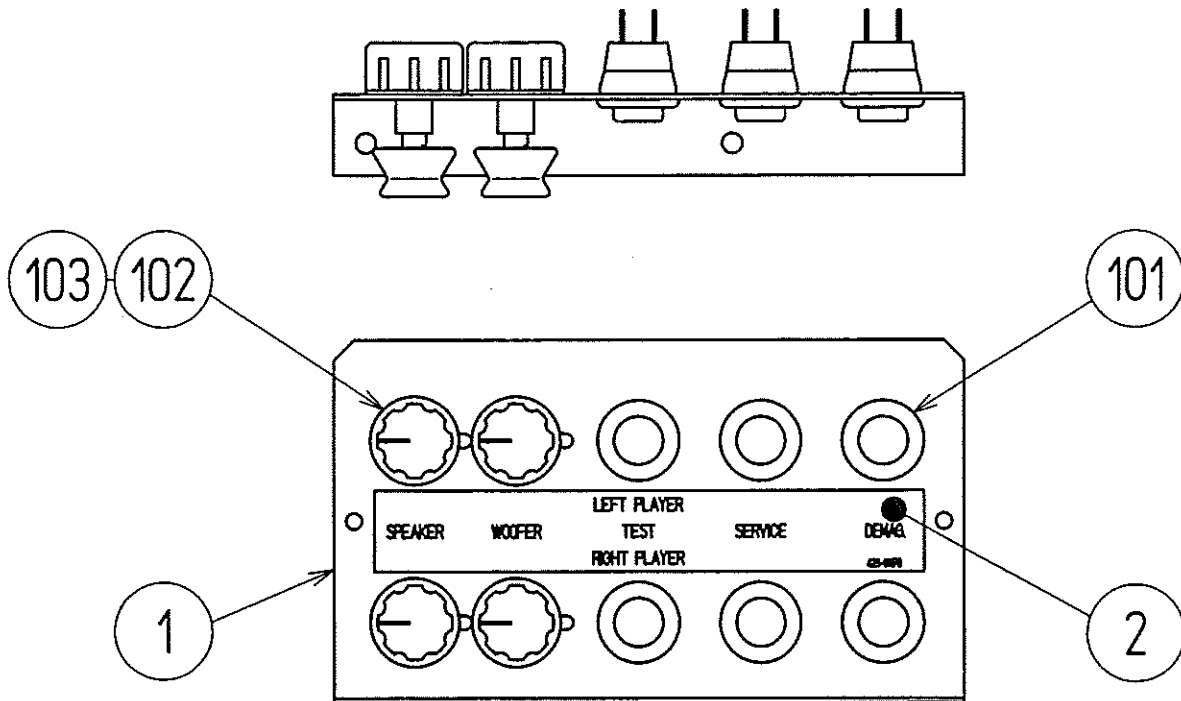


③ ASSY COINCHUTE TOWER (POD-0300)

(D-2/2)

ITEM NO.	PART NO.	DESCRIPTION	NOTE
1	FRI-0350	SW UNIT	
2	APC-0301	COINCHUTE TOWER	
3	DRT-0301X	COIN METER BRKT	
4	DP-1167	TNG LKG	
5	253-5366	CASH BOX	
6	421-6591-01	STICKER COIN METER	
7	421-7501-02	STICKER 6.3V 0.15A	
8	DYN-0303X	STICKER COIN ENTRY	
9	DYN-0305	TOWER BRKT	
10	105-5202	HOLE COVER	
11	DYN-0304	HOLE COVER	
12	POD-0301	CONN PNL TOWER	
101	220-5237-92- ~ 220-5482-91- ~	ASSY C. C 2DR ~ ASSY C. C 2DR ~	OTHERS HONG KONG, KOREA, TAIWAN
102	220-5643-01	MAG CNTR DC5V 6P WH MZ-674-D04	
103	220-5643-02	MAG CNTR DC5V 6P YE MZ-674-D05	
104	220-5574	CAM LOCK W/KEYS	
105	220-5575	CAM LOCK MASTER W/O KEY	
106	280-5009-01	CORD CLAMP 2I	
107	280-5275-SR10	CORD CLAMP SR10	
108	601-0460	PLASTIC TIE BELT 100 MM	
109	310-5029-F20	SUMITUBE F F 20MM	
110	601-5962-045	BUSH 3.2T	
201	000-P00412-W	M SCR PH W/FS M4 × 12	
202	000-T00408-0B	M SCR TH BLK M4 × 8	
203	010-P00408-F	S-TITE SCR PH W/F M4 × 8	
301	600-6373-50	WIRE HARN COIN LEFT	
302	600-6373-51	WIRE HARN COIN RIGHT	
304	600-7076-073	WIRE HARN EARTH COIN CHUTE	
305	600-6972-0130	WIRE HARN EARTH ID5 0130MM	
312	FRI-61054	WIRE HARN EXT WOOFER VR L C	
313	FRI-61055	WIRE HARN EXT WOOFER VR R C	
314	FRI-61056	WIRE HARN EXT COIN L D	
315	FRI-61057	WIRE HARN EXT COIN R D	
316	FRI-61058	WIRE HARN EXT COIN L E	
317	FRI-61059	WIRE HARN EXT COIN R E	

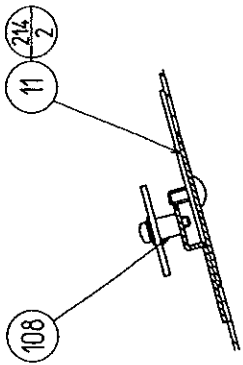
④ SW UNIT (FRI-0350)



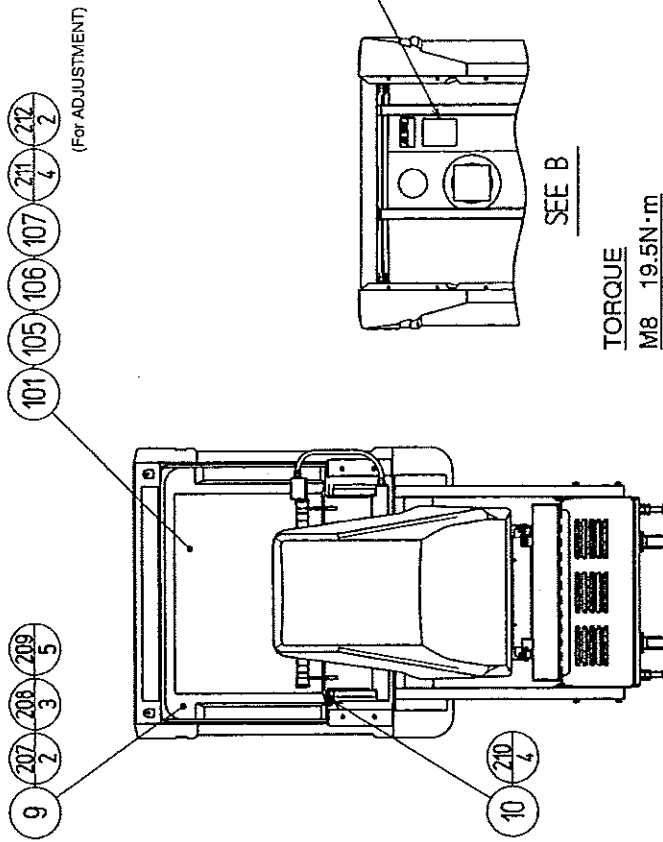
ITEM NO.	PART NO.	DESCRIPTION	NOTE
1	SPG-0351	SW BRKT	
2	421-11170	STICKER SW UNIT FRI	
101	509-5028	SW PB 1M	
102	220-5179	VOL CONT B-5K OHM	
103	601-0042	KNOB 22 MM	
104	601-0460	PLASTIC TIE BELT 100 MM	
105	310-5029-F20	SUMITUBE F F 20MM	
301	600-6373-53	WIRE HARN TEST & SERVICE LEFT	
302	600-7076-055	WIRE HARN VOL LEFT YE	
303	600-6373-67	WIRE HARN TEST & SERVICE RIGHT	
304	600-7076-065	WIRE HARN VOL RIGHT BL	
305	600-6873-064	WIRE HARN S.VOLUME 1P	
306	600-6873-065	WIRE HARN S.VOLUME 2P	

5 ASSY COCKPIT 1P (POD-10001)

(D-1/2)



Details of PART A

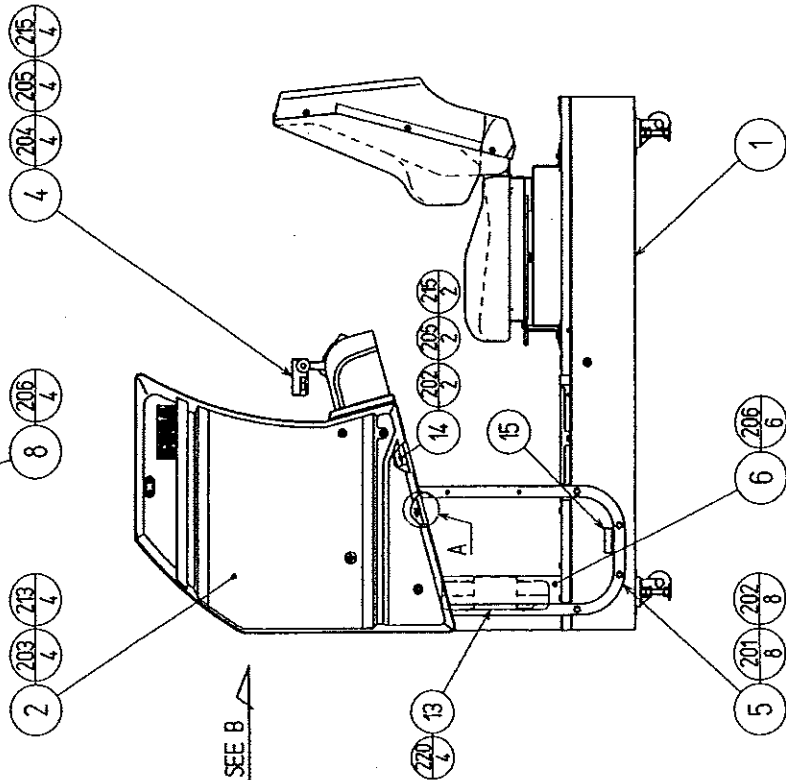
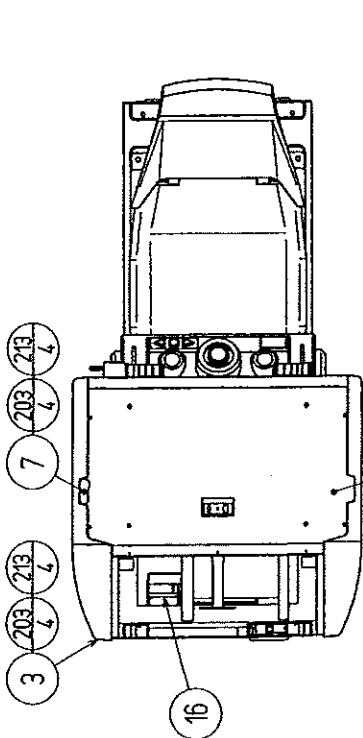


SEE B

TORQUE

M8 19.5N·m

M4(M SCR) Under 1.0N·m



SEE B

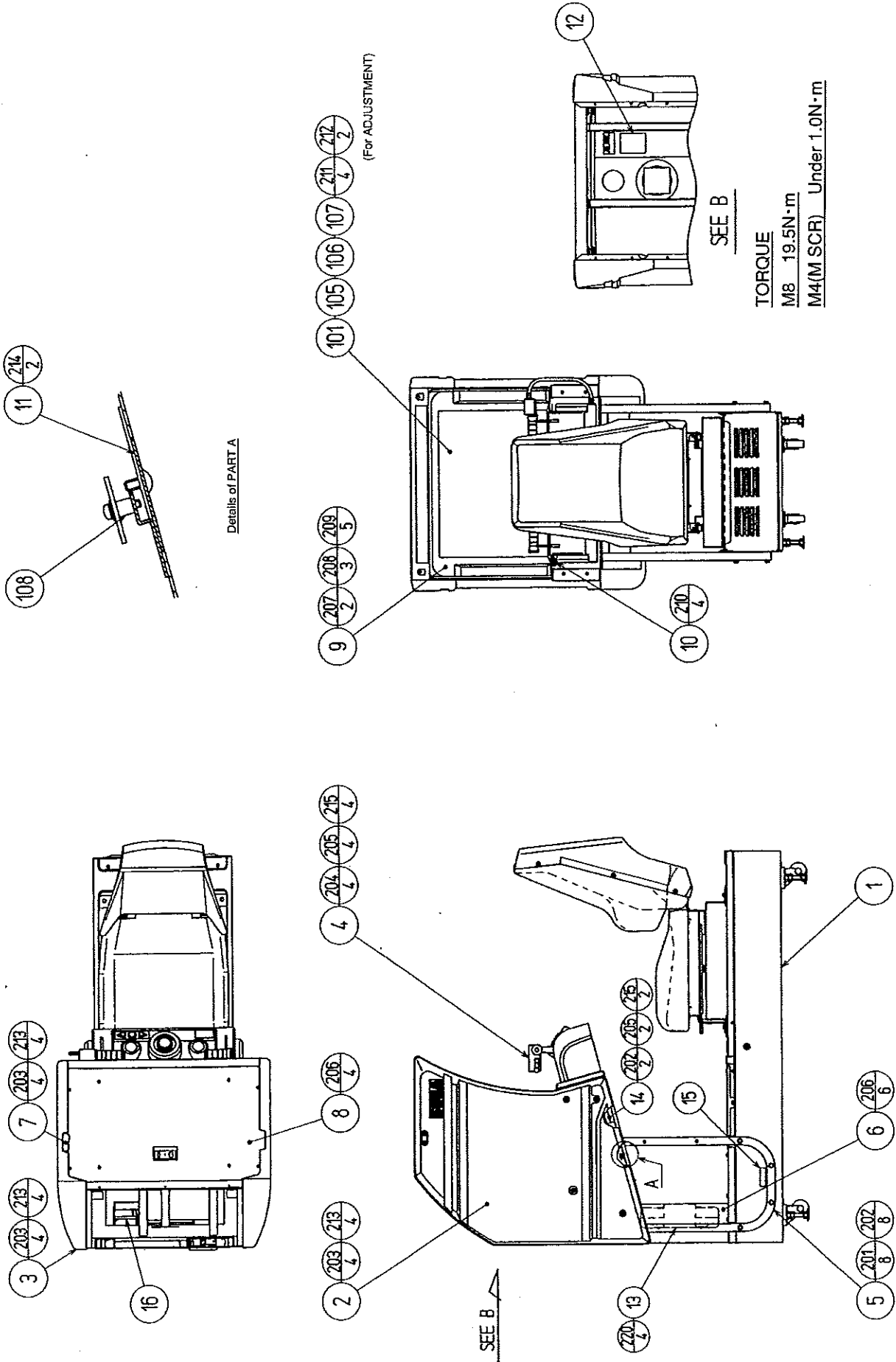
⑤ ASSY COCKPIT 1P (POD-10001)

(D-2/2)

ITEM NO.	PART NO.	DESCRIPTION	NOTE
1	POD-1100	ASSY MAIN BASE 1P	
2	POD-1150	ASSY MONITOR COVER L 1P	
3	POD-1160	ASSY MONITOR COVER R 1P	
4	POD-20001	ASSY CONTROL PANEL	
5	POD-1023	MONITOR STAND	
6	POD-1024	WIRE COVER BOX	
7	POD-1021	MONITOR SUPPORT	
8	SPG-1008X	ROOF LID	
9	POD-1022	MONITOR MASK	
10	SPG-1005	MASK HOLDER	
11	INY-1015	CRT ADJUST PANEL	
12	440-DS0013XEG	STICKER D MONITOR ENG	
13	POD-1300	ASSY WOOFER	
14	POD-4600	ASSY CONTROL BD TWIN	
16	POD-1025	CUSHION SPONGE	
101	200-5927	ASSY CLR DSPL 29TYPE 31K 2934	
102	280-5009-01	CORD CLAMP 21	
103	280-5275-SR10	CORD CLAMP SR10	
105	280-5112	BUSH FOR TV	
106	280-5113	COLLAR FOR TV	
107	280-5114	SPACER 6.4-25 × 2	
108	280-5185-6	SPACER TUBE L=6	
109	601-6231-C100	EDGING NEW TYPE	
201	030-000850-SB	HEX BLT W/S BLK M8 × 50	
202	068-852216-0B	FLT WSHR BLK 8.5-22 × 1.6	
203	030-000840-SB	HEX BLT W/S BLK M8 × 40	
204	060-F00800-0B	FLT WSHR BLK M8	
205	008-B00830-0B	TMP PRF SCR BH BLK M8 × 30	
206	000-P00408-WB	M SCR PH W/FS BLK M4 × 8	
207	000-T00530-0B	M SCR TH BLK M5 × 30	
208	000-T00512-0B	M SCR TH BLK M5 × 12	
209	068-552016-0B	FLT WSHR BLK 5.5-20 × 1.6	
210	000-F00508	M SCR FH M5 × 8	
211	050-F00600	FLG NUT M6	
212	000-P00312-WB	M SCR PH W/FS BLK M3 × 12	
213	DYN-1019	FLT WASHER M8	
214	000-T00408-0B	M SCR TH BLK M4 × 8	
215	060-S00800-0B	SPR WSHR BLK M8	
217	050-H00400	HEX NUT M4	
218	060-S00400	SPR WSHR M4	
219	060-F00400	FLT WSHR M4	
220	050-F00500	FLG NUT M5	
301	POD-6007	ASSY WIRE AC COCKPIT	
302	POD-6008	ASSY WIRE DC COCKPIT	

⑥ ASSY COCKPIT 2P (POD-11001)

(D-1/2)

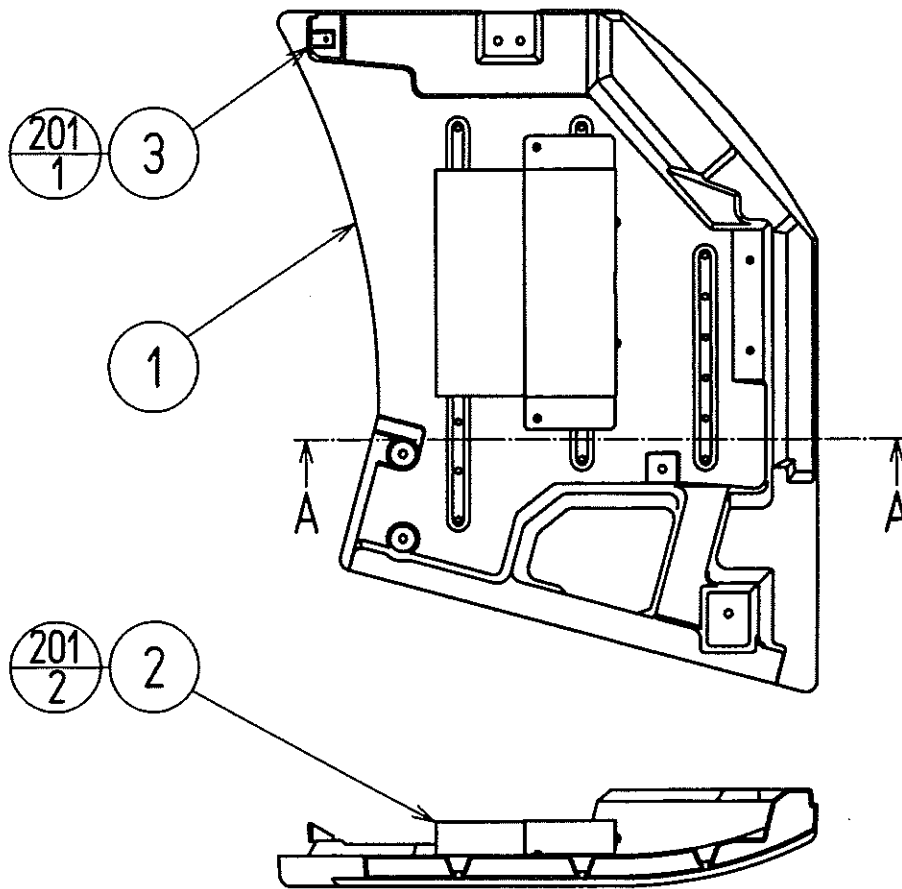


⑥ ASSY COCKPIT 2P (POD-11001)

(D-2/2)

ITEM NO.	PART NO.	DESCRIPTION	NOTE
1	POD-1200	ASSY MAIN BASE 2P	
2	POD-1170	ASSY MONITOR COVER L 2P	
3	POD-1180	ASSY MONITOR COVER R 2P	
4	POD-20001	ASSY CONTROL PANEL	
5	POD-1023	MONITOR STAND	
6	POD-1024	WIRE COVER BOX	
7	POD-1021	MONITOR SUPPORT	
8	SPG-1008X	ROOF LID	
9	POD-1022	MONITOR MASK	
10	SPG-1005	MASK HOLDER	
11	INY-1015	CRT ADJUST PANEL	
12	440-DS0013XEG	STICKER D MONITOR ENG	
13	POD-1300	ASSY WOOFER	
14	POD-4600	ASSY CONTROL BD TWIN	
16	POD-1025	CUSHION SPONGE	
101	200-5927	ASSY CLR DSPL 29TYPE 31K 2934	
102	280-5009-01	CORD CLAMP 21	
103	280-5275-SR10	CORD CLAMP SR10	
105	280-5112	BUSH FOR TV	
106	280-5113	COLLAR FOR TV	
107	280-5114	SPACER 6.4-25 × 2	
108	280-5185-6	SPACER TUBE L=6	
109	601-6231-C100	EDGING NEW TYPE	
201	030-000850-SB	HEX BLT W/S BLK M8 × 50	
202	068-852216-0B	FLT WSHR BLK 8.5-22 × 1.6	
203	030-000840-SB	HEX BLT W/S BLK M8 × 40	
204	060-F00800-0B	FLT WSHR BLK M8	
205	008-B00830-0B	TMP PRF SCR BH BLK M8 × 30	
206	000-P00408-WB	M SCR PH W/FS BLK M4 × 8	
207	000-T00530-0B	M SCR TH BLK M5 × 30	
208	000-T00512-0B	M SCR TH BLK M5 × 12	
209	068-552016-0B	FLT WSHR BLK 5.5-20 × 1.6	
210	000-F00508	M SCR FH M5 × 8	
211	050-F00600	FLG NUT M6	
212	000-P00312-WB	M SCR PH W/FS BLK M3 × 12	
213	DYN-1019	FLT WASHER M8	
214	000-T00408-0B	M SCR TH BLK M4 × 8	
215	060-S00800-0B	SPR WSHR BLK M8	
217	050-H00400	HEX NUT M4	
218	060-S00400	SPR WSHR M4	
219	060-F00400	FLT WSHR M4	
220	050-F00500	FLG NUT M5	
301	POD-6007	ASSY WIRE AC COCKPIT	
302	POD-6008	ASSY WIRE DC COCKPIT	

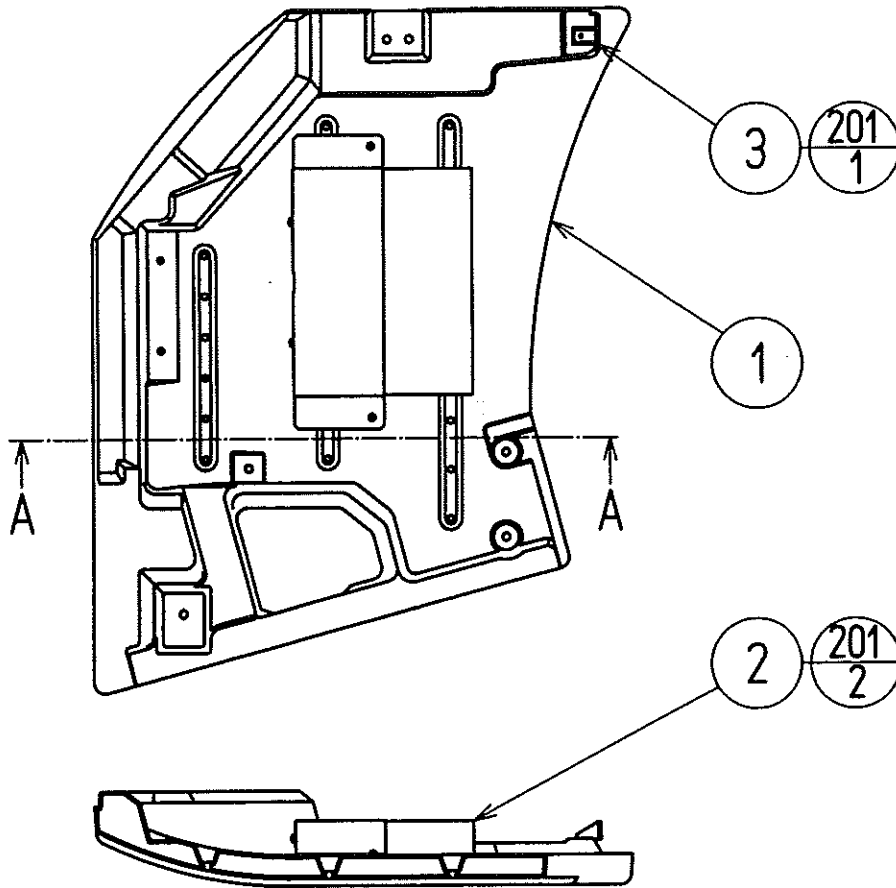
⑦ ASSY MONITOR COVER L 1P (POD-1150)



SECTION A-A

ITEM NO.	PART NO.	DESCRIPTION	NOTE
1	POD-1151	COVER PANEL L 1P	
2	APC-1560	ASSY SPEAKER L	
3	DYN-1032	MASK BRKT	
201	000-P00408-W	M SCR PH W/FS M4 × 8	

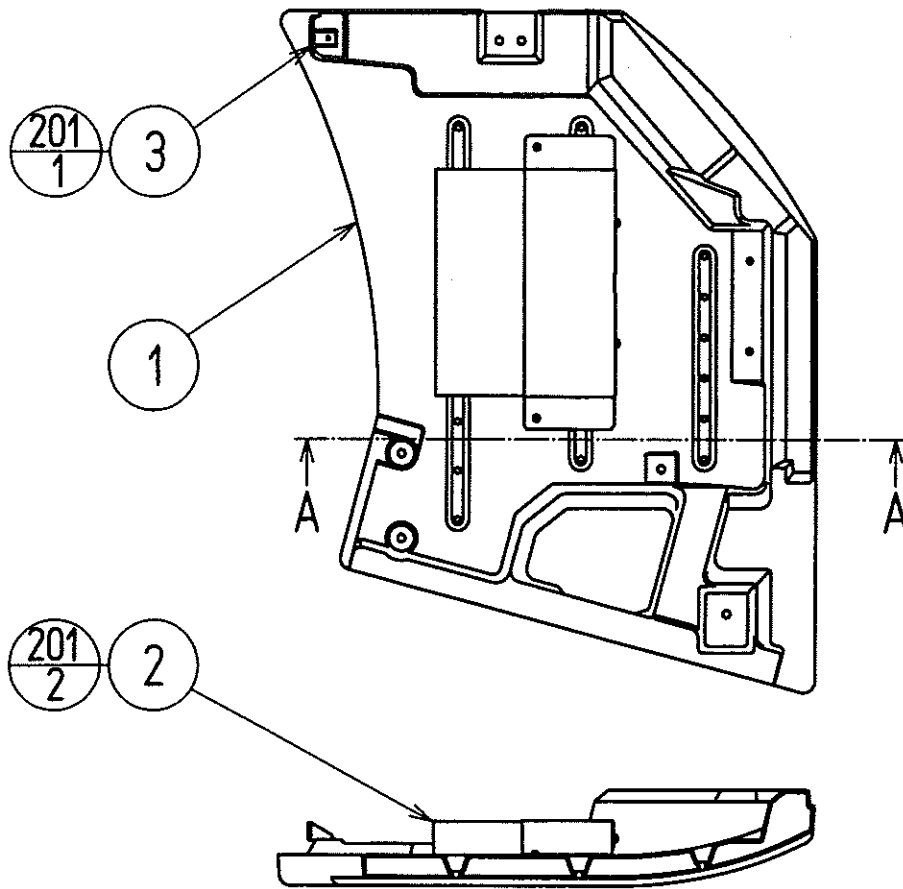
⑧ ASSY MONITOR COVER R 1P (POD-1160)



SECTION A-A

ITEM NO.	PART NO.	DESCRIPTION	NOTE
1	POD-1161-A	COVER PANEL R BLANK	
2	APC-1565	ASSY SPEAKER R	
3	DYN-1032	MASK BRKT	
201	000-P00408-W	M SCR PH W/FS M4 × 8	

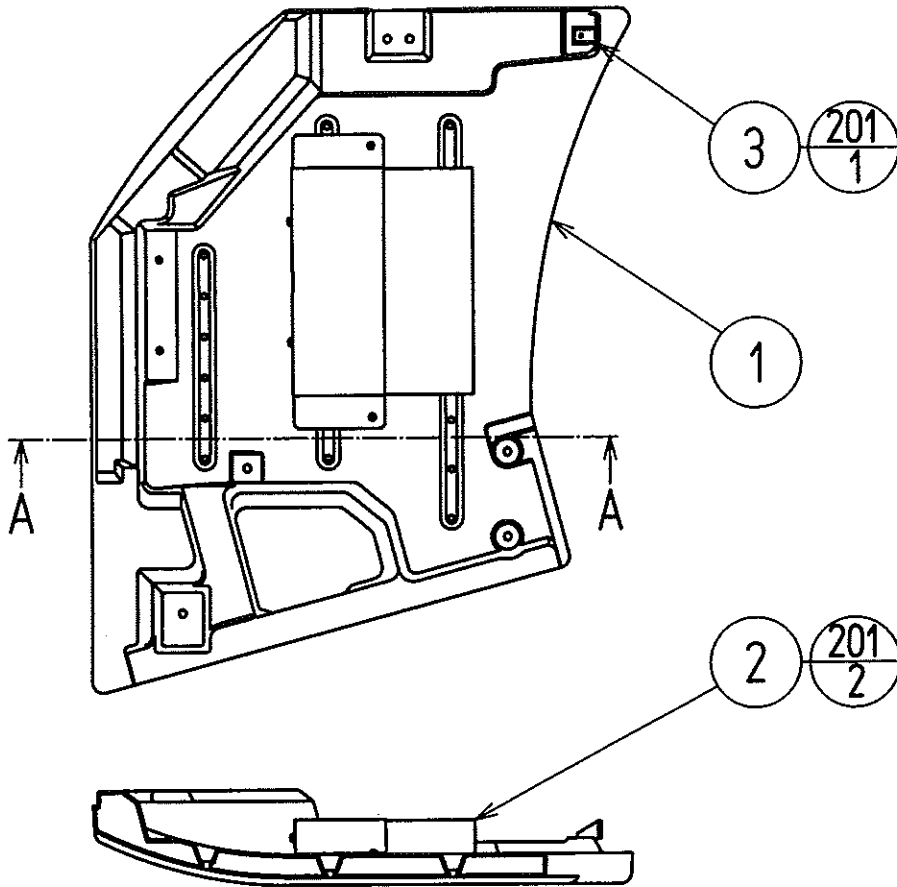
⑨ ASSY MONITOR COVER L 2P (POD-1170)



SECTION A-A

ITEM NO.	PART NO.	DESCRIPTION	NOTE
1	POD-1151-A	COVER PANEL L BLANK	
2	APC-1560	ASSY SPEAKER L	
3	DYN-1032	MASK BRKT	
201	000-P00408-W	M SCR PH W/FS M4 × 8	

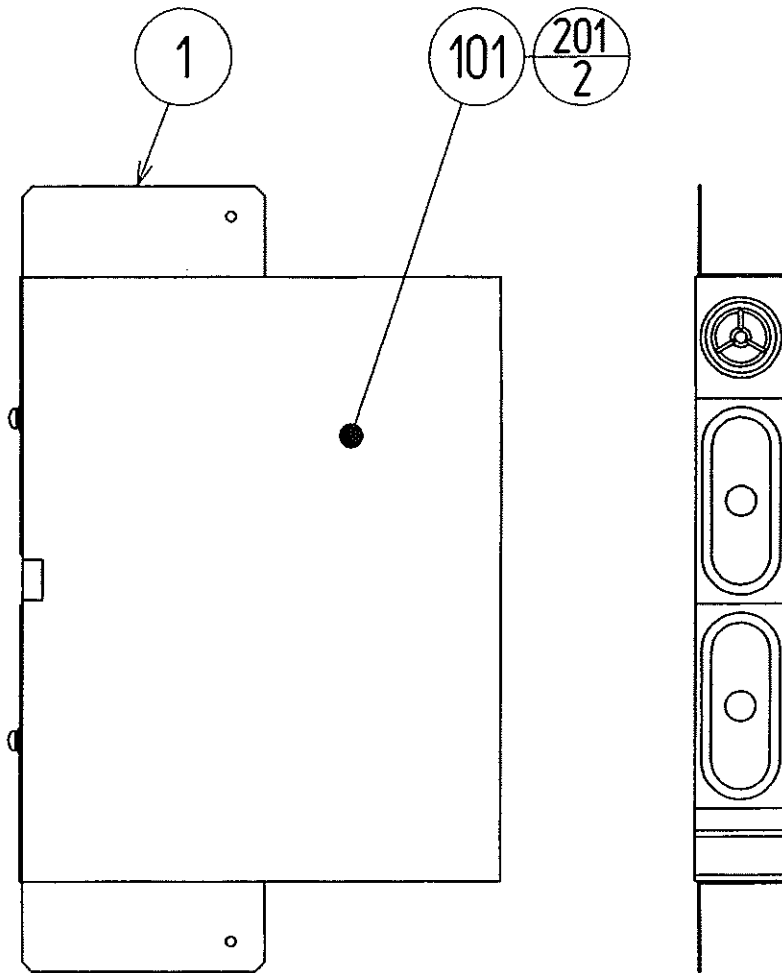
⑩ ASSY MONITOR COVER R 2P (POD-1180)



SECTION A-A

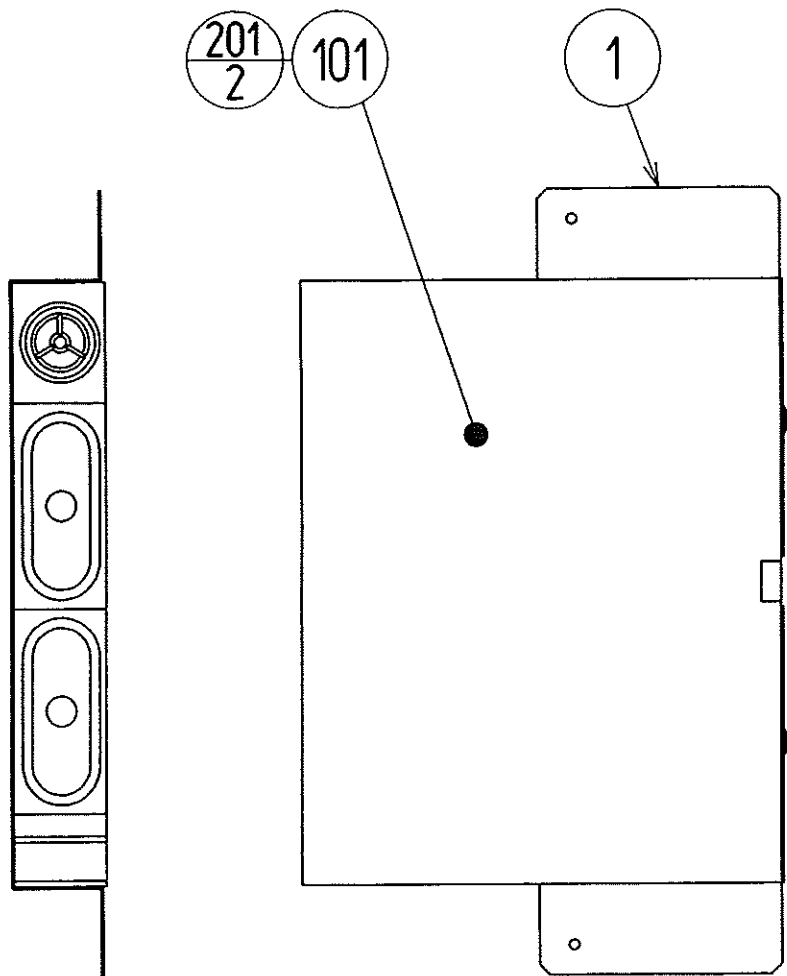
ITEM NO.	PART NO.	DESCRIPTION	NOTE
1	POD-1161	COVER PANEL R 2P	
2	APC-1565	ASSY SPEAKER R	
3	DYN-1032	MASK BRKT	
201	000-P00408-W	M SCR PH W/FS M4 × 8	

⑪ ASSY SPEAKER L (APC-1560)

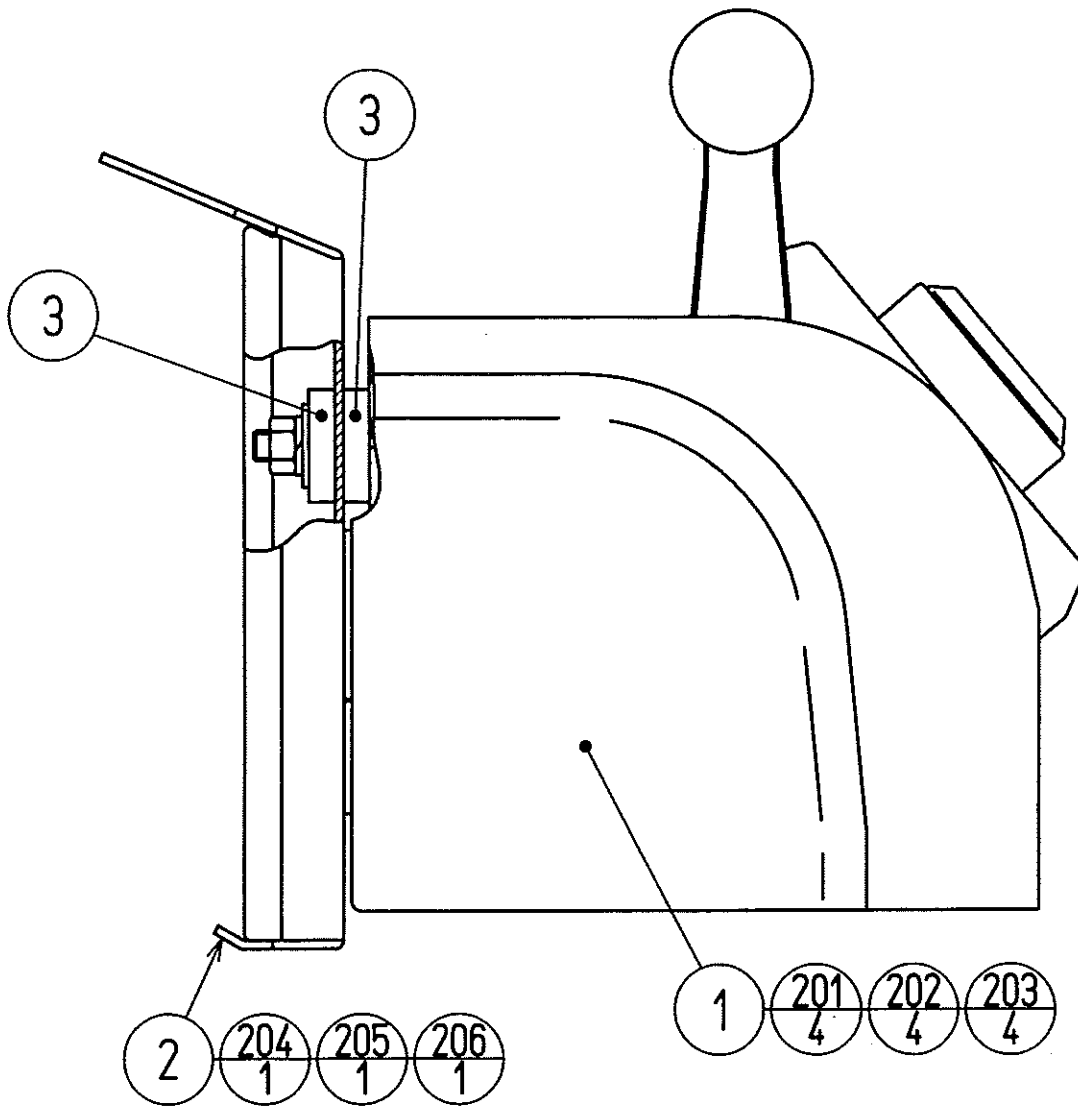


ITEM NO.	PART NO.	DESCRIPTION	NOTE
1	APC-1561	SPEAKER BRKT	
101	130-5156	SPEAKER BOX 80HM 20W	
201	000-P00512-W	M SCR PH W/FS M5 × 12	

⑫ ASSY SPEAKER R (APC-1565)



ITEM NO.	PART NO.	DESCRIPTION	NOTE
1	APC-1561	SPEAKER BRKT	
101	130-5156	SPEAKER BOX 80HM 20W	
201	000-P00512-W	M SCR PH W/FS M5 × 12	



SCREW FASTENING TORQUE TO BE

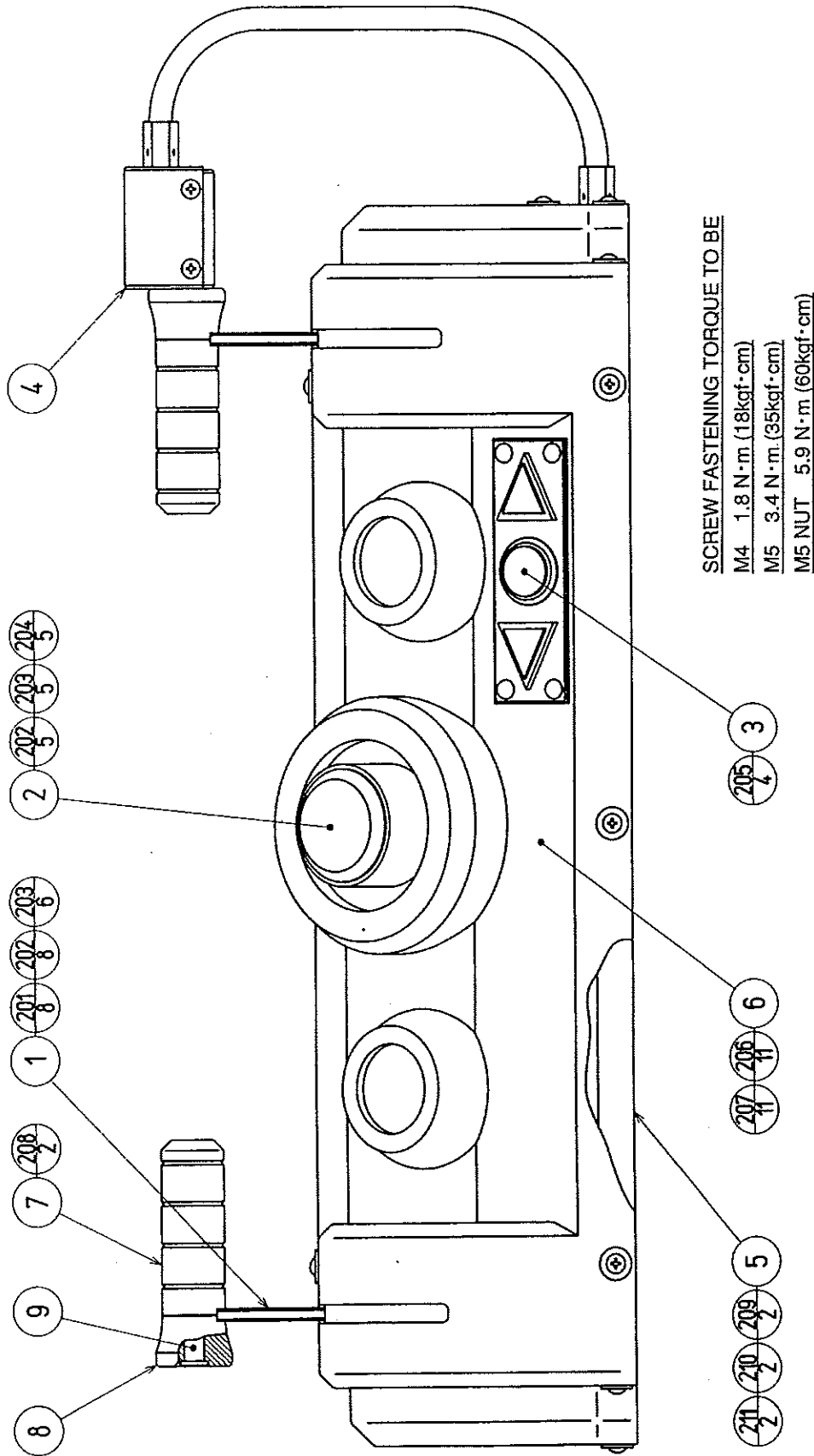
M4 NUT 2.5N·m (25kgf·cm)

M8 20N·m (200kgf·cm)

⑬ ASSY CONTROL PANEL (POD-20001)

(D-2/2)

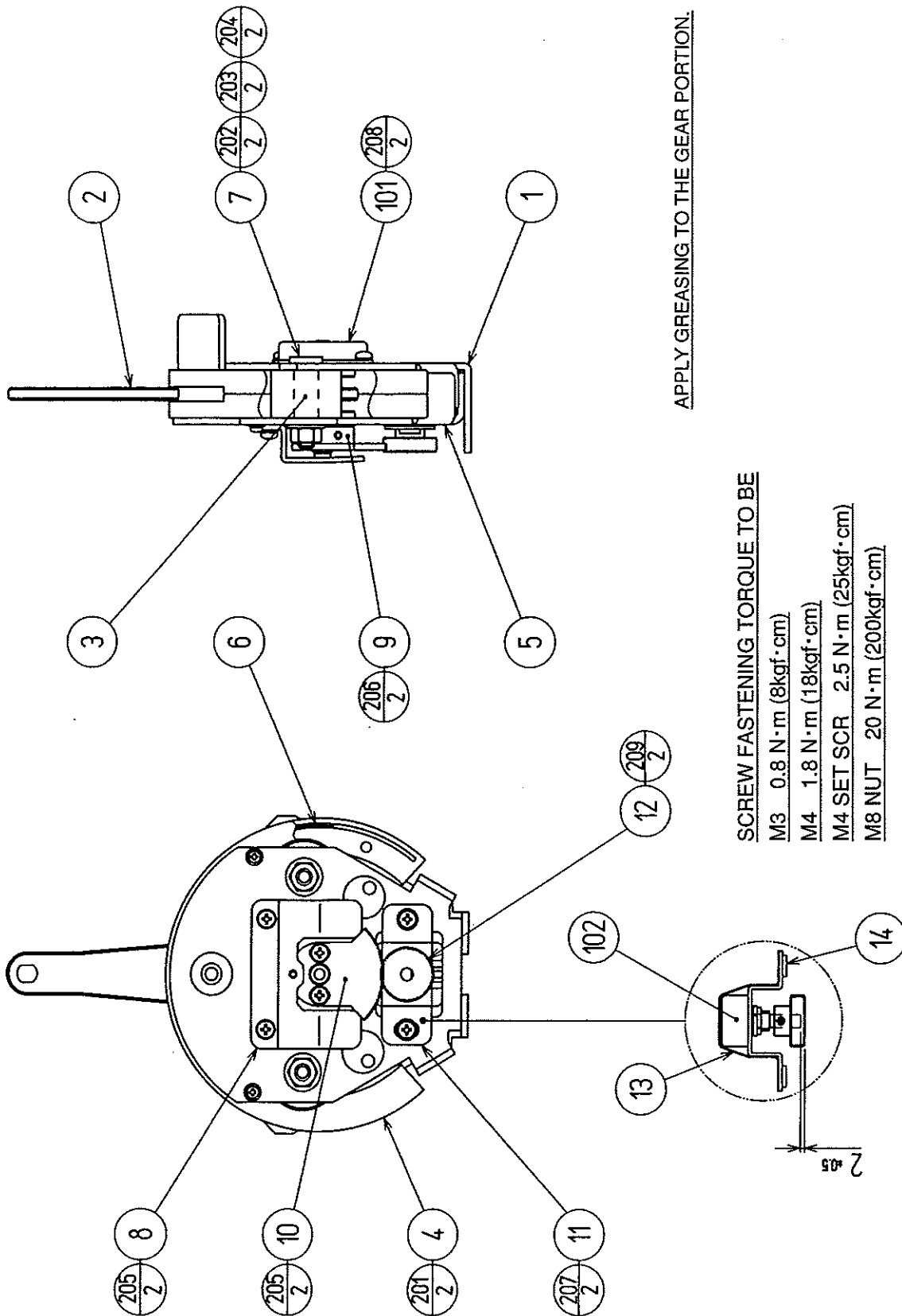
ITEM NO.	PART NO.	DESCRIPTION	NOTE
1	POD-2100	ASSY CONTROLLER	
2	POD-2011	CTRL PNL BASE TWIN	
3	POD-2012	SPACER COLLAR	
101	280-5169	CORD CLAMP TL-20S	
201	050-H00800	HEX NUT M8	
202	060-S00800	SPR WSHR M8	
203	068-852216	FLT WSHR 8.5-22 × 1.6	
204	050-H00400	HEX NUT M4	
205	060-S00400	SPR WSHR M4	
206	060-F00400	FLT WSHR M4	



⑭ ASSY CONTROLLER (POD-2100)

(D-2/2)

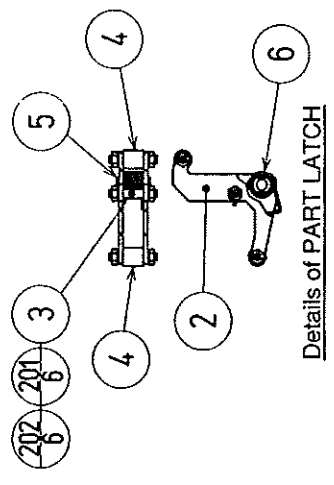
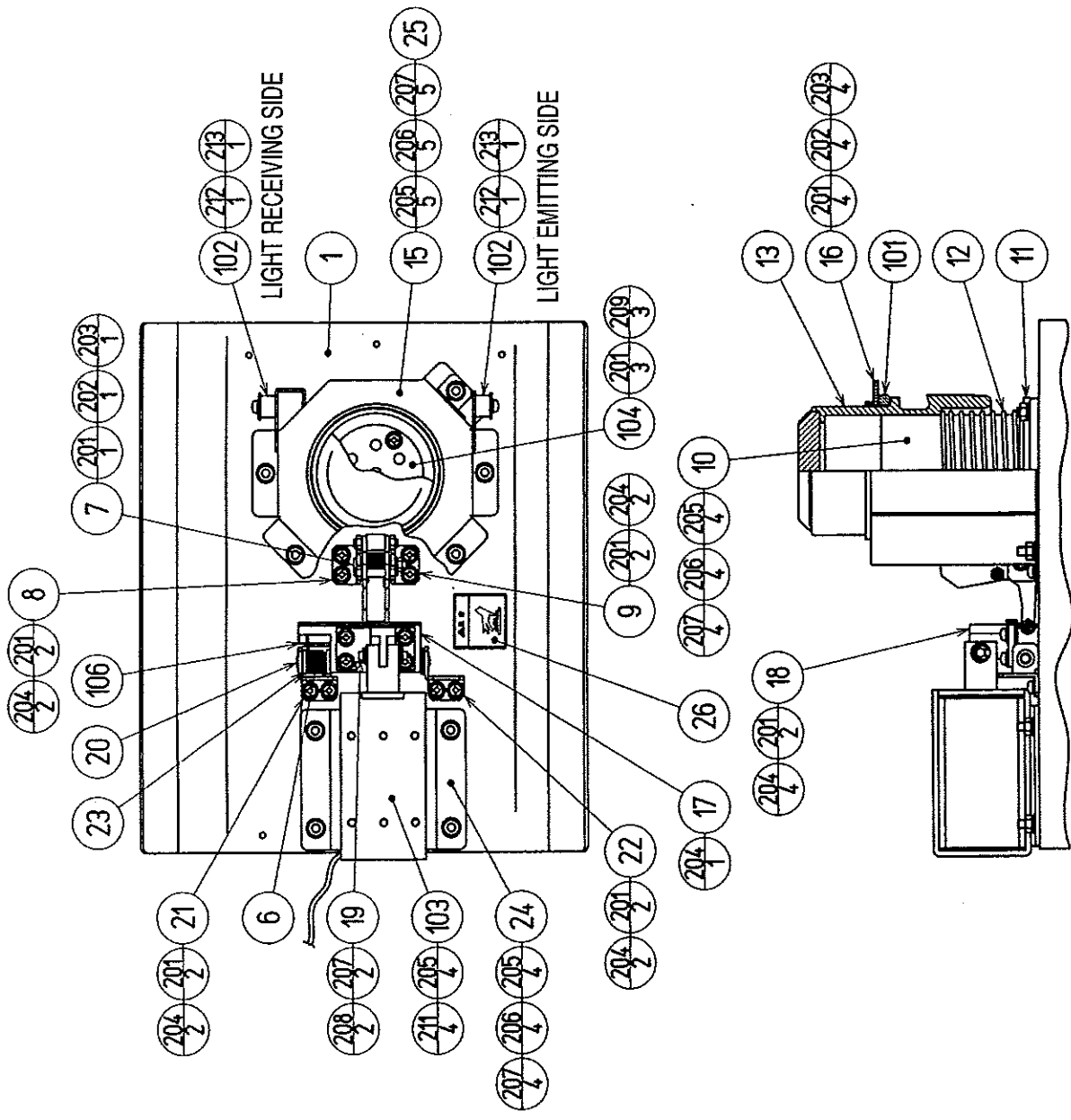
ITEM NO.	PART NO.	DESCRIPTION	NOTE
1	POD-2200	ASSY LEVER MECHA	
2	POD-2300	ASSY BOOST BUTTON	
3	POD-2400	ASSY START SW	
4	POD-2500	ASSY BRAKE	
5	POD-2101	CONTROLLER BASE	
6	POD-2102	CTRL PNL COVER	
7	POD-2103	GRIP	
8	POD-2104	GRIP END	
9	POD-2105	GRIP PIN	
101	280-5169	CORD CLAMP TL-20S	
102	280-5207	HARNESS LUG CC-1005	
103	280-5277	CORD CLAMP 18	
201	020-000512-HZ	HEX SKT CAP SCR BLK OZ M5 × 12	
202	060-S00500	SPR WSHR M5	
203	060-F00500	FLT WSHR M5	
204	050-H00500	HEX NUT M5	
205	000-T00412-OB	M SCR TH BLK M4 × 12	
206	000-T00408-OC	M SCR TH CRM M4 × 8	
207	068-441616-OC	FLT WSHR CRM 4.4-16 × 1.6	
208	000-P00430-WB	M SCR PH W/FS BLK M4 × 30	
209	050-H00400	HEX NUT M4	
210	060-S00400	SPR WSHR M4	
211	060-F00400	FLT WSHR M4	
212	050-F00400	FLG NUT M4	
213	010-P00306-F	S-TITE SCR PH W/F M3 × 6	
301	POD-60021	WIRE HARN ANALOG CTRL	
302	POD-60022	WIRE HARN BOOST SOL	
303	POD-60023	WIRE HARN I/O CTRL	



⑮ ASSY LEVER MECHA (POD-2200)

(D-2/2)

ITEM NO.	PART NO.	DESCRIPTION	NOTE
1	POD-2201	LEVER BRKT INNER	
2	POD-2202	LEVER SHAFT	
3	POD-2203	STOPPER RUBBER LEVER	
4	APC-3251	LEVER GUIDE	
5	APC-3253	LEVER BRKT OUTER	
6	APC-3255	SHUTTER PLATE	
7	APC-3257	STOPPER SHAFT LEVER	
8	APC-3258	Z BRKT	
9	TTR-2009	GEAR HOLDER 80	
10	601-6005	ADJUST GEAR	
11	APC-3209	VR BRKT LEVER INSU	
12	601-6555	GEAR Z=30 M=0.75	
13	APC-3208	INSULATOR PAPER LEVER	
14	APC-2014	INSULATOR BUSH	
101	601-10573-91	ROTARY DAMPER ROLL	
102	220-5484	VOL CONT B-5K OHM	
	220-5373	VOL CONT B-5K	
103	310-5029-D20	SUMITUBE F D 20 MM	
201	000-P00330-W	M SCR PH W/FS M3 × 30	
202	050-H00800	HEX NUT M8	
203	060-S00800	SPR WSHR M8	
204	060-F00800	FLT WSHR M8	
205	000-P00408-W	M SCR PH W/FS M4 × 8	
206	028-A00408-P	SET SCR HEX SKT CUP P M4 × 8	
207	000-P00412-W	M SCR PH W/FS M4 × 12	
208	000-P00408-S	M SCR PH W/S M4 × 8	
209	028-C00406-P	SET SCR CH CUP P M4 × 6	
301	POD-60024	WIRE HARN ANALOG	



Details of PART LATCH

APPLY GREASING TO THE SPRING PORTION AND THE SLIDING PORTION.
USE GREASE 248 (090-0070).

SCREW FASTENING TORQUE TO BE

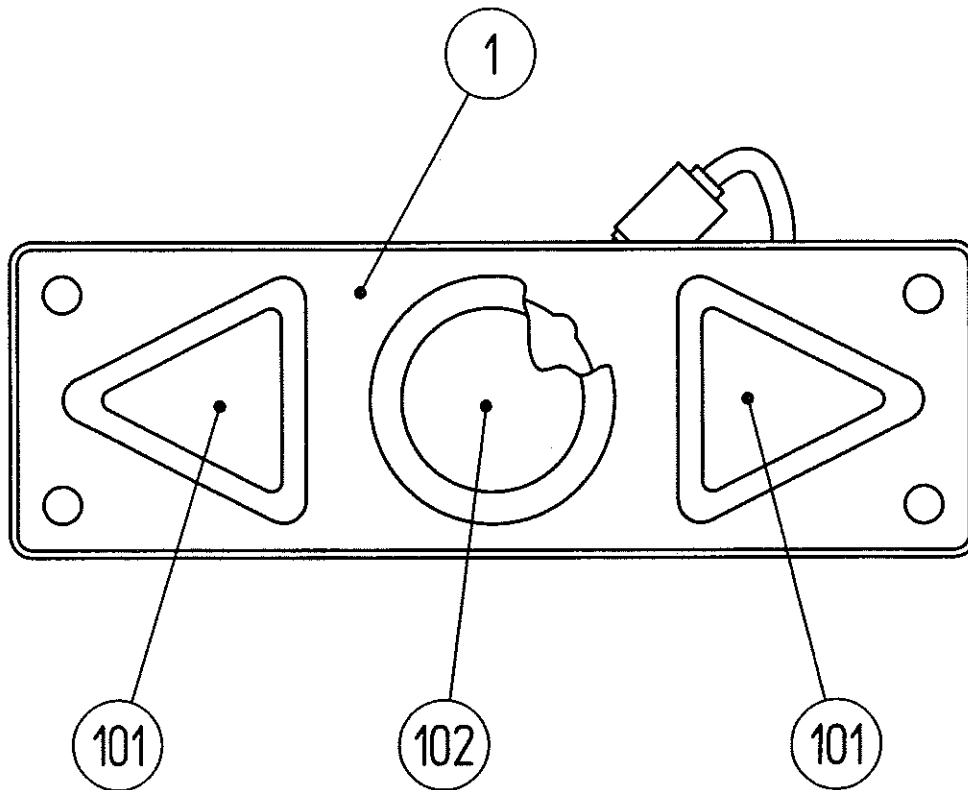
M3	0.8 N·m (8kgf·cm)
M3 NUT	1.5 N·m (15kgf·cm)
M4	1.8 N·m (18kgf·cm)
M4 NUT	2.5 N·m (25kgf·cm)

①6 ASSY BOOST BUTTON (POD-2300)

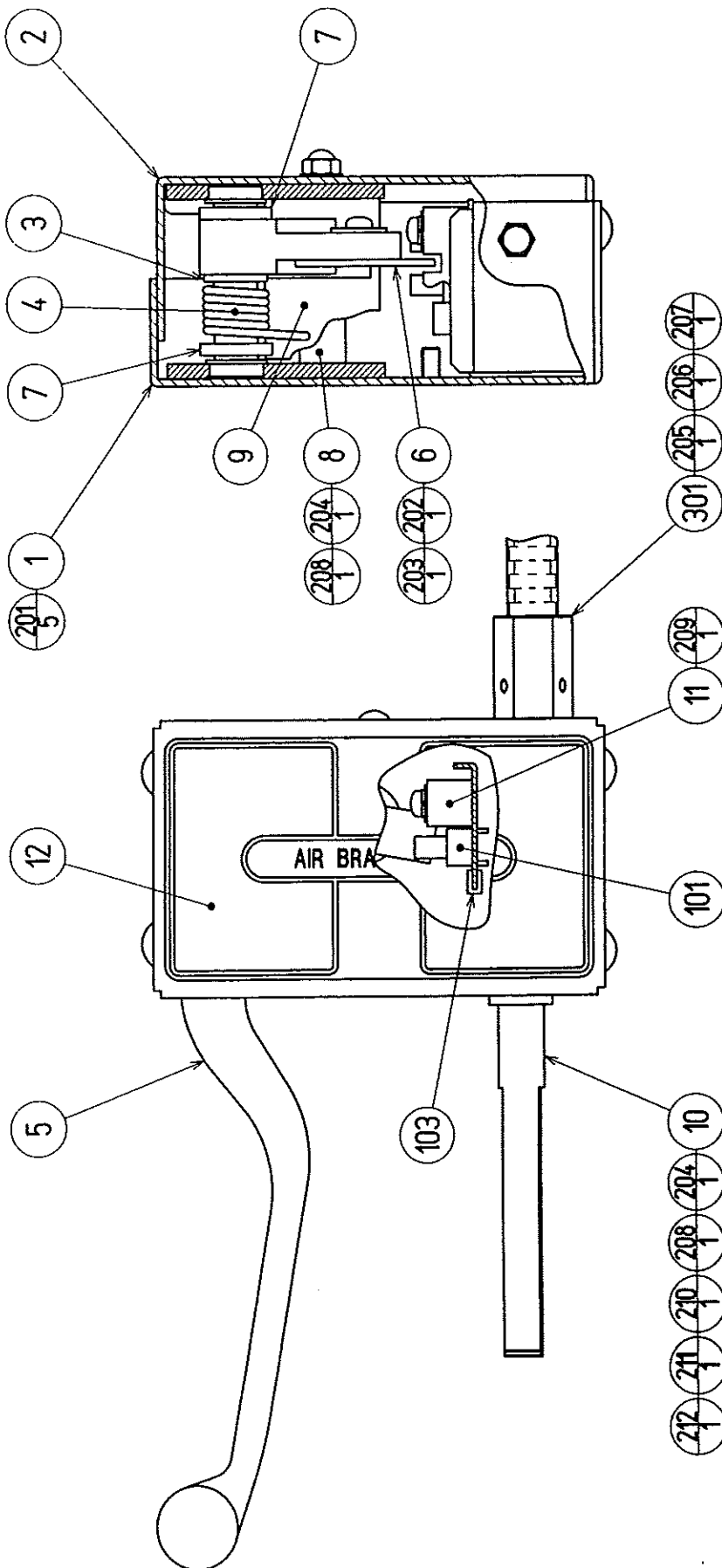
(D-2/2)

ITEM NO.	PART NO.	DESCRIPTION	NOTE
1	POD-2301	BOOST MECHA BASE	
2	POD-2302	LATCH ARM	
3	POD-2303	ROLLER PIN	
4	POD-2304	ROLLER	
5	POD-2305	LATCH COLLAR	
6	POD-2306	TOR SPRING BOOST	
7	POD-2307	LATCH PIN	
8	POD-2308	LATCH BRKT L	
9	POD-2309	LATCH BRKT R	
10	POD-2310	PIPE BASE	
11	POD-2311	STOPPER RUBBER BOOST	
12	POD-2312	COM SPRING	
13	POD-2327	BUTTON W/PLATE	
15	POD-2315	UPPER BASE	
16	POD-2316	BUTTON GUIDE	
17	POD-2317	RELEASE BRKT	
18	POD-2318	PLUNGER HOLDER	
19	POD-2319	PLUNGER PIN	
20	POD-2320	RELEASE PIN	
21	POD-2321	BEARING BRKT L	
22	POD-2322	BEARING BRKT R	
23	POD-2323	SPRING COLLAR	
24	POD-2324	SOLENOID BASE	
25	POD-2326	BLIND PLATE BOOST	
26	440-CS0149-EG	STICKER C HI TEMP M ENG	
101	601-10948	O-RING P-60	
102	370-5216	PHOTO SENSOR OMT-01DAMP	
103	124-5086-01	SOLENOID DC24V G-1577	
104	838-14051	LED BD POD	
105	280-5207	HARNESS LUG CC-1005	
106	601-6231-B015	EDGING NEW TYPE	
201	050-H00300	HEX NUT M3	
202	060-S00300	SPR WSHR M3	
203	060-F00300	FLT WSHR M3	
204	000-P00308-W	M SCR PH W/FS M3 × 8	
205	050-H00400	HEX NUT M4	
206	060-S00400	SPR WSHR M4	
207	060-F00400	FLT WSHR M4	
208	065-E00300	E RING 3MM	
209	000-P00330-W	M SCR PH W/FS M3 × 30	
210	090-0269	BOND	
211	000-P00412-W	M SCR PH W/FS M4 × 12	
212	000-P00312-S	M SCR PH W/S M3 × 12	
213	250-5421	FLT WSHR 3.5-12 T=1.0	
214	010-P00306-F	S-TITE SCR PH W/F M3 × 6	
301	POD-60025	WIRE HARN BOOST BUTTON	
302	POD-60026	WIRE HARN LED BD	

⑰ ASSY START SW (POD-2400)



ITEM NO.	PART NO.	DESCRIPTION	NOTE
1	POD-2401	START SW PLATE	
101	509-5970-YE	SW PB OBSF-24TR YE	
102	509-5971-RE	SW PB OBSA-30UM W/L 6V3W RE	
103	601-0460	PLASTIC TIE BELT 100 MM	
301	POD-60028	WIRE HARN SW	



SCREW FASTENING TORQUE TO BE

- M3 0.8 N·m (8kgf·cm)
- M4 1.8 N·m (18kgf·cm)
- M4 NUT 2.5 N·m (25kgf·cm)

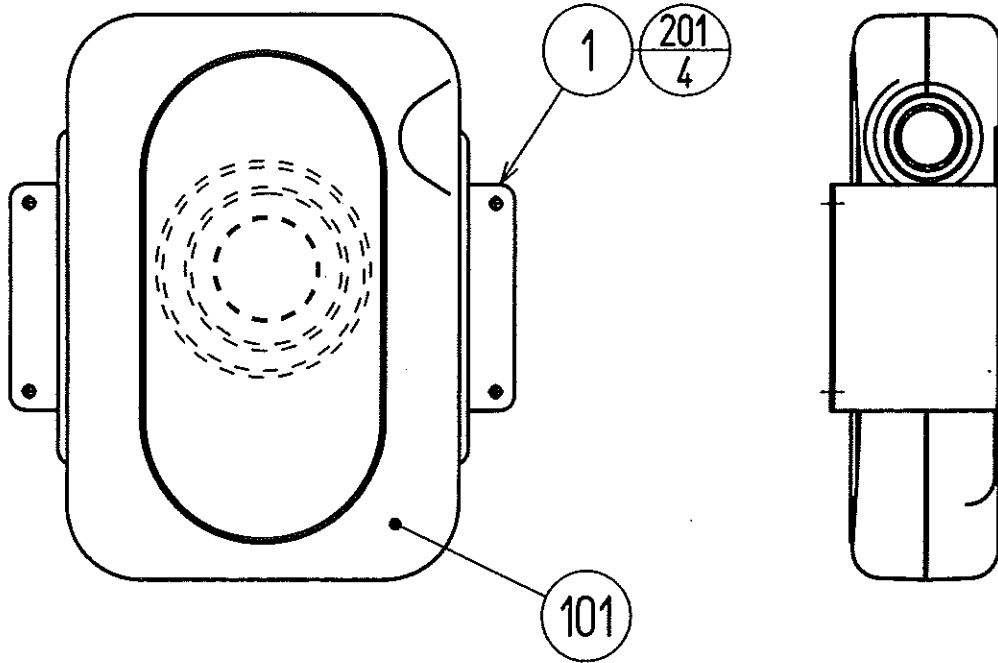
APPLY GREASING TO THE SPRING PORTION.

⑱ ASSY BRAKE (POD-2500)

(D-2/2)

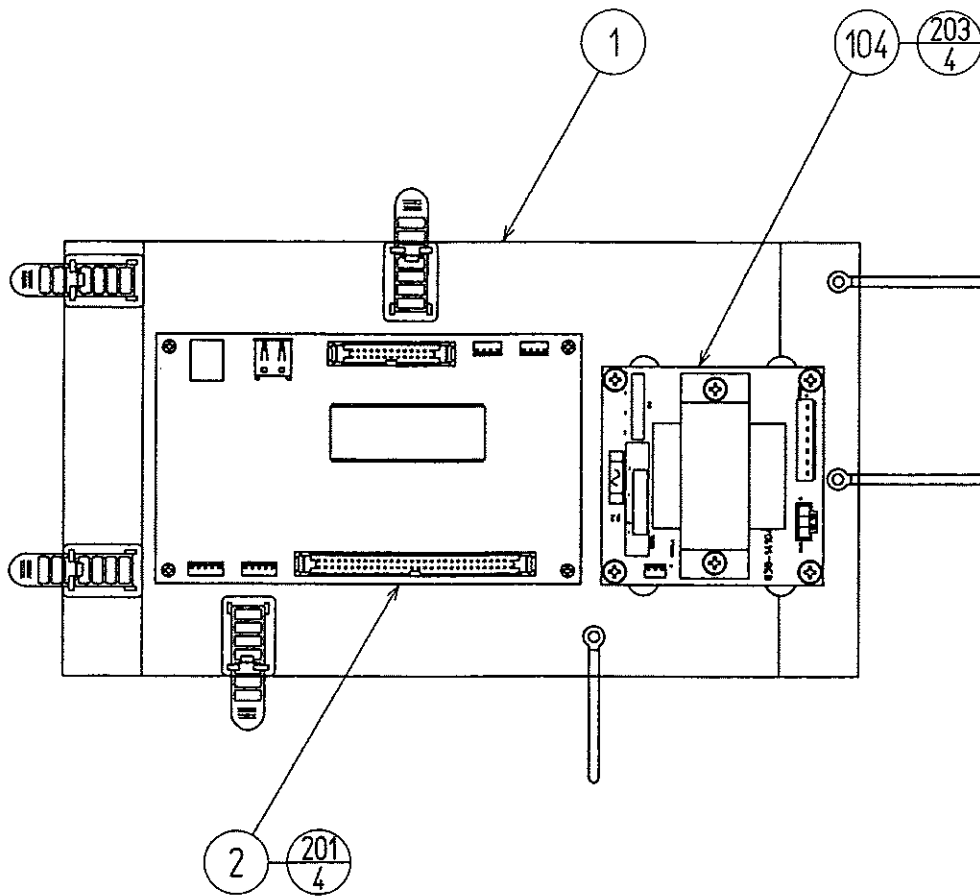
ITEM NO.	PART NO.	DESCRIPTION	NOTE
1	POD-2501	BRAKE COVER UPPER	
2	POD-2502	BRAKE COVER LOWER	
3	POD-2503	BRAKE SHAFT	
4	POD-2504	TOR SPRING BRAKE	
5	POD-2505	BRAKE LEVER	
6	POD-2506	BLIND PLATE	
7	POD-2507	BRAKE COLLAR	
8	POD-2508	STOPPER SHAFT	
9	POD-2509	STOPPER RUBBER BRAKE	
10	POD-2510	GRIP PIN R	
11	POD-2511	SENSOR GUIDE	
12	POD-2512	STICKER BRAKE	
101	370-5161	PHOTO INTERRUPTER GP1A71A	
102	601-0460	PLASTIC TIE BELT 100 MM	
103	601-6231-A034	EDGING NEW TYPE (L=34MM)	
201	000-T00408-0B	M SCR TH BLK M4 × 8	
202	012-P00308	TAP SCR #2 PH 3 × 8	
203	250-5421	FLT WSHR 3.5-12 T=1.0	
204	050-C00400-3B	CAP NUT TYPE3 BLK M4	
205	050-H00400	HEX NUT M4	
206	060-S00400	SPR WSHR M4	
207	060-F00400	FLT WSHR M4	
208	060-F00400-0B	FLT WSHR BLK M4	
209	000-P00314-W	M SCR PH W/FS M3 × 14	
210	050-H01000	HEX NUT M10	
211	060-S01000	SPR WSHR M10	
212	060-F01000	FLT WSHR M10	
301	POD-60027	WIRE HARN BRAKE	

①9 ASSY WOOFER (POD-1300)



ITEM NO.	PART NO.	DESCRIPTION	NOTE
1	POD-1301	WOOFER BRKT	
101	130-5218	SUB WOOFER 40HM 40W	
201	012-P00412	TAP SCR #2 PH 4 × 12	

② ASSY CONTROL BD TWIN (POD-4600)



ITEM NO.	PART NO.	DESCRIPTION	NOTE
1	POD-4601	CONTROL BD BASE TWIN	
2	837-13551-92	I/O CONTROL BD FOR JVS	
101	280-5207	HARNESS LUG CC-1005	
102	601-0460	PLASTIC TIE BELT 100 MM	
103	280-6600	CORD CLAMP TL-20W	
104	838-14104	SSR BD AC100V IN DC24V OUT	
201	011-P00325	TAP SCR PH 3 × 25	
202	011-T03512	TAP SCR TH 3.5 × 12	
203	000-P00416-W	M SCR PH W/FS M4 × 16	
301	POD-61021	WIRE HARN RA60P	
302	POD-61022	WIRE HARN I/O BD PWR	
303	POD-61023	WIRE HARN SSR OUT	
304	POD-61024	WIRE HARN RA26P	
305	POD-61025	WIRE HARN AC IN	

②1 ASSY WIRE AC COCKPIT (POD-6007)

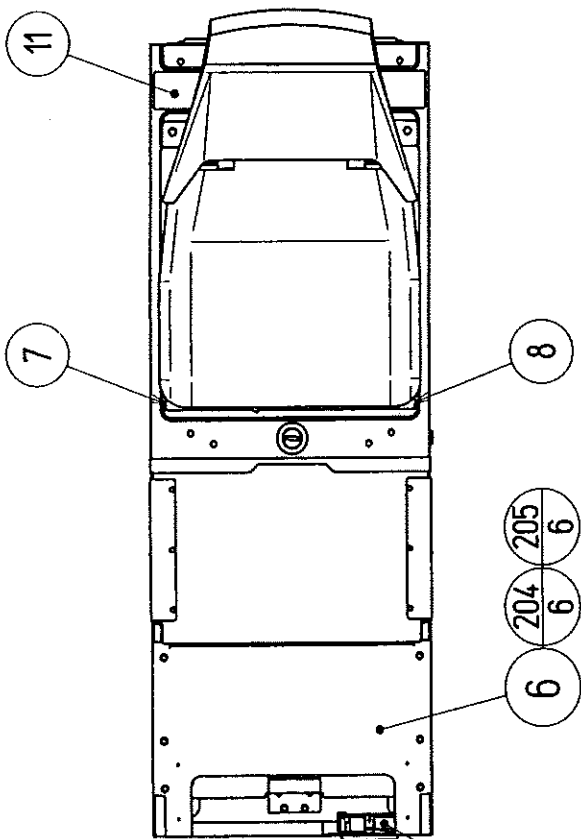
ASSY WIRE AC COCKPIT (POD-6007) is comprised of the following wire harnesses.
An ASSY DRG. is unavailable.

ITEM NO.	PART NO.	DESCRIPTION	NOTE
101	601-0460	PLASTIC TIE BELT 100 MM	
301	POD-61012	WIRE HARN AC EXT U	
302	POD-61007	WIRE HARN SOL EXT	
303	600-6972-0300	WIRE HARN EARTH ID5 0300MM	
304	600-6972-1250	WIRE HARN EARTH ID5 1250MM	
305	POD-61056	WIRE HARN EARTH COCKPIT	

②2 ASSY WIRE DC COCKPIT (POD-6008)

ASSY WIRE DC COCKPIT (POD-6008) is comprised of the following wire harnesses.
An ASSY DRG. is unavailable.

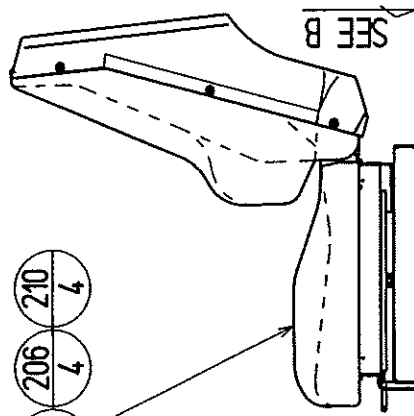
ITEM NO.	PART NO.	DESCRIPTION	NOTE
101	601-0460	PLASTIC TIE BELT 100 MM	
301	POD-61014	WIRE HARN SPEAKER	
302	POD-61015	WIRE HARN DC PWR EXT B	
303	POD-61006	WIRE HARN I/O EXT	
304	POD-61008	WIRE HARN ANALOG EXT	
305	POD-61016	WIRE HARN COIN CHUTE EXT	
306	600-6972-1050	WIRE HARN EARTH ID5 1050MM	



FAN ←

101 $\frac{207}{4}$

2 $\frac{206}{4}$ $\frac{210}{4}$

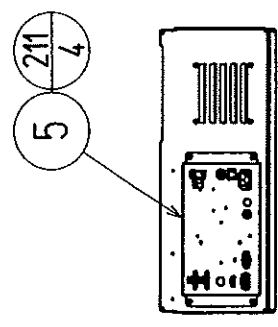


SEE A ↗

1 $\frac{202}{2}$ $\frac{201}{2}$ $\frac{201}{2}$ $\frac{202}{2}$

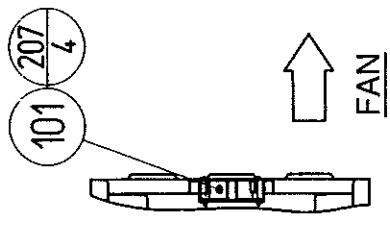
9 (10)

OPPOSITE SIDE



SEE A

TORQUE
M6 8.4N·m
M8 19.5N·m



SEE B

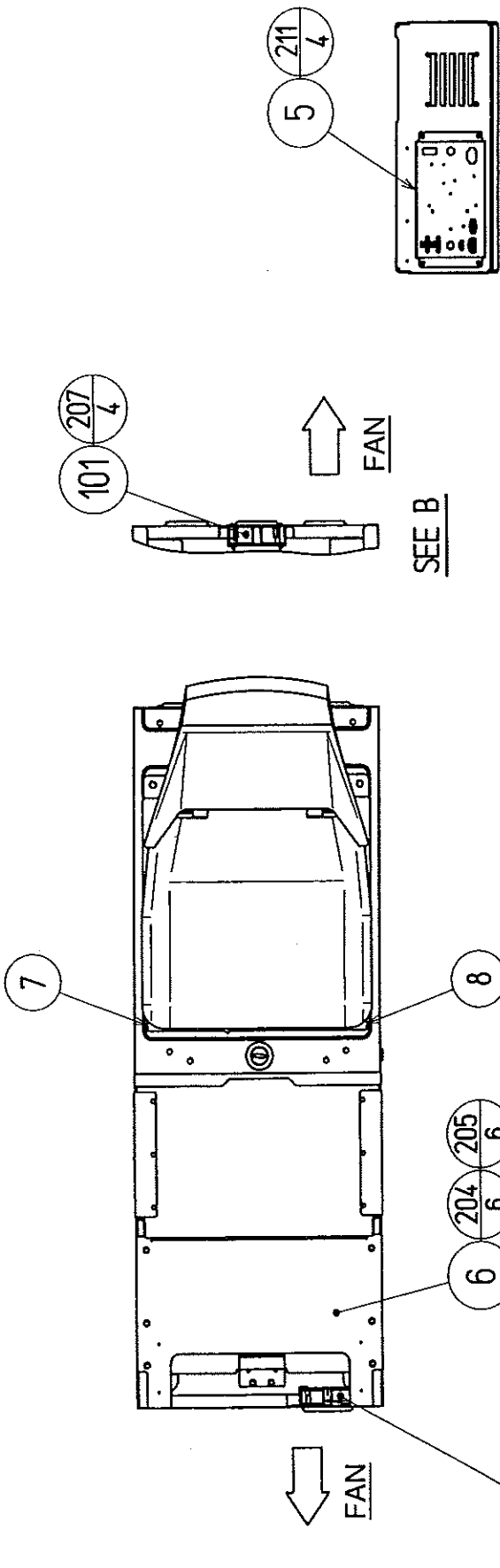
②3 ASSY MAIN BASE 1P (POD-1100)

(D-2/2)

ITEM NO.	PART NO.	DESCRIPTION	NOTE
1	POD-1120	ASSY BASE BOX	
2	POD-1650	ASSY SEAT 1P	
3	POD-4400	ASSY MAIN BD BASE	
4	POD-4500	ASSY PWR SPLY	
5	POD-0400	AC UNIT MAIN	
6	VOT-1101X	FOOT BASE	
7	RAL-2007	RUBBER HOLDER R TWIN	
8	RAL-2008	RUBBER HOLDER L TWIN	
9	POD-1101	STICKER BASE BOX L 1P	
10	POD-1102	STICKER BASE BOX R 1P	
11	POD-1103	STICKER LICENSE	
101	260-0011-02	AXIAL FLOW FAN AC100V 50-60HZ	
102	280-5009-01	CORD CLAMP 21	
103	280-5275-SR10	CORD CLAMP SR10	
104	280-5169	CORD CLAMP TL-20S	
201	000-P00425-W	M SCR PH W/FS M4 × 25	
202	068-441616	FLT WSHR 4.4-16 × 1.6	
203	050-F00500	FLG NUT M5	
204	030-000616-SB	HEX BLT W/S BLK M6 × 16	
205	060-F00600-OB	FLT WSHR BLK M6	
206	060-F00800-OB	FLT WSHR BLK M8	
207	000-P00350-W	M SCR PH W/FS M3 × 50	
210	030-000825-SB	HEX BLT W/S BLK M8 × 25	
211	000-P00408-WB	M SCR PH W/FS BLK M4 × 8	
301	600-6972-0150	WIRE HARN EARTH ID5 0150MM	
302	600-6275-0200	ASSY FIBER CABLE 5 0200CM	
303	POD-61011	WIRE HARN AC EXT L	
304	POD-6006	ASSY WIRE DC	

②4 ASSY MAIN BASE 2P (POD-1200)

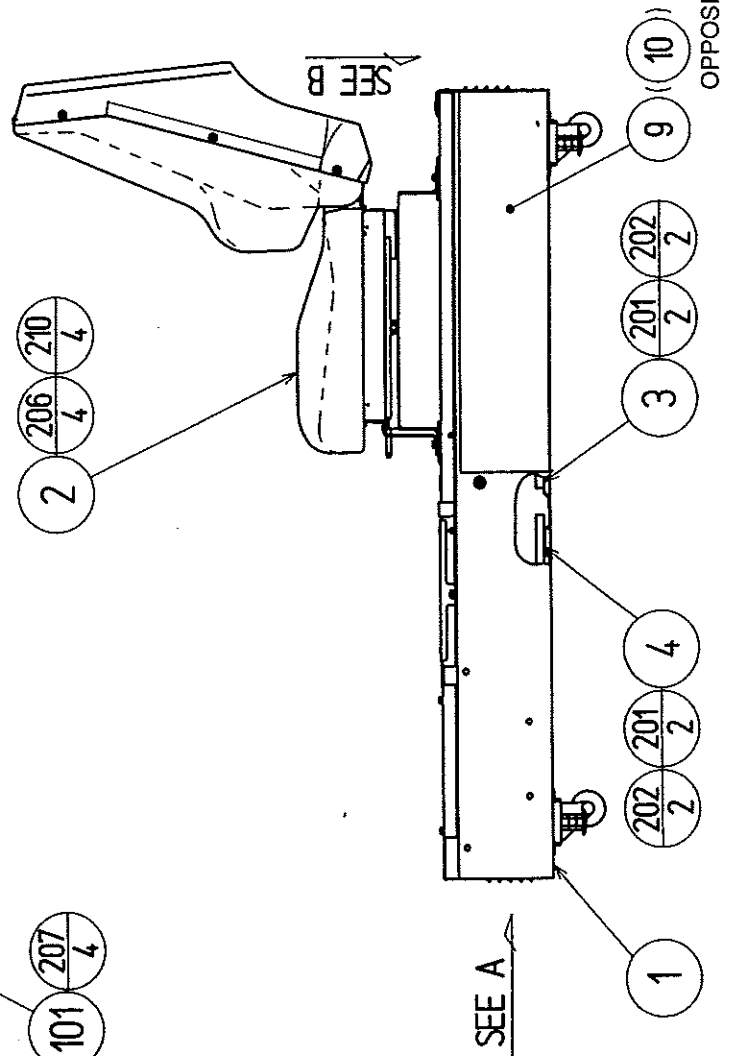
(D-1/2)



SEE A

TORQUE
M6 8.4N·m
M8 19.5N·m

SEE B



SEE A

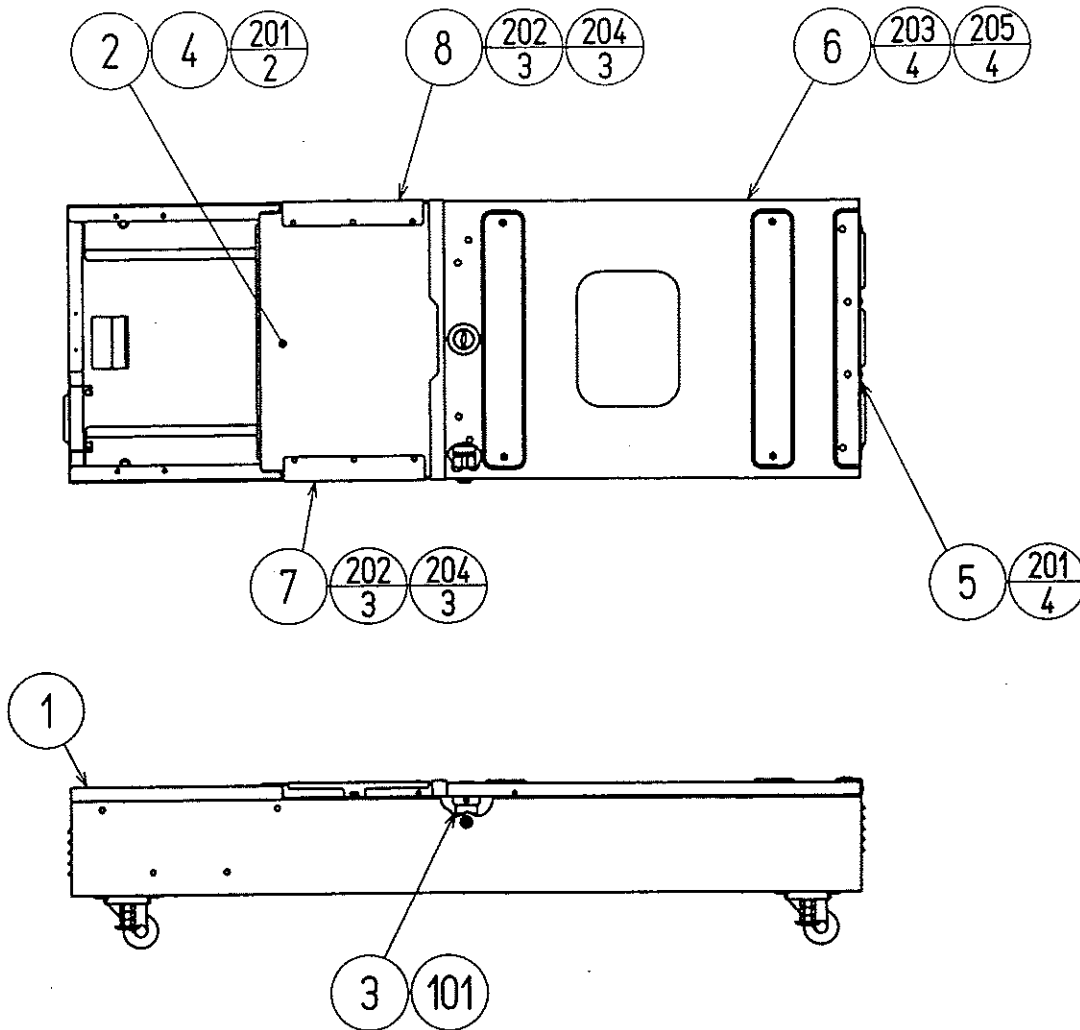
OPPOSITE SIDE

②④ ASSY MAIN BASE 2P (POD-1200)

(D-2/2)

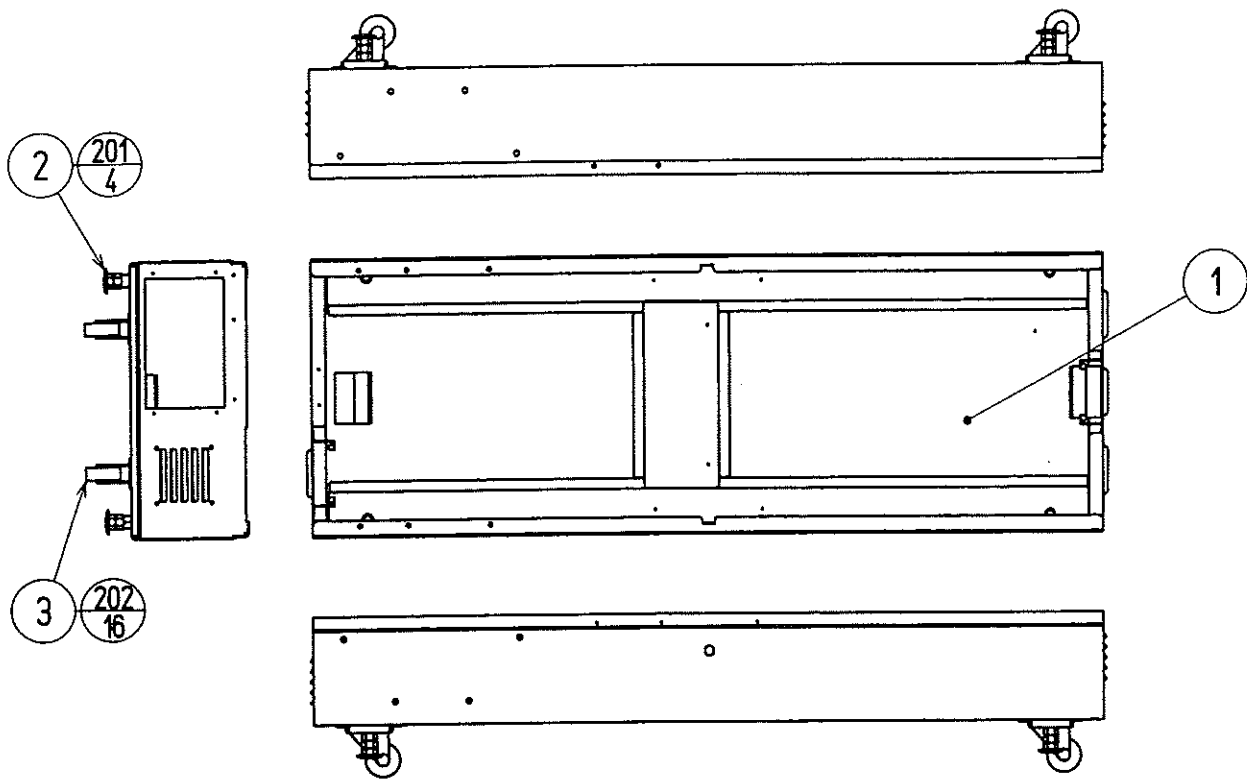
ITEM NO.	PART NO.	DESCRIPTION	NOTE
1	POD-1120	ASSY BASE BOX	
2	POD-1660	ASSY SEAT 2P	
3	POD-4400	ASSY MAIN BD BASE	
4	POD-4500	ASSY PWR SPLY	
5	POD-0700	AC UNIT SUB	
6	VOT-1101X	FOOT BASE	
7	RAL-2007	RUBBER HOLDER R TWIN	
8	RAL-2008	RUBBER HOLDER L TWIN	
9	POD-1201	STICKER BASE BOX L 2P	
10	POD-1202	STICKER BASE BOX R 2P	
101	260-0011-02	AXIAL FLOW FAN AC100V 50-60HZ	
102	280-5009-01	CORD CLAMP 21	
103	280-5275-SR10	CORD CLAMP SR10	
104	280-5169	CORD CLAMP TL-20S	
201	000-P00425-W	M SCR PH W/FS M4 × 25	
202	068-441616	FLT WSHR 4.4-16 × 1.6	
203	050-F00500	FLG NUT M5	
204	030-000616-SB	HEX BLT W/S BLK M6 × 16	
205	060-F00600-0B	FLT WSHR BLK M6	
206	060-F00800-0B	FLT WSHR BLK M8	
207	000-P00350-W	M SCR PH W/FS M3 × 50	
210	030-000825-SB	HEX BLT W/S BLK M8 × 25	
211	000-P00408-WB	M SCR PH W/FS BLK M4 × 8	
301	600-6972-0150	WIRE HARN EARTH ID5 0150MM	
302	600-6275-0200	ASSY FIBER CABLE 5 0200CM	
303	POD-61011	WIRE HARN AC EXT L	
304	POD-6006	ASSY WIRE DC	

②⑤ ASSY BASE BOX (POD-1120)



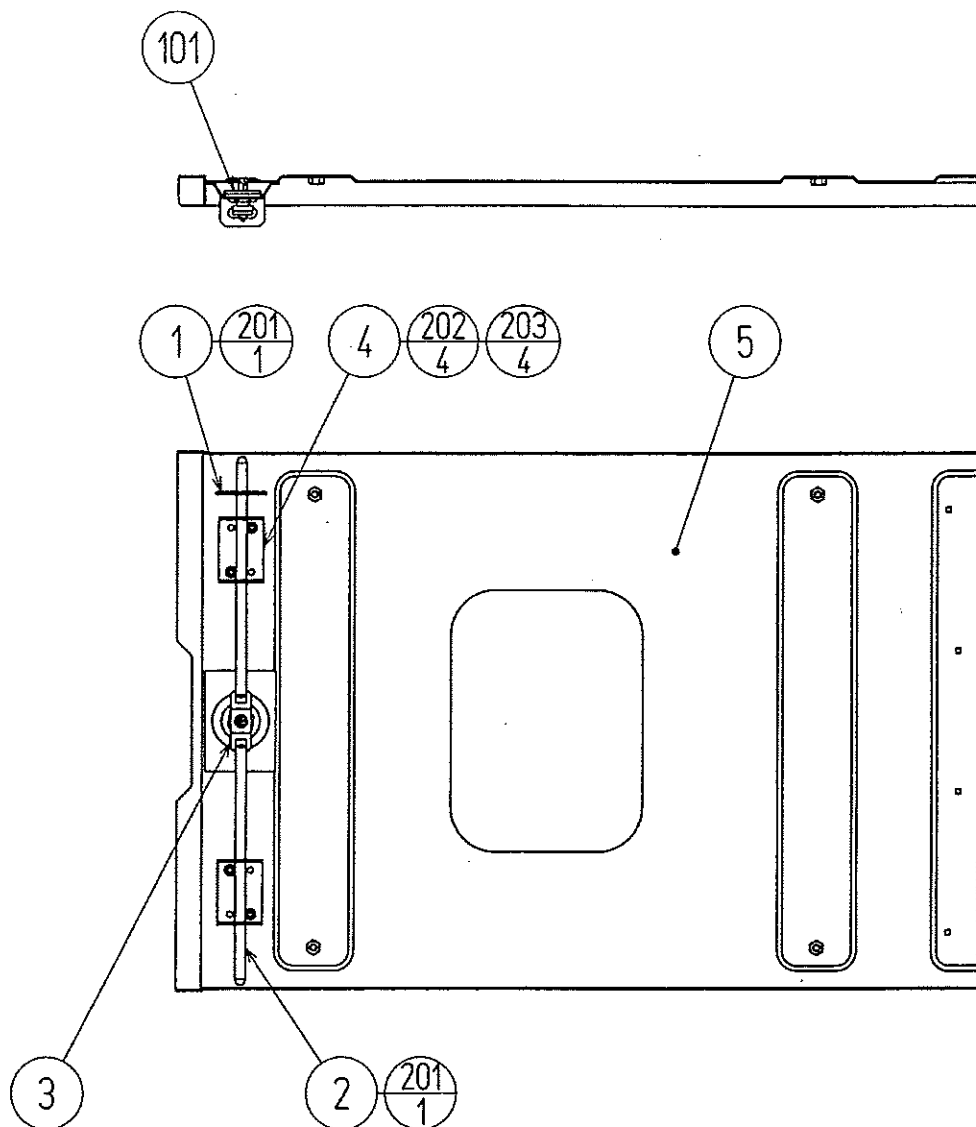
ITEM NO.	PART NO.	DESCRIPTION	NOTE
1	POD-1121	MAIN BASE	
2	DYN-2003	BASE LID F	
3	DYN-2004	LOCK TNG	
4	SDW-1102X	FLOOR MAT	
5	DYN-2006	HINGE 480	
6	FRI-1510X	ASSY BASE LID R	
7	DYN-2007X	LID EDGE L	
8	DYN-2009X	LID EDGE R	
101	220-5575	CAM LOCK MASTER W/O KEY	
201	000-T00512-0B	M SCR TH BLK M5 × 12	
202	031-000414-0C	CRG BLT CRM M4 × 14	
203	031-000514-0B	CRG BLT BLK M5 × 14	
204	050-F00400	FLG NUT M4	
205	050-F00500	FLG NUT M5	

②⑥ MAIN BASE (POD-1121)

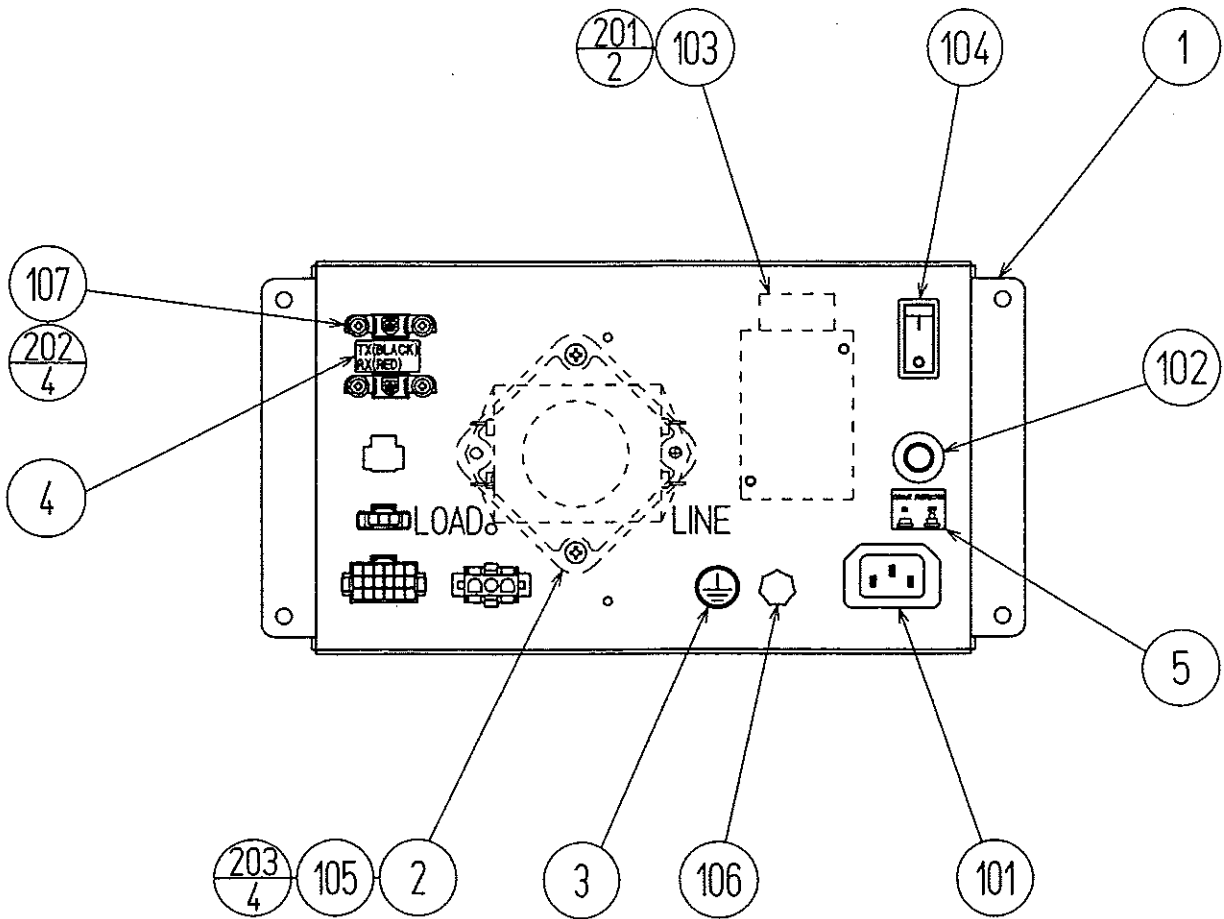


ITEM NO.	PART NO.	DESCRIPTION	NOTE
1	FRI-1501-A	MAIN BASE BLANK	
2	601-5699X	LEG ADJUSTER BOLT M16 × 75	
3	601-5471	CASTER	
201	050-H01600-0B	HEX NUT BLK M16	
202	030-000816-S	HEX BLT W/S M8 × 16	

②⑦ ASSY BASE LID R (FRI-1510X)



ITEM NO.	PART NO.	DESCRIPTION	NOTE
1	DYN-2011	LOCK ROD A	
2	DYN-2012	LOCK ROD B	
3	DYN-2013	LOCK ARM	
4	DYN-2014	ROD HOLDER	
5	FRI-1511X	BASE LID R	
101	601-7551	LOCK HANDLE	
103	280-5008	CORD CLAMP 15	
201	045-C02520	COT PIN 2.5 × 20	
202	031-000510-0B	CRG BLT BLK M5 × 10	
203	050-F00500	FLG NUT M5	

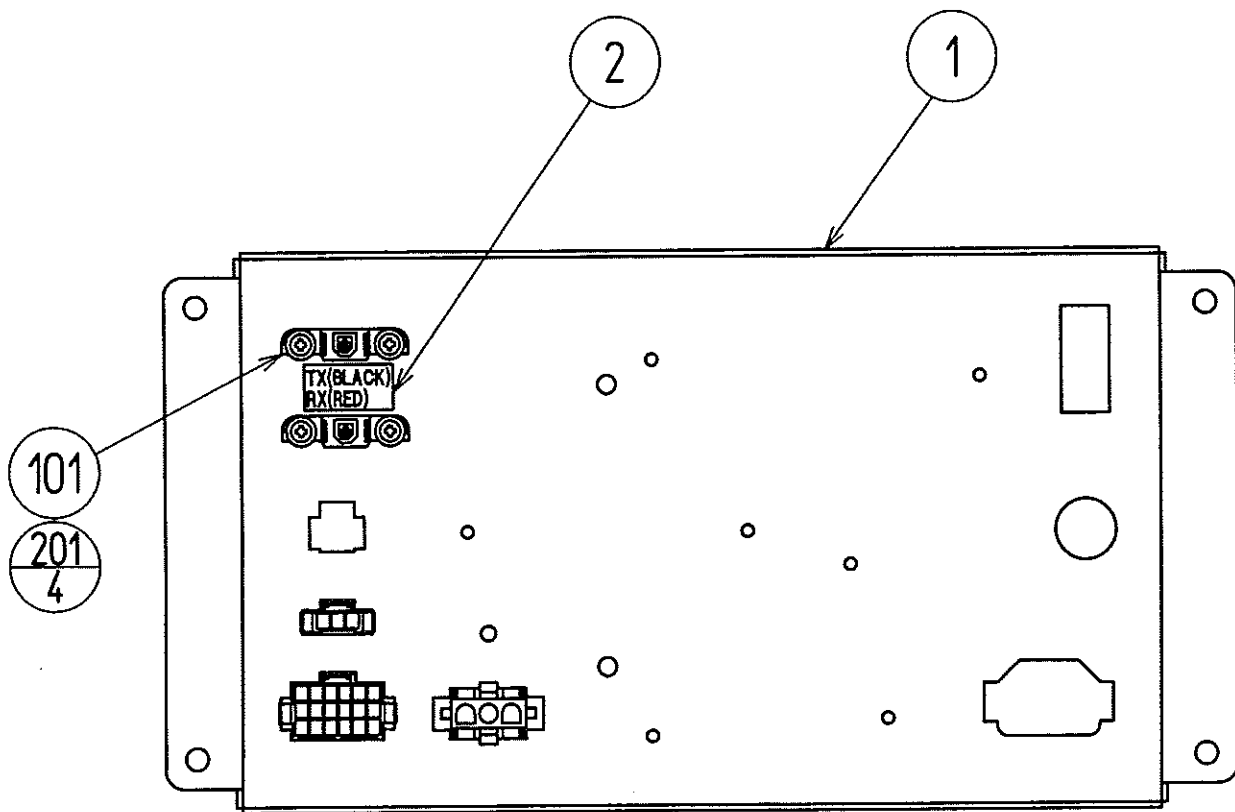


②8 AC UNIT MAIN (POD-0400)

(D-2/2)

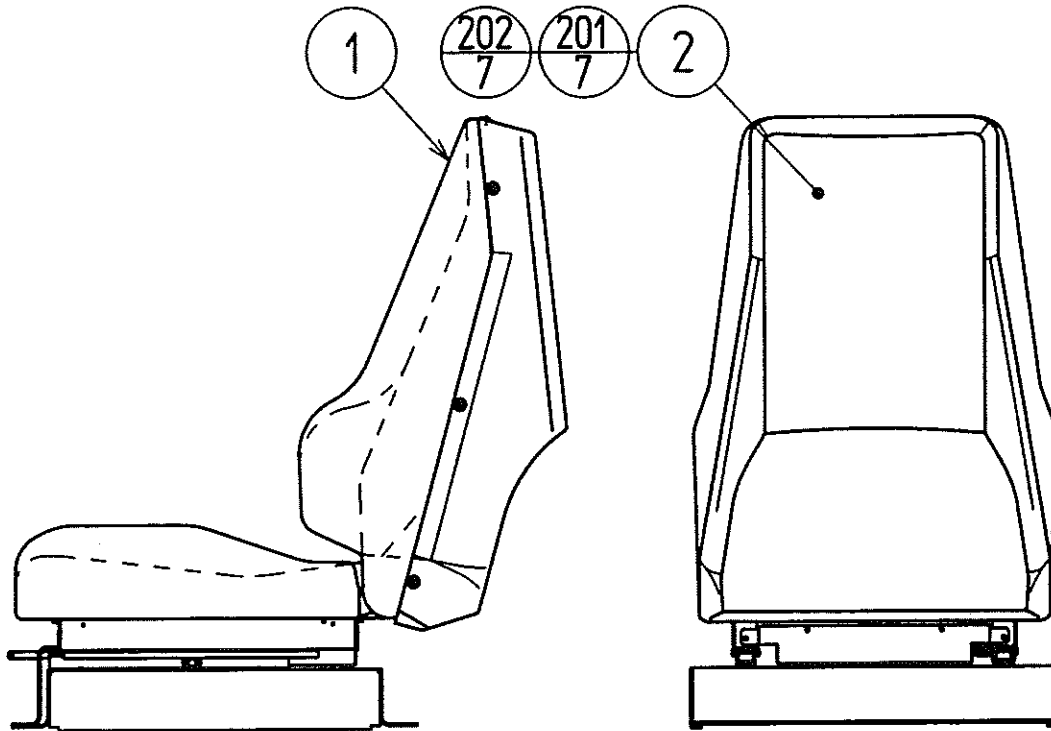
ITEM NO.	PART NO.	DESCRIPTION	NOTE
1	APC-1531X	AC BRKT	
2	DYN-0402	NOISE FILTER BASE	
3	421-8202	STICKER EARTH MARK	
4	421-11282	STICKER OPT CONN	
5	421-7468-01	STICKER C.P W/PIC	
101	214-0202	AC INLET PANEL TYPE	
102	512-5046-15000	C.P 15000MA CE UL	AC 110 ~ 120V AREA
	512-5046-5000	C.P 5000MA CE UL	AC 220 ~ 240V AREA
103	450-5126	MAGNET CONTACT S-NIOCX	TAIWAN
	450-5134	MAGNET CONTACT S-NIOCX AC 230V	OTHERS
	450-5133	MAGNET CONTACT S-NIOCX AC200V	KOREA
	450-5135	MAGNET CONTACT S-NIOCX AC120V	USA
104	509-5453-91-V-B	SW ROCKER J8 V-B	
105	270-5115	NOISE FILTER 15A GT-215J	
106	280-0417	TERMINAL BINDING POST BLACK	TAIWAN
		NOT USED	OTHERS
107	211-5479-01	CONN OPT JOINT	
108	310-5029-K20	SUMITUBE F K 20MM	
109	280-5009-01	CORD CLAMP 21	
110	601-0460	PLASTIC TIE BELT 100 MM	
201	000-P00416-WB	M SCR PH W/FS BLK M4 × 16	
202	000-P00312-W	M SCR PH W/FS M3 × 12	
203	012-P00408	TAP SCR #2 PH 4 × 8	
204	050-H00400	HEX NUT M4	
205	060-S00400	SPR WSHR M4	
206	060-F00400	FLT WSHR M4	
301	FRI-61020	WIRE HARN AC UNIT IN	
302	FRI-61021	WIRE HARN MAIN SW	
303	FRI-61022	WIRE HARN M. CONTACT & N. FILTER	
304	FRI-61023	WIRE HARN AC UNIT OUT	
305	FRI-61024	WIRE HARN N. FILTER & XFMR	
306	FRI-61025	WIRE HARN EARTH INLET	
307	FRI-61026	WIRE HARN EXT AC UNIT	
308	POD-61057	WIRE HARN EARTH AC UNIT	

②9 AC UNIT SUB (POD-0700)



ITEM NO.	PART NO.	DESCRIPTION	NOTE
1	APC-1531X	AC BRKT	
2	421-11282	STICKER OPT CONN	
101	211-5479-01	CONN OPT JOINT	
201	000-P00312-W	M SCR PH W/FS M3 × 12	
202	050-H00400	HEX NUT M4	
203	060-S00400	SPR WSHR M4	
204	060-F00400	FLT WSHR M4	
301	FRI-61026	WIRE HARN EXT AC UNIT	
302	POD-61001	WIRE HARN SUB AC UNIT	
303	POD-61057	WIRE HARN EARTH AC UNIT	

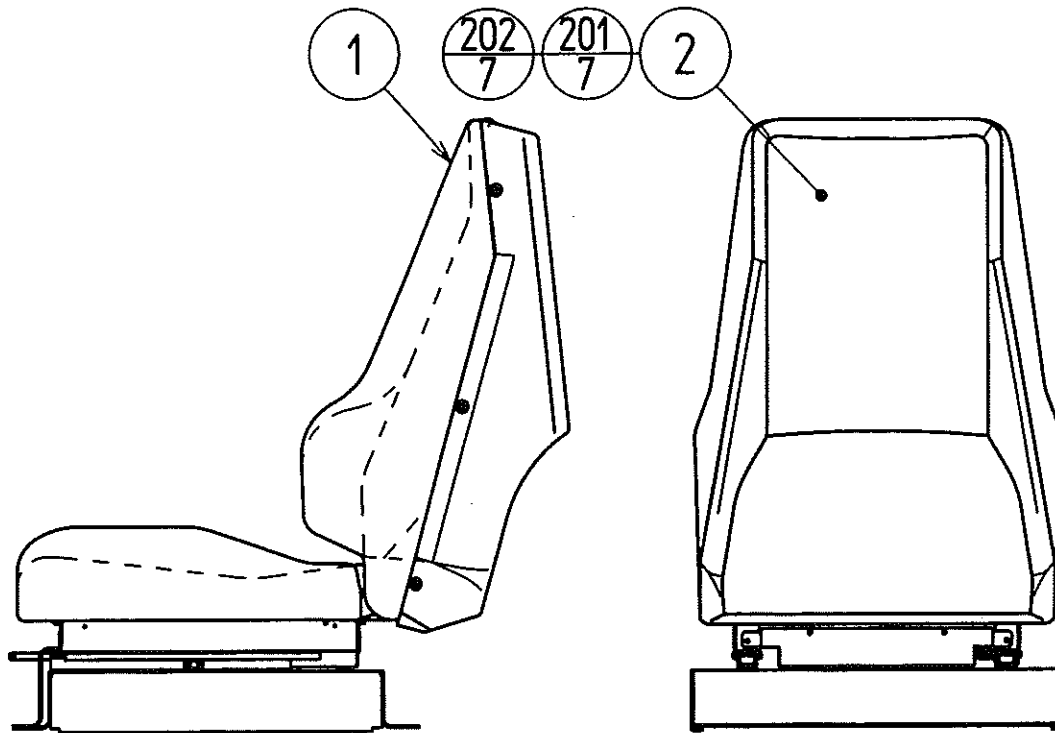
③⑩ ASSY SEAT 1P (POD-1650)



SCREW FASTENING TORQUE TO BE
M4 Sonic Lock Portion: 0.9N·m

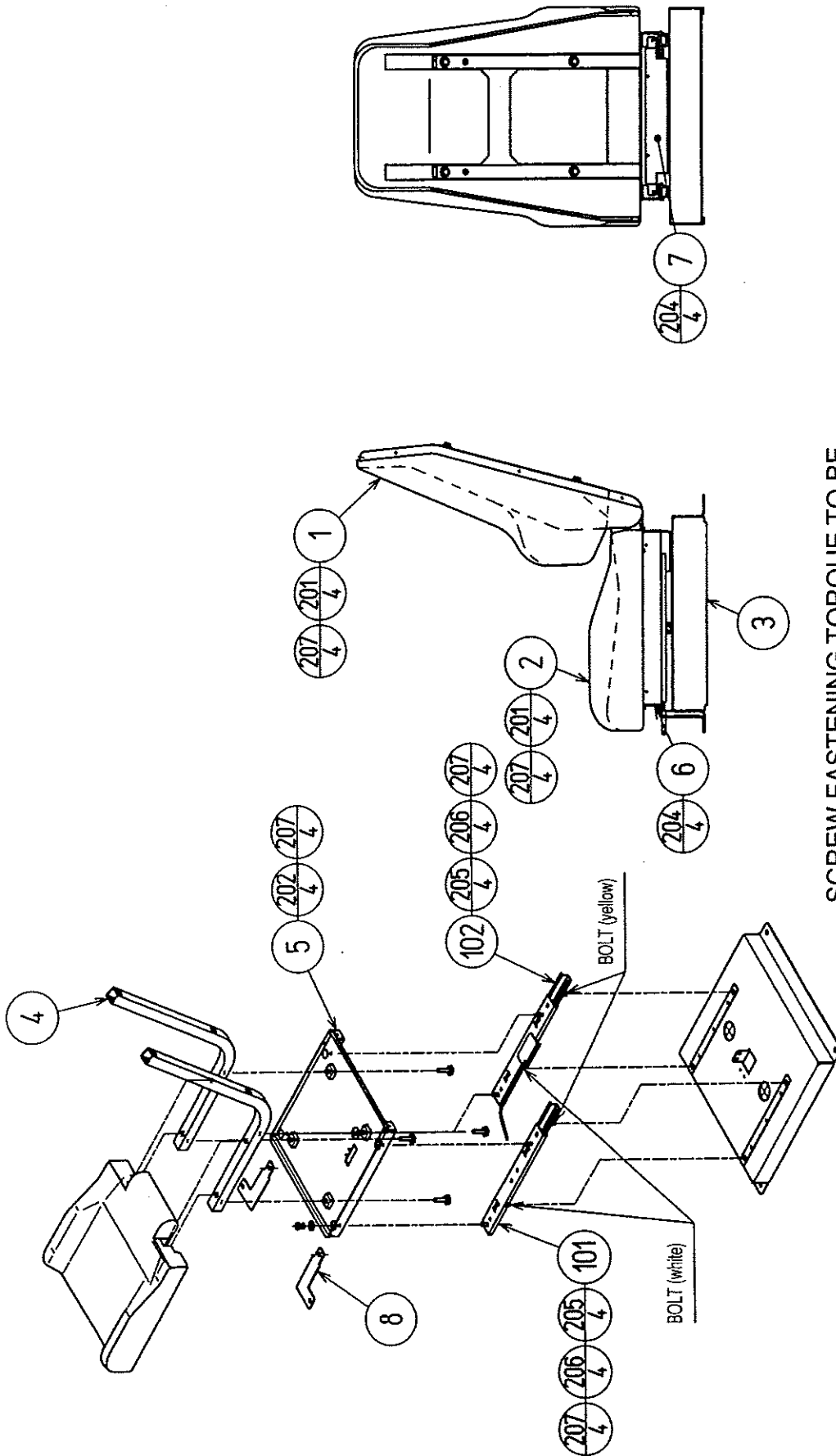
ITEM NO.	PART NO.	DESCRIPTION	NOTE
1	POD-1651	ASSY SEAT BASE	
2	POD-1652	SEAT BACK COVER 1P	
201	000-T00412-0C	M SCR TH CRM M4 × 12	
202	068-441616-0C	FLT WSHR CRM 4.4-16 × 1.6	

③① ASSY SEAT 2P (POD-1660)



SCREW FASTENING TORQUE TO BE
M4 Sonic Lock Portion: 0.9N·m

ITEM NO.	PART NO.	DESCRIPTION	NOTE
1	POD-1651	ASSY SEAT BASE	
2	POD-1661	SEAT BACK COVER 2P	
201	000-T00412-0B	M SCR TH BLK M4 × 12	
202	068-441616-0B	FLT WSHR BLK 4.4-16 × 1.6	



SCREW FASTENING TORQUE TO BE

M8 Bolt for fastening plastic: 8.2N·m

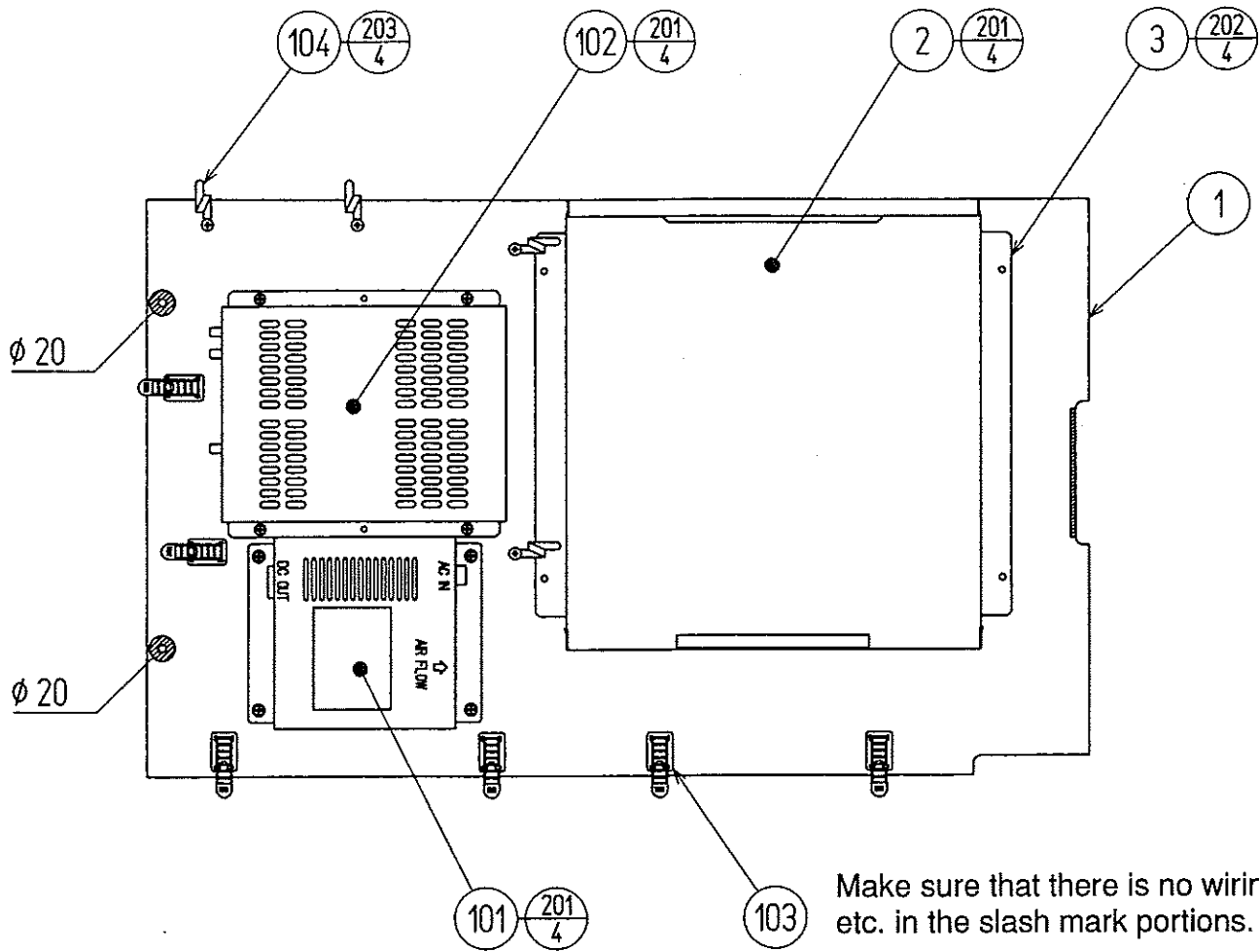
M8 Others: 19.5N·m

③2 ASSY SEAT BASE (POD-1651)

(D-2/2)

ITEM NO.	PART NO.	DESCRIPTION	NOTE
1	DYN-2131X	UPPER SEAT	
2	DYN-2132X	LOWER SEAT	
3	POD-1653	SEAT BASE	
4	JBA-1603X	SEAT FRAME	
5	POD-1601	SEAT MOUNT TRAY	
6	JBA-1605	SAFETY GUARD F	
7	JBA-1606	SAFETY GUARD R	
8	STC-1612	PROTECT RUBBER	
101	601-9059-91	SEAT RAIL L	
102	601-9060-91	SEAT RAIL R	
201	030-000845-S	HEX BLT W/S M8 × 45	
202	030-000816-S	HEX BLT W/S M8 × 16	
204	000-T00408-OB	M SCR TH BLK M4 × 8	
205	050-H00800	HEX NUT M8	
206	060-S00800	SPR WSHR M8	
207	068-852216	FLT WSHR 8.5-22 × 1.6	

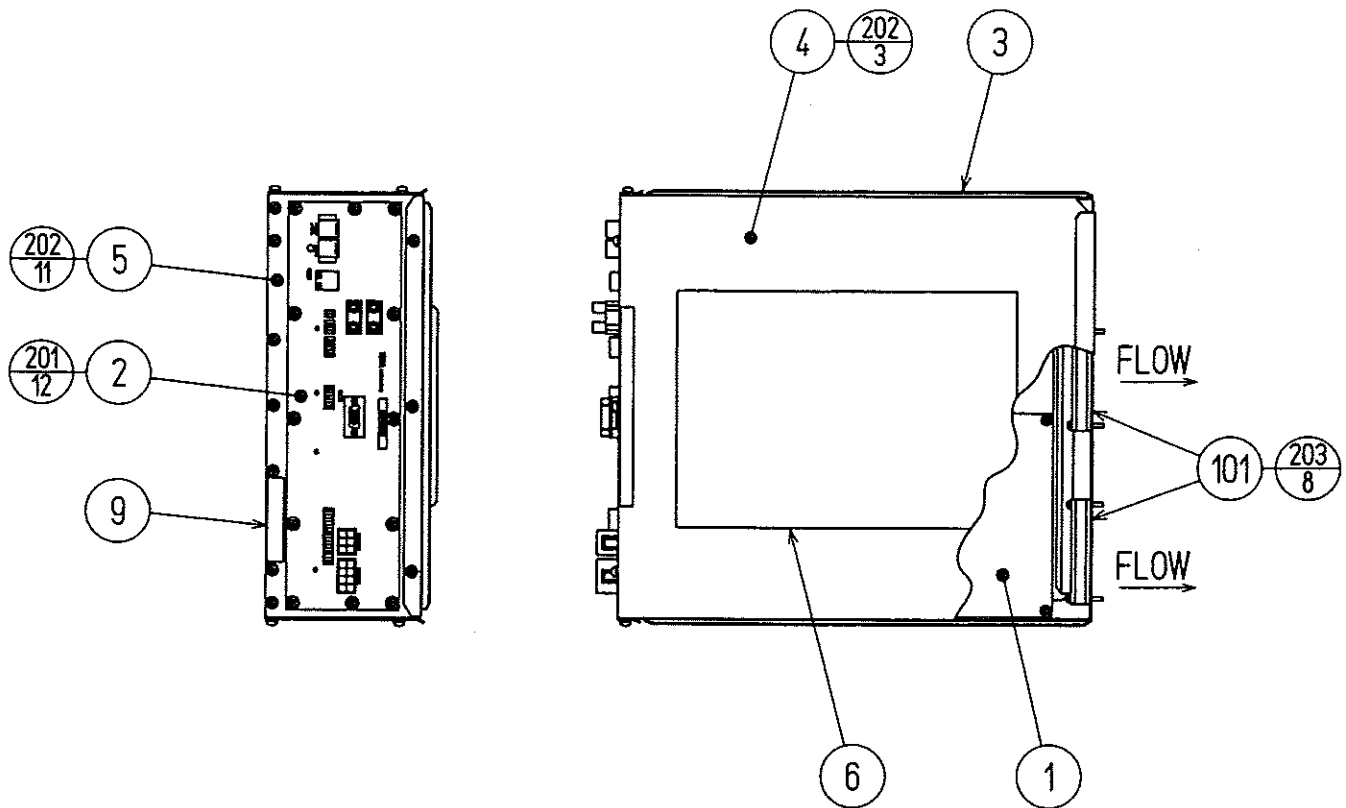
③③ ASSY MAIN BD BASE (POD-4400)



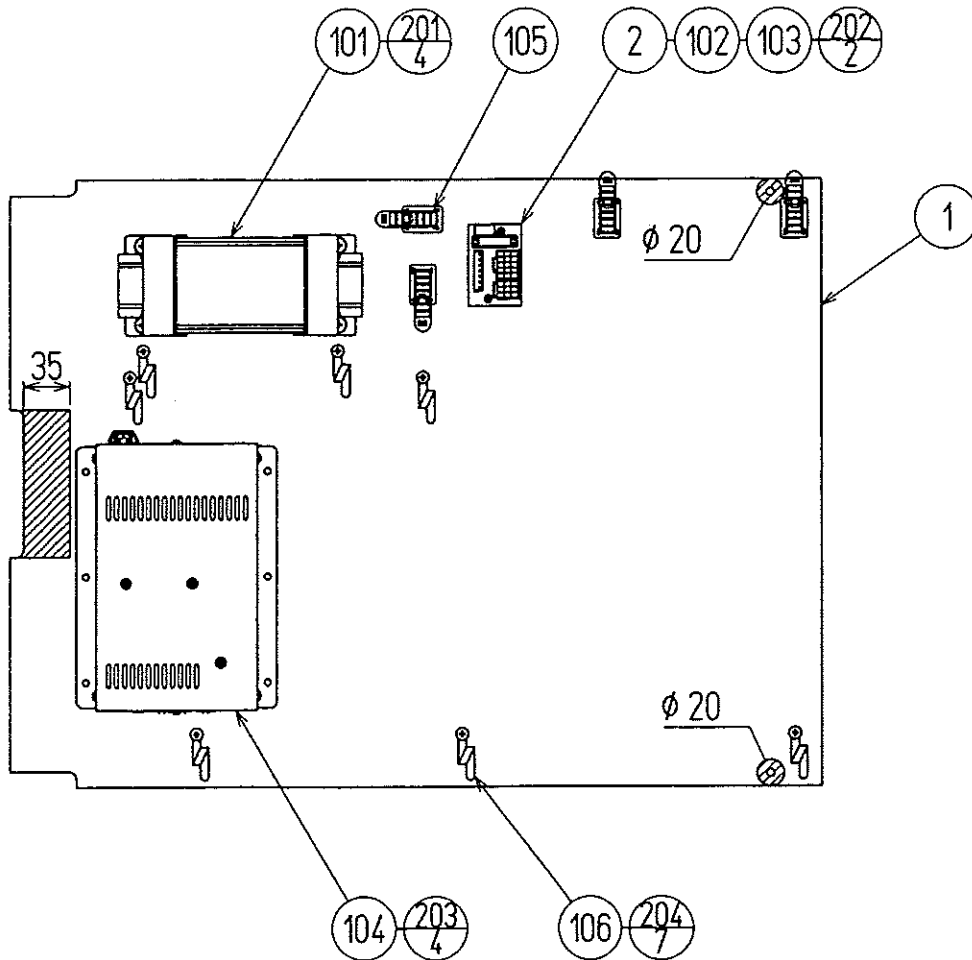
Make sure that there is no wiring, etc. in the slash mark portions.

ITEM NO.	PART NO.	DESCRIPTION	NOTE
1	POD-4401	MAIN BD BASE TWIN	
2	POD-4050	ASSY SHIELD CASE POD	
3	105-5382	SHIELD CASE BRKT	
101	400-5397-01	SW REGU FOR JVS VA	
102	601-10369	STEREO PWR AMP 47	
103	280-6600	CORD CLAMP TL-20W	
104	280-5207	HARNES LUG CC-1005	
201	000-P00416-W	M SCR PH W/FS M4 × 16	
202	000-P00408-W	M SCR PH W/FS M4 × 8	
203	011-T03512	TAP SCR TH 3.5 × 12	
301	POD-61031	WIRE HARN AC IN	
302	POD-61032	WIRE HARN DC PWR	
303	POD-61033	WIRE HARN VOL	
304	POD-61034	WIRE HARN SPEAKER OUT	
305	POD-61035	WIRE HARN AUDIO CENTER	
306	600-7158-0100	CA AUDIO RCA TO RCA 2CH 100CM	
307	600-7159-095	WIRE HARN JVS PWR 095CM	

34 ASSY SHIELD CASE POD (POD-4050)



ITEM NO.	PART NO.	DESCRIPTION	NOTE
1	833-14003	GAME BD POD	
2	839-1079-02	FLT BD SEGA HIKARU NCR	
3	105-5378	SHIELD CASE FOR SEGA HIKARU	
4	105-5379	SHIELD CASE LID FOR SEGAHIKARU	
5	105-5381	FLT BD BRKT FOR SEGA HIKARU	
6	421-9174	STICKER CAUTION ANTISTATIC	
7	421-10023-AAB	STICKER BD SERIAL NUMBER AAB	
8	421-10023-BBP	STICKER BD SERIAL NUMBER BBP	
9	441-314003	STIKER 833-14003	
10	601-10642	CARTON BOX SEGA HIKARU	
101	260-0064	FAN MOTOR DC12V	
102	280-5275-SR10	CORD CLAMP SR10	
201	010-P00310-F	S-TITE SCR PH W/F M3 × 10	
202	000-P00408-W	M SCR PH W/FS M4 × 8	
203	000-P00325-W	M SCR PH W/FS M3 × 25	
301	FRQ-60037	WIRE HARN FAN SHIELD CASE	



Make sure that there is no wiring, etc. in the slash mark portions.

③5 ASSY PWR SPLY (POD-4500)

(D-2/2)

ITEM NO.	PART NO.	DESCRIPTION	NOTE
1	POD-4501	PWR SPLY BASE	
2	421-6595-11	STICKER 7A	
101	560-5434-V	XFMR 100-120V 100V7.5A	AC 110 ~ 120V AREA
	560-5435-V	XFMR 220-240V 100V7.5A CE	AC 220 ~ 240V AREA
102	838-11856-01-UL	CONNECT BD W/FUSE & COVER UL	
103	514-5036-7000	FUSE 6.4 × 30 7000MA 125V	
104	610-0609	LOWPASS AMP 40HM 30W	
105	280-6600	CORD CLAMP TL-20W	
106	280-5207	HARNESS LUG CC-1005	
201	000-P00516-W	M SCR PH W/FS M5 × 16	
202	011-T00325	TAP SCR TH 3 × 25	
203	000-P00416-W	M SCR PH W/FS M4 × 16	
204	011-T03512	TAP SCR TH 3.5 × 12	
301	FRI-61001	WIRE HARN CONN BD IN	
302	POD-61042	WIRE HARN AC OUT A	
303	POD-61043	WIRE HARN AC OUT B	
304	POD-61044	WIRE HARN AUDIO CENTER IN	
305	POD-61045	WIRE HARN WOOFER OUT	
306	POD-61046	WIRE HARN WOOFER VOL	

③⑥ ASSY WIRE DC (POD-6006)

(D-1/2)

ASSY WIRE DC (POD-6006) is comprised of the following wire harnesses.
An ASSY DRG. is unavailable.

ITEM NO.	PART NO.	DESCRIPTION	NOTE
101	601-0460	PLASTIC TIE BELT 100 MM	
301	POD-61003	WIRE HARN VOL EXT	
302	POD-61004	WIRE HARN COIN CHUTE EXT	
303	POD-61005	WIRE HARN DC PWR EXT A	
304	POD-61009	WIRE HARN WOOFER	
305	POD-61010	WIRE HARN SPEAKER EXT	
306	600-7009-2500	ASSY RGB CA D-SUB 15P 2500MM	
307	600-7141-250	CABLE JVS TYPE A-B 250CM	

20. WIRE COLOR CODE TABLE

THE WIRE COLOR CODE is as follow:

A	PINK
B	SKY BLUE
C	BROWN
D	PURPLE
E	LIGHT GREEN

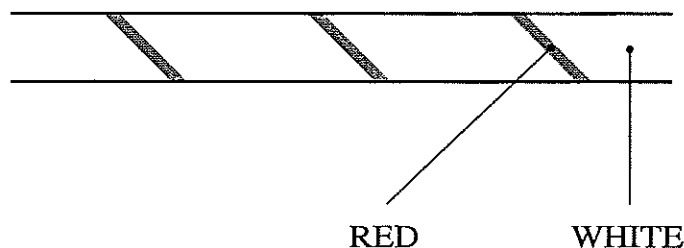
Wires other than those of any of the above 5 single colors will be displayed by 2 alphanumeric characters.

1	RED
2	BLUE
3	YELLOW
4	GREEN
5	WHITE
7	ORANGE
8	BLACK
9	GRAY

If the right-hand side numeral of the code is 0, then the wire will be of a single color shown by the left-hand side numeral (see the above).

Note 1: If the right-hand side alphanumeric is not 0, that particular wire has a spiral color code. The left-hand side character shows the base color and the right-hand side one, the spiral color.

<Example> 51 WHITE / RED



Note 2: The character following the wire color code indicates the size of the wire.

U:	AWG16
K:	AWG18
L:	AWG20
None:	AWG22