

GAME NOS. 935, 936 & 937  
JANUARY, 1981

# MIDWAY'S RALLY-X PARTS AND OPERATING MANUAL



#935-UPRIGHT



#936-COCKTAIL



#937-MINI



**MIDWAY MFG. CO.**

A BALLY COMPANY

10750 WEST GRAND AVENUE  
FRANKLIN PARK, ILLINOIS 60131  
U.S.A.

PHONE: (312) 451-1360 CABLE ADDRESS: MIDCO TELEX NO.: 72-1596

## GENERAL INSTRUCTIONS FOR RALLY-X UPRIGHT

### INSTALLATION

1. Remove shipping cleats located on bottom of cabinet.
2. Install four (4) provided leg levelers to bottom of cabinet and level cabinet.
3. The power is controlled by a switch located on top of the cabinet. Additional taps have been provided on the transformer to compensate for fluctuating line voltage.
4. Upright only - To remove protective paper coating from decal - each side of cabinet, soak paper with water to soften and carefully start "peel back" of paper with fingernail. Peel paper parallel to cabinet side. "DO NOT PULL OUT".

### LINE VOLTAGE SAFETY SWITCH

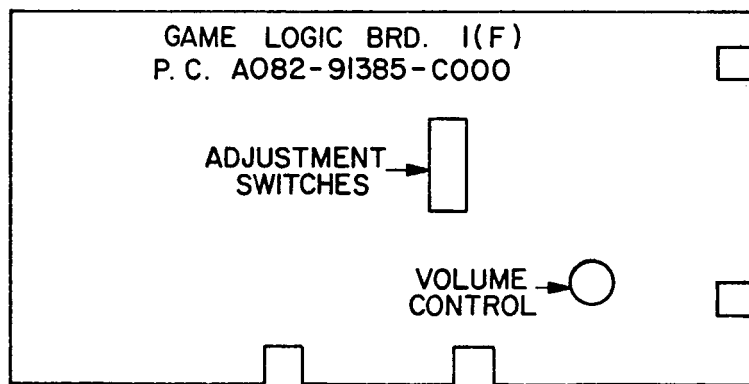
A line voltage safety switch has been provided for your protection. It is located on the right rear side of the cabinet in the back door area. When the back door is removed, it opens the circuit to the line voltage. To restore power (when servicing), pull switch fully out.

### VOLUME CONTROL

The volume control pot is located on the Game Logic Board (P.C. A082-91385-C000). This pot controls the volume of all sounds and may be varied as desired by rotating pot control.

### ADJUSTMENT SWITCHES

Located on Game Logic Board (P.C. A082-91385-C000) and may be adjusted as indicated on separate instruction card in back box area.



### TO REMOVE CONTROL PANEL AND MONITOR DISPLAY GLASS

1. Open coin door.
2. Release two (2) clamps located below Control Panel on each side of cabinet.
3. Disconnect control panel jack.
4. Remove control panel.
5. Remove monitor display glass.

### CREDIT PUSH BUTTON SWITCH

Located in cash box area and is readily accessible by opening coin door. This switch is provided as a test aid and awards one credit without advancing coin meter.

**WARNING:** This equipment Generates, Uses and can Radiate Radio Frequency Energy and if not installed and used in accordance with the Instruction Manual, may cause interference to Radio Communications. As temporarily permitted by Regulation it has not been tested for compliance to Subpart J or Part 15 of FCC Rules, which are designed to provide reasonable protection against such interference. Operation of this equipment in a Residential Area is likely to cause interference in which case the user at his own expense will be required to take whatever measures may be required to correct the interference.

M051-00935-A003

## GENERAL INSTRUCTIONS FOR RALLY-X MINI

### INSTALLATION

1. Remove shipping cleats located on bottom of cabinet.
2. Install four (4) provided leg levelers to bottom of cabinet and level cabinet.
3. The power is controlled by a switch located on the back of the cabinet. Additional taps have been provided on the transformer to compensate for fluctuating line voltage.

### LINE VOLTAGE SAFETY SWITCH

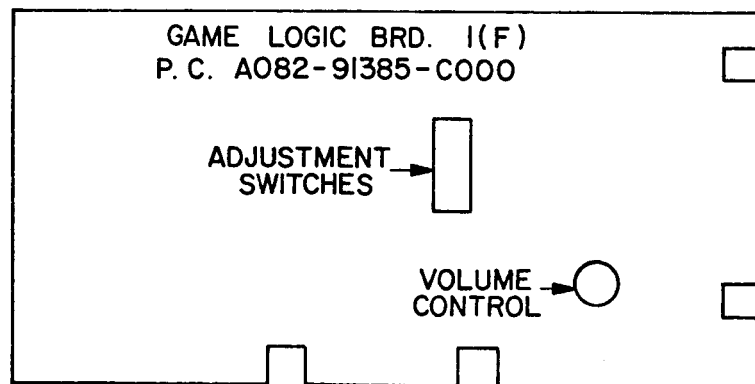
A line voltage safety switch has been provided for your protection. It is located on the right rear side of the cabinet in the back door area. When the back door is removed, it opens the circuit to the line voltage. To restore power (when servicing), pull switch fully out.

### VOLUME CONTROL

The volume control pot is located on the Game Logic Board (P.C. A082-91385-C000). This pot controls the volume of all sounds and may be varied as desired by rotating pot control.

### ADJUSTMENT SWITCHES

Located on Game Logic Board (P.C. A082-91385-C000) and may be adjusted as indicated on separate instruction card in back box area.



### TO REMOVE CONTROL PANEL AND MONITOR DISPLAY GLASS

1. Open coin door.
2. Release two (2) clamps located below Control Panel on each side of cabinet.
3. Disconnect control panel jack.
4. Remove control panel.
5. Remove monitor display glass.

### TEST SLIDE AND CREDIT PUSH BUTTON SWITCH

Located to right of cash box and is readily accessible by opening coin door. When placed in "ON" position, this switch indicates test mode. The credit push button switch is provided as a test aid and awards one credit without advancing coin meter.

## GENERAL INSTRUCTIONS FOR RALLY-X COCKTAIL TABLE

### INSTALLATION

1. Remove shipping cleats located on bottom of cabinet.
2. Install four (4) provided leg levelers to bottom of cabinet and level cabinet.
3. The power is controlled by a switch located on the bottom of the cabinet. Additional taps have been provided on the transformer to compensate for fluctuating line voltage.

### LINE VOLTAGE SAFETY SWITCH

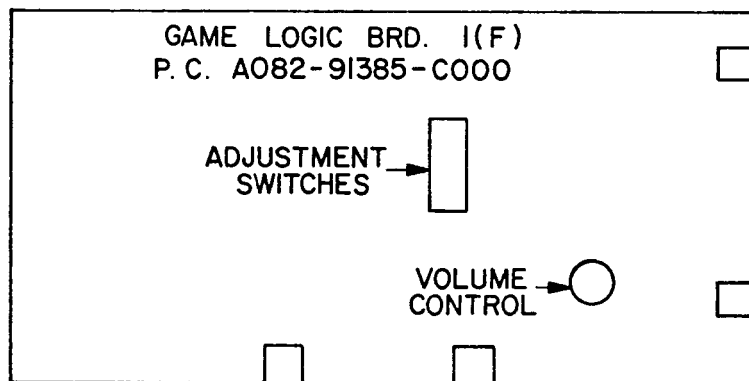
A line voltage safety switch has been provided for your protection. It is located in the cabinet on the left side of the coin door. When the coin door is opened the circuit to the line voltage is interrupted. To restore power (when servicing), pull switch fully out.

### VOLUME CONTROL

The volume control pot is located on the Game Logic Board (P.C. A082-91385-C000). The pot controls the volume of all sounds and may be varied as desired by rotating pot control.

### ADJUSTMENT SWITCHES

Located on Game Logic Board (P.C. A082-91385-C000) and may be adjusted as indicated on separate instruction card in back box area.



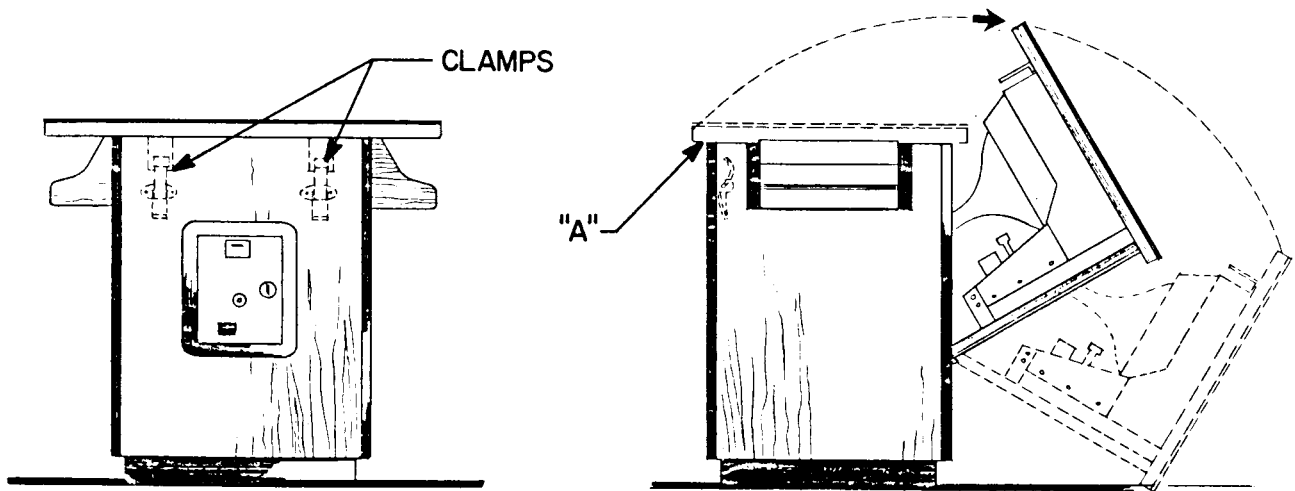
### TEST SLIDE AND CREDIT PUSH BUTTON SWITCH

Located to the right of cash box and is readily accessible by opening coin door. When placed in "ON" position, this switch indicates test mode. The credit push button switch is provided as a test aid and awards one credit without advancing coin meter.

**TO SERVICE MONITOR, GAME BOARD AND TRANSFORMER ASSY.**

1. Open coin box door and release two (2) clamps indicated on sketch below.
2. Grasp monitor mounting panel at "A" and open as indicated in sketch below.

Caution: Due to the weight of the monitor extreme care must be exercised when opening cabinet for service.



**ELECTRICAL BULLETIN:**

**FOR ALL APPARATUS COVERED BY THE CANADIAN STANDARDS ASSOCIATION (CSA) STANDARD C22.2 NO. 1, WHICH EMPLOYS A SUPPLY CORD TERMINATED WITH A POLARIZED 2-PRONG ATTACHMENT PLUG.**

**CAUTION:**

**TO PREVENT ELECTRIC SHOCK DO NOT USE THIS (POLARIZED) PLUG WITH AN EXTENSION CORD, RECEPTACLE OR OTHER OUTLET UNLESS THE BLADES CAN BE FULLY INSERTED TO PREVENT BLADE EXPOSURE.**

**ATTENTION:**

**POUR PREVENIR LES CHOCS ELECTRIQUES NE PAS UTILISER CETTE FICHE POLARISEE AVEC UN PROLONGATEUR. UNE PRISE DE COURANT OU UNE AUTRE SORTIE DE COURANT, SAUF SI LES LAMES PEUVENT ETRE INSEREES A FOND SANS EN LAISSER AUCUNE PARTIE A DECOUVERT.**

## CAUTIONARY NOTES IN SETTING UP PROCEDURE

### Care in Setting Up

1. Place machine a sufficient distance from the wall and on a strong, level surface.
2. Do not place in dusty or damp locations or where the sun's rays will beat directly on the machine. Also, in order to avoid the interior of the machine's overheating, do not place near heaters.
3. Do not place in front of emergency or fire exits or in front of locations where fire fighting equipment or extinguishers are stored.
4. Make sure the ground wire on machine is connected to the ground.
5. Check to see whether all of the connectors on the PC boards, etc. are connected.
6. Check if the electric power switch is turned "ON", and game is plugged in.

### Caution after Setting Up

Be very careful when inspecting and checking the machine because there are places in the monitor with high electrical voltage.

Control circuits are all composed of IC's for long life, but on the other hand according to the way it is set up, these can be instantly destroyed; therefore, take special care with the following points:

1. Make sure the electric power is shut off when replacing parts or when removing connectors, etc.
2. PC board repairs are to be done by the seller — do not handle in any case. Above all else, never conduct test with the tester, etc. The voltage in the tester can ruin the IC's.
3. When connecting the connectors, be careful not to reverse the direction of the connectors.  
When shipping PC boards use plastic airmats or other such protective material.  
When pulling the electric power source, always hold the plug — never pull the cord.

### Self-Test

The self-test is the same as the inspection of an automobile. If possible, it is best to do this each day. Rally-X has Self-Test capabilities and using the Test Switch most parts can be tested.

#### 1. Automatic Self-Test

When the power in Rally-X is turned on the Self-Test automatically begins. If there is no problem in the PC boards it will change automatically into the "Attract Mode", when there is a problem the Self-Test is repeated and the words "BAD RAM" or "BAD ROM" will appear on the screen. Even if the problem cannot be located, do not go on to other test switches or volume test, but carry out the Self-Test using the Test-Switch.

**Note:** When the problem has been located using the results of the Self-Test, contact the place of purchase of the machine.

#### 2. Self-Test Using the Test Switch

The slide switch on the opposite side when the selector switch is opened is the Test Switch. Turn the Test Switch "ON". The Self-Test will start (Normally this switch is OFF). The figures and words of the Test Mode will appear on the screen in 10 seconds.

## RALLY-X TEST MODE

Game is in test mode for a moment immediately after power is turned on or when test switch is on. When test switch is returned to "OFF" the game goes into attract mode.

### 1. ROM TEST

The ROM data are checked 4K bytes at a time, and then checked together over all. If there are irregularities, the screen will display, for example, "ROM 1" or the like, identifying the bad ROM by number. The test series will not proceed to the RAM test. When there are no irregularities, "ROM OK" will be displayed and the RAM test will then be performed. The character ROM is not checked.

The position of the ROMs on the PCB  
as given by the ROM test message

Test Message	Position of ROM and PCB		
ROM 1	1B or 1C	1B	1D
ROM 2	1D or 1E	1D	
ROM 3	1H or 1J	1H	1K
ROM 4	1K or 1L	1K	
	MB8516 (EPROM)	UPD2332 TMM333	UPD2364

### 2. RAM TEST

Each of the 12 ICCs numbered 2114 are checked and when any irregularity is found a message (e.g. RAM 1L) is displayed and the test series stops. If there are no irregularities tests of game sounds and switches can begin.

The RAM test is performed only on ICCs numbered 2114

Position of RAMs on PCB  
as given by test message

Test Message	Position of RAM on PCB
RAM 1L	6C
RAM 1H	6A
RAM 2L	6D
RAM 2H	6B
RAM 3L	6K
RAM 3H	6J
RAM 4L	6L
RAM 4H	6H
RAM 5L	6M
RAM 5H	6F
RAM 6L	6N
RAM 6H	6E

### 3. SWITCH & SOUND TEST

The following sounds are made when switches are depressed:

SWITCH	SOUND
Coin sw 1, 2	sound made when coin is deposited
service sw	service sound
1 player start	start music
2 players start	music played before challenging stage
plyr 1 cntrl sw up	fuel warning
plyr 1 cntrl sw down	sound made when fuel added to score
plyr 1 cntrl sw right	sound made when special check pt cleared
plyr 1 cntrl sw left	sound made when check pt cleared
plyr 1 cntrl sw smoke scrn	sound made when bonus car received
*plyr 2 cntrl sw up	sound made when one full pattern is cleared
*plyr 2 cntrl sw down	BGM
*plyr 2 cntrl sw right	crash noise
*plyr 2 cntrl sw left	high score noise
*plyr 2 cntrl sw smoke scrn	sound of car running

\*Applies only to table model

If player one and player two's smoke screen buttons are depressed at the same time, the display flip-flops and the smoke screen sound is made.

If the test switch is pressed to off and back to on within one second while the smoke screen buttons are depressed, a cross-hatch pattern will appear. In the table model one edge and in the upright model two edges of the pattern will not appear.

*JK BAR CAN CAUSE LOSS of all color or all video.*



## SWITCH ADJUSTMENTS

METHOD OF PLAY (RALLY-X)		
SW. #1	SW. #2	
OFF	OFF	1 COIN, 1 CREDIT
OFF	ON	1 COIN, 2 CREDIT
ON	OFF	2 COINS, 1 CREDIT
ON	ON	FREE PLAY
DIFFICULTY & NUMBER OF CARS PER CREDIT		
SW. #3	SW. #4	SW. #5
ON	ON	ON LOW DIFF, 2 CARS
ON	ON	OFF LOW DIFF, 3 CARS
ON	OFF	ON MID DIFF, 1 CARS
ON	OFF	OFF MID DIFF, 2 CARS
OFF	ON	ON MID DIFF, 3 CARS
OFF	ON	OFF HIGH DIFF, 1 CARS
OFF	OFF	ON HIGH DIFF, 2 CARS
OFF	OFF	OFF HIGH DIFF, 3 CARS
BONUS CARS		
SW. #6	SW. #7	
ON	OFF	1 CAR GAME 10,000 PTS. 2 CAR GAME 15,000 PTS. 3 CAR GAME 20,000 PTS.
OFF	ON	1 CAR GAME 20,000 PTS. 2 CAR GAME 30,000 PTS. 3 CAR GAME 40,000 PTS.
OFF	OFF	1 CAR GAME 30,000 PTS. 2 CAR GAME 40,000 PTS. 3 CAR GAME 60,000 PTS.
SW. #8		
OFF	PLAY MODE	
ON	LOCKS PICTURE	

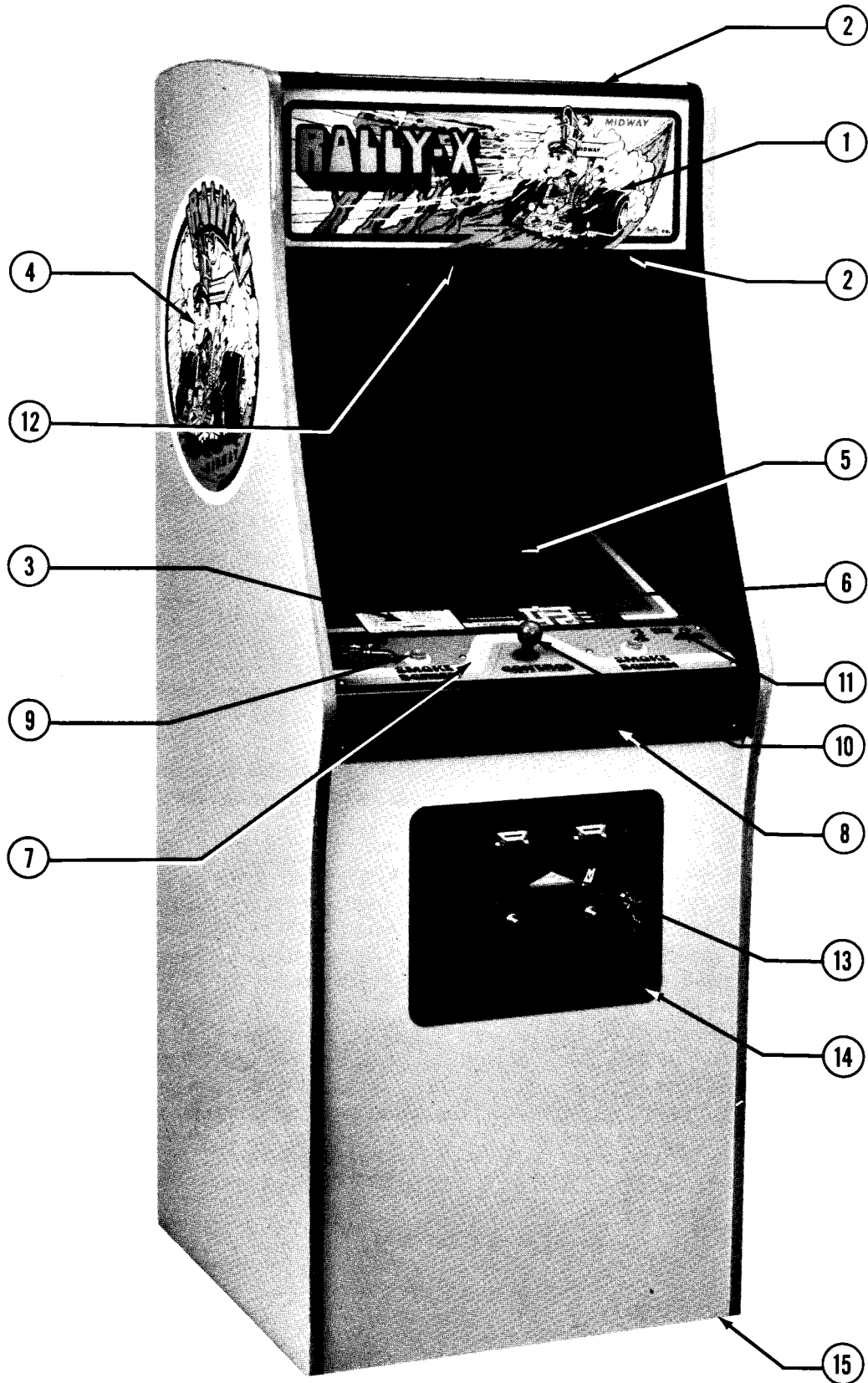
M051-00935-A014

## PLAYING INSTRUCTIONS

- 1 or 2 persons can play.
- By moving the control level, “My Car” (blue) can be moved up, down, right and left.
- Avoiding barriers, use a smoke screen on the pursuing red cars.
- With the help of the radar screen touch the check points, clear and continue on. There are 10 check points per round, one of which is the Special Check Point.
- Check Point points

When cleared	Points
1st	100
2nd	200
3rd	300
4th	400
5th	500
6th	600
7th	700
8th	800
9th	900
10th	1000
- When an accident occurs (hitting a barrier or red car) you must start over from the first 100 points.
- When the Special Check Point is cleared, the points accumulated up to that time are doubled (the screen shows X2). Of course when an accident occurs, this score is wiped out.
- Fuel.....“My Car” starts off with a full tank (60 L.). When all check points are cleared, an additional 100 pts. is awarded for each 1 liter of fuel remaining. And, when a smoke screen is produced, the fuel decreases by 3 liters. When the fuel remaining reaches the 10 L. level, the fuel indicator turns red and a warning is sounded. When the gas is all used, the car’s speed will gradually decrease and come to a stop.
- Challenging Stage - Rounds 3, 7, 11, 15....are “Challenging”, here 8 red cars appear but cannot run until the fuel in “My Car” is used up. Because “My Car” runs at full speed, it’s fuel is soon gone. Clear all check points before the blocking red cars can move. When this stage ends, starting with the next round the scene changes to city streets.

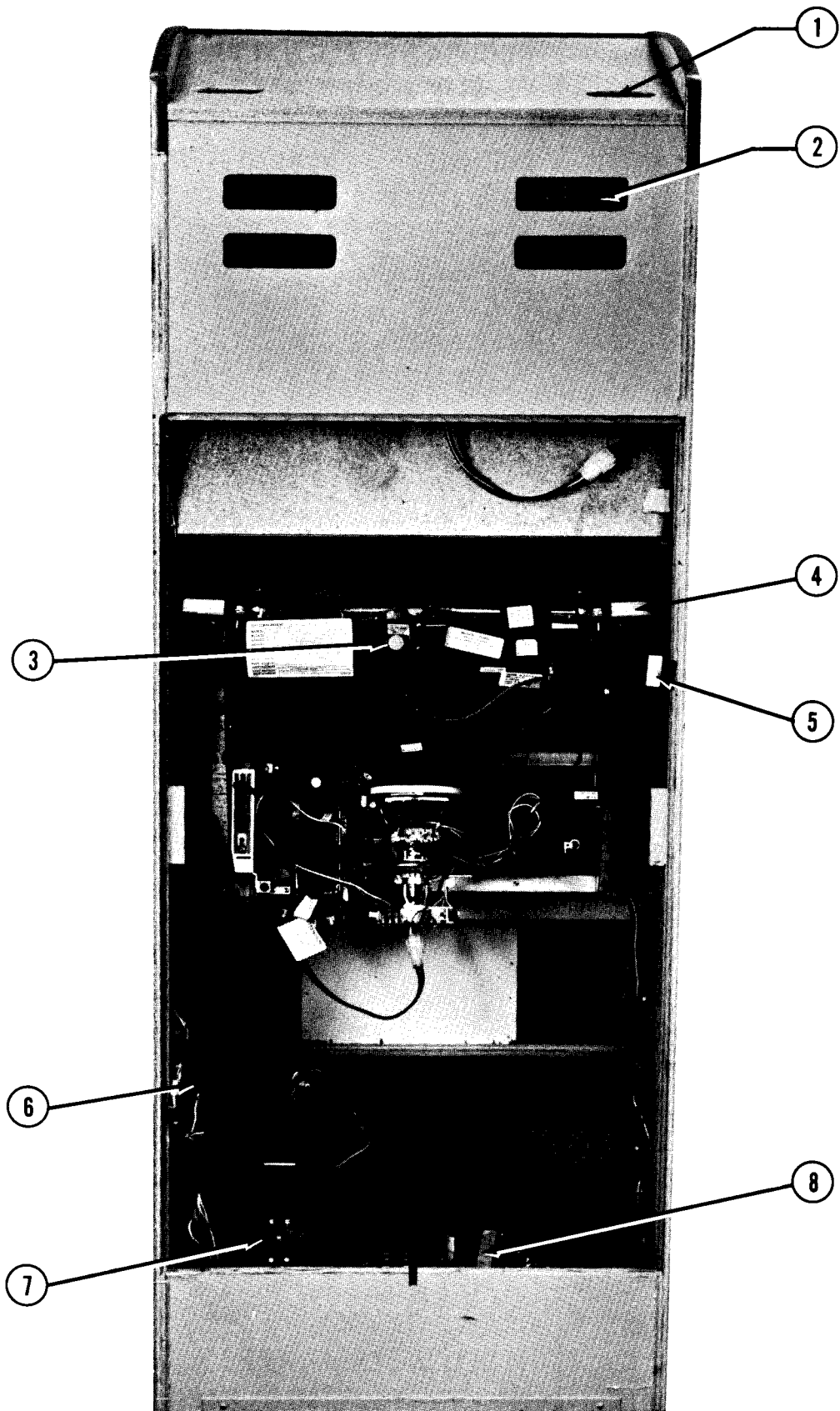
NO. 935 — RALLY-X UPRIGHT — PHOTOGRAPH



NO. 935 — RALLY-X UPRIGHT — PHOTOGRAPH  
**ORDER BY PART NUMBER ONLY**

ITEM	PART N <sup>o</sup>	DESCRIPTION
1	0935-00902-0000	DECORATIVE PLEXI - UPPER 23'' x 9-1/16'' x 3/16''
2	0866-00103-00XF	PLEXI RETAINING BRKT. (2 REQ'D.)
	0017-00101-0066	#10 x 5/8 PHIL. HD. SCR. (6 REQ'D.)
3	0935-00901-00XF	MAIN DISPLAY GLASS-TEMPERED 23'' x 21-1/8'' x 3/16''
4	0935-00905-0000	DECAL - SIDE OF CABINET (2 REQ'D)
5	0017-00003-0339	19'' DUAL SYNC COLOR MONITOR - ELECTROHOME
6	A866-00064-0000	T.V. BEZEL & PLEXI ASSY.
7	0935-00900-0000	CONTROL SHELF OVERLAY
8	0935-00100-00XF	CONTROL PLATE
	0017-00101-0118	#8-32 x 1-1/8 CARRIAGE BOLT (6 REQ'D.)
	0017-00104-0022	#8 WASHER (6 REQ'D.)
	0017-00103-0061	#8-32 HEX NUT W/SEMS (6 REQ'D.)
	0017-00101-0065	#6 x 1/2 PHIL. TRS. HD. SCR. (2 REQ'D.)
9	A855-00016-0000	PUSH BUTTON ASSY. (2 REQ'D.)
10	A932-00008-0000	CONTROL ASSY.
11	0017-00032-0051	SMALL RED SWITCH BUTTON W/HARDWARE (2 REQ'D.)
12	0017-00003-0187	6'' x 9'' SPEAKER, 8 OHM, 9W.
	0017-00009-0393	BLACK SPEAKER GRILL W/4, 1-1/2'' SCREWS
13	0151-00055-0100	DOUBLE ENTRY COIN DOOR ASSY.
14	0090-00002-02BK	COIN DOOR FRAME
	0017-00101-0121	#6-32 x 5/16 PHIL. TRS. HD. SCR. (3 REQ'D.) (MOUNTS COIN DOOR TO FRAME)
15	0017-00102-0048	3/8-16 x 2'' LEG LEVELERS (4 REQ'D.)
	0017-00103-0026	3/8-16 LEG LEVELER HEX NUTS (4 REQ'D.)
		<b>NOT SHOWN LIST</b>
	A866-00068-0000	DISPLAY LAMP BRKT. ASSY. (BEHIND ITEM #1)
	0017-00003-0135	LAMP SOCKET (2 REQ'D.)
	0017-00003-0309	LAMP 12V., 25W. (2 REQ'D.)
	0017-00101-0626	#8-32 x 3/4 SLT. PAN HD. M.S. (4 REQ'D.)
	0017-00103-0061	#8-32 HEX NUT W/SEMS (4 REQ'D.)
	0017-00101-0025	#8 x 1/2 SLT. HEX HD. BLK. WD. SCR. (4 REQ'D.)
	0017-00009-0033	BASSICK CLAMP (2 REQ'D.)
	0603-00131-0000	STRIKE (2 REQ'D.)
	0017-00101-0028	#8 x 3/4 SLT. HEX. HD SCR. (4 REQ'D. CLAMP, 4 REQ'D. STRIKE)
	0935-00906-0100	KICK PLATE (BASE OF CABINET)
	0935-00907-0000	DECAL - (CABINET FRONT)

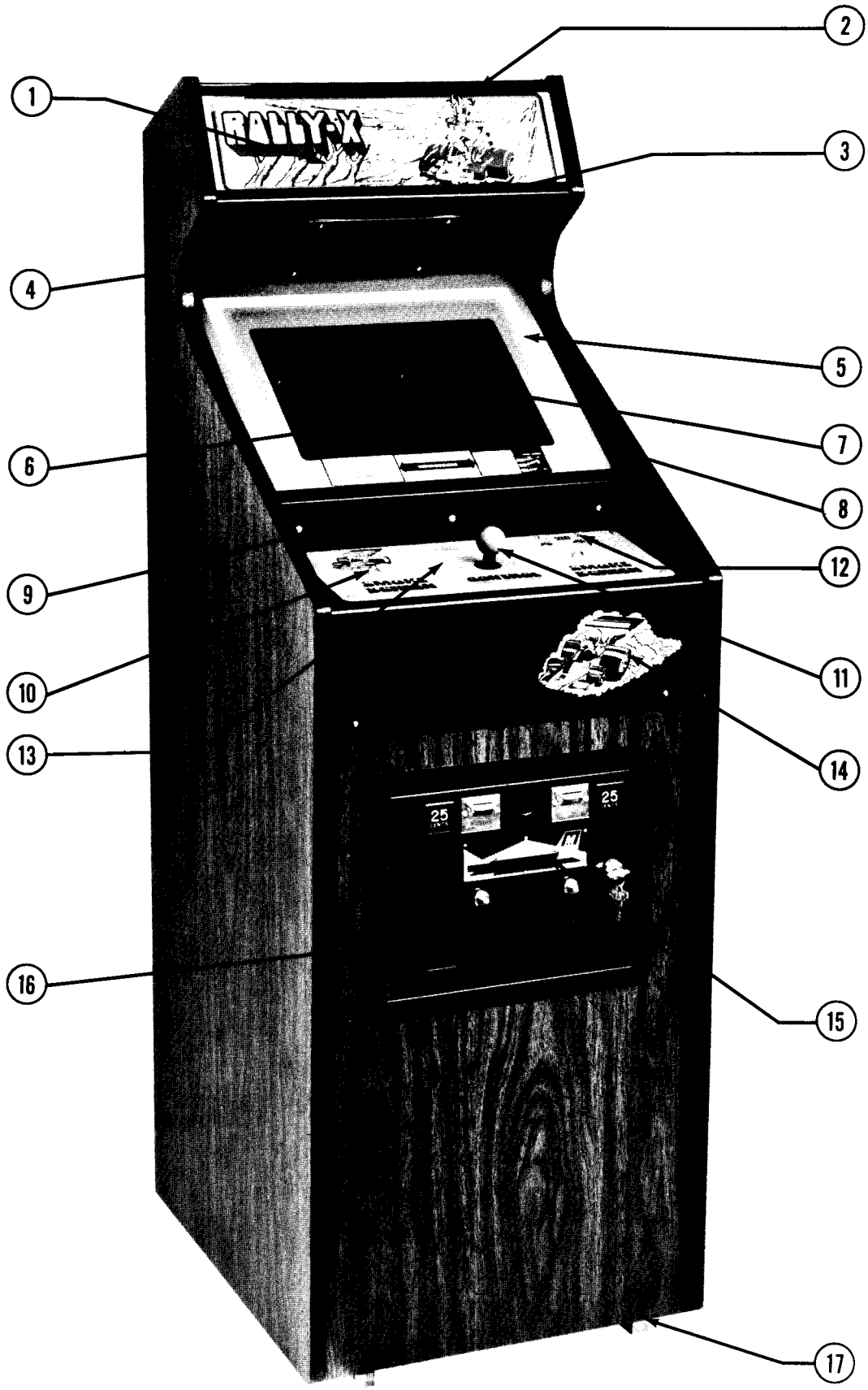
NO. 935 — RALLY-X UPRIGHT — INTERIOR ACCESS PICTURE



*ORDER BY PART NUMBER ONLY*

ITEM	PART NO	DESCRIPTION
1	0586-00036-0000 0567-00106-0100 0017-00101-0028	ON/OFF SWITCH SWITCH MTG. BRKT. #8 x 3/4 SLT. HEX HD. WD. SCR. (4 REQ'D.)
2	0017-00009-0490	5-5/8" SQ. VENT GRILL (2 REQ'D.)
3	A935-00006-0000	ELECTROHOME - 19" COLOR MONITOR W/CHASSIS, DUAL SYNC HORIZONTAL TUBE (OR)
3	0017-00003-0354	WELLS-GARDNER - 19" COLOR MONITOR W/CHASSIS, DUAL SYNC HORIZONTAL TUBE
4	0935-00101-0000 0017-00102-0066	MONITOR MTG. BRKT. (2 REQ'D.) 1/4-20 x 1-1/4 UNSLOTTED FIN. HEX HD. BOLT (4 REQ'D.)
5	0017-00104-0005	SPLIT WASHER (4 REQ'D.)
5	0017-00032-0071	INTERLOCK SWITCH
6	A866-00035-00XF	INTERLOCK SWITCH BRKT. ASSY.
6	A084-90414-C935	POWER SUPPLY ASSEMBLY
6	0624-00902-0100	P.C. SUPPORT BRKT. - 12" (2 REQ'D.)
6	0624-00902-0200	P.C. SUPPORT BRKT. - 6-1/2" (2 REQ'D.)
6	0017-00101-0027	#8 x 3/4 SLT. HEX HD. SCREW (10 REQ'D.)
6	0017-00104-0037	#8 FLAT WASHER (10 REQ'D.)
7	A935-00008-0000	CARD RACK ASSEMBLY
8	A935-00007-0000	TRANSFORMER BOARD ASSEMBLY
		<u>ADDITIONAL PARTS LIST</u>
	0017-00009-0477	CASH BOX - MOLDED
	A905-00026-0000	CASH BOX COVER ASSY.
	A624-00001-0000	CASH BOX GUIDE BRKT. ASSY.
	0624-00101-0000	CASH BOX SIDE CHANNEL
	0017-00101-0628	#8-32 x 3/4 CARRIAGE BOLT (4 REQ'D.)
	0017-00104-0022	#8 WASHER (4 REQ'D.)
	0017-00103-0061	#8-32 HEX NUT W/SEMS (4 REQ'D.)
	A151-00029-0000	LOCK ASSY. - BACK DOOR
	0017-00004-0022	304 DYMAX STRAP
	A866-00036-0000	TEST SWITCH & BRKT. ASSY.
	0866-00126-0000	MONITOR BRKT. (4 REQ'D.)

**NO. 937 — RALLY-X MINI — PHOTOGRAPH**

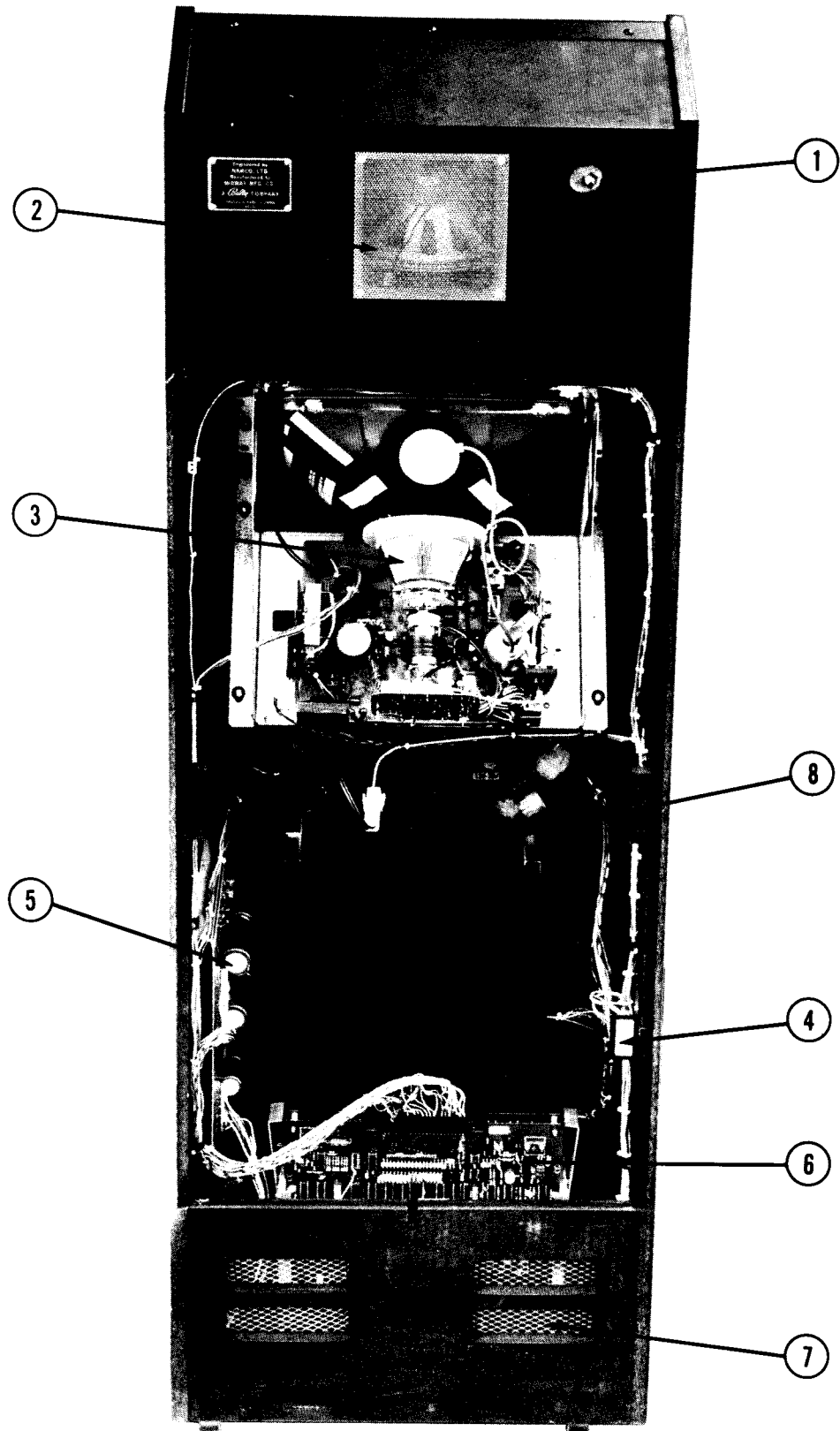


**ORDER BY PART NUMBER ONLY**

ITEM	PART N <sup>o</sup>	DESCRIPTION
1	0937-00901-00XF A905-00014-0000 0017-00003-0219 0017-00031-0030	UPPER DISPLAY PLEXI - 17-15/16" x 5-3/4" x 3/16" INSERT ASSEMBLY #194 WEDGE BASE LAMP 14V., 27A (5 REQ'D.) LIGHT SOCKET (5 REQ'D.)
2	0905-00115-00XF	TOP BRKT.
3	0905-00116-00XF 0017-00101-0117	BOTTOM BRKT. #8 x 5/8 PHIL. TRS. HD. SCR. (3 REQ'D. TOP, 3 REQ'D. BOTTOM)
4	0017-00009-0393 A762-00028-0000 0017-00101-0642 0017-00103-0061 0017-00104-0022	BLACK SPEAKER GRILL W/4 - 1-1/2" SCREWS 6" x 9" SPEAKER ASSY. W/CABLE, 8 OHM, 7W. #8-32 x 1-1/2" CARRIAGE BOLT (4 REQ'D.) #8-32 HEX NUT W/SEMS (4 REQ'D.) #8 FLAT STL. WASHER (4 REQ'D.)
5	A937-00005-0000	MAIN GLASS ASSY. - 17-13/16" x 13-1/8" x 3/16"
6	0017-00003-0340	13" COLOR MONITOR DUAL SYNC HORIZONTAL MTG. - ELECTROHOME
7	A937-00006-0000	T.V. BEZEL ASSY.
8	0905-00903-0100	GLASS CHANNEL - 14-1/2" LG. (2 REQ'D.)
9	0905-00102-00XF 0017-00101-0639 0017-00104-0037 0017-00103-0009	GLASS CLAMPING PLATE #8-32 x 1-1/4 CARRIAGE BOLT (3 REQ'D.) #8 WASHER (3 REQ'D.) #8-32 WING NUT (3 REQ'D.)
10	A855-00016-0000	PUSH BUTTON ASSY. (2 REQ'D.)
11	A932-00008-0000	CONTROL ASSEMBLY
12	0017-00032-0051	SMALL RED SWITCH BUTTON W/HARDWARE (2 REQ'D.)
13	0937-00902-0000	DECORATIVE CONTROL SHELF OVERLAY
14	0937-00100-00XF 0017-00101-0118 0017-00104-0022 0017-00103-0061 0017-00101-0065	CONTROL PLATE #8-32 x 1-1/8 CARRIAGE BOLT (6 REQ'D.) #8 WASHER (6 REQ'D.) #8-32 HEX NUT W/SEMS (6 REQ'D.) #6 x 1/2 PHIL. TRS. HD. SCR. (2 REQ'D.)
15	0151-00055-0100	DOUBLE ENTRY COIN DOOR ASSY.
16	0090-00002-02BK 0017-00101-0121	COIN DOOR FRAME #6-32 x 5/16 PHIL. TRS. HD. SCR. (3 REQ'D.) (MOUNTS COIN DOOR TO FRAME)
17	0017-00102-0048 0017-00103-0026	3/8-16 x 2" LEG LEVELERS (4 REQ'D.) 3/8-16 LEG LEVELER HEX NUTS (4 REQ'D.)



NO. 937 — RALLY-X MINI — INTERIOR ACCESS PICTURE

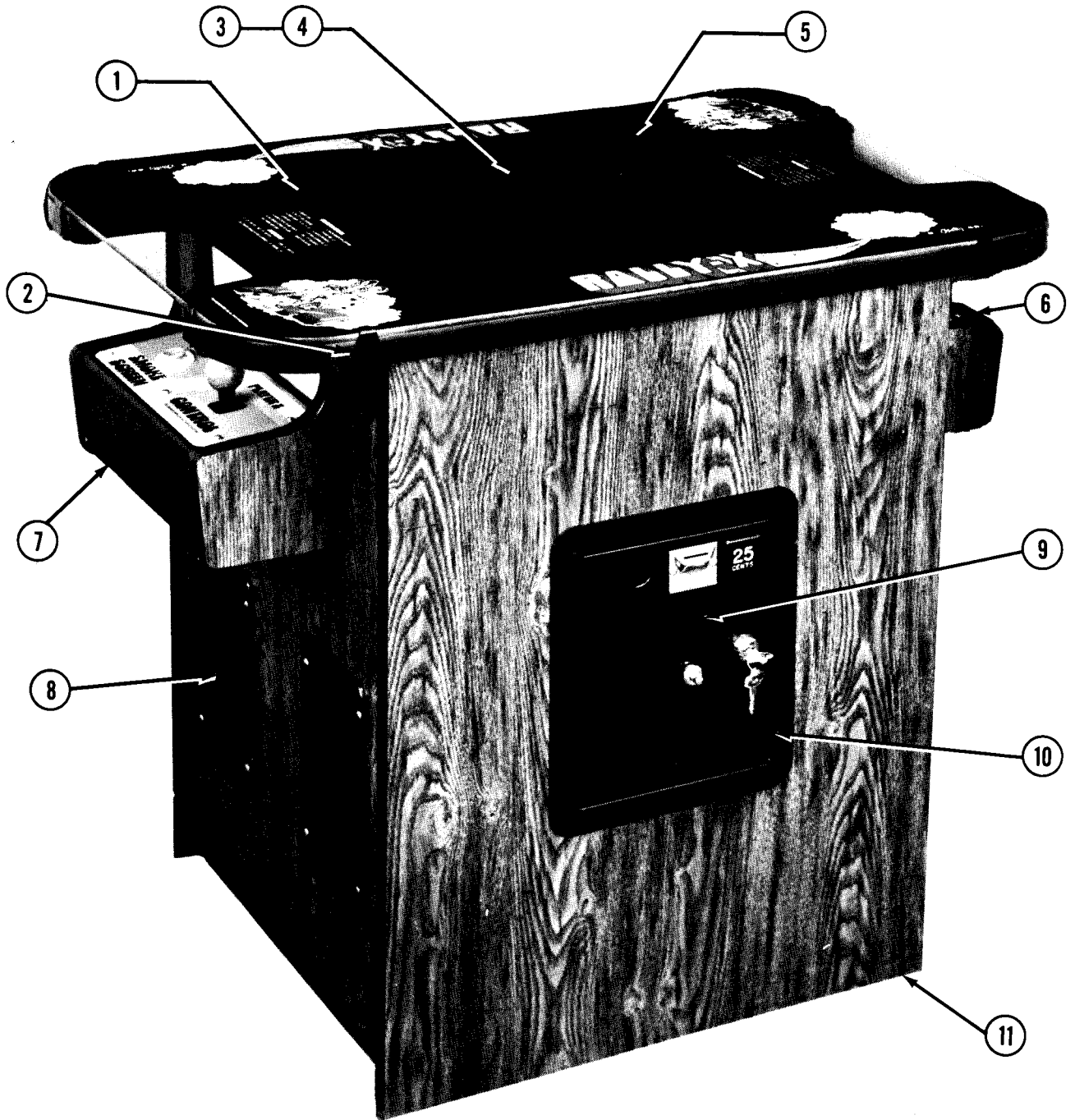


NO. 937 — RALLY-X MINI — INTERIOR ACCESS PICTURE

*ORDER BY PART NUMBER ONLY*

ITEM	PART N <sup>o</sup>	DESCRIPTION
1	0017-00032-0083	ON/OFF SWITCH
	0567-00106-0100	ON/OFF SWITCH PLATE
2	A762-00028-0000	6'' x 9'' SPEAKER ASSY. W/CABLE, 8 OHM, 7W.
	0618-00117-00XF	VENT GRILL
	0017-00101-0015	#6 x 1/2 SLT. HEX HD. SCR. (4 REQ'D.)
3	0017-00003-0340	13'' COLOR DUAL SYNC HORIZONTAL
		MONITOR & CHASSIS - ELECTROHOME
	0017-00102-0013	1/4-20 x 1-1/4 CARRIAGE BOLT (4 REQ'D.)
	0017-00104-0014	PERIPHERY WASHER (4 REQ'D.)
	0017-00103-0018	1/4-20 HEX NUT (4 REQ'D.)
4	0017-00032-0071	INTERLOCK SWITCH
	A866-00035-00XF	INTERLOCK SW. BRKT. ASSY.
5	A084-90414-C935	POWER SUPPLY ASSEMBLY
	0624-00902-0100	P.C. SUPPORT BRKT. - 12'' (2 REQ'D.)
	0624-00902-0200	P.C. SUPPORT BRKT. - 6-1/2 (2 REQ'D.)
	0017-00101-0027	#8 x 3/4 SLT. HEX HD. SCREW (10 REQ'D.)
	0017-00104-0037	#8 FLAT WASHER (10 REQ'D.)
6	A935-00008-0000	CARD RACK ASSY.
	A935-00011-0000	TRANSFORMER BOARD ASSY. - NOT SHOWN
7	0017-00009-0490	LOCATED BEHIND CARD RACK ASSY.
8	A905-00028-0000	5-5/8'' SQ. VENT GRILL (2 REQ'D.)
	A905-00026-0000	CASH BOX ASSY. W/HANDLE
	A624-00001-0000	CASH BOX COVER ASSY.
	0624-00101-0000	CASH BOX GUIDE BRKT. ASSY.
	0017-00101-0628	CASH BOX GUIDE BRKT.
	0017-00104-0022	#8-32 x 3/4 CARRIAGE BOLT (4 REQ'D.)
	0017-00103-0061	#8 WASHER (4 REQ'D.)
		#8-32 LOCK NUT W/SEMS (4 REQ'D.)
		<u>ADDITIONAL PARTS</u>
	A151-00029-0000	LOCK ASSY. - BACK DOOR
	0017-00004-0022	304 DYMAX STRAP
	0017-00009-0033	LATCH CLAMP (2 REQ'D.)
	0603-00131-00XF	STRIKE
	0017-00101-0028	#8 x 3/4 SLT. HEX HD. SCR.
		(4 REQ'D. CLAMP, 4 REQ'D. STRIKE)
	0597-00124-00B0	BACK DOOR CUP
	0017-00101-0129	#10-32 x 1'' CARRIAGE BOLT (3 REQ'D.)
	0017-00103-0081	#10-32 HEX NUT W/SEMS (3 REQ'D.)
	A866-00036-0000	TEST SWITCH & BRKT. ASSY.

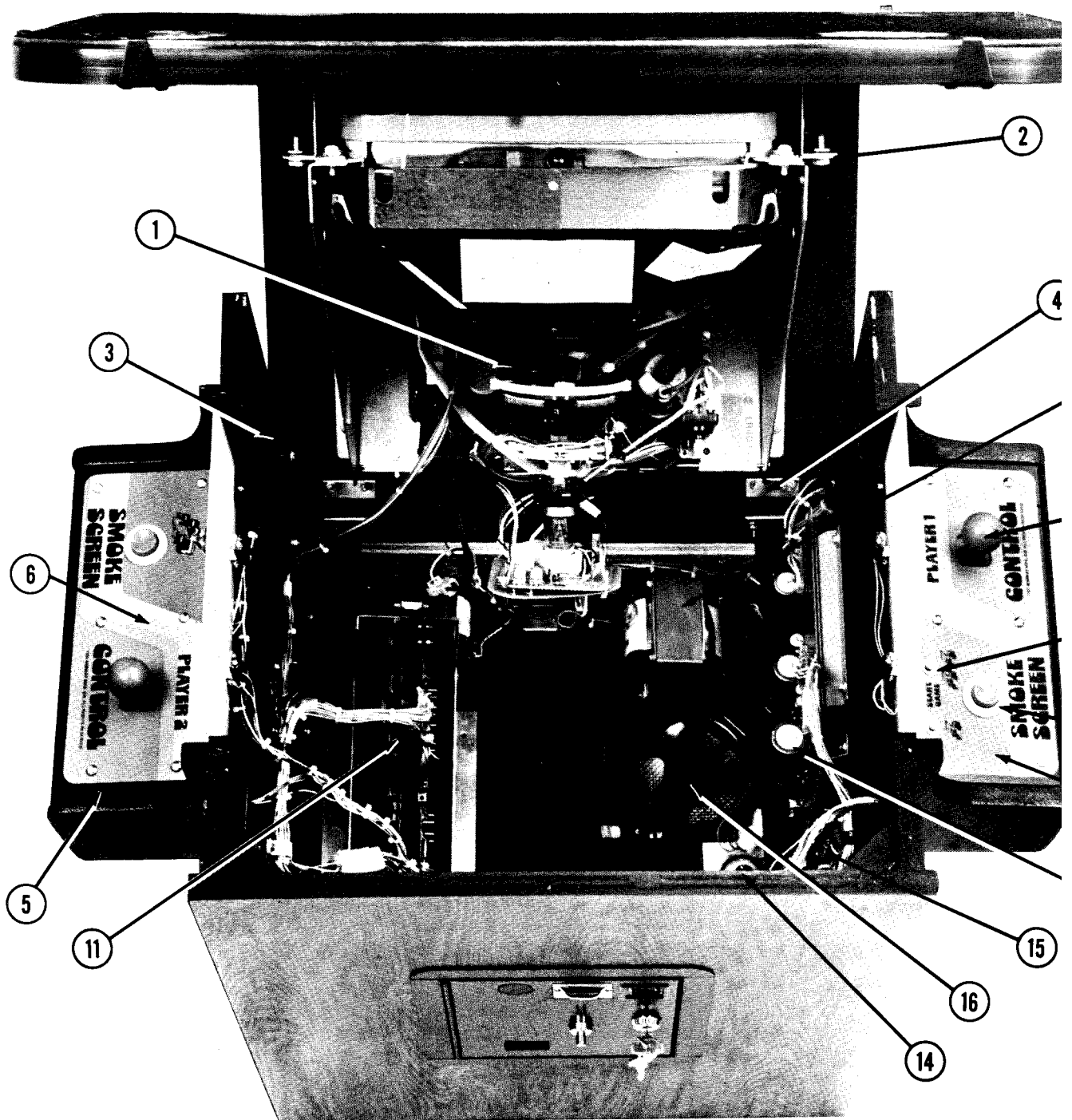
NO. 936 — RALLY-X COCKTAIL — PHOTOGRAPH



NO. 936 — RALLY-X COCKTAIL — PHOTOGRAPH  
**ORDER BY PART NUMBER ONLY**

ITEM	PART NO	DESCRIPTION
1	0936-00902-0000	COVER GLASS - 32'' x 22'' x 1/4''
2	0775-00104-00XF	GLASS CLIPS (8 REQ'D.)
	0017-00101-0117	#8 x 5/8 PHIL. TRS. HD. SCR. (16 REQ'D.)
3	0017-00003-0334	19'' DUAL SYNC COLOR MONITOR - ELECTROHOME
4	0936-00903-0000	PLEXI - GLASS
5	0921-00901-0000	T.V. BEZEL
6	A936-00004-0000	CONTROL SHELF ASSY. - PLAYER #1
7	A936-00005-0000	CONTROL SHELF ASSY. - PLAYER #2
8	0017-00009-0393	BLACK SPEAKER GRILL (4 REQ'D.)
	0017-00101-0639	#8-32 x 1-1/2 CARRIAGE BOLT (16 REQ'D.)
	0017-00103-0061	#8-32 HEX NUT W/SEMS (16 REQ'D.)
9	0151-00055-0200	SINGLE ENTRY COIN DOOR ASSY.
10	0090-00002-01BK	COIN DOOR FRAME
	0017-00101-0121	#6-32 x 5/16 PHIL. TRS. HD. SCR. (3 REQ'D.)
11	0017-00102-0048	3/8-16 x 2'' LEG LEVELERS (4 REQ'D.)
	0017-00103-0026	3/8-16 LEG LEVELER HEX NUTS (4 REQ'D.)
	G927-00005-0000	COCKTAIL TABLE - HIGH BASE - LEG KIT INCLUDING WHIZ BOLTS, WASHERS & LEGS (4 REQ'D.) (OPTIONAL)
		<b><u>NOT SHOWN LIST</u></b>
	0610-00132-0000	STRIKE (2 REQ'D.)
	0017-00101-0028	#8 x 3/4 HEX HD. S.M.S. (4 REQ'D.)
	0017-00009-0033	BASSICK CLAMP (4 REQ'D.)
	0017-00101-0026	#8 x 5/8 HEX HD. S.M.S. (4 REQ'D.)
	A749-00003-0000	COIN BOX ASSY.
	A627-00056-0000	COIN BOX COVER ASSY.
	A625-00024-0000	COIN BOX GUIDE BRKT. ASSY.
	0625-00117-0000	COIN BOX SIDE CHANNEL
	0017-00101-0628	#8-32 x 3/4 CARRIAGE BOLT (4 REQ'D.)
	0017-00103-0008	#8-32 HEX NUT (4 REQ'D.)
	0017-00004-0022	304 DYMAX STRAP
	A749-00005-0000	INTERLOCK SWITCH ASSY.
	A866-00036-0000	TEST SW. & BRKT. ASSY.

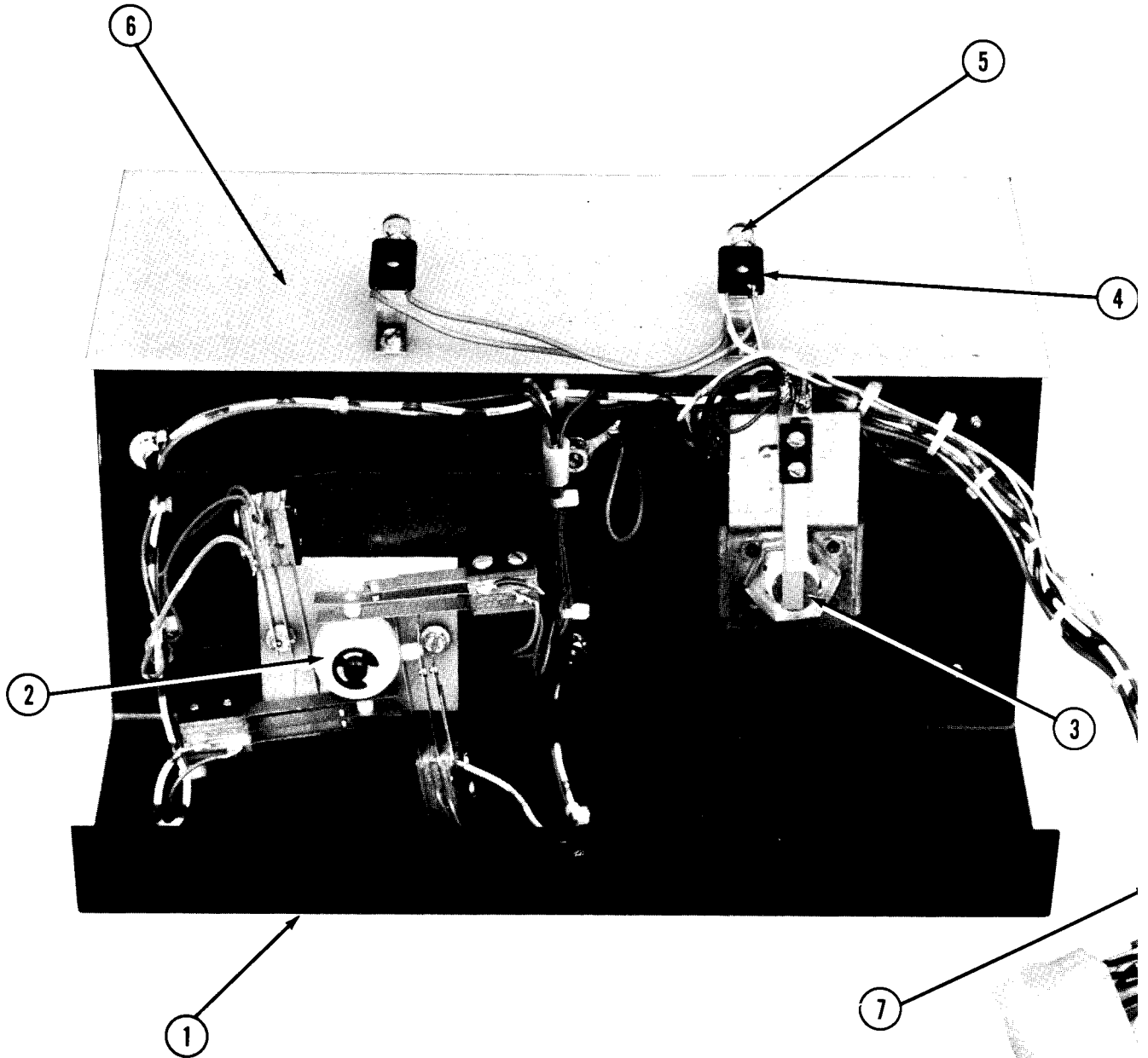
**NO. 936 — RALLY-X COCKTAIL — INTERIOR ACCESS PICTURE**



*ORDER BY PART NUMBER ONLY*

ITEM	PART N <sup>o</sup>	DESCRIPTION
1	0017-00003-0334	19" DUAL SYNC VERTICAL COLOR MONITOR & CHASSIS - ELECTROHOME
2	A921-00010-00XF	MONITOR MTG. BRKT. ASSY. (2 REQ'D.)
	0017-00101-0642	#8-32 x 1-1/2 CARRIAGE BOLT (4 REQ'D.)
	0017-00104-0031	#8 FLAT WASHER (4 REQ'D.)
	0017-00103-0061	#8-32 HEX NUT W/SEMS (4 REQ'D.)
3	A889-00017-0000	LATCH SLIDE ASSY. (TABLE TOP PROP)
4	0017-00009-0495	2" HINGE (2 REQ'D.)
	0017-00101-0639	#8-32 x 1-1/4 CARRIAGE BOLT (8 REQ'D.)
	0017-00103-0061	#8-32 HEX NUT W/SEMS (8 REQ'D.)
5	0927-00100-00XF	CONTROL PANEL (2 REQ'D.)
6	0936-00900-0000	DECORATIVE OVERLAY - PLAYER #2
7	0936-00901-0000	DECORATIVE OVERLAY - PLAYER #1
	0017-00101-0620	#8-32 x 1/2 CARRIAGE BOLT (4 REQ'D. EACH FOR PLAYER #1 & #2)
	0017-00104-0022	#8 FLAT WASHER (4 REQ'D. EACH FOR PLAYER #1 & #2)
	0017-00103-0061	#8-32 HEX NUT W/SEMS (4 REQ'D. EACH FOR PLAYER #1 & #2)
	0017-00101-0341	#6 x 1/4 PHIL. TRS. HD. SCR. (2 REQ'D. EACH FOR PLAYER #1 & #2)
8	A932-00008-0000	CONTROL ASSY. (2 REQ'D.)
9	0017-00032-0051	SMALL RED SWITCH BUTTON (2 REQ'D.) - (PLAYER #1 SIDE ONLY)
10	A855-00016-0000	PUSH BUTTON ASSY. (2 REQ'D.)
11	A935-00008-0000	CARD RACK ASSY.
12	A936-00011-0000	TRANSFORMER BOARD ASSY.
13	A084-90414-C935	POWER SUPPLY ASSY.
	0624-00902-0100	P.C. SUPPORT BRKT. - 12" (3 REQ'D.)
	0017-00101-0017	#6 x 1/2 SLT. HEX HD. SCR. (9 REQ'D.)
	0017-00104-0031	STL. WASHER (9 REQ'D.)
14	0017-00032-0083	ON/OFF SWITCH 120V, 6A.
	0567-00106-0100	ON/OFF SWITCH MTG. PLATE
15	0017-00003-0187	6" x 9" SPEAKER 8 OHM, 9W.
16	A775-00013-0000	FAN ASSY. (NEXT 7 PART NO'S)
	0017-00003-0222	FAN
	0775-00110-00XF	FAN PLATE
	0870-00100-00XF	VENT SCREEN
	0017-00101-0347	#6-32 x 1/2 PHIL. R.H.M.S. SEMS (4 REQ'D.)
	0017-00104-0009	#6 EXT. WASHER (4 REQ'D.)
	0017-00103-0005	#6-32 HEX NUT (4 REQ'D.)
	0017-00101-0026	#8 x 5/8 SLOT. HEX HD. S.M.S. (4 REQ'D.)

NO. 936 — RALLY-X COCKTAIL — CONTROL SHELF ASSEMBLY



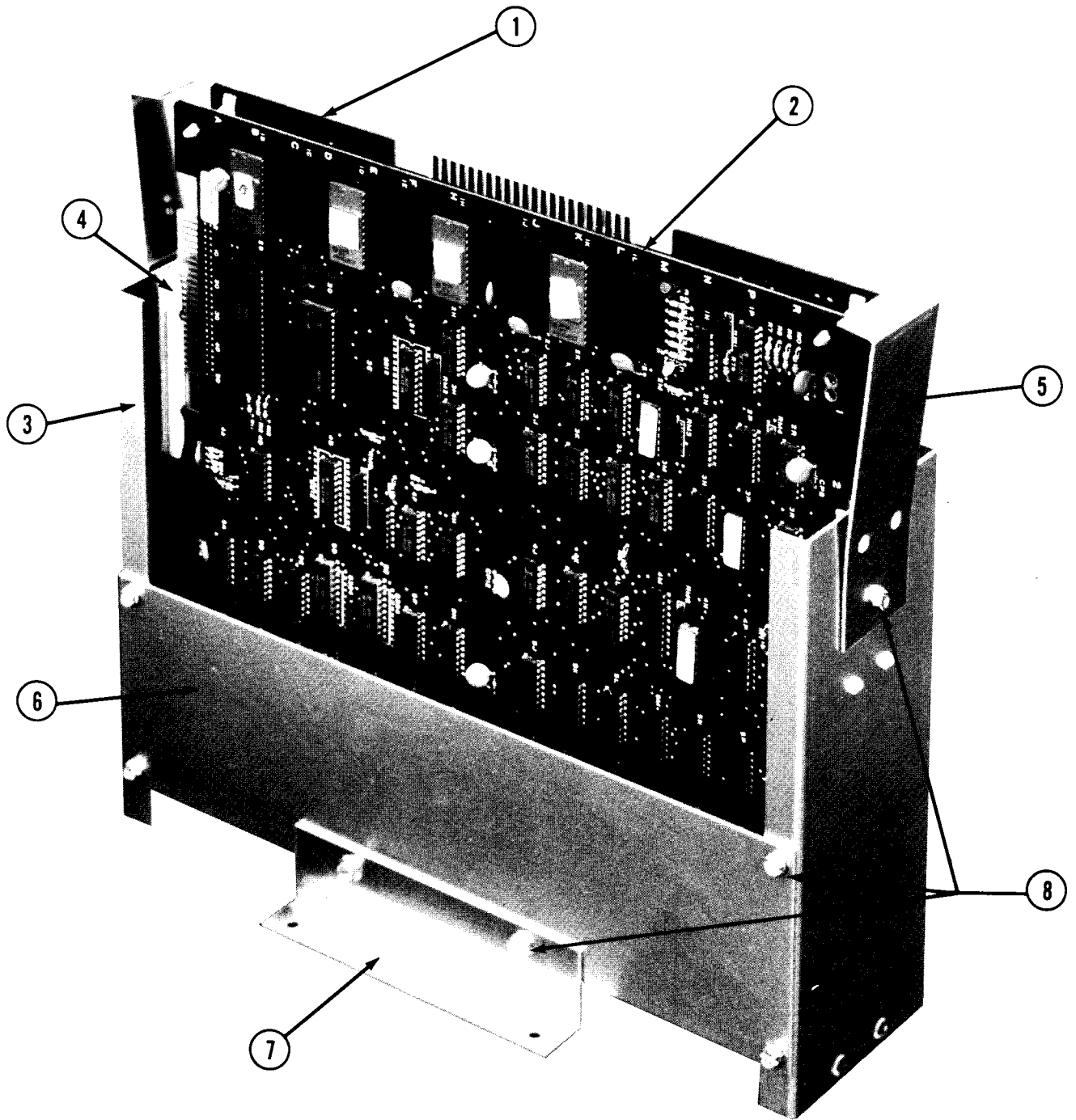
NO. 936 — RALLY-X COCKTAIL — CONTROL SHELF ASSEMBLY

*ORDER BY PART NUMBER ONLY*

ITEM	PART N <sup>o</sup>	DESCRIPTION
1	0927-00100-00XF	CONTROL PANEL
2	A932-00008-0000	CONTROL ASSEMBLY - SEE SEPERATE DETAIL
3	A855-00016-0000	PUSH BUTTON ASSY. -SEE SEPERATE DETAIL
4	0017-00031-0044	WEDGE BASE LAMP SOCKET
		(2 REQ'D. PER CONTROL)
	0017-00101-0555	#6-32 x 5/16 SLT. HEX HD. SCR.
		(2 REQ'D. PER CONTROL)
5	0017-00003-0219	#194 WEDGE LAMP 14V., .27A.
		(2 REQ'D. PER CONTROL)
6	0921-00903-0000	LIGHT SHIELD
7	A936-00006-0000	CONTROL SHELF CABLE ASSY. - PLAYER #1
	A936-00007-0000	CONTROL SHELF CABLE ASSY. - PLAYER #2



# RALLY-X — CARD RACK ASSEMBLY

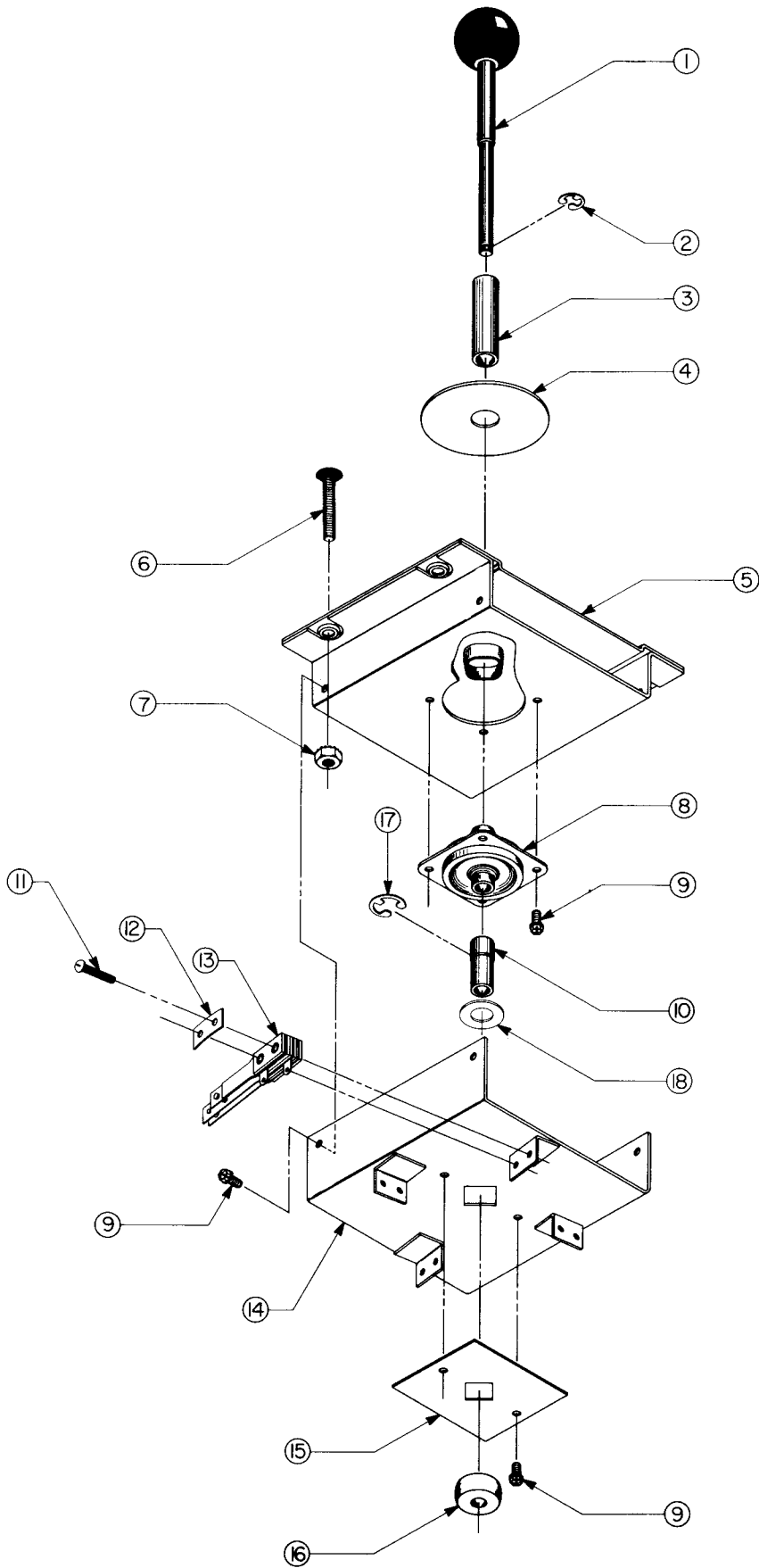


RALLY-X — CARD RACK ASSEMBLY

*ORDER BY PART NUMBER ONLY*

ITEM	PART NO	DESCRIPTION
1	A082-91385-C000	GAME LOGIC BOARD ASSY. - BOARD #1
2	A082-91387-C000	GAME LOGIC BOARD ASSY. - BOARD #2
3	A935-00015-0000	HOLDER PLATE & STOP ASSY. (2 REQ'D.)
4	0017-00009-0478	NYLON GUIDE (4 REQ'D.)
5	0935-00105-0000	RETAINER (2 REQ'D.)
6	0935-00103-0000	SIDE SUPPORT (2 REQ'D.)
7	0935-00102-0000	MOUNTING BRACKET (2 REQ'D.)
8	0017-00101-0096	#6 x 3/8 SLT. HEX HD. SCR. (14 REQ'D.)

# RALLY-X — CONTROL ASSEMBLY

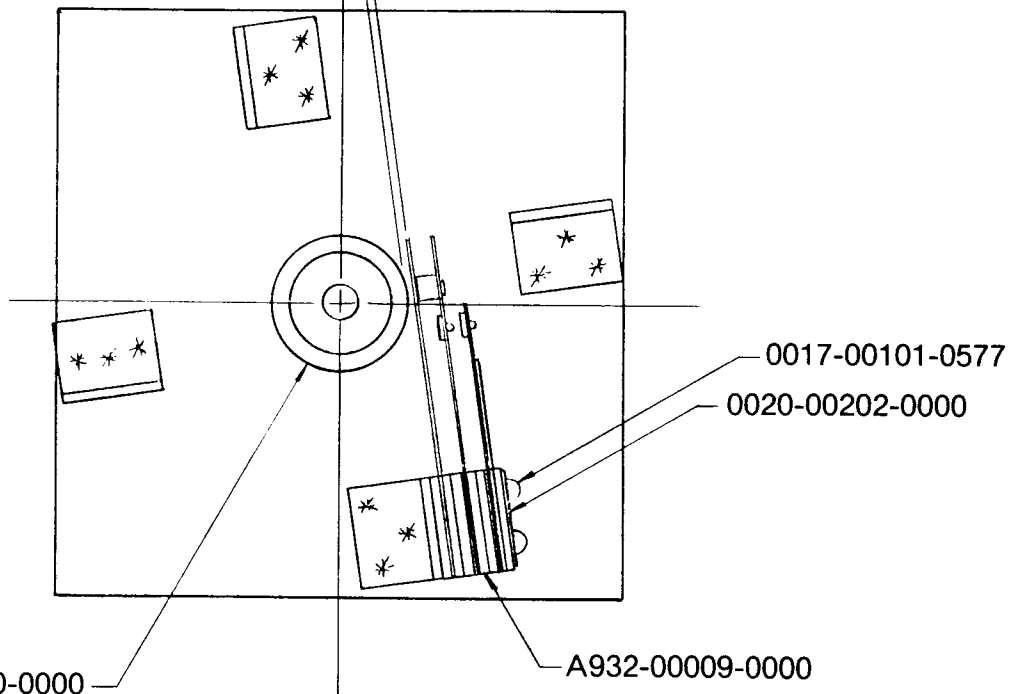


RALLY-X — CONTROL ASSEMBLY

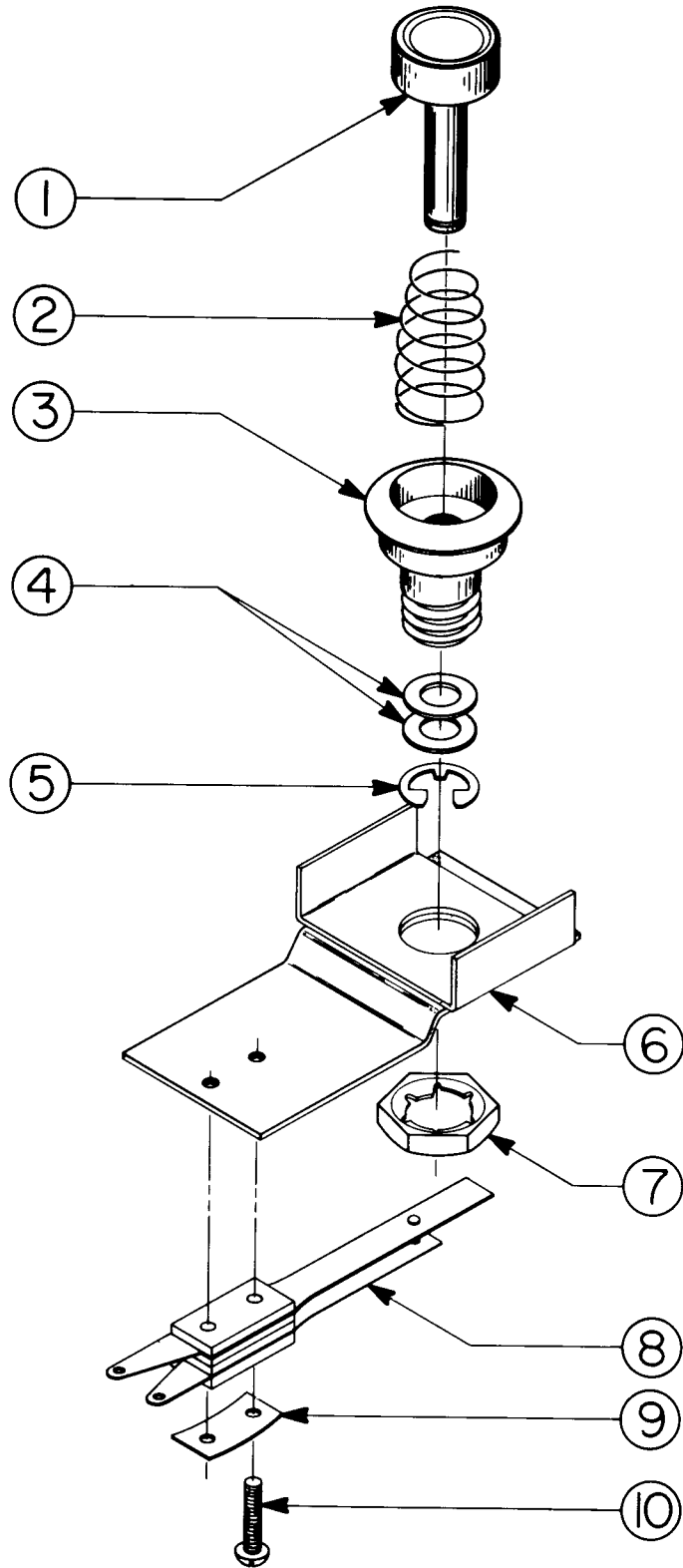
*ORDER BY PART NUMBER ONLY*

ITEM	PART N <sup>o</sup>	DESCRIPTION
1	A932-00022-0000	SHAFT & BALL ASSY.
2	0017-00100-0025	1/4" E-RING
3	0921-00702-0000	STOP SPACER
4	0921-00902-0000	SLIDE PLATE
5	A932-00011-00XF	SPOT WELD ASSY.
6	0017-00101-0713	#8-32 x 1" SLT. FLAT HD. SCREW (4 REQ'D.)
7	0017-00103-0061	#8-32 HEX NUT W/SEMS (4 REQ'D.)
8	0932-00902-0000	GROMMET
9	0017-00101-0598	#8-32 x 5/16 SLT. HEX HD. M.S. (10 REQ'D.)
10	0921-00701-0000	SLEEVE
11	0017-00101-0528	#5-40 x 3/4 SLT. RND. HD. SCR. (8 REQ'D.)
12	0020-00202-0000	SWITCH PLATE (4 REQ'D.)
13	A932-00009-0000	SWITCH ASSEMBLY (4 REQ'D.)
14	A932-00012-00XF	STOP PLATE & SWITCH BRKT. ASSY.
15	0932-00904-0000	WEAR PLATE
16	0921-00700-0000	ACTUATOR
17	0017-00100-0115	7/16" E-RING
18	0017-00104-0111	NYLON FLAT WASHER

TRAVEL OF PT. NO. 921-00700-0000 ACTUATOR IS APPROX. 1/8". SWITCH BLADE ASS'Y. SHOULD BE ADJUSTED TO MAKE CONTACT AT 1/16" OF ACTUATOR TRAVEL. TYPICAL 4.



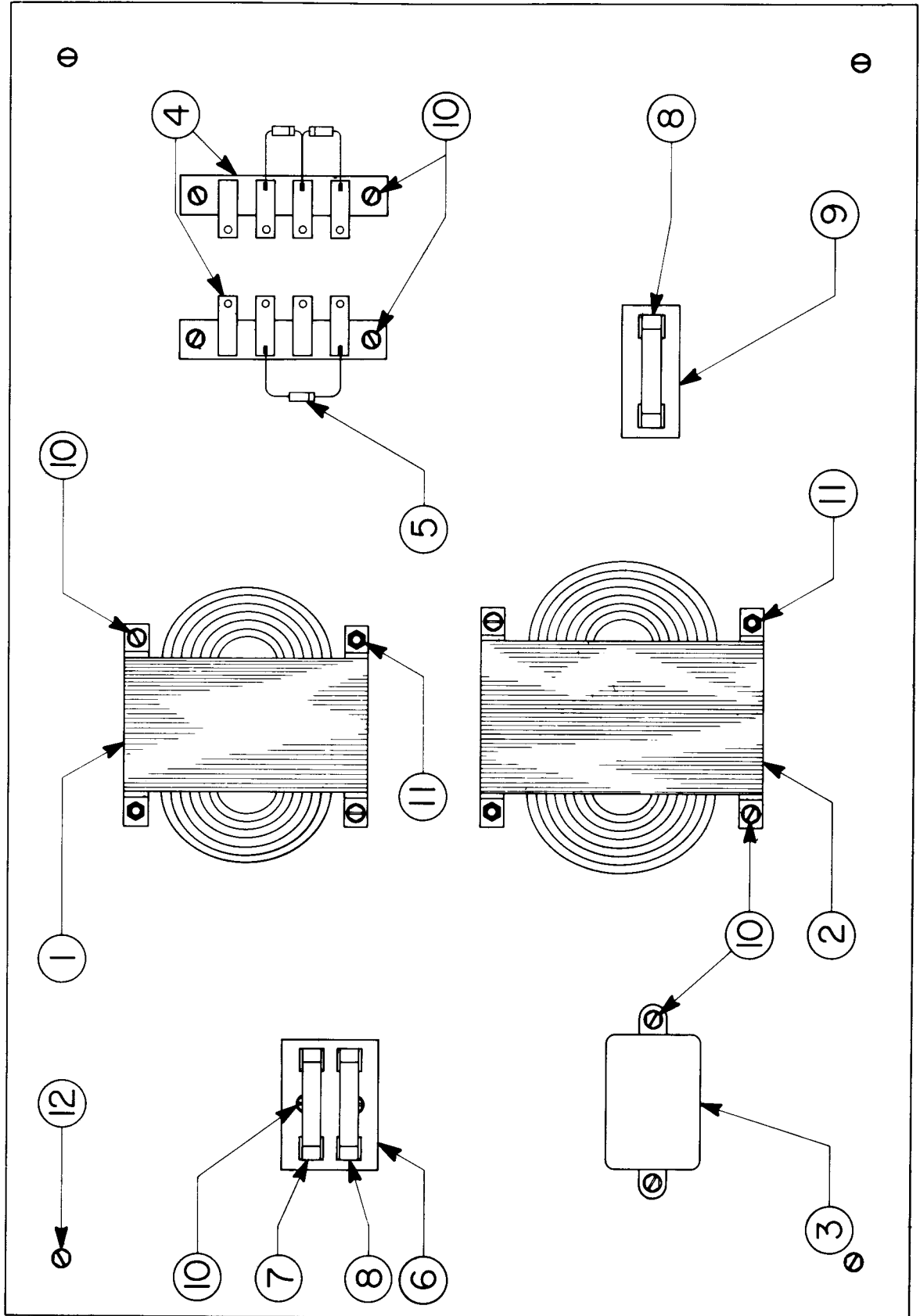
# RALLY-X — PUSH BUTTON ASSEMBLY



**RALLY-X — PUSH BUTTON ASSEMBLY**  
***ORDER BY PART NUMBER ONLY***

ITEM	PART N <sup>o</sup>	DESCRIPTION
1	0017-00009-B384	BUTTON - RED
2	0010-00242-0000	SPRING
3	0017-00009-0376	BUTTON HOUSING
4	0017-00104-0028	FLAT WASHER (2 REQ'D.)
5	0017-00100-0025	1/4" E-RING
6	A855-00016-0000	PUSH BUTTON ASSY. (FIRST 5 ITEMS)
6	A927-00011-0000	MOUNTING BRKT. ASSY. - (COCKTAIL)
6	0586-00107-0000	MOUNTING BRKT. - (UPRIGHT & MINI ONLY)
7	0017-00103-0054	PAL NUT
8	A739-00016-0000	SWITCH ASSEMBLY
9	0020-00202-0000	SWITCH PLATE
10	0017-00101-0526	#5-40 x 9/16 PHIL. HD. M.S. (2 REQ'D.)

RALLY-X — TRANSFORMER BOARD ASSEMBLY

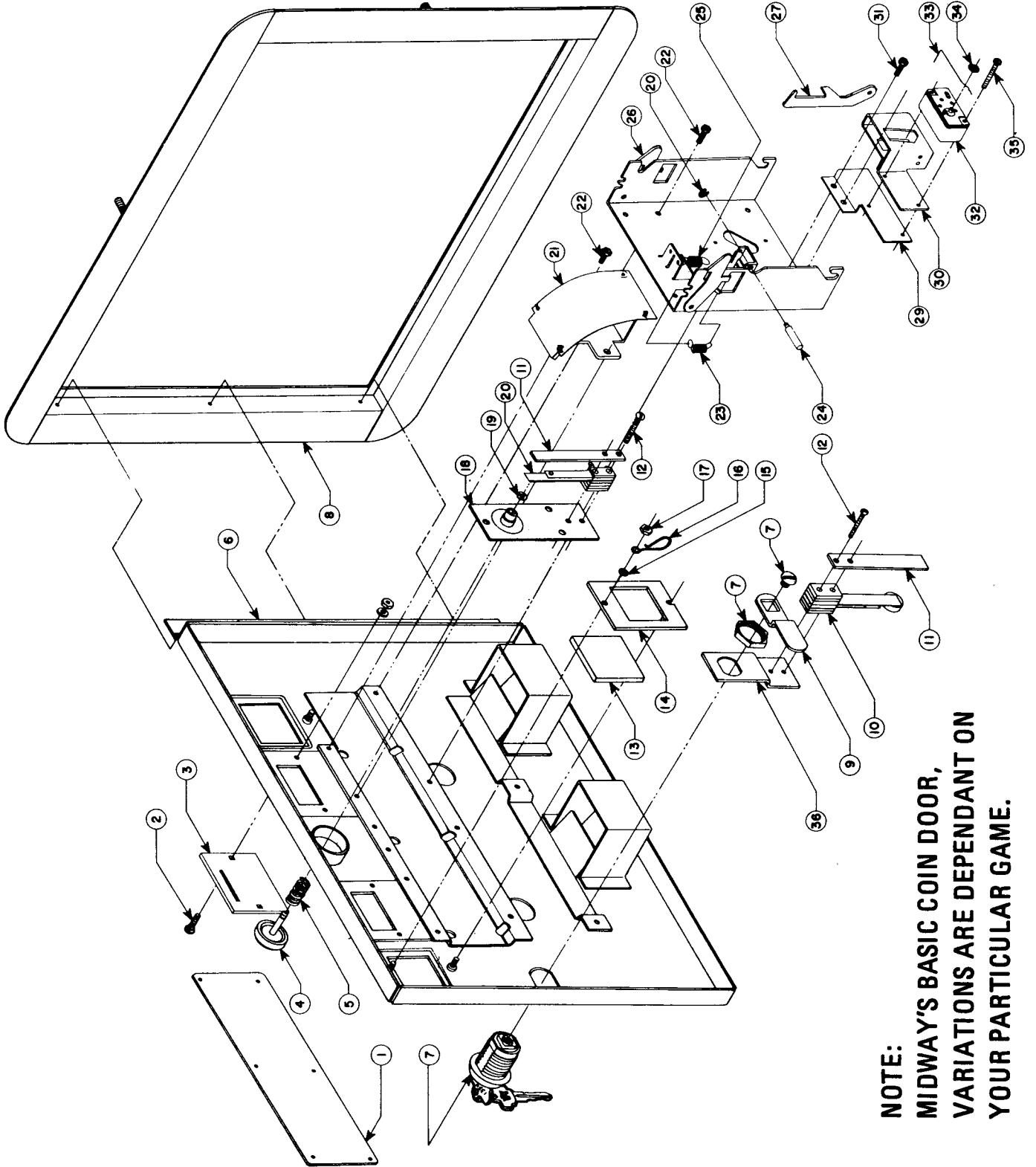


RALLY-X — TRANSFORMER BOARD ASSEMBLY  
**ORDER BY PART NUMBER ONLY**

ITEM	PART N <sup>o</sup>	DESCRIPTION
1	MT00-00082-0000	TRANSFORMER 115 VOLT
2	MT00-00087-0000	TRANSFORMER 240 VOLT
3	0017-00003-0114	NOISE FILTER
4	A031-00002-0000	TERMINAL STRIP ASSY. (2 REQ'D.)
5	0064-030XX-XXPX	DIODE IN4004 400V. (3 REQ'D.)
6	0720-00001-0200	2 POSITION FUSE CLIP
8	0017-00003-0103	FUSE 1A., 250V. SLO-BLO
8	0017-00003-0004	FUSE 2A., 250V. SLO-BLO (2 REQ'D.)
9	0720-00001-0100	1 POSITION FUSE CLIP
10	0017-00101-0015	#6 x 1-1/2 SLT. HEX HD. SCR. (16 REQ'D.)
11	0017-00101-0637	#8-32 x 1-1/4 CARRIAGE BOLT (4 REQ'D.)
	0017-00103-0008	#8-32 HEX NUT (4 REQ'D.)
12	0017-00101-0018	#6 x 3/4 SLT. HEX HD. SCR. (4 REQ'D.)
	A866-00049-0000	LINE CORD ASSY. - NOT SHOWN
	3000-04271-0000	GROUND STRAP - NOT SHOWN



**NO. 935 & 937 — RALLY-X UPRIGHT & MINI — FRONT DOOR ASSEMBLY**



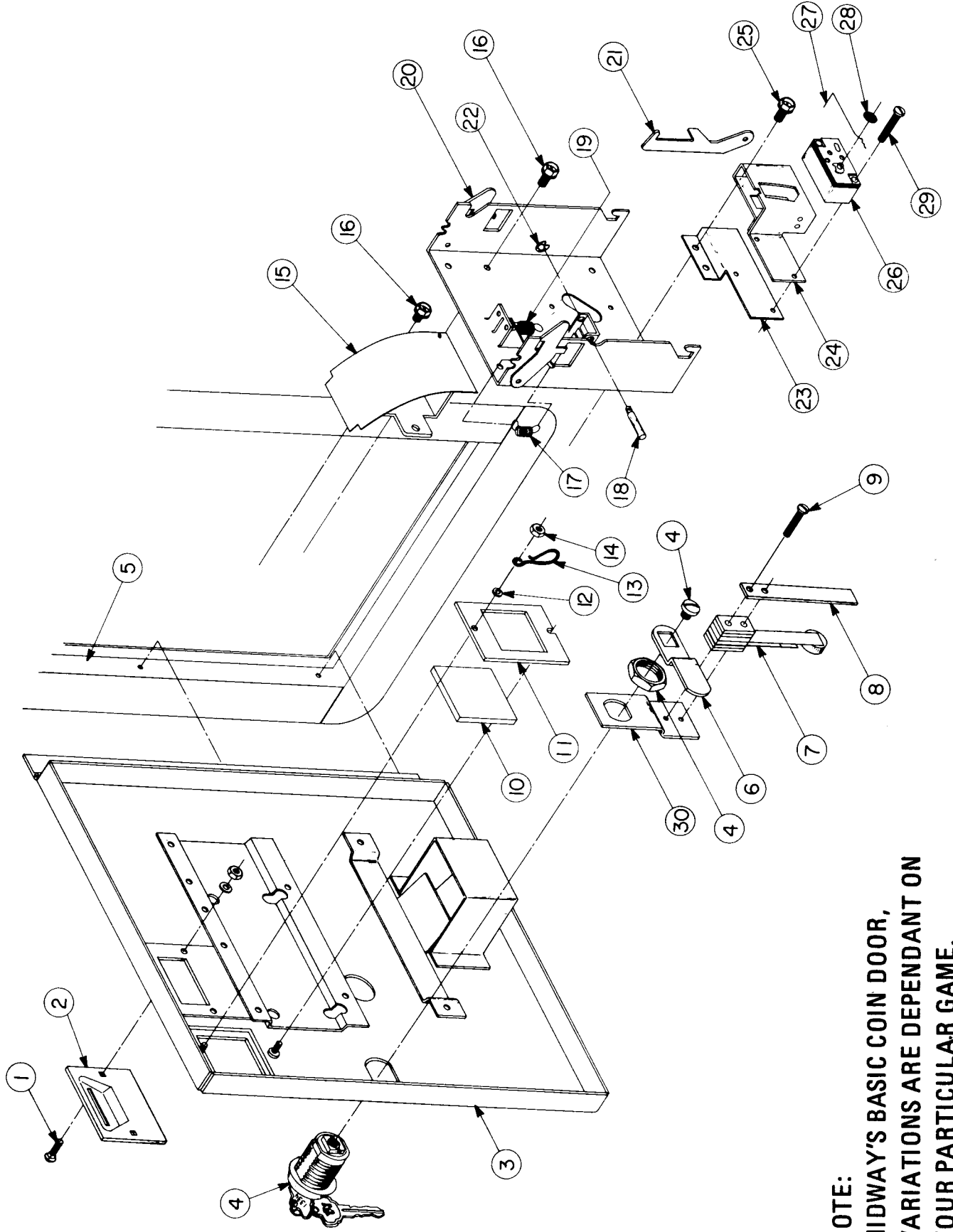
**NOTE:  
MIDWAY'S BASIC COIN DOOR,  
VARIATIONS ARE DEPENDANT ON  
YOUR PARTICULAR GAME.**

NO. 935 & 937 — RALLY-X UPRIGHT & MINI — FRONT DOOR ASSEMBLY

*ORDER BY PART NUMBER ONLY*

ITEM	PART NO	DESCRIPTION
1	0090-00902-0000	DRESS PLATE
	0090-00902-0100	DRESS PLATE W/O BUTTON TO START GAME
2	0017-00101-0552	#6-32 x 1/4 CARRIAGE BOLT (2)
3	0090-00117-03XF	COIN ENTRY PLATE (25¢)
4	0090-00906-0000	PLASTIC START BUTTON
5	0010-00007-0000	COMPRESSION SPRING
6	A090-00020-2003	DOOR ASSY. DOUBLE ENTRY
7	0017-00005-0050	DOOR LOCK & KEY WITH SCREW & NUT
8	0090-00002-02BK	DOUBLE DOOR FRAME
9	0017-00005-0041	421 N.S. CAM
10	0090-00901-0000	DOOR SWITCH
	0090-00126-01XF	SWITCH BACKUP PLATE
12	0017-00101-0528	#5-40 x 3/4" LNG. M.S.
13	0090-00903-9500	25¢ WINDOW
14	0090-00143-0000	COIN PLEX RETAINER
15	0017-00104-0002	SPLIT LOCK WASHER
16	0017-00007-0019	KEY HOOK
17	0017-00103-0005	#6-32 HEX NUT
18	0090-00010-0000	SW. PLATE & OILLITE ASSY.
19	0017-00100-0018	"E" RING
20	0090-00131-0000	SWITCH
21	0090-00104-0000	TOP & BTM. COIN CHUTE W/BRKT. ASSY.
22	0017-00101-0598	#8 x 5/16 SCREW
23	0010-00181-0100	SPRING
24	0090-00129-00XF	PIVOT POST
25	0010-00134-0000	SPRING
26	0090-00008-0000	ACCEPTOR FRAME ASSY.
27	0093-00155-00XF	REJECTOR LEVER
28	0017-00100-0012	"E" RING
29	0090-00162-00XF	COIN SWITCH MTG. BRKT. - SMALL (AMERICAN)
29	0090-00163-00XF	COIN SWITCH MTG. BRKT. - LARGE
30	0017-00005-0203	COIN SWITCH CHUTE - SMALL (AMERICAN)
30	0017-00005-0204	COIN SWITCH CHUTE - LARGE
31	0017-00101-0555	#6-32 x 5/16 SCREW
32	0017-00005-0195	COIN SWITCH
33	0010-00599-0000	COIN SWITCH WIRE
34	0017-00007-0132	PUSH-ON RING (BLK.)
35	0017-00101-0698	#4-40 x 3/4 SCREW (2 REQ'D.)
36	0090-00128-00XF	SWITCH BRKT. - DOOR TILT
	A090-00061-0000	ANTI-STRING DEVICE ASSY. (REPLACES ITEM 30)
	A090-00064-0000	ANTI-PENNY DEVICE ASSY.

**NO. 936 — RALLY-X COCKTAIL — FRONT DOOR ASSEMBLY**

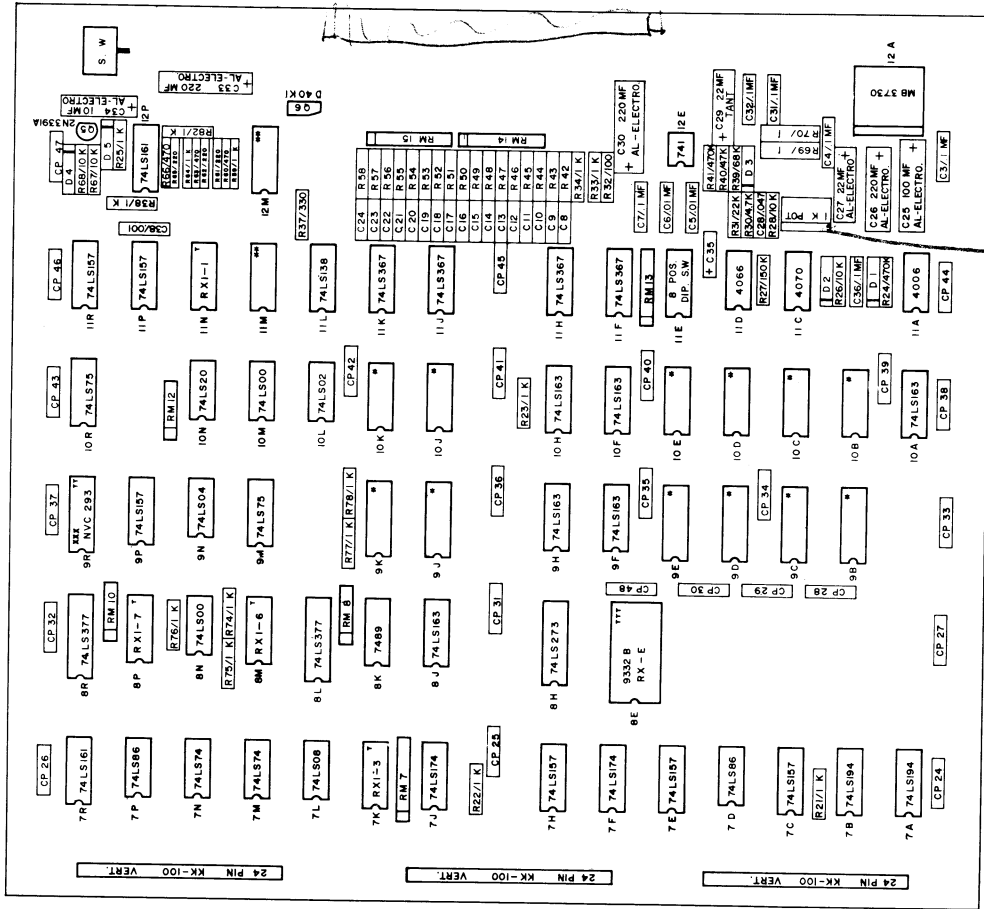


**NOTE:  
MIDWAY'S BASIC COIN DOOR,  
VARIATIONS ARE DEPENDANT ON  
YOUR PARTICULAR GAME.**

NO. 936 — RALLY-X COCKTAIL — FRONT DOOR ASSEMBLY

*ORDER BY PART NUMBER ONLY*

ITEM	PART N <sup>o</sup>	DESCRIPTION
1	0017-00101-0552	#6-32 x 1/4 CARRIAGE BOLT (2 REQ'D.)
2	0090-00117-03XF	COIN ENTRY PLATE (25¢)
3	A090-00058-0000	DOOR ASSY. SINGLE ENTRY
4	0017-00005-0050	DOOR LOCK & KEY WITH SCREW & NUT
5	0090-00002-01BK	SINGLE DOOR FRAME
6	0017-00005-0041	421 N.S. CAM
7	0090-00901-0000	DOOR SWITCH
8	0090-00126-01XF	SWITCH BACKUP PLATE
9	0017-00101-0528	#5-40 x 3/4 LONG M.S. (2 REQ'D.)
10	0090-00903-9500	25¢ WINDOW
11	0090-00143-0000	COIN PLEX RETAINER
12	0017-00104-0002	SPLIT LOCK WASHER (2 REQ'D.)
13	0017-00007-0019	KEY HOOK
14	0017-00103-0005	#6-32 HEX NUT (2 REQ'D.)
15	0090-00104-0000	TOP & BOTTOM COIN CHUTE W/BRKT. ASSY.
16	0017-00101-0598	#8-32 x 5/16 SCREW (4 REQ'D.)
17	0010-00181-0100	SPRING
18	0090-00129-00XF	PIVOT POST
19	0010-00134-0000	SPRING
20	0090-00008-0000	ACCEPTOR FRAME ASSY.
21	0093-00155-00XF	REJECTOR LEVER
22	0017-00100-0012	E-RING
23	0090-00162-00XF	COIN SWITCH MTG. BRKT. - SMALL (AMERICAN)
23	0090-00163-00XF	COIN SWITCH MTG. BRKT. - LARGE
24	0017-00005-0203	COIN SWITCH CHUTE - SMALL (AMERICAN)
24	0017-00005-0204	COIN SWITCH CHUTE - LARGE
25	0017-00101-0555	#6-32 x 5/16 SCREW (2 REQ'D.)
26	0017-00005-0195	COIN SWITCH
27	0010-00599-0000	COIN SWITCH WIRE
28	0017-00007-0132	PUSH-ON RING (BLK.)
29	0017-00101-0698	#4-40 x 3/4 SCREW (2 REQ'D.)
30	0090-00128-00XF	SWITCH BRKT. - DOOR TILT
	A090-00061-0000	ANTI-STRING DEVICE ASSY. (REPLACES ITEM 24)
	A090-00064-0000	ANTI-PENNY DEVICE ASSY.



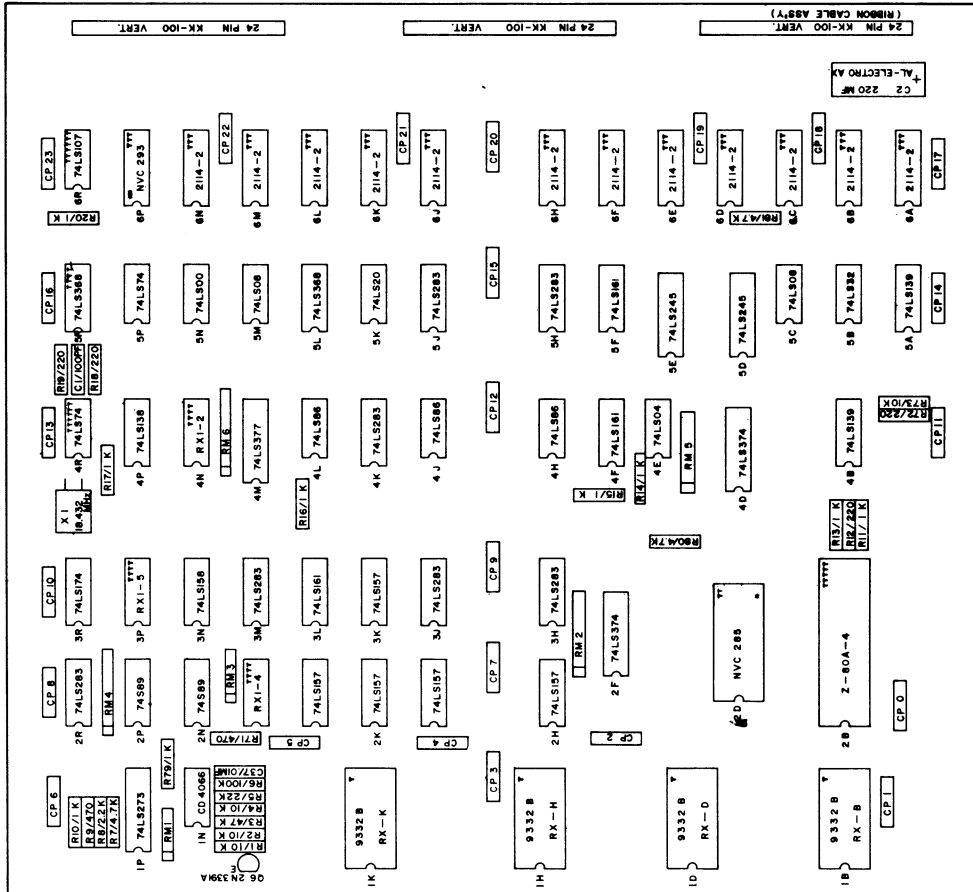
NOTE:  
 K : W/HEATSINKS AS PER B.O.M.  
 : PRIMARY - MBM2147H IN LOC. 9B, 9C, 9D, 9E, 9J, 9K  
 SUB - MBM2147E IN LOC. 9B, 9C, 9D, 9E, 9J, 9K  
 : PRIMARY - 93415 IN LOC. 10B, 10C, 10D, 10E, 10J, 10K  
 SUB - 74LS259 IN LOC. 12M  
 : PRIMARY - CD 4099 IN LOC. 11M  
 T : 16 PIN SOCKET (4 EA)  
 TT : 18 PIN SOCKET (1 EA)  
 TTT : 24 PIN SOCKET (1 EA)  
 D1 - D5 : IN 914 B  
 R42 - R58 : 220 Ohm  
 R69, 70 : 1 Ohm 1/2 W  
 C 4, 31, 32 : 1 MF DISC. CER.  
 CP 24 - CP 48, C 8 - C 24 : 1 MF AX. CER.  
 C 35 : 1 MF TANT  
 RM 7, 13, 14, 15 : 1 K 9 OR 10 PIN SIP  
 RM 8, 10, 12 : 1 K 6 PIN SIP  
 UNIT UNMARKED CAPS ARE MF & ALL CAPS ARE AX. TYPE  
 ALL RESISTOR UNIT Ohm  
 C 5, 6 - MYLAR CAPS  
 XXX : THIS LOCATION CAN UTILIZE EITHER  
 OR (A) CUSTOM CHIP NYC 293  
 (B) PLUG IN P. C. A082-91388-A000  
 VIDEO SHIFTER (293)

USED ON RALLY - X  
 NO REQ | PER  
**MIDWAY MFG. CO.**  
 FRANKLIN PA. U.S.A.  
 PART NO. A082-91385-C000

SCALE  
 HEAT TREAT  
 FINISH  
 ASS'Y DRAWING  
 LOGIC BD I

M051-00935-C030  
 DON'T SCALE DWG  
 DIM TOLERANCES  
 UNLESS SPECIFIED  
 DECIMALS ±0.005  
 FRACTIONS ±0.001  
 HOLE DIA. ±0.002  
 DATE 1-9-81

REVISIONS  
 REVISION NO. | DATE | BY | DESCRIPTION  
 1 | | | |  
 2 | | | |  
 3 | | | |



NOTE:

- T : 24 PIN SOCKET (4 EA)
- TT : 28 PIN SOCKET (1 EA)
- TTT : 18 PIN SOCKET (13 EA)
- TTTT : 16 PIN SOCKET (4 EA)
- TTTTT : 40 PIN SOCKET (1 EA)
- TTTTTT : 14 PIN SOCKET (2 EA)
- CP 0 - CP 23 : .1 MF AX. CER.
- RM 2, 4, 5, 6 : 1 K 9 OR 10 PIN SIP RESISTOR.
- RM 1, 3 : 1 K 6 PIN SIP RESISTOR.

ALL CER. CAPS ARE AX. TYPE.  
RESISTOR UNIT : OHM

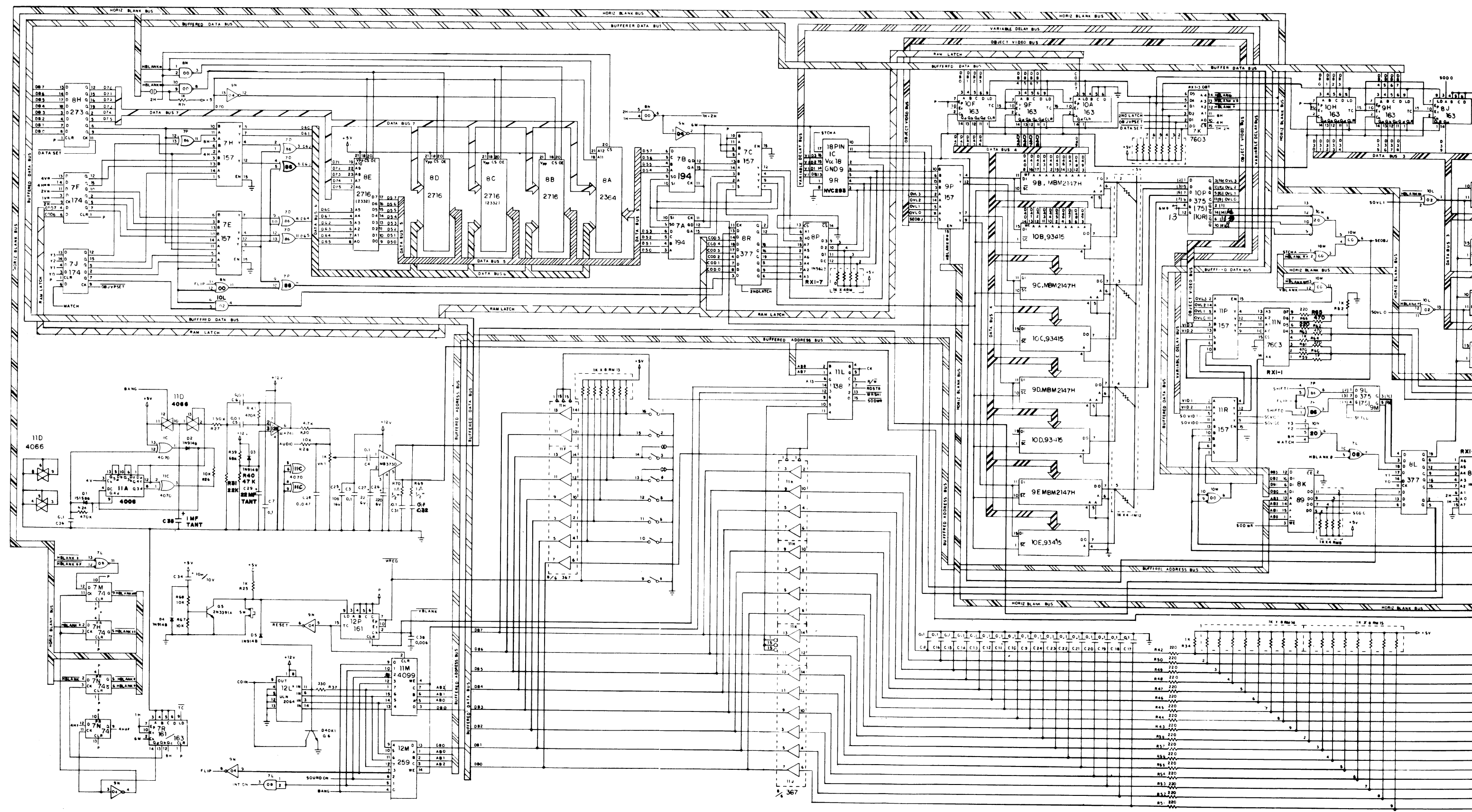
RICHQ 3/4" STAND-OFF

\* NOTE : THIS LOCATION CAN UTILIZE EITHER  
(A) CUSTOM CHIP NYC 285  
OR (B) PLUG IN P.C. A082-91387-8000  
Z-80 SYNC BUSS CONTROLLER (285)

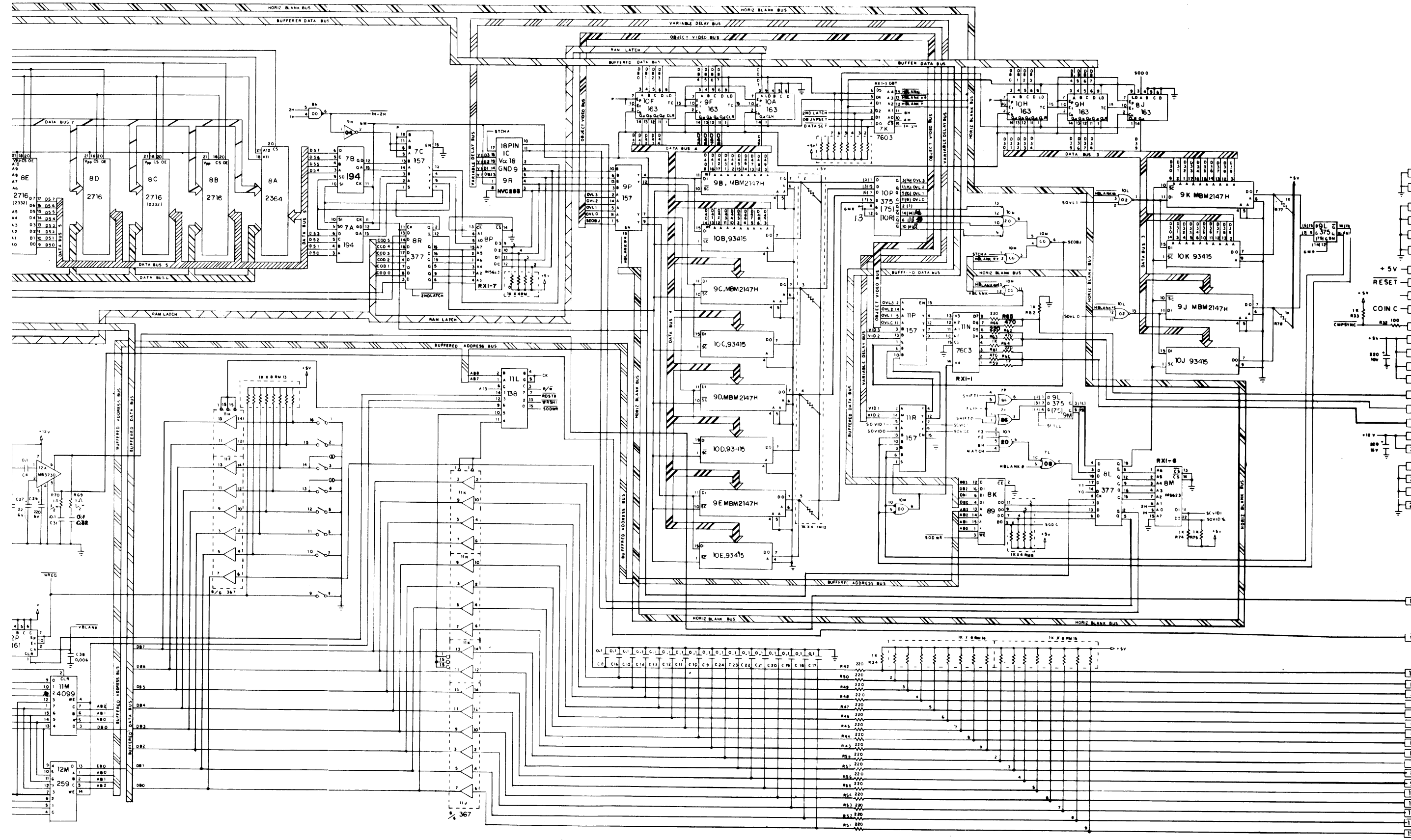
\*\* NOTE : THIS LOCATION CAN UTILIZE EITHER  
(A) CUSTOM CHIP NYC 283  
OR (B) PLUG IN P.C. A082-91388-A000  
VIDEO SHIFTER (283)

REVISIONS	
USED ON	RALLY-X
SCALE	NO. RECD   PER
HEAT TREAT	FINISH
DO NOT SCALE DIMS UNLESS SPECIFIED	DATE: 1-9-81
CONDUCTIVITY 1.18 - 400 OHM INCHES	
ORIGINAL MANUFACTURE	
MIDWAY MFG. CO. FRANKLIN PA. 4LL	
PART NO. A082-91387-C000	
ASSY DRAWING	
LOGIC BD II	

- 1 +5V
- 2 +5V
- 3 +5V
- 4 GND
- 5 GND
- 6 GND
- 7 GND
- 8 COD4
- 9 COD3
- 10 COD5
- 11 COD2
- 12 COD1
- 13 COD8
- 14 GND
- 15 FLIP
- 16 SHIFT
- 17 SHIFT 1
- 18 SFLLD
- 19 RESET
- 20 HBLANK
- 21 H
- 22 TC
- 23 BM
- 24 WSHI
- 25 INTON
- 26 AB7
- 27 GND
- 28 A/2
- 29 A/2
- 30 A12
- 31 AB1
- 32 AB2
- 33 HBLANK
- 34 AB 0
- 35 AB 3
- 36 Y2
- 37 Y3
- 38 Y1
- 39 Y0
- 40 MATCH
- 41 SOUND ON
- 42 YBLANK
- 43 DB4
- 44 DB7
- 45 DB4
- 46 DB5
- 47 4V
- 48 WSTB
- 49 DB0
- 50 DB1
- 51 DB2
- 52 DB3
- 53 4H Y
- 54 4V Y
- 55 2V Y
- 56 1V Y
- 57 COD7
- 58 COD6
- 59 WREG
- 60 CPMPCN
- 61 AUDIO
- 62 GND
- 63 GND
- 64 GND
- 65 GND
- 66 GND
- 67 GND
- 68 GND
- 69 GND
- 70 +5V
- 71 +5V
- 72 +5V



11 14



- T COMM. GND
- 16 MONITOR GND
- A } C.T. GND
- B } 5 V
- 2
- 5 +5 V
- E RESET
- F PWR CREDIT MULT
- G CREDIT MULT
- H COIN METER
- I COMP. SYNC TO MONITOR
- 18
- C } +5 V IN
- D } FR. P.S.
- 4
- V BLUE GUN
- 17 GRN GUN
- U RED GUN
- X } +12 V IN
- Z } FR. P.S.
- 20
- Y } C.T. GND
- 21 } 12 V
- 22

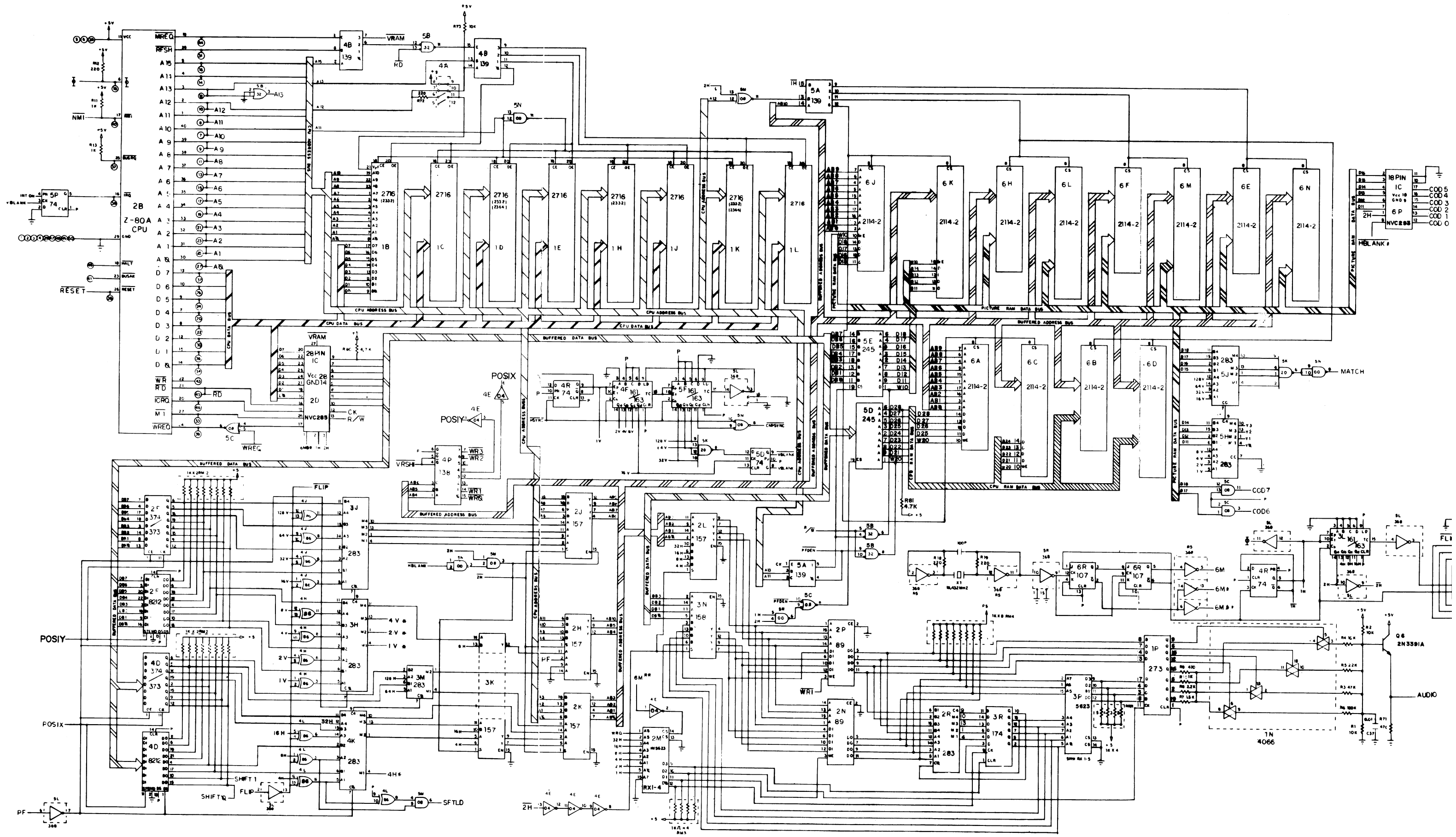
= LOGIC PINS  
 ← = BOARD CONNECTION  
 P = PULL UP

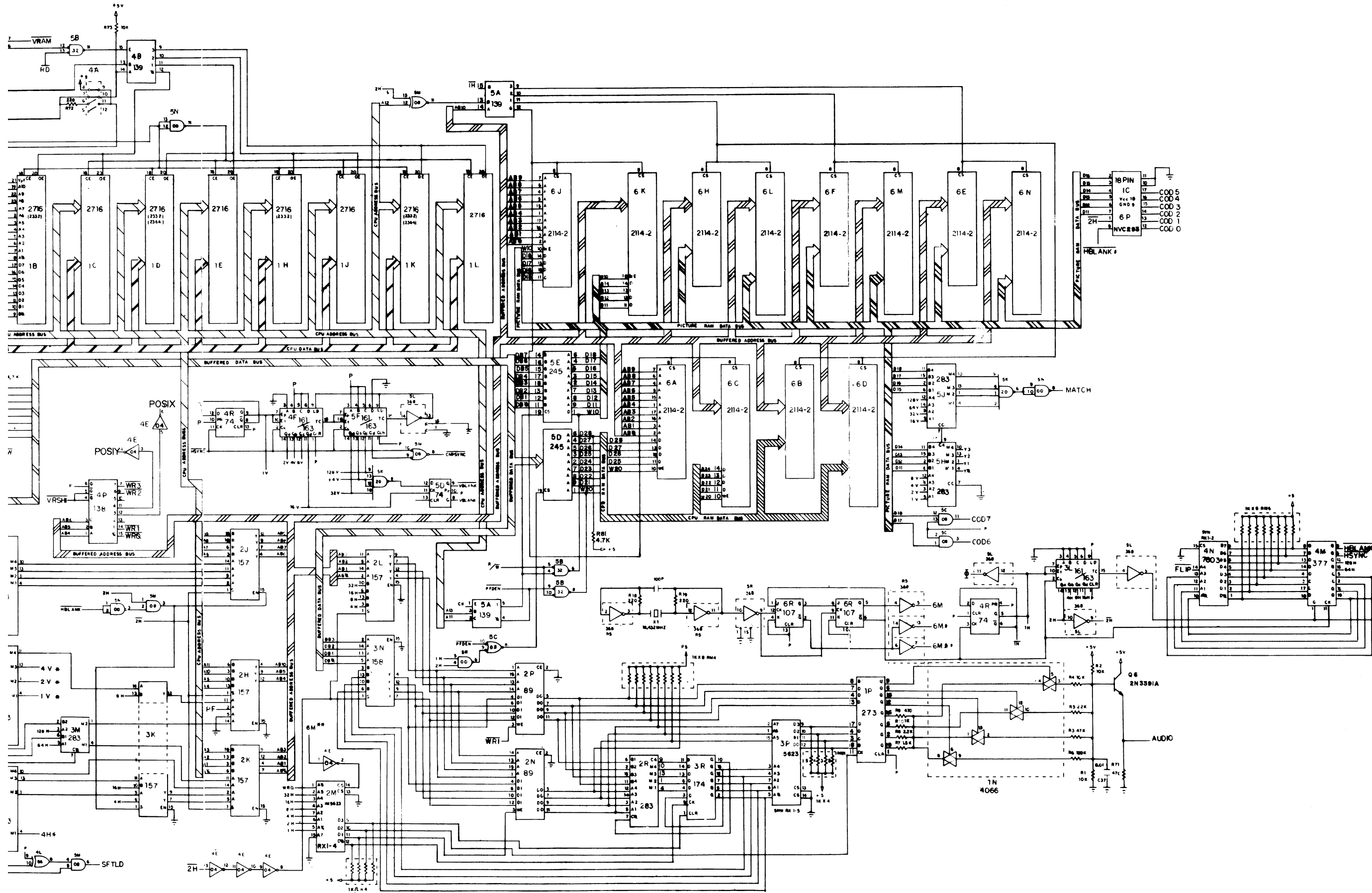
MIDWAY MFG. CO.  
 FRANKLIN PARK, ILL.

DATE 1/8/70  
 DESIGNED BY RALLY-X  
 LOGIC SCHEMATIC PART NO. A082-91385-C000  
 MOBI-00888-C028

- 14 TEST POS.
- 15 COIN S.W.
- 16 1 PLY SELECT
- 17 P1 UP
- 18 P1 DN
- 19 P1 RT
- 20 P1 LT
- 21 P1 SMOKE
- 22 CREDIT S.W.
- NC
- 2 PLY SELECT
- 3 P2 UP
- 4 P2 DN
- 5 P2 RT
- 6 P2 LT
- 7 P2 SMOKE
- 8 TO GND FOR C.T. ONLY







- 1 +5V
- 2 +5V
- 3 +5V
- 4 GND
- 5 GND
- 6 GND
- 7 GND
- 8 COD4
- 9 COD3
- 10 COD5
- 11 COD2
- 12 COD1
- 13 CODM
- 14 6M9
- 15 FLIP
- 16 SHFTO
- 17 SHFT1
- 18 SFTLD
- 19 RESET
- 20 HBLANK
- 21 1H
- 22 TC
- 23 6M
- 24 WRSH
- 25 INTON
- 26 AB7
- 27 AB8
- 28 AB9
- 29 CK
- 30 A13
- 31 AB1
- 32 AB2
- 33 HBLANK
- 34 ABC
- 35 AB3
- 36 Y2
- 37 Y3
- 38 Y1
- 39 Y0
- 40 MATCH
- 41 SOUND ON
- 42 VBLANK
- 43 DB4
- 44 DB7
- 45 DB6
- 46 DB5
- 47 4V
- 48 ROSTB
- 49 DB0
- 50 DB2
- 51 DB3
- 52 DB3
- 53 4H
- 54 4V
- 55 2V
- 56 1V
- 57 COD7
- 58 COD5
- 59 WRSH
- 60 CPMVNC
- 61 AUDIO
- 62 5H
- 63 GND
- 64 GND
- 65 GND
- 66 GND
- 67 GND
- 68 GND
- 69 +5V
- 70 +5V
- 71 +5V
- 72 +5V

Y = BOARD CONNECTOR  
 P = PULL UP

MIDWAY MFG. CO.  
 FRANKLIN PARK, N.J.

DATE 1/8/81 NO. REQD 1  
 USED ON RALLY-X

DESC.  
 LOGIC LOGIC 02 II  
 PART NO.  
 A082-9387-0000  
 LOGIC SCHEMATIC PART NO.  
 M501-00855-C024

**RALLY - X**

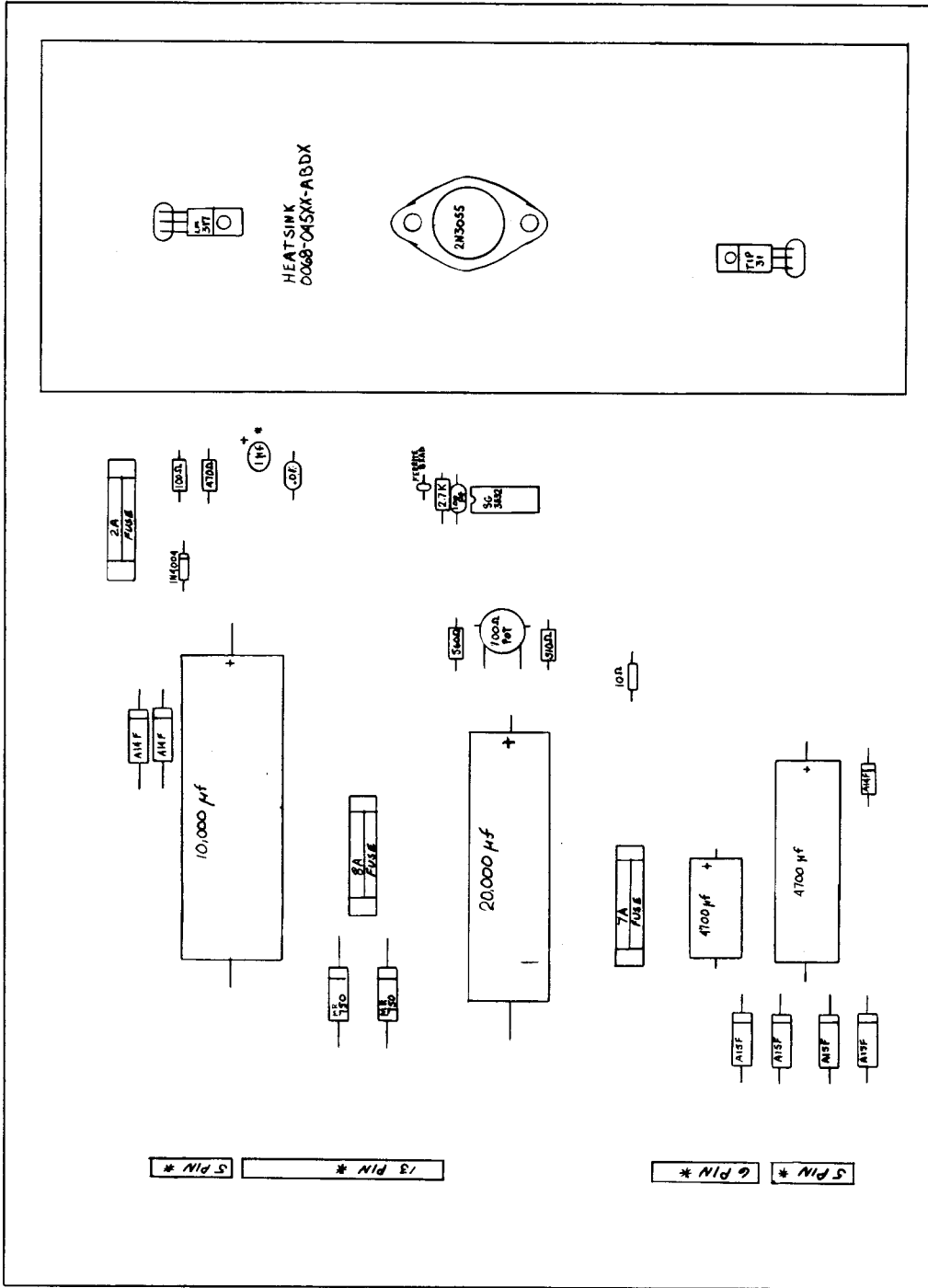
**Logic Board I  
A082-91385-C000**

<b>PART NUMBER</b>	<b>FUNCTION</b>
74LS00	Quad 2 input Nand
74LS02	Quad 2 input Nor
74LS04	Hex inverter
74LS08	Quad 2 input And
74LS20	Dual 4 input Nand
74LS74	Dual "D" Flip-Flop
74LS75	Quad latch
74LS86	Quad 2 input exclusive or
74S89	64 Bit Ram 16 x 4
74LS138	3 to 8 line decoder
74LS157	Quad 2 to 1 line multiplexer
74LS161	4 Bit binary counter
74LS163	4 Bit binary counter
74LS174	Hex "D" Flip-Flop
74LS194	8 Bit shift register
74LS259	8 Bit addressable latch
74LS273	Octal "D" Flip-Flop
74LS367	Hex buss driver
74LS377	Octal "D" Flip-Flop
4006	18 Bit shift register
4066	Quad bilateral switch - Cmos
4070	Quad exclusive or gate - Cmos
4099	8 Bit addressable latch - Cmos
NVC293	Custom video shifter
A082-91388-A000	Video shifter P.C.
9332	4K x 8 Rom
2532	4K x 8 Eprom
1M5623	256 x 4 Prom
MBM2147	1K x 1 Ram
93415	1K x 1 Ram
82S25	16 x 4 Ram
7603	32 x 8 Prom - tri-state
741	Operational amplifier
MB3730	Audio amplifier
2N3391	NPN transistor
D40K1	NPN transistor
IN914	Diode

**Logic Board II  
A082-91387-C000**

<b>PART NUMBER</b>	<b>FUNCTION</b>
74LS00	Quad 2 input Nand
74LS04	Hex inverter
74LS08	Quad 2 input And
74LS20	Dual 4 input Nand
74LS32	Quad 2 input or
74LS74	Dual "D" Flip-Flop
74LS86	Quad 2 input exclusive or
74S89	64 Bit Ram 16 x 4
74LS107	Dual "JK" Flip-Flop
74LS138	3 to 8 line decoder
74LS139	Dual 2 to 4 line decoder
74LS157	Quad 2 to 1 line multiplexer
74LS158	Quad 2 to 1 line multiplexer - inverting
74LS161	4 Bit binary counter
74LS174	Hex "D" Flip-Flop
74LS245	Octal buss transceiver
74LS273	Octal "D" Flip-Flop
74LS293	4 Bit full adder
74LS368	Hex buss driver - inverting
74LS374	Octal "D" Flip-Flop Tri-state
74LS377	Octal "D" Flip-Flop
NVC285	Custom Z80 sync buss controller
A082-91383-B000	Z80 sync buss controller P.C.
NVC293	Custom video shifter
A082-91388-A000	Video shifter P.C.
Z80	CPU
9332	4K x 8 Rom
2532	4K x 8 Eprom
1M5623	256 x 4 Prom
7603	32 x 8 Prom - tri-state
2114	1K x 4 Ram
82S25	16 x 4 Ram
4066	Quad bilateral switch
18.432 mhz	Crystal
2N3391	NPN transistor

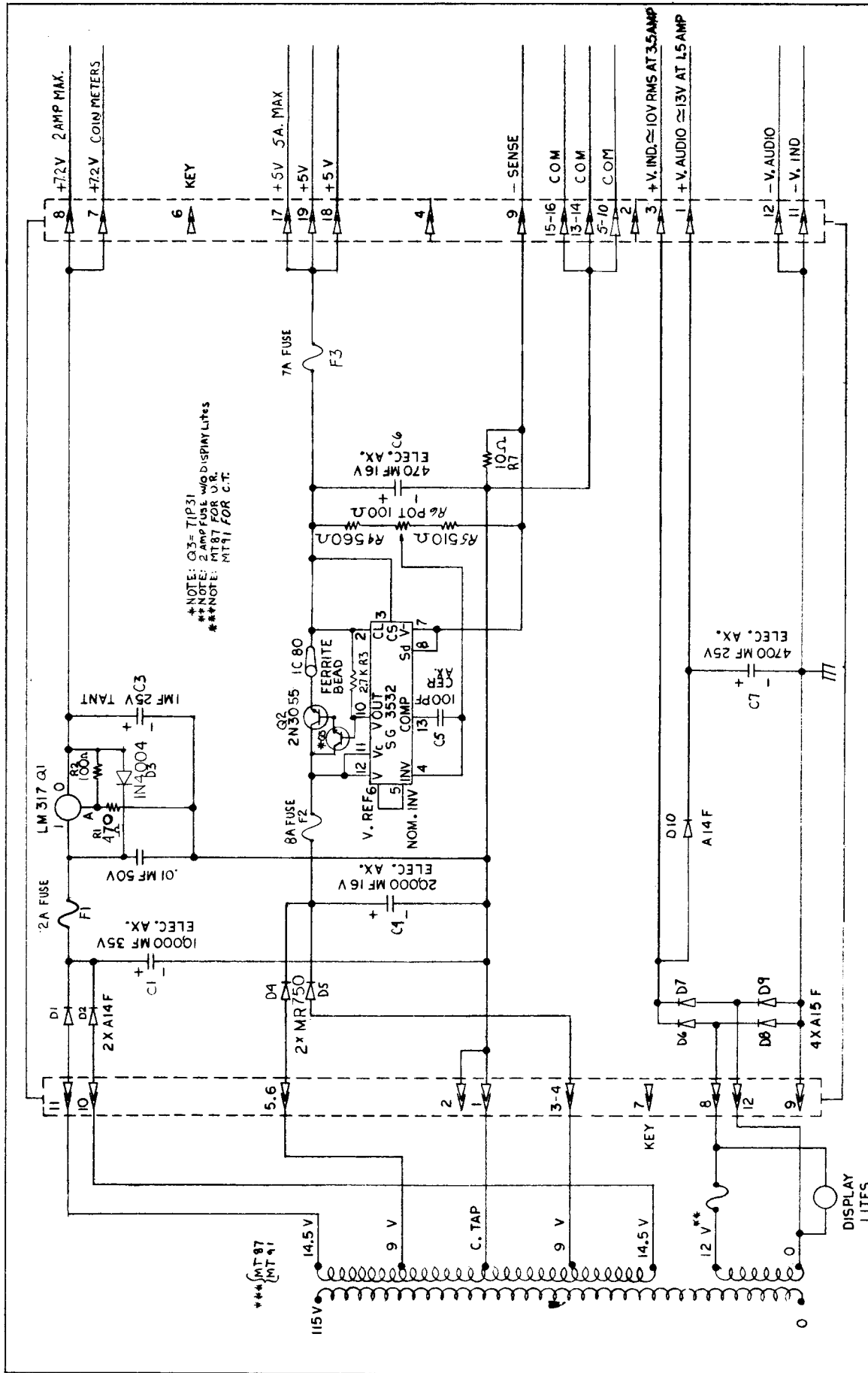
NOTE \* AX. TRAIT OR  
 RD. TRAIT



DRWG NO. M051-00935-C028

\* NOTE: RIGHTANGLE KK.156

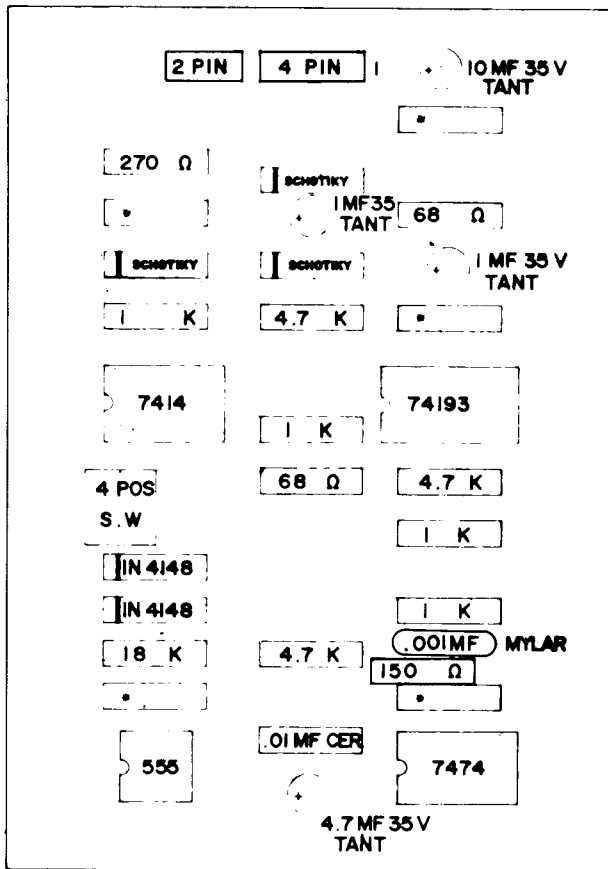
DO NOT SCALE DWG.		HEAT TREAT	SCALE	USED ON RALLY-X	REVISIONS
DIM. TOLERANCES UNLESS SPECIFIED		MAT'L.	NO. REG'D	MIDWAY MFG. CO.	
CONFORMITY TO MIL STD		FINISH		FRANKLIN PK., ILL.	
DECIMAL ..... 1.001					
HOLE DIA. .... 2.002-2.003					
DATE 16 JAN 81					
RALLY-X Power Supply ASSMB DRWG			PART NO. A084-90914-C935		



+NOTE: Q3= TIP31  
 \*\*NOTE: 2 AMP FUSE W/O DISPLAY LITES  
 \*\*\*NOTE: MT87 FOR U.R.  
 \*\*\*\*NOTE: MT91 FOR C.T.

DRAWING NO. MO51-00935-C025

REVISIONS	
USED ON RALLY-X	NO. REQ'D 1
MIDWAY MFG. CO. FRANKLIN PK. ILL.	
PART NO. A084-90414-C935	
RALLY-X PWR SPLY SCHEMATIC	
DO NOT SCALE DWG.	HEAT TREAT
DIM. TOLERANCES UNLESS SPECIFIED	MAT'L
DRN. T3K	FINISH
FRACTIONAL: 1/4 Ckd.	DATE 12/4/80
CONCENTRICITY: 1/4	
HOLE DIA. +.002 - .004	



\* 1 MF 50 V CER AX.

SCHOTIKY DIODE -- IN5818 OR IN5817

M051-00932-C027

USED ON PAC-MAN

NO REQ'D

SCALE

HEAT TREAT

MAT'L

FINISH

DO NOT SCALE DWG

DIM TOLERANCES UNLESS SPECIFIED

CONCENTRICITY TIR .003  
FRACTIONAL .0005  
DECIMAL .005  
HOLE DIA + .002 .000

DRN *CR*

CHK

DATE 10/22/80

ASSEMBLY DRAWING  
CREDIT MULTIPLIER P.C

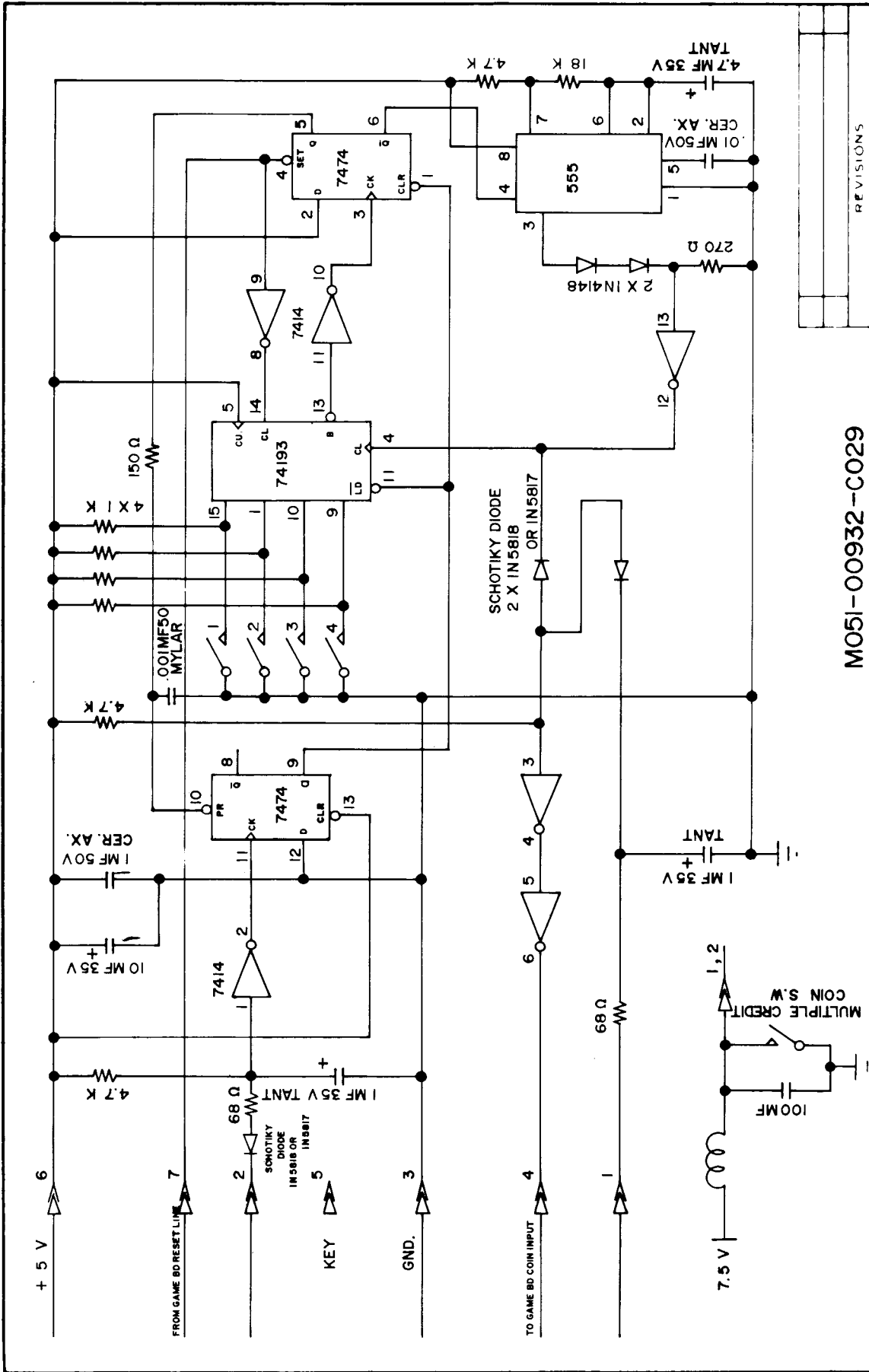
MIDWAY MFG. CO.

FRANKLIN PK ILL

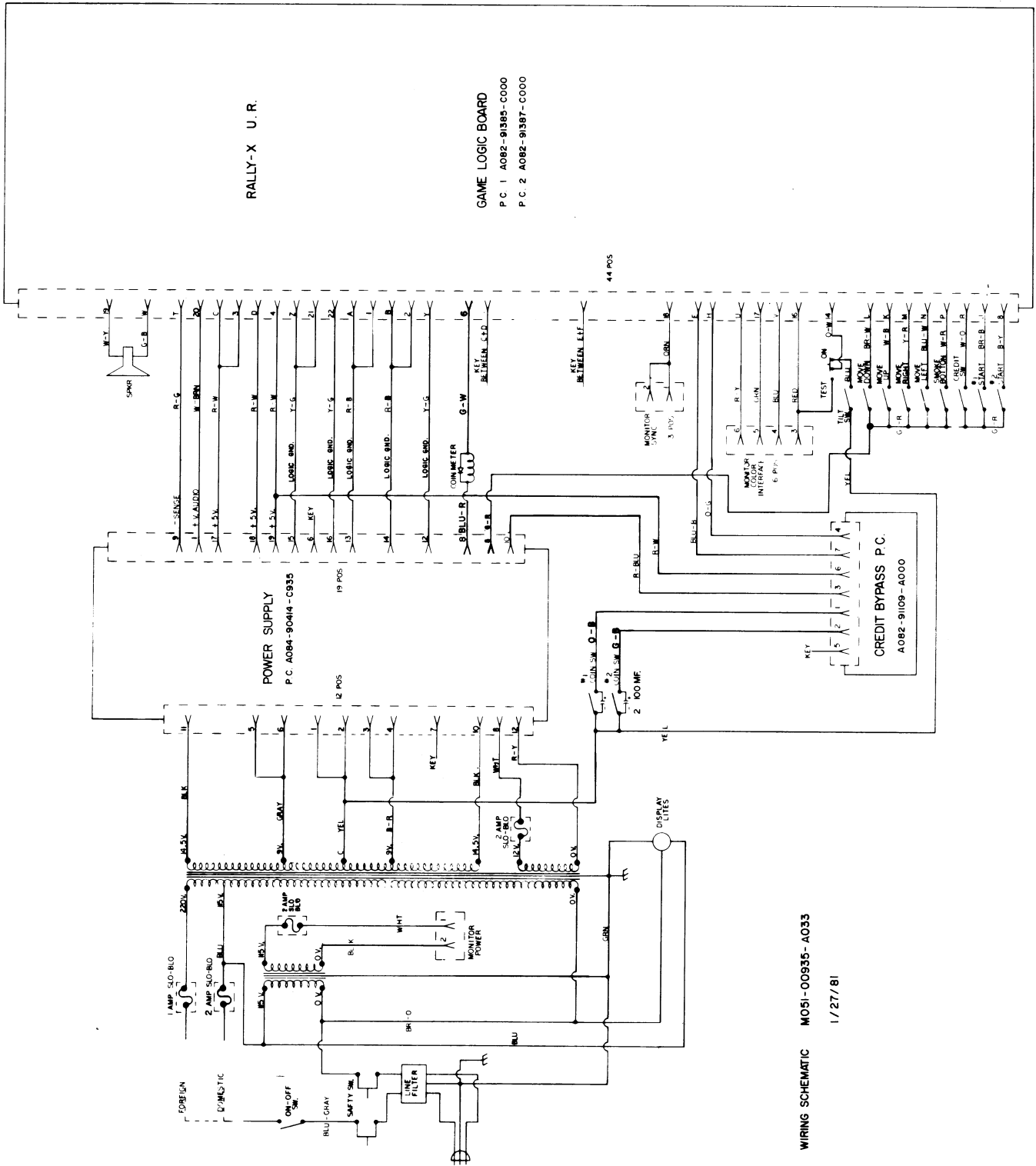
PART NO

A082-91348-C000

REVISIONS



REVISIONS		MIDWAY MFG. CO.	
		FRANKLIN PK ILL	
M051-00932-C029		USED ON	PAC-MAN
		NO REQ D	
SCHEMATIC DIAGRAM		PART NO	
CREDIT MULTIPLIER		A082 - 91348 - C000	
DO NOT SCALE DWG	HEAT TREAT	MATL	
DIM TOLERANCES UNLESS SPECIFIED	DATE	DRN	
	10/23/80		



WIRING SCHEMATIC MOSI-00935-A033

1 / 27 / 81

RALLY-X U.R.

GAME LOGIC BOARD  
P.C. 1 A082-9185-C000  
P.C. 2 A082-9187-C000

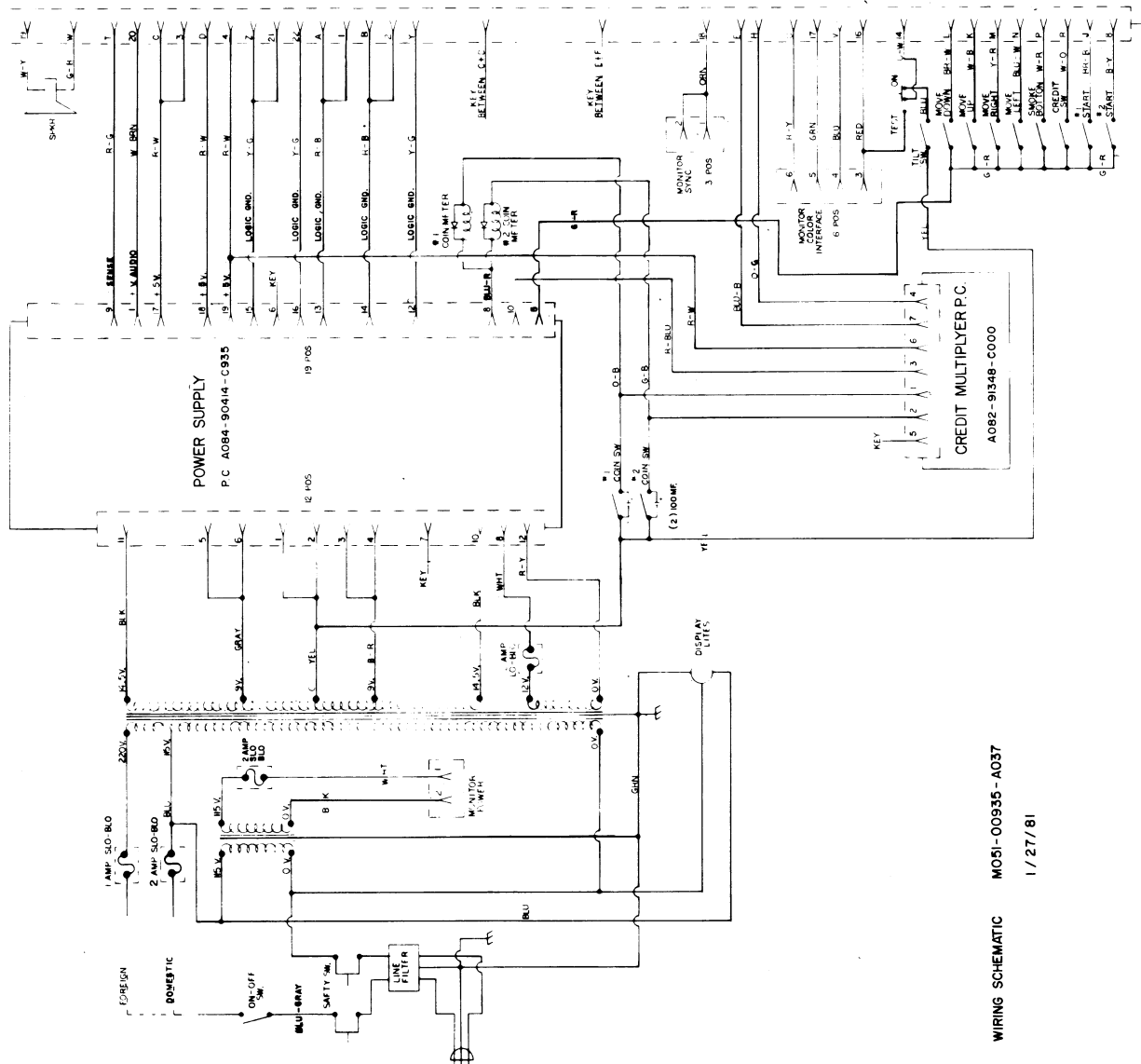
44 POS



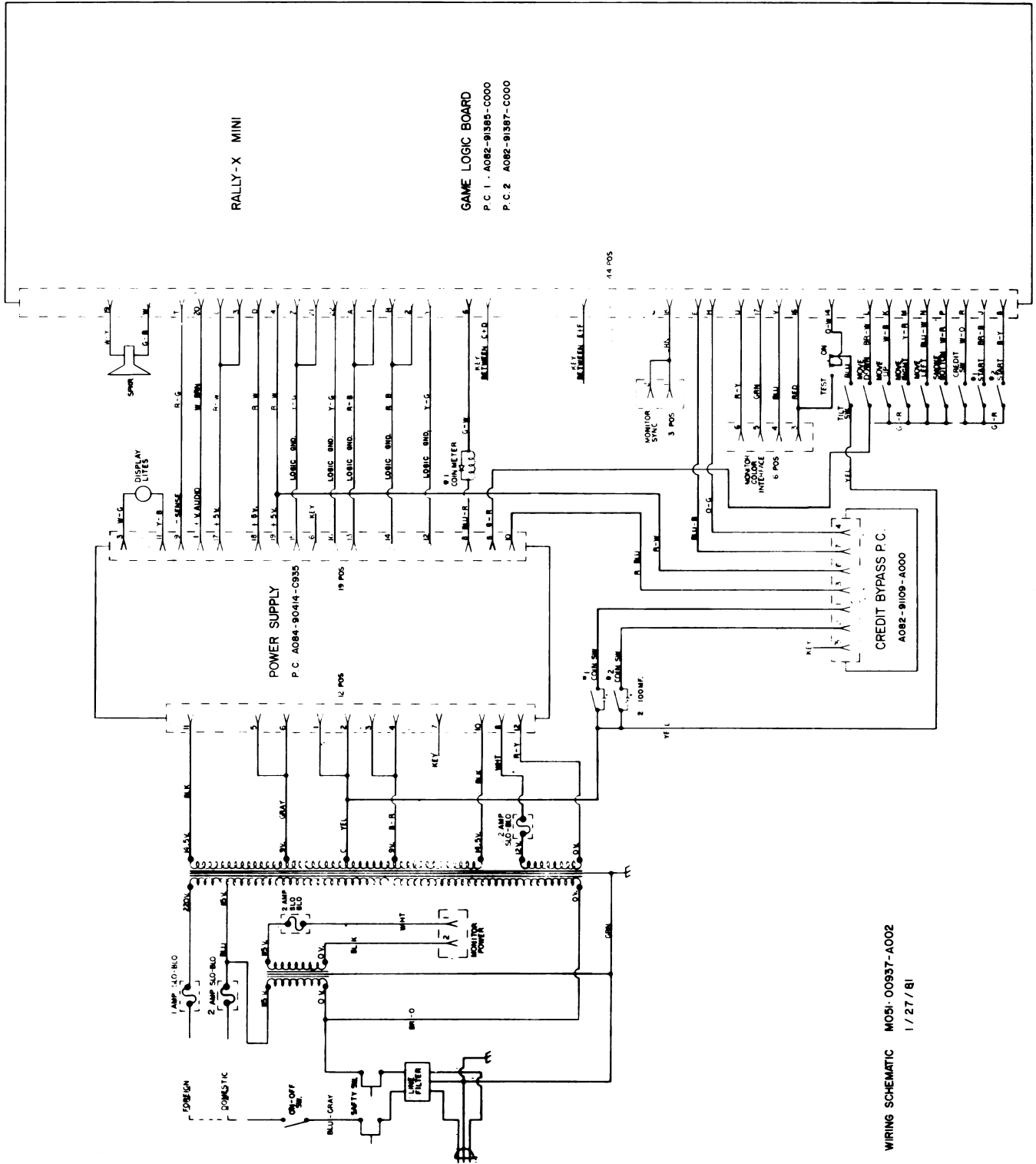
RALLY-X U.R.

GAME LOGIC BOARD  
P.C.1 A082-91385-C000  
P.C.2 A082-91387-C000

44 P.C.S.



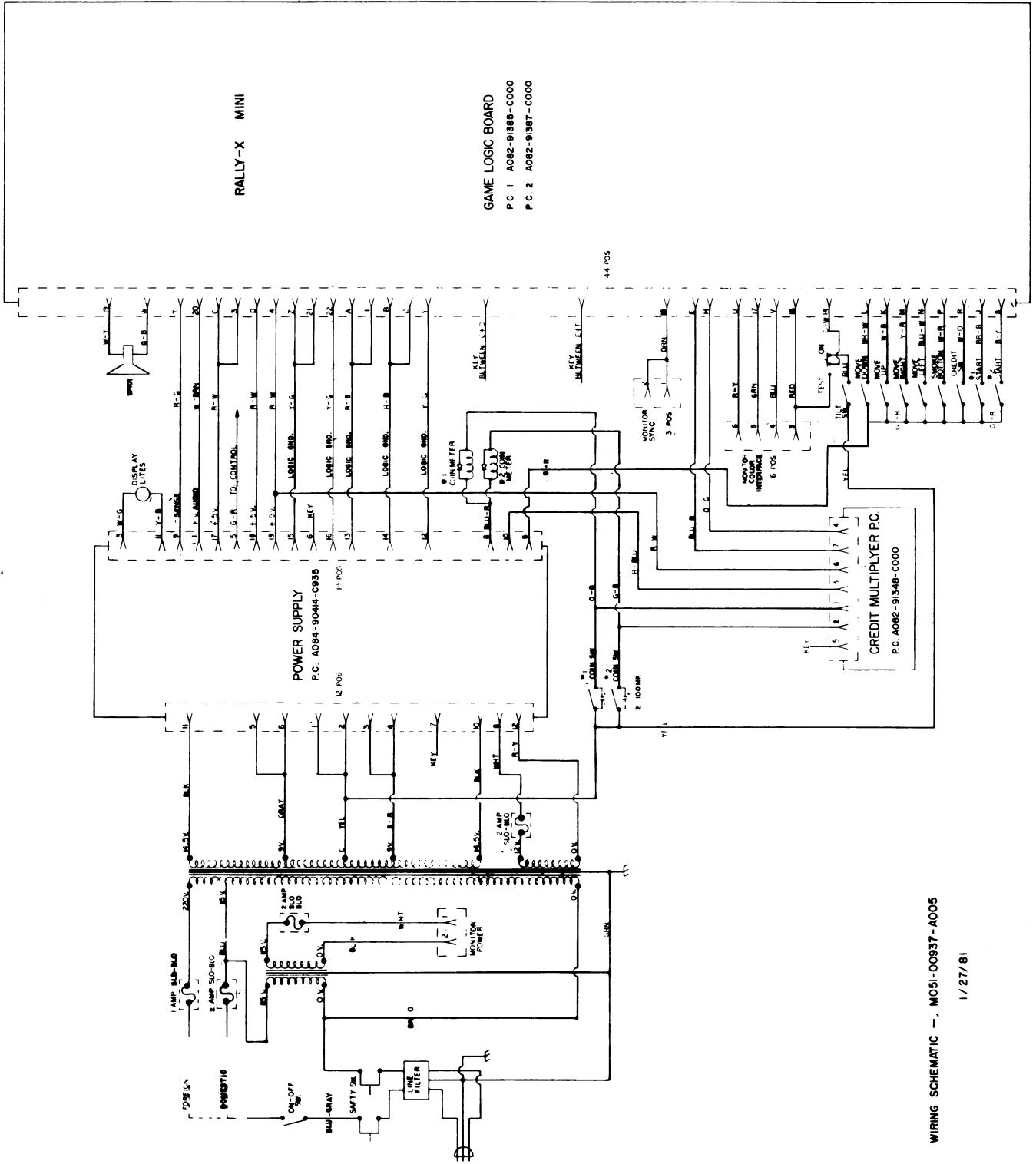
WIRING SCHEMATIC MOSI-00935-A037  
1/27/81



WIRING SCHEMATIC MOSI-00937-A002  
1 / 27 / 81

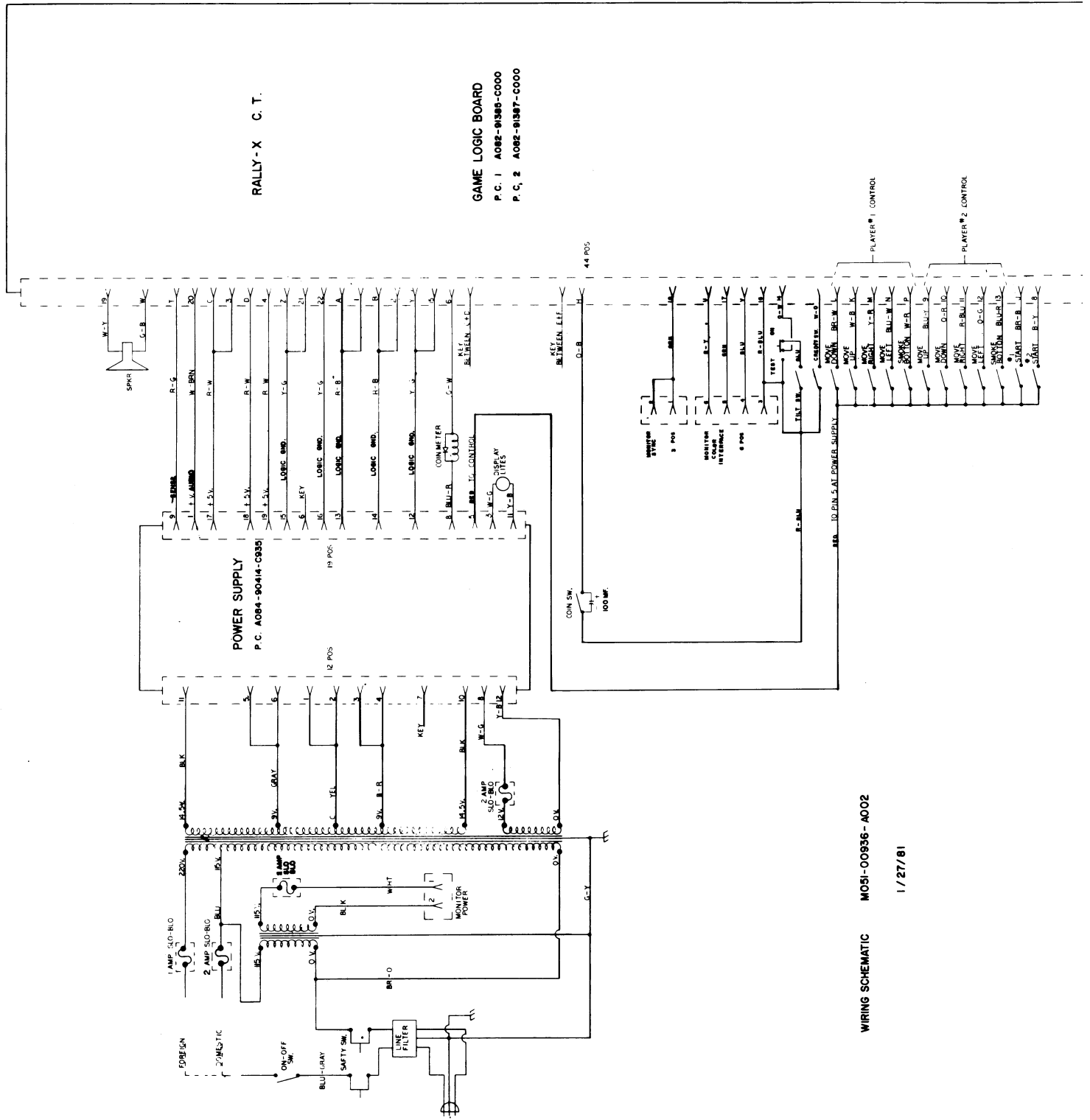
RALLY-X MINI

GAME LOGIC BOARD  
 P.C. 1 A082-91385-C000  
 P.C. 2 A082-91387-C000



WIRING SCHEMATIC - , M051-00937-A005

1/27/81



RALLY - X C. T.

GAME LOGIC BOARD  
P.C. 1 A082-91360-C000  
P.C. 2 A082-91367-C000

WIRING SCHEMATIC MOSI-00836-A002  
1/27/81