

RAMPAGE U.R.

3 PLAYER

Bally

MIDWAY MFG CO

10601 W Belmont Avenue
Franklin Park, Illinois 60131
U.S.A.



Phone: (312) 451-9200 Cable Address MIDCO Telex No.: 72-1596

0E36-00300-0000

WARNING

THIS GAME MUST BE GROUNDED. FAILURE TO DO SO MAY RESULT IN DESTRUCTION TO ELECTRONIC COMPONENTS.

WARNING: This equipment generates, uses and can radiate radio frequency energy and if not installed and used in accordance with the instruction manual, may cause interference to radio communications. It has been tested and found to comply with the limits for a CLASS A computing device pursuant to SUBPART J of PART 15 of FCC RULES, which are designed to provide reasonable protection against such interference when operated in a commercial environment. Operation of this equipment in a residential area is likely to cause interference in which case the user at his own expense will be required to take whatever measures may be required to correct the interference.

ELECTRICAL BULLETIN: FOR ALL APPARATUS COVERED BY THE CANADIAN STANDARDS ASSOCIATION (CSA) STANDARD C22.2 NO. 1, WHICH EMPLOYS A SUPPLY CORD TERMINATED WITH A POLARIZED 2-PRONG ATTACHMENT PLUG.

CAUTION: TO PREVENT ELECTRIC SHOCK DO NOT USE THIS (POLARIZED) PLUG WITH AN EXTENSION CORD, RECEPTACLE OR OTHER OUTLET UNLESS THE BLADES CAN BE FULLY INSERTED TO PREVENT BLADE EXPOSURE.

ATTENTION: POUR PREVENIR CHOCS ELECTRIQUES NE PAS UTILISER CETTE FICHE POLARISEE AVEC UN PROLONGATEUR. UNE PRISE DE COURANT OU UNE AUTRE SORTIE DE COURANT, SAUF SI LES LAMES PEUVENT ETRE INSEREES A FOND SANS EN LAISSER AUCUNE PARTIE A DECOUVERT.

***Bally*/MIDWAY**
T.M.

Invites You To Use

**OUR TOLL FREE NUMBER FOR
SERVICE INFORMATION CONCERNING THIS GAME, OR ANY
OTHER BALLY/MIDWAY™ GAME YOU NOW HAVE ON LOCATION.**

**CALL US FOR PROMPT, COURTEOUS
ANSWERS TO YOUR PROBLEMS.**

Video or Pinball - Continental U.S. 800-323-7182

***Bally*/MIDWAY**
T.M.

10601 West Belmont Avenue Franklin Park, Illinois, 60131 phone (312) 451-9200

©COPYRIGHT MCMLXXXVI BY BALLY MIDWAY MFG. CO. ALL RIGHTS RESERVED.

NO PART OF THIS PUBLICATION MAY BE REPRODUCED BY ANY MECHANICAL, PHOTOGRAPHIC, OR ELECTRONIC PROCESS, OR IN THE FORM OF A PHONOGRAPHIC RECORDING, NOR MAY IT BE TRANSMITTED, OR OTHERWISE COPIED FOR PUBLIC OR PRIVATE USE, WITHOUT PERMISSION FROM THE PUBLISHER. THIS MANUAL IS FOR SERVICE USE ONLY, AND NOT FOR GENERAL DISTRIBUTION. FOR PERMISSION REQUESTS, WRITE: BALLY MIDWAY MFG. CO., 10601 W. BELMONT AVE., FRANKLIN PARK, IL 60131.

Printed in U.S.A.

SECTION 1

GAME DESCRIPTION, INSTALLATION AND GENERAL GAME OPERATION INSTRUCTIONS

RAMPAGE GAME DESCRIPTION

This game displays giant all-powerful creatures fighting for survival in various city environments, against a continuous onslaught of National Guard and police forces! Each player becomes one of these mighty warriors capable of collapsing skyscrapers into dust and rubble. All three of the creatures are human mutations: an ape (George), a lizard (Lizzie), and a wolf-like creature (Ralph).

The game can be played by one, two or three people. In a one player game, one creature character is controlled by the person playing the game while the National Guard and police forces are controlled by the game itself. In turn, each additional player controls an additional creature character.

Each player controls his character with a joystick, a Jump button (which is also a Game Start button), and a Punch/grab button. Using the joystick, the player character can move left, right, up, or down (4 directions only). Hitting the Jump button while using the joystick enables the character to jump in any of four directions. Hitting the Punch/grab button enables the character to punch and/or grab in any of four directions. On the control panel are three sets of these controls: left side (George), center (Lizzie), and right side (Ralph).

Game play begins for any one player when, after inserting proper coinage, he presses the Jump button of the character of his choice (only one character for each player per game). Three separate newspaper "datelines" appear on the screen, one for each creature. These "datelines" reappear after every rack. Only "datelines" for **ACTIVE** player characters will display information: 1) the day - number (may or may not appear) which indicates the rack number, 2) the name of the city environment, and 3) a message about the creature or a game play hint. Next, the city environment appears on the screen, mainly consisting of high-rise buildings, and now the battle begins. The player character appears in the city where it is attacked by the National Guard and police forces with massive firepower. It must run, jump, climb buildings, and punch its' enemies to stay alive until the end of the rack.

In this initial rack, hazards to the player character are mainly: 1) National Guard helicopters with machine guns and 2) police swat team members moving from window to window of the buildings using rifles and throwing sticks of dynamite. Everytime it is damaged, by getting punched, shot, shocked, or by falling or by being on a collapsed building, it loses "power". This is measured by a "damage" gauge for each creature at the top of the screen. When the gauge reads empty, the mutant creature shrinks back to its' human form which then creeps off of the screen. At this point, the game allows the player a time limit to "buy back in" to preserve his rack position. Provided as a game option, the game operator may also allow the player a short time limit to "buy back in" to protect his point total. If the player "buys in" in time, before the human form leaves the screen, then it will grow into being the creature again. If not, then the same creature will drop back in from a dirigible. Beyond the time limit the game is over for the player.

However, the rack itself ends ONLY when all of the buildings have been destroyed (either by the creature or by swat team members placing charges of dynamite at the base of each building). If the creature has survived to this point, then the game advances to the next rack. If the player character survives to the end of the rack, the power loss is carried over to the next rack. The player scores points by punching or eating the creature's enemies and also by destroying buildings. But due to the continuous power drain caused by damage, the player character MUST find and eat food to restore its' power level. By punching holes in the buildings, the player MAY find Food (increased power), Bonuses (points) or Hazards (decreased power).

| <u>EXAMPLE:</u> | <u>Food</u> | <u>Bonus</u> | <u>Hazard</u> |
|-----------------|-------------|--------------|---------------|
| | Milk | Flower Pot | Cactus |
| | Turkey | TV Set Off | Poison |
| | Hot Toast | Money Bag | Toaster |

The types of Hazards and Bonuses found OUTSIDE of buildings vary and may increase in difficulty in succeeding "city environment" racks.

| <u>EXAMPLE:</u> | <u>Bonus</u> | <u>Hazard</u> |
|-----------------|-------------------|---------------------|
| | Auto (or Truck) | National Guard Tank |
| | Commuter Train | Police Car |
| | Person in Manhole | Storm Cloud |

Another source of game points comes from the player character grabbing a fleeing "townie" from a building window. Two benefits: 1) While holding the "townie", all swat team members disappear from the building windows and 2) accumulating points are scored during the time the townie is held.

For the continuous buy-in feature, hundreds of racks "city environments" have been created.

This game incorporates Bally Midway's JOIN THE ACTION feature.

JOIN THE ACTION - Each set of game controls includes a corresponding start ("Jump") button, which is activated independently. This allows a person, after inserting the proper coinage, to begin play at any time including while the other sets of game controls are in use.

GENERAL INSTRUCTIONS

FOR

RAMPAGE - 3 PLAYER - U. R.

INSTALLATION

1. Remove keys from the taped coin return slot and unlock to open the coin box door.
2. Remove four (4) "CABINET LEVELING LEGS" from inside the coin box.
3. Tip the cabinet to the side and remove the shipping cleats from its bottom.
 - Locate the threaded holes - one in each corner - and install the "CABINET LEVELING LEGS" in them.
 - Level the cabinet.
 - When finished, the cabinet should be stable in the upright position.
4.
 - Unlock and remove the rear access door to gain access to the 3-pronged line cord. Reinstall the rear access door.
5. Connect the 3-pronged line cord to a 3-slot A.C. wall outlet **to insure proper grounding.**
6. The power ON/OFF switch is located:
UPRIGHT MODEL: On top to the right rear of the cabinet as you face the cabinet.

TO SERVICE THE CONTROL PANEL

1. UPRIGHT MODEL:
 - **Turn power to the game off.**
 - The control panel is held in place by two (2) latch clamps which provide constant pressure on the strikes.
 - They can be reached through the coin door.
 - To release the clamps, lift up and toward the center of the control panel.
 - Once they are released, unhook them from their strikes.
 - Swing out the control panel on it's hinge against the cabinet front for servicing.
 - To resecure the control panel, reverse this procedure.

NOTE: To remove the control panel for **bench-servicing only:**

- With the control panel in it's open position, disconnect it from it's cabling.
- Remove the screws which secure the continuous hinge to the cabinet.
- The control panel is now loose and may be bench serviced.
- To reinstall the control panel, reverse this procedure.

REMOVAL OF THE VIEWING GLASS

1. UPRIGHT MODEL:

NOTE: To accomplish this, the hinged control panel **MUST** swing open to rest against the cabinet front. See the "TO SERVICE THE CONTROL PANEL-UPRIGHT MODEL" procedure.

- **Turn power to the game off** and swing open the hinged control panel. This frees the viewing glass so it can be removed.

- By putting your fingers in the slot in the middle of the main-display-glass support, the viewing glass can be removed as follows:
 - 1) Lift the glass up.
 - 2) Swing the bottom edge of the glass out slightly forward.
 - 3) Drop the glass down so that its' top edge is slightly below the bottom edge of the speaker grille.
 - 4) Now, holding the glass by its' top edge and bottom edge, lift up and out.
- To reinstall the viewing glass, reverse this procedure.

REMOVAL OF THE HEADER (ATTRACT) GLASS AND/OR THE FLUORESCENT LIGHT ASSEMBLY AND/OR THE SPEAKER(S)

1. UPRIGHT MODEL:

- **Turn the power to the game off.**
- Removal of the header (attract) glass:
 The glass is held in place by the speaker grille at the bottom and a retaining bracket at the top.
 The retaining bracket is secured to the cabinet top by five tamper-resistant screws. Remove these screws by using a special wrench provided in the Hardware and Bag Assembly.
 Remove the retaining bracket and slide up the header glass. This exposes the fluorescent light assembly.
 The fluorescent light tube may be replaced at this time.
*** WARNING: If you drop a fluorescent tube and it breaks, IT WILL IMplode!**
Use care in handling.
 To reinstall the header glass, reverse this procedure.
- Removal of the fluorescent light assembly (see picture on page 2-9):
Be sure the power to the game has been turned off.
 Disconnect it from it's power cable.
 Remove the fluorescent light assembly's three mounting screws and then remove the assembly from the cabinet.
 To reinstall the fluorescent light assembly, reverse this procedure.
- Removal of the speaker(s):
Be sure the power to the game has been turned off.
 Remove the header glass and disconnect cabling from the speaker(s).
NOTE: To remove one or both speakers, it is NOT required to remove the speaker grille.
 The grille is held to the cabinet with tamper-resistant screws. Each speaker is secured to the wooden speaker panel by two carriage bolts and two nuts. Remove the speaker(s) by removing the nuts and sliding the bolts out of the grille.
 To reinstall the speaker(s), reverse this procedure.

VOLUME CONTROL POT / OPTION SWITCH LOCATIONS

The volume control pot is located, along with the credit switch and the self-test switch, just inside the cabinet on the right side of the coin door frame. The option switch is located as shown in the attached Monoboard reference drawing. For adjustment, it can be reached through the game's rear access door.

To make the sounds louder, turn the volume pot clockwise as you face it.

To make the sounds less loud, turn the volume pot counterclockwise as you face it.

SELF-TEST MODE

The Self-Test mode is a special mode for checking the game switches and computer functions. It is the most complete way of checking for proper game operation and is quite easy to use.

The Self-Test mode may be entered at any time and from any mode of operation. Simply locate the black slide switch inside the Coin Box compartment and slide it to the Self-Test position. With this switch in the Self-Test position, activate the slam switch located on the Coin Door. The game will enter the Self-Test mode immediately and display the following test menu....

1. SELF DIAGNOSTICS
2. SWITCHES & SOUNDS
3. GRID DISPLAY

TO POSITION CURSOR, MOVE MIDDLE JOYSTICK UP OR DOWN.
TO EXECUTE TEST, PUSH MIDDLE "JUMP" BUTTON.

1. SELF DIAGNOSTICS: This test is designed to effectively locate and identify any malfunction of the on-board computer. When selected, the game enters this mode immediately and begins scanning the memory stored in rom and ram. If a defective component is found during the scan, that component and its location will be displayed on screen. It will take about 15 seconds to perform the entire test.
2. SWITCHES & SOUNDS: The SWITCHES portion of this test is designed to confirm the operation of all player inputs and devices in the game. For example, when you wish to test the coin switches on the coin door, you would enter this test and activate the coin switches. If the switches are operating properly, the screen will display the words COIN CHUTE 1 or COIN CHUTE 2 depending on which coin switch has been activated. All inputs, pin controls, service switches, etc. may be tested in the same manner. To exit this test, activate the coin door slam switch.

The SOUNDS portion of this test will cause a unique sound to be emitted for every switch that be manually activated in the game except for: 1) option dipswitches and 2) switches of joysticks. If the test detects that the game's sound board is defective, then No Sounds will be emitted.

3. GRID DISPLAY: This test was designed to display a crosshatch pattern used in adjusting the color monitor. This pattern may be used to adjust convergence, color balance, vertical linearity, and vertical/horizontal size. To exit this test, activate the coin door slam switch.

IMPORTANT NOTE: There is **NO** battery back up provided for this game. All logic & memory functions will be retained thru dip switch settings.

RAMPAGE U. R.

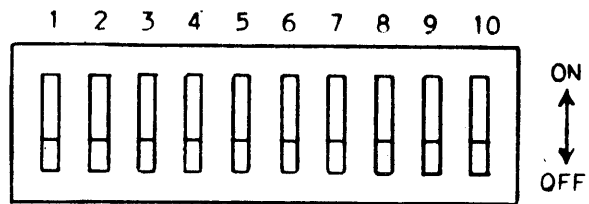
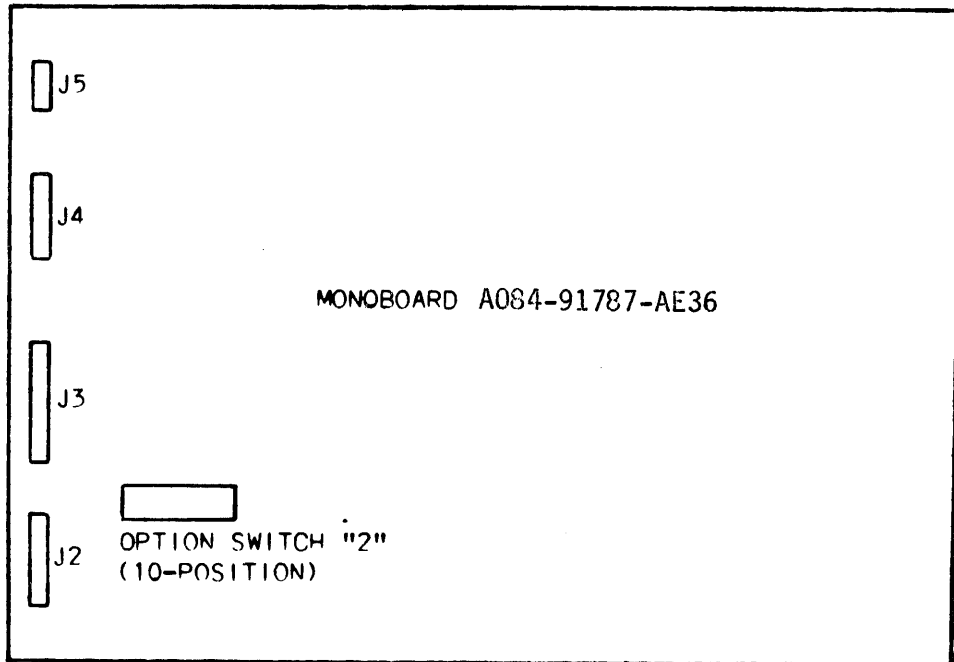
OPTION SWITCH SETTINGS

//////////////////// SWITCH NO. 2 - AT A13 - LOCATED ON MONOBOARD //////////////////////

| DURING GAME PLAY: | <u>SW#1</u> | <u>SW#2</u> | <u>SW#3</u> | <u>SW#4</u> | <u>SW#5</u> | <u>SW#6</u> | <u>SW#7</u> | <u>SW#8</u> | <u>SW#9</u> | <u>SW#10</u> |
|---|-------------|-------------|-------------|-------------|-------------|-------------|-------------|-------------|-------------|--------------------------|
| | | | | | | | | | NOT USED | |
| DIFFICULTY LEVEL 1 FACTORY SETTING DIFFICULTY LEVEL 0-EASY DIFFICULTY LEVEL 2-ADVANCED | OFF | OFF | | | | | | | | |
| | ON | OFF | | | | | | | | |
| | OFF | ON | | | | | | | | |
| * SCORE OPTION - ON SCORE OPTION - OFF | | | | | | | | | OFF | ON |
| | | | | | | | | | ON | |
| REGULAR PLAY FREE PLAY | | | | | | | | | OFF | ON |
| | | | | | | | | | ON | |
| 1 COIN / 1 CREDIT 2 COINS/ 1 CREDIT 1 COIN / 2 CREDITS | | | | | | OFF | OFF | | | |
| | | | | | | ON | OFF | | | |
| | | | | | | OFF | ON | | | |
| ATTRACT SOUNDS NO ATTRACT SOUNDS | | | | | | | | | OFF | ON |
| | | | | | | | | | ON | |
| GAME PLAY ** RACK ADVANCE | | | | | | | | | OFF | ON |
| | | | | | | | | | ON | |
| NORMAL VIDEO FREEZE VIDEO | | | | | | | | | | OFF |
| | | | | | | | | | | ON |
| * ALLOWS PLAYER TO RETAIN POINT TOTAL WHEN HE "BUYS BACK IN" WITHIN A FIXED TIME LIMIT. | | | | | | | | | | |
| ** SERVICE BUTTON ADVANCES RACK | | | | | | | | | | |
| FACTORY SETTING - ALL LOGIC SWITCHES SET IN THE "OFF" POSITION | | | | | | | | | | PART NO. M051-00E36-B008 |

P.C. BOARD REFERENCE DRAWING

FOR MONOBOARD SYSTEM



INTRODUCTION

This manual offers generalized troubleshooting procedures for common types of malfunctions which can be applied to most video games. We will not attempt to give you specific instructions for troubleshooting particular games because this would involve hundreds of pages of more repetitive instructions, differing only in the specific details of each game.

The most common problems occur in harness components such as the coin acceptor, player controls, interconnecting wiring, etc. These areas are covered in moderate detail.

The TV Monitor and Game Logic Printed Circuit Boards (PCB's) provide their fair share of problems too, but not to the extent of the harness and its component parts.

As you already know, the Game Logic PC Boards are complex devices. Each contains a great number of different interrelated circuits. The major changes which give each game its own particular individuality are accomplished in the EPROMS and other Integrated Circuit devices that are installed on each of these PC Boards.

GENERAL TROUBLE SHOOTING SUGGESTIONS

The first step in troubleshooting is to correctly identify the malfunctions symptoms. This includes not only the circuits or features malfunctioning, but also those still operational. A carefully trained eye will pick up other clues to what's wrong as well. For instance, a game in which the computer functions fail completely just after money was collected may have a quarter shorting the PCB traces. Often an experienced troubleshooter will be able to spot the cause of a problem even before opening the cabinet.

After all the clues are carefully considered, the possible malfunctioning areas can be narrowed down to one or two good suspects. Those areas can be examined by a process of elimination until the cause of the malfunction is discovered.

HARNESS COMPONENT TROUBLESHOOTING

Typical problems falling in this category are coin and credit problems, power problems, and failure of individual features.

NO GAME CREDIT - - For example, a prospective game player inserts a quarter or token and is not awarded a game. The first thing to check is whether or not the quarter or token is returned. If it was returned, the malfunction most certainly lies in the coin acceptor itself. First, use a set of test coins (both old and new) to ascertain that the player's coin is not undersize or underweight. If your test coins are also returned, coin acceptor servicing is indicated. Generally, the cause of this particular problem is a maladjusted magnet gate. Normally, this will mean slightly closing the magnet gate by turning the adjusting screw out a bit.

If the quarter or token is not returned and there is no game credit, the cause of the malfunction may be in one of several areas. First, try operating the coin return button; if the coin is returned, the problem is most likely in the magnet gate. Enlarge the gap according to the coin acceptor manufacturer's service procedures. If this does not cure the problem, remove the coin acceptor, clean it, and perform the manufacturer's suggested major adjustment procedure.

If the trapped coin is not returned when the wiper lever is actuated, you may have an acceptor jammed by a slug, gummed up with beer, a jammed coin chute, or mechanical failure of the acceptor mechanism. In this case, first check for the slug that will generally be trapped against the magnet. If a slug is found, simply remove it and test the acceptor. If the chute is blocked, remove the acceptor and remove the jammed coins. If there is actual failure of the acceptor, remove the unit and repair as indicated by the acceptor manufacturer's service procedures.

If the coin is making its way through the acceptor (that is, falling into the coin box), yet there is still no game credit, you either have a mechanical failure of the coin switch or electrical failure of the coin and credit circuits. The first place to begin is by checking the coin switch. Most of these switches are the make/break variety of micro switch. They are checked for continuity between the "NO", "NC", and "C" terminals. When **not** actuated, the "NC" and "C" terminals should be continuous and the "NO" terminal open. When actuated, the "NO" and "C" terminals should be continuous and the "NC" terminal open. If the coin switch checks good, inspect the solder connections to the coin switch terminals to be sure there is good contact at this point. If necessary, use a continuity tester and check from the terminal lug on the switch to the associated PCB trace. This will tell you if there is a continuous line all the way to the credit circuit.

If the coin switch wires do check good, the problem is in one of the game logic boards -- most likely in the coin and credit circuitry.

If you do get a game credit when a coin is deposited, but the game will not start when the one or two player start button is pressed, there may be a problem in the start switch, the interconnecting wiring, or the game logic boards. First, check the switch. If the switch is OK, proceed to check the wiring. Again, make sure you go from the terminal lug on the switch to the PCB trace. This way, you will check the terminal contact as well as the PCB edge connector contact. If the wiring is continuous, proceed to check the PCB credit circuit. If not, check each section of the wiring, until the discontinuity is located. If the wiring is OK, the problem must lie in the game's logic boards.

TRANSFORMER AND LINE VOLTAGE PROBLEMS

Your game **MUST** have the correct line voltage to operate properly. If the line voltage drops too low, one of the game's logic circuits will disable the credit acceptance circuit. The point at which the game's logic circuits will fail to function is approximately 105 volts AC.

Low line voltage may have many causes. Line voltage normally fluctuates a certain amount during the day as the total usage varies. Peak usage times occur mainly at dawn and/or dusk. So if your game's problem seems to be related to the time of day, this may be a factor. A large load connected to the same line as the game (such as a large air conditioner or other device with an exceptionally large electric motor) may drop the line voltage significantly when starting up. This drop can result in an intermittent credit problem. In addition, poor connections in the location wiring, plug, or line cord may also cause a significant drop in power. Cold solder joints in the game's harness, especially in areas like the transformer connections, interlock switch, or fuse block, may also produce the same results, although probably on a more permanent basis.

Sometimes location owners (especially in bars) replace light switches with dimmer rheostats, and the game is sometimes on the same line. Obviously, the voltage available to the game is going to drop dramatically when the dimmer is turned down.

In any case, the way to check for proper line voltage is with your VOM. Set the VOM to the 250 VAC scale and stick the probes into the wall outlet the game was connected to. If it's OK here, check the transformer primary connections. If you do not get 117 VAC, examine the solder joints on the transformer, fuse block, and interlock switch. If you do get 117 VAC, the problem must be either in the transformer, harness connections, or in the PCB power supply.

If you suspect the transformer, check its secondaries with the VOM set to the 50 VAC scale and correlate the readings with the legend on the side of the transformer. The transformer must also be correctly grounded, so check the ground potential as well, especially if there is a hum bar rolling up or down the Monitor screen.

NO POWER, NO PICTURE -- If the Monitor screen is completely dark, first look in back of the Monitor to see if the CRT filament is glowing. If it is, try adjusting the brightness control. If no luck here, put your ear near the Monitor and listen for the high-pitched B+ hum produced by the flyback transformer. If you get the hum but no picture, and you have tried adjusting the brightness, major Monitor servicing is indicated.

If the monitor seems completely dead, check the rest of the game to see if it has power. If it doesn't, go directly to the wall outlet and check there. If OK there, check the game fuse(s), interlock switch, and interconnecting wire lengths.

Sometimes it is difficult to tell if a slow-blow fuse has blown. If in doubt, check it using any of the VOM "R" scales.

HARNESS PROBLEMS -- Other harness problems include blowing fuses and malfunctioning controls. The repeating blown-fuse problem can sometimes be quite exasperating to solve. Short circuits have the tendency to occur in areas almost impossible to find. First, try inserting a new fuse as old fuses age and sometimes blow without cause. If the new fuse also blows, you definitely have a short.

The best way to approach this problem is by disconnecting devices that may be causing the problem, such as the TV Monitor, the various PCB's one at a time, and the isolation transformer. Disconnect the devices by **FIRST turning the game off**, disconnecting it from its wall outlet. Remove the blown fuse and connect your VOM across the terminals of the fuse block (this will save blowing a fuse each time you want to check the circuit). Set your VOM to one of its resistance scales. You should be reading a short. If not you probably have a part that only shorts out after it is heated up -- we'll cover this in a minute. So, assuming you are reading a short on your VOM, disconnect the components from their cabling one at a time, checking the VOM after each one is disconnected. When the short disappears, you have just disconnected the bad component. If all components are disconnected and the short still remains, the problem is in the harness and only patient exploration will reveal its location. Carefully examine all the wiring, looking for terminals that may be touching, metal objects such as coins shorting the connections, or burned insulation. If necessary, use the VOM to check each suspected wire.

OK, now lets assume that you connected your VOM across the fuse block terminals as stated above and you did not read a short. This most likely means that you have a component somewhere in that game that **ONLY** goes bad **AFTER** it heats up. It checks good when its cold. In this case, turn the game off and disconnect **ALL** of its components. Install a known good fuse in the fuse block. And turn the game on. If the fuse does not blow after a few minutes, you know that it is not anything to do with the wire harness. (In this instance, it shouldn't be, actually. But it never hurts to check.) Next, turn the game off again and reconnect **ONE** component. Turn the game back on and wait a few minutes to see if the fuse blows. If it does not, turn the game off again and reconnect another single component.

Turn the game back on and wait a few minutes to see if the fuse blows. Repeat this procedure until the fuse blows. When it does blow, the last component you connected has the part on it that is going bad after it warms up and is shorting out.

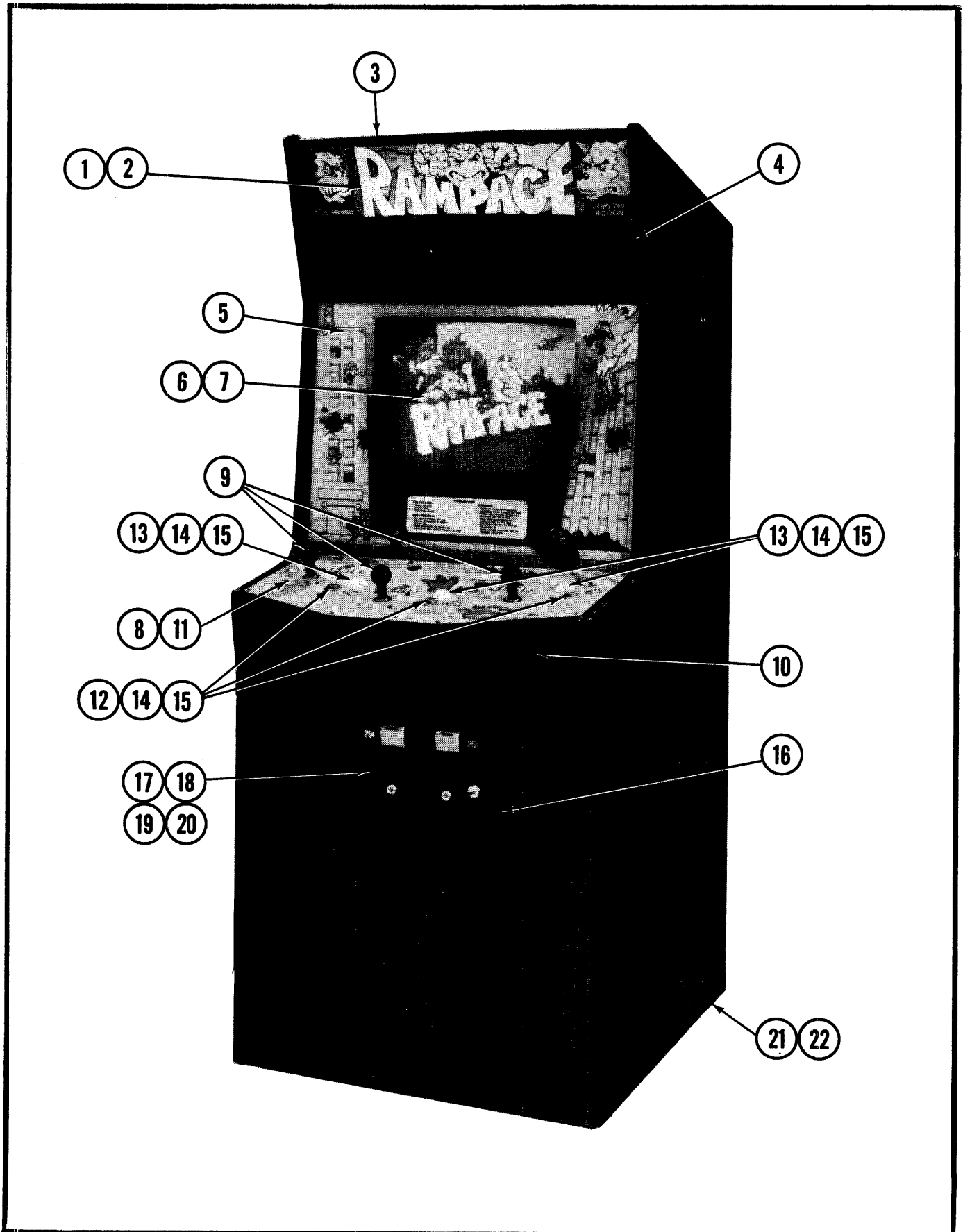
MALFUNCTIONING CONTROLS -- The most common problem here is the bad potentiometer (pot). Typically, a bad pot will cause the image on the screen to jump when it reaches a certain point. The only cure for this one is to install a new pot.

If a feature that is operated by a switch (for example, joysticks, foot pedals, control panel buttons) does not operate at all, check the switch with a VOM or continuity tester to verify its operation. If the switch does not check good, replace it. If the switch is OK, you should suspect the input to the switch from the PCB. In this case, get out the harness and logic schematics and check to see what kind of input is supposed to be at this switch. In many cases, the input will be +5 volts DC. If so, use the VOM to check its presence with the game turned on. Normally, the switch is used to pull a +5 volt DC line LOW to GROUND or to pull a LOW line HIGH. If the PCB output is missing, check the wire length from the PCB. If you find the signal at the PCB trace, the wire length or connection is at fault. If there is no signal at the PCB trace, begin exploring the PCB using the logic schematics and game manual.

SECTION 2

ILLUSTRATED PARTS BREAKDOWN

RAMPAGE U.R. - 3 PLAYER - FRONT



RAMPAGE U.R. - 3 PLAYER - FRONT PARTS LIST

ORDER BY PART NUMBER ONLY

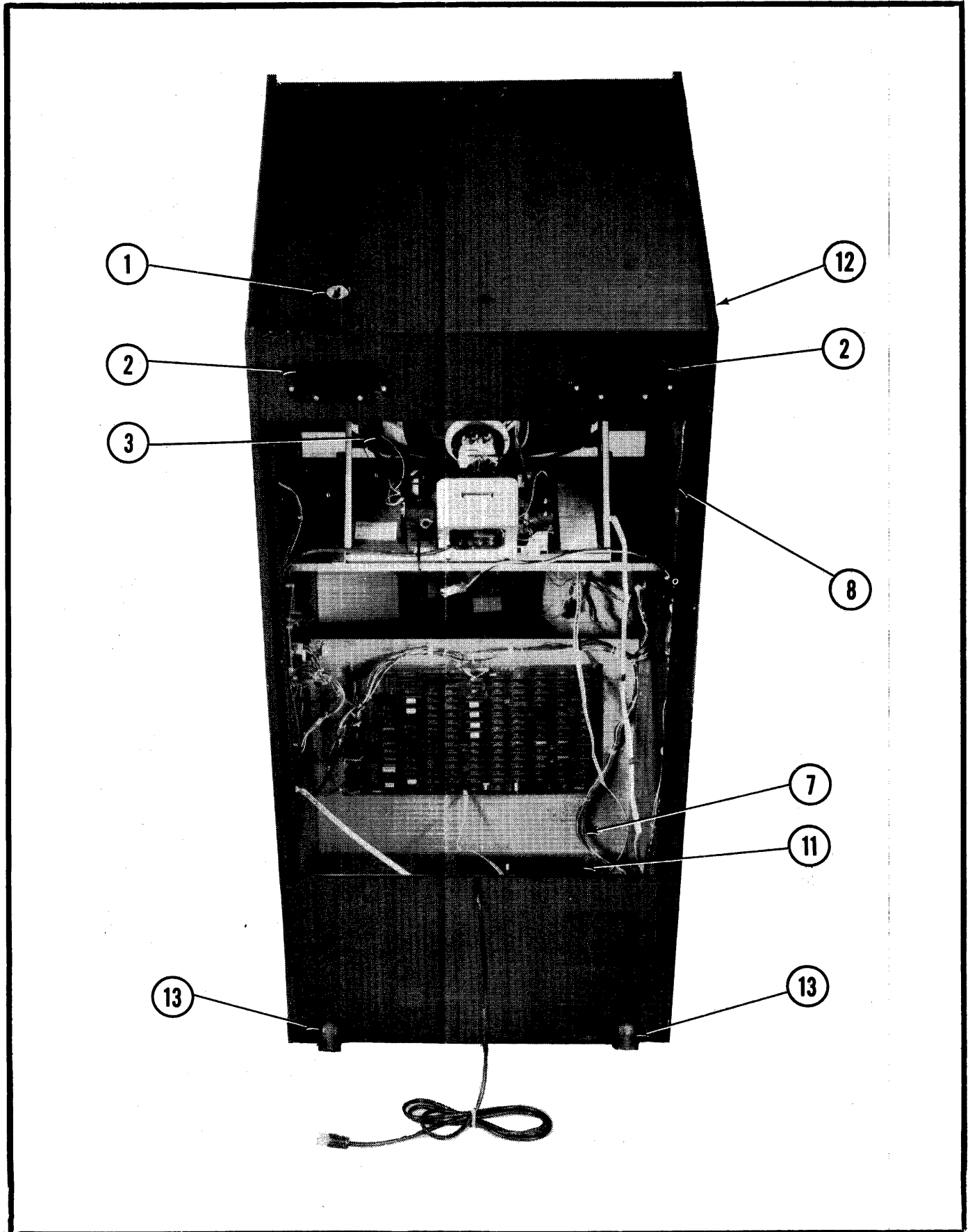
| ITEM | PART NO. | DESCRIPTION |
|------|-----------------|--|
| 1 | 0E36-00900-00XF | HEADER GLASS: SCREENED |
| 2 | A595-00011-0000 | HEADER FLUORESCENT LIGHT ASSY. |
| 3 | 0574-00903-0700 | HEADER RETAINING BRKT. |
| * | 0017-00101-0138 | #8 X 5/8 TORX TAMPER PROOF SCREW (10 REQ'D.) |
| * | 0017-00009-0522 | LONG RAM KEY T-20 (FOR ABOVE SCREW) |
| 4 | 0E36-00102-00XF | BLACK SPEAKER GRILLE |
| * | 0017-00003-0576 | 5-1/4" SPEAKER - 8 OHM, 15W (2 REQ'D.) (NOT SHOWN) |
| 5 | 0017-00042-0314 | BEZEL: 19" INJECTION MOLDED |
| 6 | 0E36-00901-00XF | MAIN VIEWING GLASS |
| 7 | 0017-00003-0465 | WELLS-GARDNER - 19" COLOR DUAL SYNCH HORIZONTAL MTG. MONITOR |
| | AE36-00501-0000 | CONTROL SHELF |
| 8 | 0E36-00501-0000 | CONTROL SHELF |
| 9 | 0017-00009-0645 | JOYSTICK - ASSY. 4/8 - WAY (3 REQ'D.) |
| 10 | AE36-00010-00XF | CONTROL - APRON WELD ASSY. |
| 11 | 0E36-00903-00XF | OVERLAY |
| 12 | 0017-00042-0304 | BUTTON: PUSH: ROUND: RED (3 REQ'D.) |
| 13 | 0017-00042-0300 | BUTTON: PUSH: ROUND: WHITE (3 REQ'D.) |
| 14 | 0017-00032-0093 | PUSHBUTTON SWITCH W/HOLDER, WHITE (6 REQ'D) (NOT SHOWN) |
| 15 | 0017-00103-0054 | 5/8 X 11 PAL NUT (6 REQ'D.) (NOT SHOWN) |
| * | 0017-00009-0534 | BASSICK CLAMP (2 REQ'D.) (NOT SHOWN) |
| * | 0555-00901-0000 | PIN: LOCATING (MOLDED) (8 REQ'D.) (NOT SHOWN) |
| 16 | 0090-00002-04BK | COIN DOOR FRAME: LARGE BLACK DOUBLE |
| 17 | A982-00014-0000 | U.S.A. 25¢ COIN DOOR & CABLE ASSY. |
| * | | NOT PART OF ABOVE ASSEMBLY & MUST BE ORDERED SEPARATELY |

RAMPAGE U.R. - 3 PLAYER - FRONT PARTS LIST (CONT'D.)

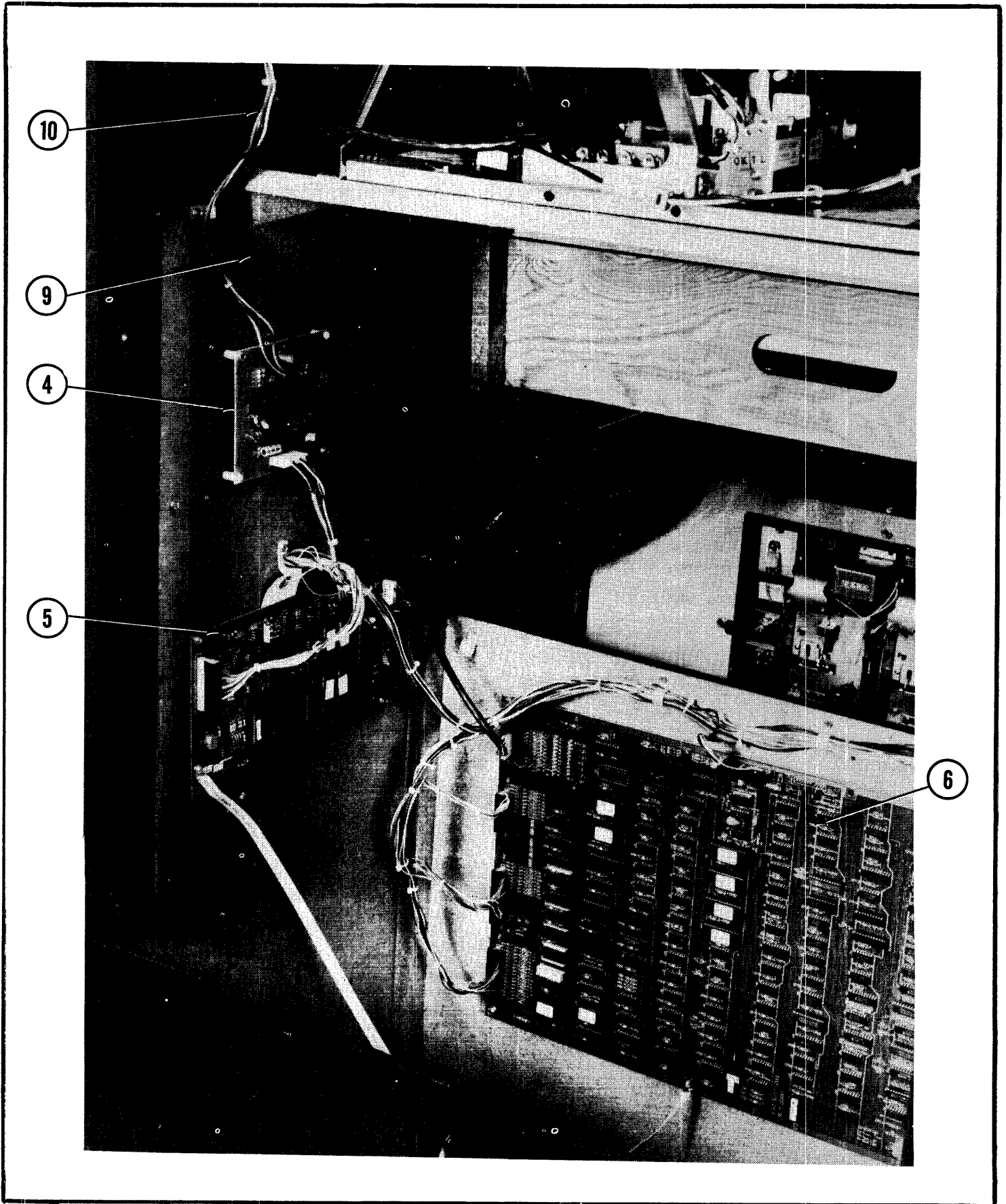
ORDER BY PART NUMBER ONLY

| ITEM | PART NO. | DESCRIPTION |
|------|-----------------|---|
| 18 | 0017-00009-0477 | CASH BOX: MOLDED (NOT SHOWN) |
| 19 | 0950-00009-0477 | COVER: COIN BOX (NOT SHOWN) |
| 20 | 0950-00901-0000 | BASKET: COIN BOX - WIRE (NOT SHOWN) |
| 21 | 0017-00102-0048 | LEG LEVELERS (4 REQ'D.) |
| 22 | 0017-00103-0026 | NUT 3/8 -16 HEX (FOR LEG LEVELERS) (4 REQ'D.) |

RAMPAGE U.R. - 3 PLAYER - REAR ACCESS



RAMPAGE U.R. - 3 PLAYER - REAR ACCESS



RAMPAGE U.R. - 3 PLAYER - REAR ACCESS PARTS LIST

ORDER BY PART NUMBER ONLY

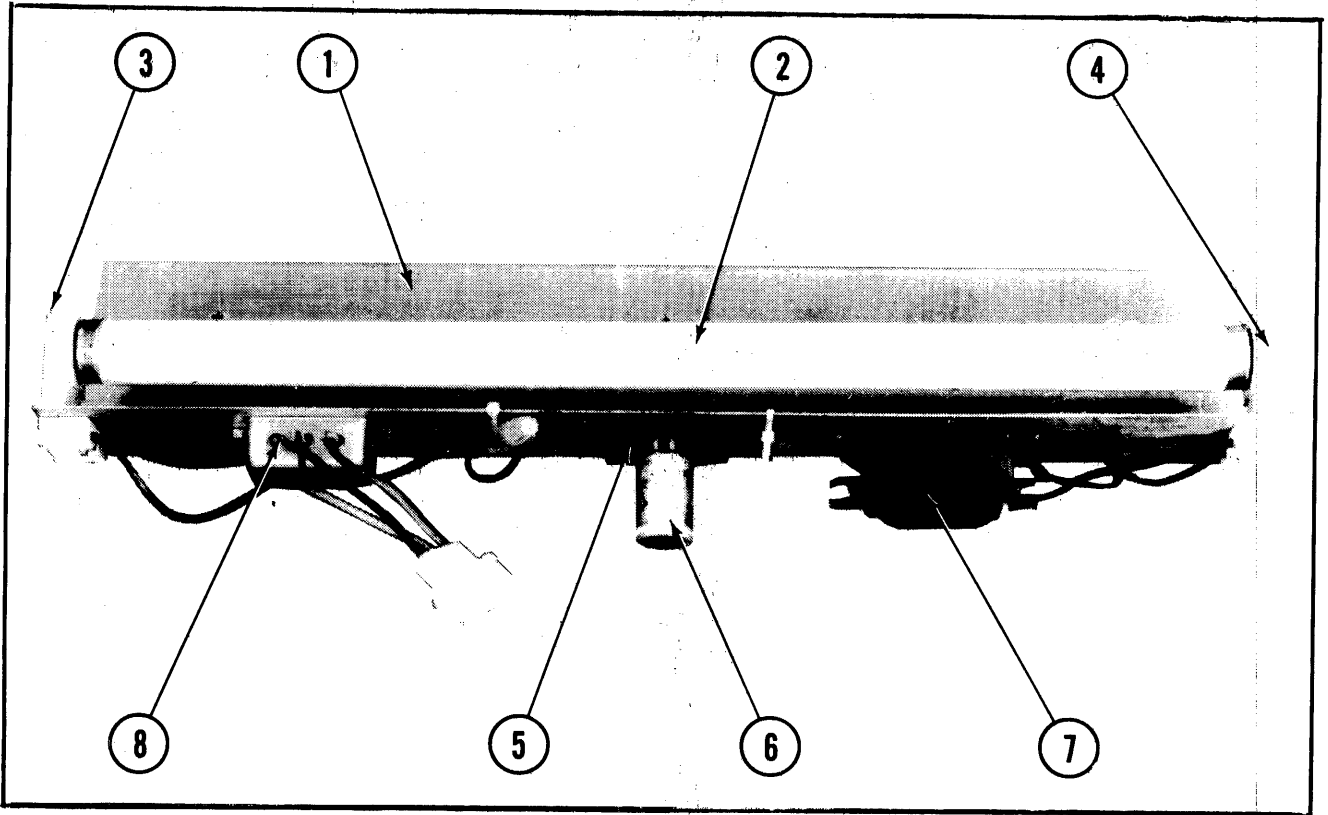
| ITEM | PART NO. | DESCRIPTION |
|-------------|-----------------|--|
| 1 | A945-00062-0000 | ON-OFF SWITCH & PLATE ASSY. |
| | 0017-00032-0105 | SWITCH: 2PST 6 AMP |
| | 0567-00106-0500 | PLATE: MTG. - SWITCH |
| 2 | 0894-00916-0000 | PLASTIC PULL & VENT (2 REQ'D.) |
| 3 | 0017-00003-0462 | WELLS-GARDNER - 19" COLOR DUAL SYNCH HORIZONTAL MTG. MONITOR |
| 4 | AA11-00017-0000 | DUAL POWER AMP P.C.B. W/SPACERS |
| | B084-90910-F000 | DUAL POWER AMP P.C.B. ASSY. |
| | 0017-00042-0320 | SPACER: SELF RETAINING FOR #8 SCREW (4 REQ'D.) |
| 5 | AE36-00012-0000 | SOUNDS GOOD P.C.B. ASSY. |
| | B084-91863-AE36 | PROGRAMMED SOUNDS GOOD P.C.B. |
| | 0017-00042-0320 | SPACER: SELF RETAINING FOR #8 SCREW (4 REQ'D.) |
| 6 | AE36-00011-0000 | MONOBOARD W/SPACERS ASSY. |
| | B084-91787-AE36 | PROGRAMMED MONOBOARD ASSY. |
| | 0017-00042-0320 | SPACER: SELF RETAINING FOR #8 SCREW (6 REQ'D.) |
| 7 | AE36-00006-0000 | MASTER CABLE W/BRKT. ASSY. (INCLUDES FOLLOWING 4 ITEMS) |
| | 0017-00032-0007 | SWITCH: SPDT SLIDE 4 AMP |
| | 0515-00107-0000 | BRKT: CREDIT: TEST-SWITCH: VOLUME |
| | 0017-00032-0051 | BUTTON: SWITCH, RED |
| | 105E-00001-0017 | POT.: 0-1K CBN 1/2W |
| 8 | AE36-00008-0000 | HIGH VOLTAGE CABLE ASSY. |
| 9 | AE36-00002-0000 | VIDEO CABLE ASSY. |
| 10 | AE36-00003-0000 | AUDIO CABLE ASSY. |
| 11 | A945-00059-0200 | POWER CHASSIS: 130VA - SWITCHING W/O SWITCH |
| | AE36-00500-0000 | CABINET ASSY. (INCLUDES ITEMS 12 & 13) |

RAMPAGE U.R. - 3 PLAYER - REAR ACCESS PARTS LIST (CONT'D.)

ORDER BY PART NUMBER ONLY

| ITEM | PART NO. | DESCRIPTION |
|-------------|-----------------|--|
| 12 | 0E36-00500-0000 | CABINET |
| 13 | A961-00007-0000 | CASTER-WHEEL ASSY. (2 REQ'D.) |
| | | ADDITIONAL PARTS LIST |
| | 0E36-00300-0000 | CATALOG: RAMPAGE U.R. - 3 PLAYER |
| | M051-00E36-A007 | TAG: OPTION SWITCH SETTINGS |
| | AE36-00009-0000 | REAR DOOR ASSY. (INCLUDES FOLLOWING 5 ITEMS) |
| | 0E36-00502-0000 | REAR DOOR (WOOD) |
| | 0017-00005-0050 | DOOR LOCK W/2 INDIVIDUAL KEYS |
| | 0017-00005-0209 | LOCK PLATE |
| | 0017-00009-0490 | VENT GRILLE - 5-5/8 SQ. IN. (4 REQ'D.) |
| | 0639-00116-00XF | CAM: OFFSET 30 DEGREES |

**HEADER FLUORESCENT LIGHT ASSEMBLY
PART NO. A595-00011-0000**



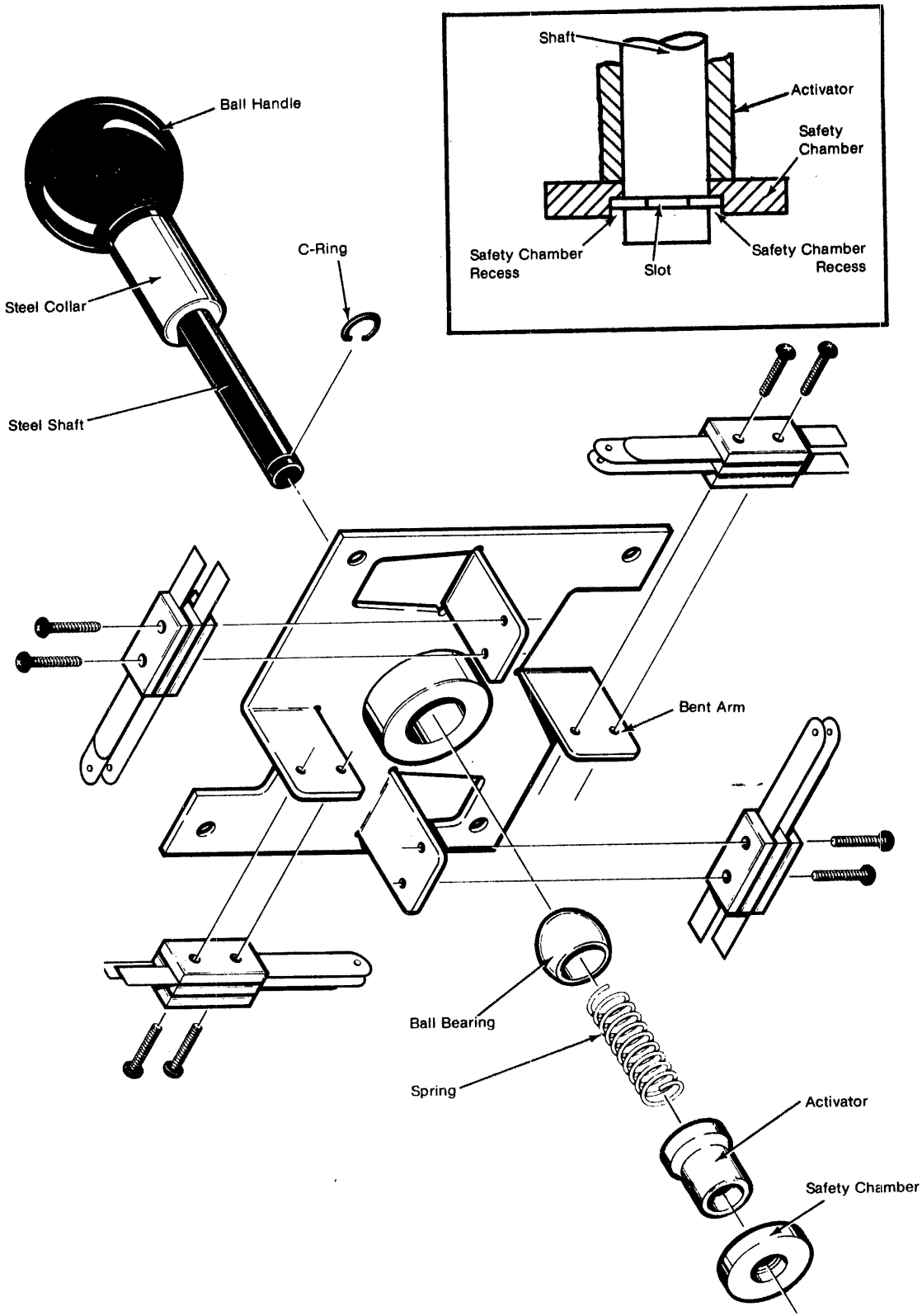
**HEADER FLUORESCENT LIGHT ASSY.-PARTS LIST
PART NO. A595-00011-0000**

ORDER BY PART NUMBER ONLY

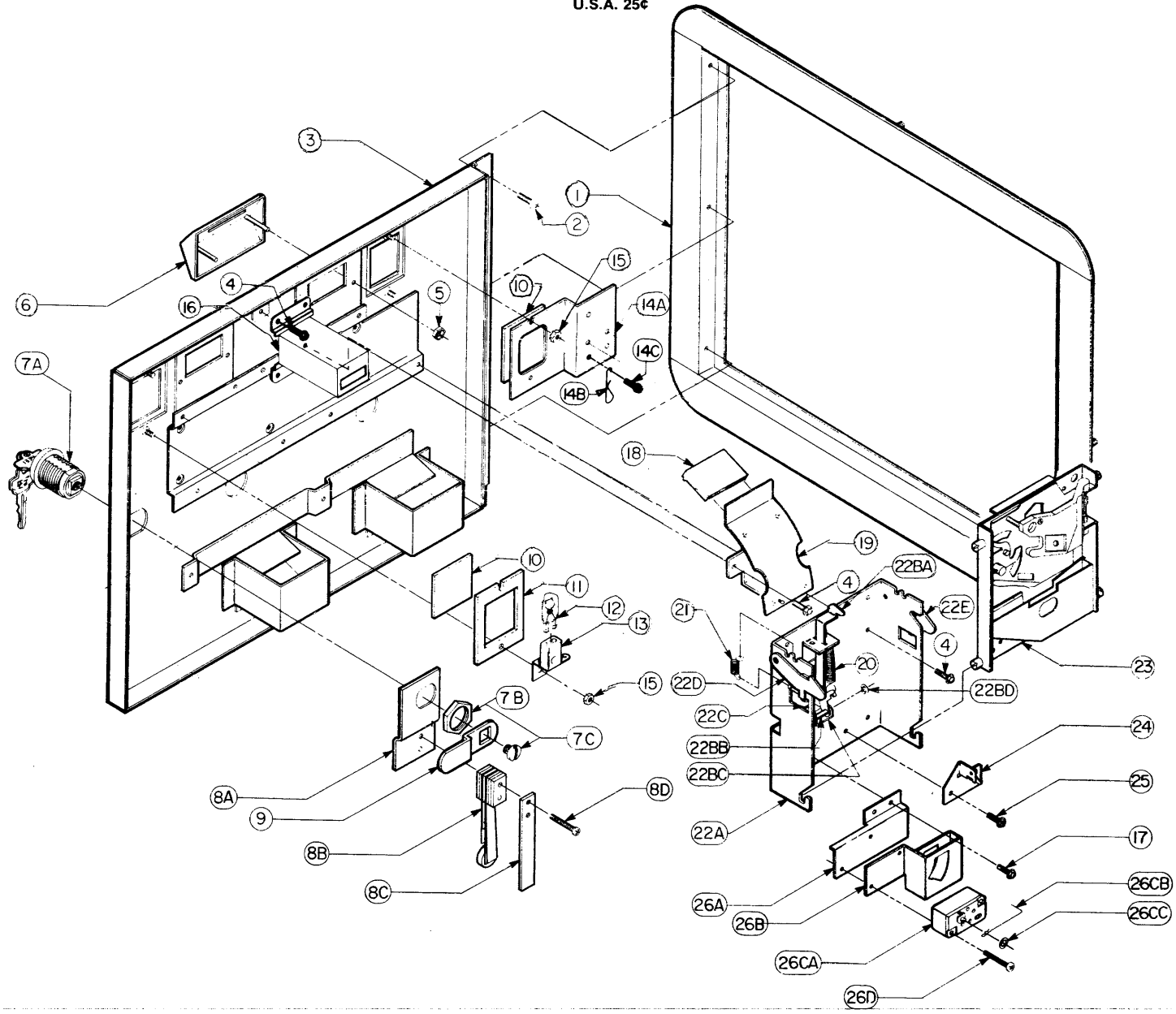
| ITEM | PART NO. | DESCRIPTION |
|------|-----------------|--|
| 1 | 0595-00105-0000 | FLUORESCENT BRKT. |
| 2 | 0017-00003-0043 | 18" COOL WHITE FLUORESCENT LAMP |
| 3 | 0017-00003-0445 | LAMP LOCKS (2 REQ'D.) |
| 4 | 0017-00031-0036 | FLUORESCENT SOCKET (2 REQ'D.) |
| 5 | 0017-00003-0412 | FLUORESCENT STARTER HOLDER W/LEADS |
| | 0017-00101-0347 | #6-32 X 1/2 PHIL. RND. HD. M.S. (4 REQ'D.) |
| 6 | 0017-00003-0019 | FLUORESCENT STARTER |
| 7 | 0017-00003-0026 | BALLAST |
| | 0017-00101-0598 | #8-32 X 5/16 SLT. HEX HD. SCR. (3 REQ'D.) |
| 8 | A961-00042-0000 | LINE FILTER ASSY. (NO LONGER USED) |

Monroe Electronics 4/8-Way Joystick Assembly

Part No. 0017-00009-0645



FRONT DOOR ASSEMBLY
U.S.A. 25¢



FRONT DOOR ASSEMBLY - U.S.A. 25¢
PART NO. A982-00014-0000

FRONT DOOR ASSEMBLY - U.S.A. 25¢ - PARTS LIST
PART NO. A982-00014-0000

ORDER BY PART NUMBER ONLY

| ITEM | PART NO. | DESCRIPTION |
|------|-----------------|---|
| 1 | 0090-00002-04BK | DOUBLE ENTRY COIN DOOR FRAME |
| 2 | 0017-00101-0121 | #6-32 X 5/16 PHIL. TRS. HD. SCR. (3 REQ'D.) |
| 3 | A090-00072-06BK | DOUBLE ENTRY COIN DOOR |
| 4 | 0017-00101-0123 | #8 X 1/4 UNSLOT. HEX HD. SCREW (12 REQ'D.) |
| 5 | 0017-00103-0059 | PUSH NUT (4 REQ'D.) |
| 6 | 0090-00912-0000 | COIN ENTRY PLATE - 25¢ (2 REQ'D.) |
| 7A | 0017-00005-0200 | LOCK - INDIV. KEYED W/2 KEYS |
| 7B | 0017-00103-0079 | 3/4 HEX NUT |
| 7C | 0017-00101-0125 | #10 X 1/4 SLOT. PAN HD. SCREW |
| 8 | A090-00096-0000 | ANTI-SLAM SWITCH & BRKT. ASSY. |
| 8A | 0090-00185-00XF | DOOR TILT SWITCH BRKT. |
| 8B | A090-00095-0000 | DOOR ANTI-SLAM SWITCH |
| 8C | 0090-00126-01XF | SWITCH BACK-UP PLATE |
| 8D | 0017-00101-0155 | #4-40 X 9/16 PHIL. PAN HD. (2 REQ'D.) |
| 9 | 0017-00005-0238 | DOOR CAM |
| 10 | 0090-00903-9500 | 25¢ WINDOW (2 REQ'D.) |
| 11 | 0090-00143-0000 | COIN PLEX RETAINER |
| 12 | 0017-00003-0219 | 12 VOLT LAMP - G.E. #194 (2 REQ'D.) |
| 13 | 0017-00031-0048 | WEDGE SOCKET W/BRKT. (2 REQ'D.) |
| 14 | A090-00100-0000 | CABLE & KEY HOOK BRKT. ASSY. |
| 14A | 0090-00179-0000 | CABLE & SWITCH MTG. BRKT. |
| 14B | 0017-00007-0019 | KEY HOOK |
| 14C | 0017-00101-0123 | #8 X 1/4 UNSLOT. HD. SCR. (2 REQ'D.) |

**FRONT DOOR ASSEMBLY - U.S.A. 254 - PARTS LIST, CONT.
PART NO. A982-00014-0000**

ORDER BY PART NUMBER ONLY

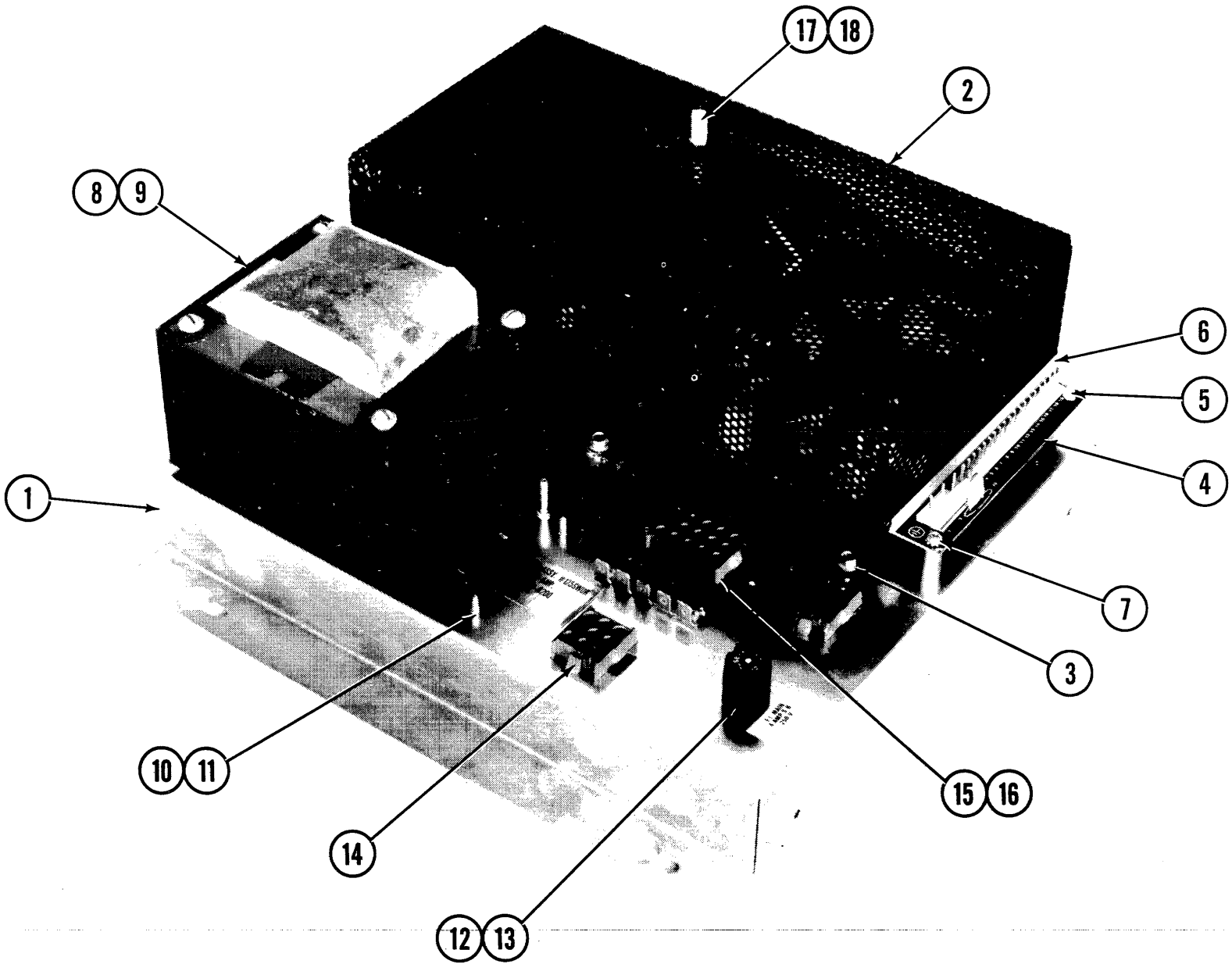
| ITEM | PART NO. | DESCRIPTION |
|------|-----------------|--|
| 15 | 0017-00103-0084 | #6-32 HEX NUT W/SEMS (4 REQ'D.) |
| 16 | A090-00089-0000 | COIN METER W/DIODE |
| 17 | 0017-00101-0124 | #6 X 1/4 UNSLOT HEX HD. SCR. (4 REQ'D.) |
| 18 | 0090-00911-0000 | INSULATOR (2 REQ'D.) |
| 19 | A090-00087-0000 | COIN CHUTE & TOP ASSY. (2 REQ'D.) |
| | A090-00081-00XF | COIN CHUTE & BRKT. ASSY. |
| | 0090-00172-00XF | COIN CHUTE TOP |
| | 0017-00101-0140 | #4-40 X 5/16 PHIL. PAN HD. (3 REQ'D.) |
| | 0017-00007-0162 | COTTER PIN (4 REQ'D.) |
| 20 | 0010-00134-0000 | SPRING (2 REQ'D.) |
| 21 | 0010-00181-0100 | SPRING (4 REQ'D.) |
| 22 | A090-00115-0000 | COIN ACCEPTOR FRAME SUB-ASSY. (2 REQ'D.) |
| 22A | A090-00118-0000 | COIN ACCEPTOR & BUSH. ASSY. |
| 22B | A090-00116-0000 | REJECT LEVER ASSY. (2 REQ'D.) |
| 22BA | 0090-00182-00XF | REJECT LEVER |
| 22BB | 0090-00129-00XF | PIVOT POST |
| 22BC | 0090-00167-00XF | PIVOT LEVER |
| 22BD | 0017-00100-0012 | E-RING |
| 22C | 0017-00007-0083 | 1/8 X 1-5/8 ROLL PIN |
| 22D | 0093-00145-01XF | LATCH - LEFT |
| 22E | 0093-00145-00XF | LATCH - RIGHT |
| | 0017-00072-0036 | 120 X .218 X 7/32 RIVET (2 REQ'D.) |
| | 0090-00910-00XF | REJECT BUTTON |

**FRONT DOOR ASSEMBLY - U.S.A 25¢ - PARTS LIST, CONT.
PART NO. A982-00014-0000**

ORDER BY PART NUMBER ONLY

| ITEM | PART NO. | DESCRIPTION |
|-------------|-----------------|---|
| | 0090-00183-0000 | BUTTON STOP |
| | 0017-00101-0140 | #4-40 X 5/16 PHIL. PAN HD. |
| 23 | 0017-00005-0003 | COIN ACCEPTOR W/STRING CUTTER (2 REQ'D.) (OR) |
| 23 | 0017-00005-0214 | COIN ACCEPTOR W/STRING CUTTER (2 REQ'D.) |
| 24 | A090-00064-0100 | ANTI-PENNY DEVICE (2 REQ'D.) |
| 25 | 0017-00101-0099 | #6 X 1/4 SLT. HEX HD. M.S. (2 REQ'D.) |
| 26 | A090-00077-0000 | COIN GUIDE & SWITCH ASSY. (2 REQ'D.) |
| 26A | 0090-00162-00XF | COIN SWITCH MTG. BRKT. |
| 26B | 0017-00005-0203 | COIN SWITCH CHUTE |
| 26C | A090-00059-0400 | COIN SWITCH & WIRE ASSY. |
| 26CA | 0017-00005-0195 | COIN SWITCH |
| 26CB | 0010-00599-0000 | COIN SWITCH WIRE |
| 26CC | 0017-00007-0015 | PUSH-ON RING |
| 26D | 0017-00101-0147 | #4-40 X 3/4 PHIL. PAN. HD. (2 REQ'D.) |
| | | ADDITIONAL PARTS LIST |
| | 0090-00184-0000 | COIN SWITCH COVER (2 REQ'D.) |

**POWER CHASSIS: 130VA (SWITCHING)
PART NO. A945-00059-0200**



POWER CHASSIS: 130VA (SWITCHING) PARTS LIST
PART NO. A945-00059-0200

ORDER BY PART NUMBER ONLY

| ITEM | PART NO. | DESCRIPTION |
|------|-----------------|---|
| 1 | A945-00057-01XF | CHASSIS SUB-ASSEMBLY |
| 2 | 0945-00117-01XF | POWER SUPPLY COVER |
| 3 | 0017-00101-0123 | 8 X 4 UNSLOT HEX HD. SCREW (8 REQ'D.) |
| 4 | 0017-00003-0543 | SWITCHING POWER SUPPLY - 125VA |
| 5 | 0017-00042-0663 | LOCKING P.C. BRD. SPACER (4 REQ'D) |
| 6 | 0540-00138-2100 | CABLE PROTECTOR - 5" |
| 7 | 0017-00101-0134 | 6-32 X 4 PHIL. ROUND HD. SCREW |
| 8 | MT00-00136-A000 | ISOLATION TRANSFORMER W/O SHIELD ASSY.-115V., 50/60 HZ. |
| 9 | 0017-00103-0061 | 8-32 HEX NUT W/SEMS (4 REQ'D) (NOT SHOWN) |
| 10 | 0017-00003-0114 | LINE FILTER - 5 AMP, 115VAC (NOT SHOWN) |
| 11 | 0017-00101-0067 | 6 X 6 PHL. PAN HD. (2 REQ'D) |
| 12 | 0017-00003-0433 | FUSE HOLDER |
| 13 | 0017-00003-0263 | FUSE MDA, 3AG, 4 AMP, 115 VAC |
| 14 | A945-00030-0600 | CONNECTOR & CABLE ASSEMBLY |
| 15 | 0017-00021-0370 | TERMINAL STRIP |
| 16 | 0017-00101-0140 | 4-40 X 5 PHL. PAN HD. SCREW (2 REQ'D) |
| 17 | 0017-00009-0580 | CAPACITOR ALIGNMENT TOOL |
| 18 | 0945-00912-0000 | ADJ. TOOL HANDLE |
| | | ADDITIONAL PARTS LIST |
| | 115E-00001-0004 | VARISTOR-METAL OXIDE (UNDER CHASSIS) |
| | 0017-00021-1110 | 2 POSITION TERMINAL BARRIER STRIP (UNDER CHASSIS) |
| | 0017-00101-0780 | 6 X 8 PHIL. PAN HD. SCREW (UNDER CHASSIS) |
| | 0017-00103-0084 | 6-32 HEX NUT W/SEMS (UNDER CHASSIS) |

BALLY/MIDWAY'S RAMPAGE (3 PLYR)

U.R. #0E36

ROM/EPROM PART NUMBERS

UNPROGRAMMED MONOBOARD A084-91787-D000 or A084-91787-E000
PROGRAMMED MONOBOARD A084-91787-AE36

| POS. | MIDWAY PART NUMBER |
|------|--------------------|
| 15A | 0E36-00803-0001 |
| 14B | 0E36-00803-0002 |
| 8E | 0E36-00803-0005 |
| 6E | 0E36-00803-0006 |
| 5E | 0E36-00803-0007 |
| 4E | 0E36-00803-0008 |
| 3B | 0E36-00803-0003 |
| 5B | 0E36-00803-0004 |

| JUMPERS | IN | OUT |
|---------|----|-----|
| JW1 | | ** |
| JW2 | | ** |
| JW3 | ** | |
| JW4 | | ** |
| JW5 | ** | |
| JW6 | | ** |

UNPROGRAMMED SOUNDS GOOD BOARD A084-91863-B000
PROGRAMMED SOUNDS GOOD BOARD A084-91863-AE36

| POS. | MIDWAY PART NUMBER |
|------|--------------------|
| U17 | 0E36-00803-0010 |
| U7 | 0E36-00803-0011 |
| U18 | 0E36-00803-0012 |
| U8 | 0E36-00803-0013 |

| JUMPERS | IN | OUT |
|---------|----|-----|
| JW1 | | ** |
| JW2 | | ** |
| JW3 | ** | |

| | |
|------------------------|-------------------------------|
| M051-00E36-A008 | REVISIONS |
| 7-29-86 | RELEASE FOR PRODUCTION |

19" COLOR MONITOR SCHEMATIC DIAGRAM

MODELS 19K4901, 19K4906, 19K4951, 19K4956

Power Supply Voltage and Symbols

| Symbol | Voltage | Operating Circuit |
|--------|---------|--|
| | 15V | Vert. Osc. Sync Blanking CRT Cut-Off |
| | 130V | Horiz. Osc. Horz. Drive Horz. Output Vert. Output |
| | 175V | Video Output |



SERVICE TECHNICIAN WARNING

X-RAY RADIATION PRECAUTION:

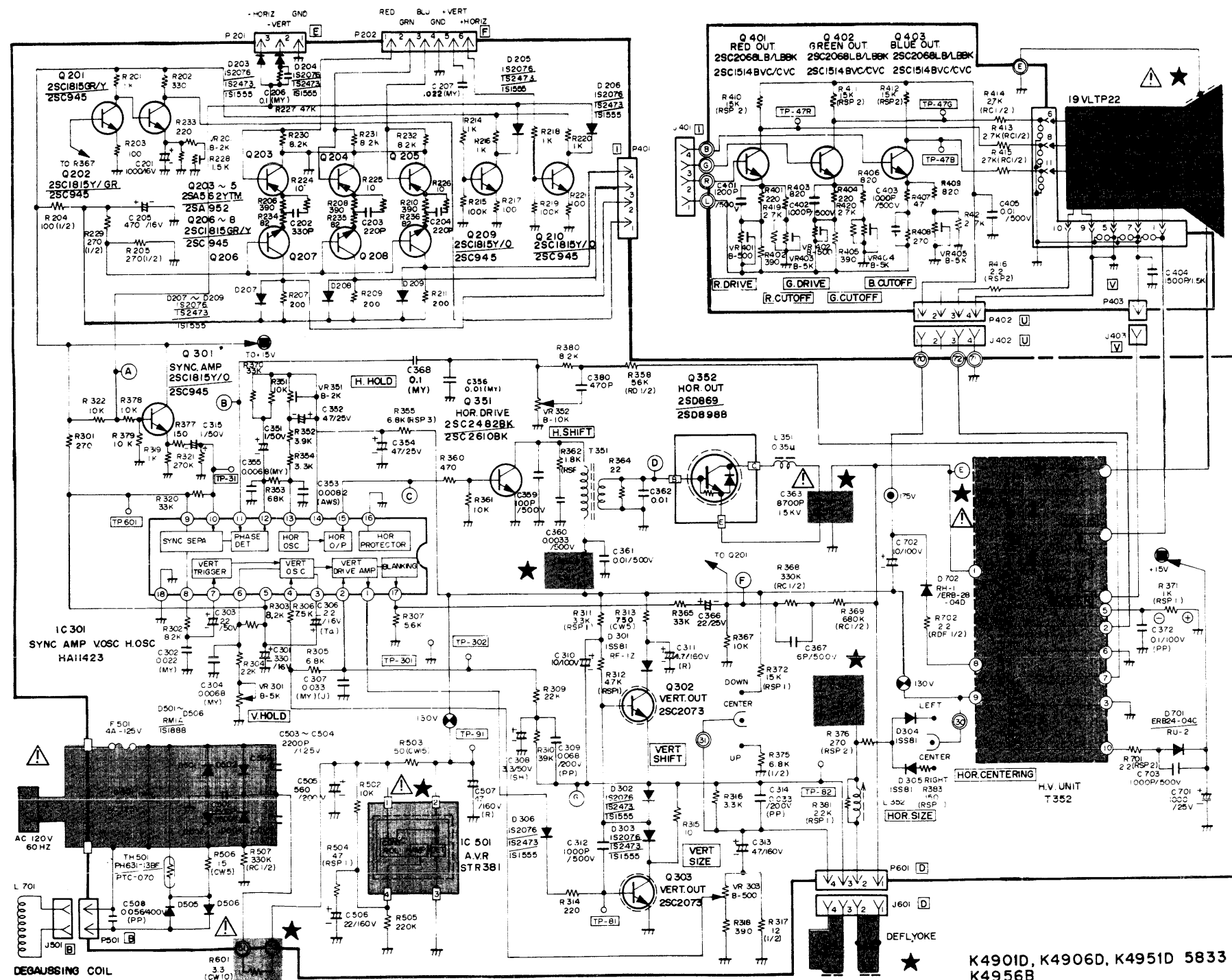
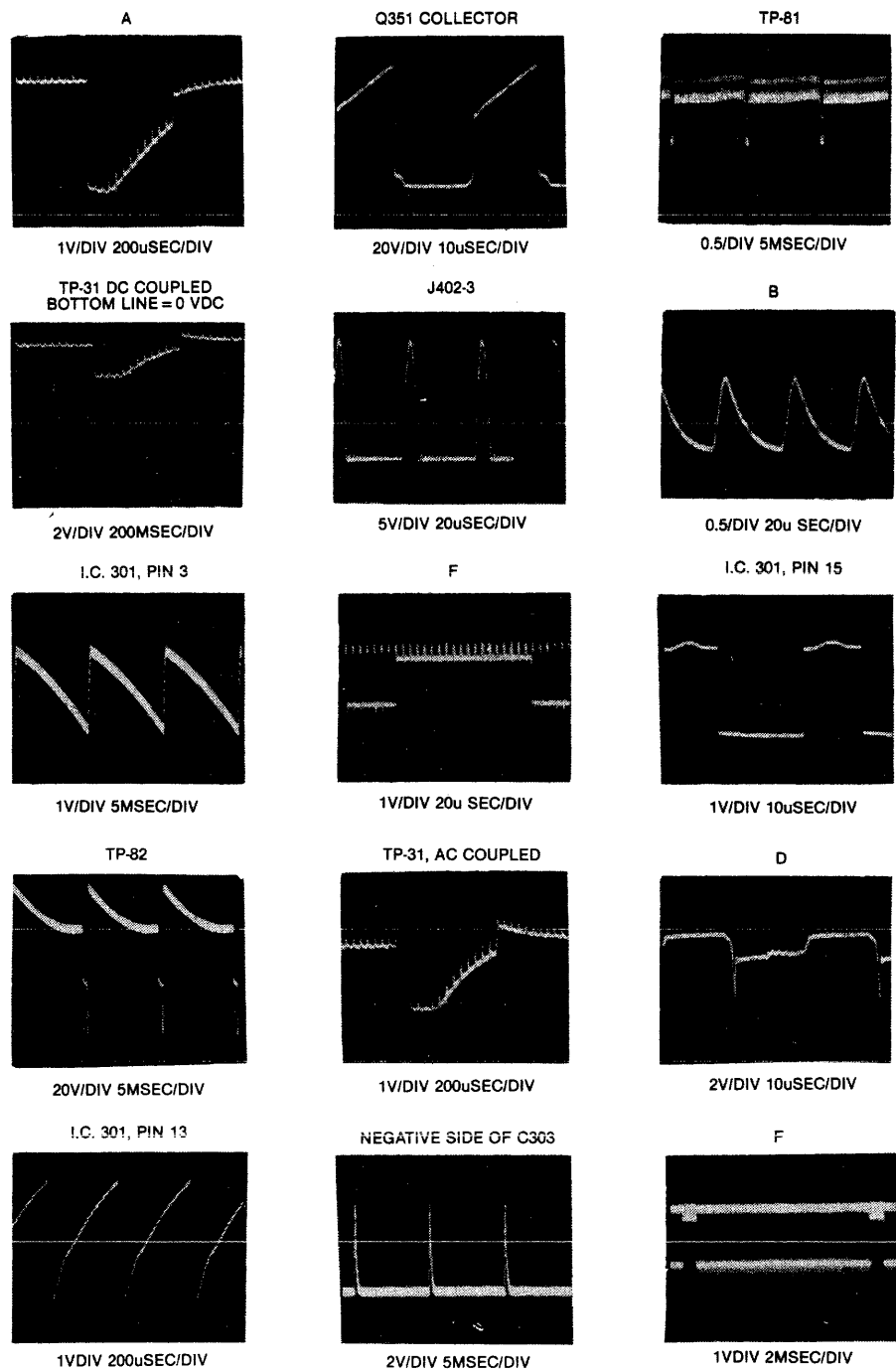
THIS PRODUCT CONTAINS CRITICAL ELECTRICAL AND MECHANICAL PARTS ESSENTIAL FOR X-RAY RADIATION PROTECTION. FOR REPLACEMENT PURPOSES, USE ONLY TYPE PARTS SHOWN IN THE PARTS LIST.

CAUTION: FOR CONTINUED SAFETY, REPLACE SAFETY CRITICAL COMPONENTS ONLY WITH MANUFACTURER'S RECOMMENDED PARTS.
 AVERTISSEMENT: POUR MAINTENIR LE DEGRE DE SECURITE DE L'APPAREIL NE REMPLACER LES COMPOSANTS DONT LE FONCTIONNEMENT EST CRITIQUE POUR LA SECURITE QUE PAR DES PIECES RECOMMANDEES PAR LE FABRICANT.

OSCILLOSCOPE WAVEFORM PATTERN

The waveforms shown are as observed on the wide band oscilloscope with the monitor turned to a reasonably strong signal and a normal picture. The voltages shown on each waveform are the approximate peak amplitudes.

If the waveforms are observed on the oscilloscope with a poor high frequency response, the corner of the pulses will tend to be more rounded than those shown and the amplitude of any high frequency pulse will tend to be less.



K4901D, K4906D, K4951D 5833
 K4956B

SECTION 3
COMPONENT LAYOUTS,
SCHEMATICS & WIRING DIAGRAM

REPLACEMENT PARTS LIST

This monitor contains circuits and components included specifically for safety purposes.

For continued protection no changes should be made to the original design, and components shown in shaded areas of schematic, or Δ \star on parts list should be replaced with exact factory replacement parts.

The use of substitute parts may create a shock, fire, radiation or other hazard. Service should be performed by qualified personnel only.

MAIN BOARD

| Ref. No. | Part No. | Description | Ref. No. | Part No. | Description |
|------------------|--------------|------------------------------|-----------------------|--------------|------------------------------|
| RESISTORS | | | | | |
| R201 | 203X6500-645 | 1K Ohm, 5%, 1/4W Carbon | R369 | 203X5602-329 | 680K Ohm, 5%, 1/2W Comp. |
| R202 | 203X6500-523 | 30 Ohm, 5%, 1/4W Carbon | R370 | 203X6501-002 | 33K Ohm, 5%, 1/4W Carbon |
| R203 | 203X6500-405 | 100 Ohm, 5%, 1/4W Carbon | R371 | 203X9014-584 | 1K Ohm, 5%, 1W Metal Oxide |
| R204 | 203X6700-327 | 100 Ohm, 5%, 1/2W Carbon | R372 | 203X9101-119 | 12K Ohm, 5%, 1W Metal Oxide |
| R205 | 203X6700-421 | 270 Ohm, 5%, 1/2W Carbon | R375 | 203X6700-763 | 6.8K Ohm, 5%, 1/2W Carbon |
| R206 | 203X6500-540 | 390 Ohm, 5%, 1/4W Carbon | R376 | 203X9104-404 | 270 Ohm, 5%, 2W Metal Oxide |
| R207 | 340X2201-934 | 200 Ohm, 5%, 1/4W Carbon | R377 | 203X6500-447 | 150 Ohm, 5%, 1/4W Carbon |
| R208 | 203X6500-540 | 390 Ohm, 5%, 1/4W Carbon | R378 | 203X6500-886 | 10K Ohm, 5%, 1/4W Carbon |
| R209 | 340X2201-934 | 200 Ohm, 5%, 1/4W Carbon | R379 | 203X6500-886 | 10K Ohm, 5%, 1/4W Carbon |
| R210 | 203X6500-540 | 390 Ohm, 5%, 1/4W Carbon | R380 | 203X6500-865 | 8.2K Ohm, 5%, 1/4W Carbon |
| R211 | 340X2201-934 | 200 Ohm, 5%, 1/4W Carbon | R381 | 203X6500-724 | 2.2K Ohm, 5%, 1W Metal Oxide |
| R214 | 203X6500-645 | 1K Ohm, 5%, 1/4W Carbon | R383 | 203X9014-387 | 150 Ohm, 5%, 1W Metal Oxide |
| R215 | 203X6501-126 | 100K Ohm, 5%, 1/4W Carbon | R502 | 203X6500-886 | 10K Ohm, 5%, 1/4W Carbon |
| R216 | 203X6500-645 | 1K Ohm, 5%, 1/4W Carbon | R503 | 204X1700-535 | 150 Ohm, 5%, 15W Metal Oxide |
| R217 | 203X6500-405 | 100 Ohm, 5%, 1/4W Carbon | R504 | 203X9014-267 | 47 Ohm, 5%, 1W Metal Oxide |
| R218 | 203X6500-645 | 1K Ohm, 5%, 1/4W Carbon | R505 | 203X6501-209 | 2.2K Ohm, 5%, 1/4W Carbon |
| R219 | 203X6501-126 | 100K Ohm, 5%, 1/4W Carbon | R506 | 203X9104-105 | 15 Ohm, 5%, 2W Metal Oxide |
| R220 | 203X6500-645 | 1K Ohm, 5%, 1/4W Carbon | R507 | 203X5602-185 | 330K Ohm, 5%, 1/2W Comp. |
| R221 | 203X6500-405 | 100 Ohm, 5%, 1/4W Carbon | Δ \star R601 | 204X1625-058 | 3.3 Ohm, 5%, 10W WW |
| R222 | 203X6500-762 | 3.3 Ohm, 5%, 1/4W Carbon | R701 | 203X9105-141 | 2.2 Ohm, 5%, 2W Metal Oxide |
| R224 | 203X6500-169 | 10 Ohm, 5%, 1/4W Carbon | R702 | 203X6206-441 | 2.2 Ohm, 5%, 1/2W Carbon |
| R225 | 203X6500-169 | 10 Ohm, 5%, 1/4W Carbon | VR201 | 204X2070-072 | 2K Ohm-B Semi-Fixed |
| R226 | 203X6500-169 | 10 Ohm, 5%, 1/4W Carbon | VR301 | 204X2070-084 | 5K Ohm-B Semi-Fixed |
| R227 | 203X6501-044 | 47K Ohm, 5%, 1/4W Carbon | VR303 | 204X2070-055 | 500 Ohm-B Semi-Fixed |
| R228 | 203X6500-645 | 1K Ohm, 5%, 1/4W Carbon | VR351 | 204X2070-072 | 2K Ohm-B Semi-Fixed |
| R229 | 203X6700-421 | 270 Ohm, 5%, 1/2W Carbon | VR352 | 204X2070-072 | 2K Ohm-B Semi-Fixed |
| R230 | 203X6500-863 | 8.2K Ohm, 5%, 1/2W Comp. | CAPACITORS | | |
| R231 | 203X6500-863 | 8.2K Ohm, 5%, 1/2W Comp. | C201 | 203X0014-088 | 1000 uF, 16V, Electrolytic |
| R232 | 203X6500-863 | 8.2K Ohm, 5%, 1/2W Comp. | C202 | 202X7200-064 | 330 pF, 500V, Ceramic |
| R233 | 203X6500-468 | 180 Ohm, 5%, 1/4W Carbon | C203 | 202X7200-043 | 220 pF, 500V, Ceramic |
| R234 | 340X2820-934 | 82 Ohm, 5%, 1/4W Carbon | C204 | 202X7200-043 | 220 pF, 500V, Ceramic |
| R235 | 340X2820-934 | 82 Ohm, 5%, 1/4W Carbon | C205 | 203X0014-076 | 470 uF, 16V, Electrolytic |
| R236 | 203X6500-508 | 270 Ohm, 5%, 1/4W Carbon | C206 | 203X1810-149 | 0.1 uF, 125V Mylar |
| R301 | 203X6500-863 | 8.2K Ohm, 5%, 1/4W Carbon | C207 | 349X2232-109 | .022 uF, 100V Mylar |
| R302 | 203X6500-863 | 8.2K Ohm, 5%, 1/4W Carbon | C301 | 203X0014-065 | 330 uF, 50V Electrolytic |
| R303 | 203X6500-863 | 8.2K Ohm, 5%, 1/4W Carbon | C302 | 203X1600-563 | 0.033 uF, 50V Mylar |
| R304 | 203X6500-724 | 2.2K Ohm, 5%, 1/4W Carbon | C303 | 203X0629-037 | 3.3 uF, 50V Electrolytic |
| R305 | 203X6500-842 | 6.8K Ohm, 5%, 1/4W Carbon | C304 | 203X1600-366 | 0.068 pF, 50V Mylar |
| R306 | 203X6003-201 | 7.5K Ohm, 2%, 1/4W Carbon | C306 | 203X0412-012 | 2.2 uF, 16V Tantal |
| R307 | 203X6500-825 | 5.6K Ohm, 5%, 1/4W Carbon | C307 | 203X1600-634 | 0.033 uF, 50V Mylar |
| R309 | 203X6500-965 | 22K Ohm, 5%, 1/4W Carbon | C308 | 203X0025-174 | 3.3 uF, 50V Electrolytic |
| R310 | 203X6500-988 | 39K Ohm, 5%, 1/4W Carbon | C309 | 203X1207-100 | 0.068 uF, 100V PP |
| R311 | 203X6500-762 | 3.3K Ohm, 5%, 1/4W Carbon | C310 | 203X0629-061 | 10 uF, 100V Electrolytic |
| R312 | 203X9014-741 | 4.7K Ohm, 5%, 1/4W Carbon | C311 | 203X0041-025 | 10 uF, 160V Electrolytic |
| R313 | 204X1450-537 | 1K Ohm, 5%, 5W Carbon | C312 | 202X7050-248 | 1000 pF, 500V Ceramic |
| R314 | 203X6500-481 | 220 Ohm, 5%, 1/4W Carbon | C313 | 203X0040-052 | 47 uF, 160V Electrolytic |
| R315 | 203X6500-169 | 10 Ohm, 5%, 1/4W Carbon | C314 | 203X1201-265 | 0.033 uF, 200V PP |
| R316 | 203X6500-762 | 3.3K Ohm, 5%, 1/4W Carbon | C315 | 203X0629-023 | 1 uF, 50V Electrolytic |
| R317 | 203X6700-107 | 12 Ohm, 5%, 1/2W Carbon | C351 | 203X0629-023 | 1 uF, 50V Electrolytic |
| R318 | 203X6500-540 | 390 Ohm, 5%, 1/4W Carbon | C352 | 203X0619-045 | 47 uF, 25V Electrolytic |
| R319 | 203X6500-645 | 1K Ohm, 5%, 1/4W Carbon | C353 | 203X1190-015 | 0.0082 pF, 50V Mylar-PP |
| R320 | 203X6501-002 | 33K Ohm, 5%, 1/4W Carbon | C354 | 203X0619-045 | 47 uF, 25V Electrolytic |
| R321 | 203X6501-224 | 270K Ohm, 5%, 1/2W Carbon | C355 | 203X1600-366 | 0.0068 pF, 50V Mylar |
| R322 | 203X6500-886 | 10K Ohm, 5%, 1/4W Carbon | C356 | 202X7050-483 | 0.01 uF, 500V Ceramic |
| R351 | 203X6500-886 | 10K Ohm, 5%, 1/4W Carbon | C359 | 202X8065-606 | 100 pF, 500V Ceramic |
| R352 | 203X6500-785 | 3.9K Ohm, 5%, 1/4W Carbon | C360 | 202X7050-366 | 0.0033 pF, 500V Ceramic |
| R353 | 203X6501-086 | 68K Ohm, 5%, 1/4W Carbon | C361 | 202X7050-483 | 0.01 uF, 500V Ceramic |
| R354 | 203X6500-762 | 3.3K Ohm, 5%, 1/4W Carbon | C362 | 202X7203-032 | 0.01 uF, 50V Ceramic |
| R355 | 203X9205-143 | 6.8K Ohm, 5%, 3W Metal Oxide | Δ \star C363 | 203X1270-911 | 8700 pF, 1.5 KV PP |
| R358 | 203X5601-87E | 56K Ohm, 5%, 1/2W Carbon | \star C365 | 203X1201-265 | 0.33 uF, 200V PP |
| R360 | 203X6500-56 | 470 Ohm, 5%, 1/4W Carbon | C366 | 203X0019-026 | 22 uF, 25V Electrolytic |
| R361 | 203X6500-88 | 10K Ohm, 5%, 1/4W Carbon | C367 | 202X8065-162 | 6 pF, 500V Ceramic |
| R362 | 203X9014-645 | 1.8K Ohm, 5%, 1W Metal Oxide | C368 | 202X7203-032 | 0.01 uF, 50V Ceramic |
| \star R363 | 204X1527-751 | 3.9K Ohm, 5%, 7W Metal Oxide | C372 | 203X1207-125 | 0.1 uF, 100V PP |
| R364 | 203X6500-246 | 22 Ohm, 5%, 1/4W Carbon | | | |
| R365 | 203X6501-002 | 33K Ohm, 5%, 1/4W Carbon | | | |
| R367 | 203X6500-886 | 10K Ohm, 5%, 1/4W Carbon | | | |
| R368 | 203X5602-185 | 330K Ohm, 5%, 1/2W Comp. | | | |

MAIN BOARD (CONT.)

| Ref. No. | Part No. | Description | Ref. No. | Part No. | Description |
|---------------------------|--------------|------------------------------|-------------------------------|--------------------------------|-------------------------------|
| CAPACITORS (CONT.) | | | | | |
| C380 | 202X7200-087 | 470 uF, 500V Ceramic | Q206 | 200X3181-523 | Transistor (NPN) 2SC1815GR |
| Δ C501 | 203X1810-149 | 0.1 uF, 125V Mylar | Q207 | 200X3181-523 | Transistor (NPN) 2SC1815GR |
| Δ C502 | 202X7050-282 | 1500 pF, 500V Ceramic | Q208 | 200X3181-523 | Transistor (NPN) 2SC1815GR |
| Δ C503 | 202X7810-214 | 2200 pF, 125V Ceramic | Q209 | 200X3181-523 | Transistor (NPN) 2SC1851GR |
| Δ C504 | 202X7810-214 | 2200 pF, 125V Ceramic | Q210 | 200X3181-523 | Transistor (NPN) 2SC1851GR |
| C505 | 203X0220-075 | 560 uF, 200V Electrolytic | Q301 | 200X3207-306 | Transistor (NPN) 2SC2073LBGL2 |
| C506 | 203X0040-034 | 22 uF, 160V Electrolytic | Q302 | 200X3207-306 | Transistor (NPN) 2SC2073LBGL2 |
| C507 | 203X0041-057 | 47 uF, 160V Electrolytic | Q303 | 200X3248-217 | Transistor (NPN) 2SC2482BK |
| C701 | 203X0019-092 | 1000 uF, 25V Electrolytic | Q351 | 200X4589-802 | Transistor (NPN) 2SD898B |
| C702 | 203X0634-061 | 10 uF, 100V Electrolytic | Q352 | 200X2300-033 | IC HA11423 |
| C703 | 202X7050-248 | 1000 pF, 500V Ceramic | IC301 | 200X2600-183 | IC STR381 |
| | | | Δ \star IC501 | | |
| SEMICONDUCTORS | | | | | |
| D203 | 201X2010-159 | Diode, IS2076-27 | L351 | 201X4710-134 | Coil, (RF Choke) |
| D204 | 201X2010-159 | Diode, IS2076-27 | L352 | 201X5000-083 | Coil, Horiz. Size |
| D205 | 201X2010-159 | Diode, IS2076-27 | L701 | 611X0004-007 | Coil, Adg. |
| D206 | 201X2010-159 | Diode, IS2076-27 | T351 | 202X1300-080 | Transformer, Hor. Drive |
| D207 | 201X2010-159 | Diode, IS2076-27 | Δ \star T352 | 200X9720-301 | HV-Unit M-11 |
| D208 | 201X2010-159 | Diode, IS2076-27 | | | |
| D209 | 201X2010-159 | Diode, IS2076-27 | | | |
| D301 | 201X2010-165 | Diode, ISS81 | Δ F501 | 204X7120-073 | Fuse, 4 Amp. 125V |
| D302 | 201X2010-159 | Diode, IS2076-27 | J402 | 206X5008-632 | Recep W Wire 3P-M-BG |
| D303 | 201X2010-159 | Diode, IS2076-27 | P201 | 204X9600-466 | Plug, PWB 3P-J |
| D304 | 201X2120-009 | Diode, RH-IV | P202 | 204X9601-477 | Plug, PWB 6P-Q |
| D305 | 201X2120-009 | Diode, RH-IV | P401 | 204X9600-298 | Plug, PWB 4P-B |
| D306 | 201X2010-159 | Diode, IS2076-27 | P501 | 204X9600-249 | Plug, PWB 2P-B |
| Δ D501 | 201X3120-216 | Diode, RM-1AV | P601 | 204X9600-304 | Plug, PWB 4P-C |
| Δ D502 | 201X3120-216 | Diode, RM-1AV | TH501 | 201X0100-112 | Thermistor |
| Δ D503 | 201X3120-216 | Diode, RM-1AV | | | |
| Δ D504 | 201X3120-216 | Diode, RM-1AV | | | |
| D505 | 201X3120-216 | Diode, RM-1AV | | | |
| D506 | 201X3120-216 | Diode, RM-1AV | | | |
| D701 | 201X2130-234 | Diode, RU-2V | | | |
| D702 | 201X2120-009 | Diode, RH-1V | | | |
| Q201 | 200X3181-523 | Transistor (NPN) 2SC1815GR | Δ \star 88X0138-506 | 19VLT22 Pix Tube | |
| Q202 | 200X3181-523 | Transistor (NPN) 2SC1815GR | 205X9800-158 | Lateral/Purity Assembly | |
| Q203 | 200X4056-260 | Transistor (PNP) 2SA562-Y-TM | Δ \star 202X1111-201 | Yoke Deflection | |
| Q204 | 200X4056-260 | Transistor (PNP) 2SA562-Y-TM | 204X9301-255 | CRT Socket | |
| Q205 | 200X4056-260 | Transistor (PNP) 2SA562-Y-TM | 291X5004-262 | Automatic Degaussing Coil Unit | |

SEMICONDUCTORS (CONT.)

TRANSFORMERS & COILS

MISCELLANEOUS

FINAL ASSEMBLY PARTS

NECK BOARD

RESISTORS

| | | | | | |
|------|--------------|-----------------------------|------|--------------|----------------------------|
| R401 | 203X6000-729 | 220 Ohm, 5% 1/4W Carbon | C401 | 202X7050-269 | 1200 pF, 500V Ceramic |
| R402 | 203X6500-540 | 390 Ohm, 5% 1/4W Carbon | C402 | 202X7050-248 | 1000 pF, 500V Ceramic |
| R403 | 203X6000-661 | 820 Ohm, 5% 1/4W Carbon | C403 | 202X7050-248 | 1000 pF, 500V Ceramic |
| R404 | 203X6000-729 | 220 Ohm, 5% 1/4W Carbon | C404 | 202X7050-282 | 1500 pF, 1.5KV Ceramic |
| R405 | 203X6500-540 | 390 Ohm, 5% 1/4W Carbon | C405 | 202X7050-483 | 0.01 uF, 500V Ceramic |
| R406 | 203X6000-661 | 820 Ohm, 5% 1/4W Carbon | | | |
| R407 | 203X6000-729 | 470 Ohm, 5% 1/4W Carbon | | | |
| R408 | 203X6000-998 | 270 Ohm, 5% 1/4W Carbon | | | |
| R409 | 203X6000-661 | 820 Ohm, 5% 1/4W Carbon | | | |
| R410 | 203X9104-824 | 15K Ohm, 5% 2W M.O. Forming | Q401 | 200X3206-800 | Transistor (NPN) 2SC2068LB |
| R411 | 203X9104-824 | 15K Ohm, 5% 2W M.O. Forming | Q402 | 200X3206-800 | Transistor (NPN) 2SC2068LB |
| R412 | 203X9104-824 | 15K Ohm, 5% 2W M.O. Forming | Q403 | 200X3206-800 | Transistor (NPN) 2SC2068LB |
| R413 | 203X6000-998 | 2.7K Ohm, 5% 1/2W Comp. | | | |
| R414 | 203X6000-998 | 2.7K Ohm, 5% 1/2W Comp. | | | |
| R415 | 203X6000-9 | | | | |

REPLACEMENT PARTS LIST—ELECTROHOME 19" MONITOR

Components identified by the Δ symbol in the PARTS LIST and on the Schematic have special characteristics important to safety.

DO NOT degrade the safety of the set through improper servicing.

Abbreviations for Resistors and Capacitors

| Resistor | | Capacitor | |
|----------|-------------------------------|-----------|--|
| C R | : Carbon Resistor | C Cap. | : Ceramic Capacitor |
| Comp. R | : Composition Resistor | M Cap. | : Mylar Capacitor |
| OM R | : Oxide Metal Film Resistor | E Cap. | : Electrolytic Capacitor |
| V R | : Variable Resistor | BP E Cap. | : Bi-Polar (or Non-Polar) Electrolytic Capacitor |
| MF R | : Metal Film Resistor | MM Cap. | : Metalized Mylar Capacitor |
| CMF R | : Coating Metal Film Resistor | PP Cap. | : Polypropylene Capacitor |
| UNF R | : Nonflammable Resistor | MPP Cap. | : Metalized PP Capacitor |
| F R | : Fusible Resistor | PS Cap. | : Polystyrol Capacitor |
| | | Tan. Cap. | : Tantal Capacitor |

NOTE: When ordering replacement parts please specify the part number as shown in this list including part name, and model number. Complete information will help expedite the order.

Use of substitute replacement parts which do not have the same safety characteristics as specified, may create shock, fire or other hazards. For maximum reliability and performance, all parts should be replaced by those having identical specifications.

SERVICE REPLACEMENT PARTS LIST

| Symbol | Description | Part Number |
|--------|-------------------------|--------------|
| | Main P.C.B. Ass'y | SU-1133A |
| | CRT Socket P.C.B. Ass'y | SU-3032A |
| | Purity Shield Ass'y | 07-220083-03 |

Outside of the P.C.B. Ass'y

| Symbol | Description | Part Number |
|----------|---|--------------------|
| Δ | Δ Deflection Yoke | A29779-D=21-141-01 |
| | PC Magnet | A75034-B=29-32-01 |
| Δ | Δ Flyback Transf. | A29951-B |
| Δ | Δ HVR | A46600-A |
| R05 | UNF Resistor 220 Ω .25W K | QRF258K-221 |
| C04 | C Capacitor 150pF, AC1.5KV | QCZ0101-005 |
| X01 | Si. Transistor | 2SD870 |
| X02 | Si. Transistor | 2SC1106A |
| SC | Screw #8- $\frac{3}{4}$ | 31-610818-06 |
| SC | Screw $\frac{1}{4}$ x $\frac{3}{4}$ Pix Tube Mtg. (4) | 31-601418-12 |
| WA | Pyramidal Lock Washer (4) | 33-255-01 |
| | Nut Retainer, Pix Tube Mtg. (4) | 33-494-01 |
| | Clip—P.C.B. Support | 33-629-02 |
| | Standoff | 33-670-010R-02 |
| | Wire Terminal (Gnd. Strap) | 34-228-03 |
| | Terminal Lug (Gnd.) | 34-33-04 |
| | Groundstrap Assy. | 34-574-02 |
| | Grounding Spring | 35-212-03 |
| | Wire Hook (Gnd. Strap) | 35-3053-02 |
| | Purity Shield Holddown Clamp | 35-2348-01 |
| | Support Brkt. RH | 35-3890-01 |
| | Support Brkt. LH | 35-3890-02 |
| | Chassis Base | 38-449-02 |
| | Yoke Wedge (3) | 39-1233-01 |

Purity Shield Ass'y. Parts List

| Symbol | Description | Part Number |
|--------|--------------------------------------|--------------|
| | Degaussing Coil | 21-1007-30 |
| D911, | Rectifier 1 Amp 600V (2) | 28-22-27 |
| D912 | Pin Terminal (2) | 34-708-01 |
| | Pin Terminal Housing | 34-709-01 |
| | Purity Shield (2 pcs.) | 35-3847-01 |
| | Purity Shield (2 pcs.) | 35-3847-02 |
| C911 | Capacitor 100nF 10% 400V | 48-171544-62 |
| R921 | Resistor, Wirewound 33 Ω , 4W | 42-113301-03 |
| | Fire Retardant Term. Strip 4 Lug | 34-492-09 |

CRT Socket P.C.B. Ass'y (SU-3032A) Parts List

| Resistors | | |
|-----------|---|-------------|
| Symbol | Description | Part Number |
| R3105 | V R 200 | QVZ3234-022 |
| R3106 | V R 200 | QVZ3234-022 |
| R3113 | V R 5K | QVZ3234-053 |
| R3114 | V R 5K | QVZ3234-053 |
| R3115 | V R 5K | QVZ3234-053 |
| R3116 | OM R 10K Ω 2W J | QRG029J-103 |
| R3117 | OM R 10K Ω 2W J | QRG029J-103 |
| R3118 | OM R 10K Ω 2W J | QRG029J-103 |
| R3119 | Comp. R 3.3K Ω $\frac{1}{2}$ W K | QRZ0039-332 |
| R3120 | Comp. R 3.3K Ω $\frac{1}{2}$ W K | QRZ0039-332 |
| R3121 | Comp. R 3.3K Ω $\frac{1}{2}$ W K | QRZ0039-332 |

| Capacitors | | |
|------------|-------------------------|--------------|
| Symbol | Description | Part Number |
| C3107 | E Cap. 10uF 250V A | QEW53EA-106 |
| C3108 | C Cap. 1000pF DC1400V P | QCZ9001-102M |

CRT Socket P.C.B. Ass'y (SU-3032A) Parts List (Cont.)

| Coils | Description | Part Number |
|--------|--------------|-------------|
| Symbol | | |
| L3101 | Peaking Coil | QQL043K-101 |

| Semi-conductors | Description | Part Number |
|-----------------|----------------|-------------|
| Symbol | | |
| X3101 | Si. Transistor | 2SC1514VC |
| X3102 | Si. Transistor | 2SC1514VC |
| X3103 | Si. Transistor | 2SC1514VC |

| Miscellaneous | Description | Part Number |
|---------------|---------------------|-------------|
| Symbol | | |
| Δ | Δ CRT Socket | A76068 |

Main PCB Ass'y (SU-1133A) Parts List

| Resistors | Description | Part Number |
|-----------------|--|--------------|
| Symbol | | |
| R1406 | V R 200 Ω | QVZ3230-002 |
| R1408 | V R 200 Ω | QVZ3230-002 |
| R1410 | CMF R 6.8 Ω 1W J | QRX019J-6R8 |
| R1414 | OM R 3.3K Ω 1W J | QRG019J-332 |
| R1415 | OM R 2.7K Ω 1W J | QRG019J-272 |
| R1421 | OM R 12K Ω 2W J | QRG026J-123Z |
| R1422 | V R 10K Ω | QVZ3230-014 |
| Δ FR1401 | Δ F R 68 Ω 2W K | QRH024K-680M |
| Δ R1503 | Δ CMF R 11.8K Ω $\frac{1}{4}$ W+1% | QRV142F-1182 |
| R1504 | V R 5K Ω | QVZ3230-053 |
| R1509 | OM R 10K Ω 2W J | QRG026J-103Z |
| R1512 | OM R 8.2K Ω 2W J | QRG026J-822Z |
| R1514 | OM R 820 Ω 2W J | QRG026J-821Z |
| R1515 | CMF R 8.2 Ω 1W J | QRX019J-8R2 |
| R1522 | CMF R 4.7 Ω 1W J | QRX019J-4R7 |
| R1523 | OM R 68 Ω 2W J | QRG026J-680Z |
| R1528 | OM R 390 Ω 1W J | QRG019J-391 |
| R1534 | ZN R | ERZ-C05ZK471 |
| VR1501 | ZN R | ERZ-C05ZK271 |
| Δ R1703 | Δ CMF R 39 Ω $\frac{1}{2}$ W+1% | QRV122F-3902 |
| Δ R1704 | Δ CMF R 7.68K Ω $\frac{1}{4}$ W+1% | QRV142F-7681 |
| Δ R1901 | Δ Posistor | A75414 |
| R1902 | UNF R 2.07W K | QRF076K-2R0 |
| R1903 | CMF R 4.7 Ω 3W J | QRX039J-4R7 |
| R1904 | OM R 10K Ω 2W J | QRG026J-103Z |
| R1905 | OM R 18K Ω 1W J | QRG019J-183 |
| Δ Q1908 | Δ CMF R 47 Ω $\frac{1}{2}$ W+1% | QRV122F-470Z |
| Δ R1909 | V R 2K Ω | QVP5A0B-023E |
| R1910 | Δ CMF R 2.74K Ω $\frac{1}{4}$ W+1% | QRV142F-274I |
| Δ FR1901 | Δ F R 220 Ω $\frac{1}{2}$ W K | QRH124K-221M |

Capacitors

| Symbol | Description | Part Number |
|----------------|-----------------------------------|--------------|
| C1301 | BPE Cap. 3.3uF 50V A | QEN61HA-335Z |
| C1402 | Tan Cap. 2.2uF 16V K | QEE51CK-225B |
| C1407 | E Cap. 4.7uF 6.3V A | QEW51JA-475 |
| C1411 | E Cap. 100uF 160V A | QEW52CA-107 |
| C1412 | E Cap. 3.3uF 160V A | QEW52CA-335 |
| C1508 | PP Cap. 5600uF 50V J | QFP31HJ-562 |
| Δ C1512 | Δ PP Cap. 2000pF DC1500V J | QFZ0082-202 |
| Δ C1513 | Δ PP Cap. 2000pF DC1500V J | QFZ0082-202 |
| Δ C1514 | Δ PP Cap. 2000pF DC1500V J | QFZ0082-202 |
| C1515 | PP Cap. 0.53uF DC1200V J | QFZ0067-534 |
| C1520 | BPE Cap. 3.3uF 50V A | QEN61HA-335Z |
| C1523 | E Cap. 1uF 160V A | QEW62CA-105Z |
| C1524 | M Cap. 0.1uF 200V K | QFM720K-104M |
| Δ C1531 | Δ PP Cap. 2000pF DC1500V J | QFZ0082-202 |
| Δ C1532 | Δ PP Cap. 1500pF DC1500V J | QFZ0082-152 |
| C1904 | E Cap. | QEY0034-001 |
| C1905 | E Cap. 10uF 250V A | QEW52EA-106 |

Main PCB Ass'y (SU-1133A) Parts List (Cont.)

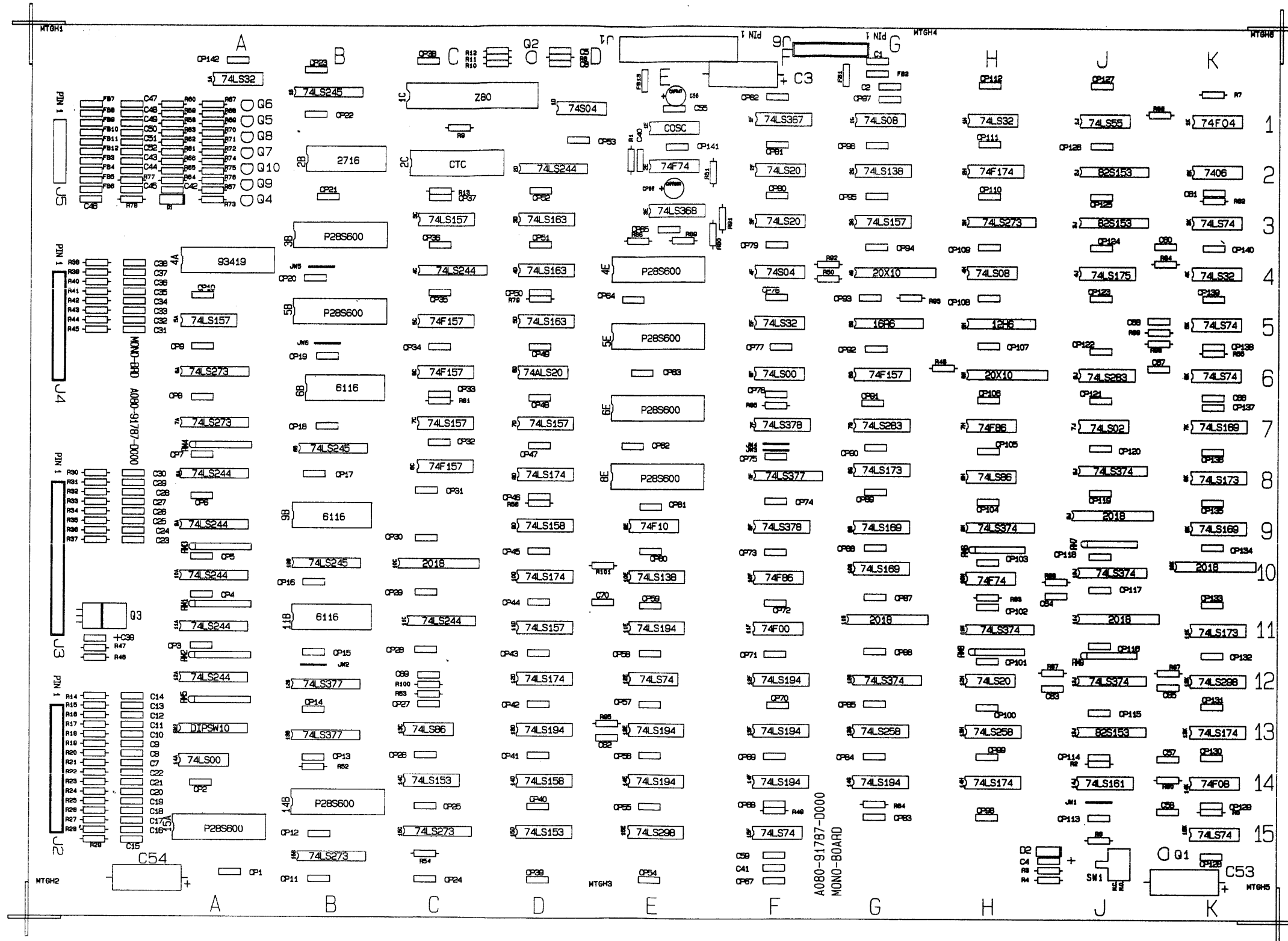
| Coils | Description | Part Number |
|--------|--------------|-------------|
| Symbol | | |
| L1502 | Linary Coil | A39835 |
| L1503 | Width Coil | C30380-A |
| L1504 | Heater Choke | C30445-A |

| Transformers | Description | Part Number |
|--------------|--------------------|-------------|
| Symbol | | |
| T1501 | Hor. Drive Transf. | A46022-BM |
| T1503 | Side Pin Transf. | C39050-A |

| Semi-conductors | Description | Part Number |
|-----------------|----------------------|------------------|
| Symbol | | |
| IC1501 | IC | HA11244 |
| X1101 | Si. Transistor | 2SC1685(R) |
| X1102 | Si. Transistor | 2SA673(C) |
| X1103 | Si. Transistor | 2SC1685(R) |
| X1104 | Si. Transistor | 2SA673(C) |
| X1105 | Si. Transistor | 2SC1685(R) |
| X1106 | Si. Transistor | 2SA673(C) |
| X1301 | Si. Transistor | 2SC1685(R) |
| X1302 | Si. Transistor | 2SC1685(R) |
| X1303 | Si. Transistor | 2SA673(C) |
| X1304 | Si. Transistor | 2SC1685(R) |
| X1305 | Si. Transistor | 2SC1685(R) |
| X1401 | Si. Transistor | 2SD478 |
| X1402 | Si. Transistor | 2SD478 |
| X1501 | Si. Transistor | 2SC2610BK |
| X1901 | Si. Transistor | 2SC2688 (K.L.M.) |
| X1902 | Si. Transistor | 2SC1890A (E.F.) |
| D1101 | Si. Diode | W06A |
| D1102 | Si. Diode | W06A |
| D1103 | Si. Diode | W06A |
| D1301 | Si. Diode | 1SZ473H |
| D1401 | Si. Diode | 1SZ473H |
| D1402 | Zener Diode | RD10F(C) |
| D1503 | Si. Diode | HF-1 |
| D1504 | Si. Diode | V09E |
| D1505 | Zener Diode | RD11E(B) |
| D1506 | Si. Diode | W06A |
| D1507 | Si. Diode | 1SS81 |
| D1508 | Si. Diode | 1SZ473H |
| Δ D1701 | Δ Zener Diode | RD20EV2 |
| Δ D1901 | Δ Si. Diode | 1S1887A |
| Δ D1902 | Δ Si. Diode | 1S1887A |
| Δ D1903 | Δ Si. Diode | 1S1887A |
| Δ D1904 | Δ Si. Diode | 1S1887A |
| Δ D1905 | Δ Zener Diode | RD6.8EV3 |

Miscellaneous

| Symbol | Description | Part Number |
|----------------|---------------------|---------------|
| Δ F1901 | Δ Fuse 1.25A | QMF53U1-1R25S |
| Δ F1902 | Δ UL Fuse 3A | QMF66U1-3R0S |



ASSY. DWG. M051-00114-E128

| | |
|--------------------|------|
| REL FOR PRODUCTION | DATE |
| REVISIONS | |

| | | |
|---------------------|------------|--------------------------|
| PROJECT ENG: | USED ON: | BALLY/MIDWAY MFG. CO. |
| DO NOT SCALE DWG. | HEAT TREAT | FRANKLIN PARK ILL. |
| SCALE | NO. RECD | |
| DATE 07/24/86 | FINISH | PART NO. A084-91787-E000 |
| NON-SCROLL MONO BD. | | |

MONOBOARD
A084-91787-E000
M051-00114-E156

CROSS REFERENCE LIST: Page 1 of 9 Rev. 2

| DESCRIPTION | QTY | DESIGNATION NO. | PART NO. |
|------------------------|-----|--|-----------------|
| 18 PF AX. CER. | 4 | C60,C62,C67,C68 | 0A15-00800-0011 |
| 33 PF AX. CER. | 2 | C5,C65 | 0986-00800-0300 |
| 47 PF AX. CER. | 6 | C47-C52 | 0986-00800-2800 |
| 68 PF AX. CER. | 3 | C57,C63,C64 | 0360-00800-0028 |
| 270 PF AX. CER. | 2 | C69,C70 | 0A15-00800-0013 |
| 390 PF AX. CER. | 5 | C1,C2,C41,C42,C55 | 0986-00800-3000 |
| 820 PF AX. CER. | 4 | C43-C46 | 0945-00816-0400 |
| .01 UF AX. CER. | 146 | CP1-CP65,C67-C142 C40,C58,C59,C61,C66 | 0986-00800-2000 |
| .1 UF AX. CER. | 33 | C6-C38 | 0986-00800-1100 |
| 10 UF 25V AX. TANT. | 2 | C4,C39 | 0986-00800-0700 |
| 47 UF 25V RD TANT | 1 | C56 | 0A59-00800-0001 |
| 100 UF 16V RD TANT | 1 | CP66 | 0945-00811-0500 |
| 470 UF 16V AX. ELEC. | 3 | C3,C53,C54 | 0986-00800-2700 |
| 10 OHM 1/4W 5% CRBN. | 6 | R58,R59,R61,R62,R64, R65 | 100E-00005-0011 |
| 22 OHM 1/4W 5% CRBN. | 1 | R48 | 100E-00005-0016 |
| 47 OHM 1/4W 5% CRBN. | 4 | R88-R90,R93 | 100E-00005-0025 |
| 68 OHM 1/4W 5% CRBN. | 4 | R50,R51,R91,R92 | 100E-00005-0029 |
| 82 OHM 1/4W 5% CRBN. | 7 | R9,R80,R87,R96,R97, R100,R101 | 100E-00005-0031 |
| 220 OHM 1/4W 5% CRBN. | 32 | R14-R45 | 100E-00005-0041 |
| 470 OHM 1/4W 5% CRBN. | 3 | R60,R63,R66 | 100E-00005-0051 |
| 510 OHM 1/4W 5% CRBN. | 3 | R69,R72,R76 | 100E-00005-0053 |
| 560 OHM 1/4W 5% CRBN. | 3 | R57,R77,R78 | 100E-00005-0054 |
| 680 OHM 1/4W 5% CRBN. | 4 | R94,R95,R98,R99 | 100E-00005-0056 |
| 1K OHM 1/4W 5% CRBN. | 5 | R68,R71,R73,R75,R86 | 100E-00005-0061 |
| 2K OHM 1/4W 5% CRBN. | 3 | R67,R70,R74 | 100E-00005-0068 |
| 2.7K OHM 1/4W 5% CRBN. | 2 | R46,R47 | 100E-00005-0071 |
| 4.7K OHM 1/4W 5% CRBN. | 20 | R1,R2,R5-R7,R10-R13, R49,R52-R56,R79, R81-84 | 100E-00005-0079 |
| 10K OHM 1/4W 5% CRBN. | 2 | R3,R4 | 100E-00005-0088 |
| 82K OHM 1/4W 5% CRBN. | 1 | R8 | 100E-00005-0112 |
| 1K OHM 9 PIN SIP | 4 | RM6-RM9 | 102E-00004-0011 |
| 2.7K OHM 10 PIN SIP | 4 | RM1-RM4 | 102E-00004-0020 |
| 4.7K OHM 10 PIN SIP | 1 | RM5 | 102E-00004-0026 |
| 1N4148 DIODE | 2 | D1,D2 | 103E-00002-0005 |
| 2N4123 NPN XSTR. | 2 | Q1,Q4 | 104E-00001-0007 |
| 2N4403 PNP XSTR. | 1 | Q2 | 104E-00002-0006 |
| MPSA70 PNP XSTR | 6 | Q5-Q10 | 104E-00002-0012 |
| TIPL10 NPN XSTR. | 1 | Q3 | 104E-00009-0001 |
| 20 MHZ COSC. | 1 | IC 1E | 0304-00804-0007 |
| 7406 | 1 | IC 2K | 0986-00803-7600 |
| 74ALS20 | 1 | IC 6D | 0A59-00803-0015 |

MONOBOARD
A084-91787-E000
M051-00114-E156

CROSS REFERENCE LIST: Page 2 of 9 Rev. 2

| DESCRIPTION | QTY | DESIGNATION NO. | PART NO. |
|-------------------|-----|------------------------------------|-----------------|
| 74F00 | 1 | IC 11F | 0A59-00803-0001 |
| 74F04 | 1 | 1K | 0A59-00803-0034 |
| 74F08 | 1 | IC 14K | 0A59-00803-0030 |
| 74F10 | 1 | IC 9E | 0A59-00803-0002 |
| 74F74 | 2 | IC 2E,10H | 0A59-00803-0003 |
| 74F86 | 2 | IC 10F,7H | 0A59-00803-0031 |
| 74F157 | 4 | IC 5C,6C,8C,6G | 0A59-00803-0004 |
| 74F174 | 1 | IC 2H | 0A59-00803-0005 |
| 74LS00 | 2 | IC 14A,6F | 0304-00803-0010 |
| 74LS02 | 1 | IC 7J | 0986-00803-7400 |
| 74LS08 | 2 | IC 1G,4H | 0986-00803-7300 |
| 74LS20 | 3 | IC 2F,3F,12H | 0986-00803-1004 |
| 74LS32 | 4 | IC 5F,1H,4K,1A | 0986-00803-6100 |
| 74LS55 | 1 | IC 1J | 0A59-00803-0026 |
| 74LS74 | 6 | IC 12E,15F,3K,5K,6K, 15K | 0986-00803-1005 |
| 74LS86 | 2 | IC 13C,8H | 0986-00803-9900 |
| 74LS138 | 2 | IC 10E,2G | 0986-00803-6500 |
| 74LS153 | 2 | IC 14C,15D | 0A59-00803-0006 |
| 74LS157 | 6 | IC 5A,3C,7C,7D,11D,3G | 0304-00803-0021 |
| 74LS158 | 2 | IC 9D,14D | 0A59-00803-0007 |
| 74LS161 | 1 | IC 14J | 0986-00803-1003 |
| 74LS163 | 3 | IC 3D-5D | 0A59-00803-0008 |
| 74LS169 | 4 | IC 9G,10G,7K,9K | 0304-00803-0023 |
| 74LS173 | 3 | IC 8G,8K,11K | 0A59-00803-0009 |
| 74LS174 | 5 | IC 8D,10D,12D,14H,13K | 0304-00803-0024 |
| 74LS175 | 1 | IC 4J | 0304-00803-0025 |
| 74LS194 | 8 | IC 13D,11E,13E,14E, 12F-14F,14G | 0304-00803-0026 |
| 74LS244 | 8 | IC 8A-12A,4C,11C,2D | 0986-00803-4800 |
| 74LS245 | 3 | IC 1B,8B,10B | 0986-00803-6400 |
| 74LS258 | 2 | IC 13G,13H | 0304-00803-0028 |
| 74LS273 | 5 | IC 6A,7A,15B,15C,3H | 0986-00803-4700 |
| 74LS283 | 2 | IC 7G,6J | 0304-00803-0030 |
| 74LS298 | 2 | IC 15E,12K | 0A59-00803-0010 |
| 74LS367 | 1 | IC 1F | 0986-00803-7000 |
| 74LS368 | 1 | IC 3E | 0A59-00803-0011 |
| 74LS374 | 6 | IC 12G,9H,11H,8J,10J, 12J | 0986-00803-4600 |
| 74LS377 | 3 | IC 8F,12B,13B | 0A59-00803-0012 |
| 74LS378 | 2 | IC 7F,9F | 0A59-00803-0013 |
| 74S04 | 2 | IC 1D,4F | 0986-00803-6600 |
| MMCO1A HAL | 1 | IC 4G | 0986-00803-8900 |
| MMCO2B HAL | 1 | IC 6H | 0986-00803-9000 |
| MMCO3B HAL | 1 | IC 5G | 0986-00803-9100 |
| MMCO6 HAL | 1 | IC 5H | 0986-00803-9200 |
| PACNS REV 1.0 PLA | 1 | IC 2J | A59A-26AAJ-BXHD |

MONOBOARD
A084-91787-E000
M051-00114-E156

CROSS REFERENCE LIST: Page 3 of 9 Rev. 2

| DESCRIPTION | QTY | DESIGNATION NO. | PART NO. |
|--------------------------------|-----|--------------------------------------|---------------------|
| PACOUT REV 1.0 PLA | 1 | IC 3J | A59A-26AAJ-AXHD |
| ROMCTRL REV 1.0 PLA | 1 | IC 13J | A59A-26AAJ-CXHD |
| 2018 2Kx8 RAM 45NS | 4 | IC 11G,10K,9J,11J | 0A59-00803-0028 |
| 2018 2Kx8 RAM 55NS | 1 | IC 10C | 0A59-00803-0029 |
| 6116 2Kx8 RAM 120NS | 1 | IC 11B | 0A59-00803-0027 |
| 6116 2Kx8 RAM 150NS | 2 | IC 6B,9B | 0A59-00803-0014 |
| 93419 64x9 RAM | 1 | IC 4A | 0986-00803-9600 |
| Z80B | 1 | IC 1C | 0304-00803-0041 |
| Z80B CTC | 1 | IC 2C | 0304-00803-0040 |
| BG0 64K ROM/EPROM | 1 | IC 15A | SEE ROM/EPROM CHART |
| BG1 64K ROM/EPROM | 1 | IC 14B | SEE ROM/EPROM CHART |
| FG0 256K ROM/EPROM | 1 | IC 8E | SEE ROM/EPROM CHART |
| FG1 256K ROM/EPROM | 1 | IC 6E | SEE ROM/EPROM CHART |
| FG2 256K ROM/EPROM | 1 | IC 5E | SEE ROM/EPROM CHART |
| FG3 256K ROM/EPROM | 1 | IC 4E | SEE ROM/EPROM CHART |
| PROG0 256K ROM/EPROM | 1 | IC 3B | SEE ROM/EPROM CHART |
| PROG1 256K ROM/EPROM | 1 | IC 5B | SEE ROM/EPROM CHART |
| 16 PIN IC SOCKET(.300) | 1 | ICS 3E | 110E-00001-0003 |
| 20 PIN IC SOCKET(.300) | 5 | ICS 5G,5H,2J,3J,13J | 110E-00001-0005 |
| 24 PIN IC SOCKET(.300) | 7 | ICS 10C,4G,11G,6H,9J 11J,10K | 110E-00001-0009 |
| 24 PIN IC SOCKET(.600) | 3 | ICS 6B,9B,11B | 110E-00001-0007 |
| 28 PIN IC SOCKET(.600) | 10 | ICS 4A,15A,3B,5B,14B, 2C,4E-6E,8E | 110E-00001-0010 |
| 40 PIN IC SOCKET(.600) | 1 | ICS 1C | 110E-00001-0011 |
| AUTO INSERT PIN TIN .025 SQ | 18 | J2 | 0304-00804-0009 |
| AUTO INSERT PIN TIN .025 SQ | 22 | J3 | 0304-00804-0009 |
| AUTO INSERT PIN TIN .025 SQ | 15 | J4 | 0304-00804-0009 |
| AUTO INSERT PIN TIN .025 SQ | 8 | J5 | 0304-00804-0009 |
| AUTO INSERT PIN TIN .025 SQ | 10 | J6 | 0304-00804-0009 |
| AUTO INSERT PIN TIN .045 SQ | 11 | J1 | 0304-00804-0010 |
| FERRITE BEAD | 13 | FBI-FB13 | 0316-00804-0002 |
| ZERO OHM RESISTOR (JUMPER) | 7 | JW1-JW6,R85 | 117E-00001-0003 |

MONOBOARD
A084-91787-E000
M051-00114-E156

MONOBOARD
A084-91787-E000
M051-00114-E156

MONOBOARD
A084-91787-E000
M051-00114-E156

CROSS REFERENCE LIST: Page 4 of 9 Rev. 2

DESIGNATION LIST: Page 5 of 9 Rev. 2

DESIGNATION LIST: Page 6 of 9 Rev. 2

| DESCRIPTION | QTY | DESIGNATION NO. | PART NO. |
|--------------------|-----|-----------------|-----------------|
| SWITCH PC. MTG. | 1 | SW1 | 0986-00804-3100 |
| 10 POS. DIP SWITCH | 1 | SW2 | 113E-00001-0004 |
| SNAP | 1 | MHQ3 | 0017-00007-0134 |
| PC BOARD | 1 | | A080-91787-E000 |

| DESCRIPTION | DESIGNATION NO. |
|-------------|------------------------|
| CP1-CP65 | .01 UF AX. CER. |
| CP66 | 100 UF 16V RD. TANT |
| CP67-CP142 | .01UF AX. CER. |
| C1,C2 | 390 PF AX. CER. |
| C3 | 470 UF 16V AX. ELEC. |
| C4 | 10 UF 25V AX. TANT. |
| C5 | 33 PF AX. CER. |
| C6-C38 | .1 UF AX. CER. |
| C39 | 10 UF 25V AX. TANT. |
| C40 | .01 UF AX. CER |
| C41,C42 | 390 PF AX. CER. |
| C43-C46 | 820 PF AX. CER. |
| C47-C52 | 47 PF AX. CER. |
| C53,C54 | 470 UF 16V AX. ELEC. |
| C55 | 390 PF AX. CER. |
| C56 | 47 UF 25V RD. TANT. |
| C57 | 68 PF AX. CER. |
| C58,C59 | .01 UF AX. CER. |
| C60 | 18 PF AX. CER. |
| C61 | .01 UF AX. CER. |
| C62 | 18 PF AX. CER. |
| C63 | 68 PF AX. CER. |
| C64 | 68 PF AX. CER. |
| C65 | 33 PF AX. CER. |
| C66 | .01 UF AX. CER. |
| C67 | 18 PF AX. CER. |
| C68 | 18 PF AX. CER. |
| C69 | 270 PF AX. CER |
| C70 | 270 PF AX. CER |
| R1,R2 | 4.7K OHM 1/4W 5% CRBN. |
| R3,R4 | 10K OHM 1/4W 5% CRBN. |
| R5-R7 | 4.7K OHM 1/4W 5% CRBN. |
| R8 | 82K OHM 1/4W 5% CRBN. |
| R9 | 82 OHM 1/4W 5% CRBN. |
| R10-R13 | 4.7K OHM 1/4W 5% CRBN. |
| R14-R45 | 220 OHM 1/4W 5% CRBN. |
| R46,R47 | 2.7K OHM 1/4W 5% CRBN. |
| R48 | 22 OHM 1/4W 5% CRBN. |
| R49,R52-R56 | 4.7K 1/4W 5% CRBN. |
| R50,R51 | 68 OHM 1/4W 5% CRBN. |
| R57 | 560 OHM 1/4W 5% CRBN. |
| R58,R59 | 10 OHM 1/4W 5% CRBN. |
| R60 | 470 OHM 1/4W 5% CRBN. |
| R61,R62 | 10 OHM 1/4W 5% CRBN. |
| R63 | 470 OHM 1/4W 5% CRBN. |
| R64,R65 | 10 OHM 1/4W 5% CRBN. |
| R66 | 470 OHM 1/4W 5% CRBN. |
| R67 | 2K OHM 1/4W 5% CRBN. |
| R68 | 1K OHM 1/4W 5% CRBN. |
| R69 | 510 OHM 1/4W 5% CRBN. |
| R70 | 2K OHM 1/4W 5% CRBN. |

| DESCRIPTION | DESIGNATION NO. |
|-------------|----------------------------|
| R71 | 1K OHM 1/4W 5% CRBN. |
| R72 | 510 OHM 1/4W 5% CRBN. |
| R73 | 1K OHM 1/4W 5% CRBN. |
| R74 | 2K OHM 1/4W 5% CRBN. |
| R75 | 1K OHM 1/4W 5% CRBN. |
| R76 | 510 OHM 1/4W 5% CRBN. |
| R77,R78 | 560 OHM 1/4W 5% CRBN. |
| R79 | 4.7K OHM 1/4W 5% CRBN. |
| R80 | 82 OHM 1/4W 5% CRBN. |
| R81-R84 | 4.7K OHM 1/4W 5% CRBN. |
| R85 | ZERO OHM (Jumper) |
| R86 | 1K OHM 1/4W 5% CRBN. |
| R87 | 82 OHM 1/4W 5% CRBN. |
| R88 | 47 OHM 1/4W 5% CRBN. |
| R89 | 47 OHM 1/4W 5% CRBN. |
| R90 | 47 OHM 1/4W 5% CRBN. |
| R91 | 68 OHM 1/4W 5% CRBN. |
| R92 | 68 OHM 1/4W 5% CRBN. |
| R93 | 47 OHM 1/4W 5% CRBN. |
| R94 | 680 OHM 1/4W 5% CRBN. |
| R95 | 680 OHM 1/4W 5% CRBN. |
| R96 | 82 OHM 1/4W 5% CRBN. |
| R97 | 82 OHM 1/4W 5% CRBN. |
| R98 | 680 OHM 1/4W 5% CRBN. |
| R99 | 680 OHM 1/4W 5% CRBN. |
| R100 | 82 OHM 1/4W 5% CRBN. |
| R101 | 82 OHM 1/4W 5% CRBN. |
| RM1-RM4 | 2.7K OHM 10 PIN SIP |
| RM5 | 4.7K OHM 10 PIN SIP |
| RM6-RM9 | 1K OHM 9 PIN SIP |
| D1,D2 | 1N4148 DIODE |
| Q1 | 2N4123 XSTR. |
| Q2 | 2N4403 XSTR. |
| Q3 | TIP110 XSTR. |
| Q4 | 2N4123 XSTR. |
| Q5-Q10 | MPSA70 XSTR. |
| IC 1A | 74LS32 |
| IC 4A | 93419 64x9 RAM |
| IC 5A | 74LS157 |
| IC 6A,7A | 74LS273 |
| IC 8A-12A | 74LS244 |
| IC 14A | 74LS00 |
| IC 15A | BGO 64K ROM/EPROM |
| IC 1B | 74LS245 |
| IC 2B | NOT USED |
| IC 3B,5B | PROG0,PROG1 256K ROM/EPROM |
| IC 6B | 6116 2Kx8 RAM 150 NS. |
| IC 8B | 74LS245 |
| IC 9B | 6116 2Kx8 RAM 150 NS. |
| IC 10B | 74LS245 |

Released 23 July 86 CMM
Rev. 1 - 28 July 86 CMM - Changed R85 to zero ohm.
Rev. 2 - 31 July 86 CMM - Removed eeprom part #'s.

MONOBOARD
A084-91787-E000
M051-00114-E156

DESIGNATION LIST: Page 7 of 9 Rev. 2

| DESCRIPTION | DESIGNATION NO. |
|-------------|--------------------------------|
| IC 11B | 6116 2Kx8 RAM 120 NS. |
| IC 12B,13B | 74LS377 |
| IC 14B | BG1 64K ROM/EPROM |
| IC 15B | 74LS273 |
| IC 1C | Z80B CPU |
| IC 2C | Z80B CTC |
| IC 3C | 74LS157 |
| IC 4C | 74LS244 |
| IC 5C,6C | 74F157 |
| IC 7C | 74LS157 |
| IC 8C | 74F157 |
| IC 10C | 2018 2Kx8 RAM 55NS |
| IC 11C | 74LS244 |
| IC 13C | 74LS86 |
| IC 14C | 74LS153 |
| IC 15C | 74LS273 |
| IC 1D | 74S04 |
| IC 2D | 74LS244 |
| IC 3D-5D | 74LS163 |
| IC 6D | 74ALS20 |
| IC 7D | 74LS157 |
| IC 8D | 74LS174 |
| IC 9D | 74LS158 |
| IC 10D | 74LS174 |
| IC 11D | 74LS157 |
| IC 12D | 74LS174 |
| IC 13D | 74LS194 |
| IC 14D | 74LS158 |
| IC 15D | 74LS153 |
| IC 1E | 20 MHZ COASC. |
| IC 2E | 74F74 |
| IC 3E | 74LS368 |
| IC 4E-6E,8E | FG3,FG2,FG1,FG0 256K ROM/EPROM |
| IC 9E | 74F10 |
| IC 10E | 74LS138 |
| IC 11E | 74LS194 |
| IC 12E | 74LS74 |
| IC 13E,14E | 74LS194 |
| IC 15E | 74LS298 |
| IC 1F | 74LS367 |
| IC 2F,3F | 74LS20 |
| IC 4F | 74S04 |
| IC 5F | 74LS32 |
| IC 6F | 74LS00 |
| IC 7F | 74LS378 |
| IC 8F | 74LS377 |
| IC 9F | 74LS378 |
| IC 10F | 74F86 |
| IC 11F | 74F00 |
| IC 12F-14F | 74LS194 |
| IC 15F | 74LS74 |

74LS
74S
74F
74H
74ALS

MONOBOARD
A084-91787-E000
M051-00114-E156

DESIGNATION LIST: Page 8 of 9 Rev. 2

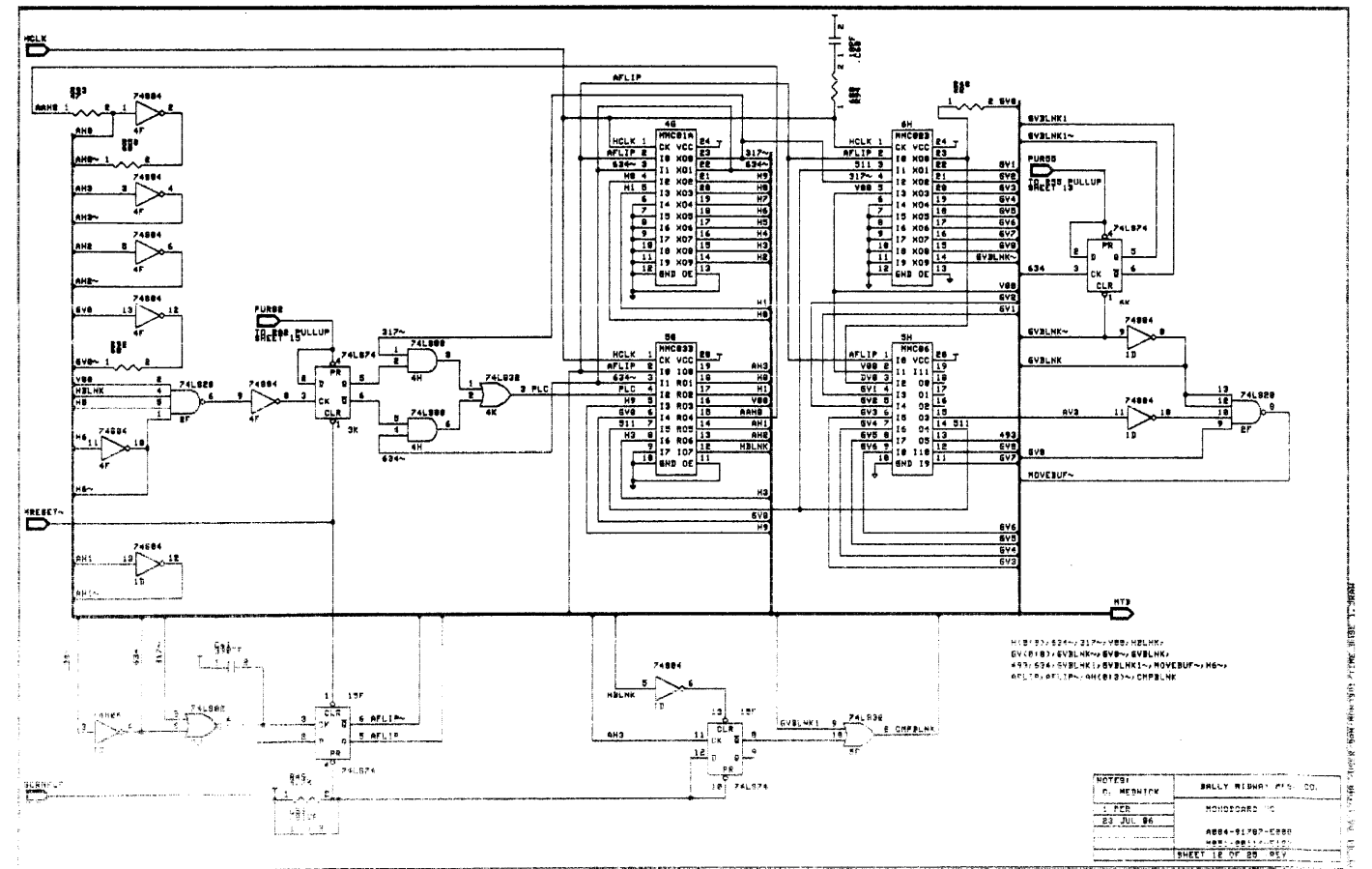
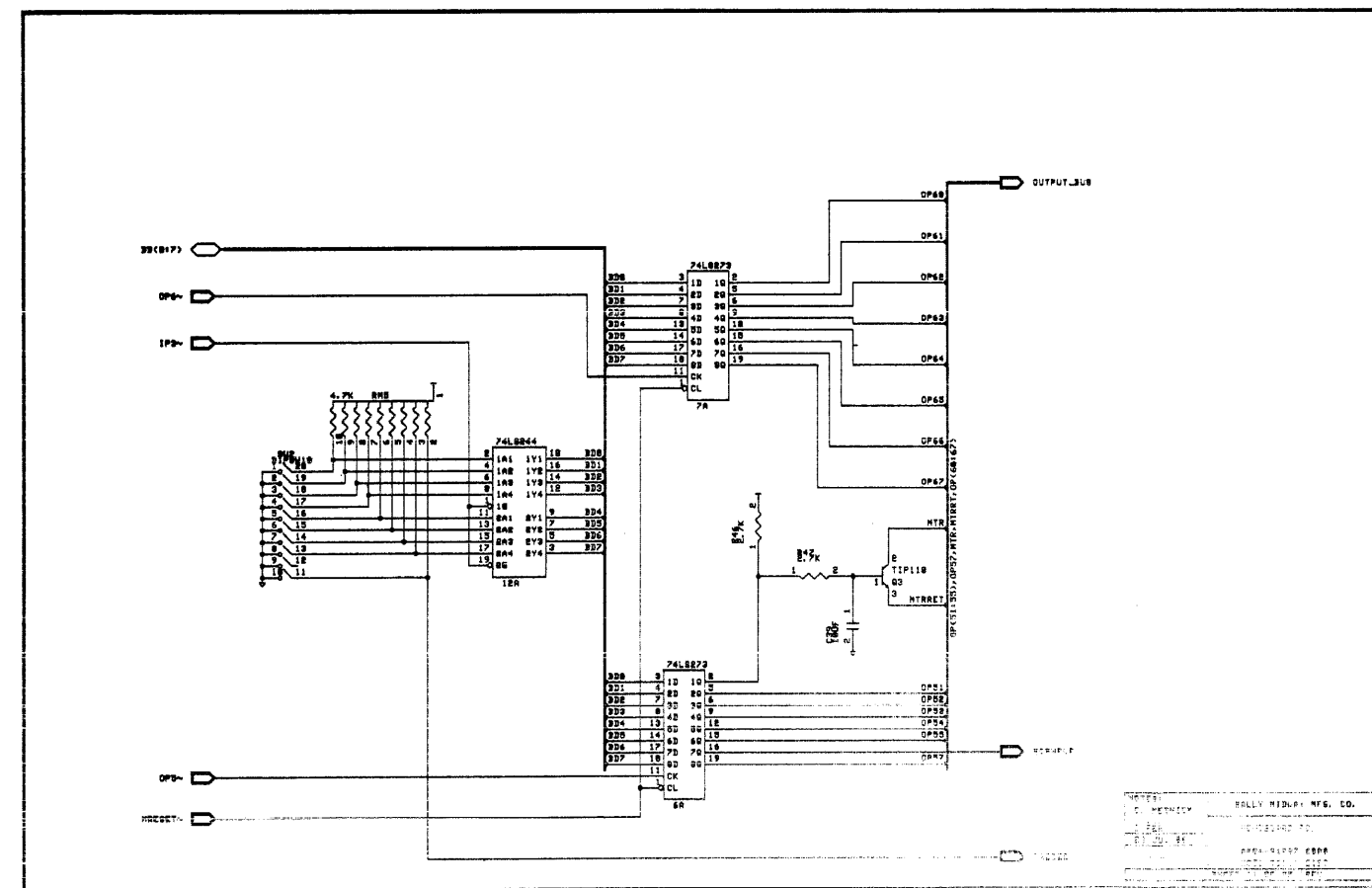
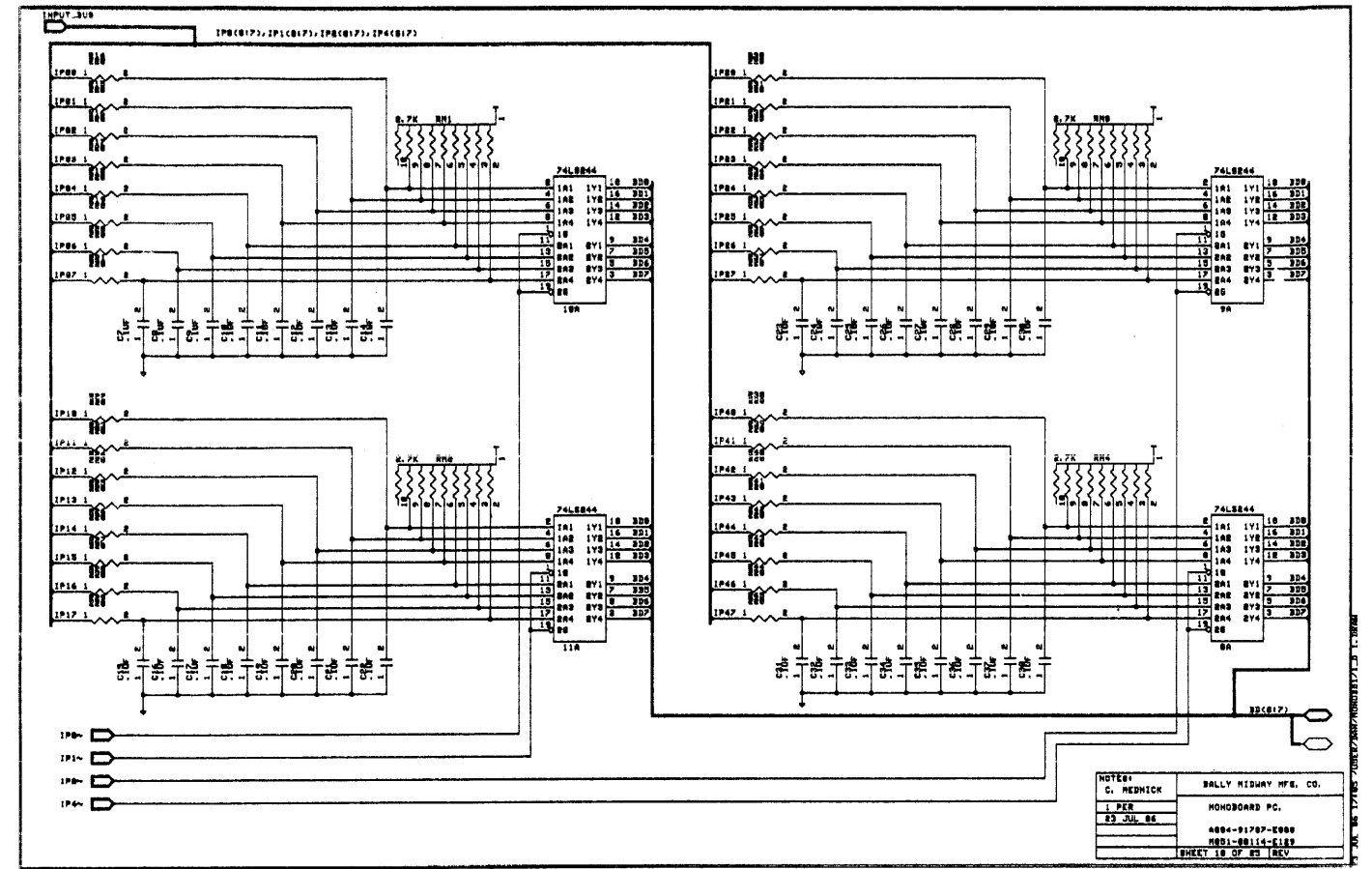
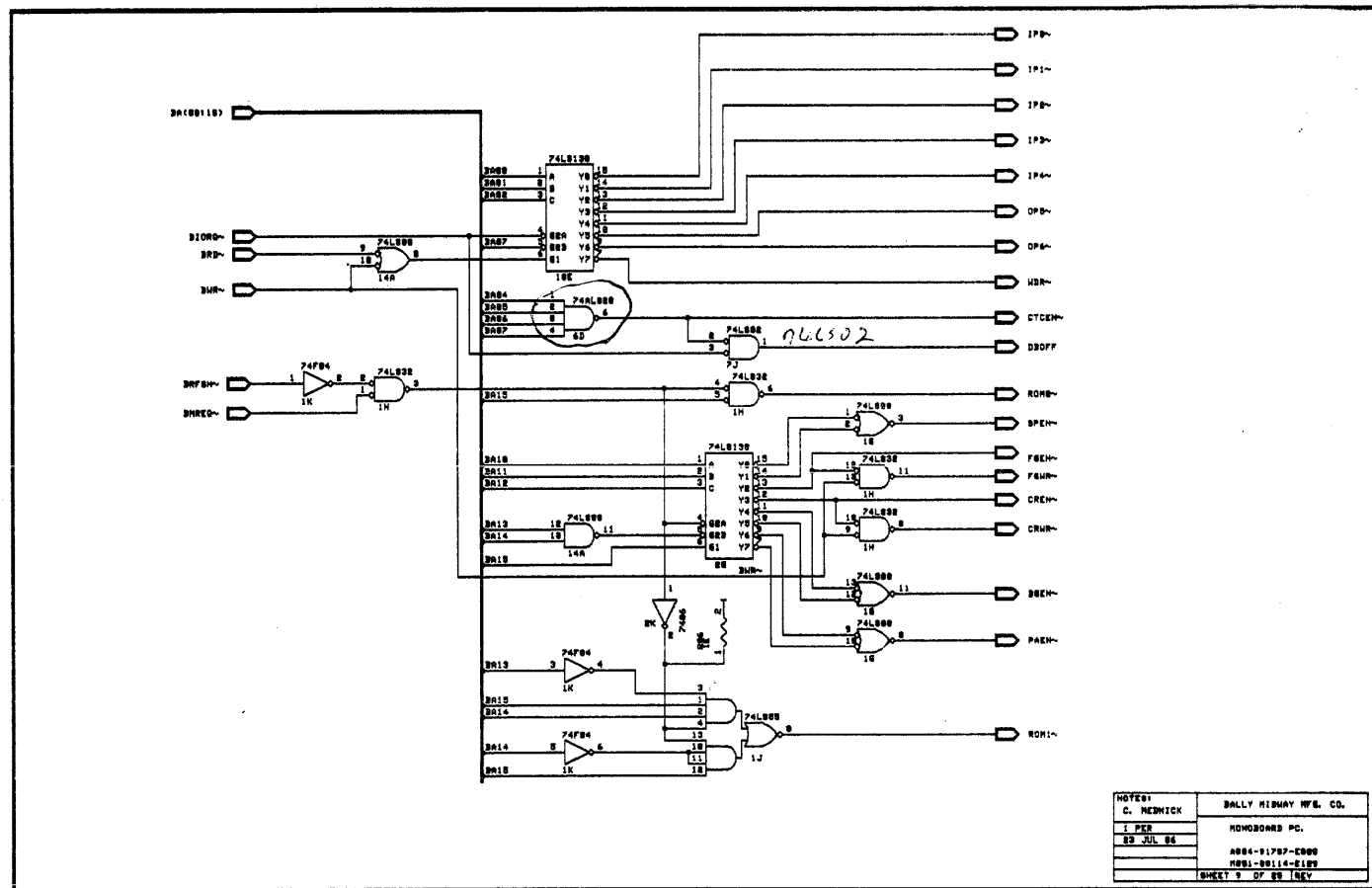
| DESCRIPTION | DESIGNATION NO. |
|-------------|----------------------|
| IC 1G | 74LS08 |
| IC 2G | 74LS138 |
| IC 3G | 74LS157 |
| IC 4G | MMC01A HAL |
| IC 5G | MMC03B HAL |
| IC 6G | 74F157 |
| IC 7G | 74LS283 |
| IC 8G | 74LS173 |
| IC 9G,10G | 74LS169 |
| IC 11G | 2018 2Kx8 RAM 45NS |
| IC 12G | 74LS374 |
| IC 13G | 74LS258 |
| IC 14G | 74LS194 |
| IC 1H | 74LS32 |
| IC 2H | 74F174 |
| IC 3H | 74LS273 |
| IC 4H | 74LS08 |
| IC 5H | MMC06 HAL |
| IC 6H | MMC02B HAL |
| IC 7H | 74F86 |
| IC 8H | 74LS86 |
| IC 9H | 74LS374 |
| IC 10H | 74F74 |
| IC 11H | 74LS374 |
| IC 12H | 74LS20 |
| IC 13H | 74LS258 |
| IC 14H | 74LS174 |
| IC 1J | 74LS55 |
| IC 2J | PACNS REV 1.0 PLA |
| IC 3J | PACOUT REV 1.0 PLA |
| IC 4J | 74LS175 |
| IC 6J | 74LS283 |
| IC 7J | 74LS02 |
| IC 8J | 74LS374 |
| IC 9J | 2018 2Kx8 RAM 45NS |
| IC 10J | 74LS374 |
| IC 11J | 2018 2Kx8 RAM 45NS |
| IC 12J | 74LS374 |
| IC 13J | ROMCNTRL REV 1.0 PLA |
| IC 14J | 74LS161 |
| IC 1K | 74F04 |
| IC 2K | 7406 |
| IC 3K | 74LS74 |
| IC 4K | 74LS32 |
| IC 5K,6K | 74LS74 |
| IC 7K | 74LS169 |
| IC 8K | 74LS173 |
| IC 9K | 74LS169 |
| IC 10K | 2018 2Kx8 RAM 45NS |
| IC 11K | 74LS173 |

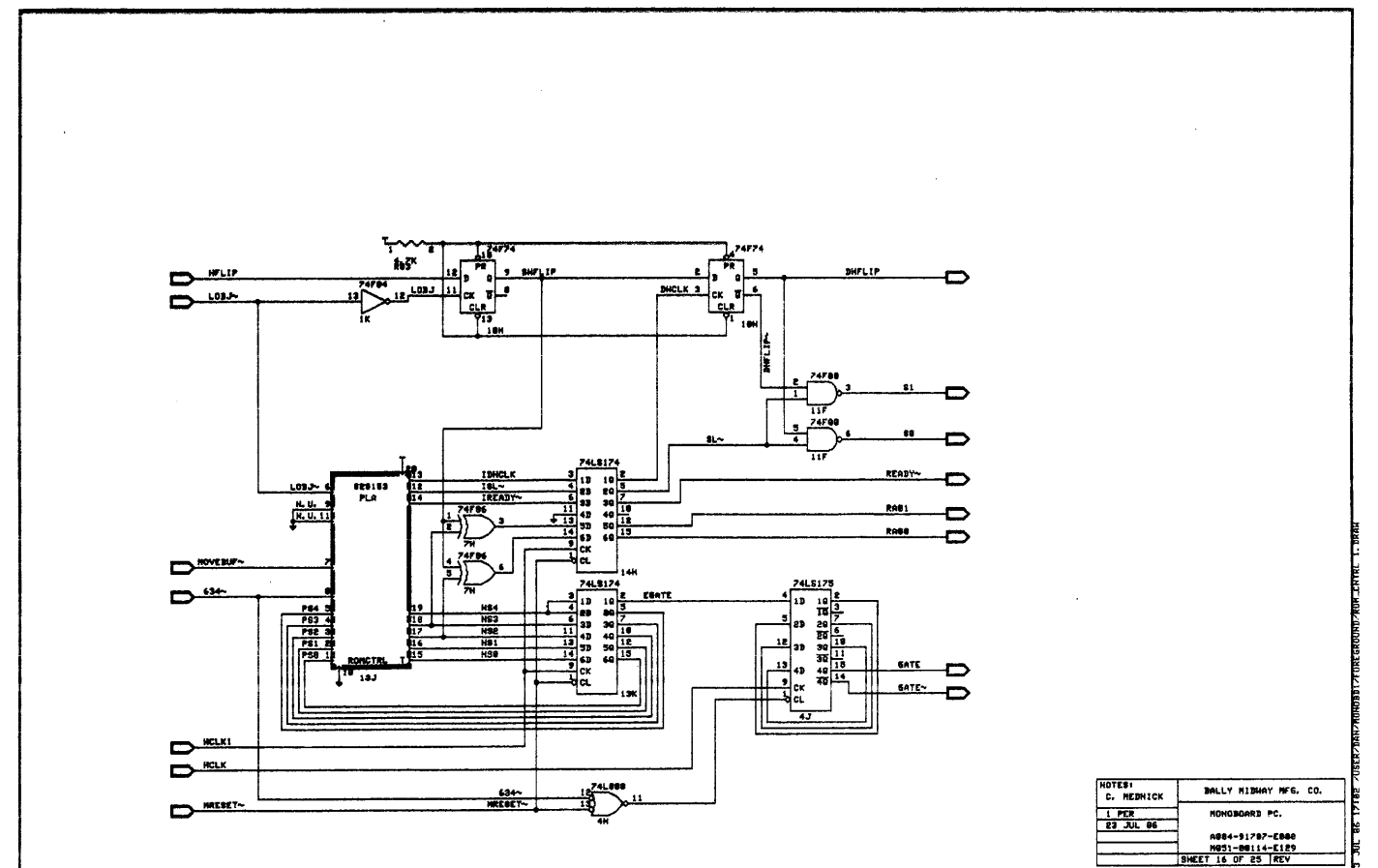
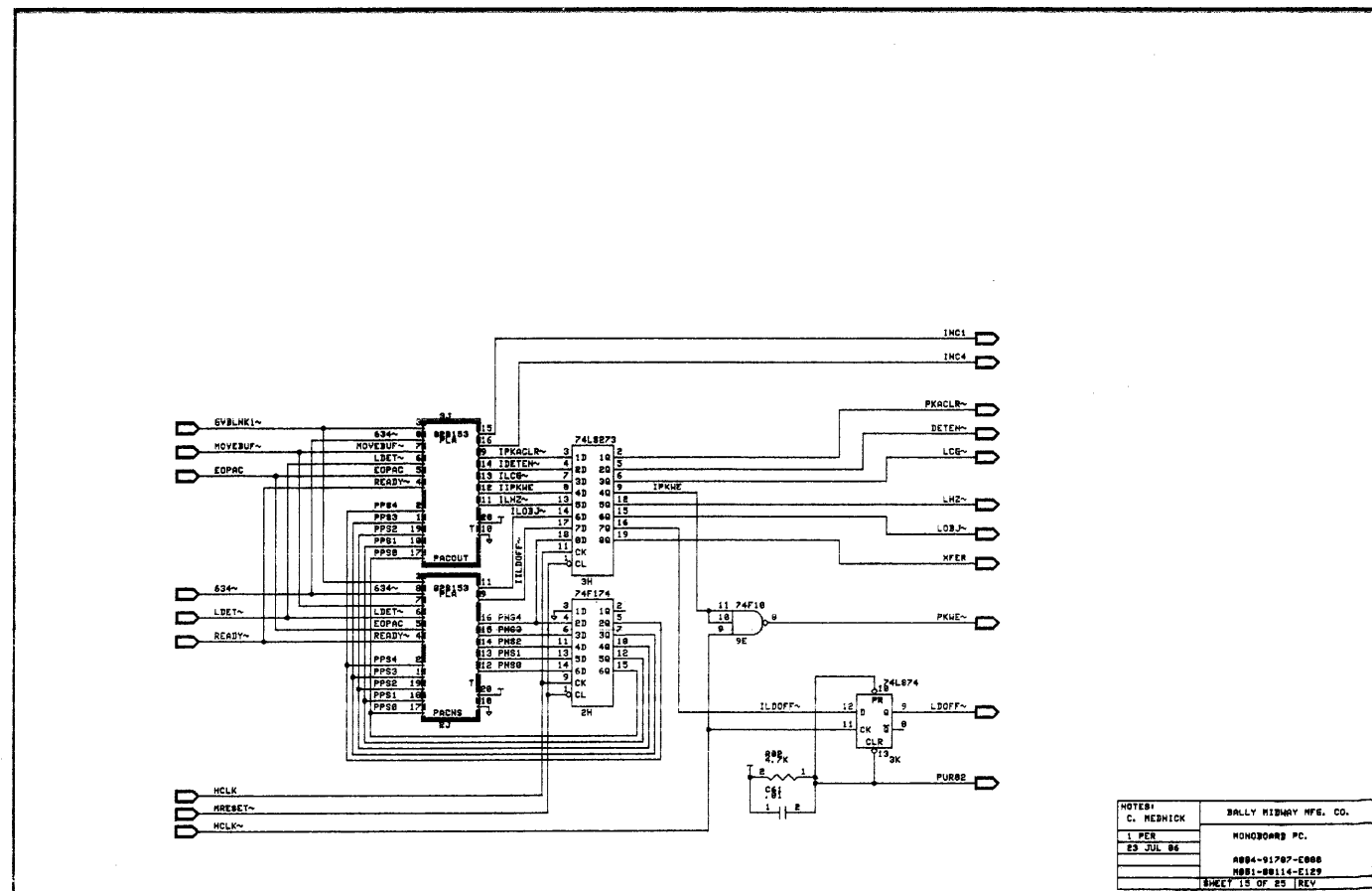
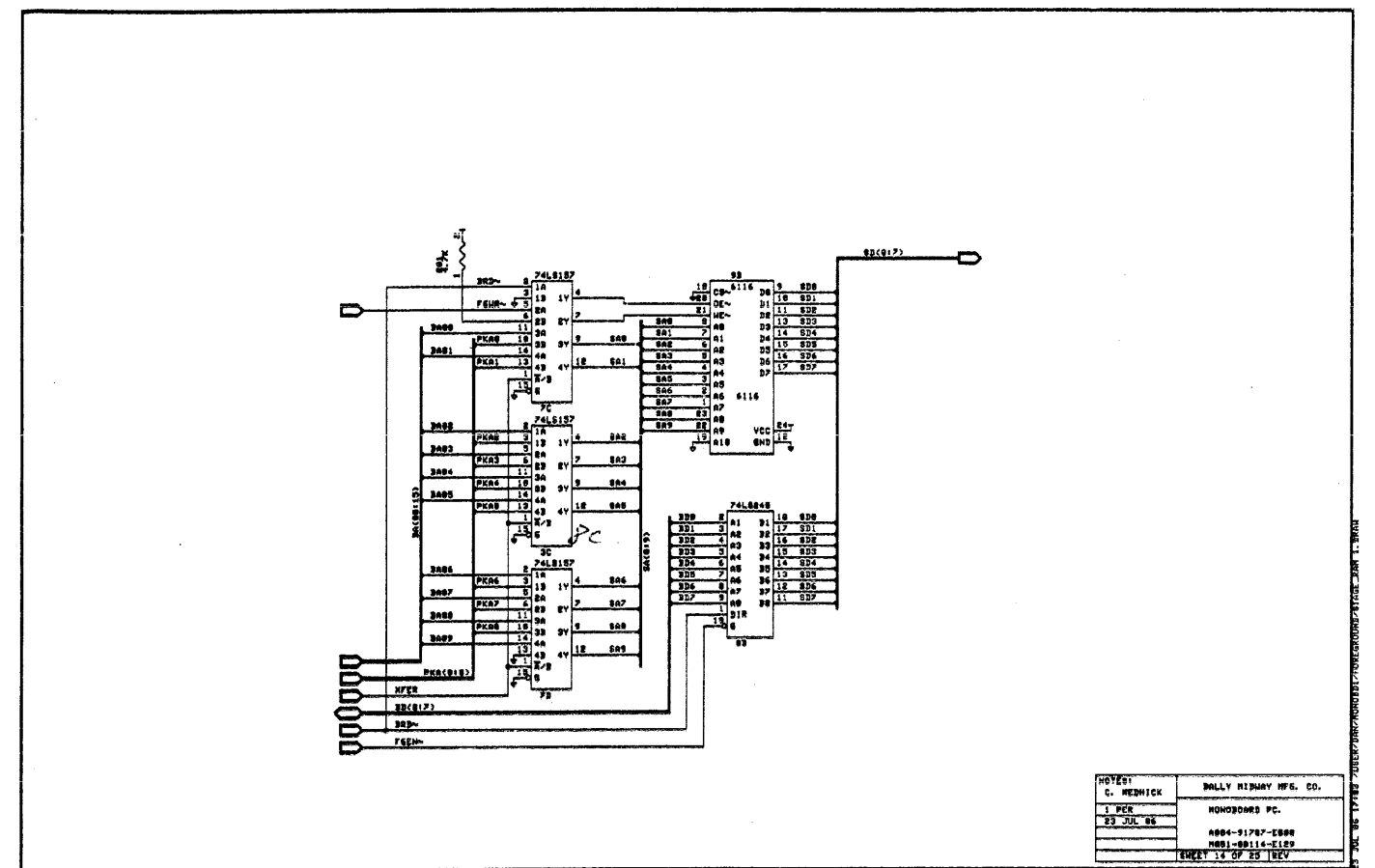
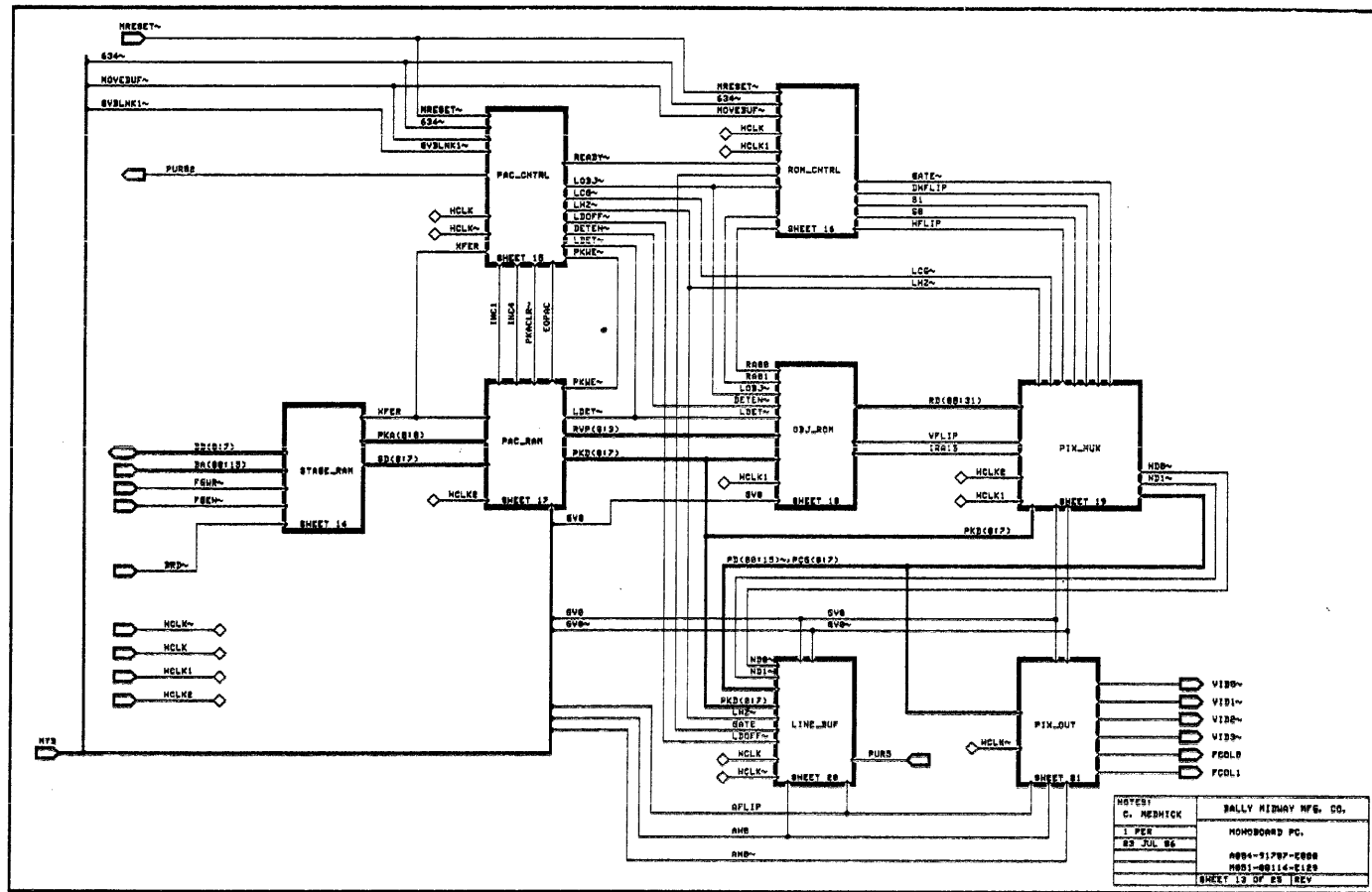
MONOBOARD
A084-91787-E000
M051-00114-E156

DESIGNATION LIST: Page 9 of 9 Rev. 2

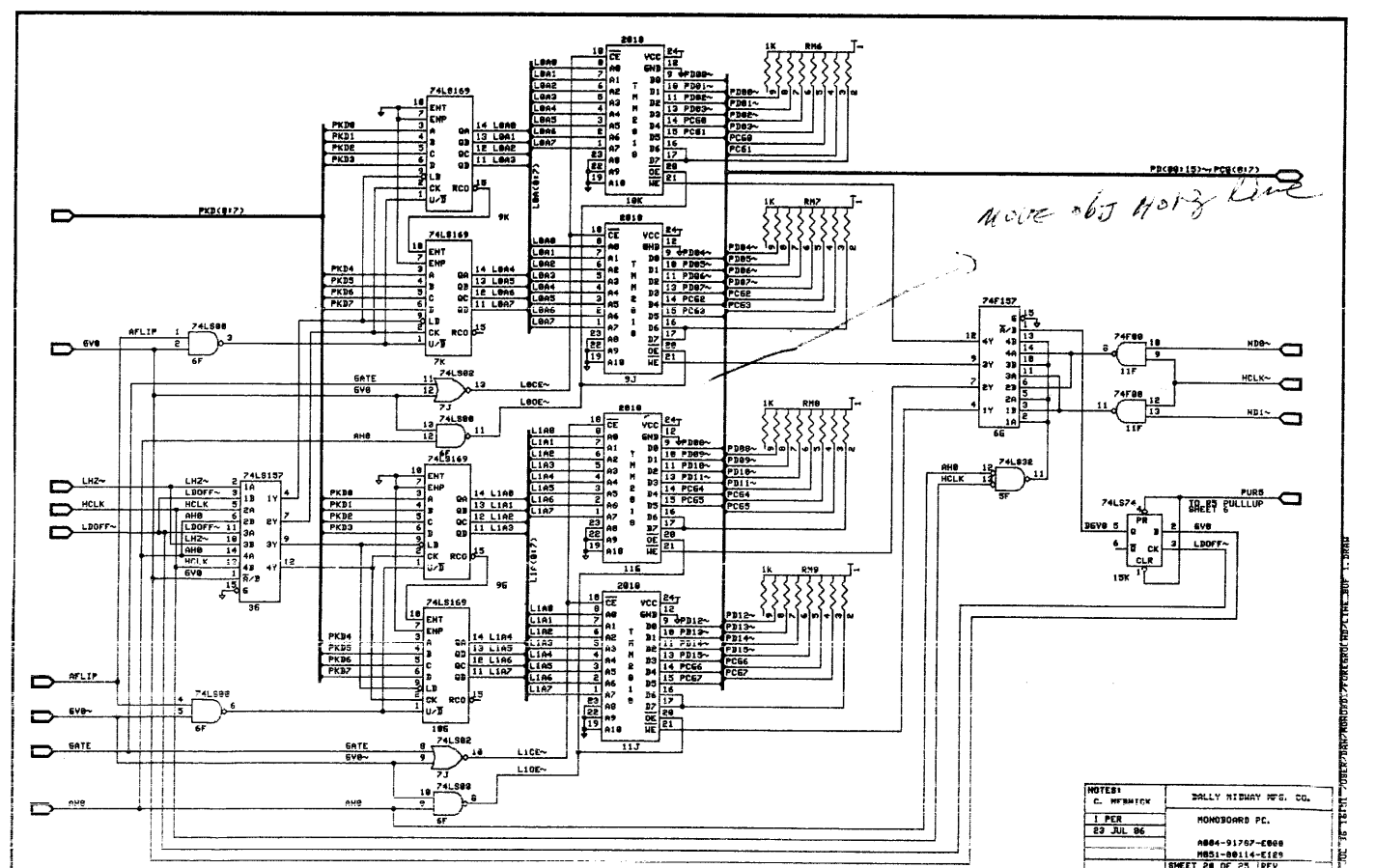
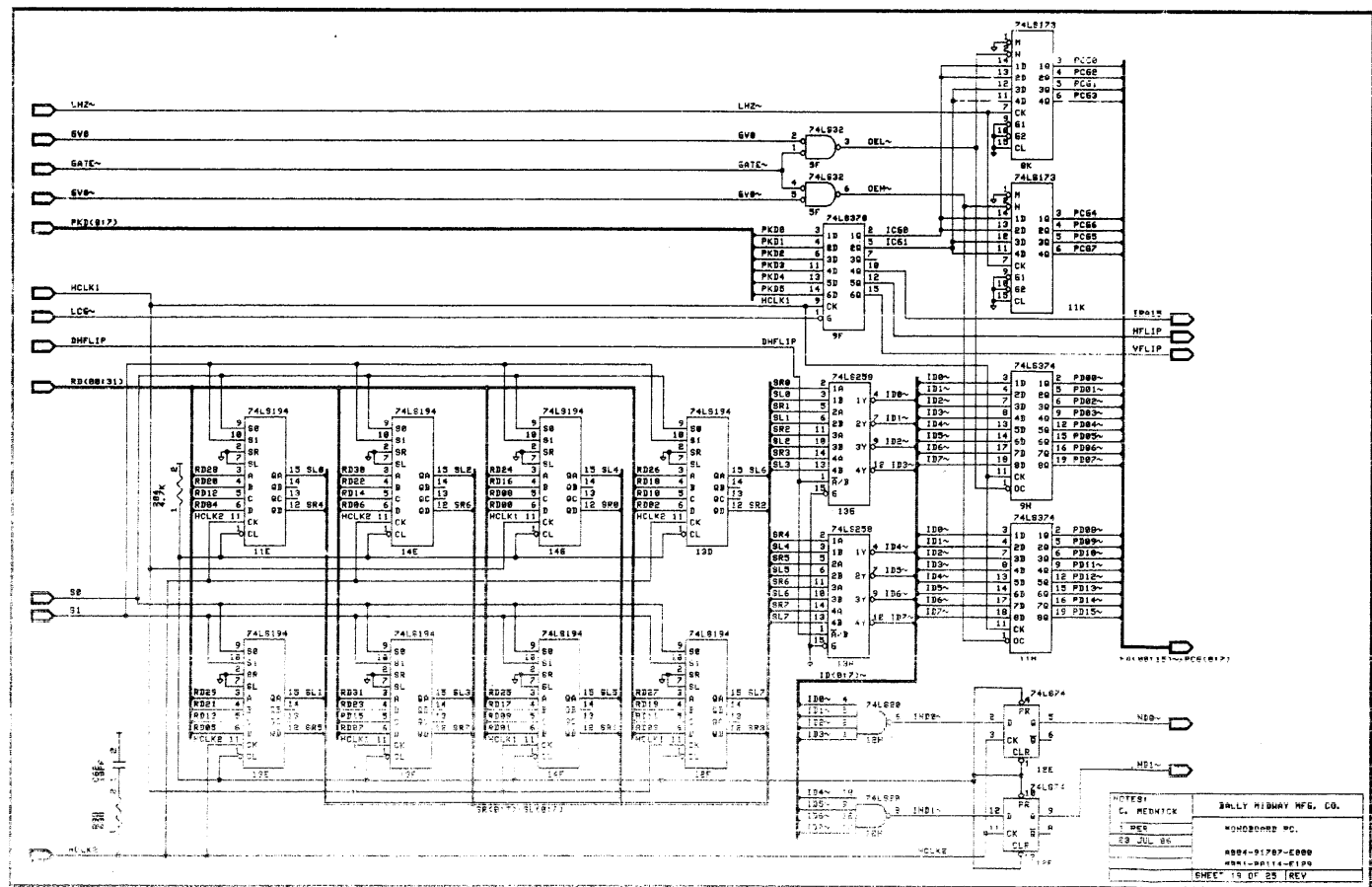
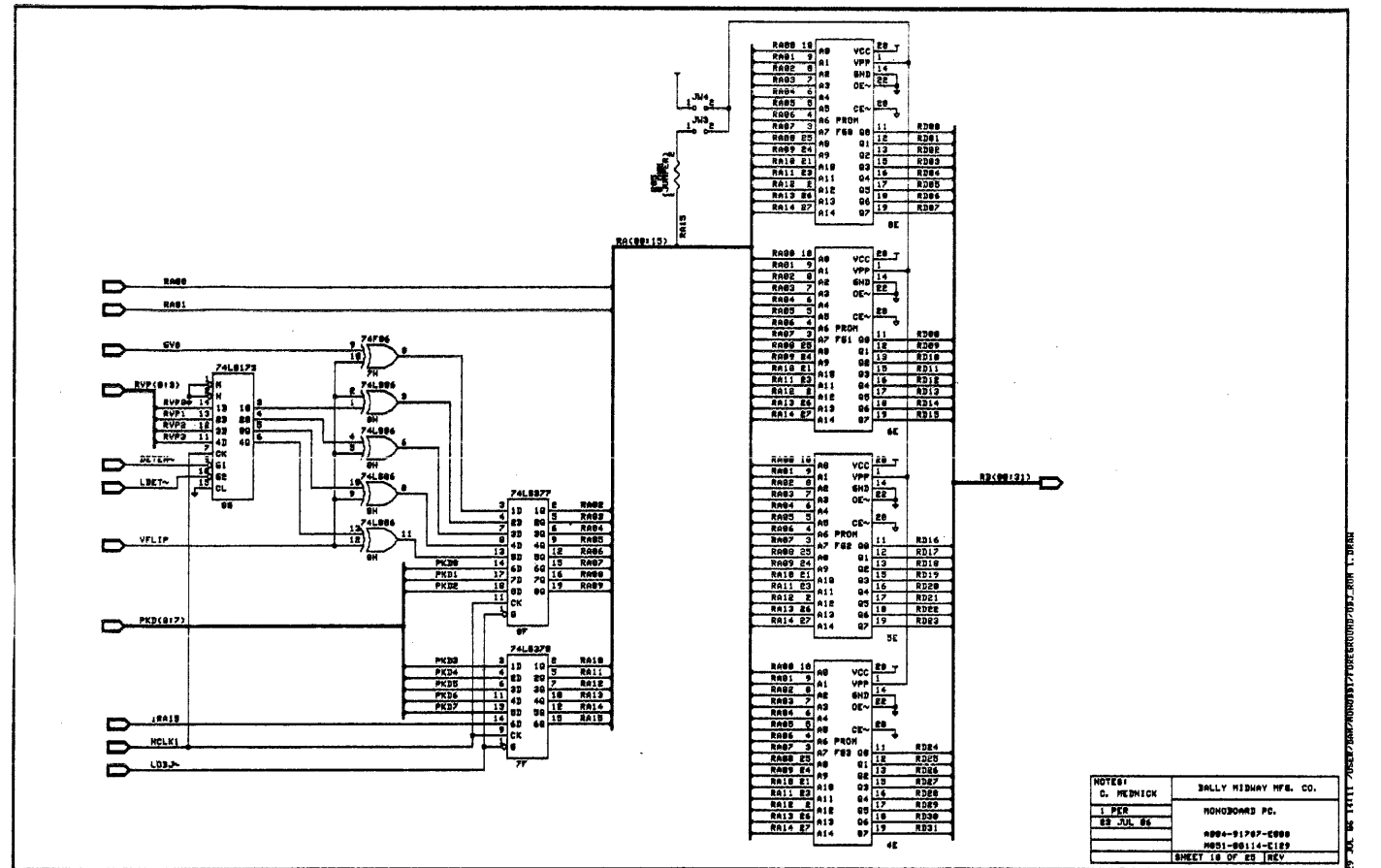
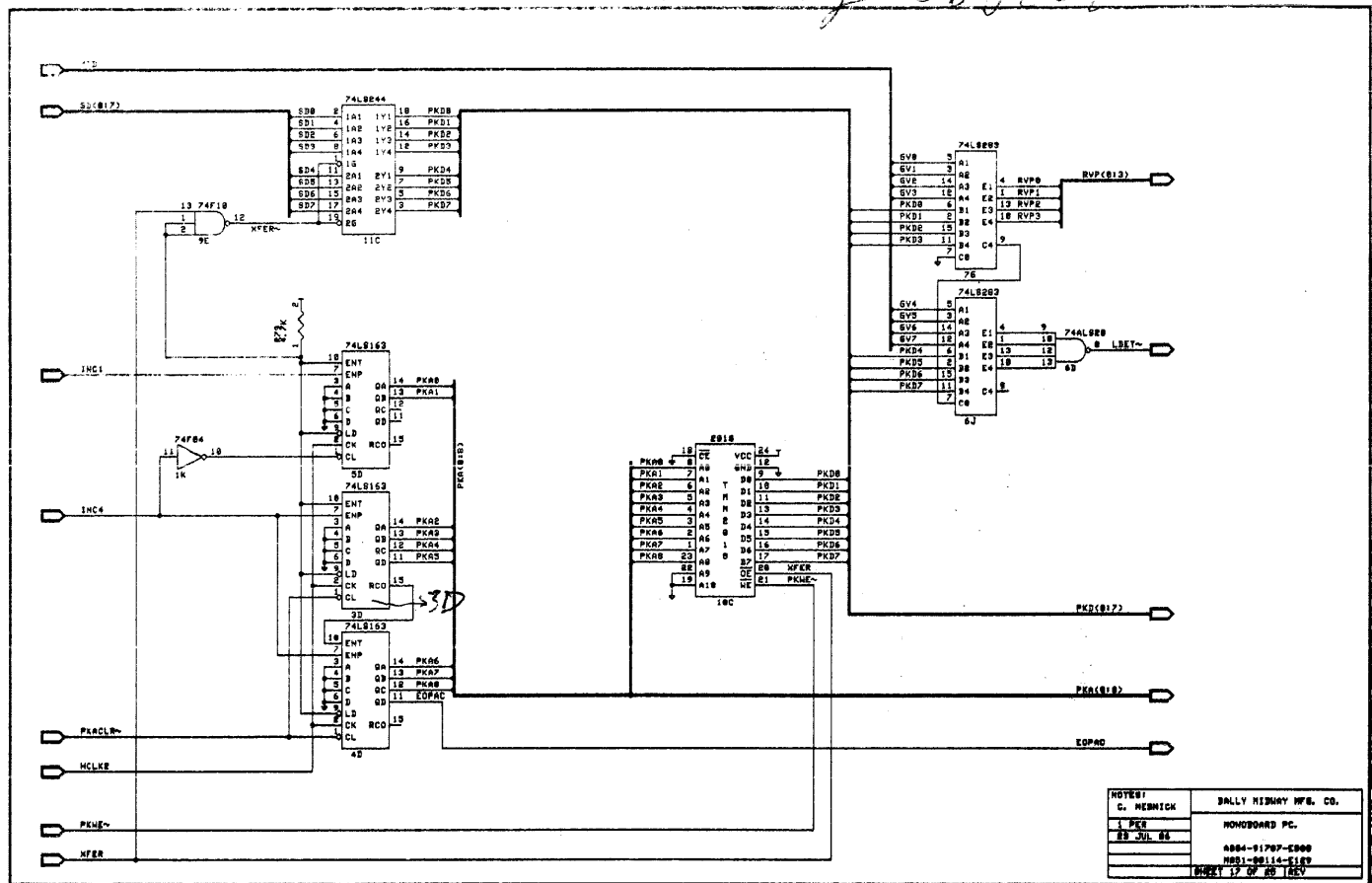
| DESCRIPTION | DESIGNATION NO. |
|------------------|--------------------------------------|
| IC 12K | 74LS298 |
| IC 13K | 74LS174 |
| IC 14K | 74F08 |
| IC 15K | 74LS74 |
| ICS 4A,15A,3B,5B | 28 PIN IC SOCKET (.600) |
| ICS 6B,9B,11B | 24 PIN IC SOCKET (.600) |
| ICS 14B | 28 PIN IC SOCKET (.600) |
| ICS 1C | 40 PIN IC SOCKET (.600) |
| ICS 2C | 28 PIN IC SOCKET (.600) |
| ICS 10C | 24 PIN IC SOCKET (.300) |
| ICS 3E | 16 PIN IC SOCKET (.300) |
| ICS 4E-6E,8E | 28 PIN IC SOCKET (.600) |
| ICS 4G | 24 PIN IC SOCKET (.300) |
| ICS 5G | 20 PIN IC SOCKET (.300) |
| ICS 11G | 24 PIN IC SOCKET (.300) |
| ICS 5H | 20 PIN IC SOCKET (.300) |
| ICS 6H | 24 PIN IC SOCKET (.300) |
| ICS 2J,3J | 20 PIN IC SOCKET (.300) |
| ICS 9J,11J | 24 PIN IC SOCKET (.300) |
| ICS 13J | 20 PIN IC SOCKET (.300) |
| ICS 10K | 24 PIN IC SOCKET (.300) |
| FB1-FB13 | FERRITE BEAD |
| SW1 | SWITCH PC. MTG. |
| SW2 | 10 POS. DIP SWITCH |
| JW1-JW6 | JUMPER |
| J1 | AUTO INSERT PINS TIN .045 SQ. PIN |
| J2-J6 | AUTO INSERT PINS TIN .025 SQ. PIN |
| MHQ3 | SNAP |
| PC BOARD | A080-91787-E000 |

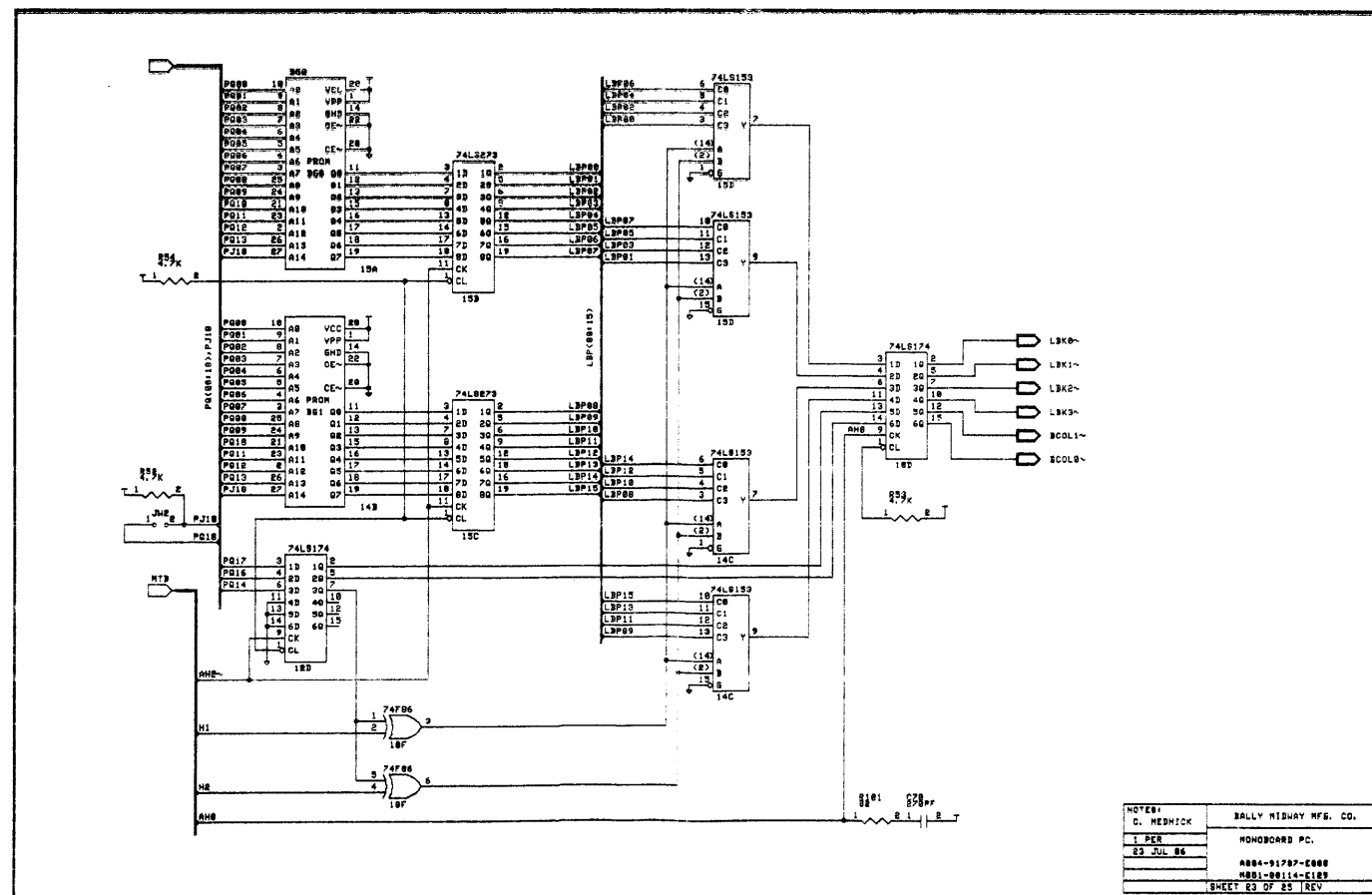
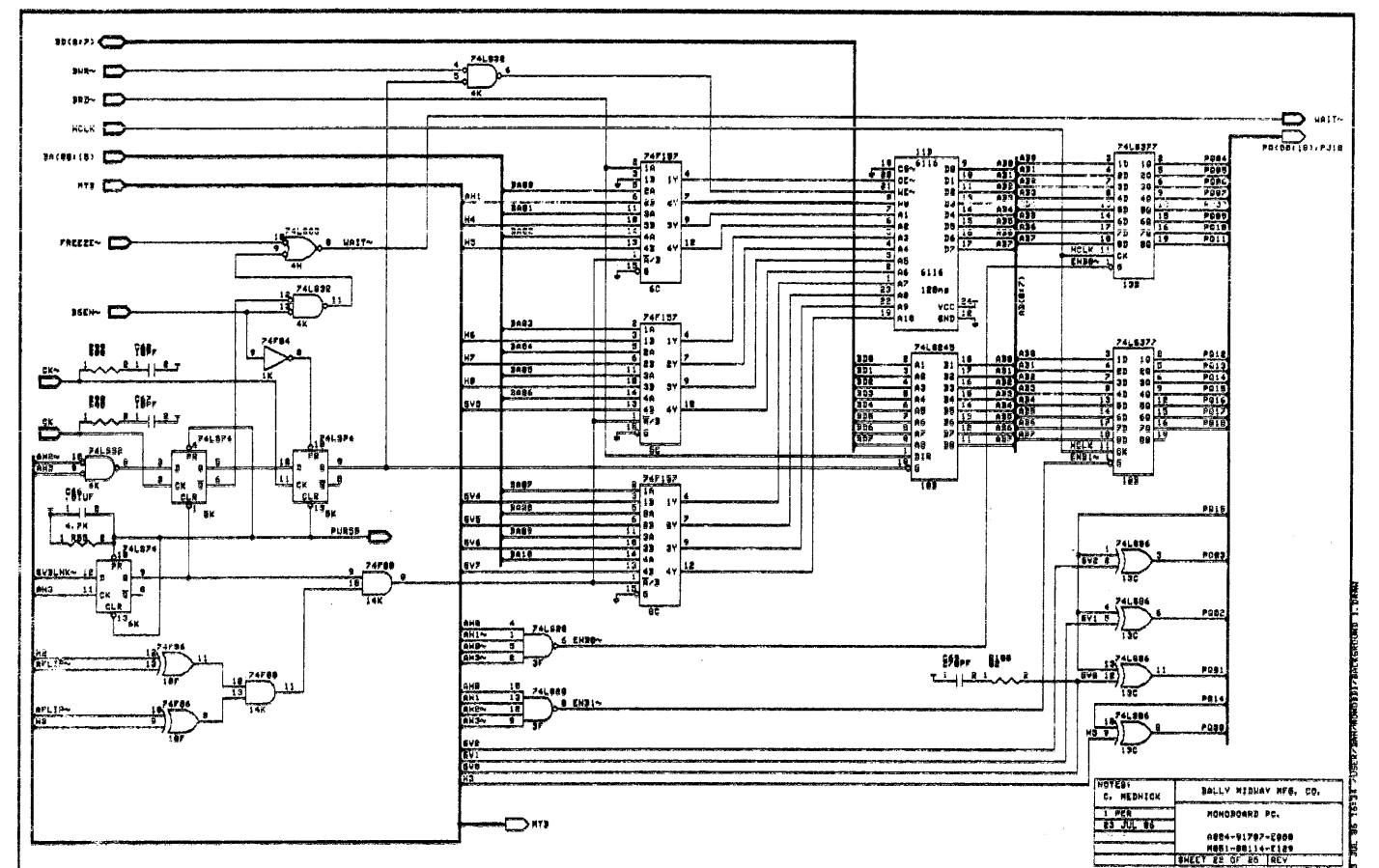
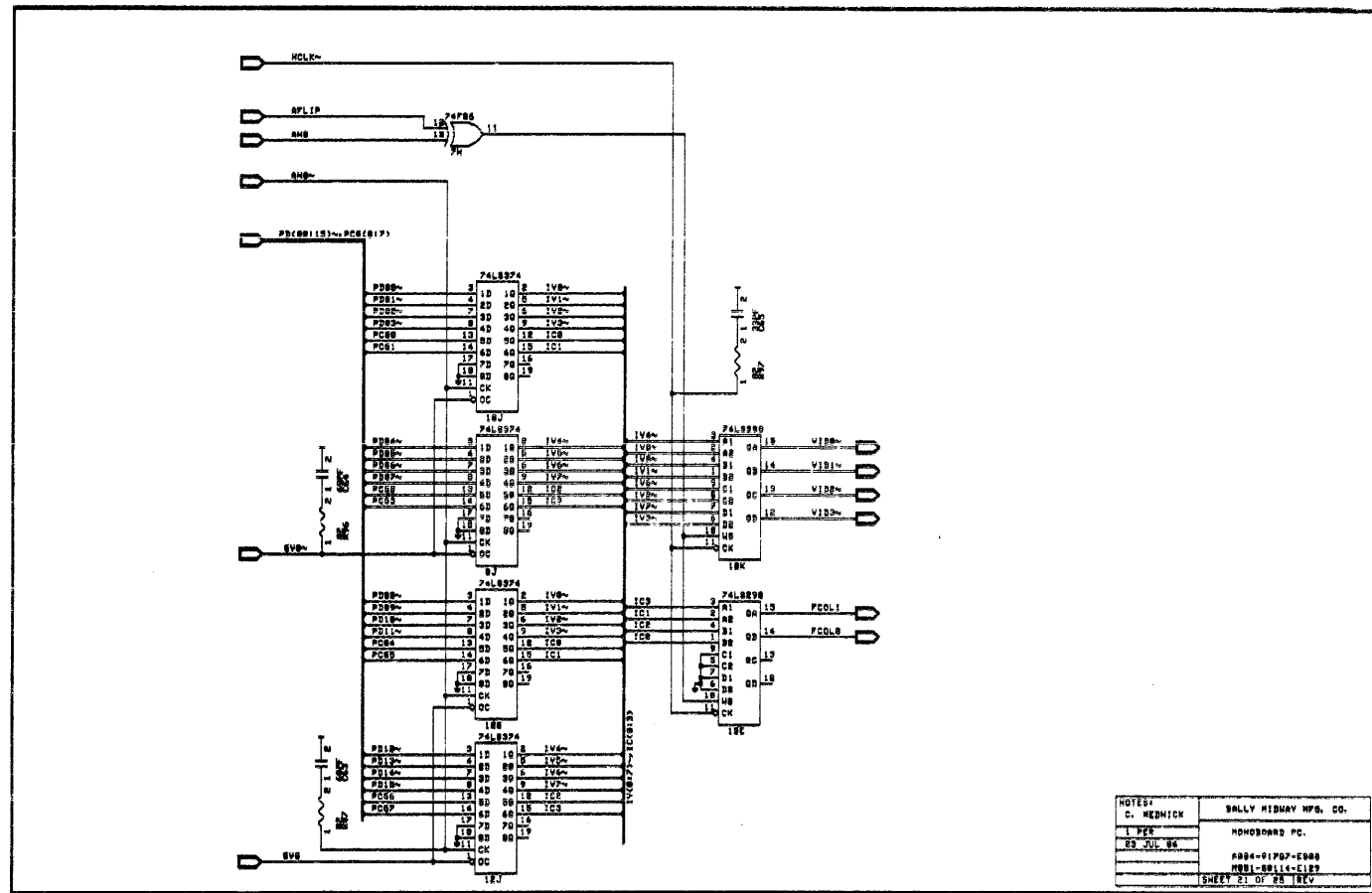
Released 23 July 86 CMM
Rev. 1 - 28 July 86 CMM - Changed R85 to zero ohm.
Rev. 2 - 31 July 86 CMM - Removed eeprom part #'s.





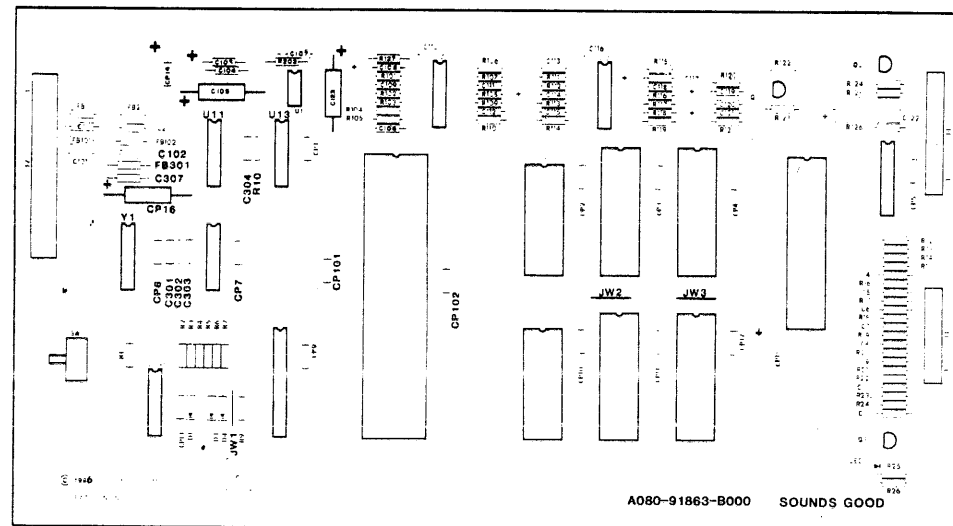
Routing Objection





DESIGNATION LIST

| <u>DESIGNATION</u> | <u>DESCRIPTION</u> |
|--------------------|---------------------|
| CP1-CP7,CP9-CP13 | .01MF AX CER. |
| CP14,CP15 | 10MF AX TANT. |
| CP16 | 100MF AX ELECT. |
| CP101,CP102 | 0.1UF AX CER. |
| C1,C2 | 390PF AX CER. |
| C3-C5 | 100PF AX CER. |
| C6,C7 | 820PF AX CER. |
| C8-C11 | 100PF AX CER. |
| C101,C102 | 390PF AX CER. |
| C103 | 1MF RD TANT. |
| C104 | .01MF AX CER. |
| C105 | 47MF AX ELECT. |
| C106 | 680PF AX CER. |
| C107 | .01MF AX CER. |
| C108 | 1MF RD TANT. |
| C109 | 68PF AX CER 10% |
| C110 | .01 MF AX CER. |
| C111 | 150PF AX CER 10% |
| C112 | 470 PF AX CER 10% |
| C113 | 270 PF AX CER 10% |
| C114 | 1MF RD TANT. |
| C115 | 5600PF AX CER 10% |
| C116 | .01MF AX CER. |
| C117 | 1MF RD TANT. |
| C118 | 270PF AX CER 10% |
| C119 | 10MF RD TANT. |
| C120 | .01MF AX CER. |
| C121 | 10MF RD TANT. |
| C122 | 47MF AX ELECT. |
| C123 | 100MF AX ELECT. |
| C301 | 330PF AX CER. |
| C302,C303 | 470PF AX CER 10% |
| C304,C307 | 0.1UF AX CER. |
| R1-R3 | 4.7K OHM 1/4W CRBN. |
| R4 | 10K OHM 1/4W CRBN. |
| R5 | 100K OHM 1/4W CRBN. |
| R6-R7,R9 | 4.7K OHM 1/4W CRBN. |
| R10 | 1K OHM 1/4W CRBN. |
| R12-R14 | 4.7K OHM 1/4W CRBN. |
| R15,R16 | 10K OHM 1/4W CRBN. |
| R17,R18 | 100 OHM 1/4W CRBN. |
| R19-R21 | 10K OHM 1/4W CRBN. |



| | | | | | |
|--------------------------------|--------------|--|--|-------------------------|--|
| PROJECT ENG: CARY MEDNICK | | USED ON | | REVISIONS | |
| DO NOT SCALE DWG | | SCALE FULL | | NO REVD | |
| DIM TOLERANCE UNLESS SPECIFIED | | SOUNDS GOOD ASSY. DWG. (A084-91863-B000) | | PART NO M051-00114-B150 | |
| DATE 6/12/86 | DESIGNER DBS | DRAWN | | CHECKED | |
| APPROVED | | DATE | | BY | |

DESIGNATION LIST

| <u>DESIGNATION</u> | <u>DESCRIPTION</u> |
|--------------------|---------------------|
| R22 | 100K OHM 1/4W CRBN. |
| R23 | 10K OHM 1/4W CRBN. |
| R24 | 100K OHM 1/4W CRBN. |
| R25 | 100 OHM 1/4W CRBN. |
| R26 | 47K OHM 1/4W CRBN. |
| R101 | 12K OHM 1/4W CRBN. |
| R102 | 160K OHM 1/4W CRBN. |
| R103 | 100 OHM 1/4W CRBN. |
| R104 | 330K OHM 1/4W CRBN. |
| R105 | 24K OHM 1/4W CRBN. |
| R106 | 3.3K OHM 1/4W CRBN. |
| R107 | 24K OHM 1/4W CRBN. |
| R108 | 150K OHM 1/4W CRBN. |
| R109 | 82K OHM 1/4W CRBN. |
| R110 | 510K OHM 1/4W CRBN. |
| R111,R112 | 120K OHM 1/4W CRBN. |
| R113 | 33K OHM 1/4W CRBN. |
| R114 | 330K OHM 1/4W CRBN. |
| R115 | 150K OHM 1/4W CRBN. |
| R116 | 33K OHM 1/4W CRBN. |
| R117 | 18K OHM 1/4W CRBN. |
| R118 | 100K OHM 1/4W CRBN. |
| R119 | 510K OHM 1/4W CRBN. |
| R120 | 47K OHM 1/4W CRBN. |
| R121 | 1K OHM 1/4W CRBN. |
| R122 | 2.7K OHM 1/4W CRBN. |
| R123,R124 | 360 OHM 1/4W CRBN. |
| R125 | 180 OHM 1/4W CRBN. |
| R126 | 2.7K OHM 1/4W CRBN. |
| R127 | 560K OHM 1/4W CRBN. |
| R202 | 100 OHM 1/4W CRBN. |
| D1,D3-D4 | 1N5817 |
| Q1-Q3 | 2N5305 |
| U1 | MC3340 |
| U2,U3 | LM359 |
| U5 | 68000G8 CPU |
| U6 | RAM 2K X 8 |
| U7,U8 | ROM/EPROM |
| U9 | 6821 P.I.A. |
| U10 | AD7533JN DAC |
| U11 | 14584/40106 |
| U12 | 74S74 |
| U13 | 74LS04 |

DESIGNATION LIST

| <u>DESIGNATION</u> | <u>DESCRIPTION</u> |
|--------------------|------------------------------|
| U14 | 74F32 |
| U15 | SG01R0 PAL |
| U16 | PAM 2K X 8 |
| U17,U18 | ROM/EPROM |
| FB1,FB2 | FERRITE BEAD |
| FB101,FB102 | FERRITE BEAD |
| FB301 | FERRITE BEAD |
| ICS U5 | 64 PIN IC SOCKET |
| ICS U6 | 24 PIN IC SOCKET .600 |
| ICS U7,U8 | 28 PIN IC SOCKET |
| ICS U9 | 40 PIN IC SOCKET |
| ICS U10 | 16 PIN IC SOCKET |
| ICS U15 | 24 PIN IC SOCKET .300 |
| ICS U16 | 24 PIN IC SOCKET .600 |
| ICS U17,U18 | 28 PIN IC SOCKET |
| J1 | AUTO INSERT PIN TIN .025 SQ. |
| J2 | AUTO INSERT PIN TIN .045 SQ. |
| J3 | AUTO INSERT PIN TIN .025 SQ. |
| JW1-JW3 | ZERO OHM RESISTOR |
| LED 1 | GREEN LED |
| SW1 | SWITCH PC MTG. |
| Y1 | 16 MHZ XSTAL OSC. |

CROSS REFERENCE

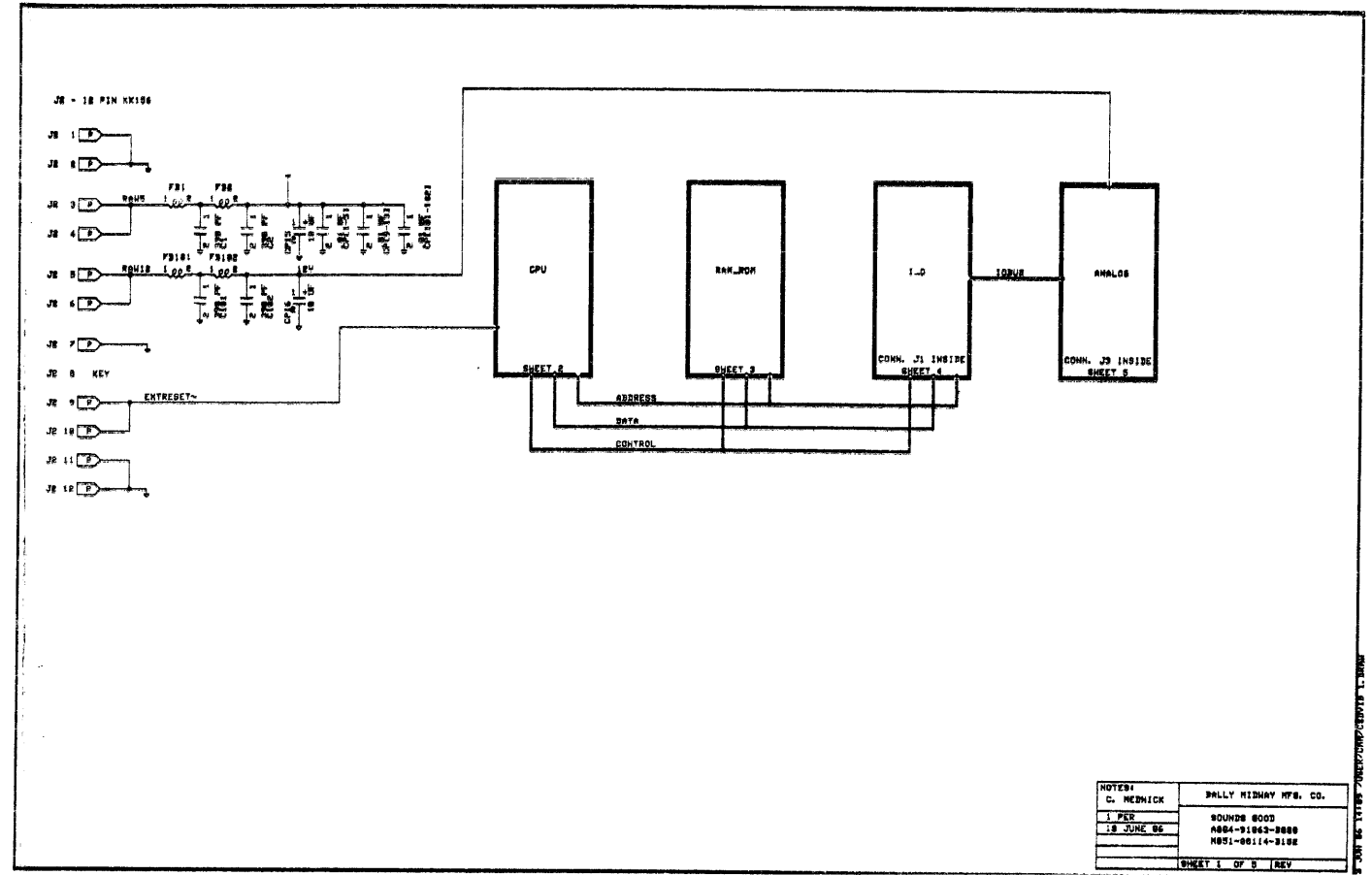
| <u>DESCRIPTION</u> | <u>QTY.</u> | <u>DESIGNATION</u> | <u>PART NUMBER</u> |
|--------------------|-------------|--------------------------------|--------------------|
| 68 PF AX CER 10% | 1 | C109 | 0307-00800-0011 |
| 100 PF AX CER | 7 | C3-C5,C8-C11 | 0304-00800-0001 |
| 150 PF AX CER 10% | 1 | C111 | 0307-00800-0010 |
| 270 PF AX CER 10% | 2 | C113,C118 | 0307-00800-0009 |
| 330 PF AX CER | 1 | C301 | 0300-00800-1402 |
| 390 PF AX CER | 4 | C1,C2,C101,C102 | 0986-00800-3000 |
| 470 PF AX CER 10% | 3 | C112,C302,C303 | 0307-00800-0008 |
| 680 PF AX CER | 1 | C106 | 0358-00800-0002 |
| 820 PF AX CER | 2 | C6,C7 | 0304-00800-0002 |
| 5600 PF AX CER 10% | 1 | C115 | 0307-00800-0007 |
| .01 MF AX CER | 17 | C104,C107,C110 | 0986-00800-2200 |
| | | C116,C120,CP1-CP7, CP9-CP13 | |
| 0.1 UF AX CER | 4 | C304,C307,CP101,CP102 | 0986-00800-0200 |
| 1 MF RD TANT | 4 | C103,C108,C114,C117 | 0307-00800-0004 |
| 10 MF AX TANT | 2 | CP14,CP15 | 0986-00800-0700 |
| 10 MF RD TANT | 2 | C119,C121 | 0307-00800-0005 |
| 47 MF AX ELECT | 2 | C105,C122 | 0307-00800-0003 |
| 100 MF AX ELECT | 2 | CP16,C123 | 0307-00800-0006 |
| 100 OHM 1/4W CRBN | 5 | R17,R18,R25,R103, R202 | 100E-00005-0033 |
| | | R125 | 100E-00005-0039 |
| 180 OHM 1/4W CRBN | 1 | R123,R124 | 100E-00005-0048 |
| 360 OHM 1/4W CRBN | 2 | R10,R121 | 100E-00005-0061 |
| 1K OHM 1/4W CRBN | 2 | R122,R126 | 100E-00005-0071 |
| 2.7K OHM 1/4W CRBN | 2 | R106 | 100E-00005-0074 |
| 3.3K OHM 1/4W CRBN | 1 | R1-R3,R6-R7,R9 | 100E-00005-0079 |
| 4.7K OHM 1/4W CRBN | 9 | R12-R14 | |
| | | R4,R15,R16,R19-R21, R23 | 100E-00005-0088 |
| | | R101 | 100E-00005-0090 |
| 12K OHM 1/4W CRBN | 1 | R117 | 100E-00005-0093 |
| 18K OHM 1/4W CRBN | 1 | R105,R107 | 100E-00005-0097 |
| 24K OHM 1/4W CRBN | 2 | R113,R116 | 100E-00005-0100 |
| 33K OHM 1/4W CRBN | 2 | R26,R120 | 100E-00005-0104 |
| 47K OHM 1/4W CRBN | 2 | R109 | 100E-00005-0112 |
| 82K OHM 1/4W CRBN | 1 | R5,R22,R24,R118 | 100E-00005-0115 |
| 100K OHM 1/4W CRBN | 4 | R111,R112 | 100E-00005-0118 |
| 120K OHM 1/4W CRBN | 2 | R108,R115 | 100E-00005-0120 |
| 150K OHM 1/4W CRBN | 2 | R102 | 100E-00005-0121 |
| 160K OHM 1/4W CRBN | 1 | R104,R114 | 100E-00005-0128 |
| 330K OHM 1/4W CRBN | 2 | R110,R119 | 100E-00005-0133 |
| 510K OHM 1/4W CRBN | 2 | R127 | 100E-00005-0134 |
| 560K OHM 1/4W CRBN | 1 | | |
| | | D1,D3-D4 | 103E-00003-0009 |
| 1N5817 | 3 | | |
| | | Q1-Q3 | 0360-00802-0012 |
| 2N5305 | 3 | | |
| | | U13 | 0304-00803-0050 |
| 74LS04 | 1 | U14 | 0304-00802-0012 |
| 74F32 | 1 | | |

SOUNDS GOOD
A084-91863-B000
M051-00114-B151 (Page 5 of 5)

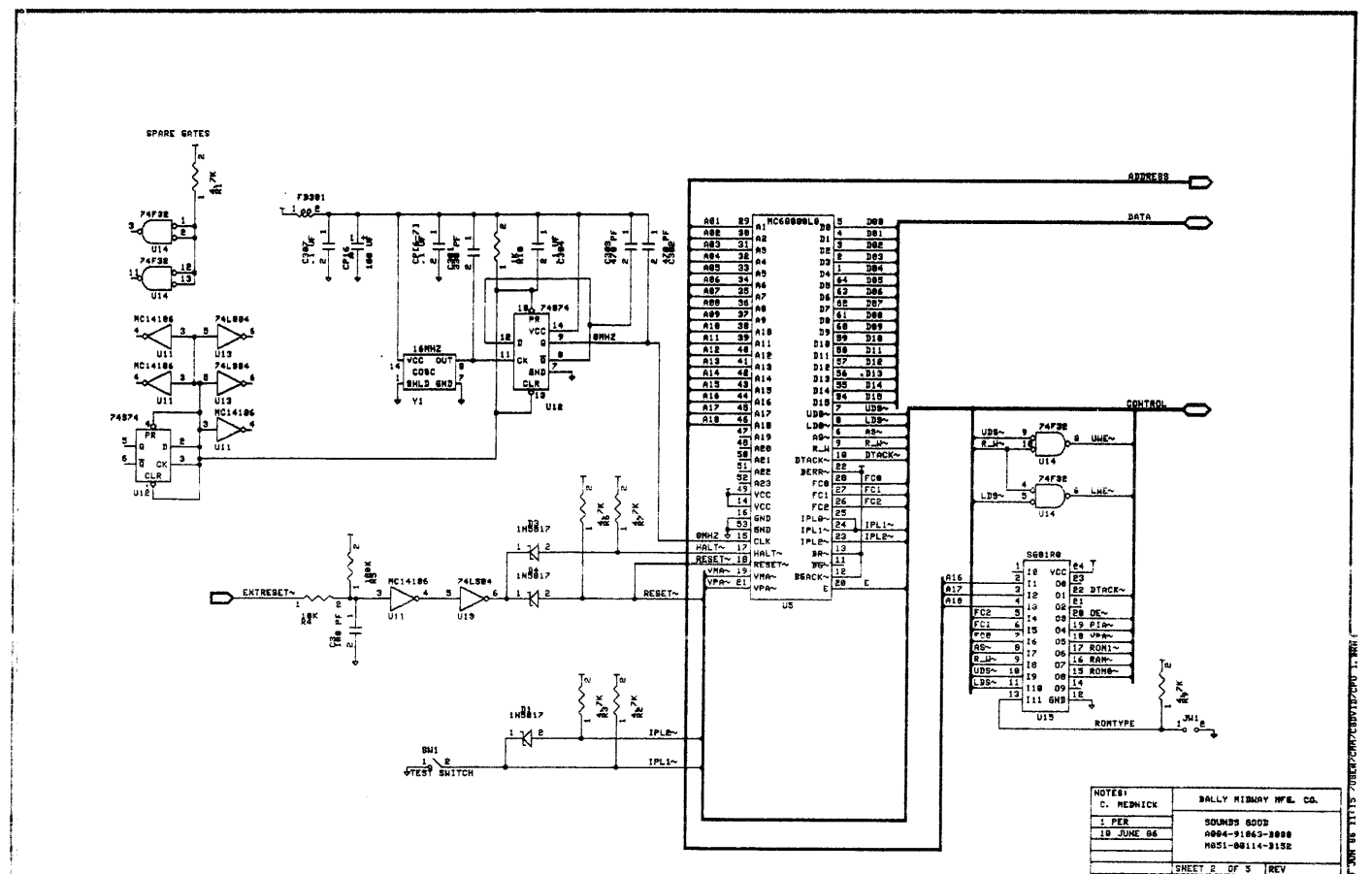
CROSS REFERENCE

| DESCRIPTION | QTY. | DESIGNATION | PART NUMBER |
|-----------------------------|------|---------------------------|---------------------|
| 74S74 | 1 | U12 | 0304-00803-0061 |
| 14584/40106 | 1 | U11 | 0304-00803-0056 |
| 6821 PIA | 1 | U9 | 0304-00803-0054 |
| 68000G8 CPU | 1 | U5 | 0304-00803-0051 |
| AD7533JN DAC | 1 | U10 | 0304-00803-0055 |
| SG01RO PAL | 1 | U15 | 0E36-00803-0009 |
| LM359 | 2 | U2,U3 | 0304-00803-0053 |
| MC3340 | 1 | U1 | 0358-00803-0002 |
| RAM 2KX8 | 2 | U6,U16 | 0304-00803-0057 |
| ROM/EPROM | 1 | U7 | |
| ROM/EPROM | 1 | U8 | SEE ROM/EPROM CHART |
| ROM/EPROM | 1 | U17 | |
| ROM/EPROM | 1 | U18 | |
| FERRITE BEAD | 5 | FB1,FB2,FB101,FB102,FB301 | 0316-00804-0002 |
| 16 PIN IC SOCKET | 1 | ICS U10 | 110E-00001-0003 |
| 24 PIN IC SOCKET .300 | 1 | ICS U15 | 110E-00001-0009 |
| 24 PIN IC SOCKET .600 | 2 | ICS U6,U16 | 110E-00001-0007 |
| 28 PIN IC SOCKET | 4 | ICS U7,U8,U17,U18 | 110E-00001-0010 |
| 40 PIN IC SOCKET | 1 | ICS U9 | 110E-00001-0011 |
| 64 PIN IC SOCKET | 1 | ICS U5 | 110E-00001-0016 |
| AUTO INSERT PIN TIN .025 SQ | 8 | J1 | 0304-00804-0009 |
| AUTO INSERT PIN TIN .025 SQ | 11 | J3 | 0304-00804-0009 |
| AUTO INSERT PIN TIN .045 SQ | 11 | J2 | 0304-00804-0010 |
| ZERO OHM RES | 3 | JW1-JW3 | 117E-00001-0003 |
| GREEN LED | 1 | LED 1 | 119E-00001-0001 |
| SWITCH PC MTG | 1 | SW1 | 0986-00804-3100 |
| 16 MHZ XSTAL OSC | 1 | Y1 | 0304-00804-0008 |
| PC BOARD | 1 | | A080-91671-G000 |

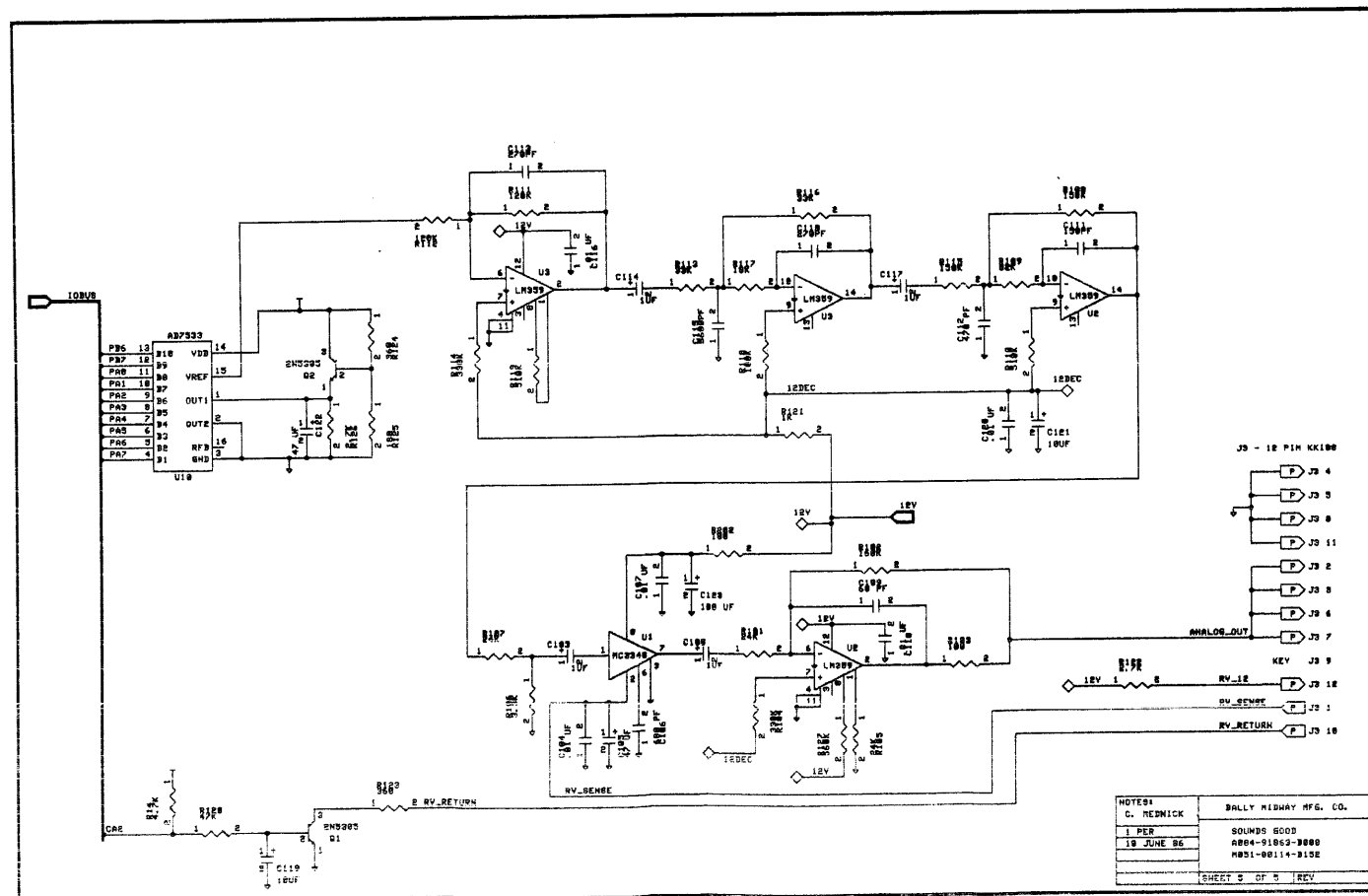
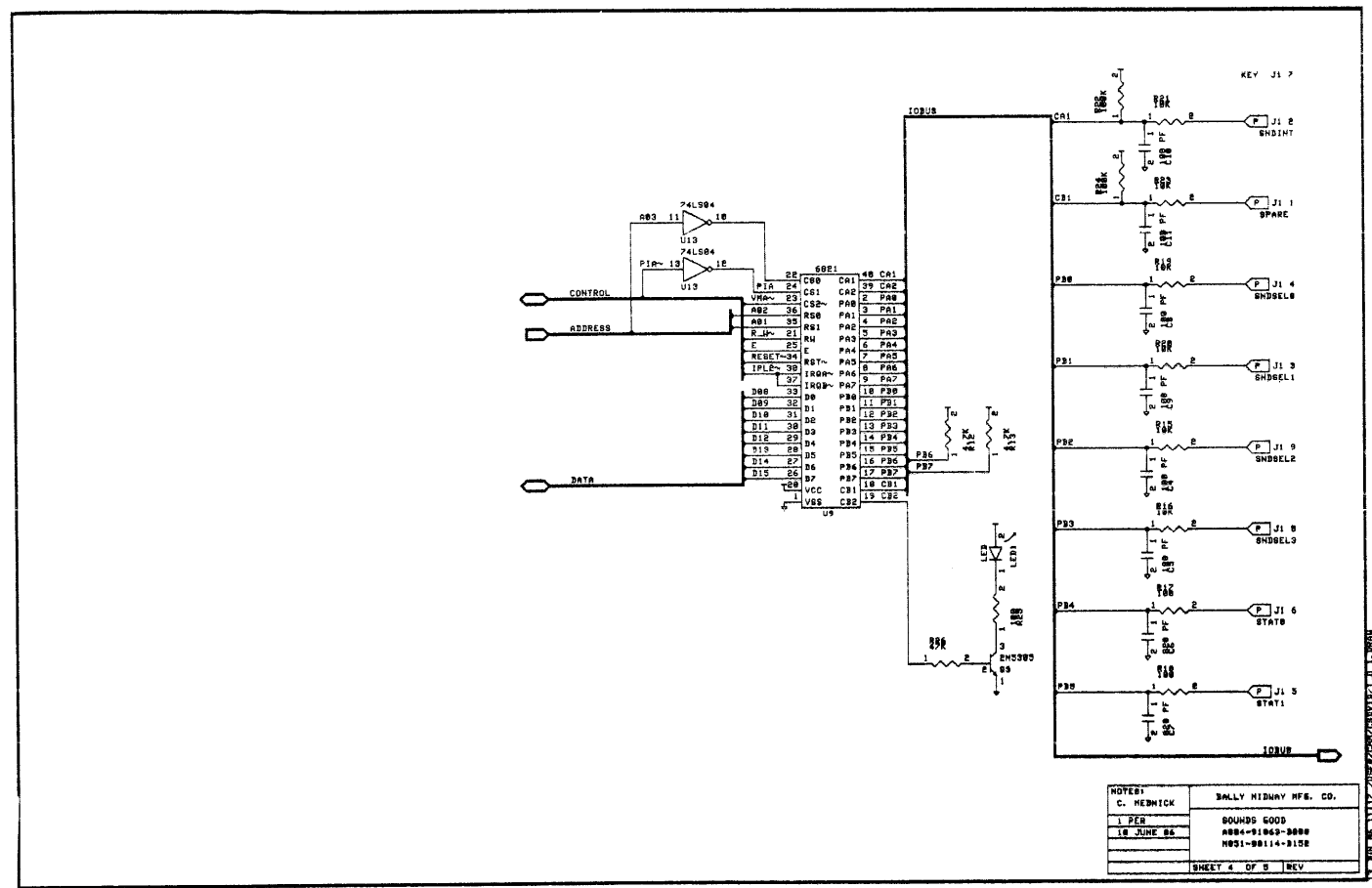
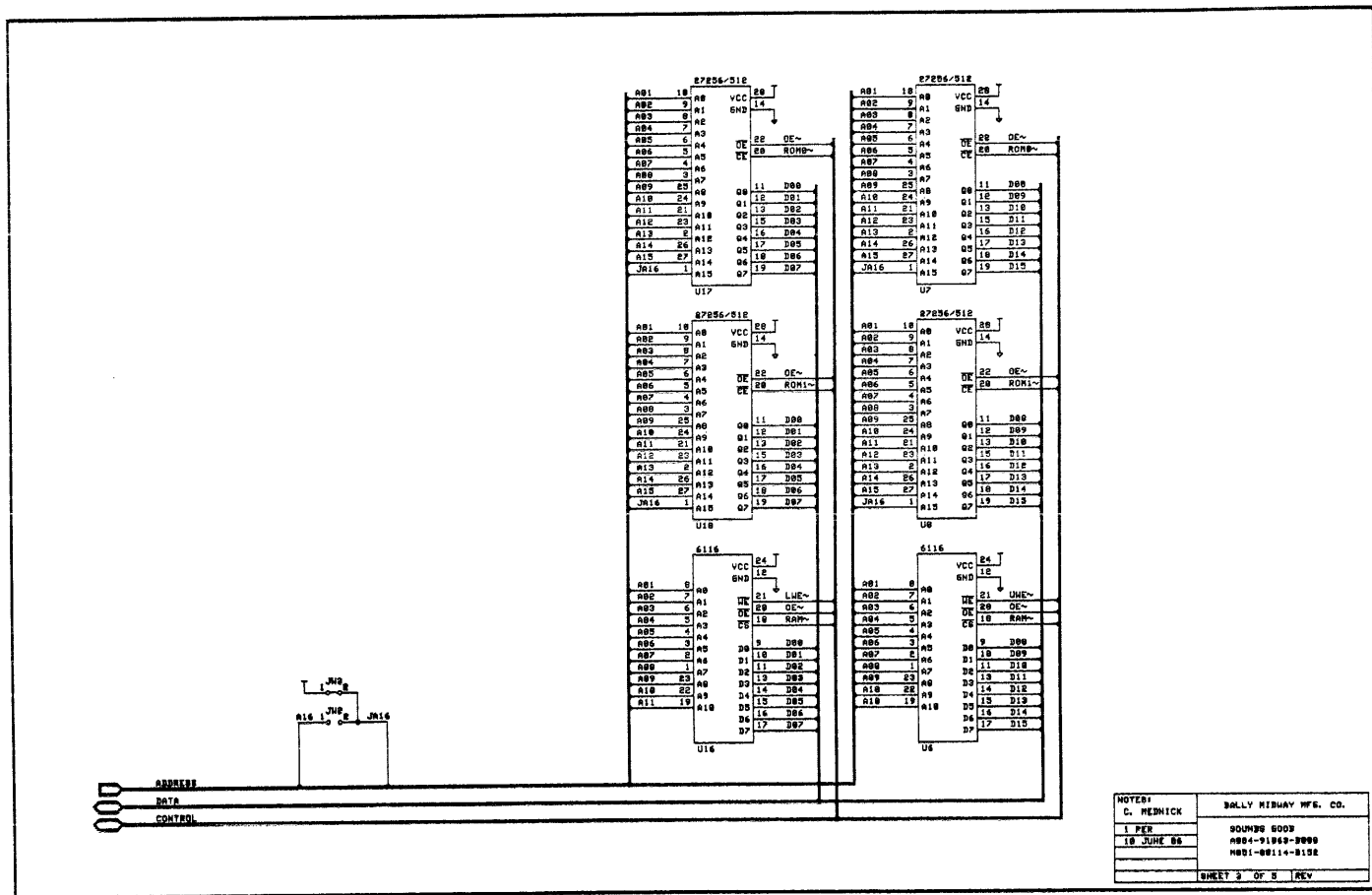
6-13-86 Released for Production, CMM.
6-26-86 Rev. 1.0 CMM - Changed R101 from 24K to 12K.



| | |
|------------|-----------------------|
| NOTES: | BALLY HINNEY MFG. CO. |
| C. MEDNICK | SOUNDS GOOD |
| 1 PER | A084-91863-B000 |
| 18 JUNE 86 | M051-00114-B151 |
| | SHEET 1 OF 5 (REV) |

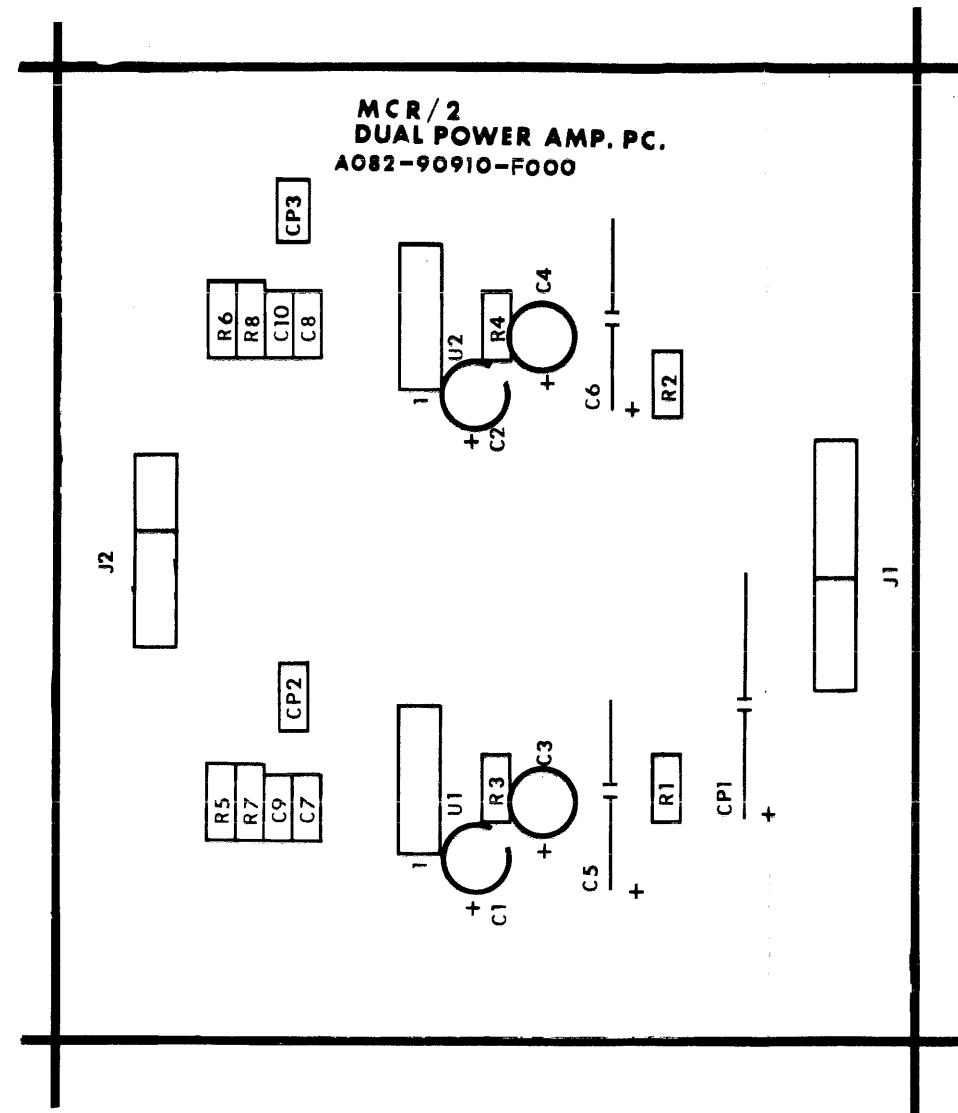


| | |
|------------|-----------------------|
| NOTES: | BALLY HINNEY MFG. CO. |
| C. MEDNICK | SOUNDS GOOD |
| 1 PER | A084-91863-B000 |
| 18 JUNE 86 | M051-00114-B151 |
| | SHEET 2 OF 5 (REV) |



DESIGNATION LIST

| DESIGNATION NO. | DESCRIPTION |
|-----------------|--------------------------|
| C1,C2 | 4.7 MF 25V RD TANT |
| C3,C4 | 22 MF 6V RD TANT |
| C5,C6 | 470 MF 6V AX ELEC |
| C7-C10 | .1 MF 50V AX CER |
| CP1 | 220 MF 25V AX ELEC |
| CP2,CP3 | .1 MF 50V AX CER |
| R1,R2 | 2.7K OHM 1/4W 5% CRBN |
| R3,R4 | 27 OHM 1/4W 5% CRBN |
| R5-R8 | 1 OHM 1/2W 5% CRBN |
| U1,U2 | MB3730 |
| J1 | 7 PIN |
| J2 | 5 PIN |
| HSA1,2 | HEATSINK ASSY |
| MH1-MH4 | 1/4" SPACER |



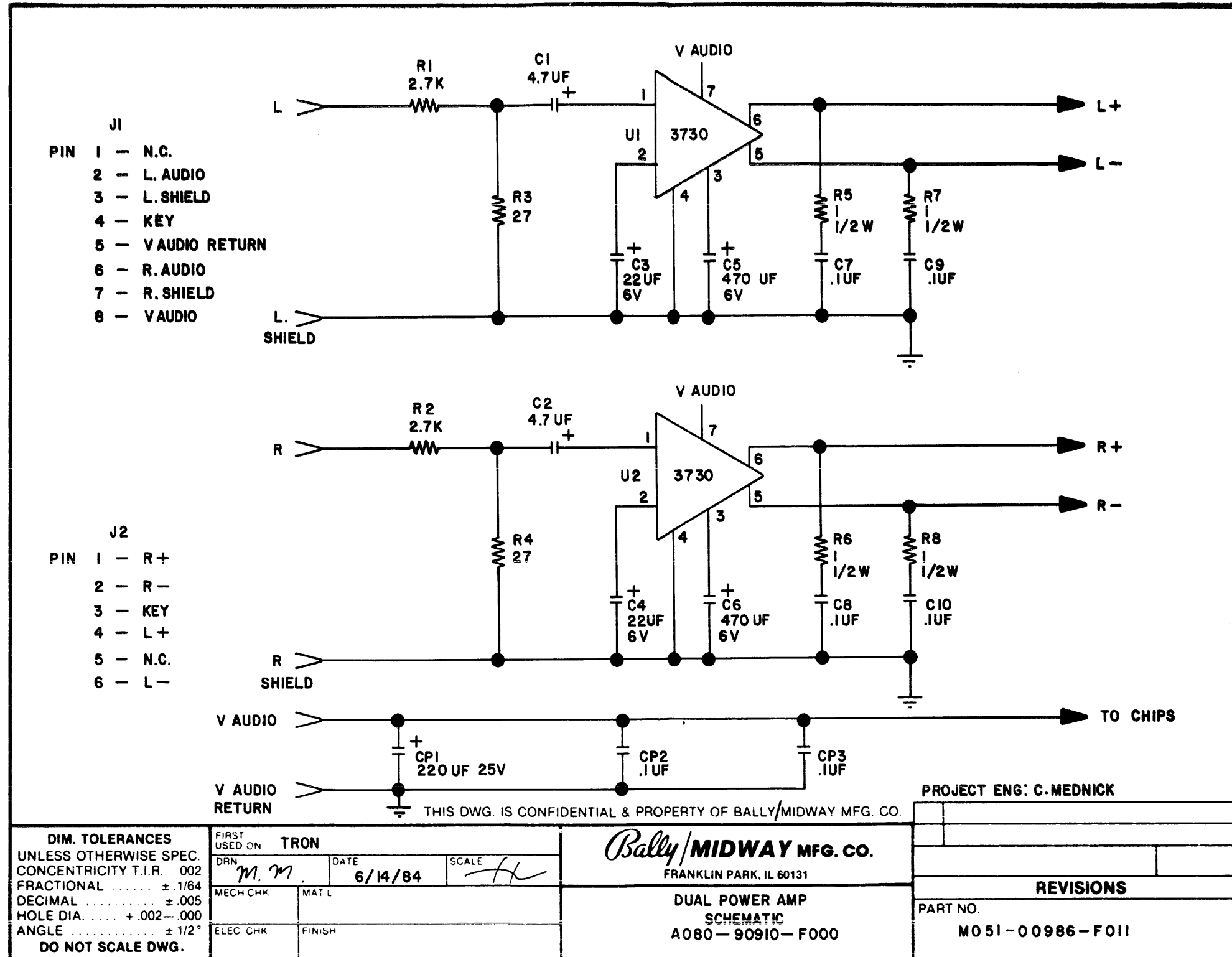
CROSS REFERENCE LIST

| DESCRIPTION | QTY | DESIGNATION NO. | PART NUMBER |
|--------------------|-----|------------------|-----------------|
| .1 MF 50V AX CER | 6 | C7-C10, CP2, CP3 | 0986-00800-1100 |
| 4.7 MF 25V RD TANT | 2 | C1, C2 | 0986-00800-3100 |
| 22 MF 6V RD TANT | 2 | C3, C4 | 0986-00800-1600 |
| 220 MF 25V AX ELEC | 1 | CP1 | 0986-00800-3200 |
| 470 MF 6V AX ELEC | 2 | C5, C6 | 0986-00800-1700 |
| 1 OHM 1/2W 5% | 4 | R5-R8 | 0062-02603-1XXX |
| 27 OHM 1/4W 5% | 2 | R3, R4 | 0062-06803-1XXX |
| 2.7K OHM 1/4W 5% | 2 | R1, R2 | 0062-19903-1XXX |
| MB3730 | 2 | U1, U2 | 0066-188XX-XX4X |
| TIN .045 SQ PINS | 12 | J1, J2 | 0017-00033-0480 |
| HEATSINK ASSY | 2 | HSA1,2 | A986-00010-E000 |
| 1/4" SPACER | 4 | MH1-MH4 | 0017-00042-0320 |
| PC BOARD | 1 | | A080-90910-F000 |

PROJECT ENG: C. MEDNICK

THIS DWG IS CONFIDENTIAL & PROPERTY OF BALLY/MIDWAY MFG. CO.

| | | | | |
|---|---------------------------|---------------------|---|--|
| DIM. TOLERANCES UNLESS OTHERWISE SPEC. CONCENTRICITY T.I.R. .002 FRACTIONAL ± .1/64 DECIMAL ± .005 HOLE DIA. +.002 - .000 ANGLE ± 1/2° DO NOT SCALE DWG. | FIRST USED ON TRON | | Bally/MIDWAY MFG. CO. FRANKLIN PARK, IL 60131 | REVISIONS PART NO. M051-00986-F010 |
| | DRN <i>m m</i> | DATE 6/14/84 | | |
| | MECH CHK | MAT'L | DUAL PWR AMP ASSEMBLY DRWG A084-90910-F000 | |
| | ELEC CHK | FINISH | | |



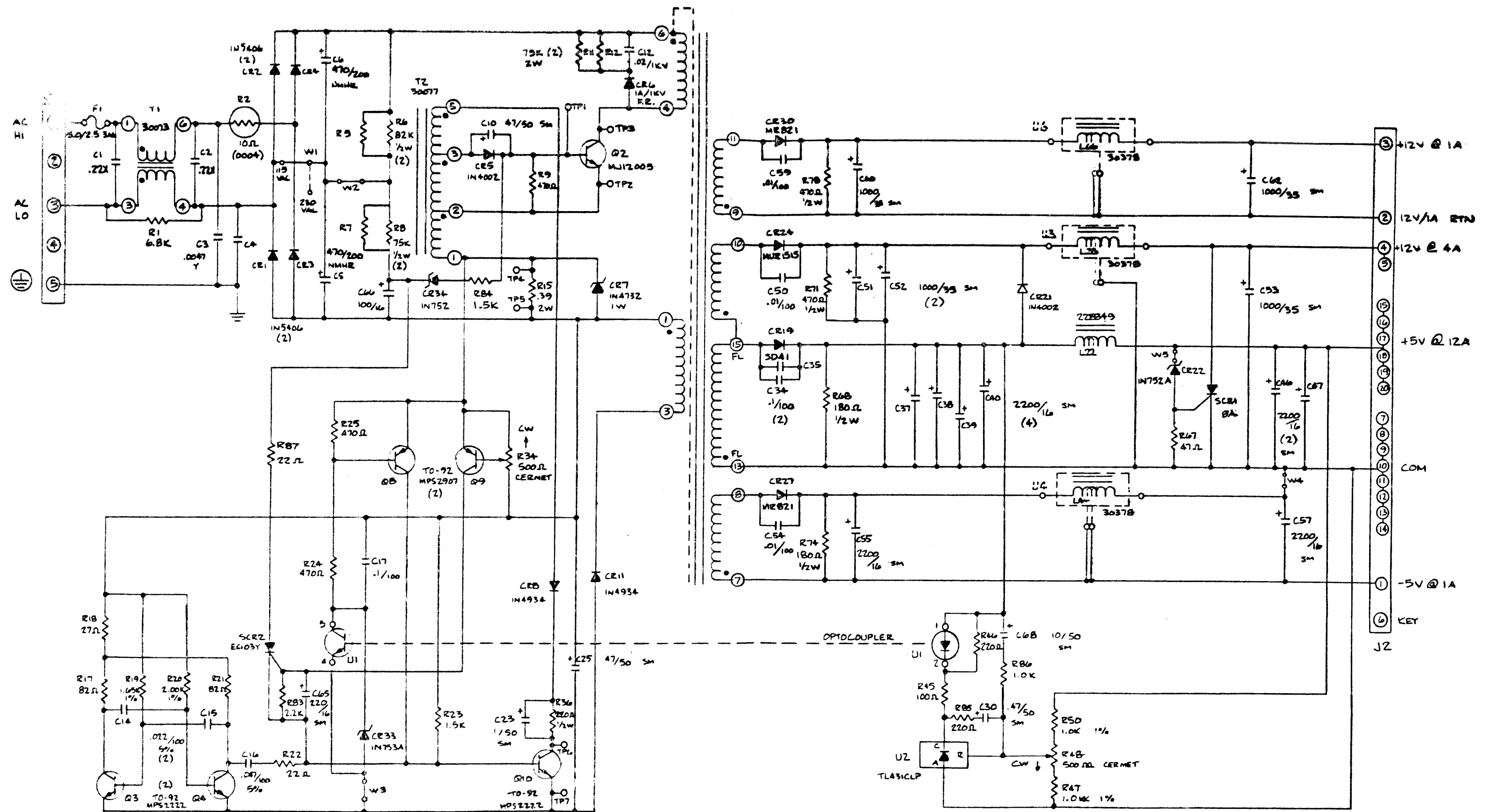
DIM. TOLERANCES
 UNLESS OTHERWISE SPEC.
 CONCENTRICITY T.I.R. .002
 FRACTIONAL ±.1/64
 DECIMAL ±.005
 HOLE DIA. +.002-.000
 ANGLE ± 1/2°
 DO NOT SCALE DWG.

| | | | |
|---------------|--------|-------|---------|
| FIRST USED ON | TRON | | |
| DRN | M. M. | DATE | 6/14/84 |
| MECH CHK | MAT L | SCALE | AK |
| ELEC CHK | FINISH | | |

Bally/MIDWAY MFG. CO.
 FRANKLIN PARK, IL 60131

DUAL POWER AMP
 SCHEMATIC
 A080-90910-F000

| | |
|------------------|-----------------|
| REVISIONS | |
| PART NO. | M051-00986-F011 |



2. CAPACITOR VALUES IN MICROFARAD/VOLTS.
 1. RESISTOR VALUES ARE IN OHMS V/W, 5%, C.F.
 NOTES: UNLESS OTHERWISE SPECIFIED.

FOR ADDITIONAL ELECTRICAL INFORMATION,
 REFER TO MECH. DWG. NO. 0017-00003-0543.

0017-00003-0543 M051-00945-A087

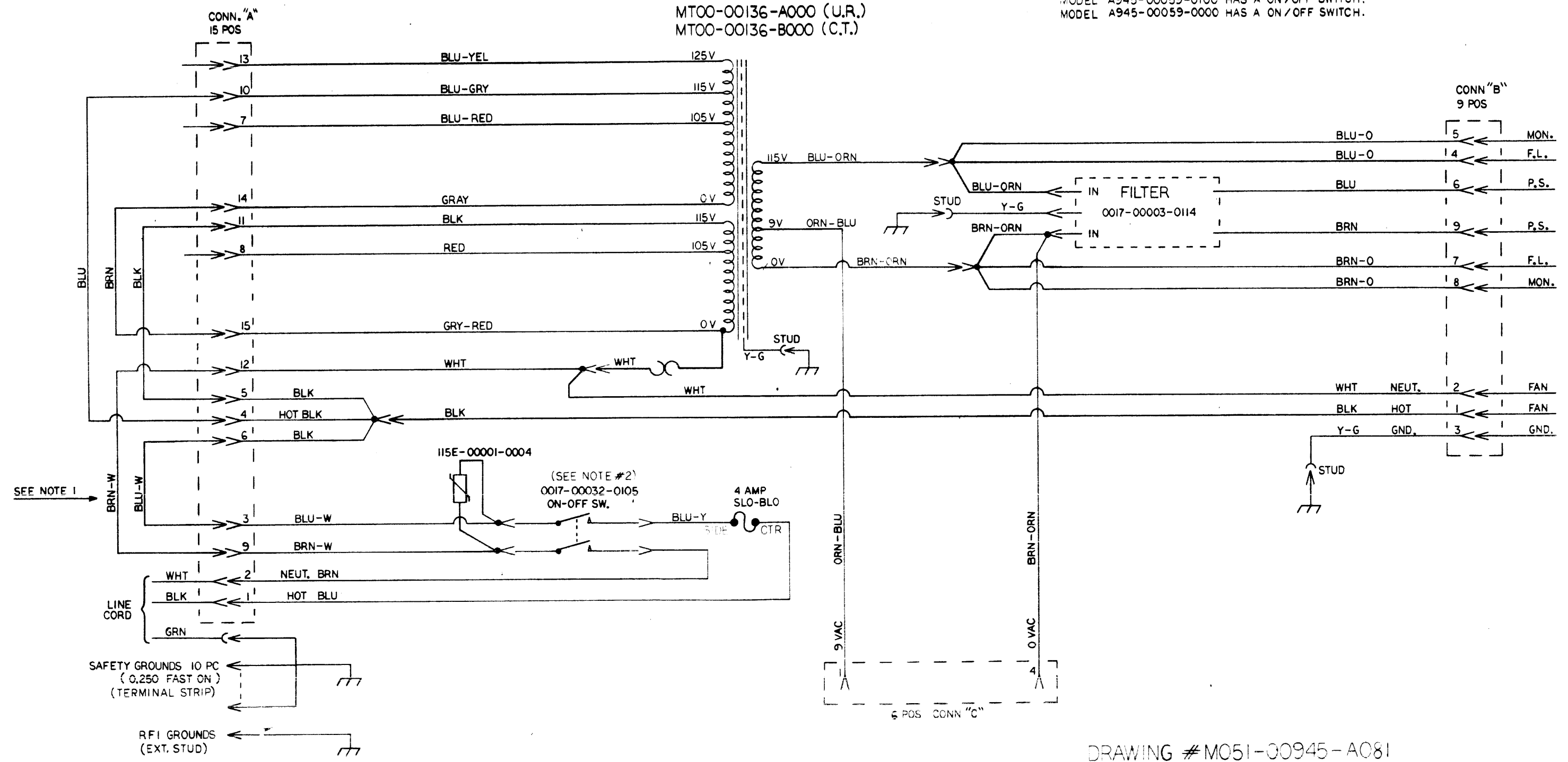
| QTY | FRAC | PART OR IDENTIFYING NO. | NOMENCLATURE OR DESCRIPTION | INTERNAL SPECIFICATION |
|---|----------|-------------------------|---|------------------------|
| PARTS LIST | | | | |
| UNLESS OTHERWISE SPECIFIED DIMENSIONS ARE IN INCHES TOLERANCES ARE: | | | CONTRACT NO. _____ CAMARILLO, CALIF 93010 (805) 484-2851 CONDOR INC. SCHEMATIC SPI016 3-23 | |
| FRACTIONS | DECIMALS | ANGLES | | |
| APPROVALS | | | DATE | |
| DRAWN | | | 5-10-84 | |
| CHECKED | | | | |
| REWORK | | | | |
| NET ASBY | USED ON | SIZE / FRAC NO | DWG. NO | REV |
| | | D | 31-SPI016 | X |
| APPLICATION | | DO NOT SCALE DRAWING | | |

A945-00059-0000/0100/0200
 UNI PWR SUPPLY CHASSIS ASS'Y # 125 SWUR + 125 SWCT

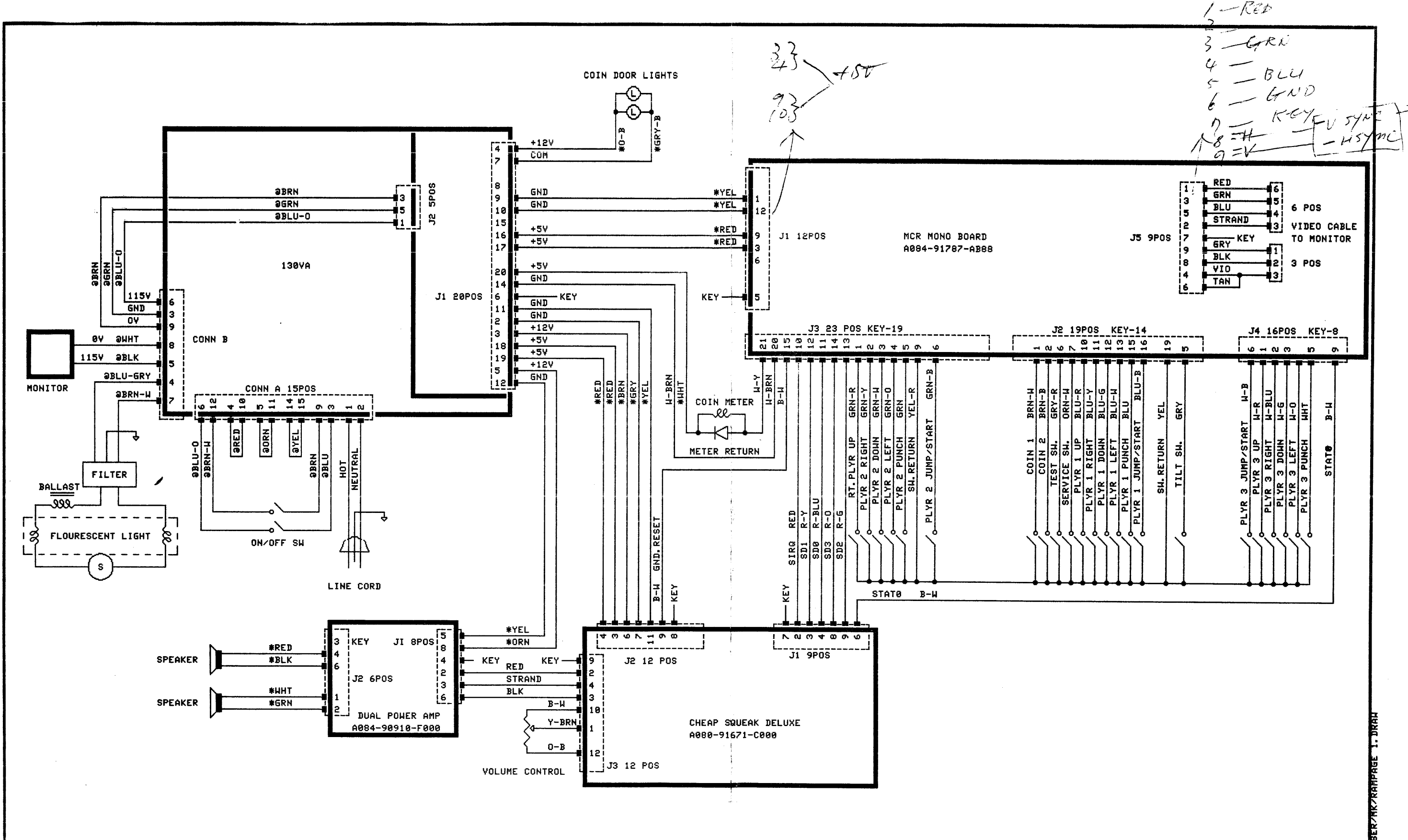
| | 105 | 115 | 210 | 220 | 230 | 240 |
|-----|-------|-------|------|-------|-------|-------|
| BLK | 5-8 | 5-11 | 8-14 | 11-14 | 11-14 | 11-14 |
| BRN | 14-15 | 14-15 | --- | --- | --- | --- |
| BLU | 4-7 | 4-10 | 4-7 | 4-7 | 4-10 | 4-13 |

- NOTES: 1. JUMPERS ON CONN "A" 3-6 AND 9-12 CAN BE REPLACED WITH A SAFETY SW. AND/OR AUX. ON OFF SW.
 2. MODEL A945-00059-0200 HAS A TERMINAL STRIP.
 MODEL A945-00059-0100 HAS A ON/OFF SWITCH.
 MODEL A945-00059-0000 HAS A ON/OFF SWITCH.

TRANSFORMER
 MTOO-00136-A000 (U.R.)
 MTOO-00136-B000 (C.T.)



DRAWING # M051-00945-A081
 REL FOR PRODUCTION: 4/26/85



1-RED
 2-GRN
 3-BLU
 4-GND
 5-KEYED SYNC
 6-45V
 7-45V
 8-45V
 9-45V

NOTES:
 #=18 AWG WIRE
 @=18 AWG 600V WIRE

NOTE: A
 CONNECTS TO REFLECTIVE SENSOR
 P. C. B. (A084-91853-A000)

| | |
|----------|-----------------------|
| NOTES: | BALLY MIDWAY MFG. CO. |
| M KONOPA | |
| | RAMPAGE |
| | M051-00E36-A003 |
| | SHEET 1 OF 1 |
| | REV B |

01 AUG 86 1425 708ER/MK/RAMPAGE 1: DRAH