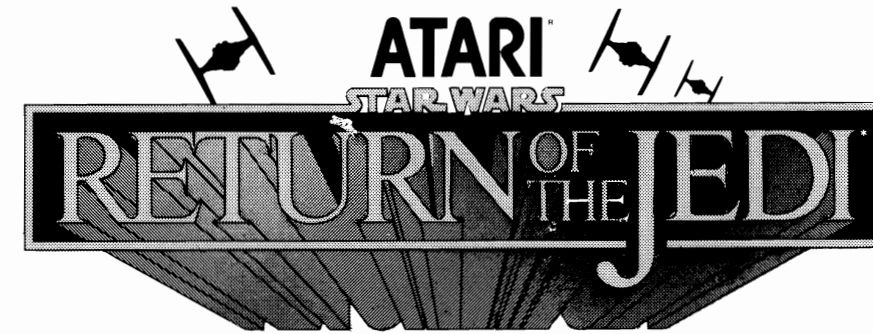


Table of Contents

JEDI Main Wiring Diagram	Sheet 1B
JEDI Color Raster Power Supply Wiring Diagram	Sheet 2A
JEDI Game Interfaces	Sheet 2B
Coin Door	
Utility Panel	
Fluorescent Light	
Regulator/Audio II PCB Schematic	Sheet 3A
JEDI Memory Maps	Sheet 3B
JEDI Game PCB Schematic	Sheets 4A–11B
PIXI II PCB Schematic	Sheet 12A

Schematic Package Supplement to

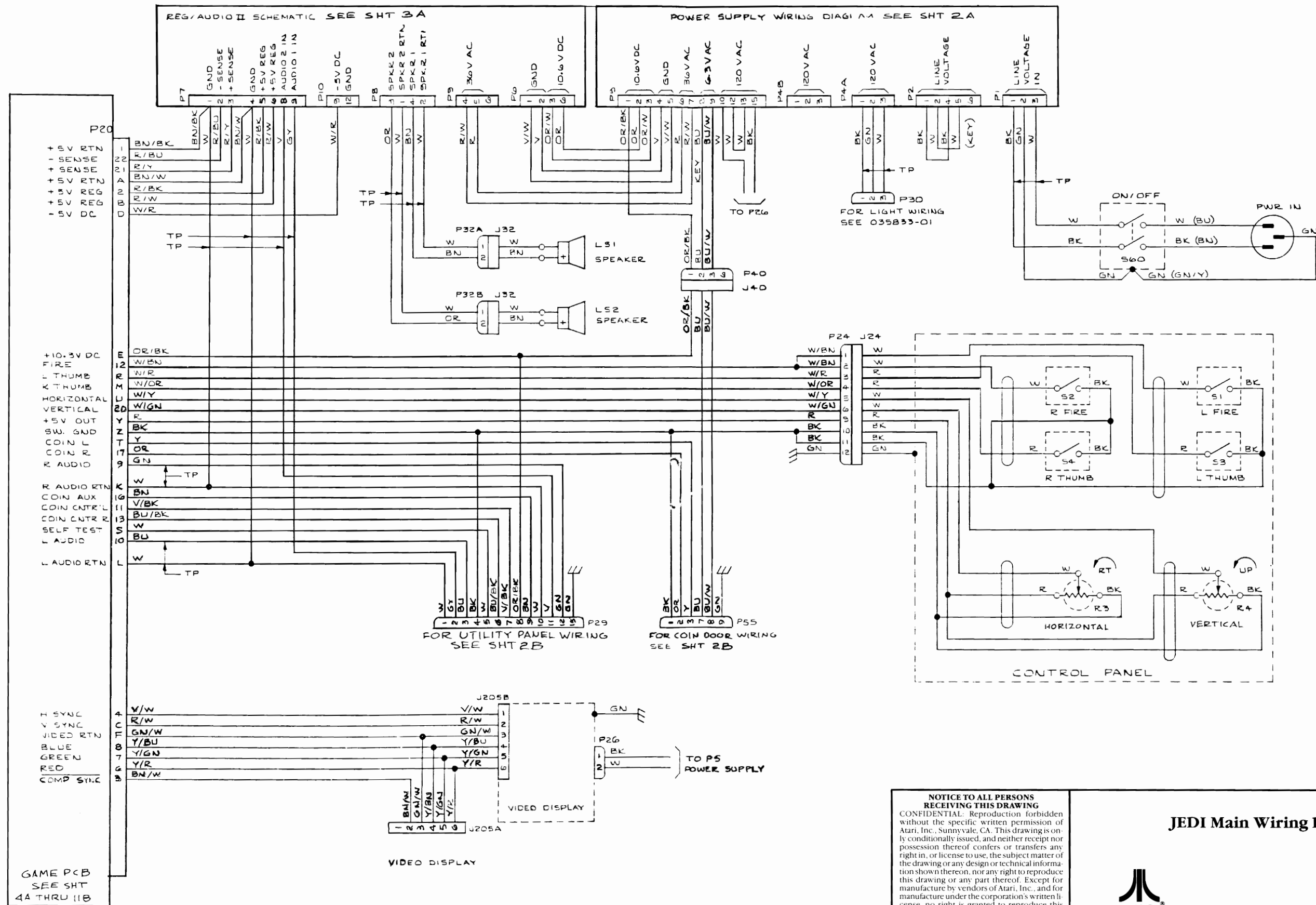


Operators Manual




NOTE

This staple temporarily holds the schematic package together. Remove the staple before using these schematics.



NOTICE TO ALL PERSONS RECEIVING THIS DRAWING
 CONFIDENTIAL: Reproduction forbidden without the specific written permission of Atari, Inc., Sunnyvale, CA. This drawing is only conditionally issued, and neither receipt nor possession thereof confers or transfers any right in, or license to use, the subject matter of the drawing or any design or technical information shown thereon, nor any right to reproduce this drawing or any part thereof. Except for manufacture by vendors of Atari, Inc., and for manufacture under the corporation's written license, no right is granted to reproduce this drawing or the subject matter thereof, unless by written agreement with or written permission from the corporation.

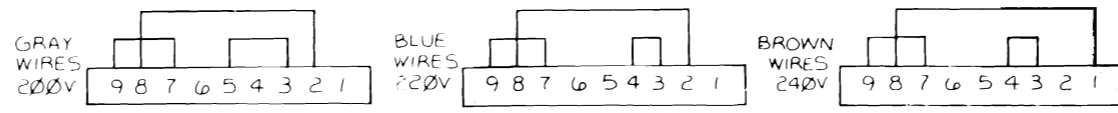
JEDI Main Wiring Diagram



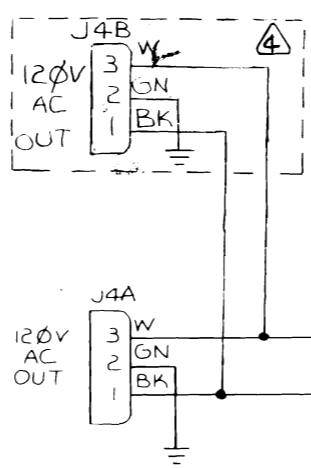
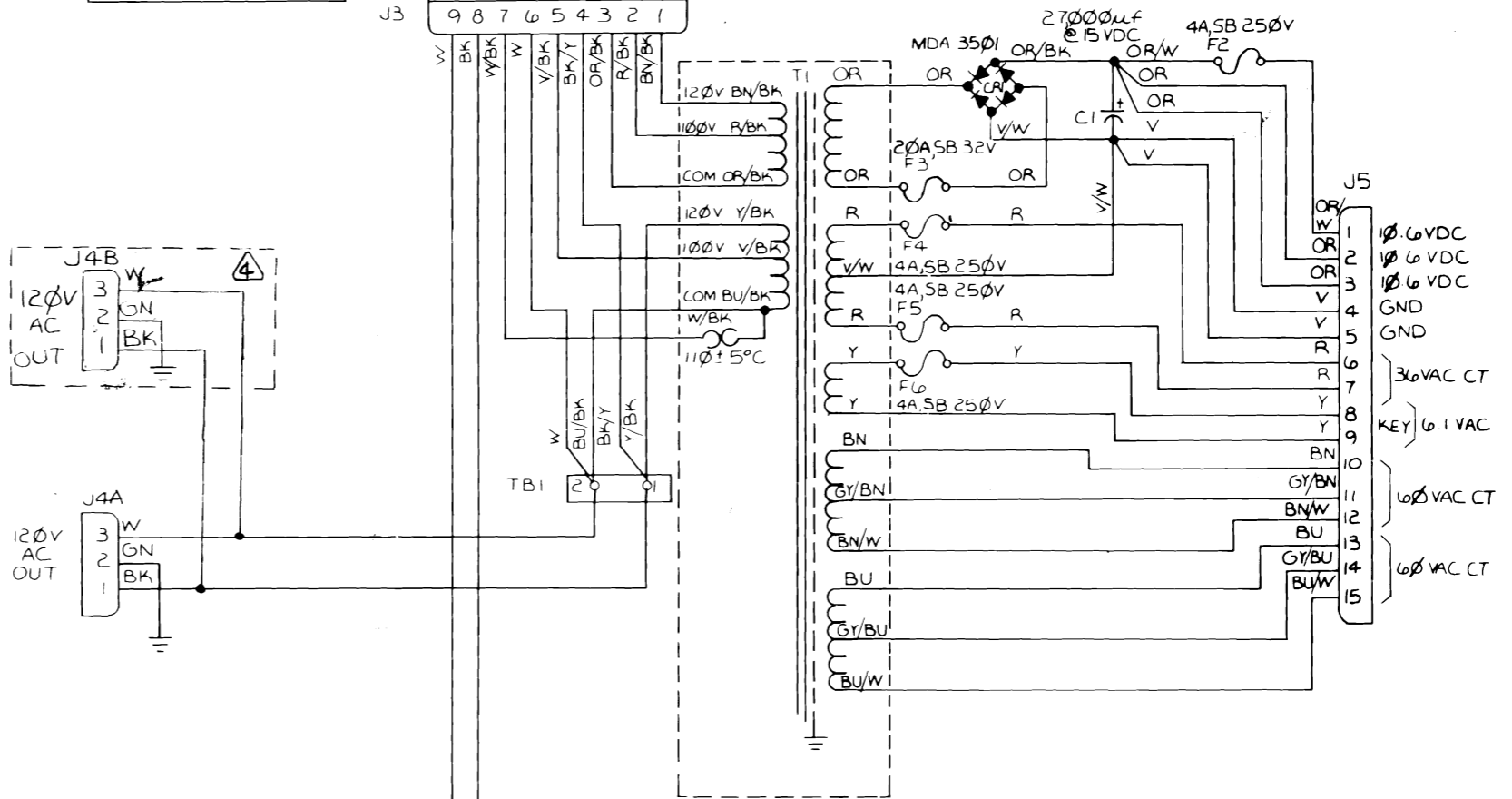
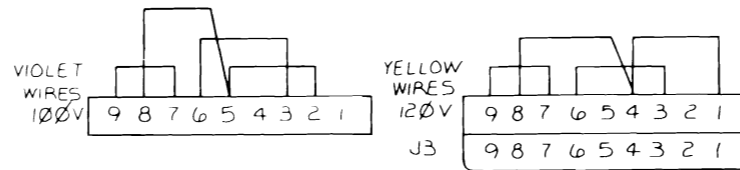
© ATARI INC. 1984

SP-227 Sheet 1B
1st printing

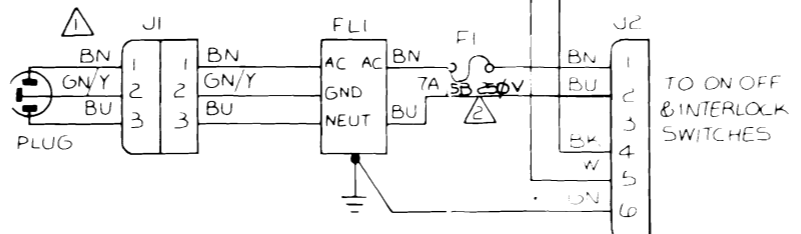
A Warner Communications Company



VOLTAGE SELECTION BLOCKS



- NOTES:
- ③ USE 25 AMP SB 32V FUSE AT F3 FOR -04, -05, & -06 VERSION OF A037671-XX POWER SUPPLY.
 - ④ J4-B USED IN -07 THROUGH -12 VERSION OF A037671-XX POWER SUPPLY ASSY.
 - ① POWER CORD ASSY MAY HAVE WIRE COLORS AS SHOWN OR WIRE COLORS AS FOLLOWS: ONE BLACK WIRE (AC), ONE GREEN WIRE (GND) AND ONE WHITE WIRE (NEUTRAL).
 - ② USE 4 AMP, SB 250V FUSE AT F1 WITH 220V & 240V (EUROPEAN ONLY)



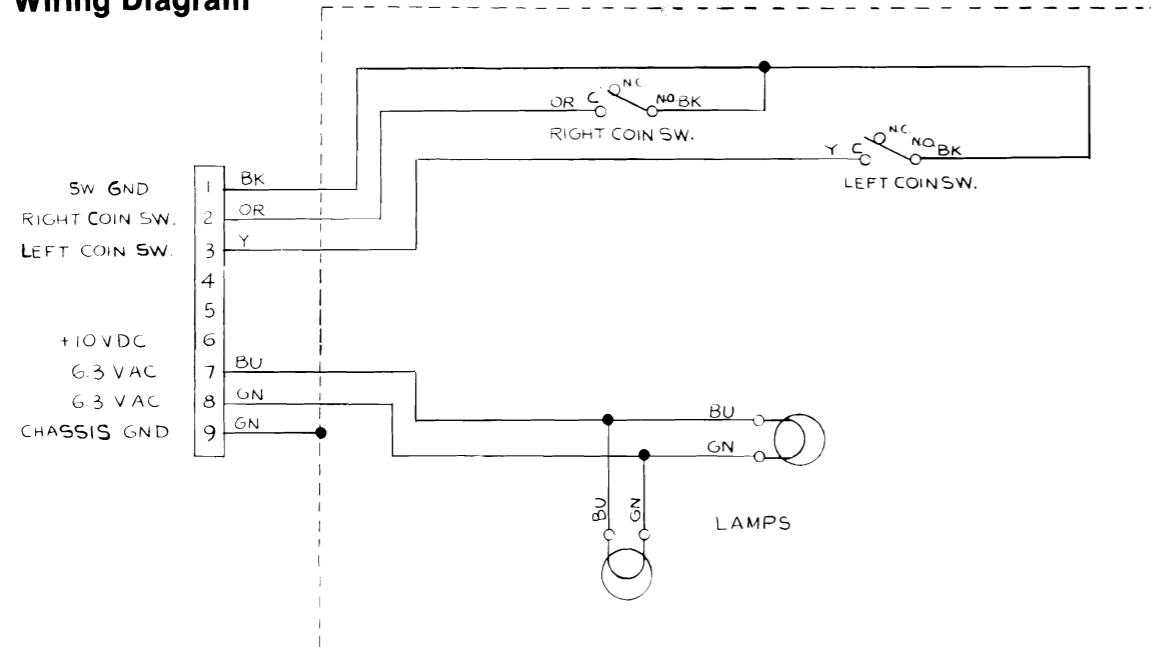
NOTICE TO ALL PERSONS RECEIVING THIS DRAWING
 CONFIDENTIAL. Reproduction forbidden without the specific written permission of Atari, Inc., Sunnyvale, CA. This drawing is only conditionally issued, and neither receipt nor possession thereof confers or transfers any right in, or license to use, the subject matter of the drawing or any design or technical information shown thereon, nor any right to reproduce this drawing or any part thereof. Except for manufacture by vendors of Atari, Inc., and for manufacture under the corporation's written license, no right is granted to reproduce this drawing or the subject matter thereof, unless by written agreement with or written permission from the corporation.

Power Supply Schematic

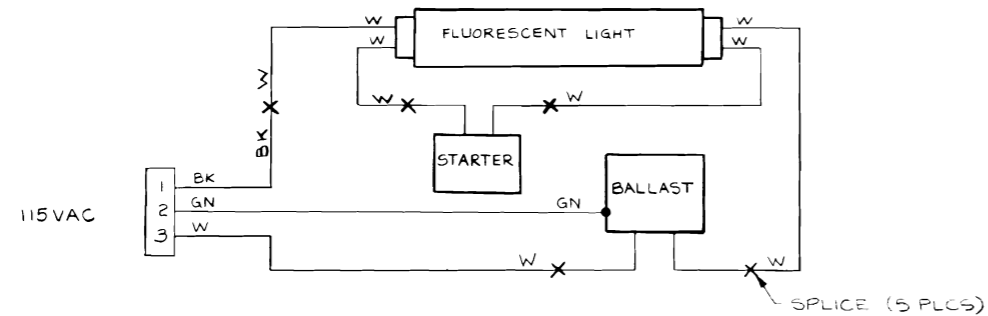
© ATARI INC. 1984

SP-227 Sheet 2A
1st printing

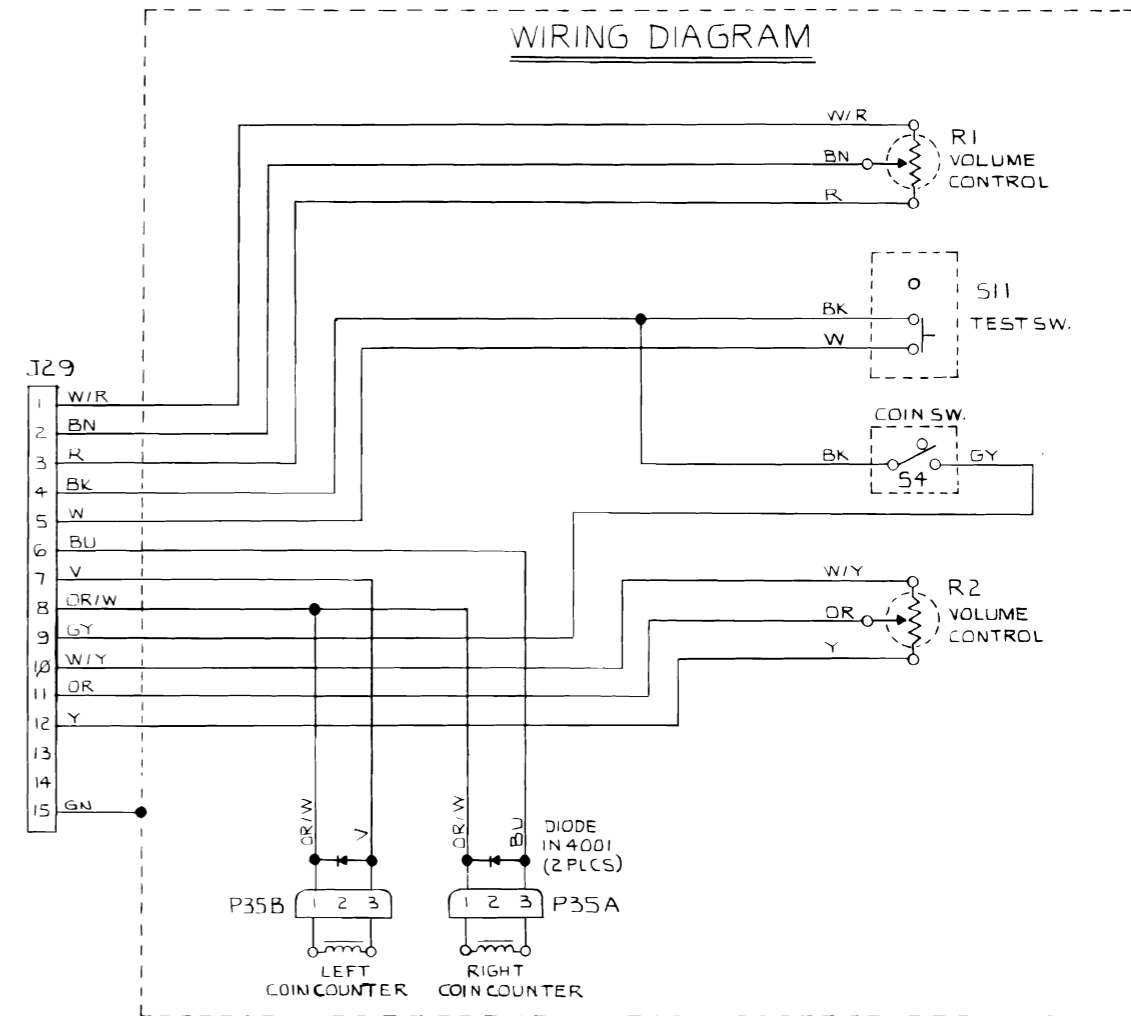
Coin Door Wiring Diagram



Fluorescent Light Wiring Diagram



Utility Panel Wiring Diagram



NOTICE TO ALL PERSONS RECEIVING THIS DRAWING
 CONFIDENTIAL: Reproduction forbidden without the specific written permission of Atari, Inc., Sunnyvale, CA. This drawing is only conditionally issued, and neither receipt nor possession thereof confers or transfers any right in, or license to use, the subject matter of the drawing or any design or technical information shown thereon, nor any right to reproduce this drawing or any part thereof. Except for manufacture by vendors of Atari, Inc., and for manufacture under the corporation's written license, no right is granted to reproduce this drawing or the subject matter thereof, unless by written agreement with or written permission from the corporation.

JEDI Game Interfaces



A Warner Communications Company

© ATARI INC. 1984

SP-227 Sheet 2B
 1st printing

RETURN OF THE JEDI Memory Map (Main CPU Board)


HEXA-DECIMAL ADDRESS	ADDRESS BUS SIGNAL LINES																READ/ WRITE	DATA BUS SIGNAL LINES								FUNCTION
	A15	A14	A13	A12	A11	A10	A9	A8	A7	A6	A5	A4	A3	A2	A1	A0		D7	D6	D5	D4	D3	D2	D1	D0	
0000-07FF	0	0	0	0	0	A	A	A	A	A	A	A	A	A	A	A	R/W	D	D	D	D	D	D	D	D	Z-page working RAM
0800-08FF	0	0	0	0	1	0			A	A	A	A	A	A	A	A	R/W	D	D	D	D	D	D	D	D	Non-volatile RAM
0C00	0	0	0	0	1	1											0	R	D							Right coin switch
0C00	0	0	0	0	1	1											0	R		D						Left coin switch
0C00	0	0	0	0	1	1											0	R		D						Auxiliary coin switch
0C00	0	0	0	0	1	1											0	R			D					Self-test switch
0C00	0	0	0	0	1	1											0	R				D				Spare
0C00	0	0	0	0	1	1											0	R				D				Left thumb switch
0C00	0	0	0	0	1	1											0	R					D			Fire switches
0C00	0	0	0	0	1	1											0	R						D		Right thumb switch
0C01	0	0	0	0	1	1											1	R	D							VBLANK
0C01	0	0	0	0	1	1											1	R		D						Sound CPU communication latch full flag
0C01	0	0	0	0	1	1											1	R			D					Sound CPU acknowledge latch flag
0C01	0	0	0	0	1	1											1	R				D				Not used
0C01	0	0	0	0	1	1											1	R					D			Not used
0C01	0	0	0	0	1	1											1	R					D			Slam switch
0C01	0	0	0	0	1	1											1	R						D		Not used
0C01	0	0	0	0	1	1											1	R						D		Not used
1400	0	0	0	1	0	1												R	D	D	D	D	D	D	D	Sound CPU acknowledge latch
1800	0	0	0	1	1	0												R	D	D	D	D	D	D	D	Read A/D conversion
1C00	0	0	0	1	1	1	0	0	0								0	W								Enable non-volatile RAM
1C01	0	0	0	1	1	1	0	0	0								1	W								Disable non-volatile RAM
1C80	0	0	0	1	1	1	0	0	1							0	0	0	W							Start A/D conversion (horizontal)
1C82	0	0	0	1	1	1	0	0	1						0	1	0	W								Start A/D conversion (vertical)
1D00	0	0	0	1	1	1	0	1	0									W								Non-volatile RAM store
1D80	0	0	0	1	1	1	0	1	1									W								Watchdog clear
1E00	0	0	0	1	1	1	1	0	0									W								Interrupt acknowledge
1E80	0	0	0	1	1	1	1	0	1						0	0	0	W	D							Left coin counter
1E81	0	0	0	1	1	1	1	0	1						0	0	1	W	D							Right coin counter
1E82	0	0	0	1	1	1	1	0	1						0	1	0	W	D							LED 1 (not used)
1E83	0	0	0	1	1	1	1	0	1						0	1	1	W	D							LED 2 (not used)
1E84	0	0	0	1	1	1	1	0	1						1	0	0	W	D							Alphanumerics bank select
1E85	0	0	0	1	1	1	1	0	1						1	0	1	W	D							Not used
1E86	0	0	0	1	1	1	1	0	1						1	1	0	W	D							Sound CPU reset
1E87	0	0	0	1	1	1	1	0	1						1	1	1	W	D							Video off
1F00	0	0	0	1	1	1	1	1	0									W	D	D	D	D	D	D	D	Sound CPU communication latch
1F80	0	0	0	1	1	1	1	1	1									W					D	D	D	Program ROM bank select
2000-23FF	0	0	1	0	0	0	A	A	A	A	A	A	A	A	A	A	A	R/W	D	D	D	D	D	D	D	Scrolling playfield (low)
2400-27FF	0	0	1	0	0	1	A	A	A	A	A	A	A	A	A	A	A	R/W				D	D	D	D	Scrolling playfield (high)
2800-2BFF	0	0	1	0	1	0	A	A	A	A	A	A	A	A	A	A	A	R/W	D	D	D	D	D	D	D	Color RAM (low)
2C00-2FFF	0	0	1	0	1	1	A	A	A	A	A	A	A	A	A	A	A	R/W				D	D	D	D	Color RAM (high)
3000-37FF	0	0	1	1	0	A	A	A	A	A	A	A	A	A	A	A	A	R/W	D	D	D	D	D	D	D	Alphanumerics RAM
3800-3BFF	0	0	1	1	1	0	A	A	A	A	A	A	A	A	A	A	A	R/W	D	D	D	D	D	D	D	Motion object RAM
37C0-37EF	0	0	1	1	0	1	1	1	1	1	A	A	A	A	A	A	A	R/W	D	D	D	D	D	D	D	Motion object picture
3800-382F	0	0	1	1	1	0	0	0	0	0	A	A	A	A	A	A	A	R/W		D				D	D	Motion object picture bank select
3800-382F	0	0	1	1	1	0	0	0	0	0	A	A	A	A	A	A	A	R/W			D					Motion object vertical reflect
3800-382F	0	0	1	1	1	0	0	0	0	0	A	A	A	A	A	A	A	R/W				D				Motion object horizontal reflect
3800-382F	0	0	1	1	1	0	0	0	0	0	A	A	A	A	A	A	A	R/W					D			Motion object 32 pixels tall
3800-382F	0	0	1	1	1	0	0	0	0	0	A	A	A	A	A	A	A	R/W							D	Motion object horizontal position (D8)
3840-386F	0	0	1	1	1	0	0	0	0	1	A	A	A	A	A	A	A	R/W	D	D	D	D	D	D	D	Motion object vertical position
38C0-38EF	0	0	1	1	1	0	0	0	1	1	A	A	A	A	A	A	A	R/W	D	D	D	D	D	D	D	Motion object horizontal position (D7-D0)
3C00-3C01	0	0	1	1	1	1	0	0									D	W	D	D	D	D	D	D	D	Scrolling playfield vertical position
3D00-3D01	0	0	1	1	1	1	0	1									D	W	D	D	D	D	D	D	D	Scrolling playfield horizontal position
3E00-3FFF	0	0	1	1	1	1	A	A	A	A	A	A	A	A	A	A	A	W	D	D	D	D	D	D	D	PIXI graphics expander RAM
4000-7FFF	0	1	A	A	A	A	A	A	A	A	A	A	A	A	A	A	A	R	D	D	D	D	D	D	D	Banked program ROM
8000-FFFF	1	A	A	A	A	A	A	A	A	A	A	A	A	A	A	A	A	R	D	D	D	D	D	D	D	Fixed program ROM

RETURN OF THE JEDI Memory Map (Sound CPU)

HEXA-DECIMAL ADDRESS	ADDRESS BUS SIGNAL LINES																READ/ WRITE	DATA BUS SIGNAL LINES								FUNCTION
	A15	A14	A13	A12	A11	A10	A9	A8	A7	A6	A5	A4	A3	A2	A1	A0		D7	D6	D5	D4	D3	D2	D1	D0	
0000-07FF	0	0		0	0	A	A	A	A	A	A	A	A	A	A	A	R/W	D	D	D	D	D	D	D	D	Z-page working RAM
0800-083F	0	0		0	1						A	A	A	A	A	A	R/W	D	D	D	D	D	D	D	D	Custom I/O
1000	0	0		1	0	0	0	0	0								W									Interrupt acknowledge
1100	0	0		1	0	0	0	0	1								W	D	D	D	D	D	D	D	D	Speech data
1200	0	0		1	0	0	1	0									W									Speech write strobe on
1300	0	0		1	0	0	1	1									W									Speech write strobe off
1400	0	0		1	0	1	0	0									W	D	D	D	D	D	D	D	D	Main CPU acknowledge latch
1500	0	0		1	0	1	0	1									W								D	Speech chip reset
1800	0	0		1	1	0											R	D	D	D	D	D	D	D	D	Main CPU communication latch
1C00	0	0		1	1	1											0	R	D							Speech chip ready
1C01	0	0		1	1	1											1	R	D							Sound CPU communication latch full flag
1C01	0	0		1	1	1											1	R		D						Sound CPU acknowledge latch full flag
8000-FFFF	1	A	A	A	A	A	A	A	A	A	A	A	A	A	A	A	R	D	D	D	D	D	D	D	D	Program ROM

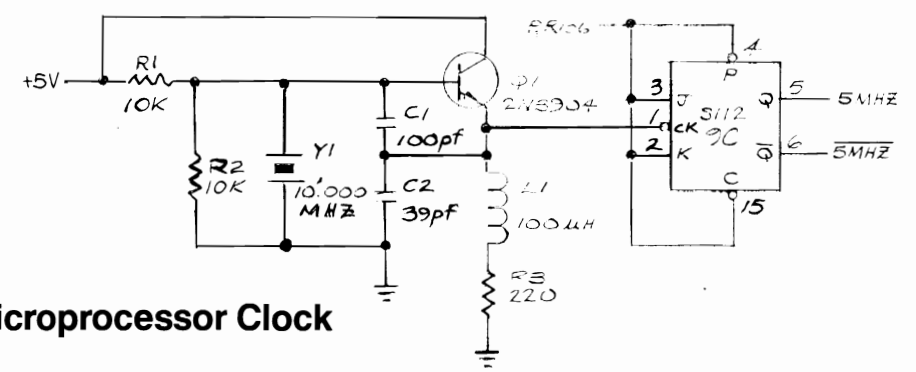
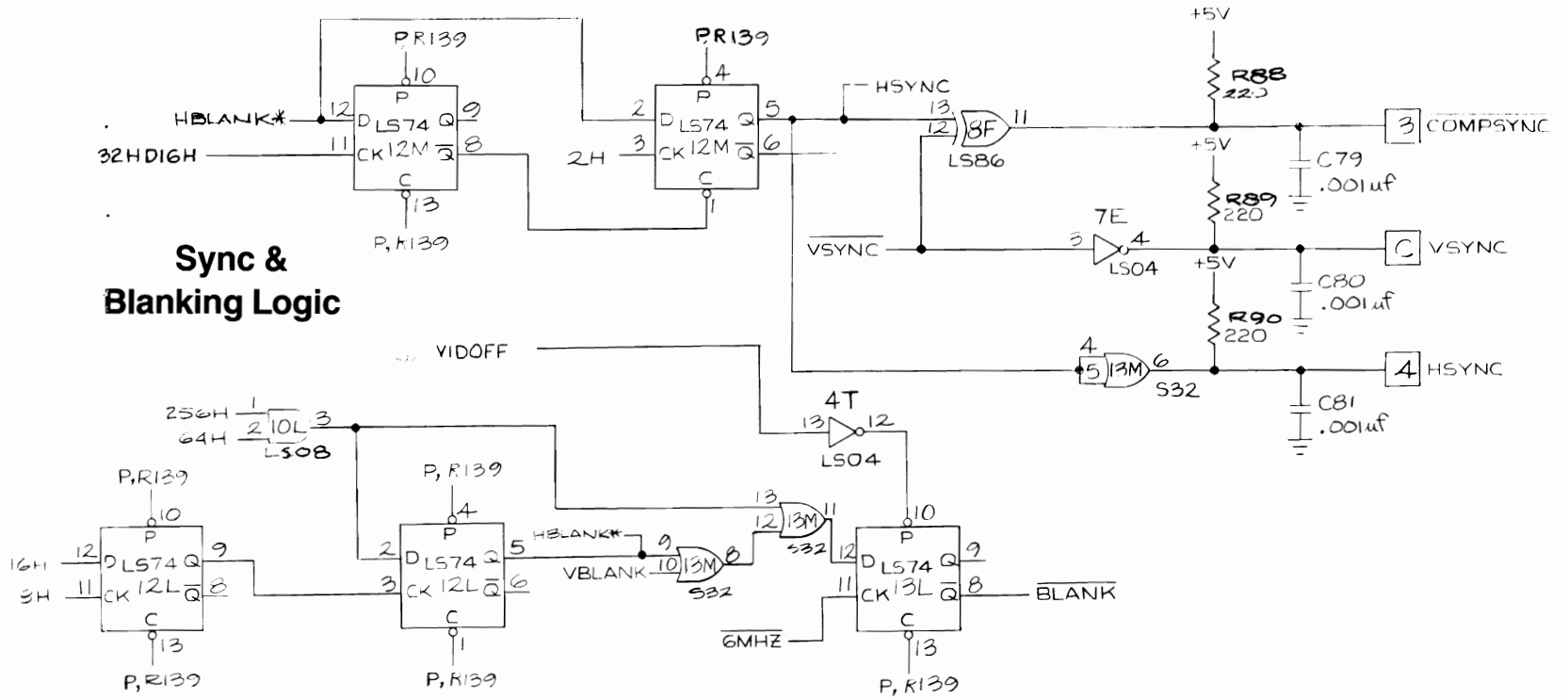
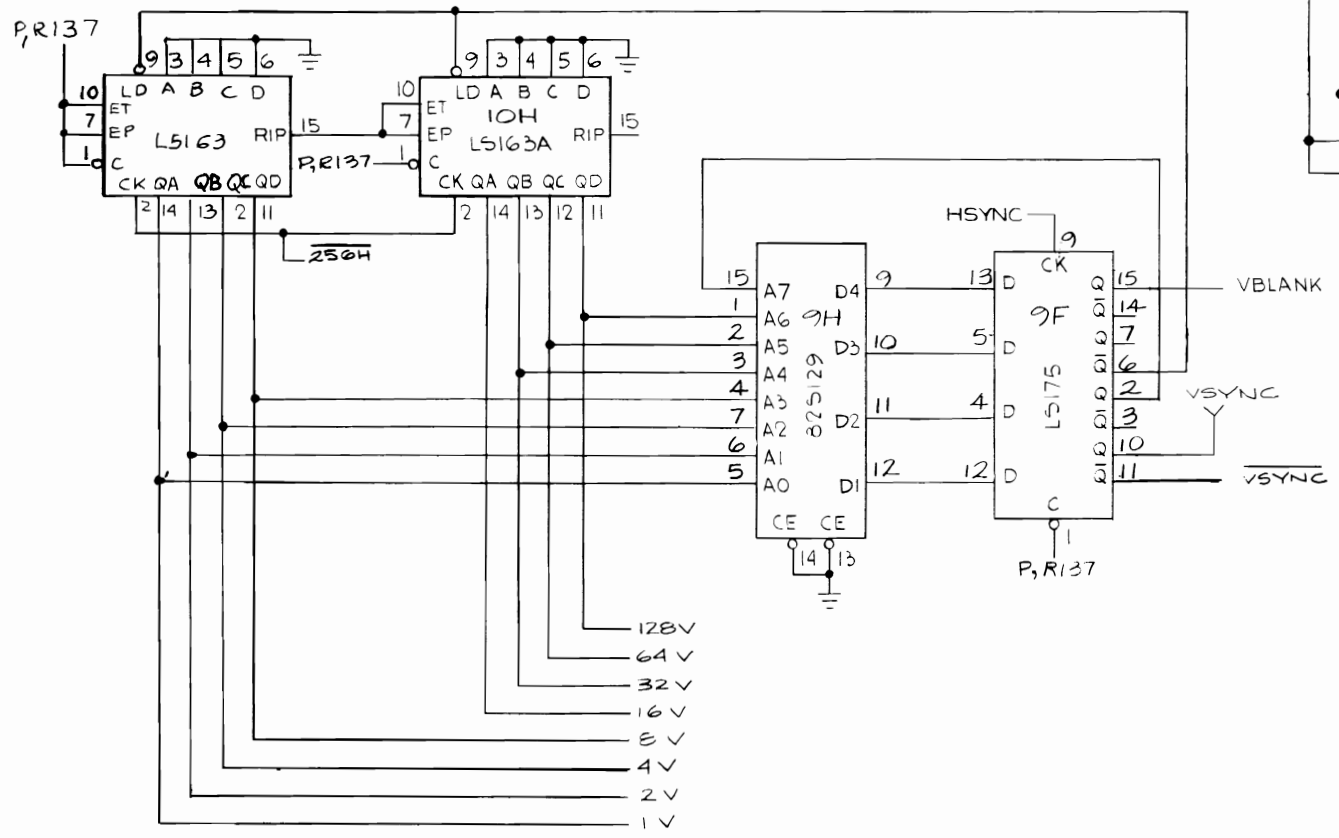
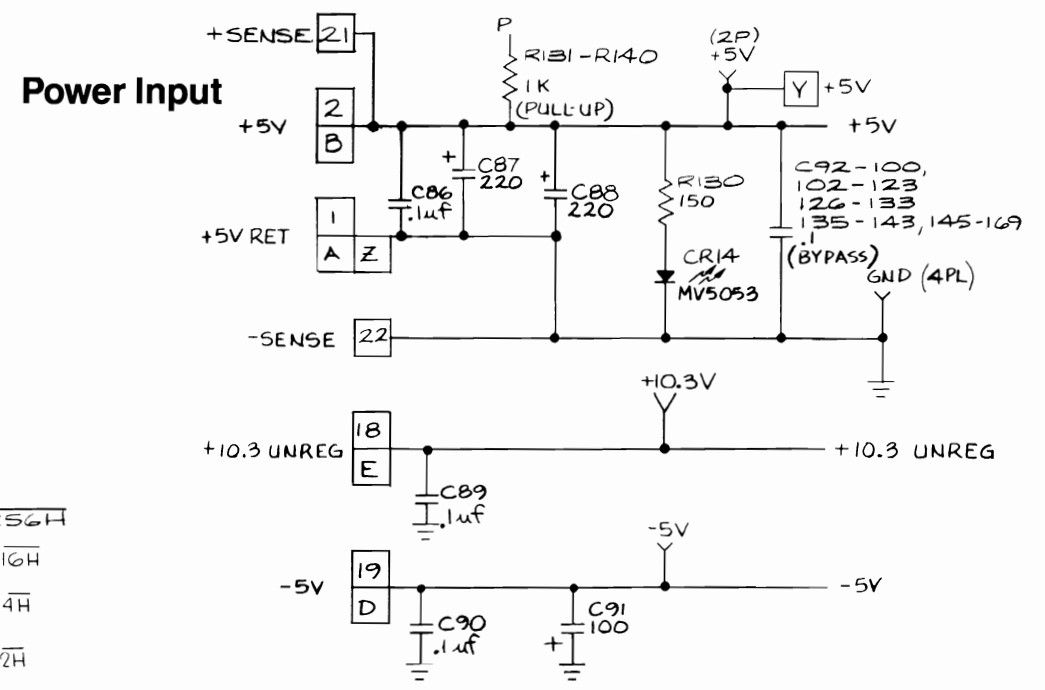
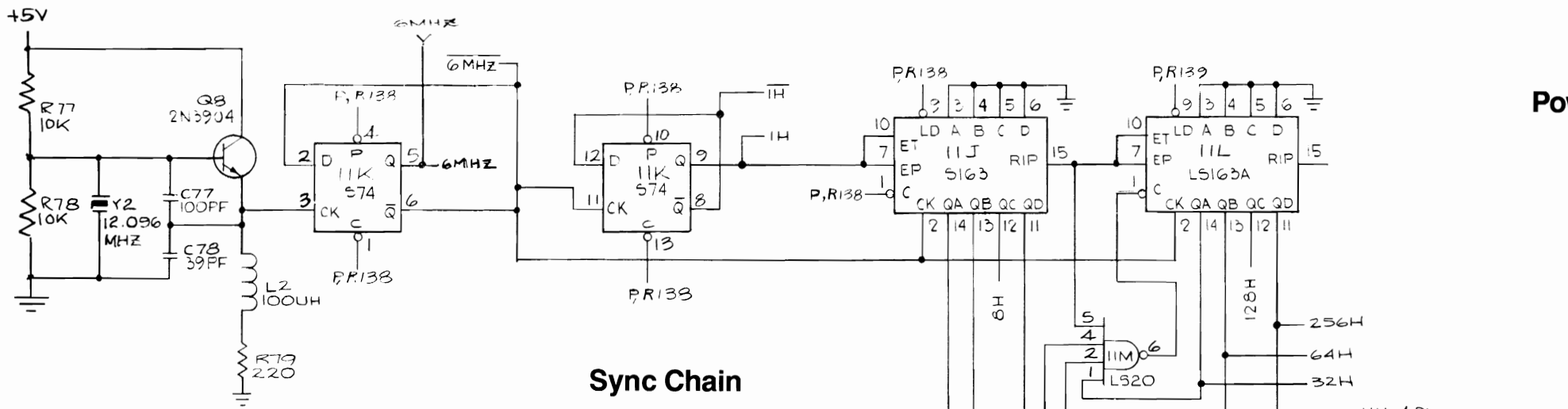
NOTICE TO ALL PERSONS RECEIVING THIS DRAWING

CONFIDENTIAL: Reproduction forbidden without the specific written permission of Atari, Inc., Sunnyvale, CA. This drawing is only conditionally issued, and neither receipt nor possession thereof confers or transfers any right in, or license to use, the subject matter of the drawing or any design or technical information shown thereon, nor any right to reproduce this drawing or any part thereof. Except for manufacture by vendors of Atari, Inc., and for manufacture under the corporation's written license, no right is granted to reproduce this drawing or the subject matter thereof, unless by written agreement with or written permission from the corporation.



JEDI Memory Maps

© ATARI INC. 1984
SP-227 Sheet 3B
1st printing



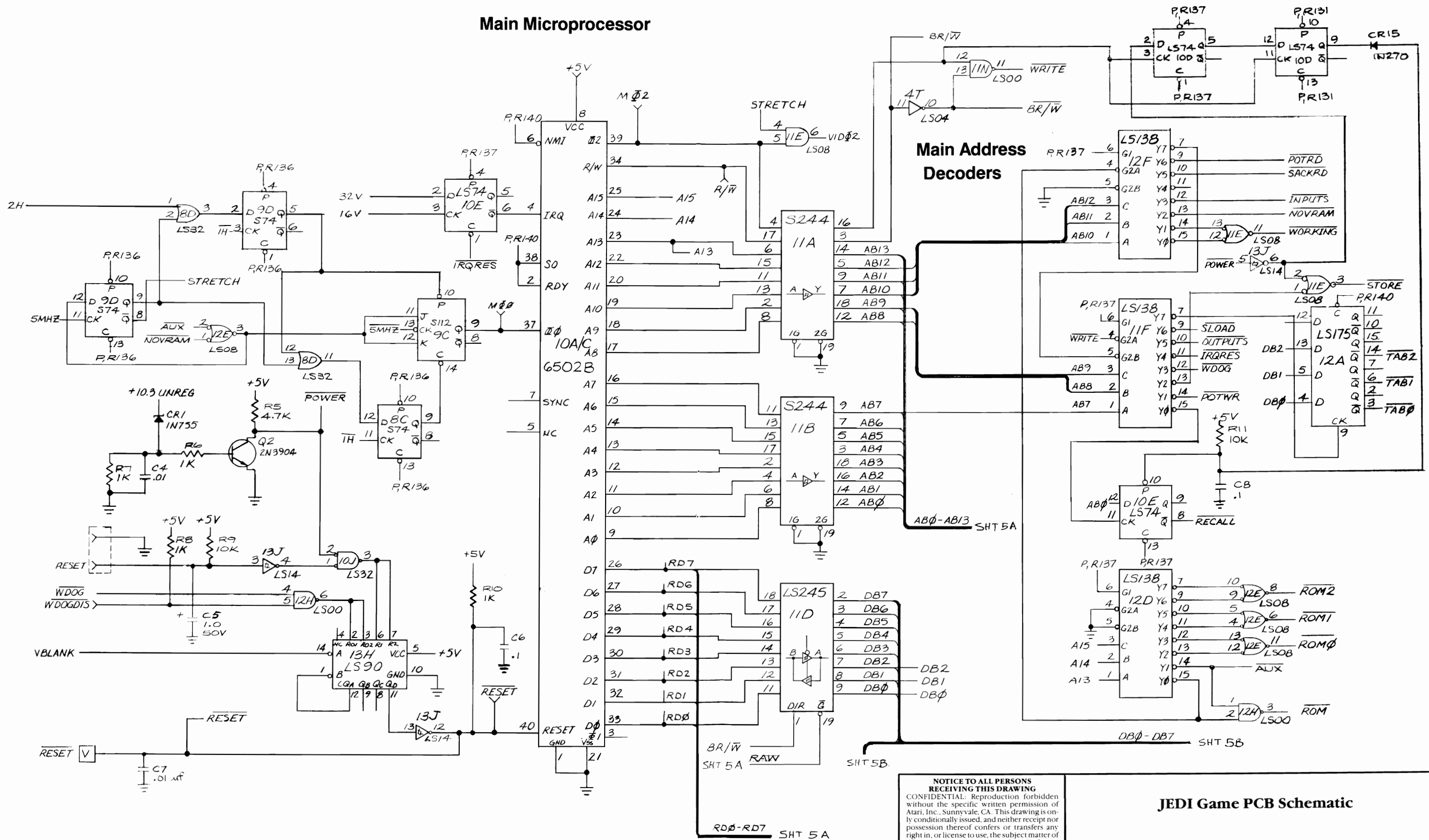
NOTICE TO ALL PERSONS RECEIVING THIS DRAWING
 CONFIDENTIAL: Reproduction forbidden without the specific written permission of Atari, Inc., Sunnyvale, CA. This drawing is only conditionally issued, and neither receipt nor possession thereof confers or transfers any right in, or license to use, the subject matter of the drawing or any design or technical information shown thereon, nor any right to reproduce this drawing or any part thereof. Except for manufacture by vendors of Atari, Inc., and for manufacture under the corporation's written license, no right is granted to reproduce this drawing or the subject matter thereof, unless by written agreement with or written permission from the corporation.

JEDI Game PCB Schematic

ATARI
 A Warner Communications Company

© ATARI INC. 1984
 SP-227 Sheet 4A
 1st printing

Main Microprocessor



NOTICE TO ALL PERSONS RECEIVING THIS DRAWING
 CONFIDENTIAL: Reproduction forbidden without the specific written permission of Atari, Inc., Sunnyvale, CA. This drawing is only conditionally issued, and neither receipt nor possession thereof confers or transfers any right in, or license to use, the subject matter of the drawing or any design or technical information shown thereon, nor any right to reproduce this drawing or any part thereof. Except for manufacture by vendors of Atari, Inc., and for manufacture under the corporation's written license, no right is granted to reproduce this drawing or the subject matter thereof, unless by written agreement with or written permission from the corporation.

JEDI Game PCB Schematic

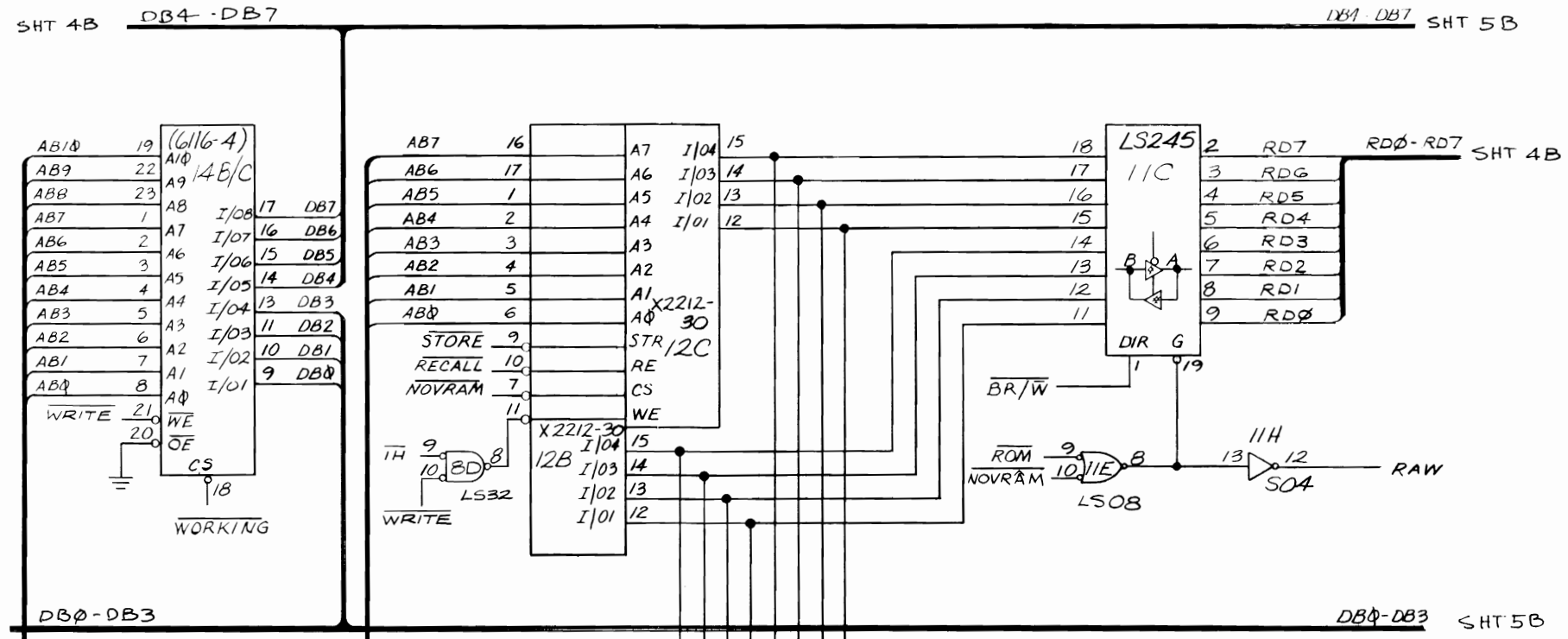


A Warner Communications Company

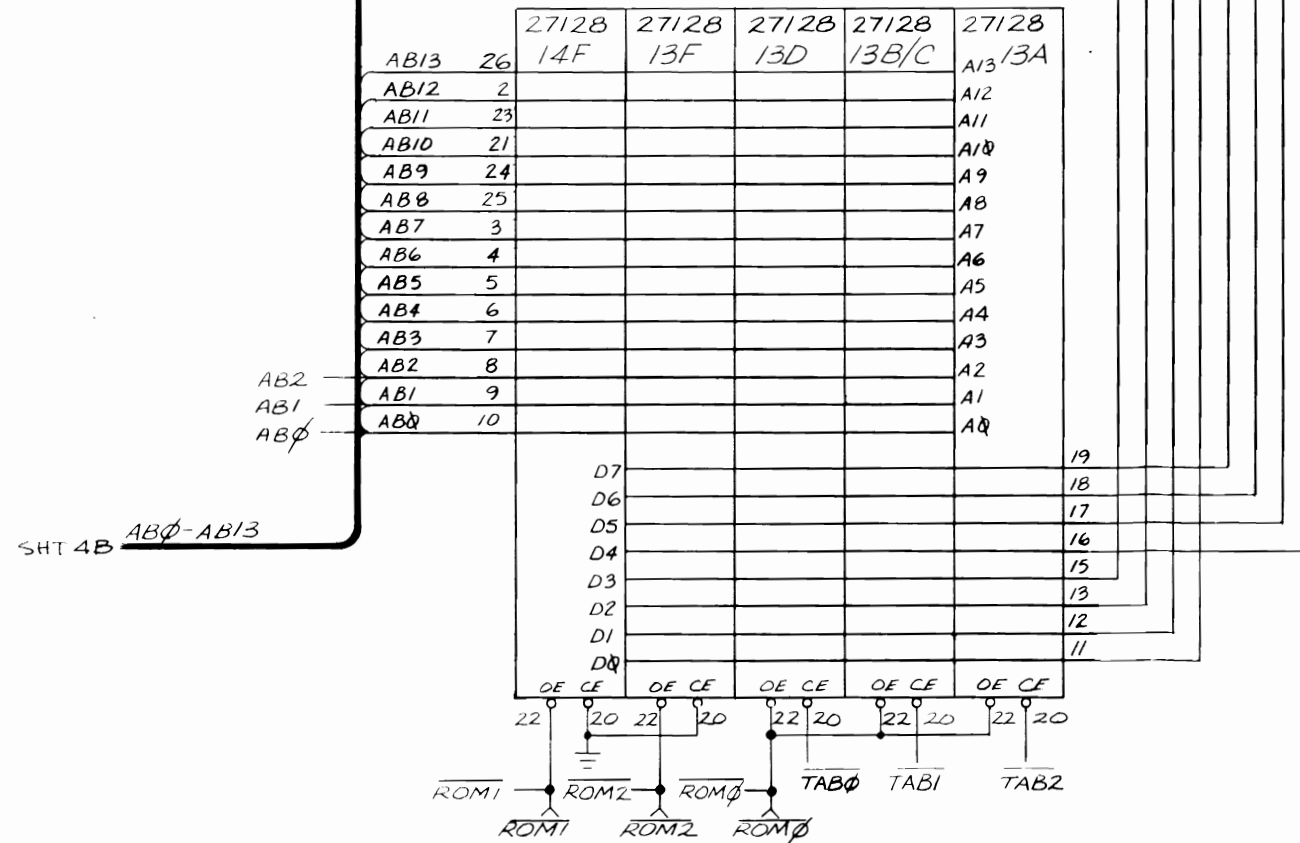
© ATARI INC. 1984

SP-227 Sheet 4B
1st printing

Program RAM



Program ROM

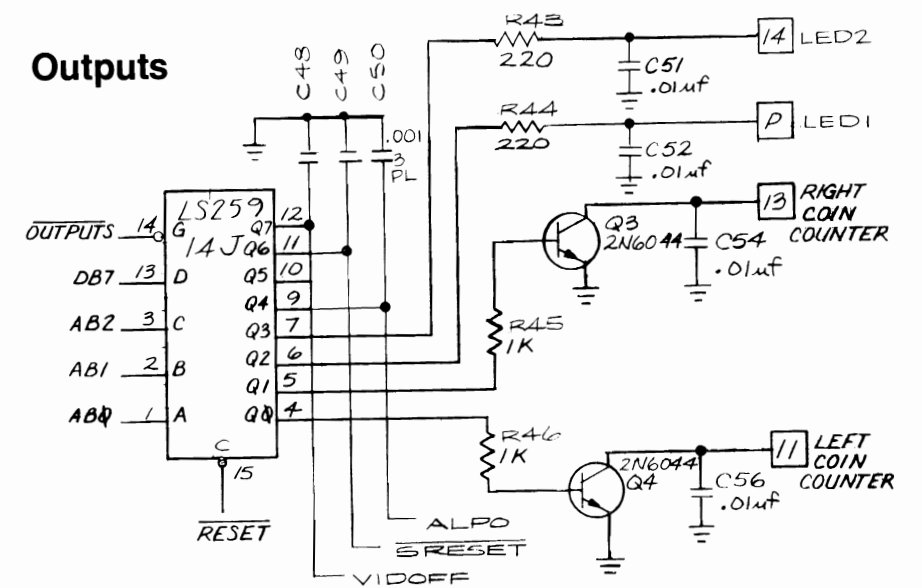
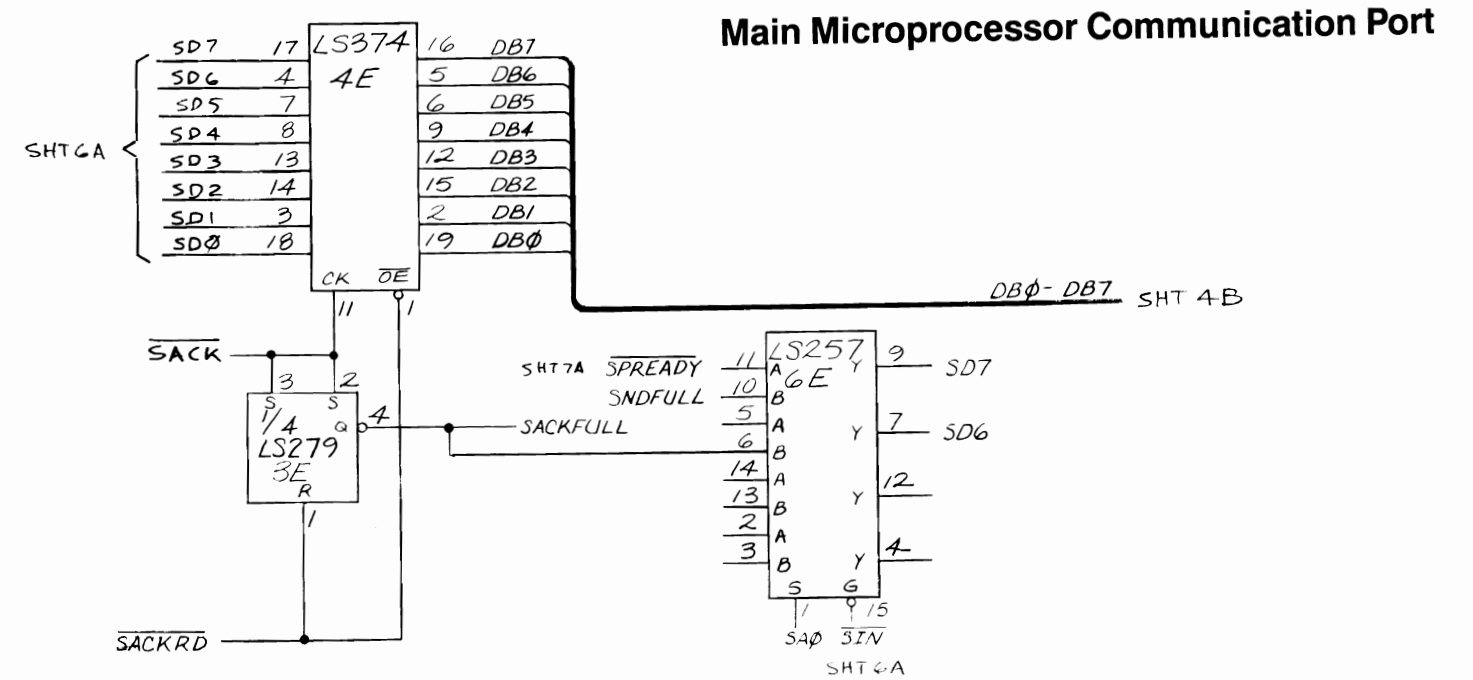
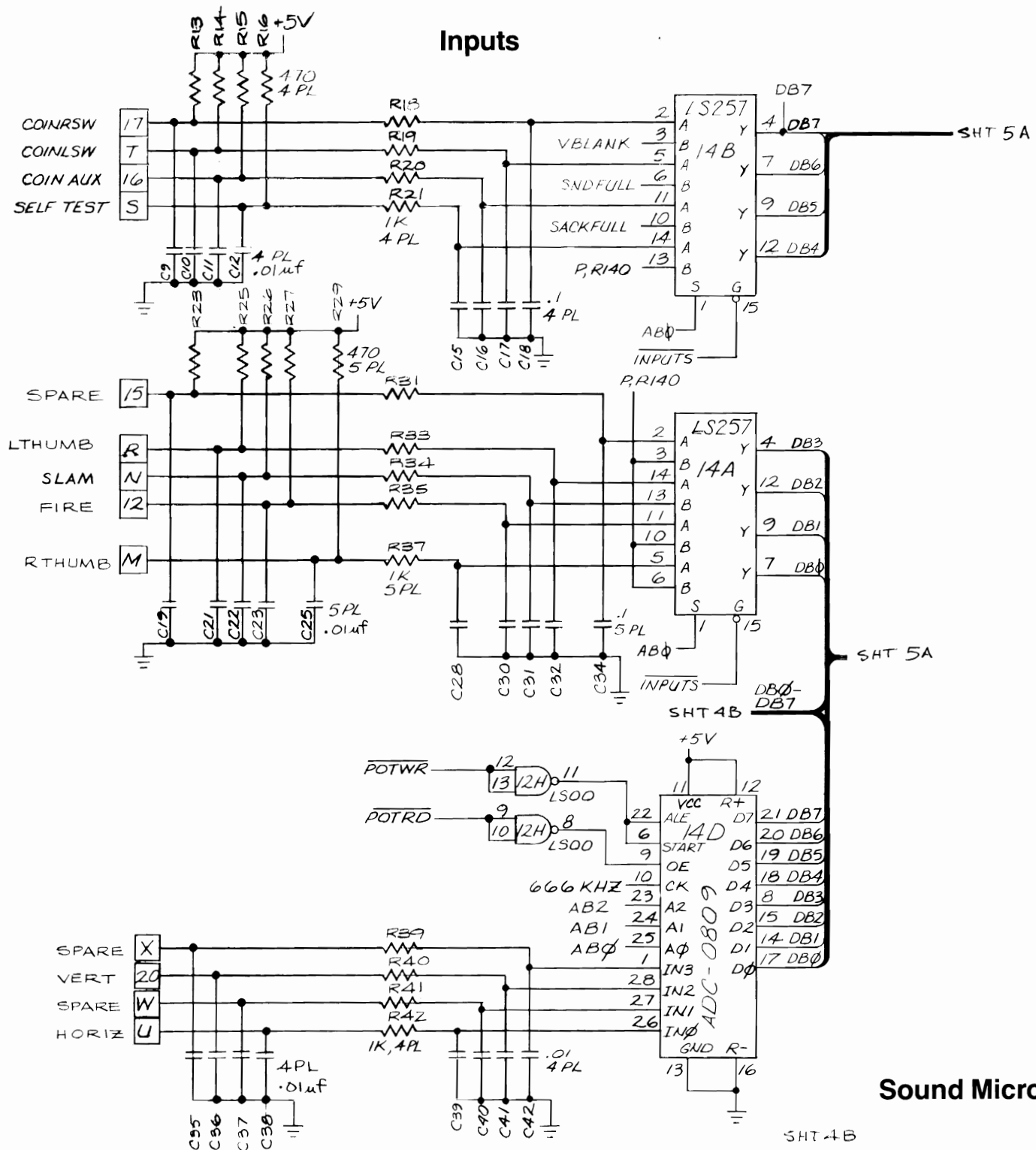


NOTICE TO ALL PERSONS RECEIVING THIS DRAWING
 CONFIDENTIAL: Reproduction forbidden without the specific written permission of Atari, Inc., Sunnyvale, CA. This drawing is only conditionally issued, and neither receipt nor possession thereof confers or transfers any right in, or license to use, the subject matter of the drawing or any design or technical information shown thereon, nor any right to reproduce this drawing or any part thereof. Except for manufacture by vendors of Atari, Inc., and for manufacture under the corporation's written license, no right is granted to reproduce this drawing or the subject matter thereof, unless by written agreement with or written permission from the corporation.

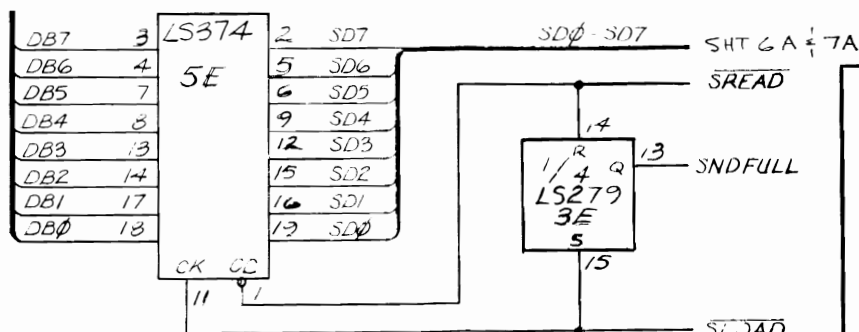
JEDI Game PCB Schematic

SP-227 Sheet 5A
 1st printing

© ATARI INC. 1984
 A Warner Communications Company




Sound Microprocessor Communication Port



NOTICE TO ALL PERSONS RECEIVING THIS DRAWING
CONFIDENTIAL: Reproduction forbidden without the specific written permission of Atari, Inc., Sunnyvale, CA. This drawing is only conditionally issued, and neither receipt nor possession thereof confers or transfers any right in, or license to use, the subject matter of the drawing or any design or technical information shown thereon, nor any right to reproduce this drawing or any part thereof. Except for manufacture by vendors of Atari, Inc., and for manufacture under the corporation's written license, no right is granted to reproduce this drawing or the subject matter thereof, unless by written agreement with or written permission from the corporation.

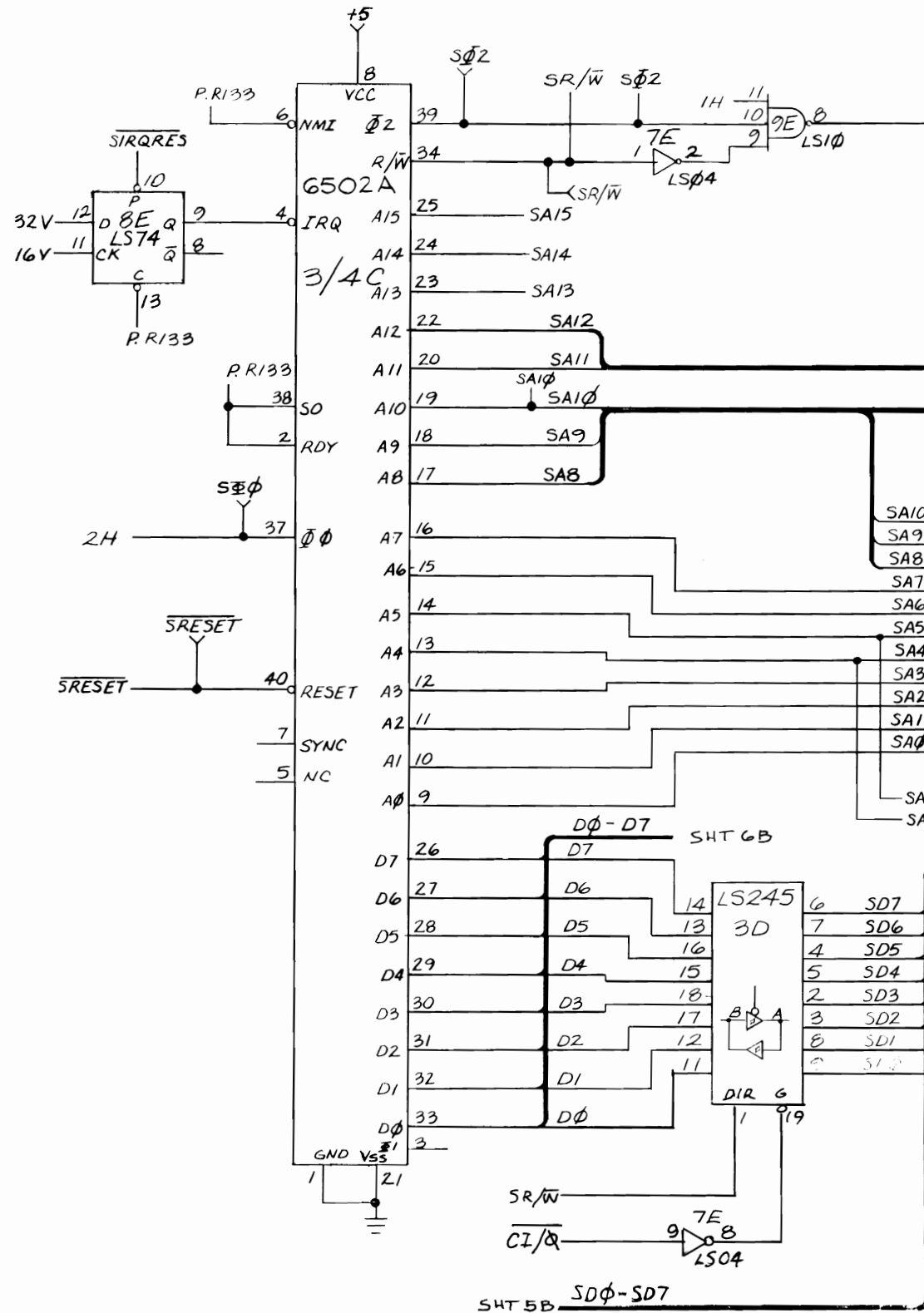
JEDI Game PCB Schematic


ATARI

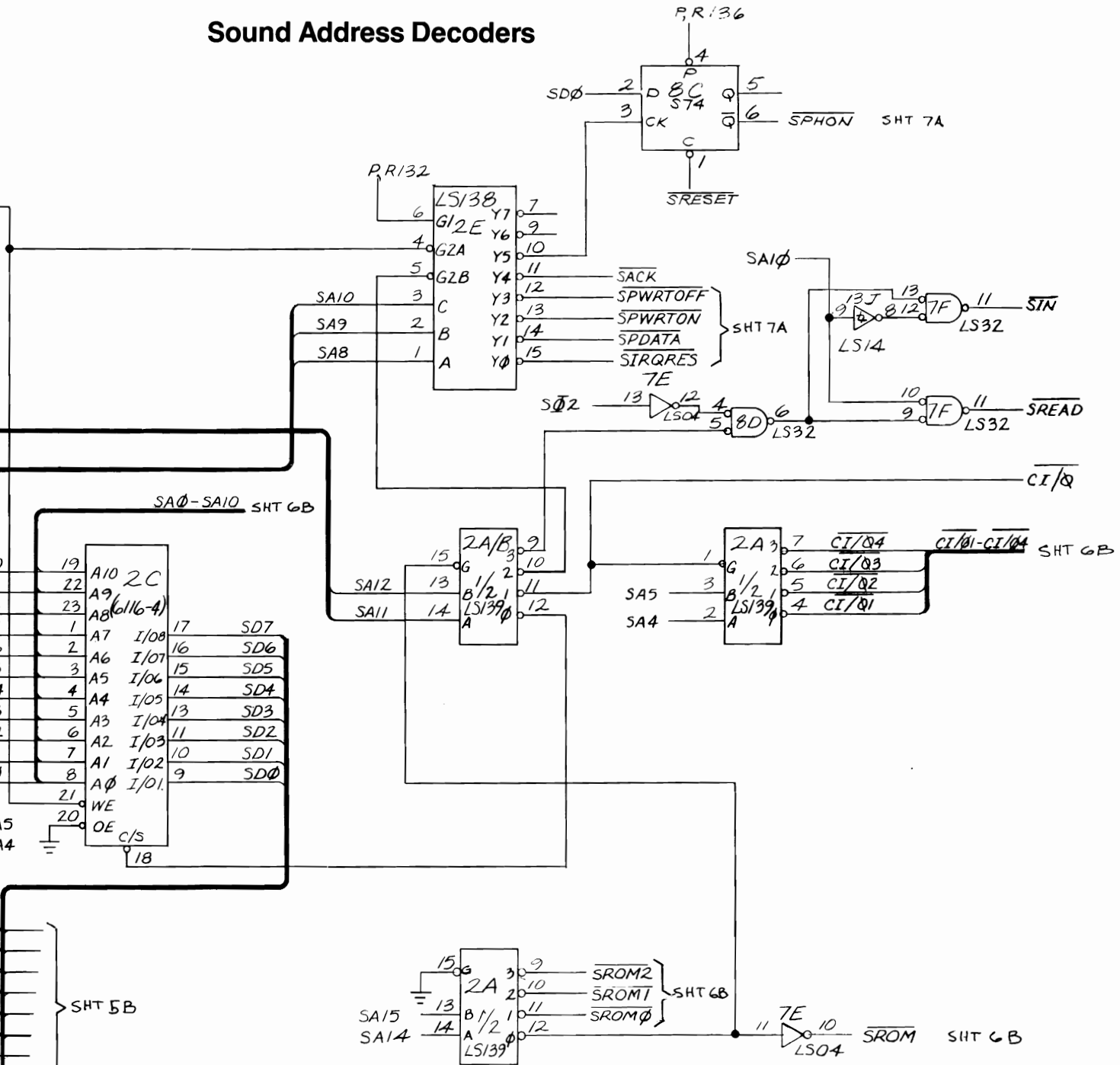
SP-227 Sheet 5B
1st printing

© ATARI INC. 1984
A Warner Communications Company

Sound Microprocessor




Sound Address Decoders



NOTICE TO ALL PERSONS RECEIVING THIS DRAWING
 CONFIDENTIAL: Reproduction forbidden without the specific written permission of Atari, Inc., Sunnyvale, CA. This drawing is only conditionally issued, and neither receipt nor possession thereof confers or transfers any right in, or license to use, the subject matter of the drawing or any design or technical information shown thereon, nor any right to reproduce this drawing or any part thereof. Except for manufacture by vendors of Atari, Inc., and for manufacture under the corporation's written license, no right is granted to reproduce this drawing or the subject matter thereof, unless by written agreement with or written permission from the corporation.

JEDI Game PCB Schematic


 ATARI
 A Warner Communications Company

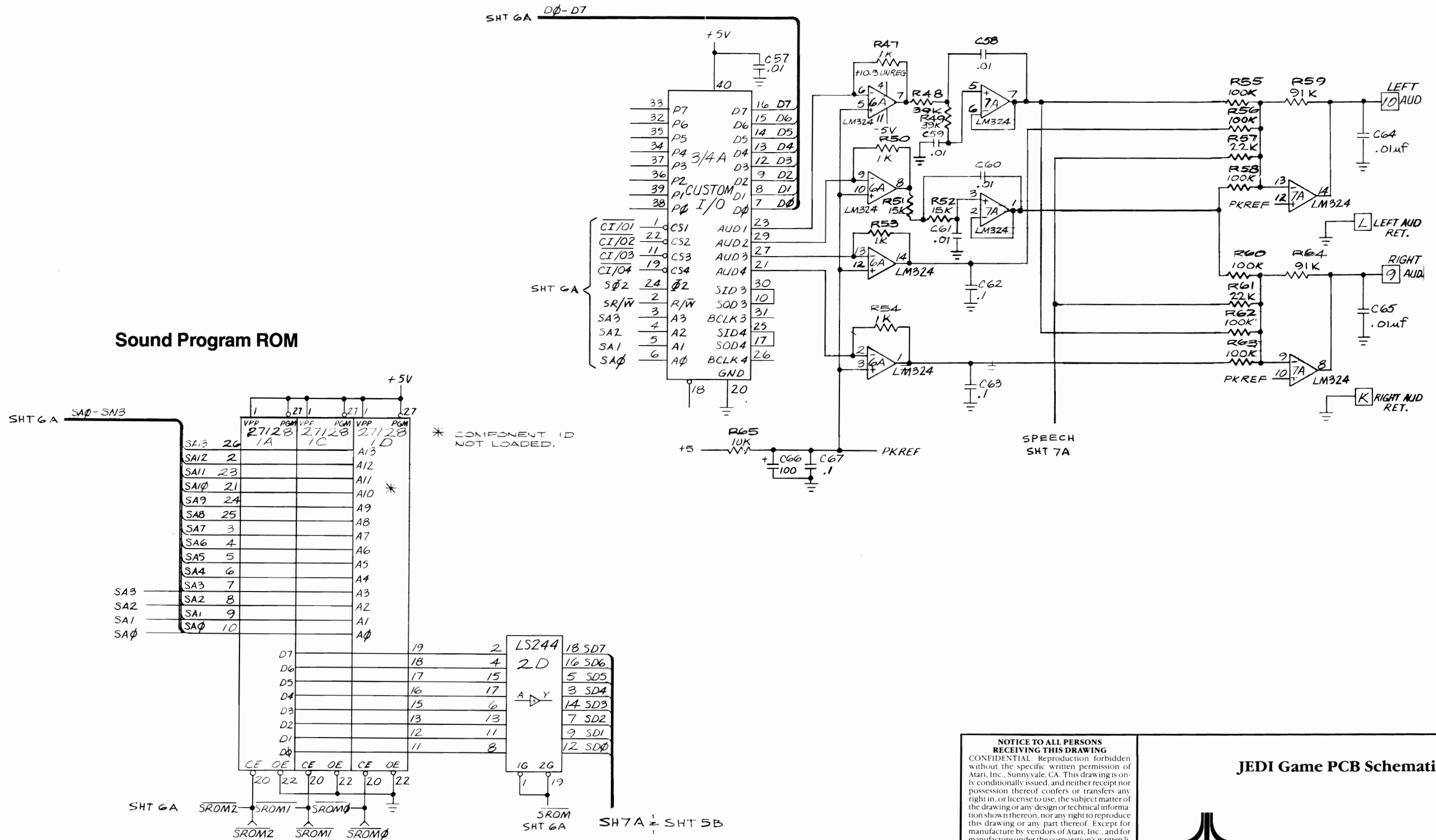
SP-227 Sheet 6A
 1st printing

© ATARI INC. 1984

Music & Sound Effects


Sound Mixing

Sound Program ROM



NOTICE TO ALL PERSONS RECEIVING THIS DRAWING
 CONFIDENTIAL: Reproduction forbidden without the specific written permission of Atari, Inc., Sunnyvale, CA. This drawing is only conditionally issued, and neither receipt nor possession thereof confers or transfers any right in, or license to use, the subject matter of the drawing or any design or technical information shown thereon, nor any right to reproduce this drawing or any part thereof. Except for manufacture by vendors of Atari, Inc., and for manufacture under the corporation's written license, no right is granted to reproduce this drawing or the subject matter thereof, unless by written agreement with or written permission from the corporation.

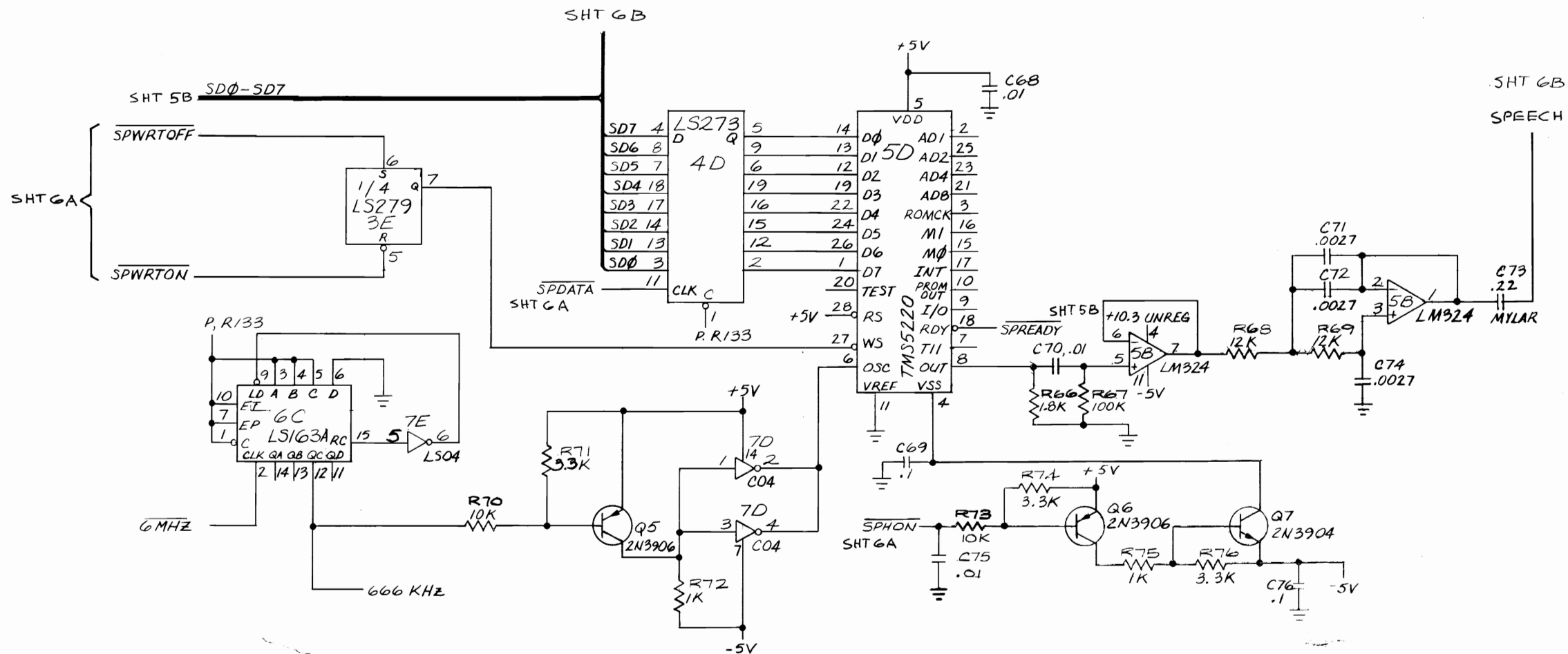
JEDI Game PCB Schematic


 A Warner Communications Company

© ATARI INC. 1984


SP-227 Sheet 6B
1st printing

Speech



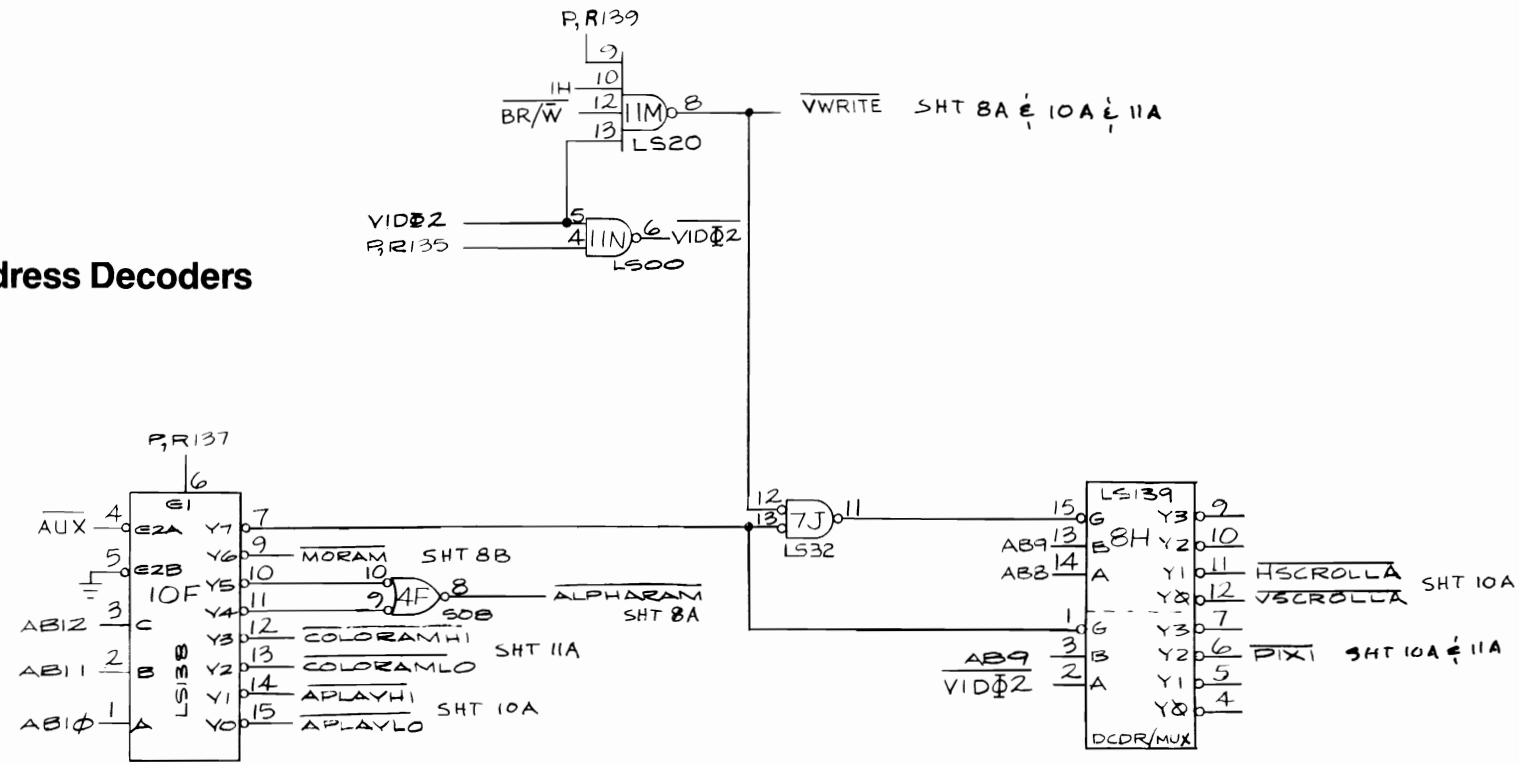
NOTICE TO ALL PERSONS RECEIVING THIS DRAWING
 CONFIDENTIAL: Reproduction forbidden without the specific written permission of Atari, Inc., Sunnyvale, CA. This drawing is only conditionally issued, and neither receipt nor possession thereof confers or transfers any right in, or license to use, the subject matter of the drawing or any design or technical information shown thereon, nor any right to reproduce this drawing or any part thereof. Except for manufacture by vendors of Atari, Inc., and for manufacture under the corporation's written license, no right is granted to reproduce this drawing or the subject matter thereof, unless by written agreement with or written permission from the corporation.

JEDI Game PCB Schematic

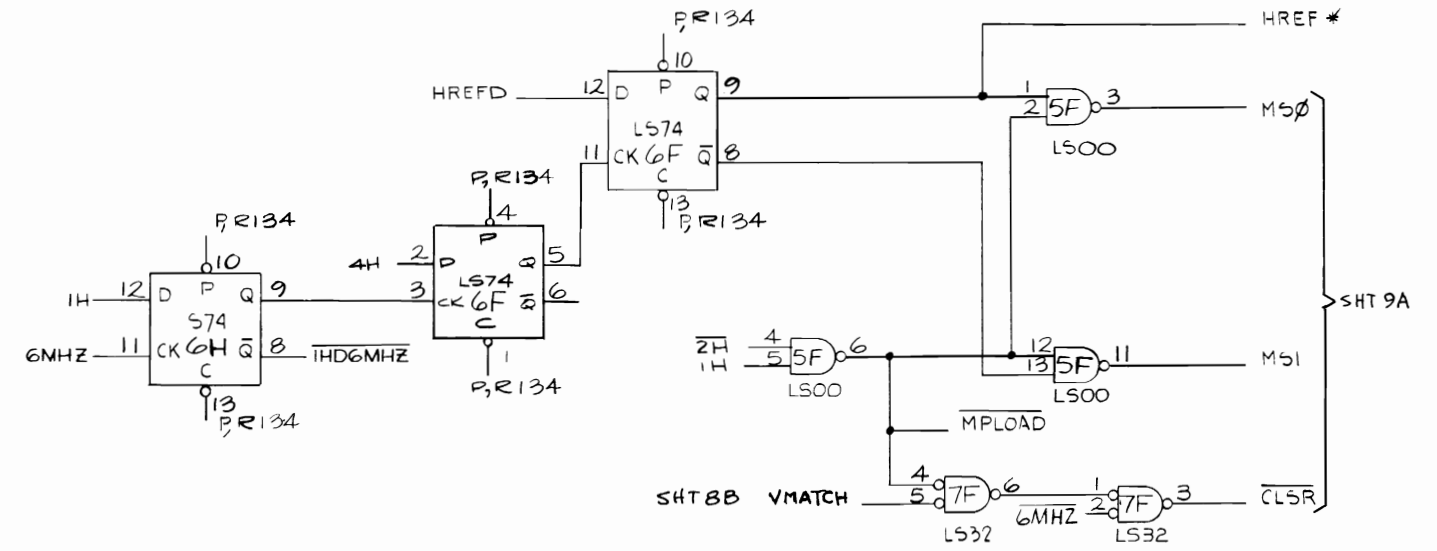

ATARI
 A Warner Communications Company


© ATARI INC. 1984
 SP-227 Sheet 7A
 1st printing

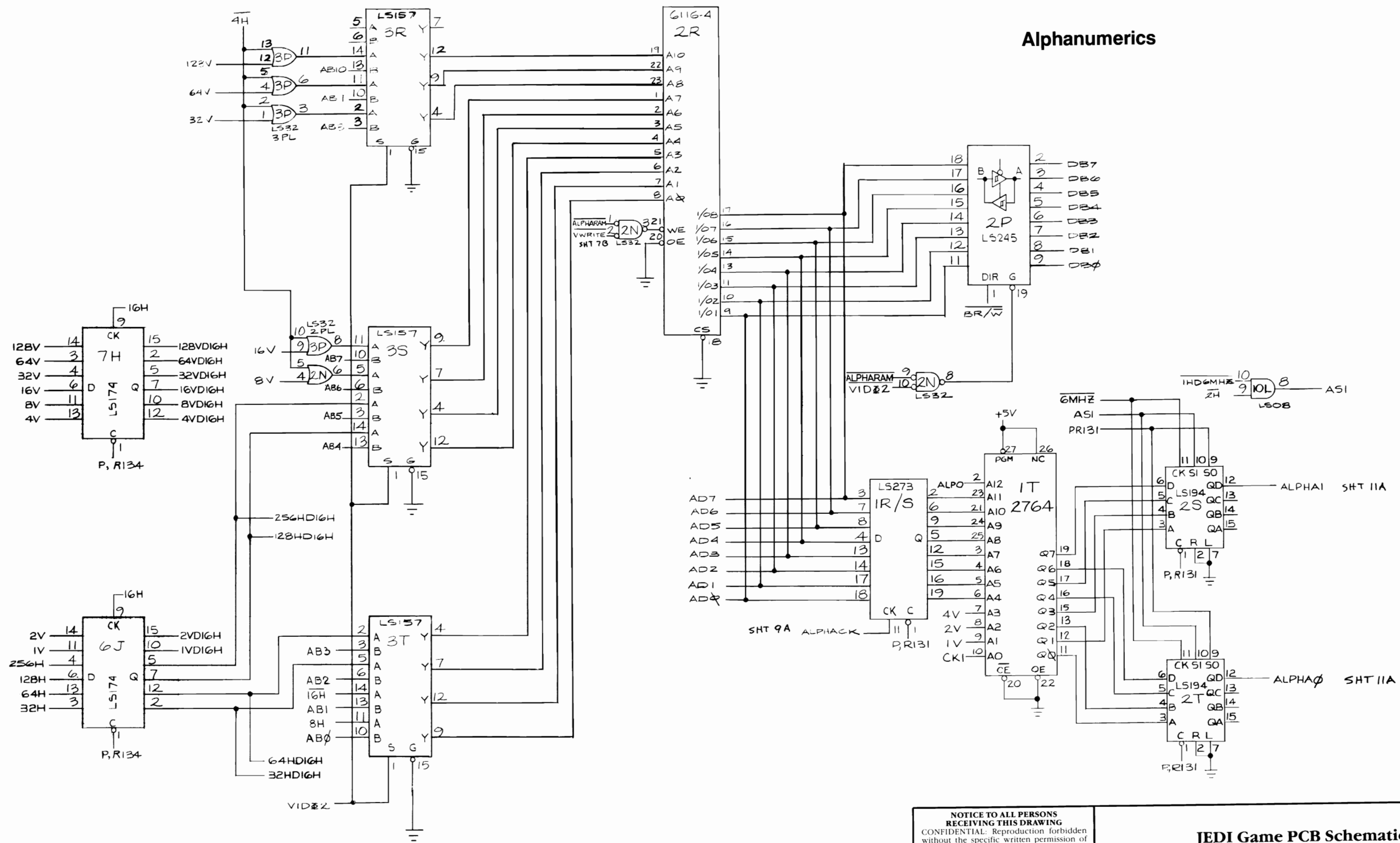
Video Address Decoders



Motion Object Control




<p>NOTICE TO ALL PERSONS RECEIVING THIS DRAWING CONFIDENTIAL: Reproduction forbidden without the specific written permission of Atari, Inc., Sunnyvale, CA. This drawing is only conditionally issued, and neither receipt nor possession thereof confers or transfers any right in, or license to use, the subject matter of the drawing or any design or technical information shown thereon, nor any right to reproduce this drawing or any part thereof. Except for manufacture by vendors of Atari, Inc., and for manufacture under the corporation's written license, no right is granted to reproduce this drawing or the subject matter thereof, unless by written agreement with or written permission from the corporation.</p>	<p style="text-align: center;">JEDI Game PCB Schematic</p> <p style="text-align: center;"></p> <p style="text-align: right;">SP-227 Sheet 7B 1st printing</p> <p style="text-align: right;">© ATARI INC. 1984</p>
---	---



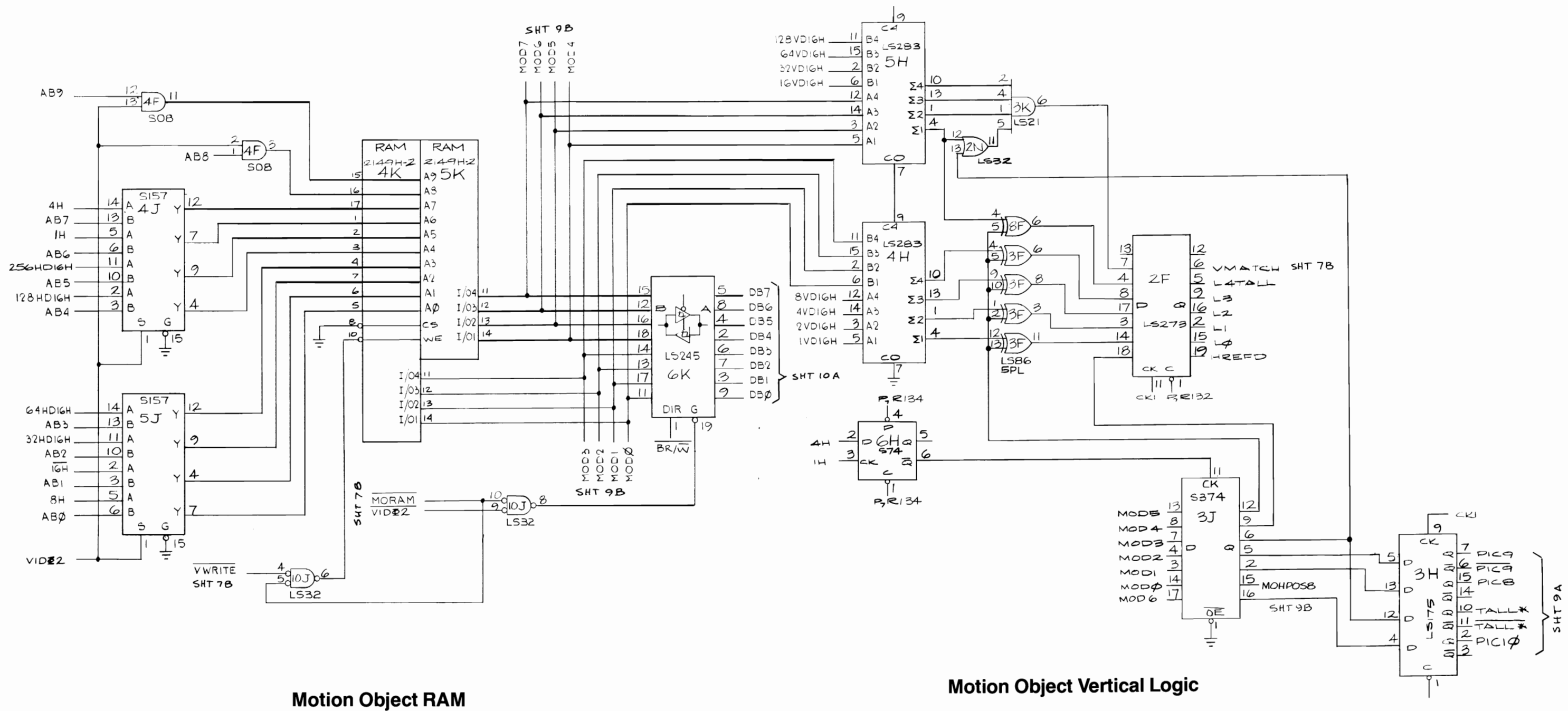
Alphanumerics

NOTICE TO ALL PERSONS RECEIVING THIS DRAWING
 CONFIDENTIAL: Reproduction forbidden without the specific written permission of Atari, Inc., Sunnyvale, CA. This drawing is only conditionally issued, and neither receipt nor possession thereof confers or transfers any right in, or license to use, the subject matter of the drawing or any design or technical information shown thereon, nor any right to reproduce this drawing or any part thereof. Except for manufacture under the corporation's written license, no right is granted to reproduce this drawing or the subject matter thereof, unless by written agreement with or written permission from the corporation.

JEDI Game PCB Schematic


 A Warner Communications Company

© ATARI INC. 1984
 SP-227 Sheet 8A
 1st printing



Motion Object RAM

Motion Object Vertical Logic

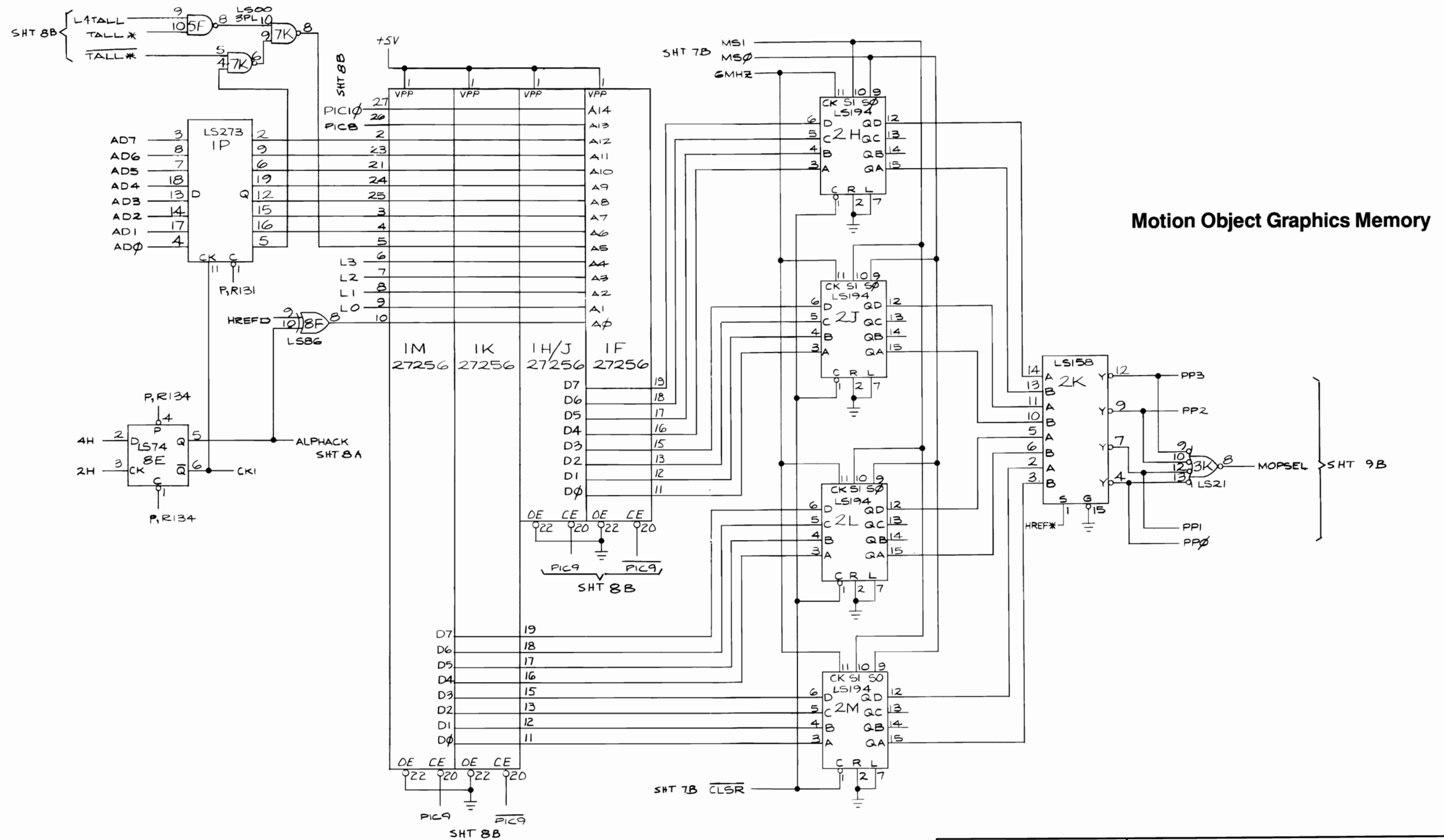
NOTICE TO ALL PERSONS RECEIVING THIS DRAWING
 CONFIDENTIAL: Reproduction forbidden without the specific written permission of Atari, Inc., Sunnyvale, CA. This drawing is only conditionally issued, and neither receipt nor possession thereof confers or transfers any right in, or license to use, the subject matter of the drawing or any design or technical information shown thereon, nor any right to reproduce this drawing or any part thereof. Except for manufacture by vendors of Atari, Inc., and for manufacture under the corporation's written license, no right is granted to reproduce this drawing or the subject matter thereof, unless by written agreement with or written permission from the corporation.

JEDI Game PCB Schematic


ATARI

SP-227 Sheet 8B
 1st printing

© ATARI INC. 1984
 A Warner Communications Company



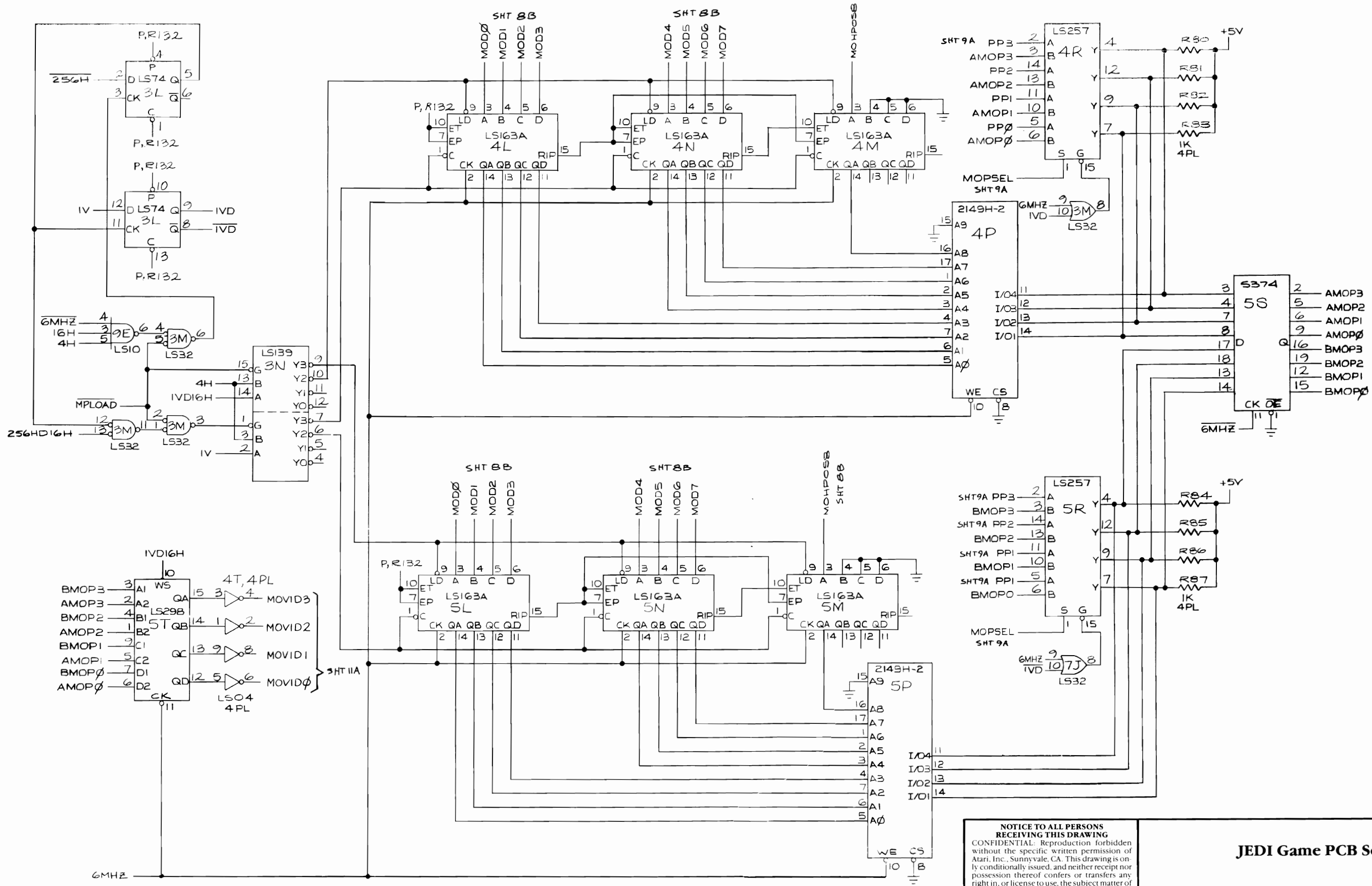
NOTICE TO ALL PERSONS RECEIVING THIS DRAWING
 CONFIDENTIAL: Reproduction forbidden without the specific written permission of Atari, Inc., Sunnyvale, CA. This drawing is only conditionally issued, and neither receipt nor possession thereof confers or transfers any right in, or license to use, the subject matter of the drawing or any design or technical information shown thereon, nor any right to reproduce this drawing or any part thereof. Except for manufacture by vendors of Atari, Inc., and for manufacture under the corporation's written license, no right is granted to reproduce this drawing or the subject matter thereof, unless by written agreement with or written permission from the corporation.

JEDI Game PCB Schematic


ATARI

SP-227 Sheet 9A
 1st printing


© ATARI INC. 1984
 A Warner Communications Company



Motion Object Horizontal Line Buffers

NOTICE TO ALL PERSONS RECEIVING THIS DRAWING
 CONFIDENTIAL: Reproduction forbidden without the specific written permission of Atari, Inc., Sunnyvale, CA. This drawing is on conditionally issued, and neither receipt nor possession thereof confers or transfers any right in, or license to use, the subject matter of the drawing or any design or technical information shown thereon, nor any right to reproduce this drawing or any part thereof. Except for manufacture by vendors of Atari, Inc., and for manufacture under the corporation's written license, no right is granted to reproduce this drawing or the subject matter thereof, unless by written agreement with or written permission from the corporation.

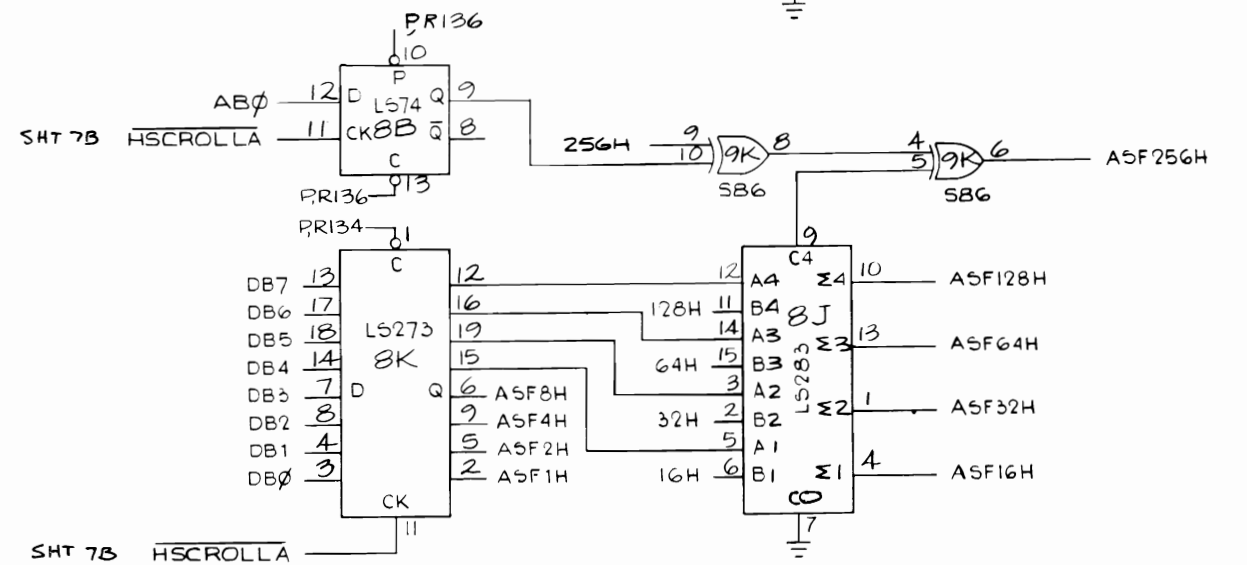
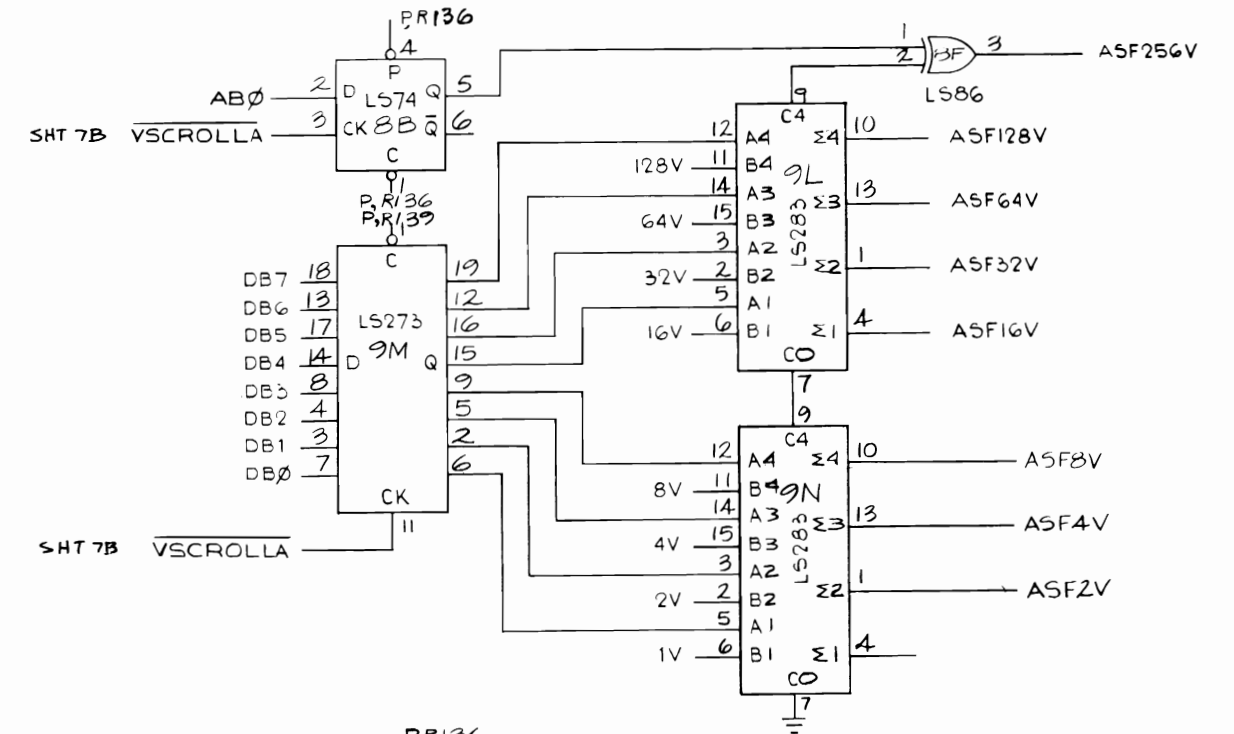
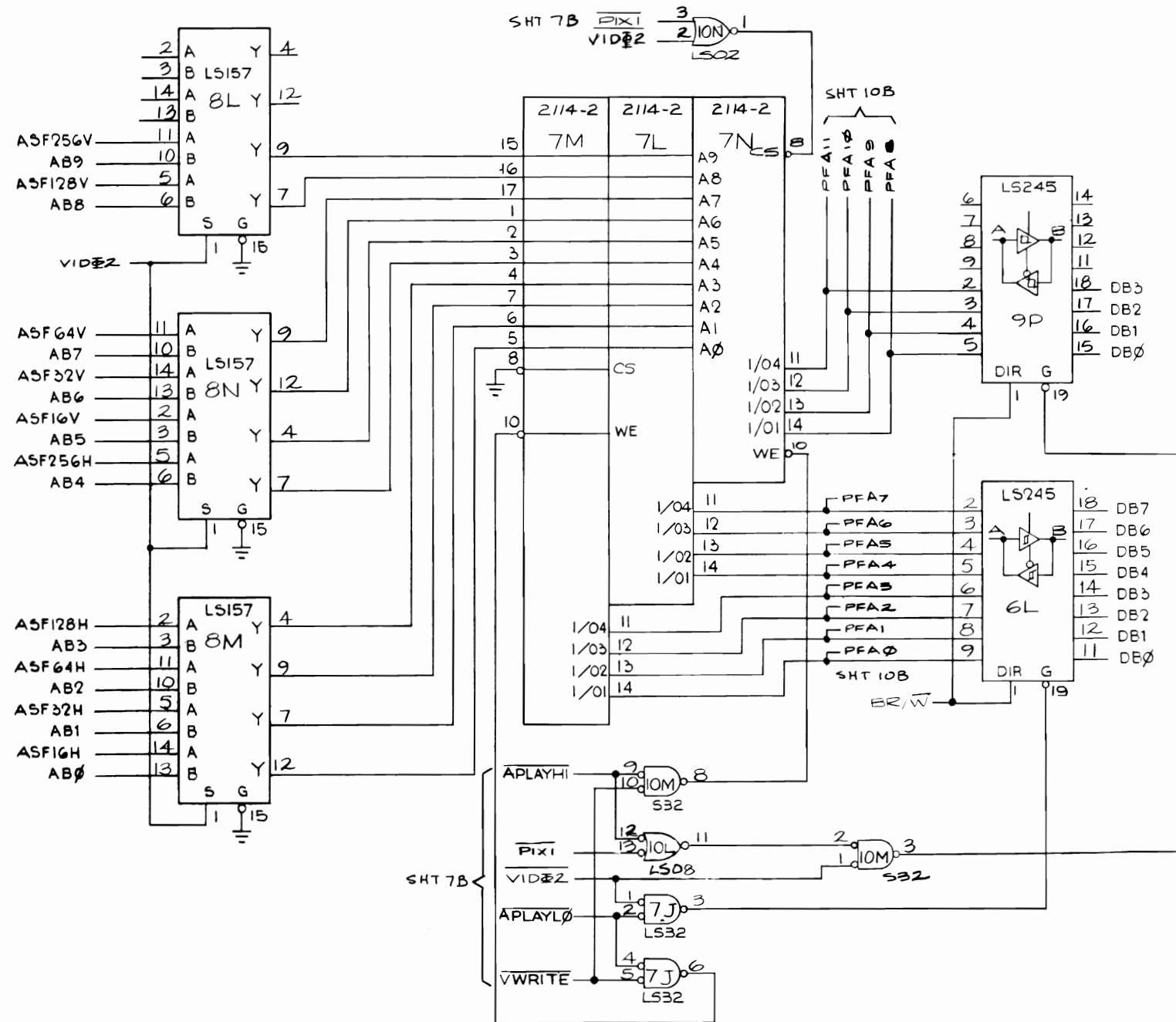
JEDI Game PCB Schematic



SP-227 Sheet 9B
1st printing

© ATARI INC. 1984
A Warner Communications Company

Scrolling Playfield RAM



Scrolling Playfield Horizontal and Vertical Registers

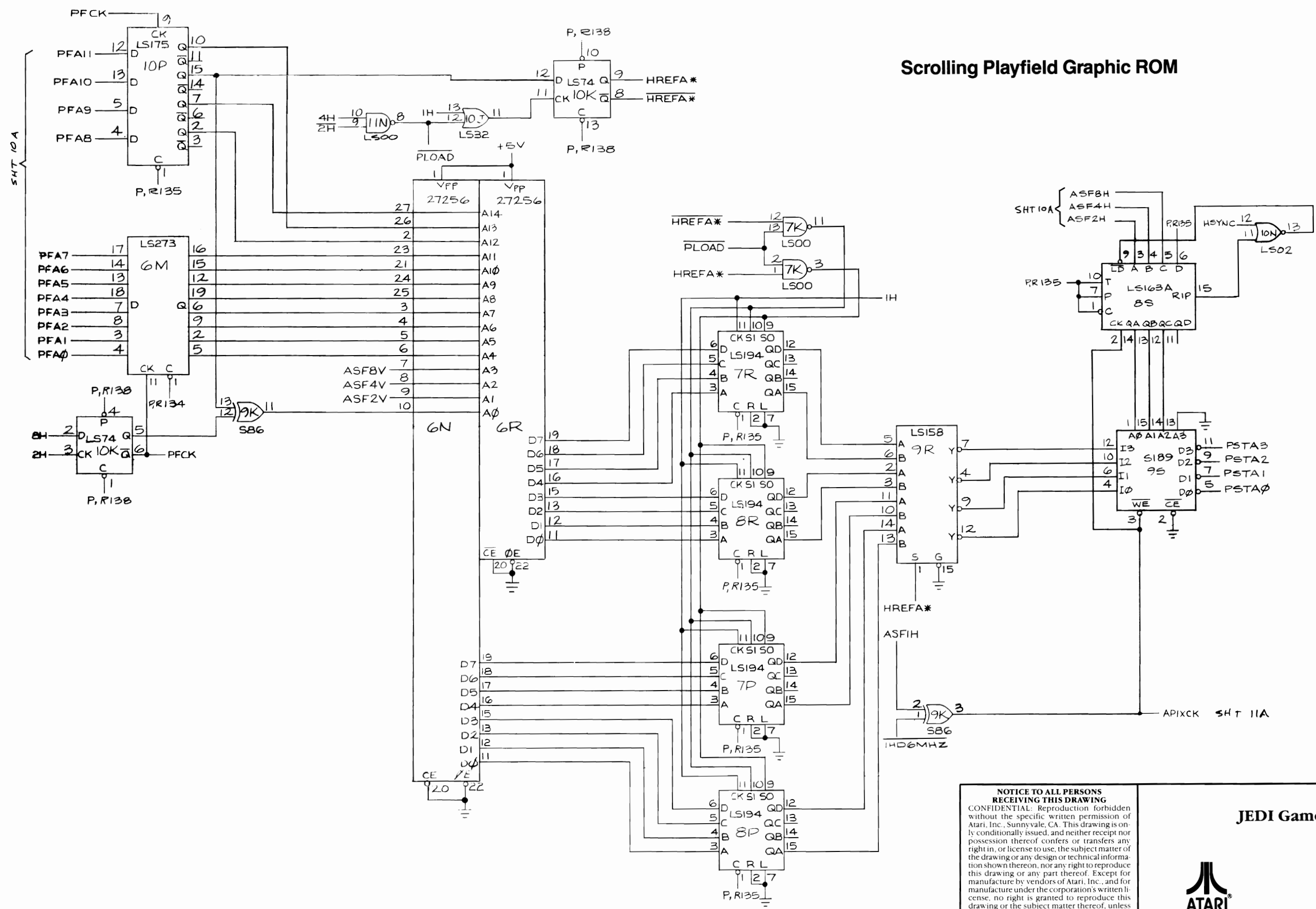
NOTICE TO ALL PERSONS RECEIVING THIS DRAWING
 CONFIDENTIAL: Reproduction forbidden without the specific written permission of Atari, Inc., Sunnyvale, CA. This drawing is only conditionally issued, and neither receipt nor possession thereof confers or transfers any right in, or license to use, the subject matter of the drawing or any design or technical information shown thereon, nor any right to reproduce this drawing or any part thereof. Except for manufacture by vendors of Atari, Inc., and for manufacture under the corporation's written license, no right is granted to reproduce this drawing or the subject matter thereof, unless by written agreement with or written permission from the corporation.

JEDI Game PCB Schematic

SP-227 Sheet 10A
1st printing

© ATARI INC. 1984
A Warner Communications Company

Scrolling Playfield Graphic ROM



NOTICE TO ALL PERSONS RECEIVING THIS DRAWING
 CONFIDENTIAL: Reproduction forbidden without the specific written permission of Atari, Inc., Sunnyvale, CA. This drawing is only conditionally issued, and neither receipt nor possession thereof confers or transfers any right in, or license to use, the subject matter of the drawing or any design or technical information shown thereon, nor any right to reproduce this drawing or any part thereof. Except for manufacture by vendors of Atari, Inc., and for manufacture under the corporation's written license, no right is granted to reproduce this drawing or the subject matter thereof, unless by written agreement with or written permission from the corporation.

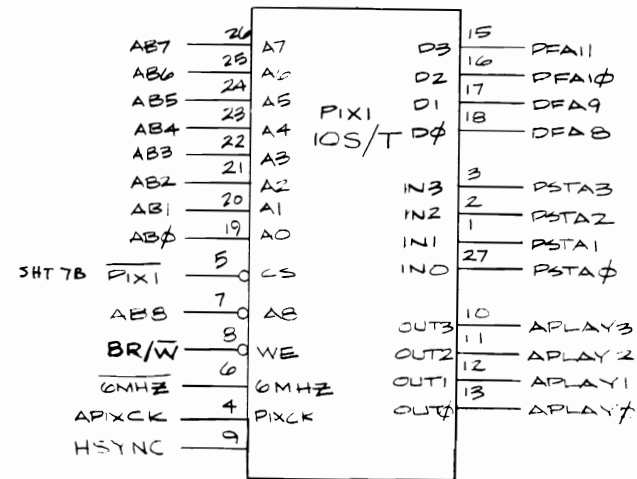
JEDI Game PCB Schematic

ATARI
 A Warner Communications Company

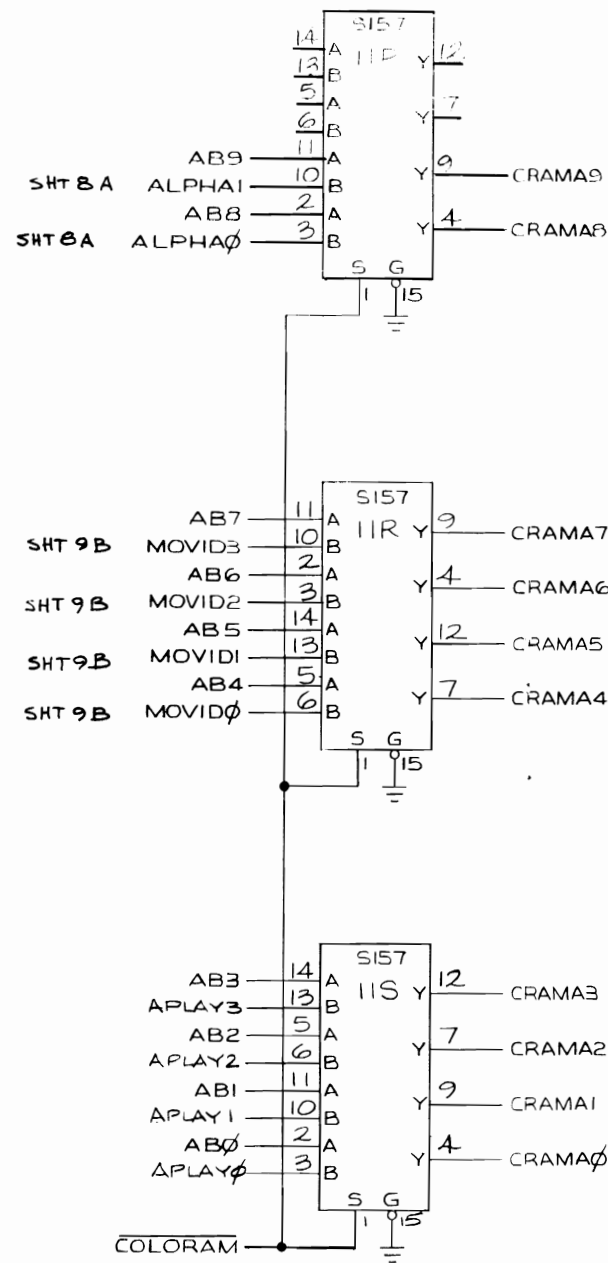
SP-227 Sheet 10B
 1st printing

© ATARI INC. 1984

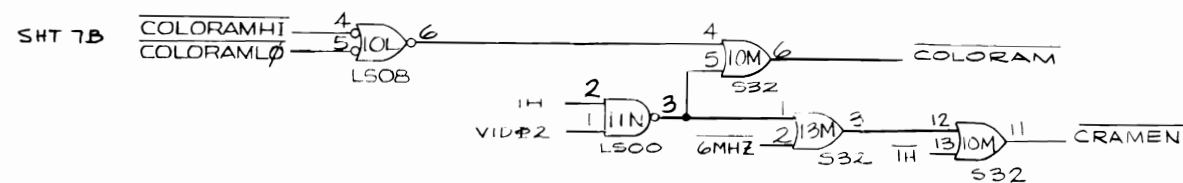
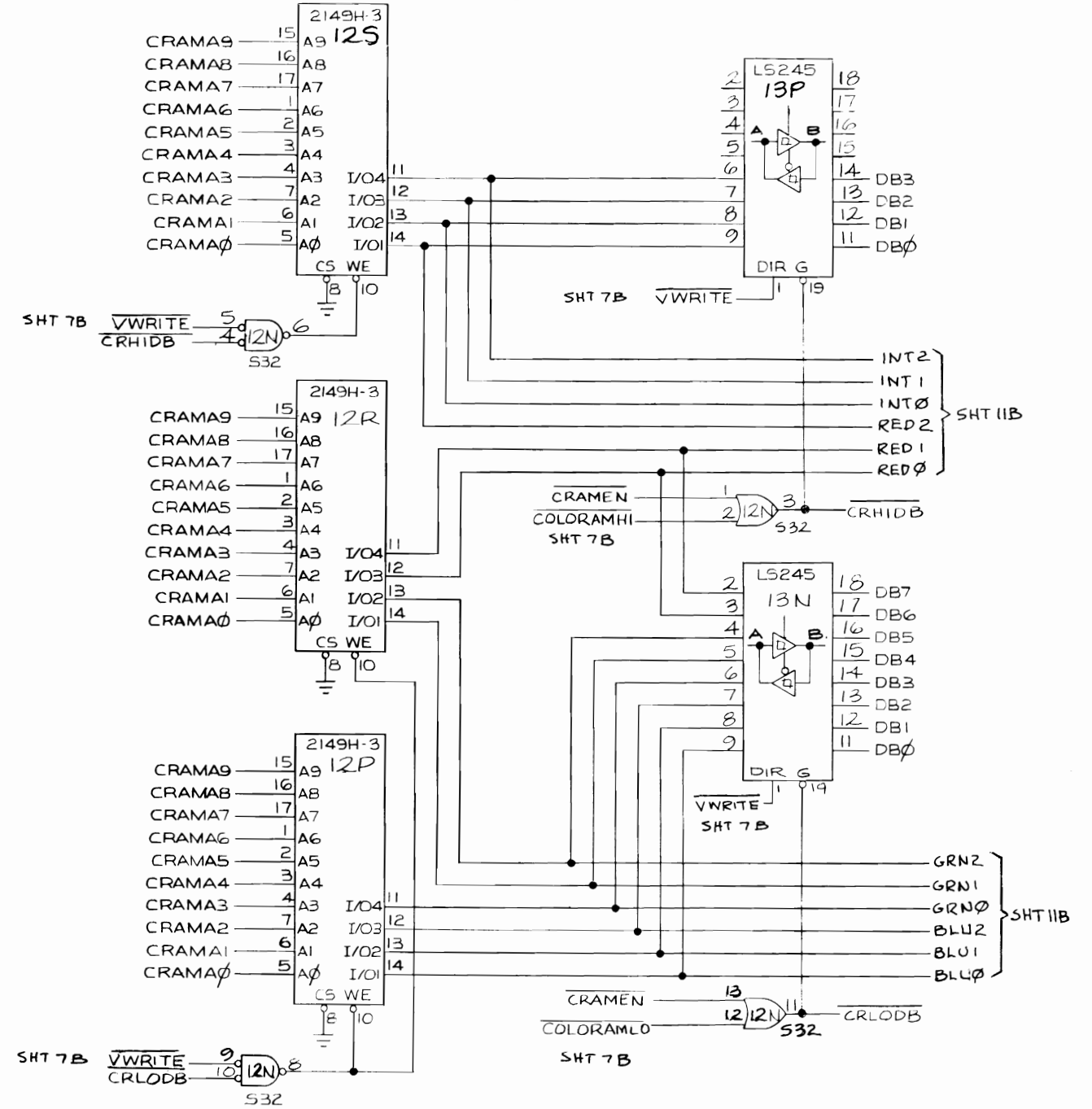
Scrolling Playfield Graphic Expander



Color RAM Multiplexers & Control Logic



Color RAM



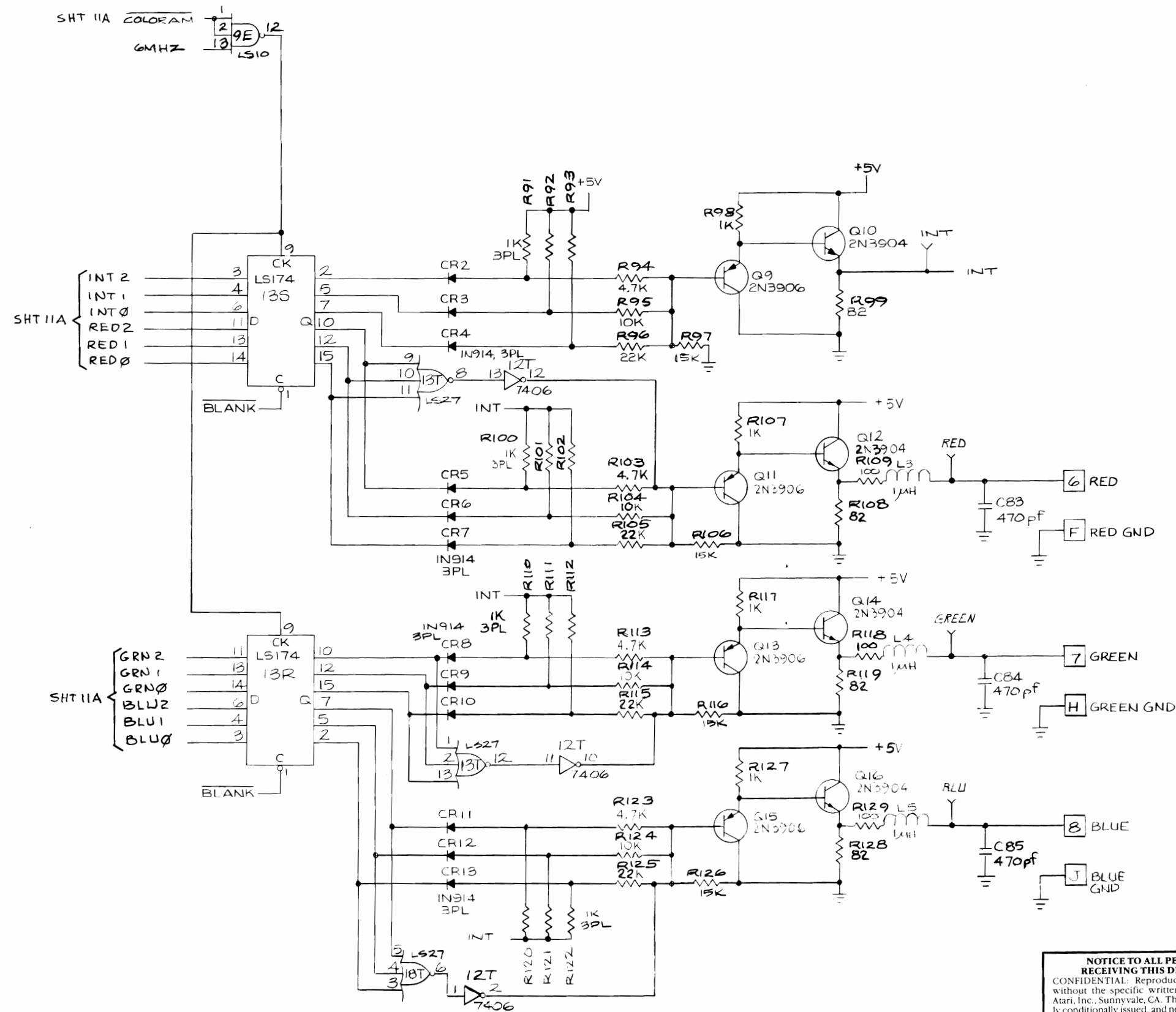
NOTICE TO ALL PERSONS RECEIVING THIS DRAWING
 CONFIDENTIAL: Reproduction forbidden without the specific written permission of Atari, Inc., Sunnyvale, CA. This drawing is only conditionally issued, and neither receipt nor possession thereof confers or transfers any right in, or license to use, the subject matter of the drawing or any design or technical information shown thereon, nor any right to reproduce this drawing or any part thereof. Except for manufacture by vendors of Atari, Inc., and for manufacture under the corporation's written license, no right is granted to reproduce this drawing or the subject matter thereof, unless by written agreement with or written permission from the corporation.

JEDI Game PCB Schematic

ATARI
 A Warner Communications Company

© ATARI INC. 1984

SP-227 Sheet 11A
 1st printing



Color Output

NOTICE TO ALL PERSONS RECEIVING THIS DRAWING
 CONFIDENTIAL: Reproduction forbidden without the specific written permission of Atari, Inc., Sunnyvale, CA. This drawing is only conditionally issued, and neither receipt nor possession thereof confers or transfers any right in, or license to use, the subject matter of the drawing or any design or technical information shown thereon, nor any right to reproduce this drawing or any part thereof. Except for manufacture by vendors of Atari, Inc., and for manufacture under the corporation's written license, no right is granted to reproduce this drawing or the subject matter thereof, unless by written agreement with or written permission from the corporation.

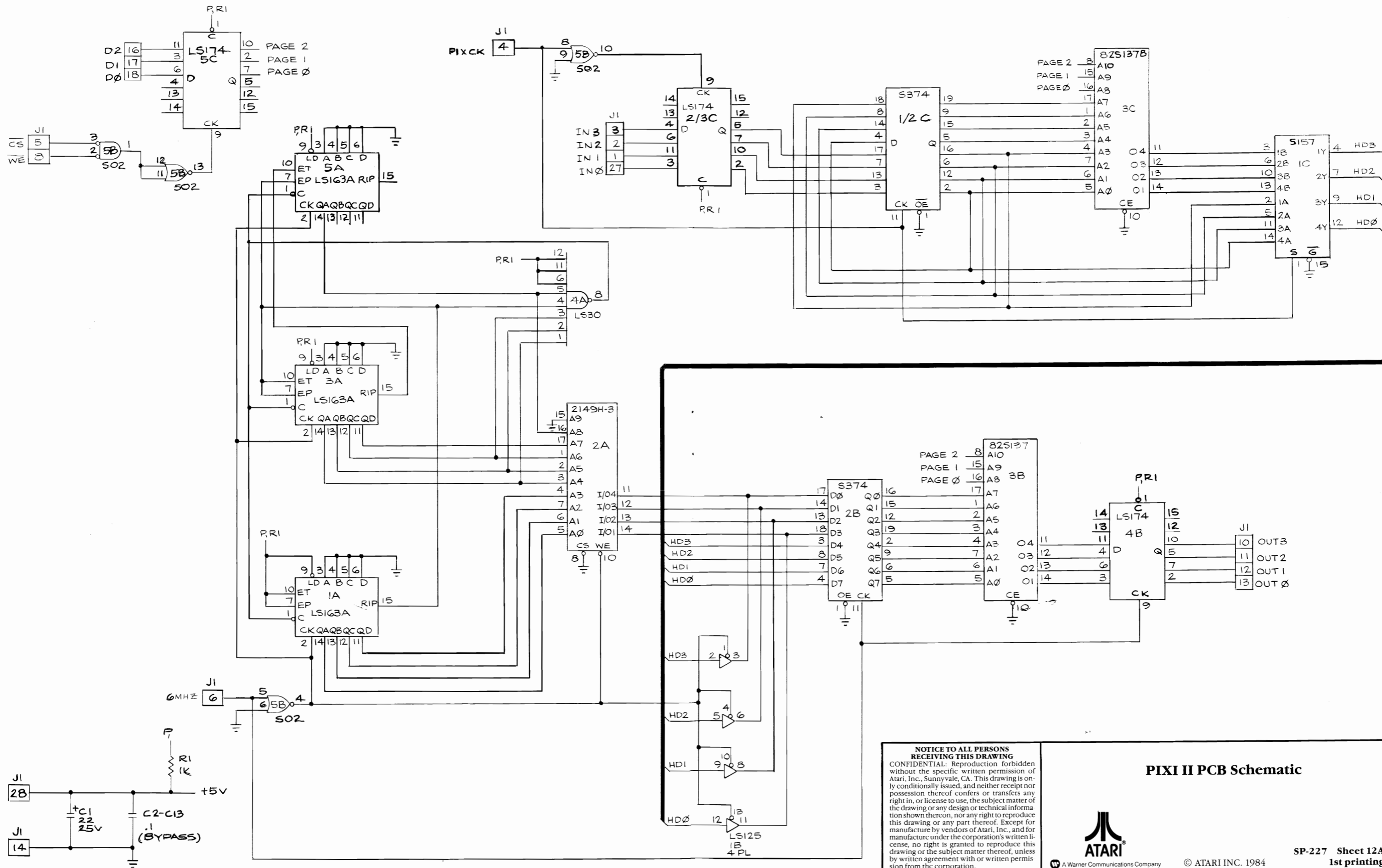
JEDI Game PCB Schematic

ATARI

© ATARI INC. 1984


SP-227 Sheet 11B
1st printing

A Warner Communications Company



NOTICE TO ALL PERSONS RECEIVING THIS DRAWING
 CONFIDENTIAL: Reproduction forbidden without the specific written permission of Atari, Inc., Sunnyvale, CA. This drawing is only conditionally issued, and neither receipt nor possession thereof confers or transfers any right in, or license to use, the subject matter of the drawing or any design or technical information shown thereon, nor any right to reproduce this drawing or any part thereof. Except for manufacture by vendors of Atari, Inc., and for manufacture under the corporation's written license, no right is granted to reproduce this drawing or the subject matter thereof, unless by written agreement with or written permission from the corporation.

PIXI II PCB Schematic


 A Warner Communications Company

© ATARI INC. 1984
 SP-227 Sheet 12A
 1st printing