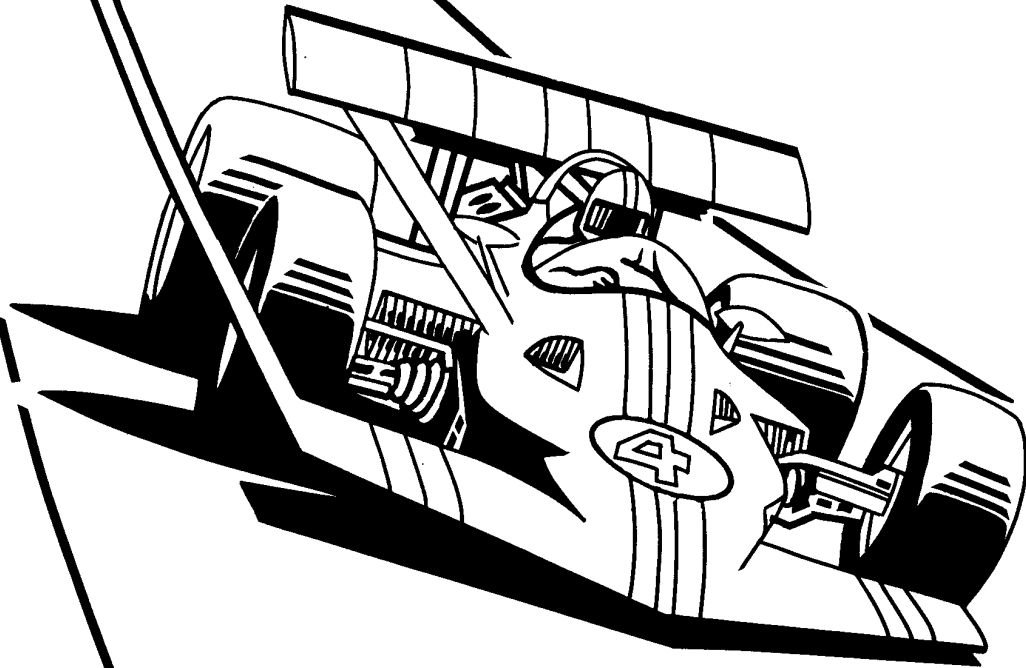


centuri T.M.
,INC.
HIALEAH . FLORIDA . U . S . A

ROUTE 16®



SERVICE MANUAL

ROUTE 16

CENTURI, INC.
245 W. 74TH PLACE
HIALEAH, FL. 33014
TEL. #(305) 558-5200

CUSTOMER SERVICE:
TEL. #(305) 558-5200 (IN FLORIDA)
TEL. #(800) 327-7710 (OUTSIDE FLORIDA)

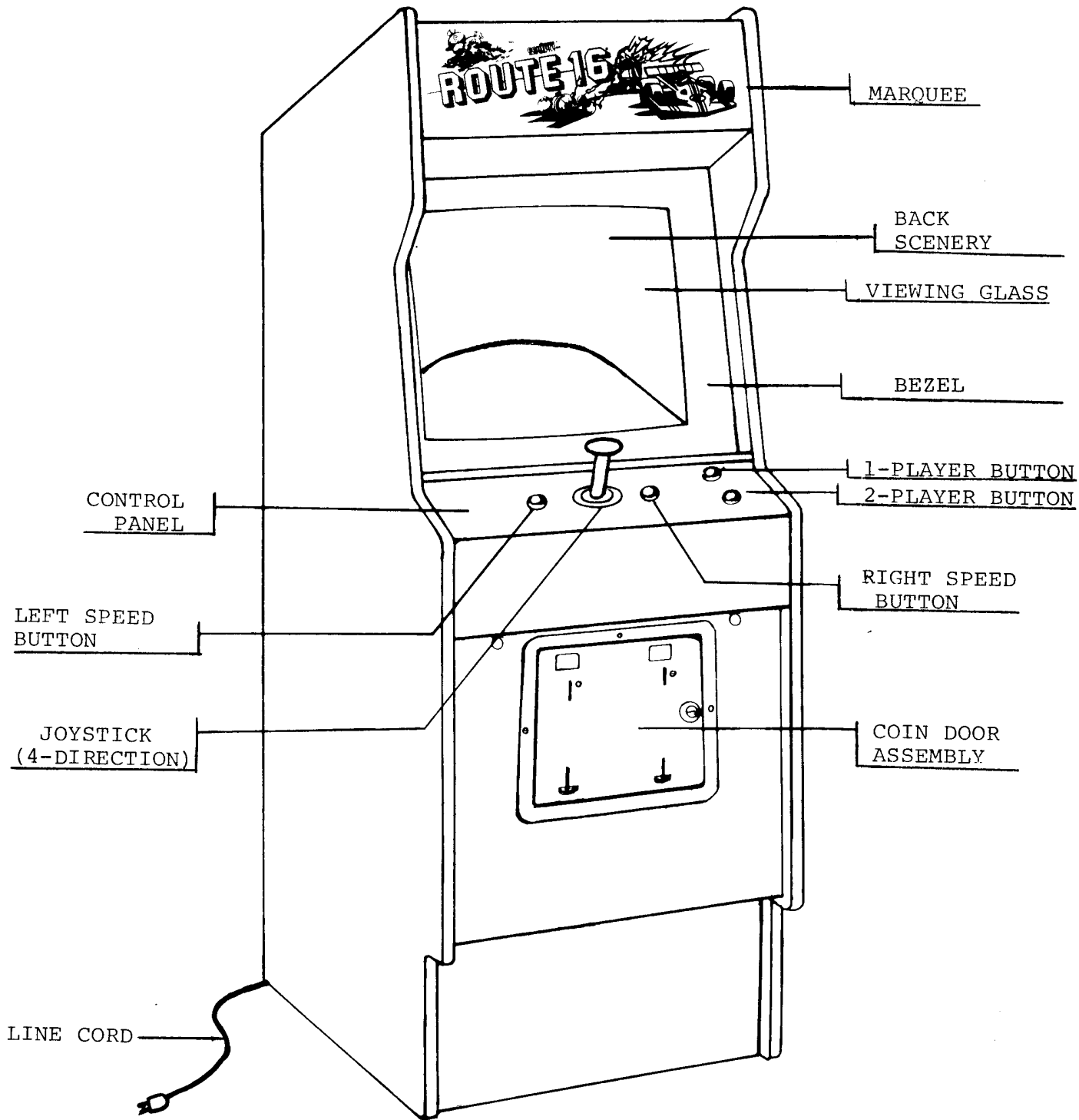
TABLE OF CONTENTS

| | <u>PAGE NO.</u> |
|---|--------------------|
| I. <u>INTRODUCTION:</u> | |
| USER INFORMATION - F.C.C. | 1 |
| GAME DESCRIPTION (DIAGRAM)..... | 2 |
| GAME SUMMARY | 3 |
| II. <u>SPECIFICATIONS:</u> | |
| INSTALLATION | 4 |
| ELECTRICAL REQUIREMENTS | 4 |
| 110/220 CONVERSION INSTRUCTIONS | 5 |
| III. <u>OPERATION:</u> | |
| GAME INSTRUCTIONS | 6 |
| GAME SCORING | 6 |
| OPERATOR OPTIONAL SWITCH SETTINGS | 7 |
| OPTIONAL SWITCH SETTINGS | 7 |
| ROUTINE MAINTENANCE & SERVICE | 8 |
| POWER SUPPLY | 8 |
| IV. <u>GENERAL:</u> | |
| ROM A6 PRINTED CIRCUIT BOARD PARTS LIST | 9 |
| C.P.U. PRINTED CIRCUIT BOARD PARTS LIST | 10, 11 |
| POWER SUPPLY PARTS LIST | 12, 13 |
| CONTROL DECK ASSEMBLY - EXPLODED VIEW | 14 |
| COIN DOOR ASSEMBLY - FIGURE 1 | 15 |
| COIN DOOR ASSEMBLY - FIGURE 2 | 16 |
| V. <u>DRAWINGS:</u> | |
| 110/220 POWER INTERCONNECT DIAGRAM | (361-10-0900) ..17 |
| C.P.U. HARNESS DIAGRAM | (366-12-0100) ..18 |
| POWER SUPPLY SCHEMATIC | (363-17-0300) ..19 |
| COIN DOOR WIRING DIAGRAM | (364-62-1000) ..20 |
| CPU/LOGIC BOARD SCHEMATICS: | |
| SOUND BOARD (1 of 8)..... | (366-10-0400) ..21 |
| S1 BOARD (2 of 8) | (366-10-0400) ..22 |
| VRAM2 BOARD (3 of 8) | (366-10-0400) ..23 |
| CPU-2 BOARD (4 of 8) | (366-10-0400) ..24 |
| VRAM-1 BOARD (5 of 8)..... | (366-10-0400) ..25 |
| CPU-1 BOARD (6 of 8) | (366-10-0400) ..26 |
| DUAL PORT RAM (7 of 8) | (366-10-0400) ..27 |
| IN/OUT BOARD (8 of 8) | (366-10-0400) ..28 |

USER INFORMATION - F.C.C.

WARNING:

This equipment generates, uses and can radiate radio frequency energy and if not installed and used in accordance with the instructions manual, may cause interference to radio communications. As temporarily permitted by regulation, it has not been tested for compliance pursuant to Subpart J of Part 15 of F.C.C. Rules, which are designed to provide reasonable protection against such interference. Operation of this equipment in a residential area is likely to cause interference in which case the user at his own expense will be required to take whatever measures may be required to correct the interference.



19" "ROUTE 16" VIDEO UPRIGHT

ROUTE 16

GAME SUMMARY

Route 16 is a challenging race car game, integrating special features to excite the beginner as well as the seasoned player. The vivid video screen is fascinating, and is complimented by exceptional audio during game play.

The red car is controlled by the joystick feature, and is pursued through 16 different routes (mazes) by three chase cars. The search mode reveals an overview of all 16 routes, and the search mode appears whenever the car exits a route. In the search mode, the player car becomes a red cube, and the chase cars become yellow cubes.

Whenever the player car exits one route, there is a one second delay for a total overview of the game.

Each route has dead-ends, zig-zags, and multiple entrances and exits.

Some routes have the dollar symbol (\$), and the player scores 200 points each time this symbol is cleared. The dollar symbols randomly change to oil slicks, and when encountered, the oil slicks slow down the player car.

The question mark symbol (?), is surrounded by check points (□), and will either reveal a bomb symbol or a bell mark after the player car clears the check point. The bell will add 800 points to the player's score when cleared. Player skill is tested here to avoid the bomb if it appears.

Some routes have a flag symbol, and when the player car clears the symbol, the pursuing cars become dollar symbols, and every effort should be made by the player to chase them down, and add extra points to his score.

One route has a flickering bonus car symbol. When the symbol appears, clear it and earn an additional player car.

One route has an additional game feature. When the player car enters the maze, it is pursued by an attacking monster. The player car cannot clear or collide with the monster, but must avoid it, or be destroyed.

The high-speed button is another feature of Route 16. When pushed, the player car is accelerated to escape the chase cars. Usage of the high-speed button reduces the player car's fuel. At the end of each round, bonus points are added to the player's score for remaining fuel.

After all the symbols are cleared, the round ends. In successive rounds, additional dollar symbols (\$), and additional enemy chase cars are added.

The game is over when all the player cars have crashed.

INSTALLATION

Your game was shipped from the factory in ready-to-play condition. A brief inspection is suggested before the machine is removed from the carton. If there is damage to the shipping carton, contact the freight carrier for claim purposes. External damage could indicate possible damage to the cabinet and/or electronic components.

After the carton has been satisfactorily inspected, remove the machine from the shipping carton.

Examine the interior of the game for disconnected wires, cables or harnesses and make sure electronic devices are securely mounted in their sockets, etc. Record the game serial number, since it will be required for reference and servicing.

ELECTRICAL REQUIREMENTS

Unless otherwise specified, this game is set to operate at 110 Volts A.C. See Figure (1) for 110/220 VAC conversion instructions.

Power Supply Chassis schematic information and parts list are included in this manual.

FIGURE (1)

110/220 VAC CONVERSION INSTRUCTIONS

1. This video arcade game has a harnessing configuration that allows the machine to be operated from either a 110 VAC or 220 VAC @ 50 or 60 Hz power source, with only minor changes. The only items requiring a change are the fuses and the jumper plug on the game power transformer.
2. First, unplug the machine from the wall outlet to completely eliminate shock hazards.
3. Next, remove the two fuses in the A.C. distribution bracket.
4. Then, remove the jumper plug on the game power transformer located on the floor of the machine.
5. Now, depending on what voltage you wish to run the game from, do the following:
 - 110 VAC: Replace the two fuses that go in the bracket with 3-AMP SLOW-BLOW types. Next, plug in the ORANGE jumper plug labeled 110 VAC. The machine can now be operated with an input voltage of 110 Volts AC.
 - 220 VAC: Replace the two fuses that go in the bracket with 1½ AMP SLOW-BLOW types. Next, plug in the RED jumper plug labeled 220 VAC. The machine can now be operated with an input voltage of 220 volts AC.



















NOTE: All games shipped from CENTURI, INC. are in the 110 VAC configuration.

ROUTE 16 - GAME INSTRUCTIONS

1. INSERT COIN.
2. SELECT ONE-PLAYER OR TWO-PLAYER BUTTON.
3. JOYSTICK CONTROL MANUEVERS PLAYER CAR IN FOUR DIRECTIONS, ENABLING CAR TO TRAVEL THROUGH EACH "ROUTE" (MAZE), AND ENTER AND EXIT EACH "ROUTE".
4. HIGH SPEED BUTTON ACCELERATES PLAYER CAR, BUT DECREASES FUEL.
5. POINTS ARE SCORED BY CLEARING SYMBOLS ON EACH ROUTE.
6. BONUS POINTS ARE SCORED WHEN ALL SYMBOLS ARE CLEARED BEFORE FUEL IS DEPLETED. BONUS POINTS ARE ADDED AS TEN (10) TIMES FUEL BALANCE.
7. BONUS CAR IS ADDED WHEN PLAYER CAR CLEARS FLASHING CAR SYMBOL.
8. CLEARING FLAG MARK CHANGES ENEMY CARS TO DOLLARS (\$) POINTS.
9. MYSTERY MARK (? MARK) IS REVEALED AS A DOLLAR SYMBOL OR BOMB SYMBOL WHEN PLAYER CAR CROSSES CHECK POINTS SURROUNDING MYSTERY MARK.
10. GAME IS OVER WHEN ALL PLAYER CARS HAVE CRASHED.

GAME SCORING

POINT VALUES

| | DOLLAR | FLAG | QUESTION MARK | BELL(\$) | BOMB | EXTRA CAR | OIL | ENEMY CAR | PLAYER CAR |
|------------------|---|---|---|---|--|---|---|---|---|
| ONE ROUTE VIEW: |  |  |  |  |  |  |  |  |  |
| | 200 points | 500 points | ? points | 800 points | 0 | - | 0 | - | - |
| ALL ROUTES VIEW: |  |  |  |  |  |  |  |  |  |

OPERATOR OPTIONAL SWITCH SETTINGS

The option switches are located on the CPU Board. The option switches and audio control can be reached through the back of the machine.

The following table will assist your adjustments:

OPTIONAL SWITCH SETTINGS

Switch 1 controls the number of cars allotted each player per game. The switch settings should be as follows:

| <u>SWITCH 1:</u> | <u>NUMBER OF CARS:</u> |
|------------------|------------------------|
| OFF | 3 |
| ON | 5 |

Switches 2 and 3 are not used.

Switches 4 and 5 control the game fees. These settings can be set for one coin (25¢) or two coins (50¢) per play as follows:

| <u>SWITCH 4:</u> | <u>SWITCH 5:</u> | <u>COIN SETTING:</u> |
|------------------|------------------|---------------------------|
| OFF | OFF | One Coin (25¢) - One Play |
| ON | OFF | Two Coins(50¢) - One Play |

Switch 6 is a preset factory adjustment, and should remain in the "ON" position for the video upright game.

Switch 7 is preset at the factory, and should be set in the "ON" position for the monitor picture adjustment.

Switch 8 allows the operator to regulate the availability of music in the attract mode. The following settings regulate this function:

| <u>SWITCH 8:</u> | <u>ATTRACT MODE MUSIC:</u> |
|------------------|----------------------------|
| ON | Music Available |
| OFF | Music Not Available |

ROUTINE MAINTENANCE & SERVICE

Because of the solid state electronic circuitry, this machine should require very little maintenance and only occasional adjustments. However, it is necessary to take measures to insure this.

The volume control is located on the bottom side of the printed circuit board farthest from the side of the cabinet, and can be accessed through the rear door.

The video monitor has been properly adjusted before shipping. Occasionally minor adjustments are necessary, see monitor specifications and schematics for technical information. Adjustment controls for the monitor are located at the rear of the monitor.

This machine should be serviced only by a qualified technician.

Do not make any adjustments on this machine while the power is on.

For service information, contact:

CENTURI, INC.

Customer Service Department

#800-327-7710 (Outside the state of Florida)

#305-556-5888 (In Florida)

POWER SUPPLY

The Computer Board in this game operates most efficiently and reliably when the power supply is set so that the voltage on the board is 5.0 Volts, ± 0.1 Volts. To check this, place a meter across 5 Volts and ground at the edge connector. If necessary, adjust the screwdriver control on the power supply so that the meter reads between 4.9 and 5.1 Volts.

PARTS LIST

| <u>NO.</u> | <u>PART NUMBER:</u> | <u>DESCRIPTION:</u> | <u>USAGE:</u> |
|------------|---------------------|---|---------------|
| 1 | 50010306 | MB8841 | 1 |
| 2 | 50010264LS | 74LS368 | 3 |
| 3 | 50010105LS | 74LS32 | 1 |
| 4 | 50010139LS | 74LS175 | 1 |
| 5 | 50040002 | .1 mfd, 50 Volt Ceramic Disc Cap. | 3 |
| 6 | 50040141 | .001mfd, 50 V., Ceramic Disc Cap. | 1 |
| 7 | 50040170 | 220PF, 50 V., Ceramic Disc Cap. | 1 |
| 8 | 50060178 | 4.7mfd, 10 V. Tantalum Capacitor | 1 |
| 9 | 50100014 | 1N914 Diode | 1 |
| 10 | 50030063 | 10K, 1/4 W., 5% Resistor | 1 |
| 11 | 50030147 | 6.8K Ohm, 1/4 W., 5% Resistor | 1 |
| 12 | 50030006 | 4.7K Ohm, 1/4 W., 5% Resistor | 1 |
| 13 | 50210222 | Printed Circuit Board | 1 |
| 14 | 50150297 | Square Pin Straight Wafer, (Molex #22-03-2121) | 2 |

PARTS LIST

| <u>NO.</u> | <u>PART NUMBER:</u> | <u>DESCRIPTION:</u> | <u>USAGE:</u> |
|------------|---------------------|--------------------------------------|---------------|
| 1 | 50010233 | TMS 4116 I.C. | 16 |
| 2 | 50010028LS | 74LS153 I.C. | 8 |
| 3 | 50010019LS | 74LS74 I.C. | 5 |
| 4 | 50010045LS | 74LS157 I.C. | 9 |
| 5 | 50010096LS | 74LS08 I.C. | 2 |
| 6 | 50010002LS | 74LS00 I.C. | 7 |
| 7 | 50010025LS | 74LS95 I.C. | 4 |
| 8 | 50010007LS | 74LS10 I.C. | 4 |
| 9 | 50010005LS | 74LS04 I.C. | 7 |
| 10 | 50010008LS | 74LS20 I.C. | 1 |
| 11 | 50010022LS | 74LS86 I.C. | 4 |
| 12 | 50010264LS | 74LS368 I.C. | 10 |
| 13 | 50010012LS | 74LS30 I.C. | 1 |
| 14 | 50010204LS | 74LS393 I.C. | 2 |
| 15 | 50010139LS | 74LS175 I.C. | 1 |
| 16 | 50010014LS | 74LS42 I.C. | 3 |
| 17 | 50010105LS | 74LS32 I.C. | 6 |
| 18 | 50010242 | 2114 (MPD 2114 - LC-3) | 2 |
| 19 | 50010195LS | 74LS367 | 10 |
| 20 | 50010305 | MB7052 | 2 |
| 21 | 50010030LS | 74LS174 | 3 |
| 22 | 50010004LS | 74LS02 | 1 |
| 23 | 50010171 | 2716 | 10 |
| 24 | 50010187 | Z-80 C.P.U. | 2 |
| 25 | 50010307 | 7946 (Sound Chip AY-3-8910) | 1 |
| 26 | 50130034 | 8-Position DIP Switch | 1 |
| 27 | 50040002 | .1mfd, 50 Volt, Ceramic Disc Cap. | 20 |
| 28 | 50040066 | 470PF, 50 V., Ceramic Disc Cap | 3 |
| 29 | 50040005 | 0.01mfd, 50 V., Ceramic Disc Cap. | 1 |
| 30 | 50040168 | 30PF, 50 V., Ceramic Disc Cap. | 1 |
| 31 | 50040141 | 0.001mfd, 50 V. Ceramic Disc Cap. | 1 |
| 32 | 50030095 | 330 Ohm, 1/4 W., 5% Resistor | 2 |
| 33 | 50030063 | 10K Ohm, 1/4 W., 5% Resistor | 3 |
| 34 | 50030150 | 47K Ohm, 1/4 W., 5% Resistor | 1 |
| 35 | 50040125 | 220 Ohm 1/4 W., 5% Resistor | 2 |
| 36 | 50030310 | 560 Ohm, 1/4 W., 5% Resistor | 1 |
| 37 | 50030091 | 56K Ohm, 1/4W., 5% Resistor | 1 |
| 38 | 50030185 | 1.8K Ohm, 1/4 W., 5% Resistor | 1 |
| 39 | 50030051 | 1K Ohm, 1/4 W., 5% Resistor | 2 |
| 40 | 50030007 | 100K Ohm, 1/4 W., 5% Resistor | 1 |
| 41 | 50360010 | 2.2K Ohm, 1/4 W., 9-Pin SIP Resistor | 3 |
| 42 | 50070016 | 10MH _z Crystal | 1 |
| 43 | 50020065 | TIP 120 NPN Darlington Transistor | 1 |
| 44 | 50060176 | 0.47mfd, 16 V., Tantalum Cap. | 1 |
| 45 | 50060177 | 100mfd, 16V., Radial Lytic Cap. | 3 |
| 46 | 50060156 | 10mfd, 16V., Radial Lytic Cap. | 1 |
| 47 | 50060139 | 47mfd, 16V., Radial Lytic Cap. | 1 |

PARTS LIST

| <u>NO.</u> | <u>PART NUMBER:</u> | <u>DESCRIPTION:</u> | <u>USAGE:</u> |
|------------|---------------------|--------------------------------|---------------|
| 48 | 50040169 | .1mfd, 50 V. Mylar Capacitor | 1 |
| 49 | 50150111 | 16-Pin I.C. Socket | 4 |
| 50 | 50150061 | 24-Pin I.C. Socket | 11 |
| 51 | 50150112 | 18-Pin I.C. Socket | 2 |
| 52 | 50150060 | 40-Pin I.C. Socket | 2 |
| 53 | 50010271 | MB3713 Audio Amplifier | 1 |
| 54 | 50100014 | 1N914 | 1 |
| 55 | 50080034 | 100K Potentiometer, CTS 375 V. | 1 |
| 56 | 50210223 | P.C.B. Route 16, C.P.U.-Logic | 1 |
| 57 | 50175506 | Jumper, 22GA, insulated Wire | 36" |

POWER SUPPLY

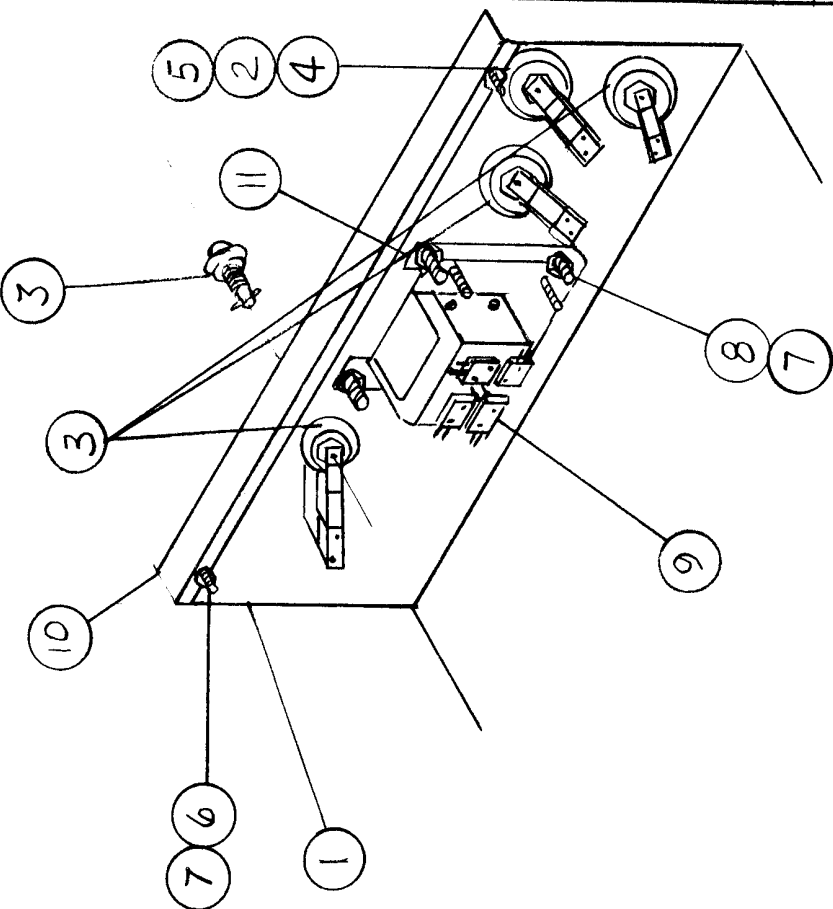
#50350001

PARTS LIST

| <u>SYMBOL:</u> | <u>DESCRIPTION:</u> | <u>USAGE:</u> |
|----------------|--|---------------|
| T1 | Transformer, Single Phase, 24 VA | 1 |
| L1 | Coil, 1.6 mH, 1.5A | 1 |
| L2, L4 | Coil, SF-T8-50S-03 | 2 |
| L3 | Coil, SF-HP-2A-03 | 1 |
| D1 | Diode, V19G | 1 |
| D2 | Diode, V06C | 1 |
| D3, D6 | Diode, 1S1588 | 2 |
| D4 | Diode, S15S3 | 1 |
| D5, D7 | Diode, 5CH1M | 2 |
| D12, D13 | Diode, F113B | 2 |
| D14 | Diode, F113B | 1 |
| RF1 | Diode, S4VB40 (Bridge Type) | 1 |
| Q1 | Transistor, 2SC2504 | 1 |
| Q2 | Transistor, 2SD467 (B) | 1 |
| Q3 | Transistor, 2SC460 (B) | 1 |
| Q4 | Transistor, 2SA673 (B) | 1 |
| IC1 | Integrated Circuit, RM723DC or HA17723G-02 | 1 |
| PC1 | Photo Coupler, PS2001 | 1 |
| R1 | Resistor, 2 Watt, 18 Ohm | 1 |
| R8, R9 | Resistor, 2 Watt, 47K Ohm | 2 |
| R3, 1-4 | Resistor, 2 Watt, 15 Ohm | 4 |
| R4 | Resistor, 1 Watt, 56 Ohm | 1 |
| R12 | Resistor, 1 Watt, 100 Ohm | 1 |
| R28 | Resistor, 1 Watt, 470 Ohm | 1 |
| R7 | Resistor, 1 Watt, 0.56 Ohm | 1 |
| R26 | Resistor, 1 Watt, 0.82 Ohm | 1 |
| R23 | Resistor, 1/4 Watt, 22 Ohm | 1 |
| R10 | Resistor, 1/4 Watt, 33 Ohm | 1 |
| R27 | Resistor, 1/4 Watt, 68 Ohm | 1 |
| R2 | Resistor, 1/4 Watt, 330 - 470 Ohm | 1 |
| R22 | Resistor, 1/4 Watt, 220 Ohm | 1 |
| R21 | Resistor, 1/4 Watt, 270 Ohm | 1 |
| R6 | Resistor, 1/4 Watt, 330 Ohm | 1 |
| R11 | Resistor, 1/4 Watt, 68 Ohm | 1 |
| R20 | Resistor, 1/4 Watt, 470 Ohm | 1 |
| R17 | Resistor, 1/4 Watt, 680 Ohm | 1 |
| R19 | Resistor, 1/4 Watt, 800 Ohm | 1 |
| R18 | Resistor, 1/4 Watt, 1.2K Ohm | 1 |
| R5 | Resistor, 1/4 Watt, 10K Ohm | 1 |
| R16 | Resistor, 1/4 Watt, 220K Ohm | 1 |
| R29 | Resistor, 3 Watt, 27 Ohm | 1 |
| R39 | Resistor, 1/4 Watt, 4.7K Ohm | 1 |
| R38 | Resistor, 1/4 Watt, 5.6K Ohm | 1 |
| R24 | Resistor, 1/4 Watt, 330 Ohm | 1 |
| R25 | Resistor, 1/4 Watt, 150 Ohm | 1 |
| RV1 | Variable Resistor, RJ-6P501 | 1 |

PARTS LIST

| <u>SYMBOL:</u> | <u>DESCRIPTION:</u> | <u>USAGE:</u> |
|----------------|------------------------|---------------|
| C1, C2 | Capacitor, ECK-DAL102E | 2 |
| C3-1,-2 | Capacitor, 160VSN100 | 2 |
| C9, C10 | Capacitor, SM10VB-2200 | 2 |
| C11, C23 | Capacitor, SM10VB-2200 | 2 |
| C12,C13,C15 | Capacitor, SL25VB-10 | 3 |
| C27 | Capacitor, SL25VB-10 | 1 |
| C18,C19,C20 | Capacitor, SM35VB-1000 | 3 |
| C26 | Capacitor, SM35VB-1000 | 1 |
| C21,C22,C25 | Capacitor, SM16VB-1000 | 3 |
| C5 | Capacitor, DMY21H472K | 1 |
| C6 | Capacitor, DMY21H104K | 1 |
| C14,C16 | Capacitor, DMY21H222K | 2 |
| C4 | Capacitor, CM20XC511K5 | 1 |
| C8 | Capacitor, MDD22G473K | 1 |
| C5-2 | Capacitor, DMY21H222K | 1 |
| 1, F2 | Enclosed Type Fuse, 3A | 2 |



| ITEM | QTY | PART NO | DESCRIPTION |
|------|-----|-------------|--|
| 11 | 2 | 366-03-0500 | JOYSTICK MOUNTING BRKT |
| 10 | 1 | 361-03-0600 | DECK & GLASS ANGLE BRKT |
| 9 | 1 | 50130058 | JOYSTICK (4 POSITION) TAITO |
| 8 | 4 | 10111006 | #10-24x ³ / ₄ CARR. BOLT, BLK D. |
| 7 | 6 | 10150007 | KEPS NUT #10-24 |
| 6 | 2 | 10111004 | #10-24x ¹ / ₂ CARR. BOLT, BLK D. |
| 5 | 4 | 50130050 | PAL NUT |
| 4 | 1 | 50130049 | RED BUTTON ASSY |
| 3 | 3 | 50130048 | WHITE BUTTON ASSY |
| 2 | 4 | 50130047 | SWITCH & BRKT |
| 1 | 1 | 366-01-0500 | CONTROL PANEL & OVERLAY ASSY |
| | | | BILL OF MATERIAL |

| QC. APV'D | PROD. APV'D | QTY. | ASSEMBLY NO. |
|-----------|-------------|------|--------------|
| | | | |

| | | |
|---------------------|-------------------|------------------------|
| centuri inc. | | HIALEAH, FLORIDA 33014 |
| NAME | CONTROL DECK ASSY | |
| MAT'L'S. | HEAT TREAT. | FINISH |
| DWN. APP'D. | DATE | SCALE |
| AAN | 4-6-81 | 1 |
| | | REV. PART NO. |
| | | 366-01-0800 |

| TOLERANCES | | | |
|----------------------------|---------|----------|----|
| Unless Otherwise Specified | | | |
| FRACTIONS | ± 1/32 | | |
| DECIMALS 2 PL | ± .015 | | |
| DECIMALS 3 PL | ± .005 | | |
| HOLES | + .003 | | |
| ANGLES | - .001 | | |
| SHT. MET BENDS | ± 1/2° | | |
| | ± 2° | | |
| REV. LET. | ECN NO. | REVISION | BY |

2800 SERIES COIN DOOR EXPLODED VIEW
25¢ U.S. COIN

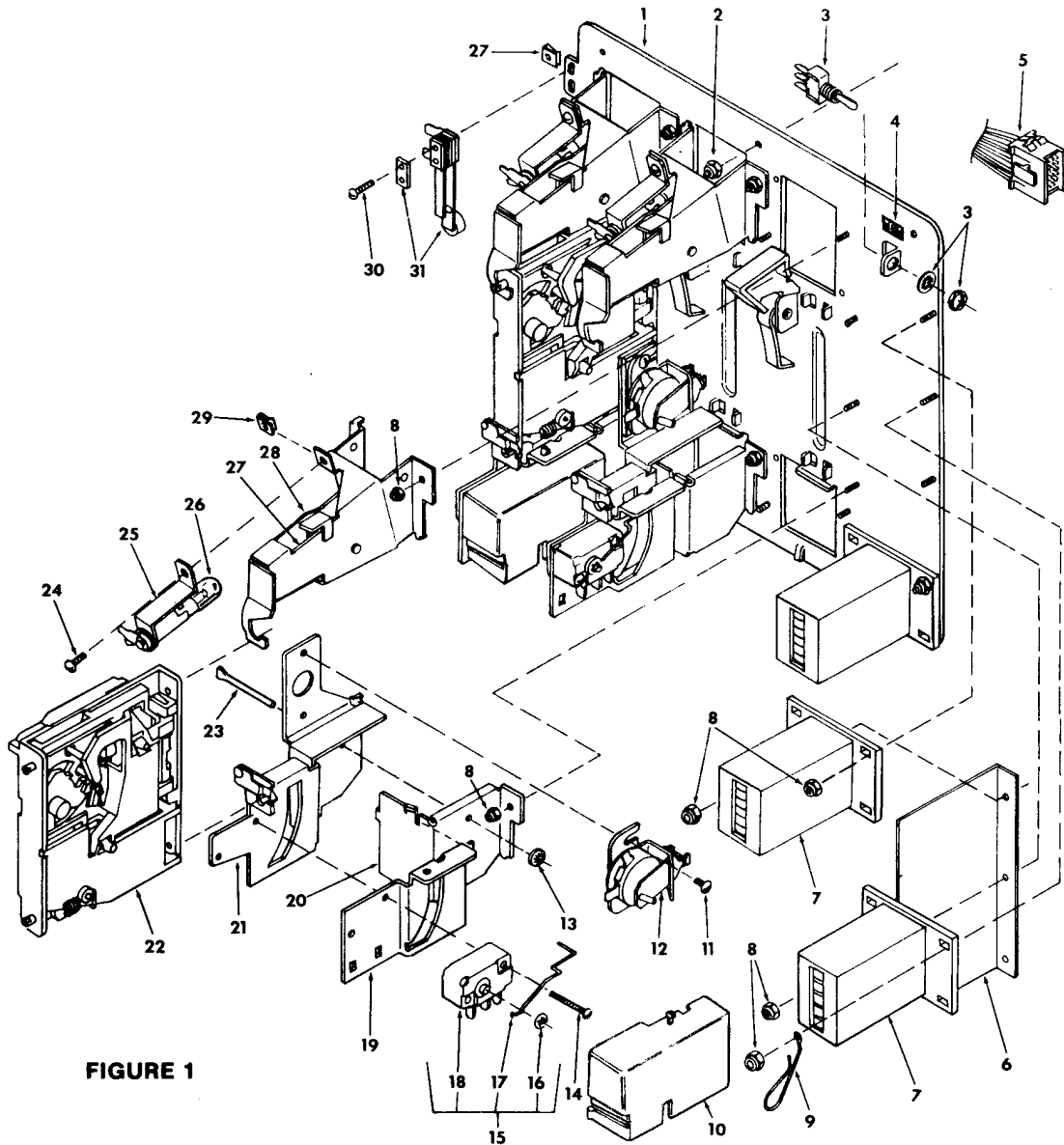


FIGURE 1

| Index No. | Part No. | Description | Index No. | Part No. | Description |
|------------------|-----------------|--|------------------|-----------------|---|
| 1 | 404429 | Inner Panel With Levers Sub-Assembly | 17 | 904710-1 | Silver Switch Wire — for U.S. 25¢ Coin |
| 2 | 400-8 | Nut | 18 | 904845 | Switch |
| 3 | 904782 | Toggle Switch | 19 | 904701 | Coin Chute |
| 4 | 904706 | Test Switch Decal | 20 | 904598 | Coin Return Box |
| 5 | | Custom Harness Assembly | 21 | 404428 | Switch and C.R.E.M. Coil Bracket Assembly |
| 6 | 904822 | Insulation | 22 | 5301-10 | 25¢ Acceptor |
| 7 | 404352 | Coin Counter Assembly (6 Volt D.C.) | 23 | 905115 | Bar |
| 8 | 400-4 | Nut | 24 | 110-4-6 | Screw |
| 9 | 904722 | Wire Key Holder | 25 | 904717 | Miniature Bayonet-Base Lamp Socket |
| 10 | 904762 | Switch Cover | 26 | 904716 | #47 Lamp (6.3 Volt) |
| 11 | 100-6-3 | Screw | 27 | 404418 | Coin Inlet Chute Sub-Assembly |
| 12 | 404354 | C.R.E.M. Coil Assembly, 12 Volts D.C. | 28 | 904594 | Right Half of Coin Inlet Chute |
| 13 | 904936 | Keeper | 29 | 904712 | "U"-Type Fastener |
| 14 | 100-4-12 | Screw | 30 | 116-4-8 | Screw |
| 15 | 404353 | Coin Switch Assembly for U.S. 25¢ Coin | 31 | 904704 | Slam Switch Assembly |
| 16 | 900651 | Retainer | | | |

2800 SERIES COIN DOOR EXPLODED VIEW
25¢ U.S. COIN

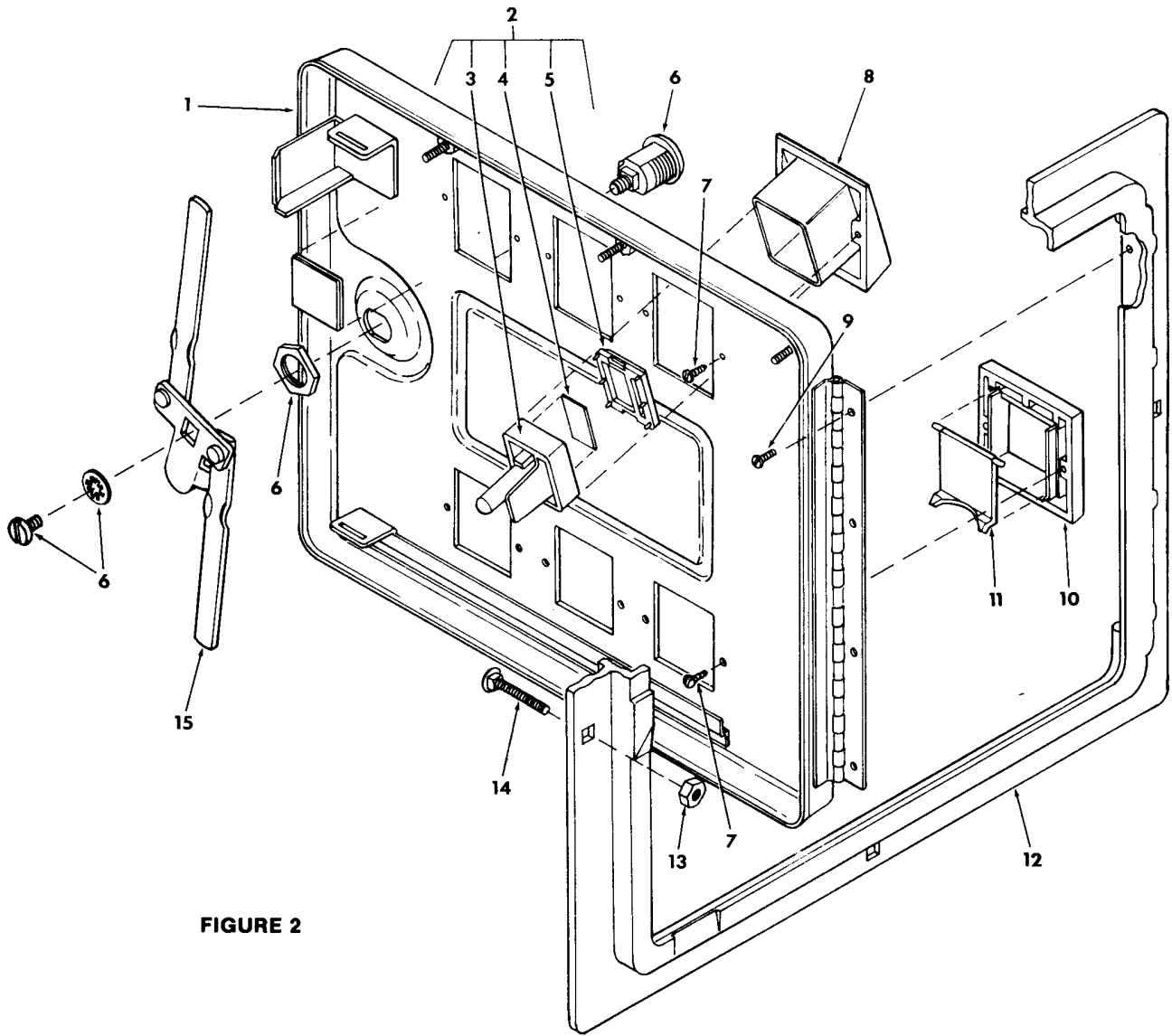
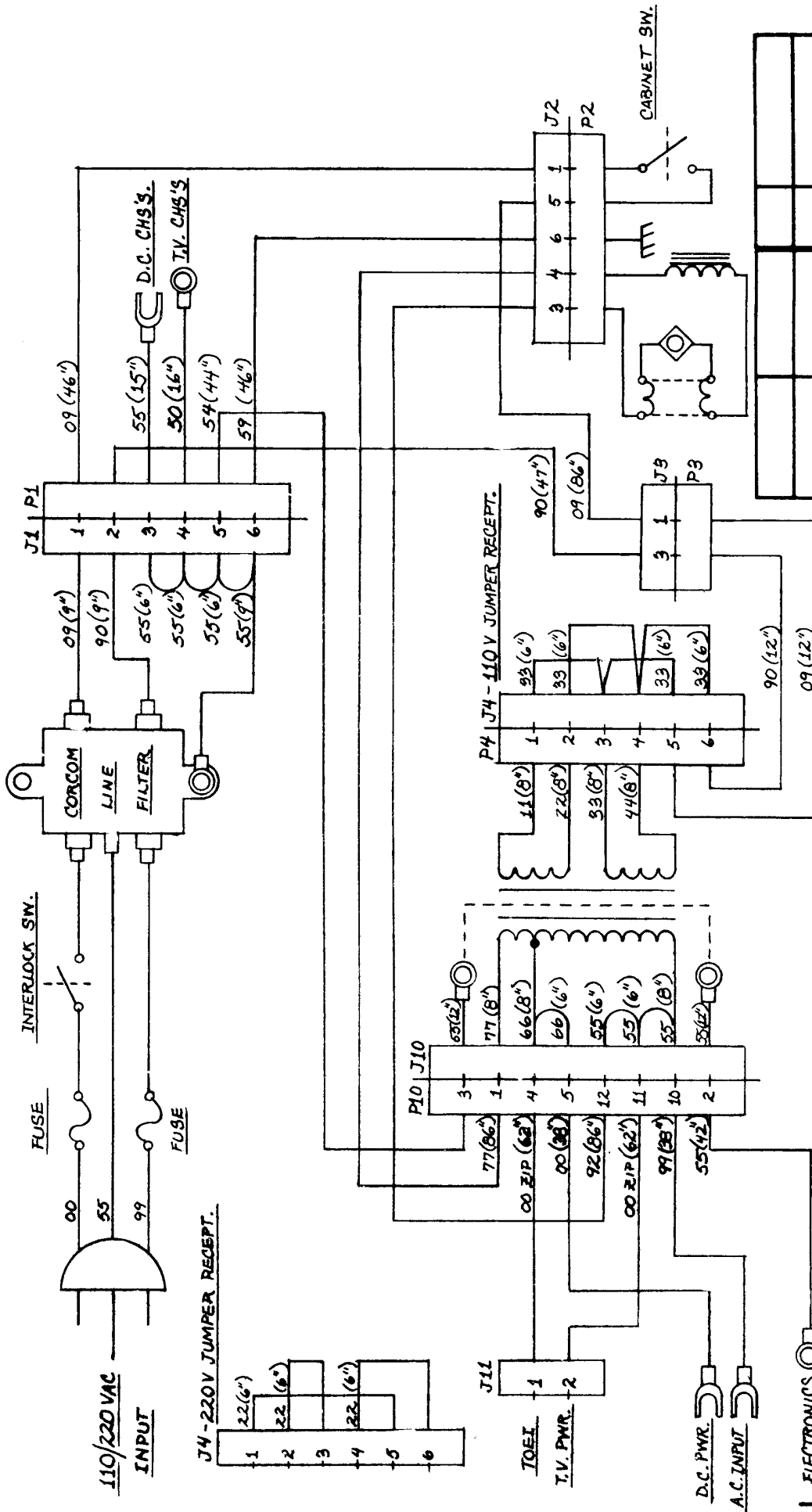
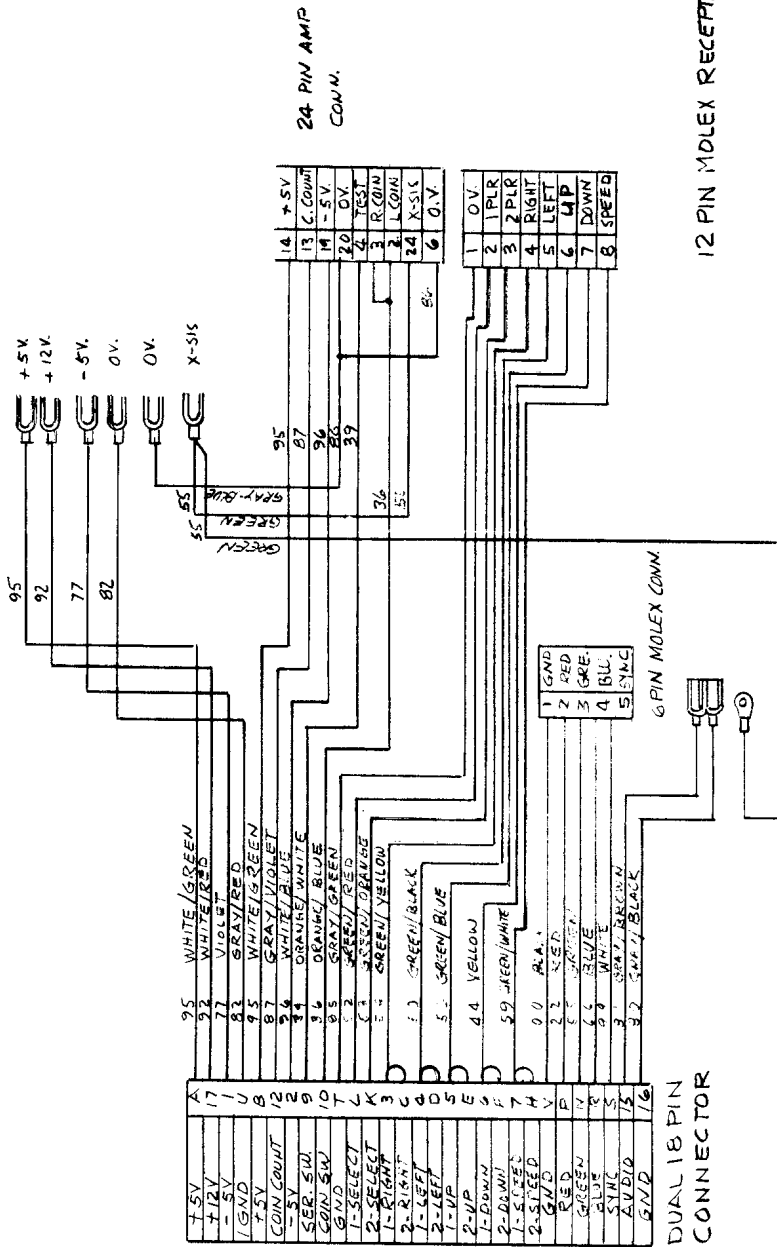


FIGURE 2

| Index No. | Part No. | Description | Index No. | Part No. | Description |
|------------------|-----------------|---|------------------|-----------------|---|
| 1 | 404341 | Coin Door Only (2 Coin) | 7 | 345-4-5 | Screw |
| | 404341-1 | Coin Door Only (3 Coin) | 8 | 904588 | Coin Button Housing |
| 2 | 404348-1 | Coin Return Button Assembly for U.S. 25¢ Coin | 9 | 325-4-4 | Screw |
| 3 | 904591 | Coin Return Button | 10 | 904590 | Coin Return Bezel |
| 4 | 904703 | U.S. 25¢ Price Decal | 11 | 904599 | Coin Return Cover |
| 5 | 904589-2 | Coin Return Button Cover for U.S. 25¢ Coin | 12 | 904581 | Coin Door Frame, 11-5/8" x 13-3/8" Mounts in a 10-3/8" x 12-3/16" Opening |
| 6 | 904707-1 | Lock Assembly | 13 | 406-416 | Hex Nut |
| | | | 14 | 904734 | Carriage Bolt |
| | | | 15 | 404357 | Locking Arm Assembly |



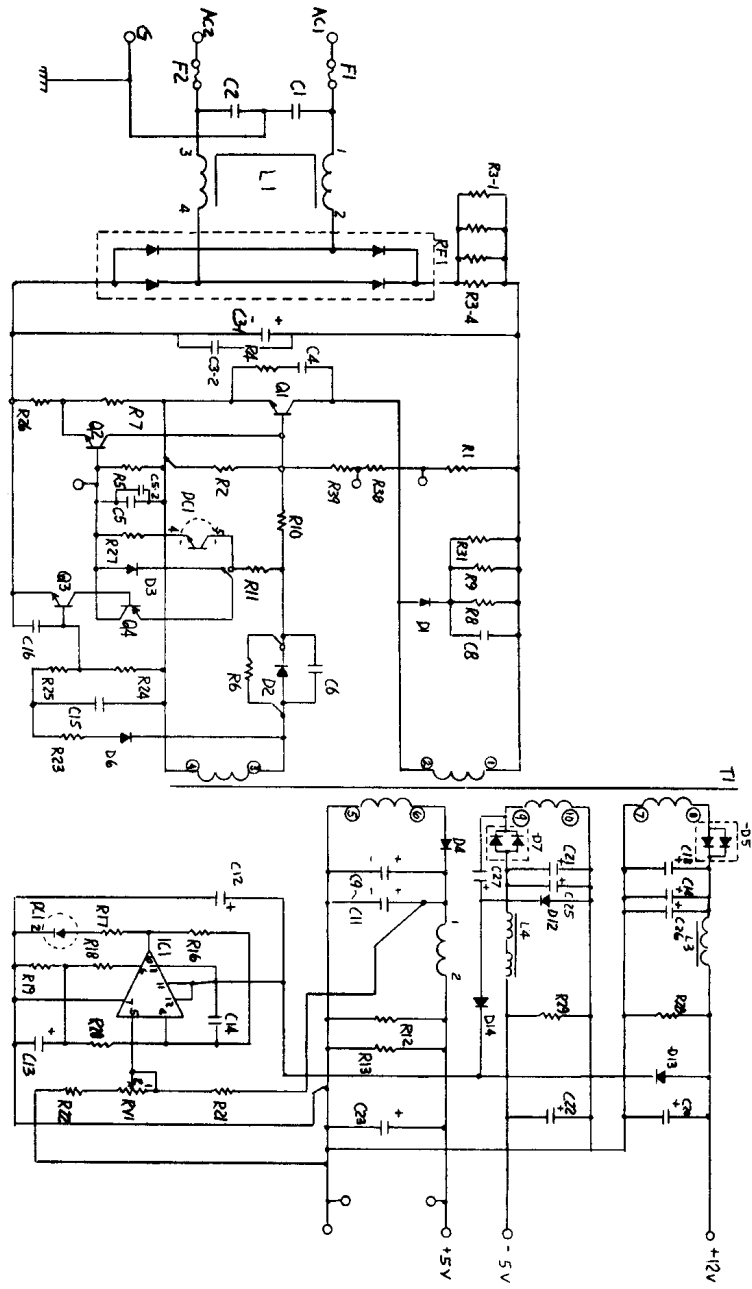
| | | | |
|----------------------------|--------|---|--------------|
| ELECTRONICS CHASSIS | | CENTURY, INC. HIALEAH, FLORIDA 33014 | |
| REV. LET. | BY | DATE | SCALE |
| 100 | N | 1-14-81 | 36.1-10-0900 |
| REVISION | | HEAT TREAT. | FINISH |
| TOLERANCES | | PART NO. | |
| Unless Otherwise Specified | | 36.1-10-0900 | |
| FRACTIONS | ± 1/32 | REV. | |
| DECIMALS 2 PL | ± .015 | 1 | |
| DECIMALS 3 PL | ± .005 | ASSEMBLY ON | |
| HOLES | ± .001 | QTY. | |
| ANGLES | ± 1/2° | PROD. APVD | |
| SHT. MET BENDS | ± 2° | QC. APVD | |
| BY | | ASSEMBLY ON | |
| 17 | | 19" : 110/220V POWER INTERCONNECT DIAG. | |



24 PIN AMP
CONN.

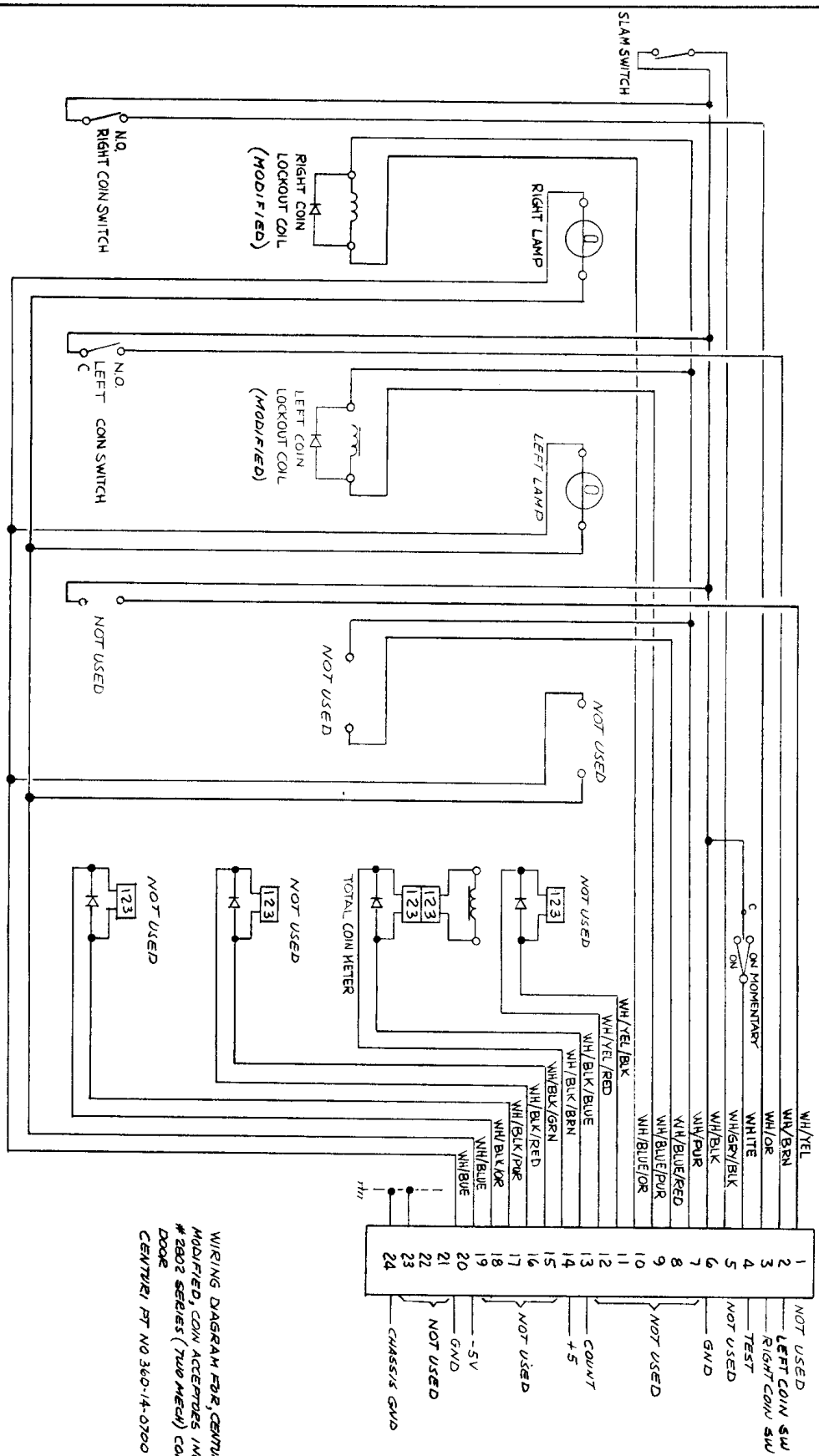
12 PIN MOLEX RECEPTACLE

| | | | |
|-----------------------------|------------|----------|--------------|
| REV. LET. | ECN NO. | REVISION | BY |
| | | | |
| TOLERANCES | | | |
| Unless Otherwise Specified | | | |
| FRACTIONS | ± 1/32 | | |
| DECIMALS 2 PL | ± .015 | | |
| DECIMALS 3 PL | ± .005 | | |
| HOLES | ± .003 | | |
| ANGLES | ± .001 | | |
| SHT. MET BENDS | ± 1/2° | | |
| AP'D | DATE | SCALE | PART NO. |
| AAN | 3-27-81 | Æ | 366-12-0100 |
| centur inc. | | | |
| HIALEAH, FLORIDA 33014 | | | |
| NAME CPU HARNESS - ROUTE 16 | | | |
| MATT'S. HEAT TREAT. FINISH | | | |
| OC. APVD | PROD. APVD | QTY. | ASSEMBLY NO. |
| | | | |



| REV. LETTER | | ITEM NO. | | ECN NO. | | DESCRIPTION | | DISPOSITION OF PARTS | | ENGR'G APP'D | |
|-------------|--------|----------|------|---------|-----|-------------|-----|----------------------|-----|--------------|-----|
| REV. | LETTER | NO. | REV. | NO. | NO. | NO. | NO. | NO. | NO. | NO. | NO. |
| | | | | | | | | | | | |

| | | | | | | | | | | | |
|---|------|-------|----------|------|--|--|--|--|--|--|--|
| CENTURI, INC. | | | | | | | | | | | |
| 1780 W. 4TH AVENUE HIALEAH, FLORIDA 33010 | | | | | | | | | | | |
| TITLE: POWER SUPPLY SCHEMATIC | | | | | | | | | | | |
| OWN | DATE | SCALE | DWG. NO. | REV. | | | | | | | |
| | | | | | | | | | | | |
| NEXT ASSEMBLY | | | | | | | | | | | |
| TOLERANCES UNLESS OTHERWISE SPECIFIED | | | | | | | | | | | |
| FRACTIONS | ± | 1/32 | | | | | | | | | |
| DECIMALS | ± | .03 | | | | | | | | | |
| DECIMALS | ± | .010 | | | | | | | | | |
| HOLES | ± | .000 | | | | | | | | | |
| ANGLES | ± | 1/2° | | | | | | | | | |



WIRING DIAGRAM FOR CENTURI
 MODIFIED, COIN ACCEPTORS INC.,
 #2802 SERIES (7200 MECH) COIN
 DOOR
 CENTURI P/N NO 360-14-0700

| REVOLUTIONS | | DISPOSITION OF EXISTING PARTS | ENGR'G APP'D |
|-------------|----------|-------------------------------|--------------|
| REV LETTER | ITEM NO. | RE: WORK | SCRAP |
| | | | |

| | | | |
|---------------------------------------|---------|---|---------------|
| TOLERANCES UNLESS OTHERWISE SPECIFIED | | CENTURI, INC. | |
| FRACTIONS | ± 1/32 | 1780 W. 4th AVENUE HIALEAH, FLORIDA 33010 | |
| DECIMALS | ± 0.3 | TITLE: COIN DOOR WIRING DIAGRAM | |
| HOLE SIZES | ± 0.010 | APP'D: <i>[Signature]</i> | DATE: 1-22-81 |
| ANGLES | ± 1/2° | DWG NO: 360-62-1000 | REV: |
| NEXT ASSEMBLY | | | |

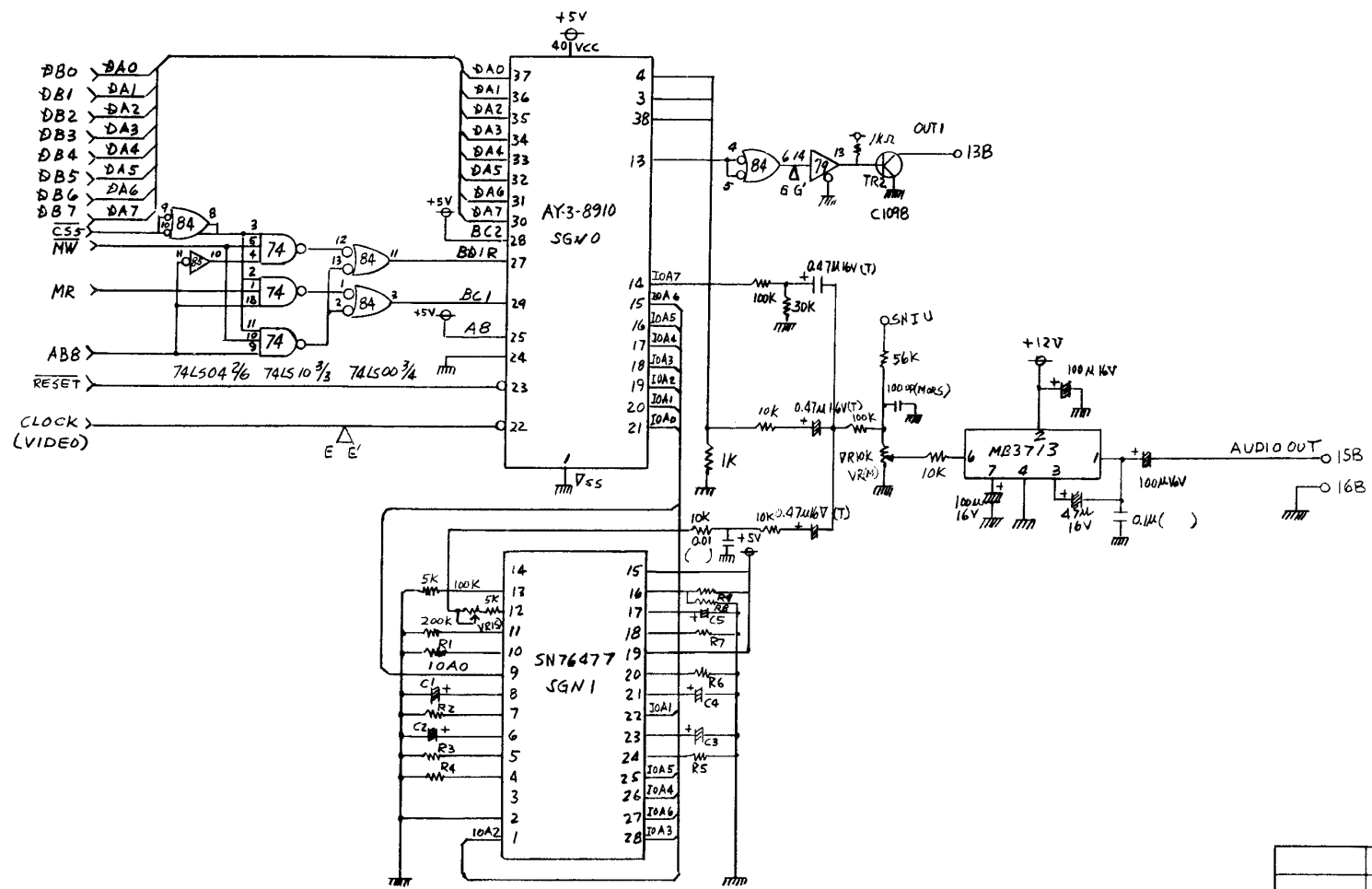
AY-3-8912 1
SN76477 1

74CS10 1
74CS00 1
MB37/3 1

R 100K 1/2W 1
1K " 1(2)
5K " 1
10K " 3
47K " 1
230K " 1
30K " 1

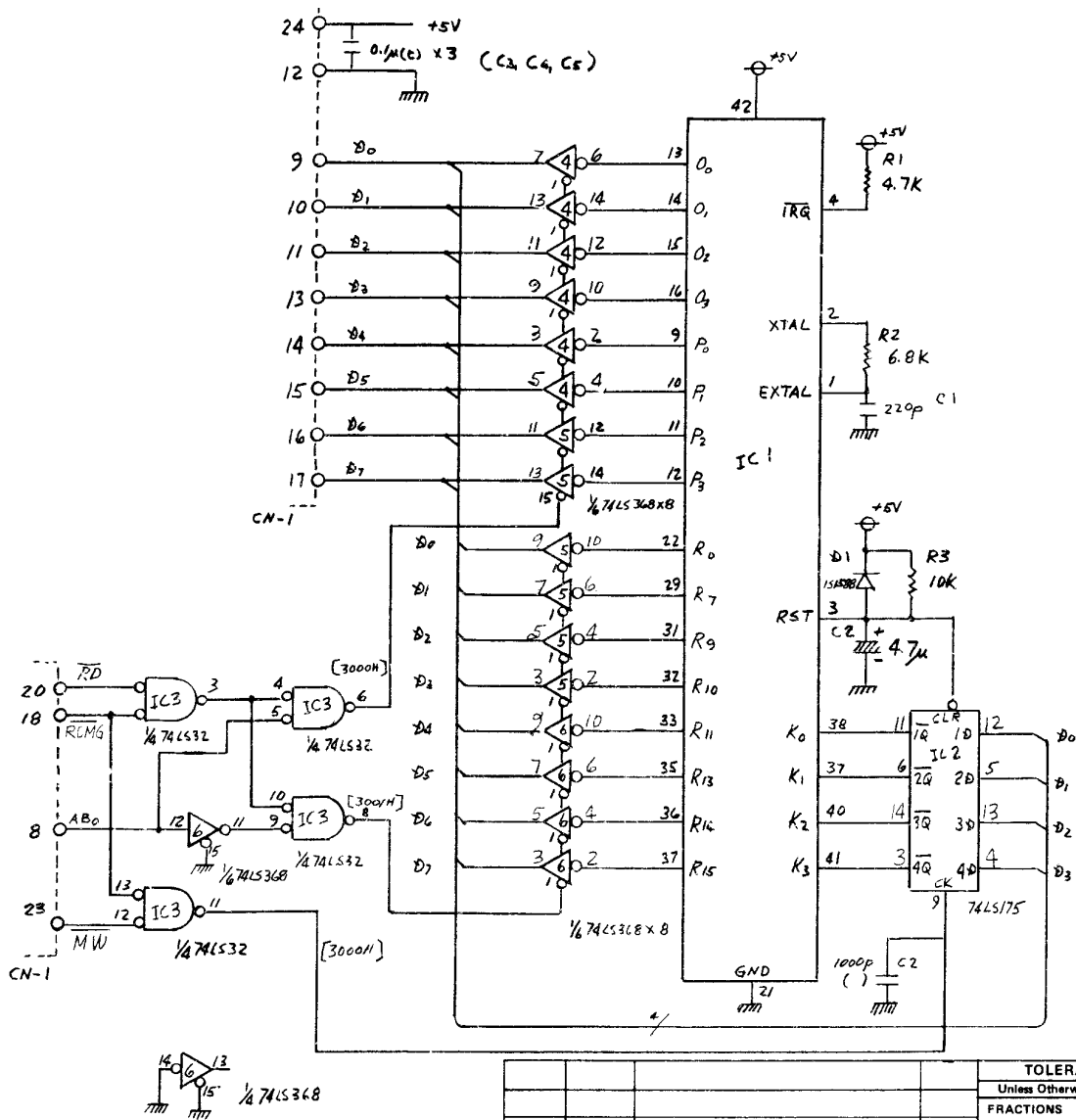
10K TRIMMER POT 2
R1-R9
(NOT SPECIFIED)
C 10.47M 16V TANTALUM CAP. 3
47M 16V 1
100M 16V 3
C1-C5 MYLAR CAP
(NOT SPECIFIED)
C1098 1
1000P MYLAR CAPACITOR 1

S/D R C1-C5, R1-R9
C1 10M(10-50V E)
C2 1000P(M)
C3 22M(10-50V E)
C4 10M(10-50V E)
C5 0.022M(M)
E: CHEMICAL CONDENSOR
M: MYLAR CAP.
R1 4.7K
R2 3.3M
R3 200K
R4 47K
R5 4.7K
R6 75K
R7 100K
R8 2K
R9 10K
NOTE: AY-3-8910 BETWEEN PINS VSS-KC
0.1MFD CERAMIC CAP 5/8" IN STALLED.



| QC. APV'D | PROD. APV'D | QTY. | ASSEMBLY NO |
|-----------|-------------|------|-------------|
| | | | |

| TOLERANCES | | | | centuri | | | | HIALEAH, FLORIDA 33014 | | | |
|----------------------------|--|--|--|-----------|--|--|--|----------------------------------|--|--|--|
| Unless Otherwise Specified | | | | NAME | | | | SOUND BOARD SCHEMATIC - ROUTE 16 | | | |
| FRACTIONS ± 1/32 | | | | MATERIALS | | | | HEAT TREAT. | | | |
| DECIMALS 2 PL ± .015 | | | | DATE | | | | FINISH | | | |
| DECIMALS 3 PL ± .005 | | | | 3-27-81 | | | | SCALE | | | |
| HOLES + .003 | | | | APP'D. | | | | PART NO. | | | |
| - .001 | | | | AAN | | | | 366-10-0400 | | | |
| ANGLES ± 1/2° | | | | REV. | | | | REV. | | | |
| SHT. MET BENDS ± 2° | | | | | | | | | | | |



| PART NO | NAME | QTY |
|---------|--|-----|
| IC 1 | 42 PIN | 1 |
| IC 2 | 74LS175 | 1 |
| IC 3 | 74LS32 | 1 |
| IC 4-6 | 74LS36 | 3 |
| R 1 | 47K Ω | 1 |
| R 2 | 7K Ω | 1 |
| R 3 | 10K Ω | 1 |
| C 1 | 220P(C) CERAMIC | 1 |
| C 2 | 4.7 MFD TANTALUM OR CHEMICAL CAP. 15V50V | 1 |
| D 1 | | 1 |
| CN-1 | 3032-12 | 2 |

| QC. APV'D | PROD. APV'D | QTY. | ASSEMBLY NO |
|-----------|-------------|------|-------------|
| | | | |

| REV. LET. | ECN NO. | REVISION | BY |
|-----------|---------|----------|----|
| | | | |

| TOLERANCES | |
|----------------------------|--------|
| Unless Otherwise Specified | |
| FRACTIONS | ± 1/32 |
| DECIMALS 2 PL | ± .015 |
| DECIMALS 3 PL | ± .006 |
| HOLES | + .003 |
| ANGLES | - .001 |
| SHT. MET BENDS | ± 1/2° |

centur HIALEAH, FLORIDA 33014

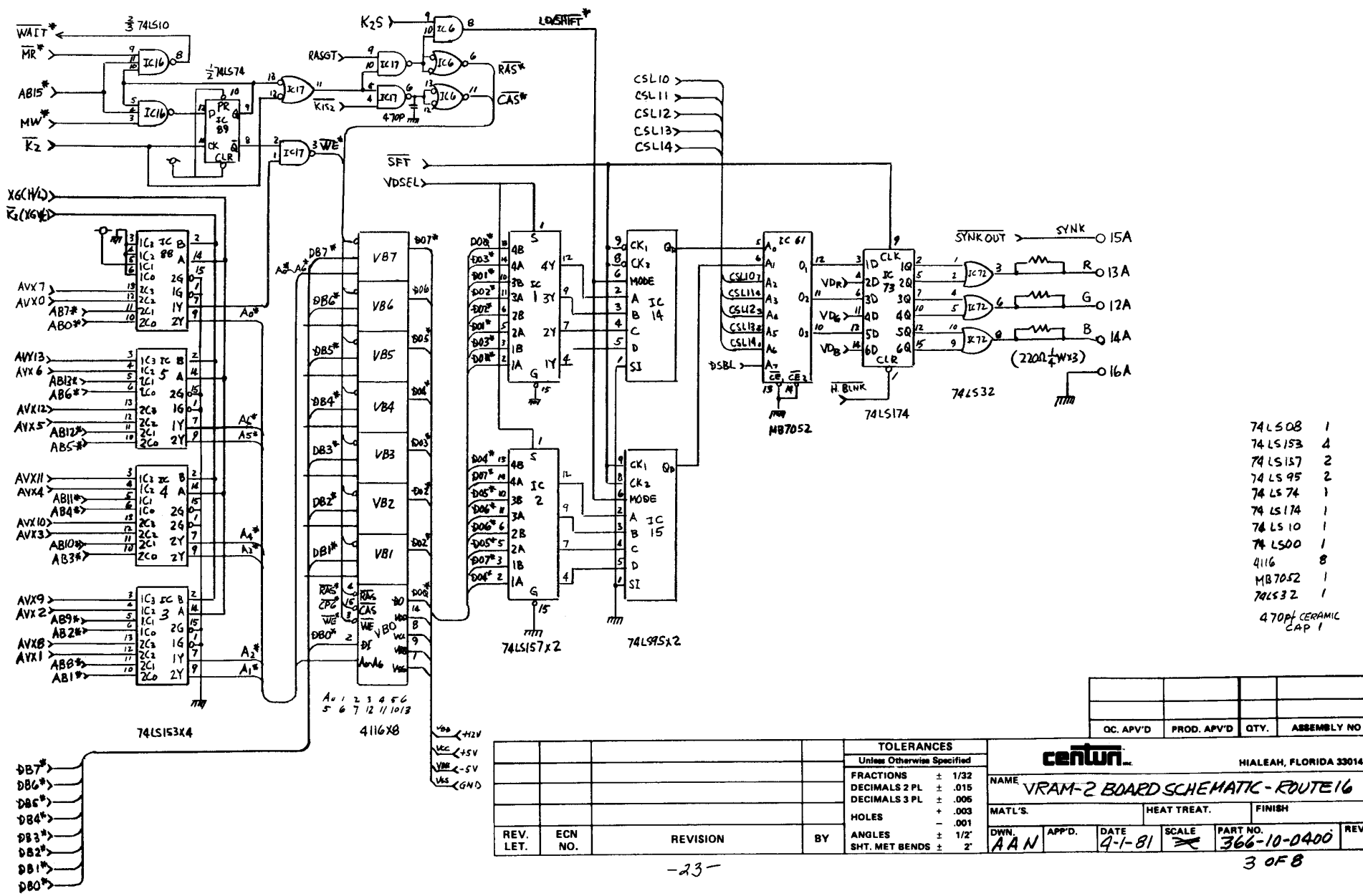
NAME: **S1 BOARD SCHEMATIC-ROUTE 16**

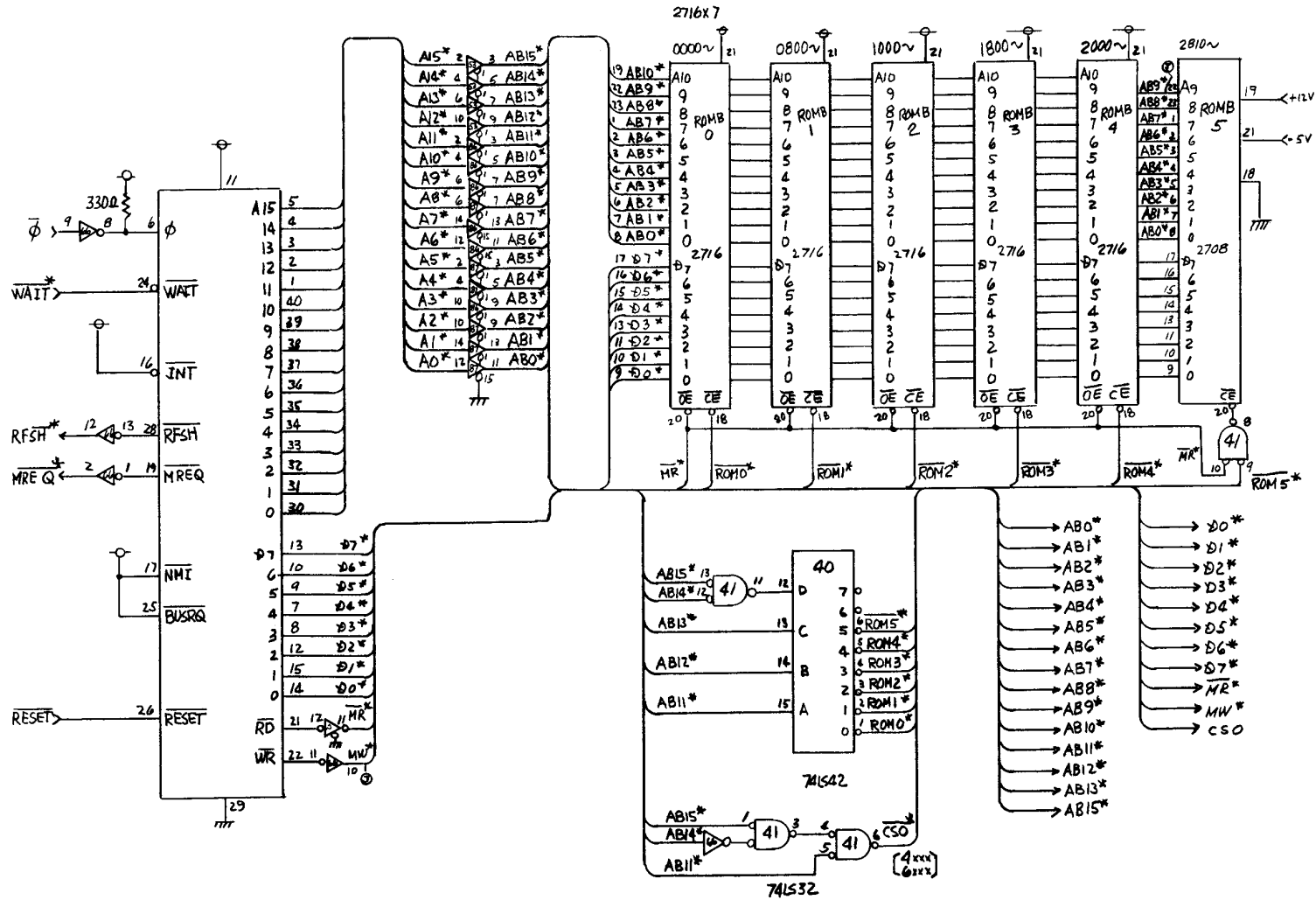
MAT'L'S. HEAT TREAT. FINISH

DWN. APP'D. DATE SCALE PART NO. REV.

AAN 3-26-81 366-10-0400

AF 17895B





- 74LS42 1
- 74LS367 3
- 74LS32 1
- 74LS04 1
- 2716 [5]
- 2708 [1]
- z 80 2

330Ω 1/4W 1

| QC. APV'D | PROD. APV'D | QTY. | ASSEMBLY NO |
|-----------|-------------|------|-------------|
| | | | |

| TOLERANCES | | | | centuri | |
|----------------------------|---|------|----------------------------------|------------------------|-------------|
| Unless Otherwise Specified | | | | HIALEAH, FLORIDA 33014 | |
| FRACTIONS | ± | 1/32 | NAME | | |
| DECIMALS 2 PL | ± | .015 | CPU-2 BOARD SCHEMATIC - ROUTE 16 | | |
| DECIMALS 3 PL | ± | .006 | MATERIALS | | |
| HOLES | + | .003 | HEAT TREAT. | | |
| ANGLES | - | .001 | FINISH | | |
| SHT. MET BENDS | ± | 1/2° | DWN | APP'D. | DATE |
| | | | | | 3-25-81 |
| | | | | | SCALE |
| | | | | | PART NO. |
| | | | | | 366-10-0400 |
| | | | | | REV. |
| | | | | | 4 OF 8 |