

S A M M Y U S A

A S P O R T S
R E N A

SECURITY KIT for Street Operator available!!!

SECURITY BRACKET KIT (Attach bracket at top or bottom. See below.)

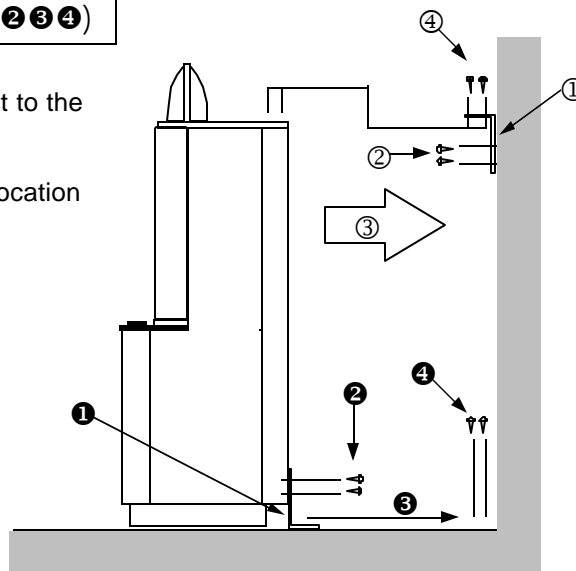
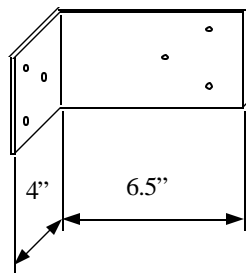
Mount this bracket to the wall to hold the top of cabinet. (①②③④)

- ① Place the Bracket at same height as S.Arena cabinet top.
- ② Use 3 screws which you need to provide depending on your location wall to mount the Bracket to wall.
- ③ Then slide the S.Arena cabinet close to wall.
- ④ Use 3 screws which are included in KIT to tighten the Bracket and Cabinet top.

Mount this bracket to the Floor to hold the bottom of cabinet. (①②③④)

- ① Place the Bracket to the back bottom of S.Arena cabinet.
- ② Use 3 screws which are included in KIT to mount the Bracket to the cabinet.
- ③ Then slide the S.Arena cabinet close to wall.
- ④ Use 3 screws which you need to provide depending of your location floor to tighten up the Bracket to the floor.

SECURITY
BRACKET

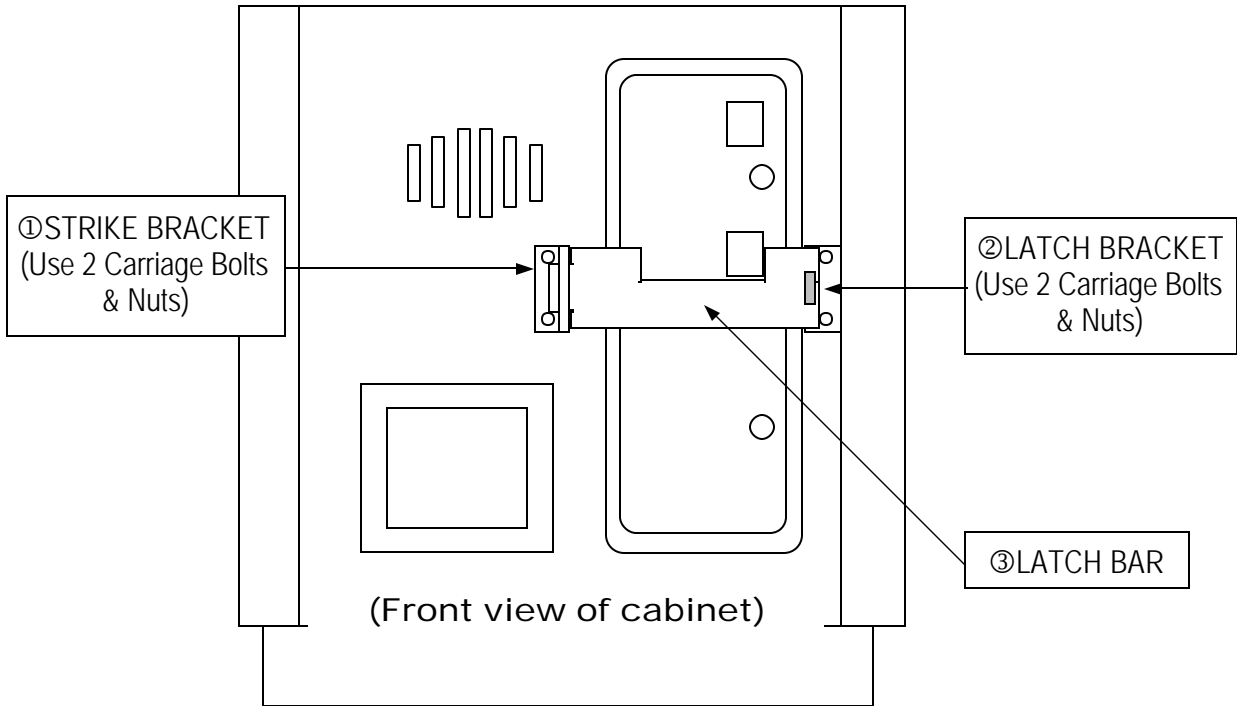


(Side view of cabinet)

A R E N A S P O R T S

COIN DOOR SECURITY KIT

- ① Use 1 set of original Carriage bolts & Nuts to mount the STRIKE BRACKET.
- ② Use 1 set of original Carriage bolts & Nuts to mount the LATCH BRACKET.
- ③ Then hook in the left side of LATCH BAR to the rectangular hole on STRIKE BRACKET. Then match the Rectangular hole and LATCH BRACKET to close the LATCH BAR.



STRIKE
BRACKET



LATCH
BRACKET



LATCH
BAR

