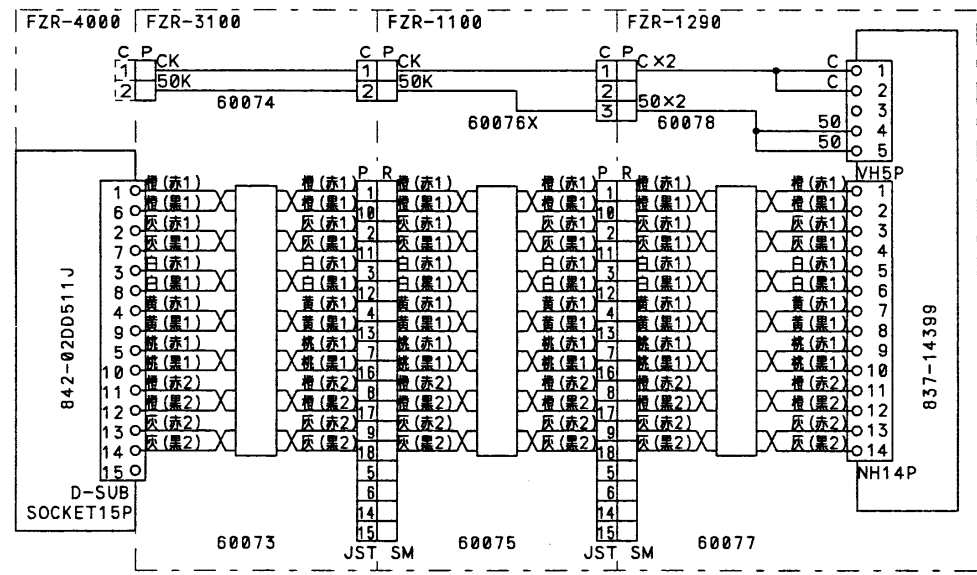
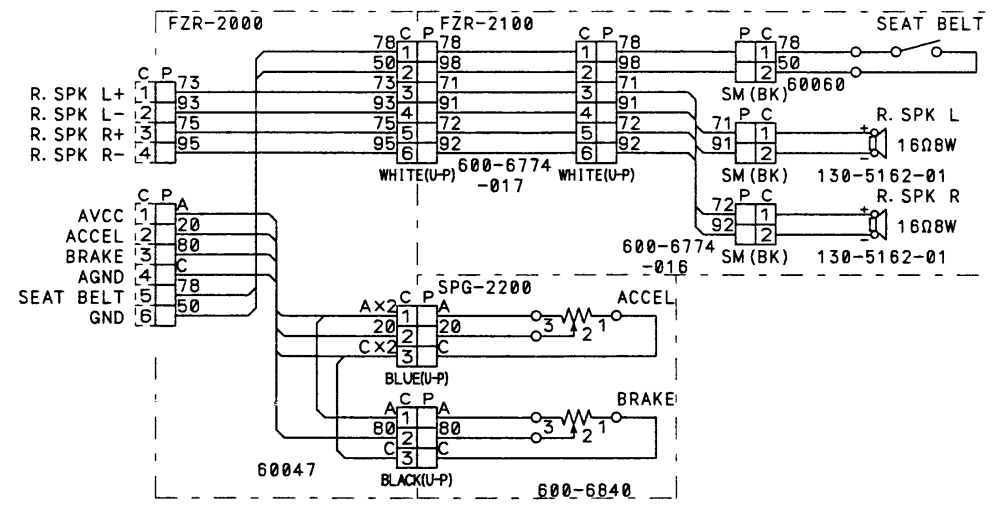
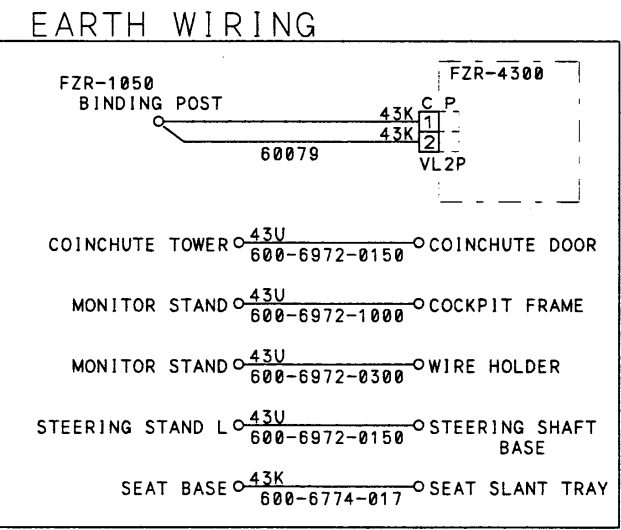
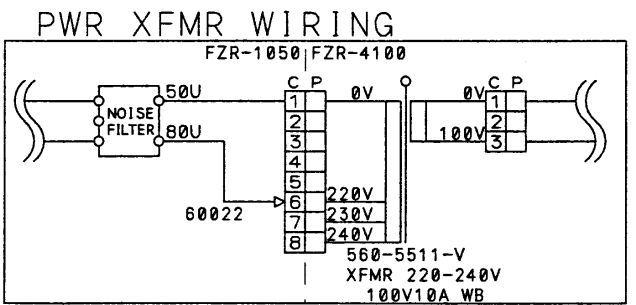


24. WIRING DIAGRAM (D-1/3)



The character in the figure corresponds to the following wire colors respectively.
 橙: ORANGE 赤: RED
 黒: BLACK 灰: GRAY
 白: WHITE 黄: YELLOW
 桃: PINK

The number in the parenthesis shows the number of the point on the wire cover.



Note: The connector without directions is "JST YL."
 Note: 5-figure number "600xx" is "FZR-600xx."

