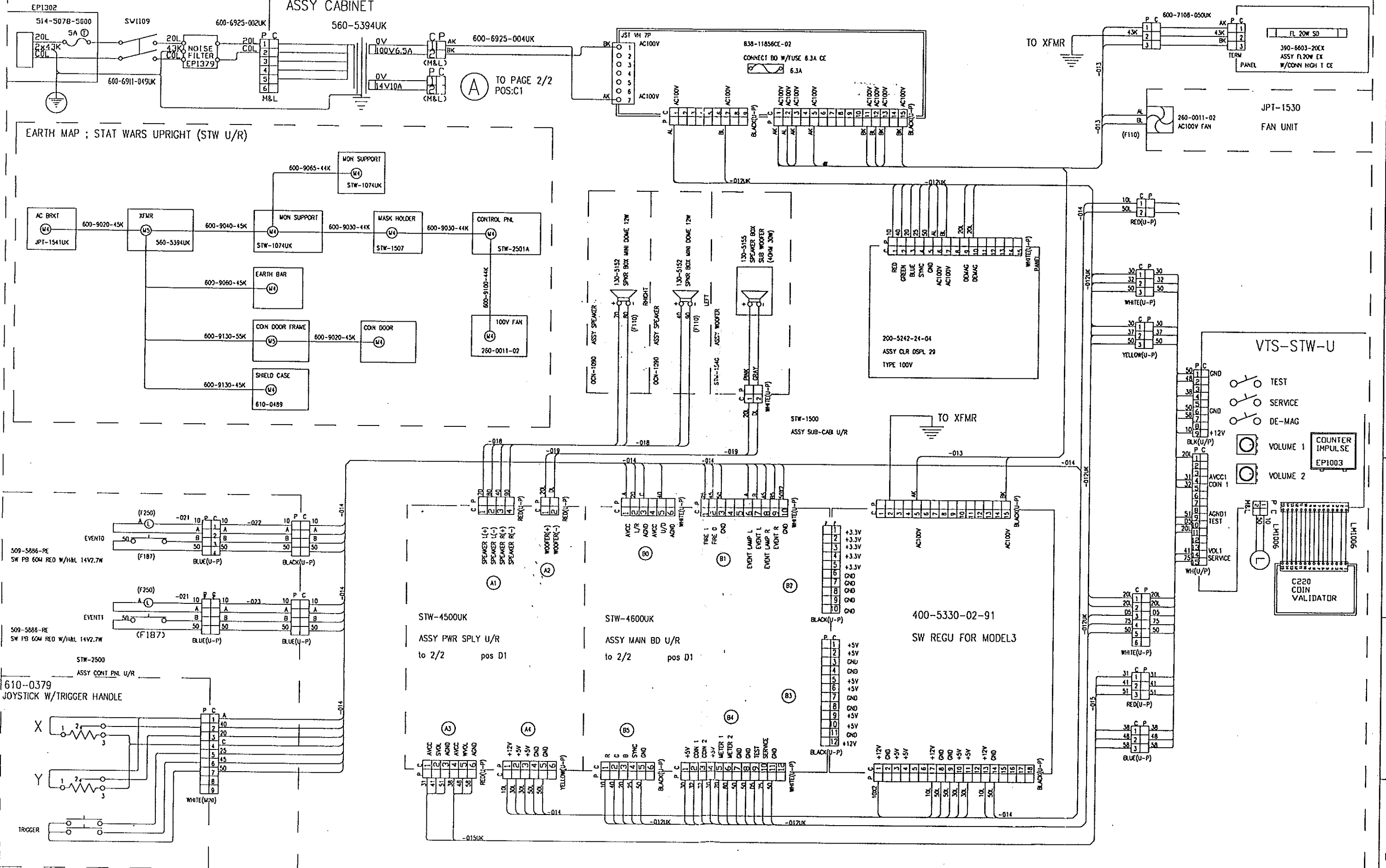


WIRE No. 600-7108

JPT-1040UK ASSY AC UNIT

STW-1500UK ASSY CABINET



8	BLACK	E	LIGHT GREEN	50L	WHITE AWG20
7	ORANGE	D	PURPLE	50	WHITE RED
5	WHITE	C	BROWN	EXAMPLE	
4	GREEN	B	SKY BLUE	U	AWG16 UL1015
3	YELLOW	A	PINK	K	AWG18 UL1015
2	BLUE		GRAY	L	AWG20 UL1007
1	RED				AWG22 UL1007

USED ON ASSY	DRAWN	CHECKED	D CHECKED	APPROVED
STW-00001UK	JW	GC		GC
TOP-ASS'Y	16/12/98	16/12/98		16/12/98

SEGA SEGA ENTERPRISES, LTD. THIS DRAWING WILL IN NO WAY BE COPIED. TO BE RETURNED ON DEMAND.	STAR WARS TRILOGY ARCADE U/R UK	STWU/R 1/2
DESCRIPTION		DIAGRAM No.

STW-4500UK ASSY PWR SPLY U/R

STW-10001UK ASSY SUB-CABI U/R  
STW-10002UK

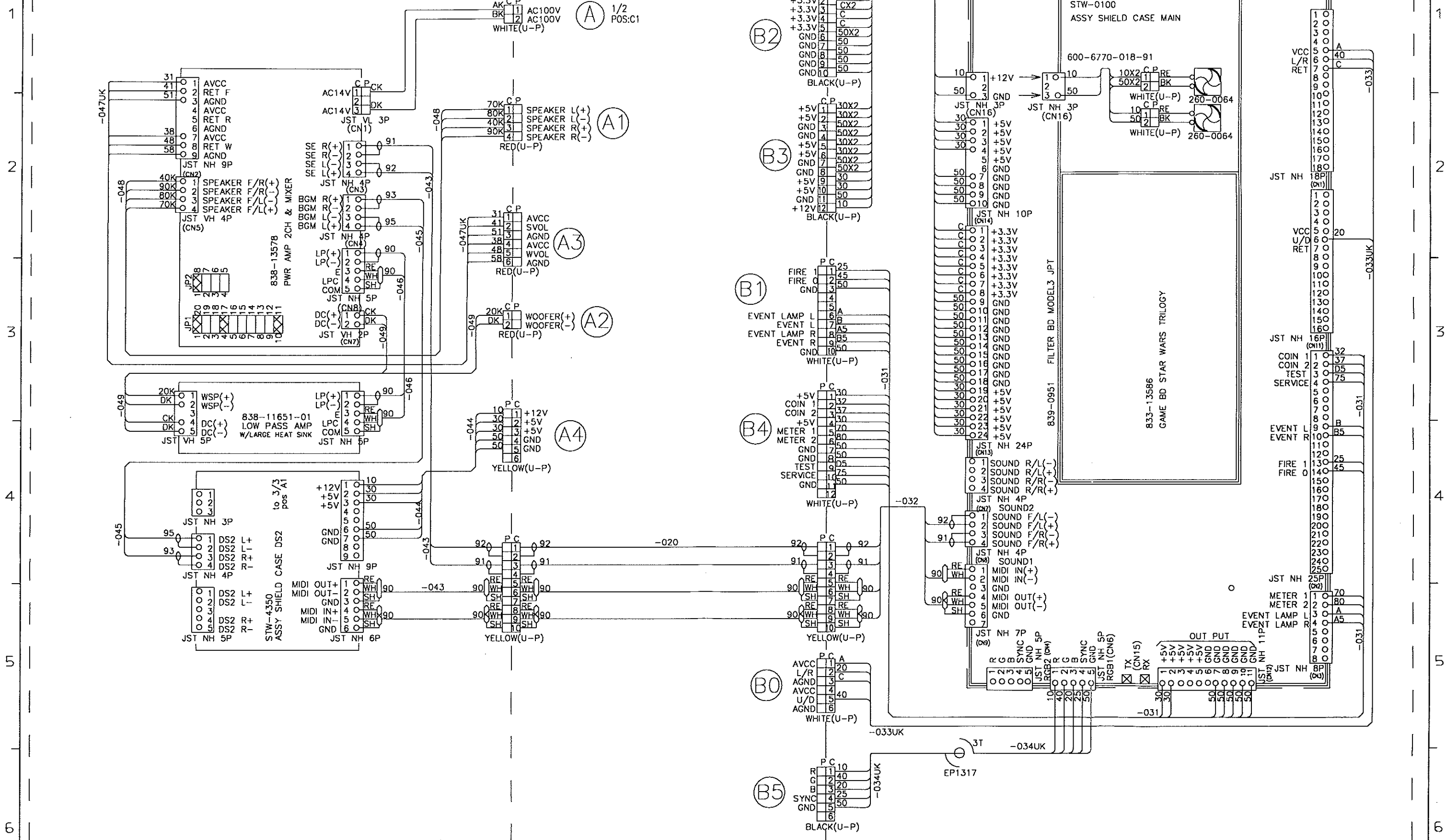
STW-4600UK ASSY MAIN BD U/R

STW-0100 ASSY SHIELD CASE MAIN

600-6770-018-91

833-13586 GAME BD STAR WARS TRILOGY

839-0951 FILTER BD MODEL 3 JPT



8	BLACK	E	LIGHT GREEN	50L	WHITE AWG20
7	ORANGE	D	PURPLE	51	WHITE RED
5	WHITE	C	BROWN	50	WHITE
4	GREEN	B	SKY BLUE	U	AWG16 UL1015
3	YELLOW	A	PINK	V	AWG18 UL1015
2	BLUE	9	GRAY	K	AWG20 UL1007
1	RED	8	GRAY	L	AWG20 UL1007
		7	GRAY	U	AWG22 UL1007

STW-00001UK	USED ON ASSY	TOP-ASS'Y
16/12/98	16/12/98	16/12/98

DRAWN	CHECKED	D CHECKED	APPROVED	SEGA SEGA ENTERPRISES, LTD. THIS DRAWING WILL IN NO WAY BE COPIED. TO BE RETURNED ON DEMAND.
JW	GC		GC	
STAR WARS TRILOGY ARCADE U/R UK				STWU/R 2/2
DESCRIPTION				DIAGRAM No.