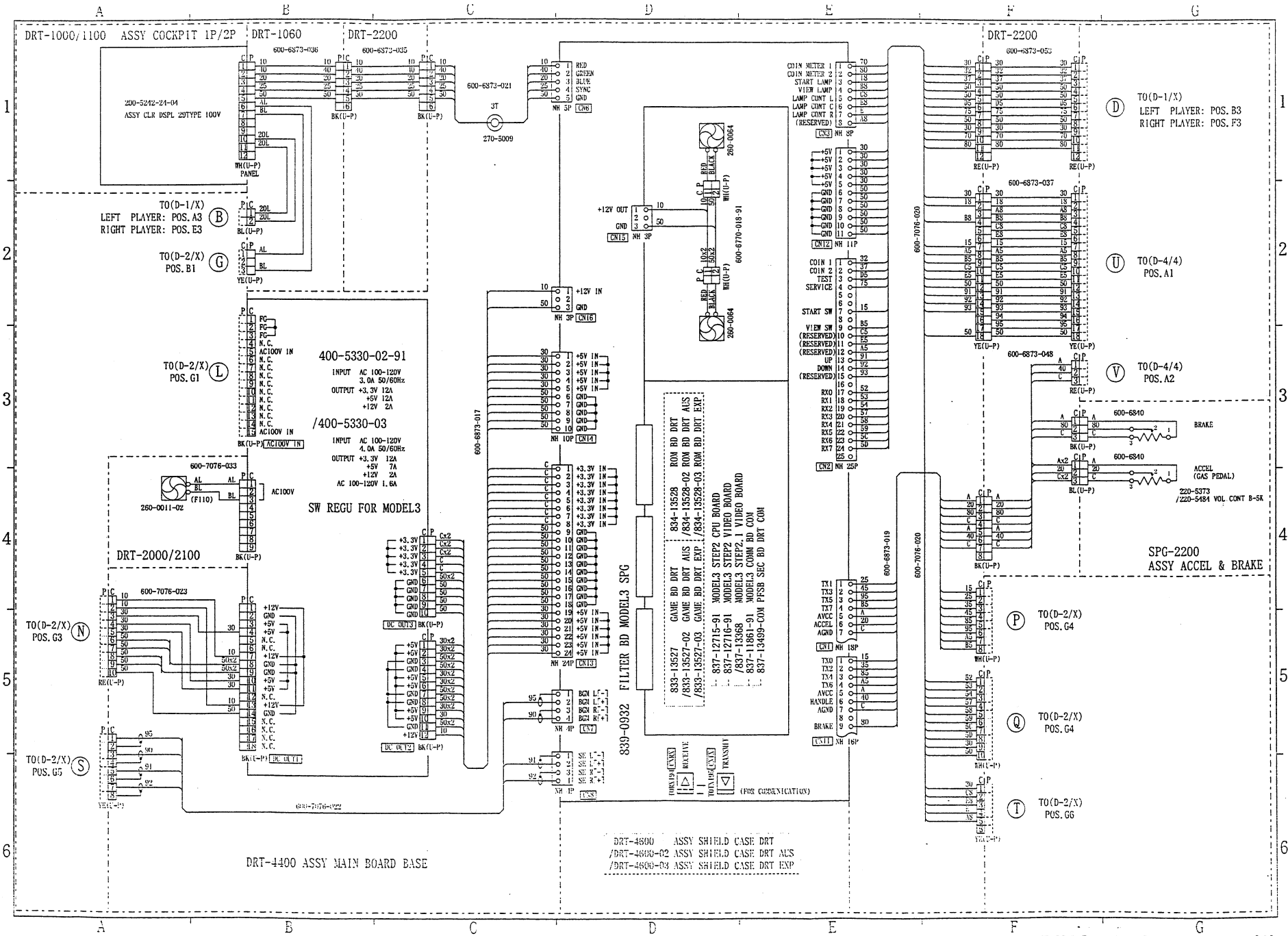
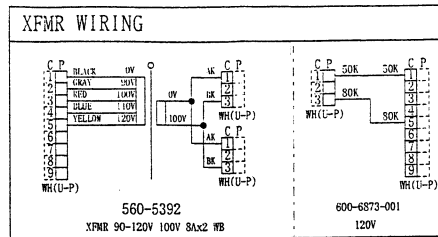
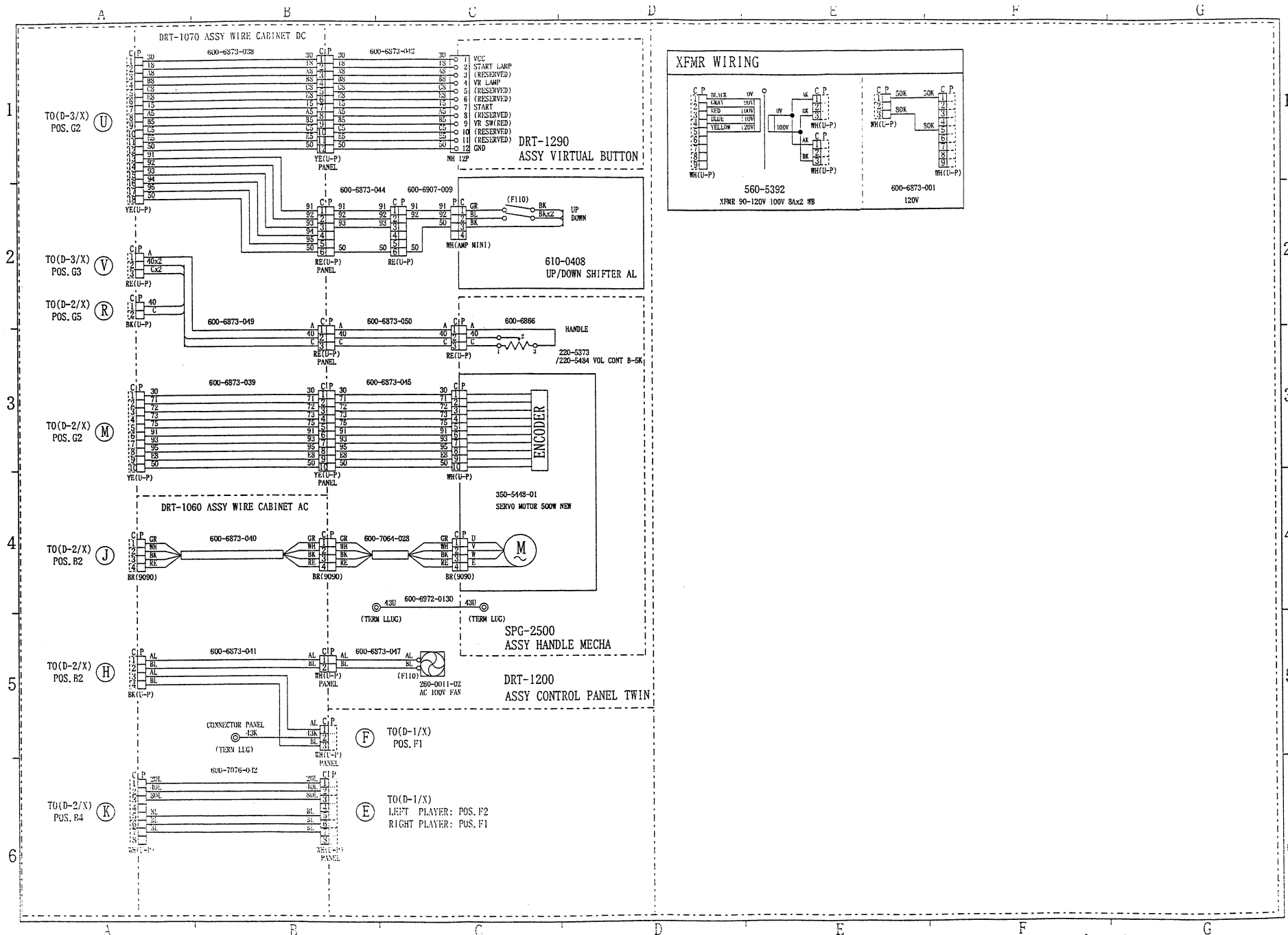


WIRING DIAGRAM (D-2/4)



WIRING DIAGRAM (D-3/4)



WIRING DIAGRAM (D-4/4)