



SUPER CONTRA™

INSTRUCTION MANUAL

SUPER CONTRA™ is a registered trademark of Konami Inc. © 1988 Konami Inc.


 KONAMI® is a trademark of Konami Industry Co., Ltd.



TABLE OF CONTENTS

	Page		Page
Wiring Harness	1	Dip Switch Settings	4
AC Flow Chart	2	Coin Door Assembly	5-8
Wiring Diagram	3		

SUPER CONTRA: WIRING HARNESS

Solder Side ← → Parts Side

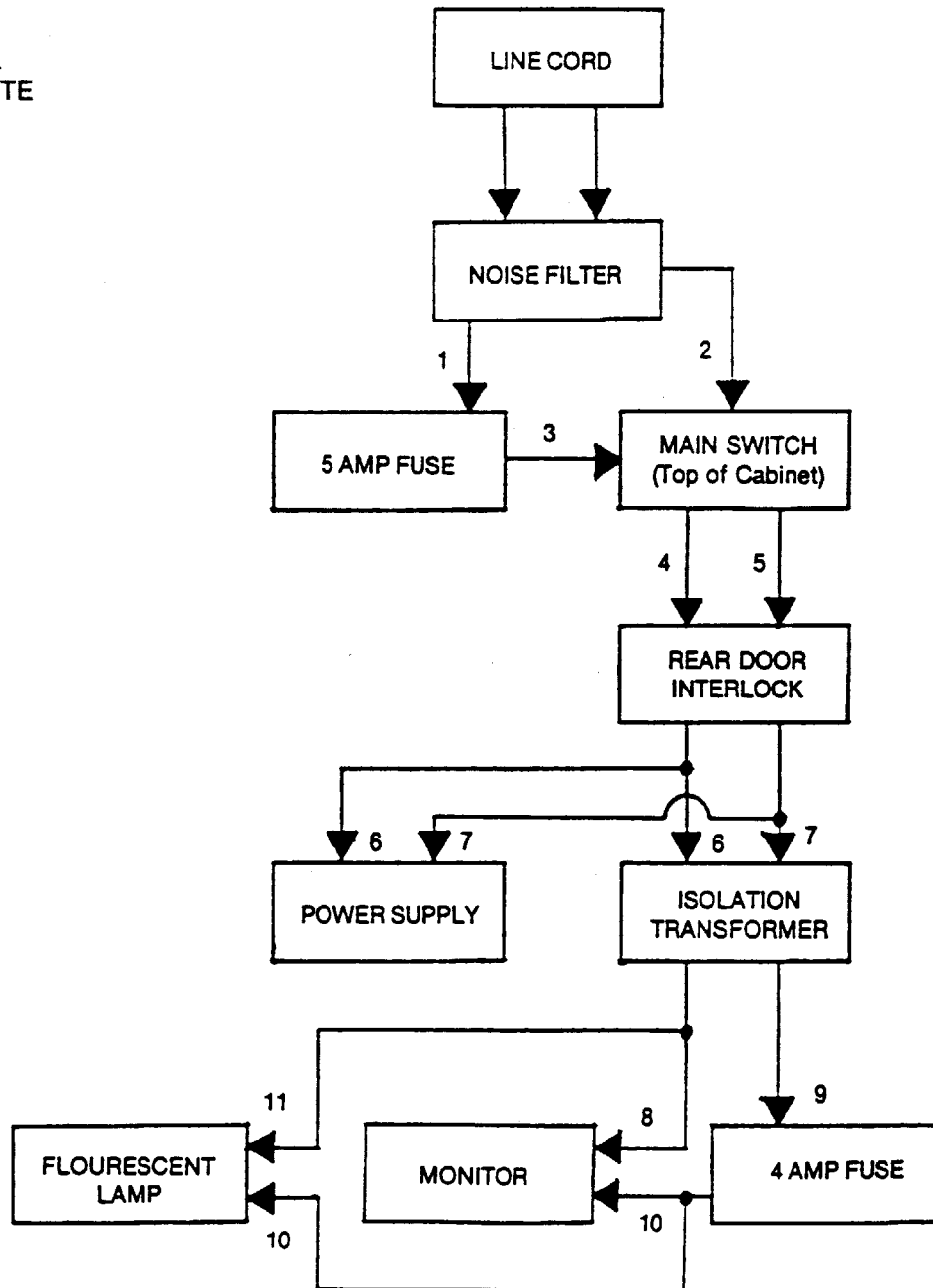
WIRE COLOR KEY:

Solder Side		Parts Side			
BLACK	GND	A	1	GND	BLACK
BLACK	GND	B	2	GND	BLACK
RED	+ 5V DC	C	3	+ 5V DC	RED
RED	+ 5V DC	D	4	+ 5V DC	RED
	NOT USED	E	5	NOT USED	
ORANGE	+ 12V DC	F	6	+ 12V DC	ORANGE
	*KEY	H	7	*KEY	
BROWN/YELLOW	COIN COUNTER 2	J	8	COIN COUNTER 1	GREEN/GRAY
	(EMPTY)	K	9	(EMPTY)	
	SPEAKER (-)	L	10	SPEAKER (+)	
	(EMPTY)	M	11	(EMPTY)	
WHITE/GREEN	VIDEO GREEN	N	12	VIDEO RED	RED/WHITE
WHITE	VIDEO SYNC	P	13	VIDEO BLUE	BLUE/WHITE
RED/YELLOW	SERVICE SW	R	14	VIDEO GROUND	BLACK
	(EMPTY)	S	15	(EMPTY)	
VIOLET/WHITE	COIN 2	T	16	COIN 1	BLUE/BROWN
RED/GREEN	2P START	U	17	1P START	PINK/YELLOW
BLUE/YELLOW	2P UP	V	18	1P UP	ORANGE/WHITE
VIOLET/YELLOW	2P DOWN	W	19	1P DOWN	BLACK/WHITE
ORANGE/GREEN	2P LEFT	X	20	1P LEFT	RED/GRAY
ORANGE/YELLOW	2P RIGHT	Y	21	1P RIGHT	GRAY/WHITE
BLACK/YELLOW	2P SHOOT	Z	22	1P SHOOT	PINK/WHITE
ORANGE/GRAY	2P JUMP	a	23	1P JUMP	GREEN/BROWN
	NOT USED	b	24	NOT USED	
	NOT USED	c	25	NOT USED	
	NOT USED	d	26	NOT USED	
BLACK	GND	e	27	GND	BLACK
BLACK	GND	f	28	GND	BLACK

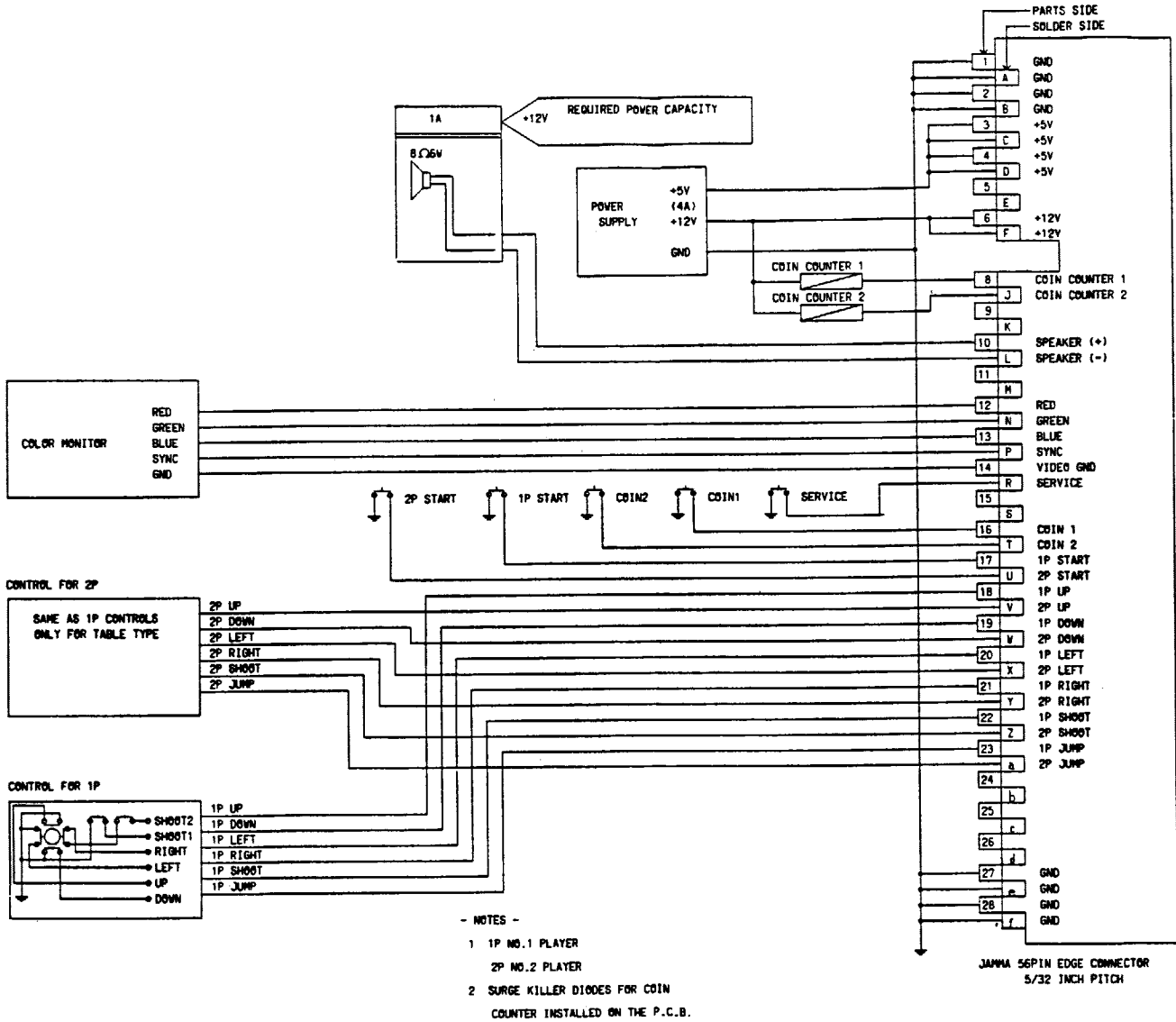
(BASE COLOR/LINE COLOR)

SUPER CONTRA: AC FLOW CHART

- 1. GREEN/YELLOW
- 2. BLACK
- 3. RED
- 4. BLUE
- 5. BROWN
- 6. RED/BLACK
- 7. BLACK/WHITE
- 8. WHITE
- 9. GREEN
- 10. VIOLET
- 11. ORANGE



SUPER CONTRA: WIRING DIAGRAM



DIP SWITCH SETTINGS

DIP SWITCH NO. 1 SETTINGS

1. COIN 1

SW	1	2	3	4	COIN	PLAY
•	OFF	OFF	OFF	OFF	1	1
	ON	OFF			1	2
	OFF	ON			1	3
	ON	ON			1	4
	OFF	OFF	ON	OFF	1	5
	ON	OFF			1	6
	OFF	ON			1	7
	ON	ON			2	1
	OFF	OFF	OFF	ON	2	3
	ON	OFF			2	5
	OFF	ON			3	1
	ON	ON			3	2
	OFF	OFF	ON	ON	3	4
	ON	OFF			4	1
	OFF	ON			4	3
	ON	ON			FREEPLAY	

FREEPLAY: You can play game without coins.

DIP SWITCH NO. 2 SETTINGS

1. THE NUMBER OF PLAYER'S LIFE

SW	1	2	NUMBER
•	OFF	OFF	2
	ON	OFF	3
	OFF	ON	5
	ON	ON	7

2. CHANGE OF TABLE/UPRIGHT

SW	3	TYPE
•	OFF	TABLE
	ON	UPRIGHT

3. BONUS LIFE

SW	4	5	BONUS LIFE
•	OFF	OFF	At 30,000 pts. and 200,000 pts.
	ON		At 50,000 pts. and 300,000 pts.
	OFF	ON	At 30,000 pts. only
	ON	ON	At 50,000 pts. only

4. DIFFICULTY OF THE GAME

SW	6	7	DIFFICULTY
•	OFF	OFF	EASY
	ON	OFF	NORMAL
	OFF	ON	DIFFICULT
	ON	ON	VERY DIFFICULT

2. COIN 2

SW	5	6	7	8	COIN	PLAY
•	OFF	OFF	OFF	OFF	1	1
	ON	OFF			1	2
	OFF	ON			1	3
	ON	ON			1	4
	OFF	OFF	ON	OFF	1	5
	ON	OFF			1	6
	OFF	ON			1	7
	ON	ON			2	1
	OFF	OFF	OFF	ON	2	3
	ON	OFF			2	5
	OFF	ON			3	1
	ON	ON			3	2
	OFF	OFF	ON	ON	3	4
	ON	OFF			4	1
	OFF	ON			4	3
	ON	ON			VOID	

5. SOUND IN ATTRACTIVE MODE

SW	8	SOUND
•	OFF	OFF
	ON	ON

DIP SWITCH NO.3 SETTINGS

1. VIDEO SCREEN FLIP

SW	1	VIDEO SCREEN (Monitor)
•	OFF	NORMAL
	ON	UPSIDE DOWN

2. CHANGE OF MODE

SW	3	MODE
•	OFF	GAME MODE
	ON	CHECK MODE

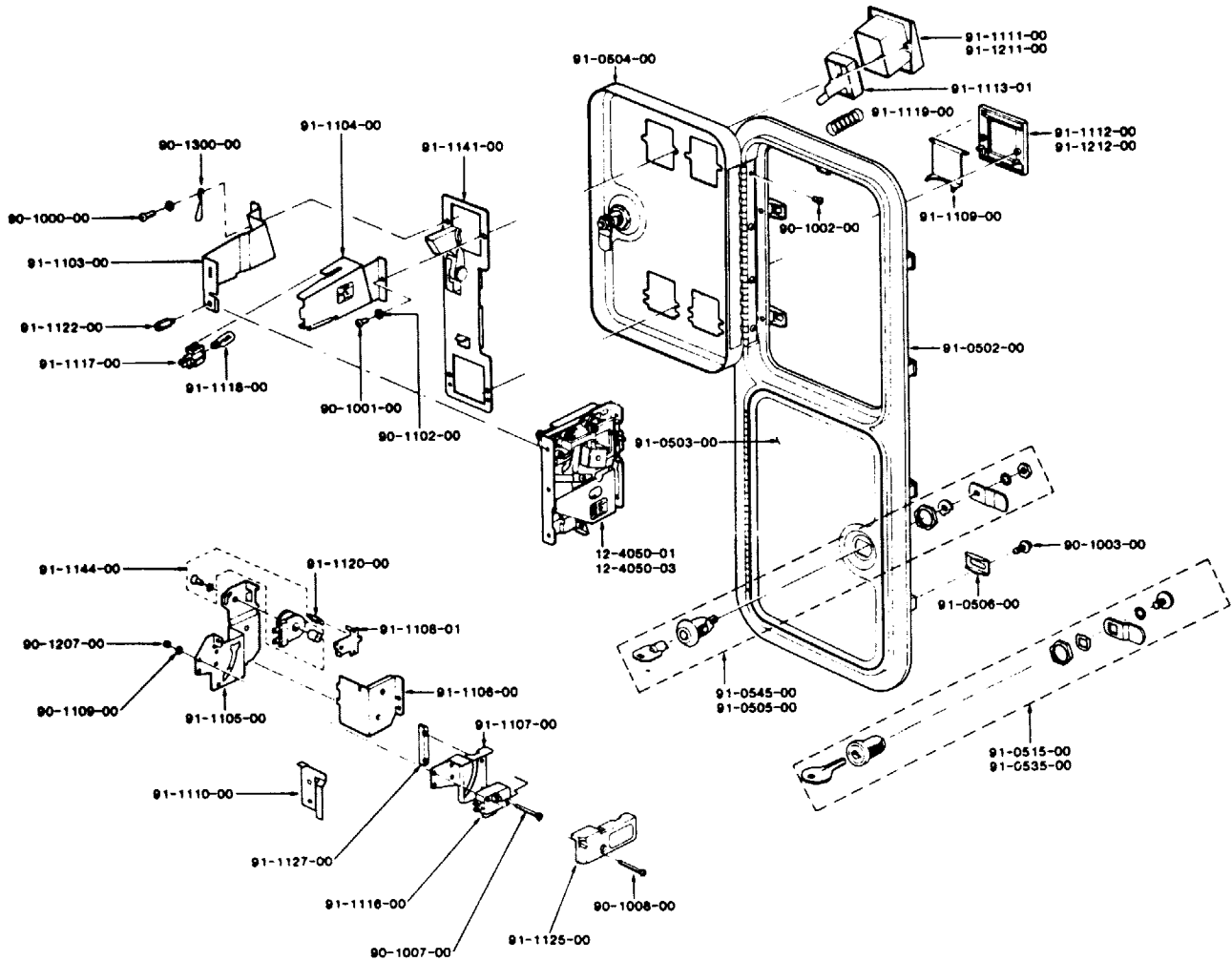
3. CONTINUATION

SW	4	1 PLAYER PLAY	2 PLAYER PLAY
•	OFF	Up to 3 times	Up to twice altogether
	ON	Up to 5 times	Up to 4 times altogether

SW2 is not used.

- Shows recommended settings

COMPLETE COIN DOOR ASSEMBLY EXPLODED VIEW

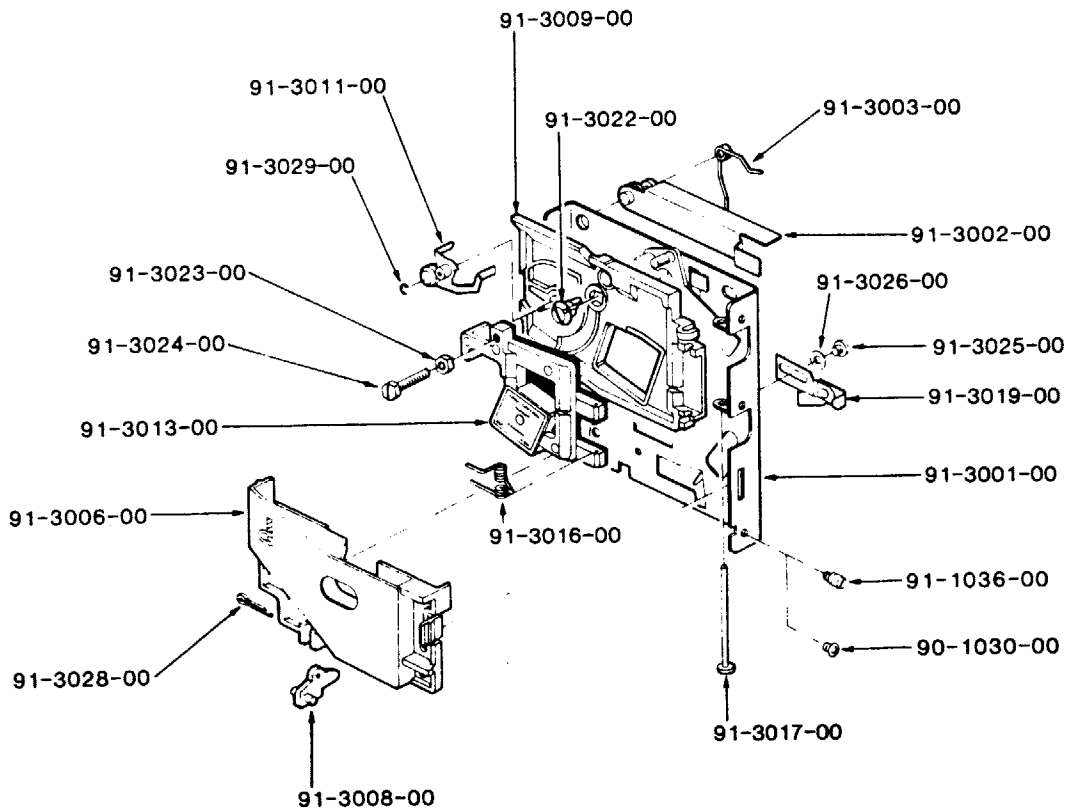


PARTS LIST

12-4050-01	S-10 Acceptor Body U.S. 25*	90-1102-00	Washer for Bezel Screw	91-1103-00	Coin Inlet Lamp Side	91-1119-00	Button Spring
12-4050-03	S-10 Acceptor Body Canadian 25*	90-1207-00	Nut for Microswitch Mounting Screw	91-1104-00	Coin Inlet Cover Side	91-1120-00	Lockout Spring
20-4177-00	Plastic Cash Box	90-1300-00	Keyhook	91-1105-00	Reject Cup Side Plate	91-1122-00	Retaining Screw for Acceptor Body
20-4179-00	Steel Enclosure	91-0502-00	Zinc Die Cast Frame	91-1106-00	Reject Cup Base Plate	91-1125-00	Clear Plastic Cover for Microswitch
22-1400-00	Locking Bar	91-0503-00	Lower Door	91-1107-00	Microswitch Bracket	91-1127-00	Plastic Switch Adjuster
24-1150-00	Wire Harness	91-0504-00	Upper Door	91-1108-01	Lockout Flap U.S. 25*	91-1141-00	Base Plate With Pivot and Stud
90-1000-00	Keyhook Bezel Screw	91-0505-00	Round Lock and Cam Assembly	91-1109-00	Reject Flap	91-1144-00	6 Volt DC Lockout Coil Assembly
90-1001-00	Bezel Screw	91-0506-00	Clamp	91-1110-00	Metal Switch Adjuster	91-1211-00	Zinc Plated Button Bezel
90-1002-00	Hinge Screw	91-0515-00	Flat Lock and Cam Assembly	91-1111-00	Black Button Bezel	91-1212-00	Zinc Plated Reject Bezel
90-1003-00	Clamp Screw	91-0535-00	Flat Lock and Cam Assembly	91-1112-00	Black Reject Bezel		
90-1007-00	Flat Head Microswitch Mounting Screw	91-0545-00	Round Lock and Cam Assembly	91-1113-01	Entry/Reject Button U.S. 25*		
90-1008-00	Panhead Microswitch Mounting Screw			91-1116-00	Microswitch (Black End Arm)		
				91-1117-00	Lampholder		
				91-1118-00	6 V Wedge Base Lamp		

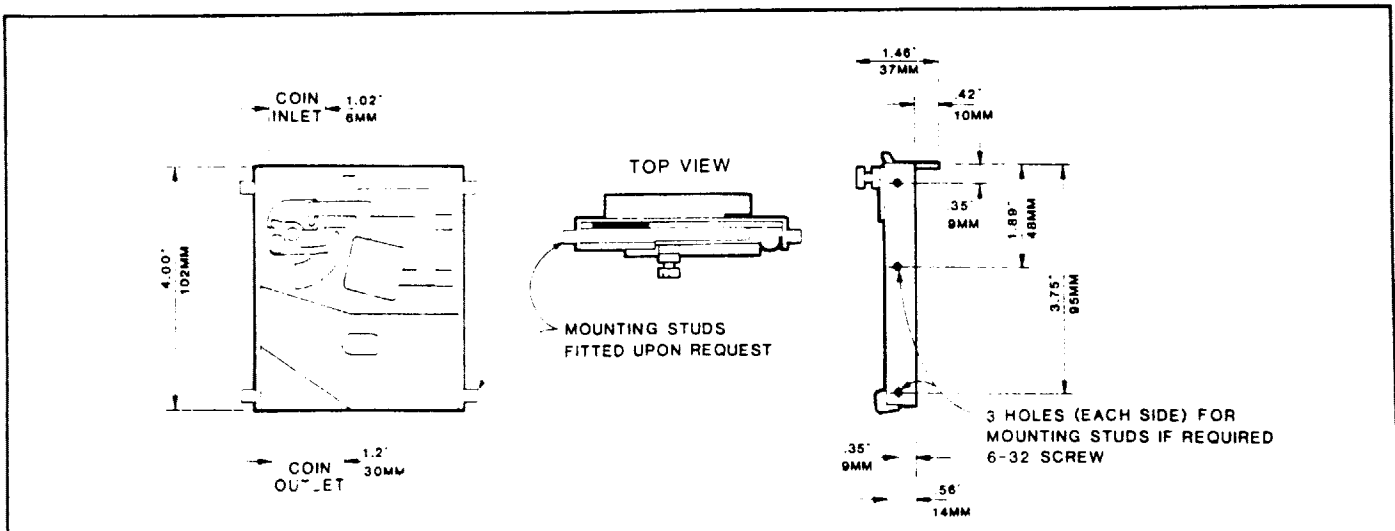
Gold Mech

Engineering Data and Parts List



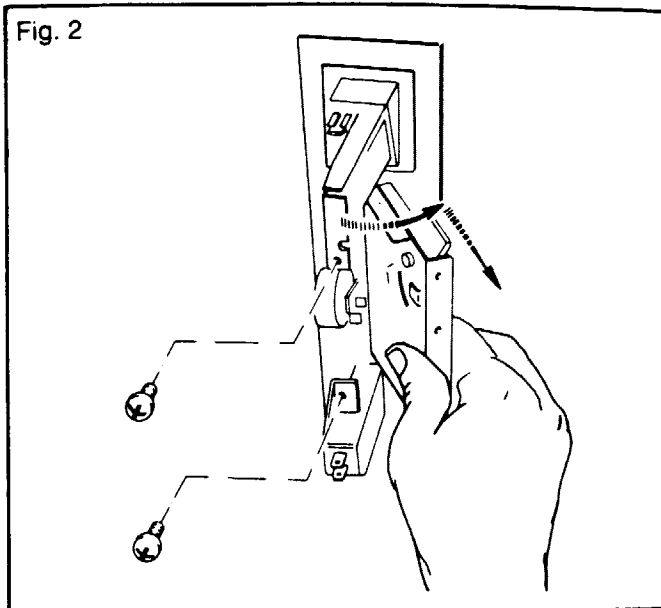
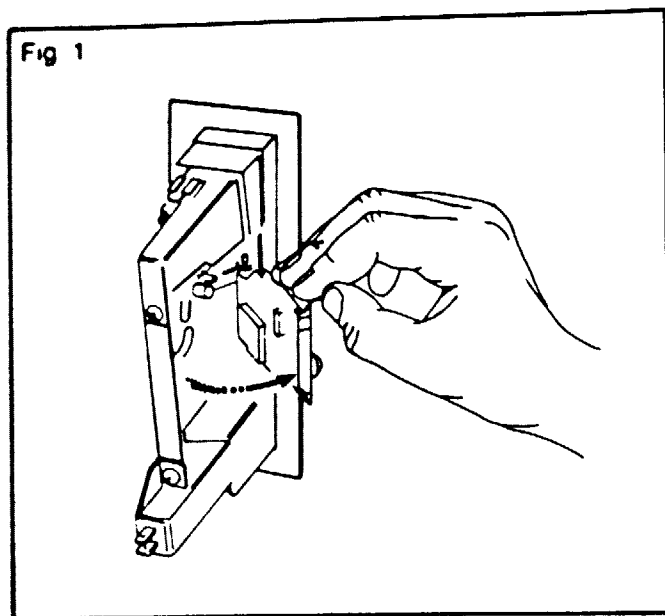
PARTS LIST

90-1030-00 Retaining Screw (#6-32"x.250")	91-3009-00 Gate	91-3023-00 Locknut-Magnet Holder
91-1036-00 Mounting Stud	91-3011-00 Cradle	91-3024-00 Screw-Magnet Holder
91-3001-00 Back Plate	91-3013-00 Magnet Holder with Magnet	91-3025-00 Screw Separator
91-3002-00 Reject Lever	91-3016-00 Gate Spring	91-3026-00 Washer
91-3003-00 Reject Lever Spring	91-3017-00 Gate Pin	91-3028-00 Cotter Pin for Anti-stringing Device
91-3006-00 Cover Plate	91-3019-00 Separator	91-3029-00 E-Clip for Cradle
91-3008-00 Anti-Stringing Device	91-3022-00 Diameter Adjustment	



Gold Mech: Service Information

CLEANING and CARE of the MECHANISM



The magnet that is fitted to the mechanism, should be kept clean from foreign particles. The magnet can be cleaned by swinging the gate open. (as shown in Fig. 1.) Remove metal filings from the magnet by guiding the point of a screwdriver along the edges of the magnet, such that the filings cling to the screwdriver.

The mechanism can be cleaned by immersing in water using a small brush to clean the mechanism. Rinse the mechanism with boiling water and dry with compressed air.

Note:

Since the Gold Mech relies on coins passing the magnet at a constant speed, the rejector must be free of dirt and grease which may slow down the coins. Do not lubricate the acceptor with oil as this slows down coins.

If the above procedures are not successful, check for worn, bent or damaged parts and replace where necessary.

Coin Switch

The coin switch comes in two different spring tensions—identified by the color of the plastic boss at the wire's pivot point.

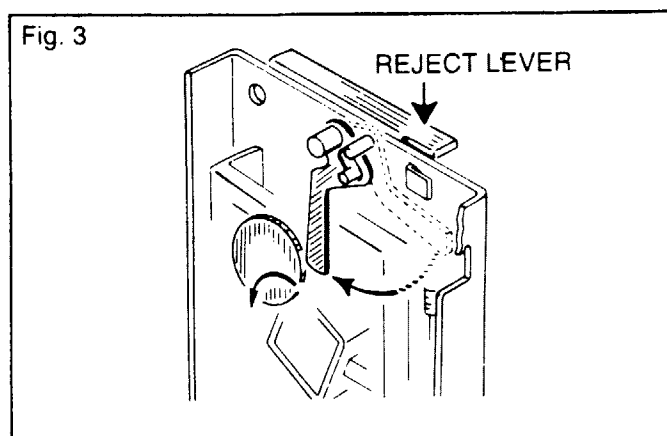
Red: Light tension—U.S. 25¢

White: Heavy tension—heavy foreign coins

Removal of Mechanism

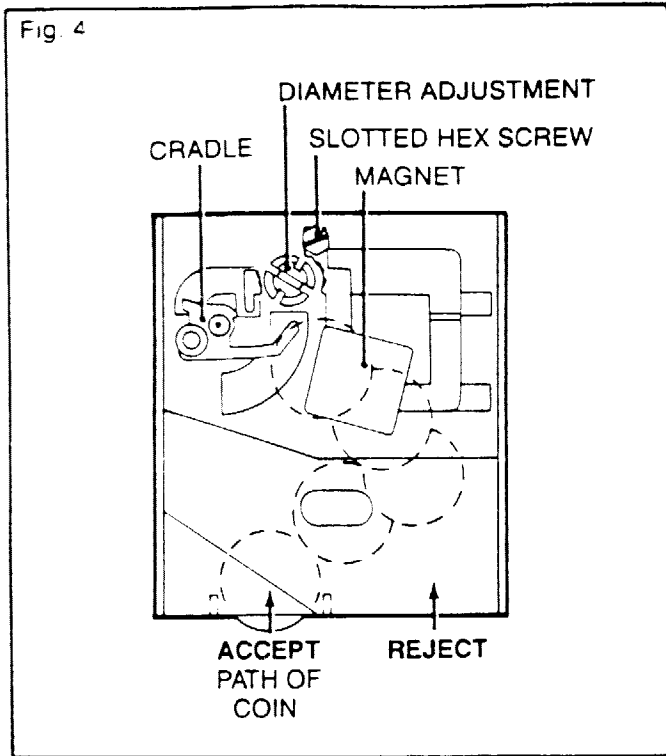
To remove the coin selector: Unscrew the two screws (as SHOWN IN Fig. 2)—swing rear of selector body away from the lock-out side and withdraw.

The Gold Mech Acceptors are designed to require a minimum of maintenance and field adjustment. Coins are checked by diameter and thickness, weight, metal content, bounce, and for ferromagnetic coins such as nickel and steel, a rim test is also used.



The Magnet

Coins that are too thick will fail to pass between the magnet and the backplate of the mechanism; and will be cleared by the magnet wiper when the reject lever is actuated. (Fig. 3)



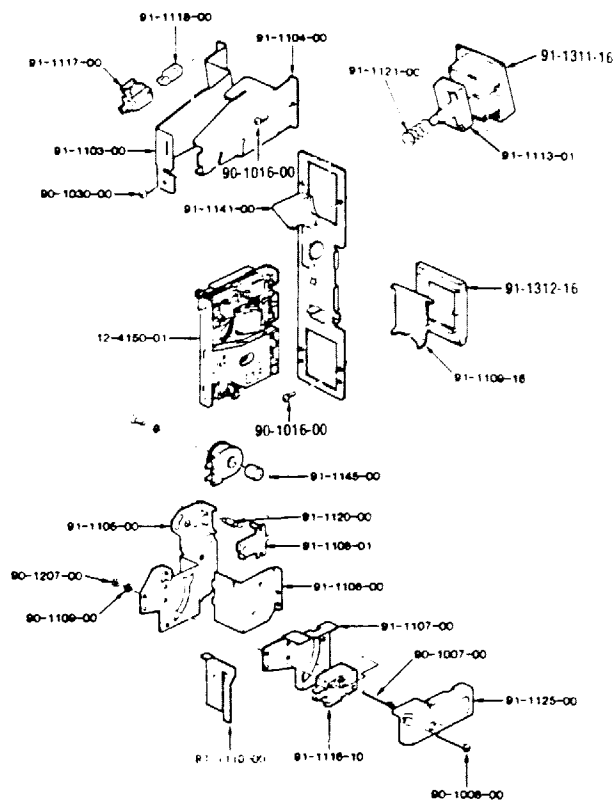
The first check on the coin is at the entry slot which prevents the entry of grossly oversize and bent coins. The next test is at the cradle. When the correct coin falls into the cradle, the cradle tips and the coin is delivered to the magnet check. Under-diameter coins fall between the legs of the cradle and are returned to reject. Under-weight coins fail to tipple the cradle and can be returned to reject by pressing the reject lever.

Adjustment

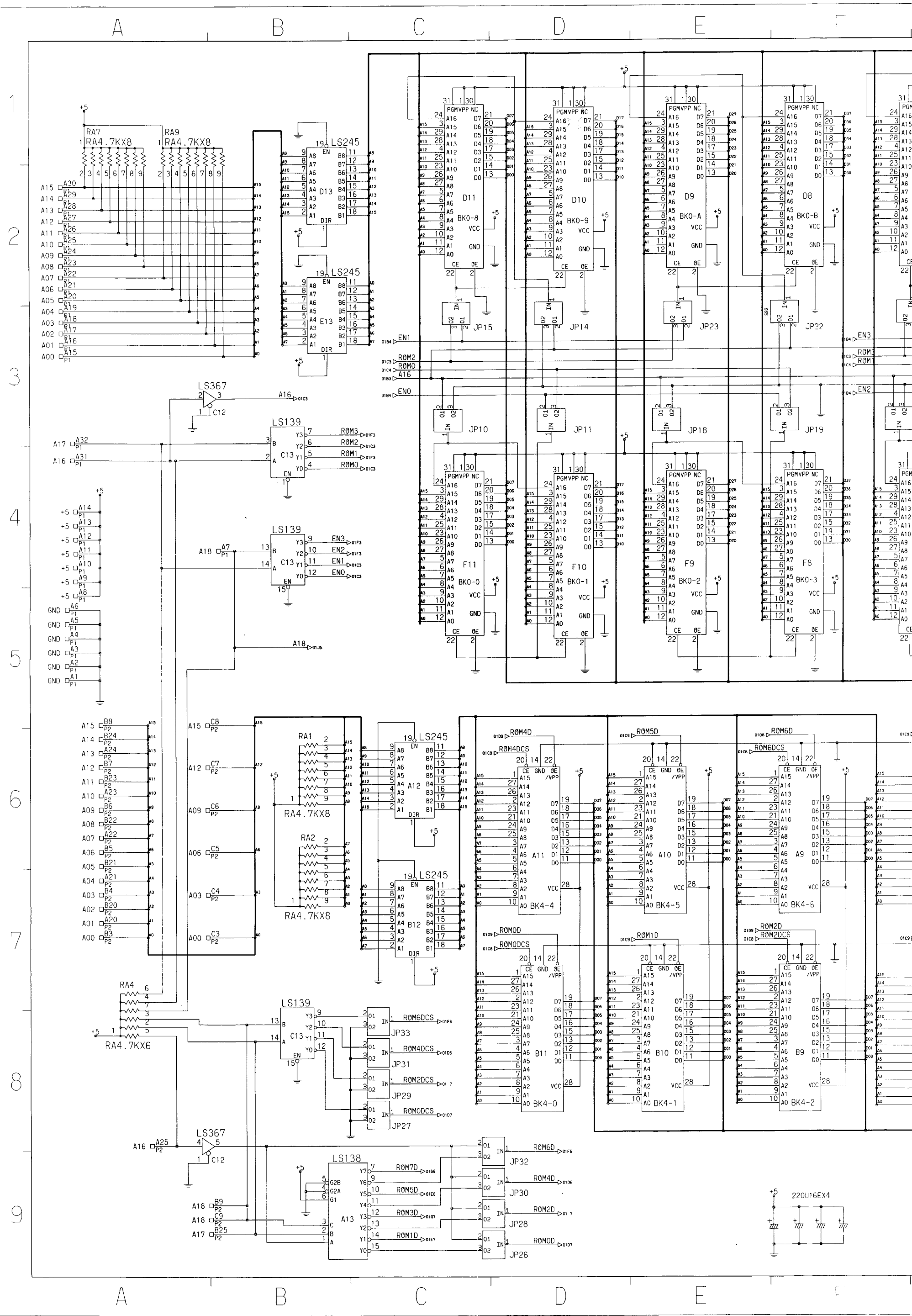
The Gold Mech Acceptors are factory adjusted for optimum performance. If more critical adjustments are desired, or if the unit has been disassembled, the following adjustment procedure is suggested. (Fig. 4)

1. Ensure that the mechanism is in an upright and level position.
2. Loosen the hex locking screw on the magnet holder and unscrew the slotted hex screw.
3. Place a true U.S. 25¢ coin in the mechanism. Turn the diameter adjustment (Fig. 4) clockwise until the coin falls into the cradle. The cradle should tipple and the coin come to rest on the side of the magnet. Turn the slotted hex screw clockwise until the coin just clears the magnet. Give this screw a further 1/2 turn clockwise for optimum clearance and tighten the locknut.

Base Plate Assembly for Coin Doors and Front Plates



Part Number	Description
12-4150-01	Gold Mech Acceptor
90-1000-00	Keyhook Bezel Screw
90-1007-00	Flat Head Microswitch Mounting Screw
90-1008-00	Pan Head Microswitch Mounting Screw
90-1016-00	CPJS/Bezel Screw
90-1030-00	Mounting Screw for Gold Mech
90-1032-00	Bezel/Hinge Screw PZ
90-1109-00	Lock Washer for Microswitch Assembly
90-1207-00	Nut for Microswitch Mounting Screw
91-1103-00	Coin Inlet Lamp Side
91-1104-00	Coin Inlet Cover Side
91-1105-00	Reject Cup Side Plate
91-1106-00	Reject Cup Base Plate
91-1107-00	Microswitch Bracket
91-1108-00	Lockout Flap U.S. 25¢
91-1109-16	Reject Flap
91-1110-00	Metal Switch Adjuster
91-1113-01	Entry/Reject Button U.S. 25¢
91-1116-10	Microswitch (Red End Arm)
91-1117-00	Lampholder
91-1118-00	GV Wedge Base Lamp
91-1120-00	Lockout Spring
91-1121-00	Button Spring
91-1125-00	Clear Plastic Cover for Microswitch
91-1141-00	Base Plate w/Pivot Coil
91-1145-00	12V DC Lockout Coil
91-1311-16	Black Nylon Button Bezel
91-1312-16	Black Nylon Reject Bezel



1

2

3

4

5

6

7

8

9

A

B

C

D

E

F

A

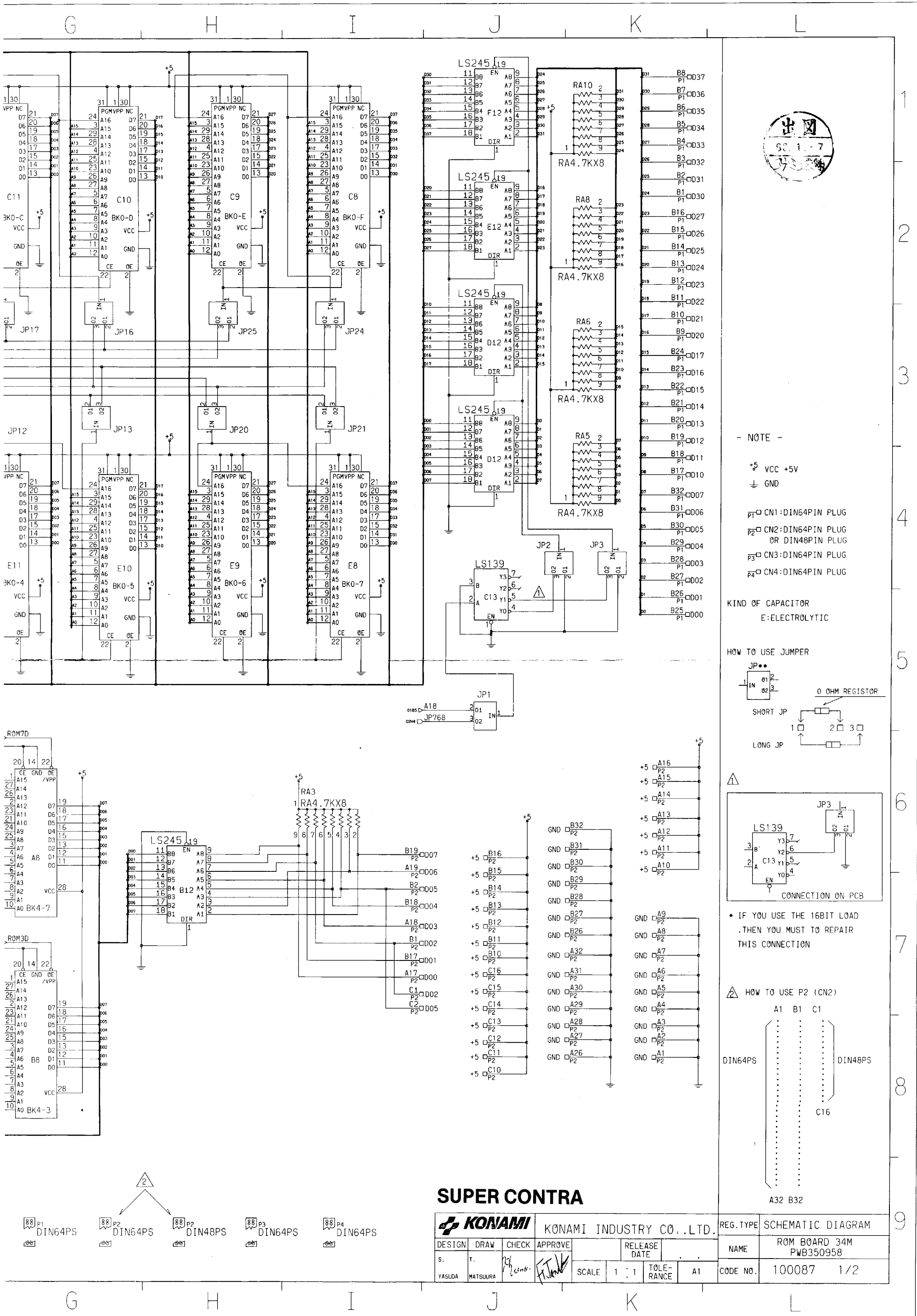
B

C

D

E

F

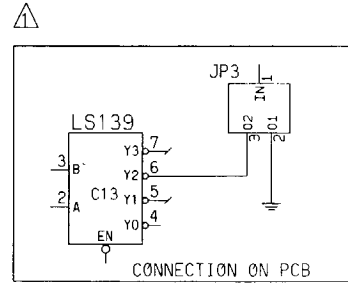
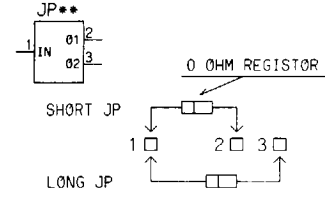


- NOTE -

- +5 VCC +5V
- ⊥ GND
- P1 □ DIN64PIN PLUG
- P2 □ CN2: DIN64PIN PLUG OR DIN48PIN PLUG
- P3 □ CN3: DIN64PIN PLUG
- P4 □ CN4: DIN64PIN PLUG

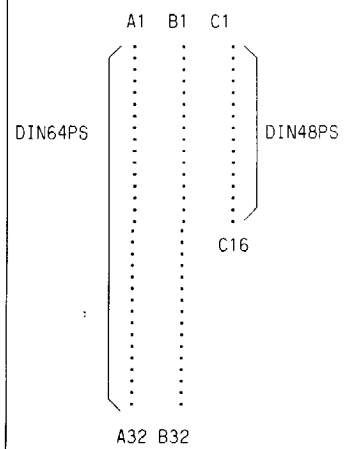
KIND OF CAPACITOR
E: ELECTROLYTIC

HOW TO USE JUMPER



• IF YOU USE THE 16BIT LOAD THEN YOU MUST TO REPAIR THIS CONNECTION

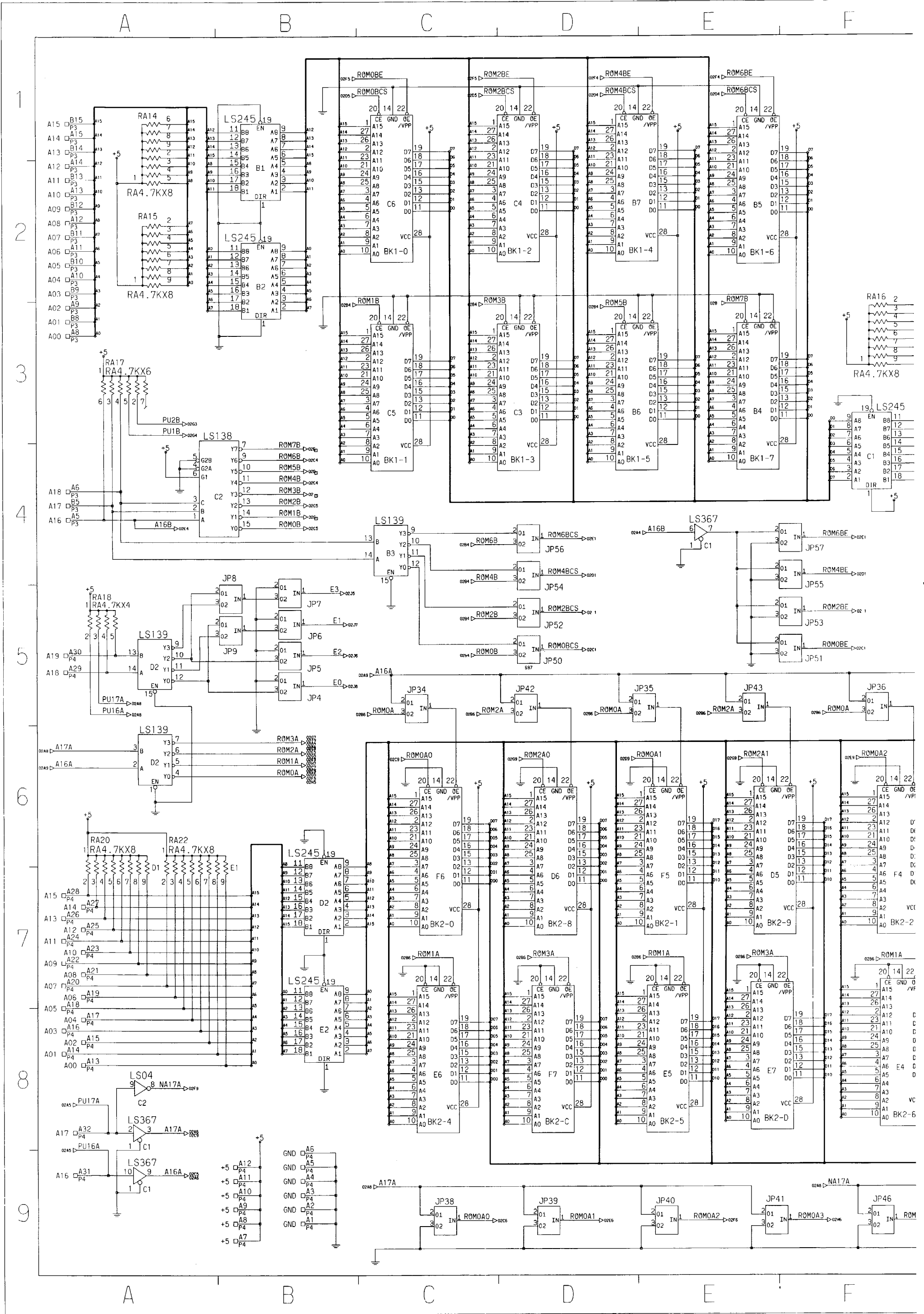
HOW TO USE P2 (CN2)

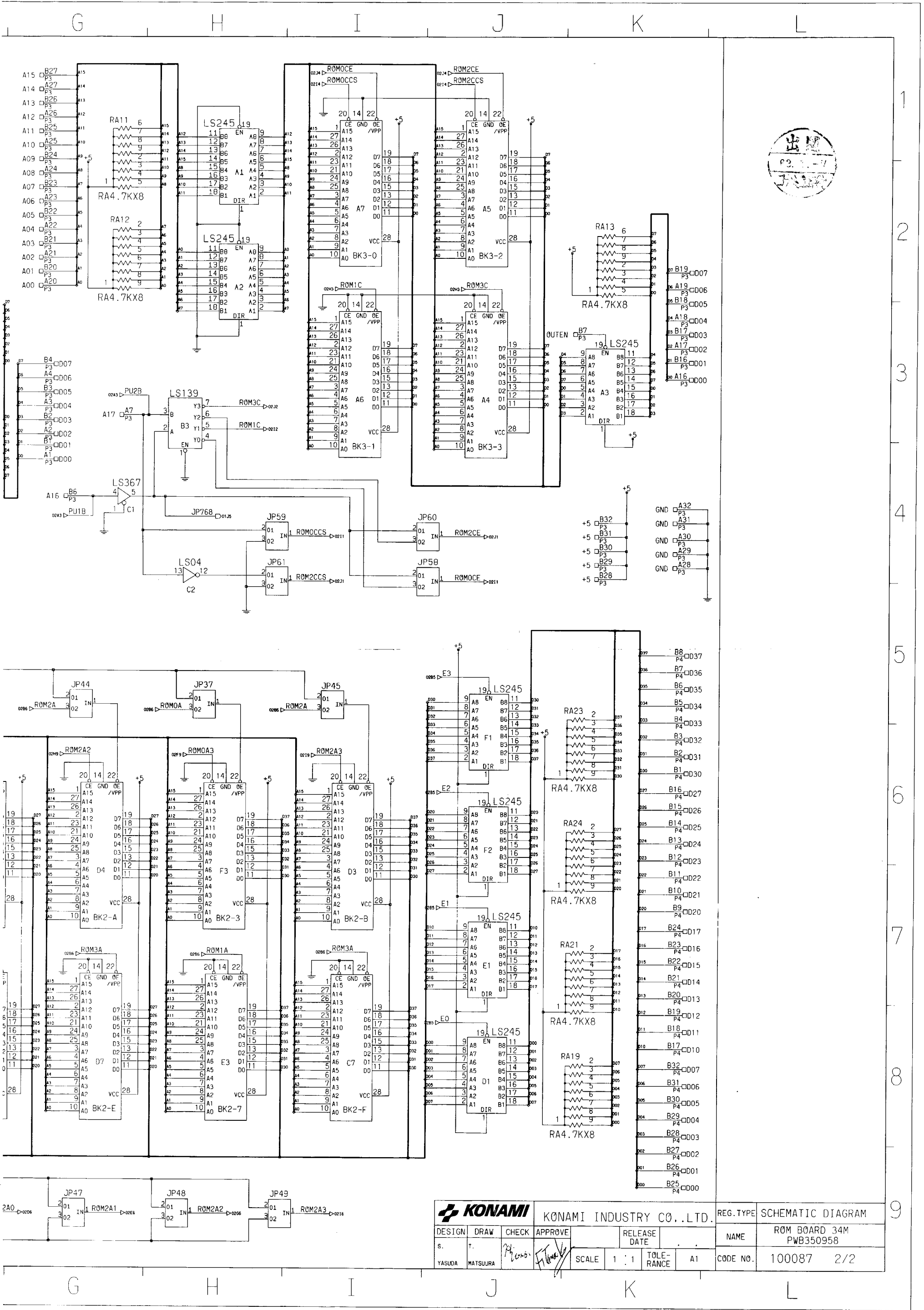


SUPER CONTRA

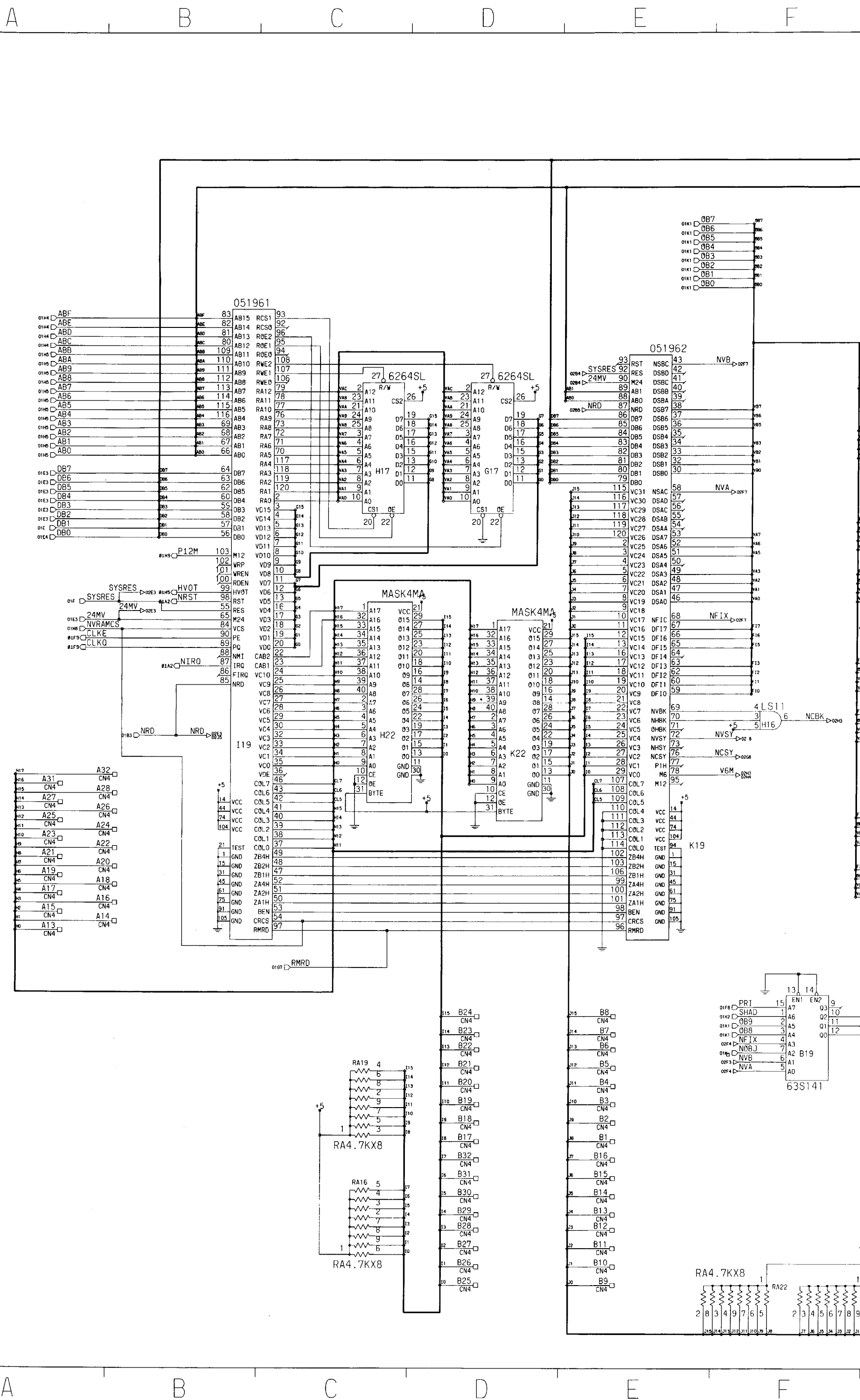
KONAMI				KONAMI INDUSTRY CO., LTD.				REG. TYPE	SCHEMATIC DIAGRAM
DESIGN	DRAW	CHECK	APPROVE	RELEASE DATE	NAME		ROM BOARD 34M PWB350958		
S.	T.			SCALE	1 : 1	TOLE-RANCE	A1	CODE NO. 100087 1/2	
YASUDA	MATSUURA								

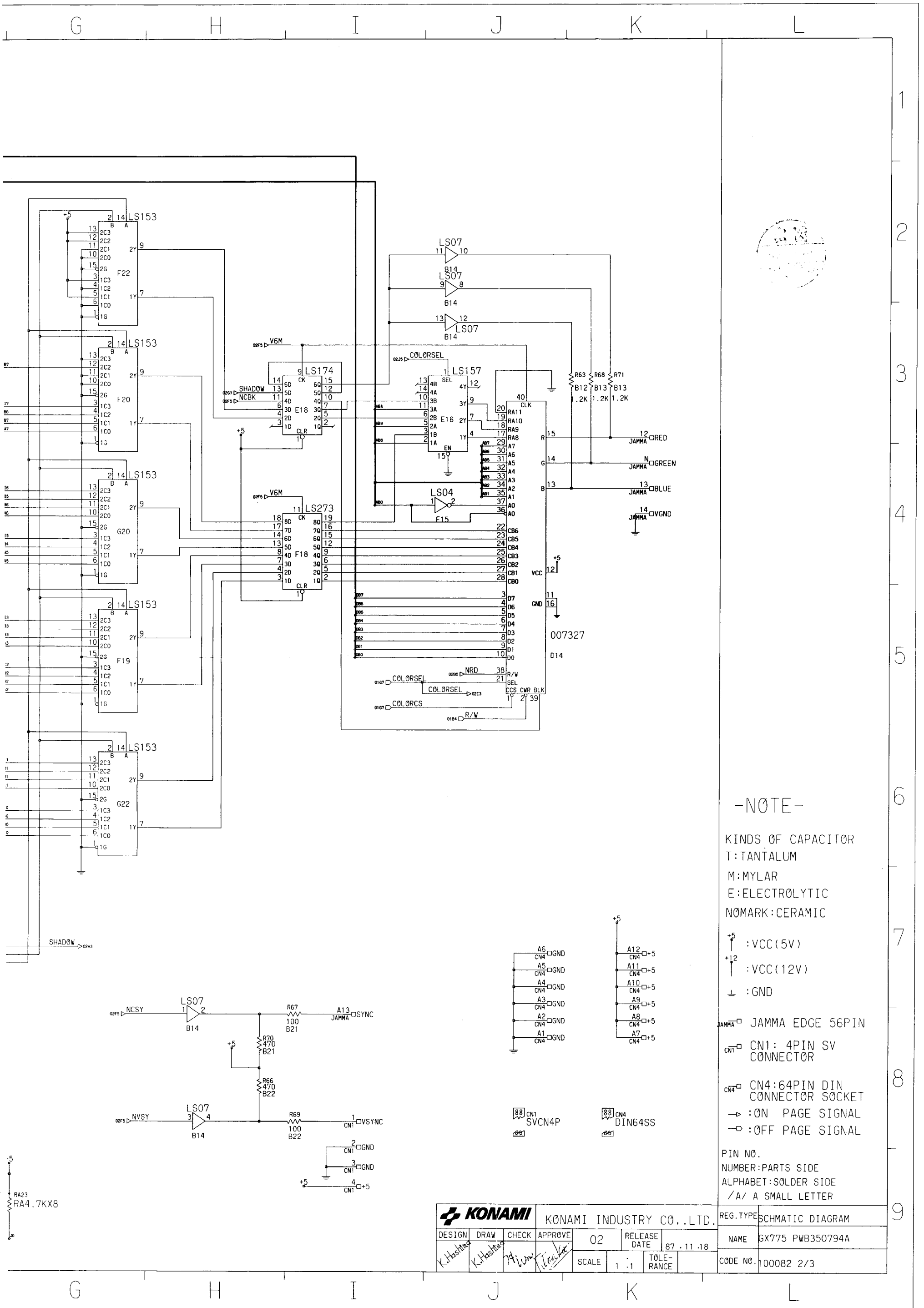
- 88 P1 DIN64PS
- 88 P2 DIN64PS
- 88 P2 DIN48PS
- 88 P3 DIN64PS
- 88 P4 DIN64PS





KONAMI				KONAMI INDUSTRY CO., LTD.		REG. TYPE	SCHEMATIC DIAGRAM
DESIGN	DRAW	CHECK	APPROVE	RELEASE DATE	NAME	ROM BOARD 34M PWB350958	
S. YASUDA	T. MATSUURA	<i>[Signature]</i>	<i>[Signature]</i>	SCALE 1:1	TOLE-RANCE A1	CODE NO.	100087 2/2





-NOTE-

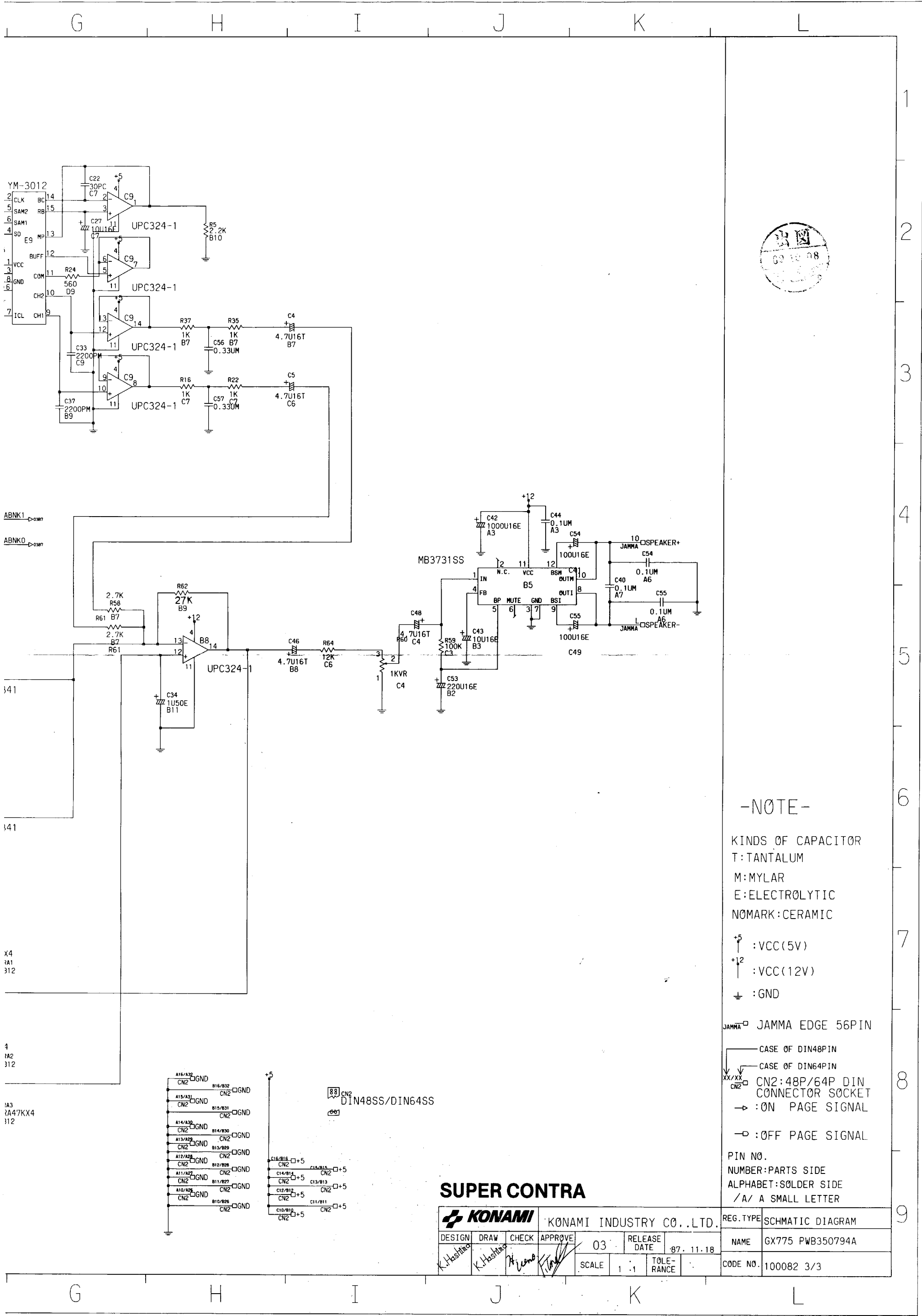
KINDS OF CAPACITOR
T:TANTALUM
M:MYLAR
E:ELECTROLYTIC
NOMARK:CERAMIC

+5 :VCC(5V)
+12 :VCC(12V)
⊥ :GND

JAMMA □ JAMMA EDGE 56PIN
CN1 □ CN1: 4PIN SV CONNECTOR
CN4 □ CN4:64PIN DIN CONNECTOR SOCKET
→ :ON PAGE SIGNAL
◊ :OFF PAGE SIGNAL

PIN NO.
NUMBER:PARTS SIDE
ALPHABET:SOLDER SIDE
/A/ A SMALL LETTER

KONAMI				KONAMI INDUSTRY CO.,LTD.		REG.TYPE	SCHMATIC DIAGRAM
DESIGN	DRAW	CHECK	APPROVE	02	RELEASE DATE	NAME	GX775 PWB350794A
K.Hashida	K.Hashida	M.W.	T.K.	SCALE	1:1	TOLE-RANCE	CODE NO. 100082 2/3



-NOTE-

KINDS OF CAPACITOR
 T:TANTALUM
 M:MYLAR
 E:ELECTROLYTIC
 NØMARK:CERAMIC

+5 :VCC(5V)
 +12 :VCC(12V)
 ± :GND

JAMMA □ JAMMA EDGE 56PIN

— CASE OF DIN48PIN
 — CASE OF DIN64PIN

XX/XX □ CN2:48P/64P DIN CONNECTOR SOCKET
 → :ON PAGE SIGNAL
 —○ :OFF PAGE SIGNAL

PIN NO.
 NUMBER:PARTS SIDE
 ALPHABET:ØOLDER SIDE
 /A/ A SMALL LETTER

ABNK1 → 0387
 ABNK0 → 0387

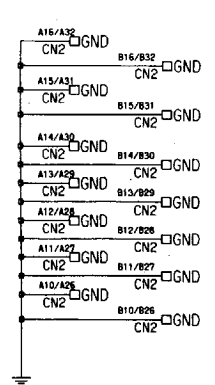
341

341

X4
 3A1
 312

4
 3A2
 312

3A3
 3A47KX4
 312



88 CN2
 DIN48SS/DIN64SS

SUPER CONTRA

				KONAMI INDUSTRY CO.,LTD.	
DESIGN	DRAW	CHECK	APPROVE	03	RELEASE DATE
K.Hashino	K.Hashino	Hizano	K.Hashino		87. 11. 18
SCALE				1 : 1	TOLERANCE

REG. TYPE	SCHMATIC DIAGRAM
NAME	GX775 PWB350794A
CODE NO.	100082 3/3

USER INFORMATION
WARNING
F. C. C. REGULATION COMPLIANCE

THIS KIT IS INTENDED FOR USE ONLY ON COIN-OPERATED VIDEO GAMES MANUFACTURED AFTER OCTOBER 1, 1983 WHICH HAVE BEEN VERIFIED FOR COMPLIANCE WITH REQUIREMENTS IN PART 15 OF F.C.C. RULES FOR A CLASS A COMPUTING DEVICE.

IMPROPER CONNECTION OF THIS KIT OR CONNECTION TO ANY OTHER GAME NOT SO MANUFACTURED OR VERIFIED FOR COMPLIANCE MAY CAUSE UNACCEPTABLE INTERFERENCE TO RADIO AND T.V. RECEPTION, REQUIRING THE OPERATOR TO TAKE WHATEVER STEPS ARE NECESSARY TO CORRECT THE INTERFERENCE.

THE P.C. BOARD CAGE SUPPLIED WITH THIS CONVERSION KIT MUST BE UTILIZED AND TERMINATED TO GROUND AT THE TIME OF INSTALLATION.



815 Mittel Drive, Wood Dale, Illinois 60191
Telephone: (312) 595-1443, Telex: 6871385 KONAM UW, Fax: (312) 595-2973