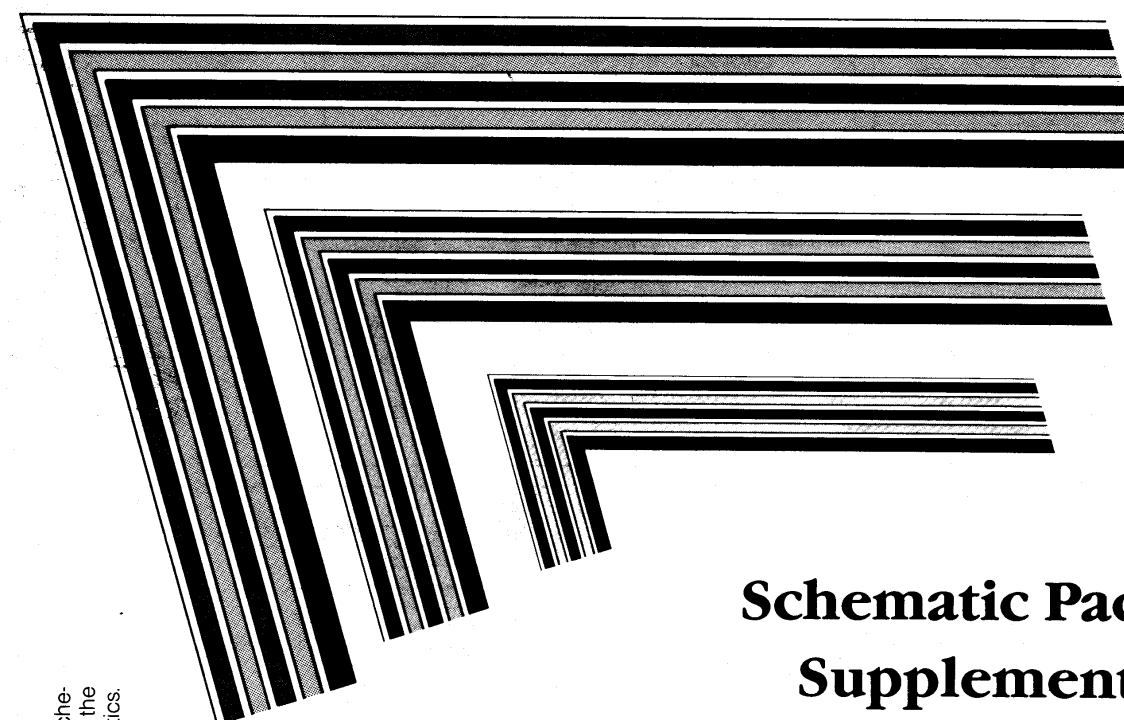


# Table of Contents

Table of Contents .....	Sheet 1A
TX-1 Main Wiring Diagram (042048-01 A) .....	Sheet 1B
TX-1 Audio PCB Schematic Diagram (042016-01 A) .....	Sheet 2A
TX-1 Power Supply Wiring Diagram (042080-01 A) .....	Sheet 2B
TX-1 12 V Power Supply Wiring Diagram (A042033-01 A) .....	Sheet 3A
TX-1 Game Interfaces .....	Sheet 3B
Fluorescent Light Wiring Diagram (035833-01 A)	
Coin Door Wiring Diagram (A037542-01 E)	
Utility Panel Wiring Diagram (A038004-01 F)	
TX-1 Main PCB Schematic Diagrams (A0420018-21 A) .....	Sheets 1-13
TX-1 Graphics PCB Schematic Diagrams (A042019-21 A) .....	Sheets 1-15
TX-1 Sound PCB Schematic Diagrams (A042020-21 A) .....	Sheets 1-4
TX-1 EMI Shield PCB Schematic Diagram (A042403-01 A) .....	Sheet 1

**NOTE**

This staple temporarily holds the schematic package together. Remove the staple before using these schematics.



## Schematic Package Supplement to



## Operators Manual

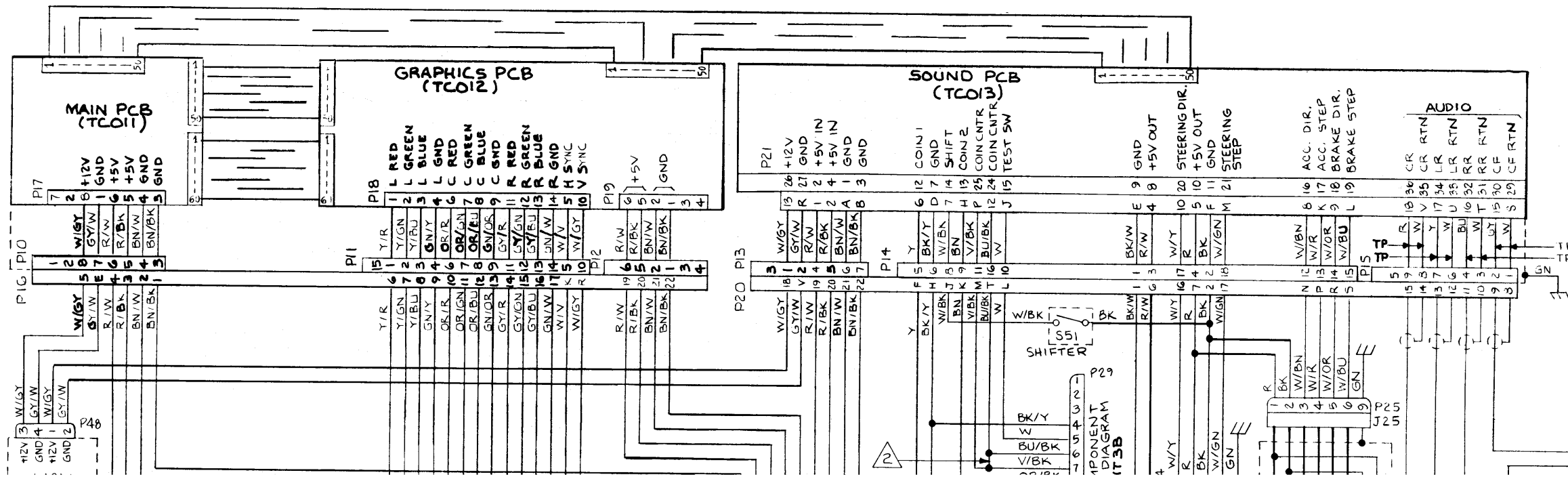
\*TX-1 is created by Tatsumi, manufactured by Atari, Inc. TM and © Namco 1983 in Western Hemisphere. All rights reserved. TM and © Taito 1983 in entire world except Japan and Western Hemisphere. All rights reserved.

3N



A Warner Communications Company

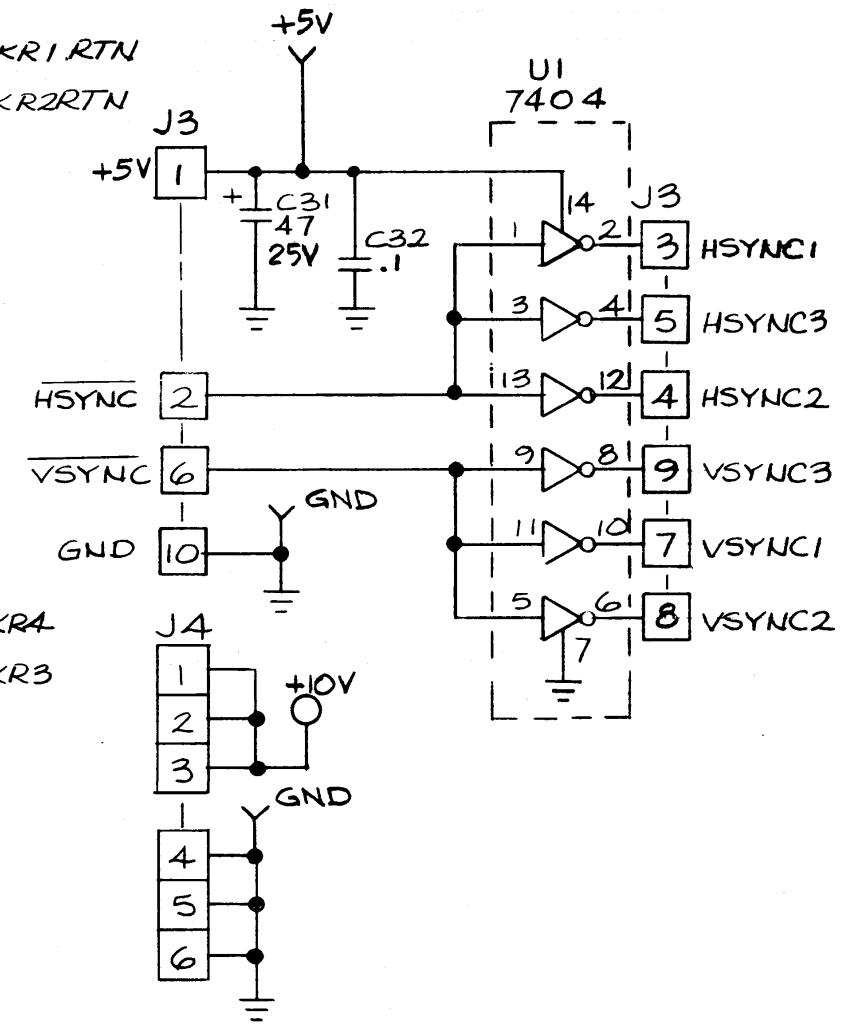
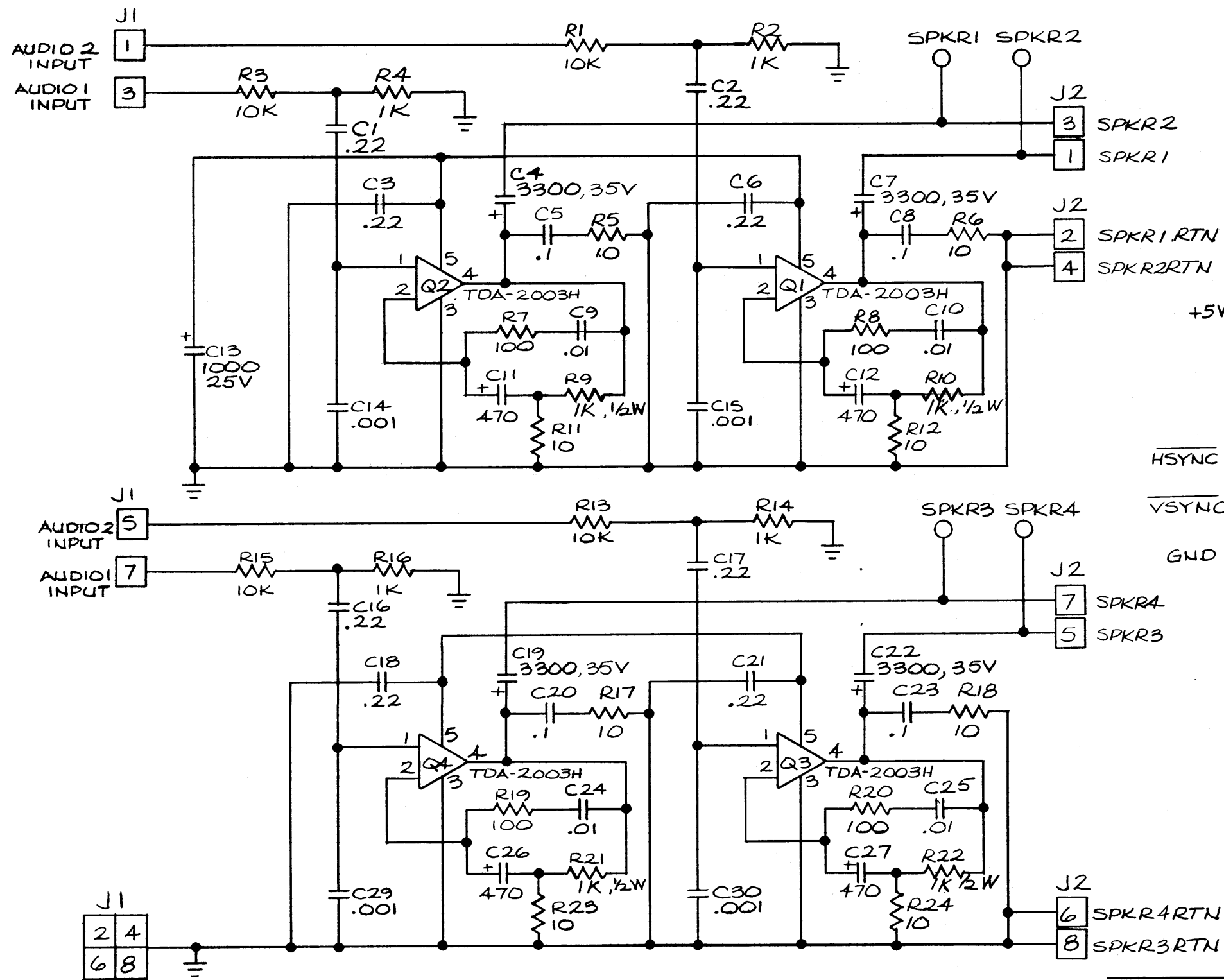
SP-262 Sheet 1A  
1st printing



NOTES:

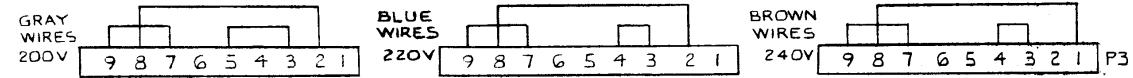
- FOR EIRE: SEE STEP-DOWN TRANSFORMER.
- JUMPER FROM P29-6 TO P29-7 CUT FOR DUAL COIN COUNTERS (EIRE BUILD).

VOLUME CONTROL

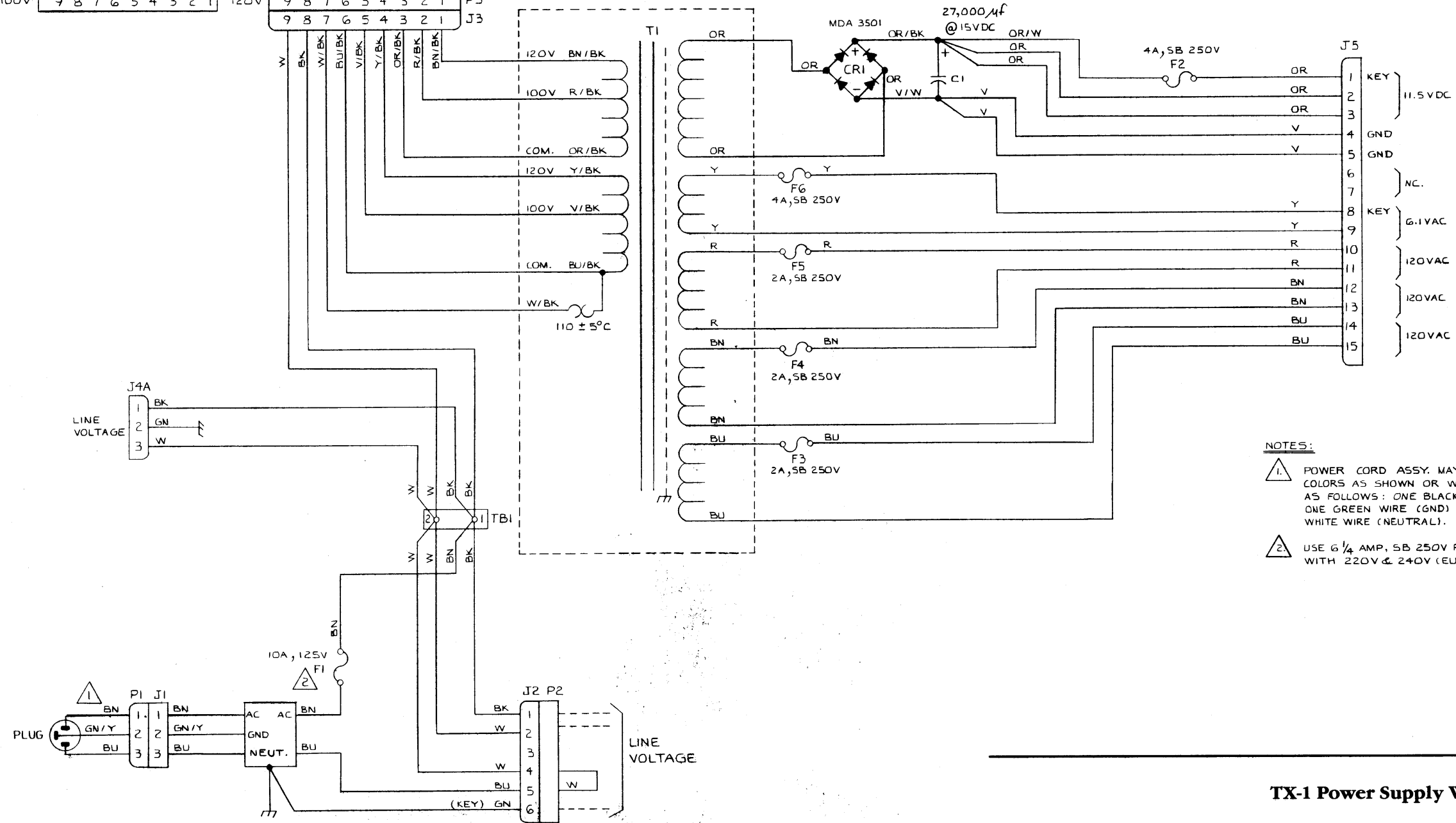
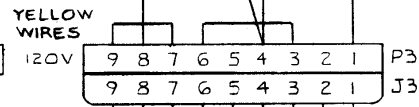
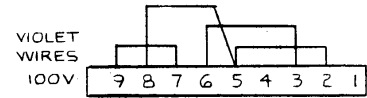


TX-1 Audio PCB Schematic Diagram



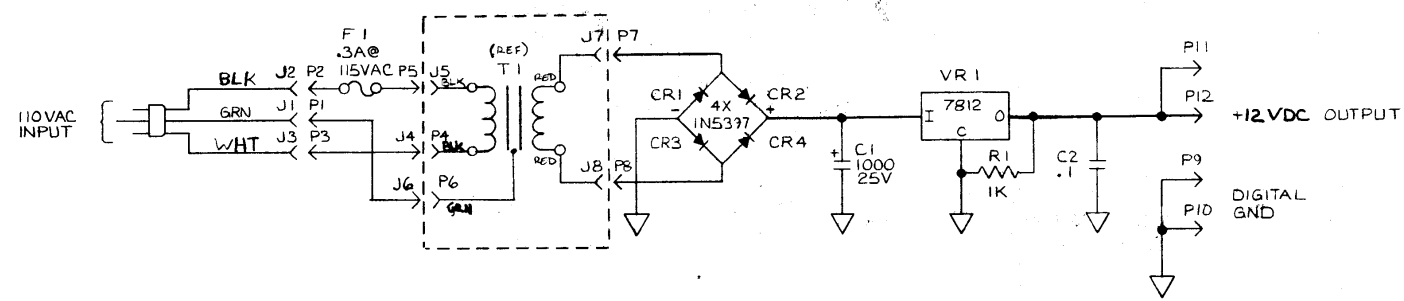


VOLTAGE SECTION BLOCKS



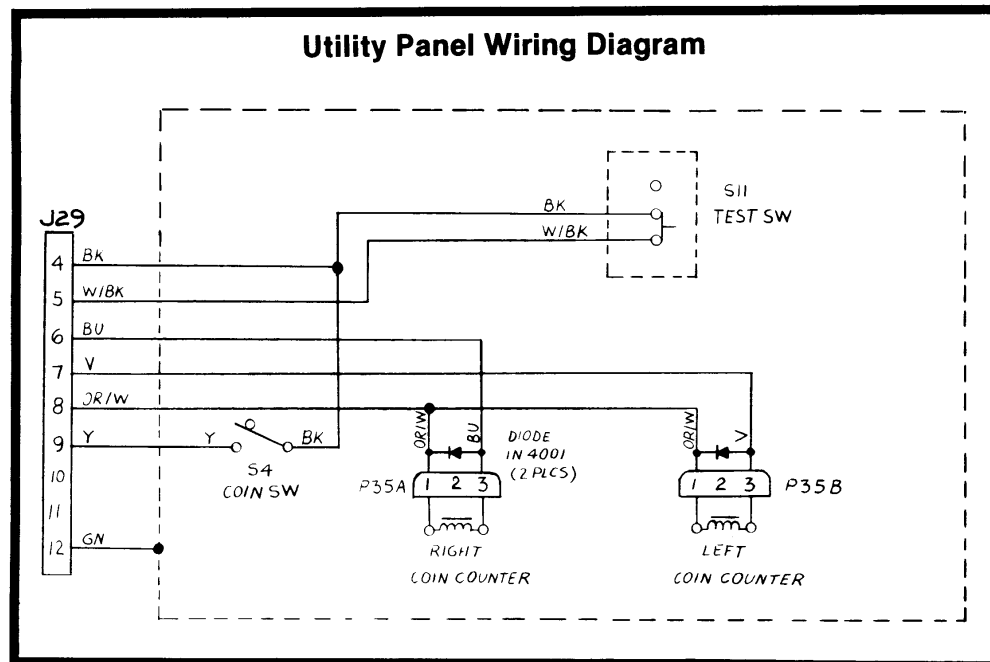
- NOTES:
- 1. POWER CORD ASSY. MAY HAVE WIRE COLORS AS SHOWN OR WIRE COLORS AS FOLLOWS: ONE BLACK WIRE (AC), ONE GREEN WIRE (GND) AND ONE WHITE WIRE (NEUTRAL).
  - 2. USE 6 1/4 AMP, 5B 250V FUSE AT F1 WITH 220V & 240V (EUROPEAN ONLY).

TX-1 Power Supply Wiring Diagram

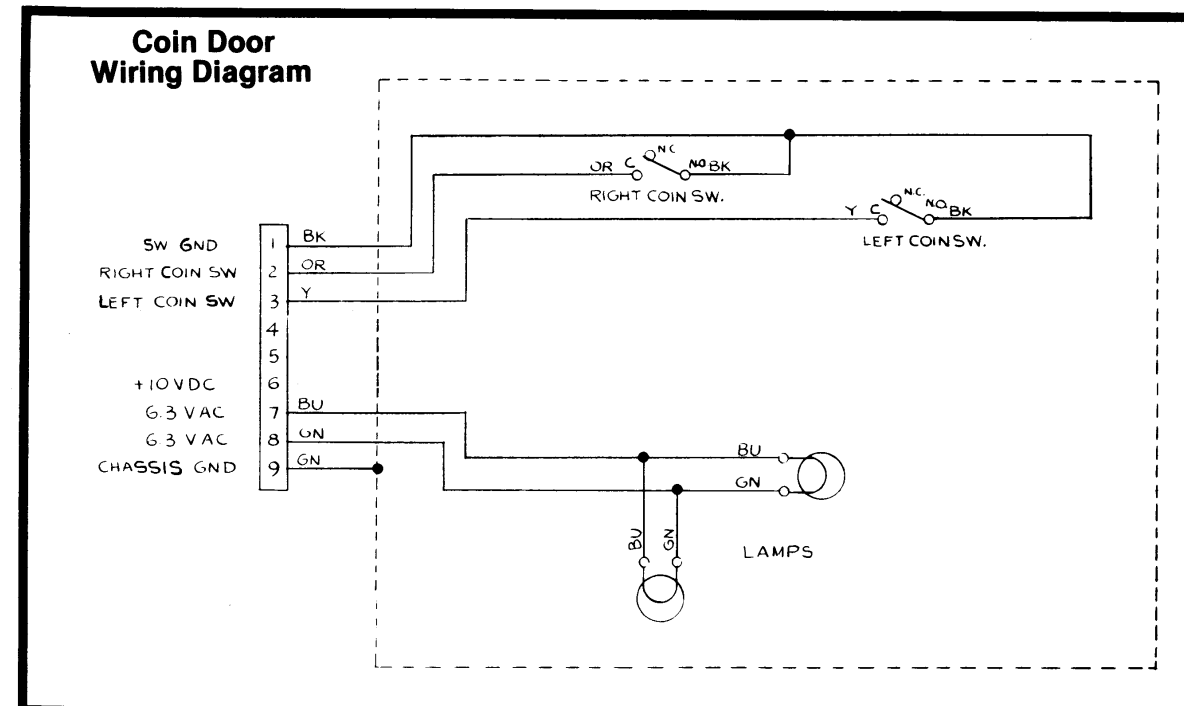


**TX-1 12V Power Supply Wiring Diagram**

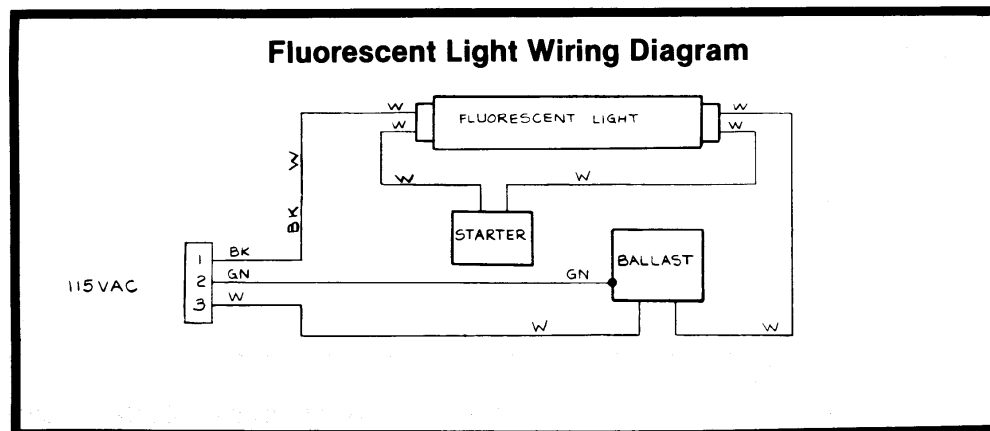
**Utility Panel Wiring Diagram**



**Coin Door Wiring Diagram**



**Fluorescent Light Wiring Diagram**

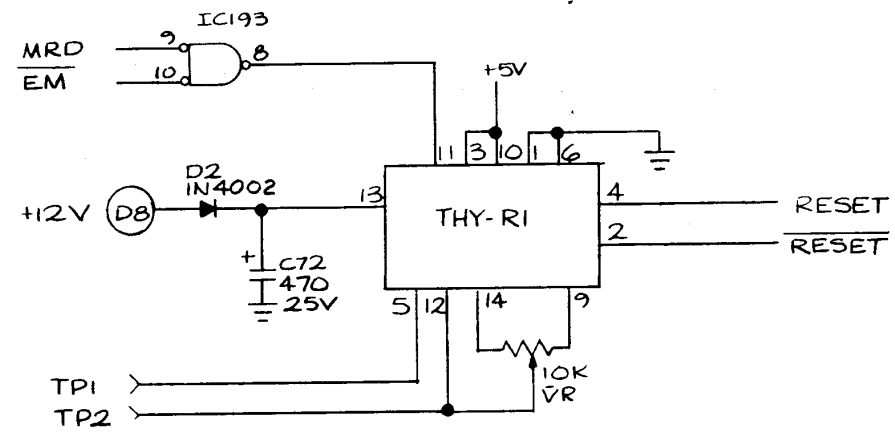
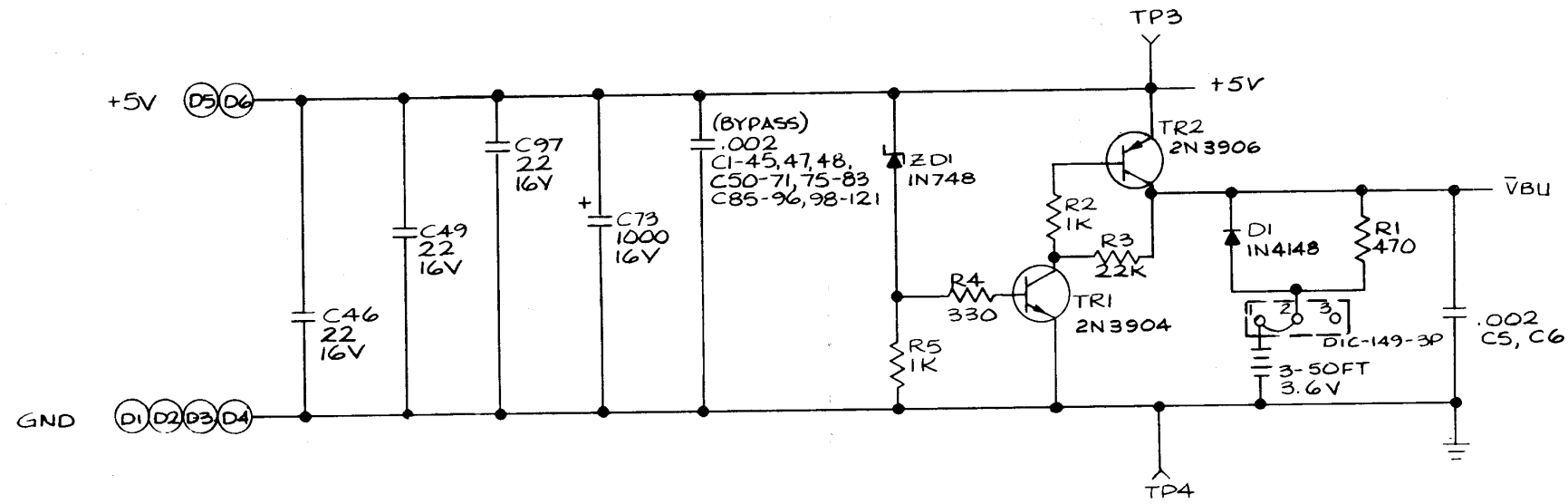


**TX-1 Game Interfaces**



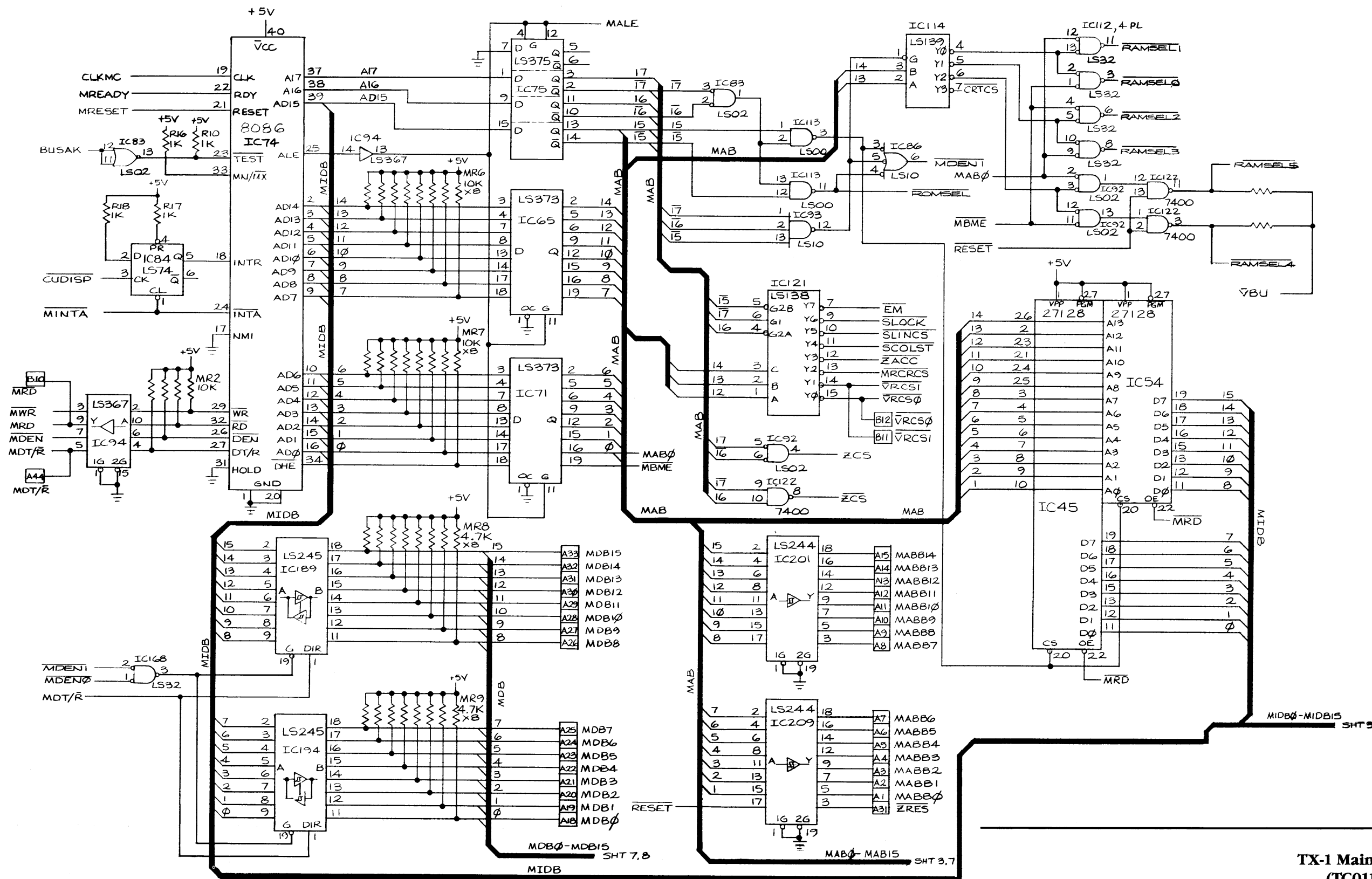
© ATARI INC. 1984

SP-262 Sheet 3B  
1st printing



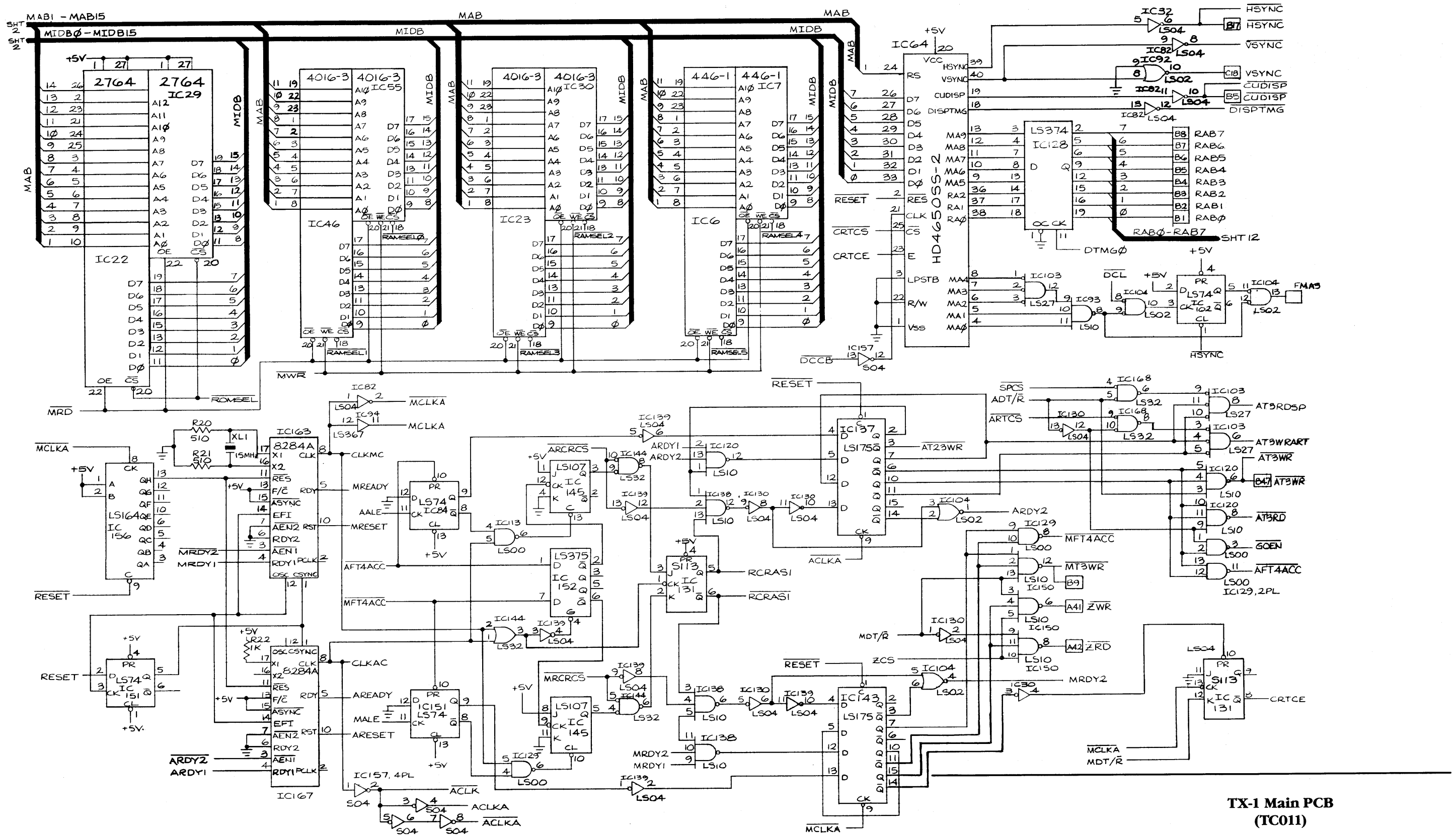
**TX-1 Main PCB  
(TC011)**



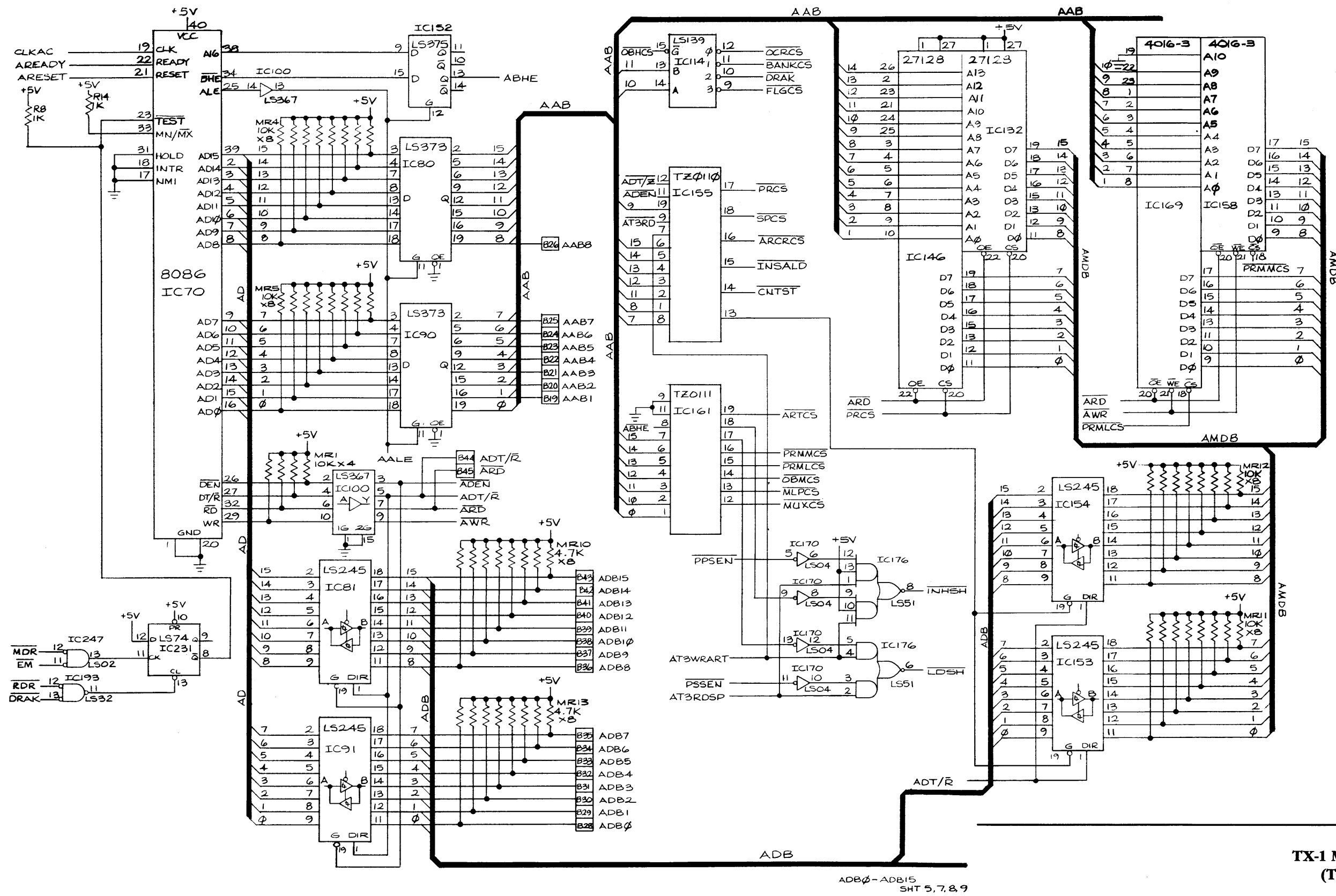


TX-1 Main PCB  
(IC011)



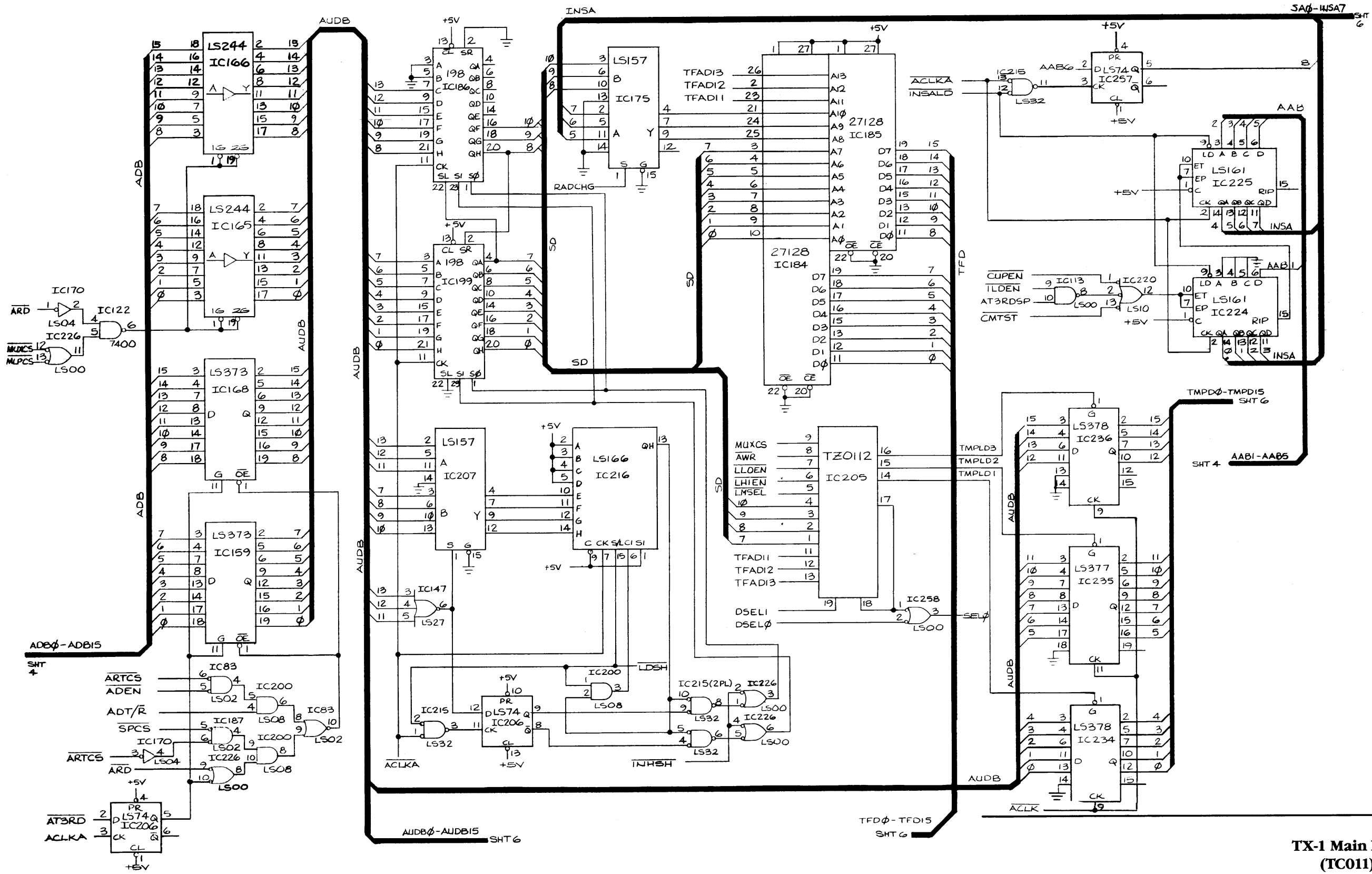


TX-1 Main PCB (TC011)



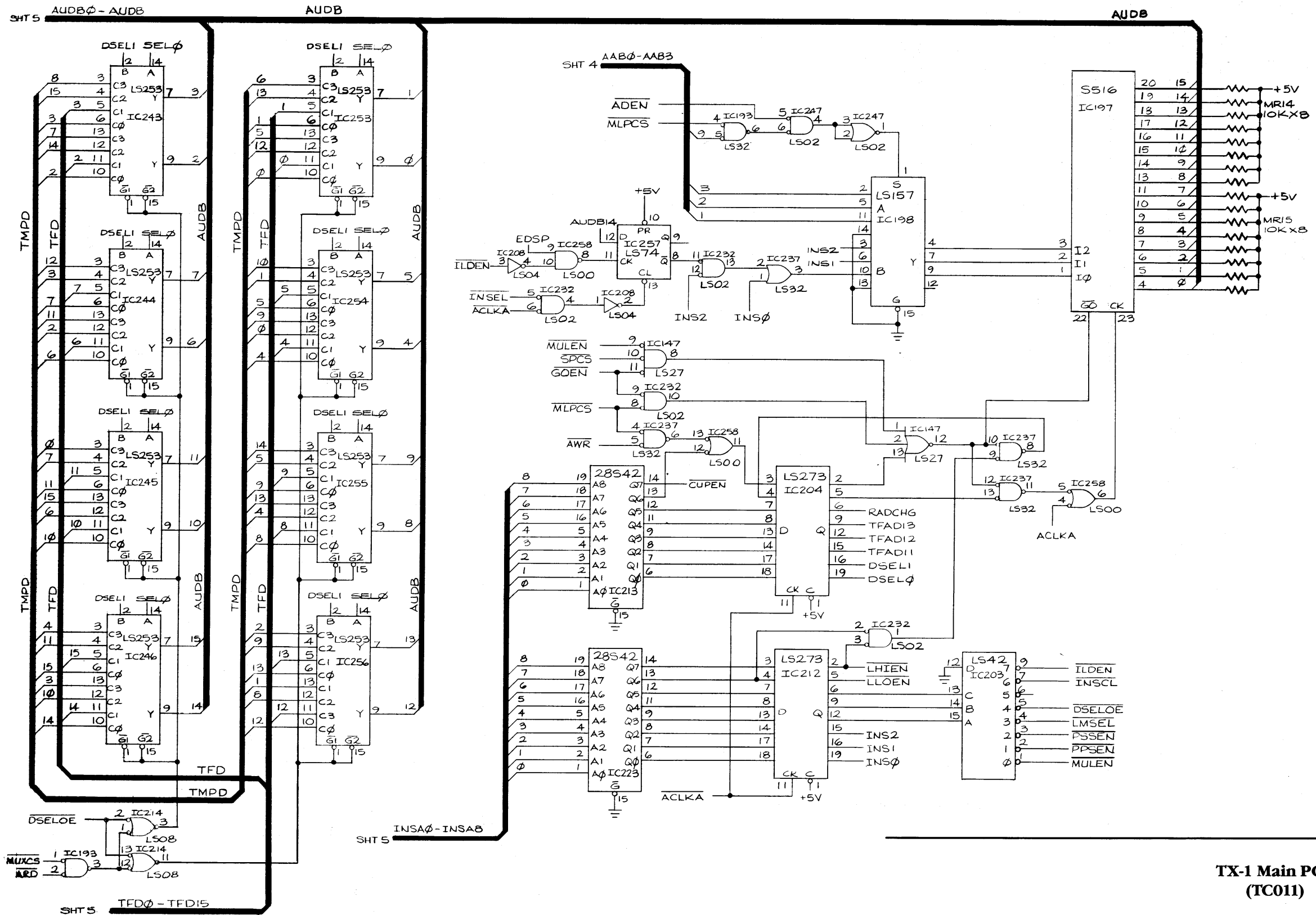
TX-1 Main PCB  
(TC011)

ADB $\emptyset$ -ADB15  
SHT 5, 7, 8, 9

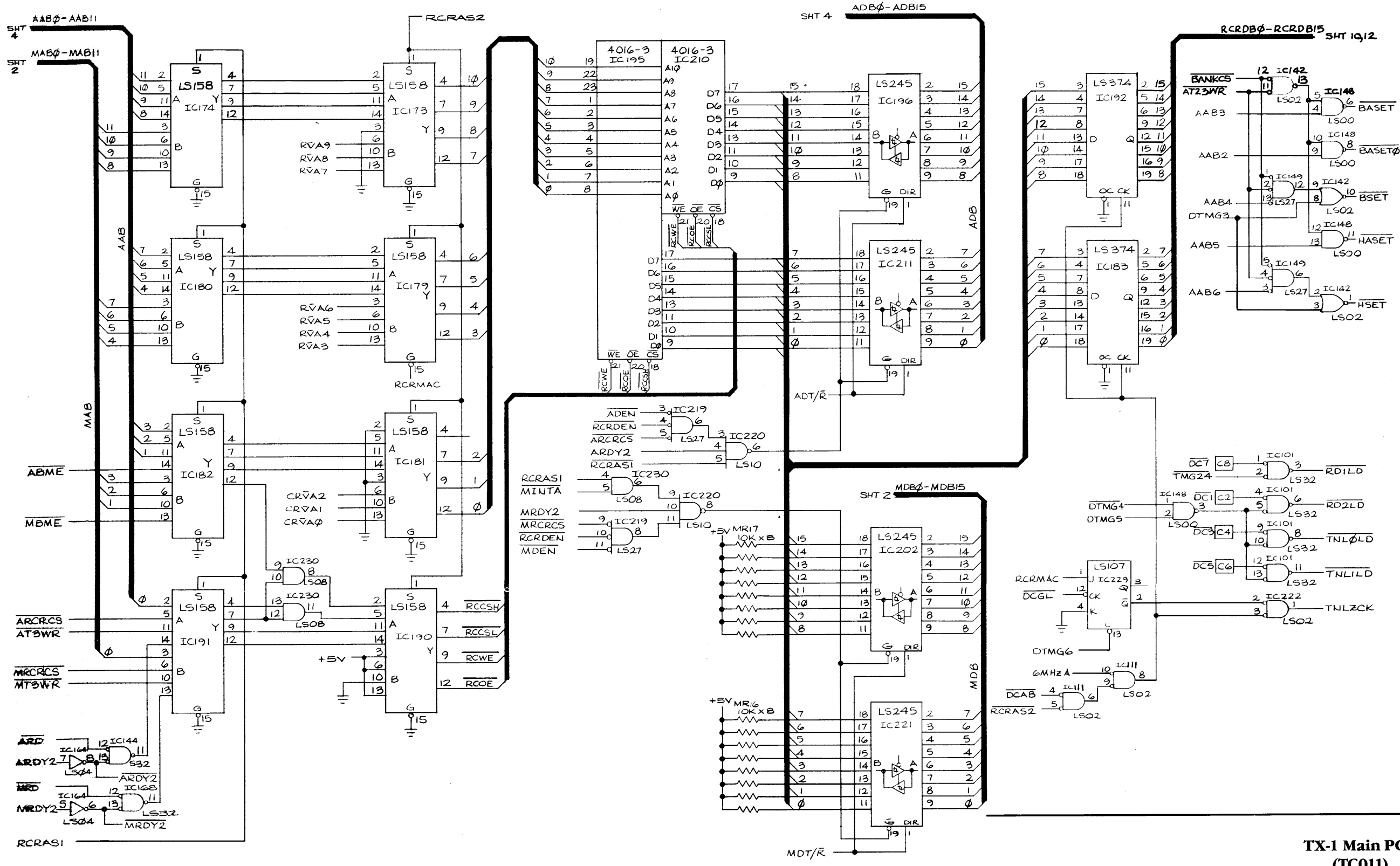


TX-1 Main PCB  
(TC011)

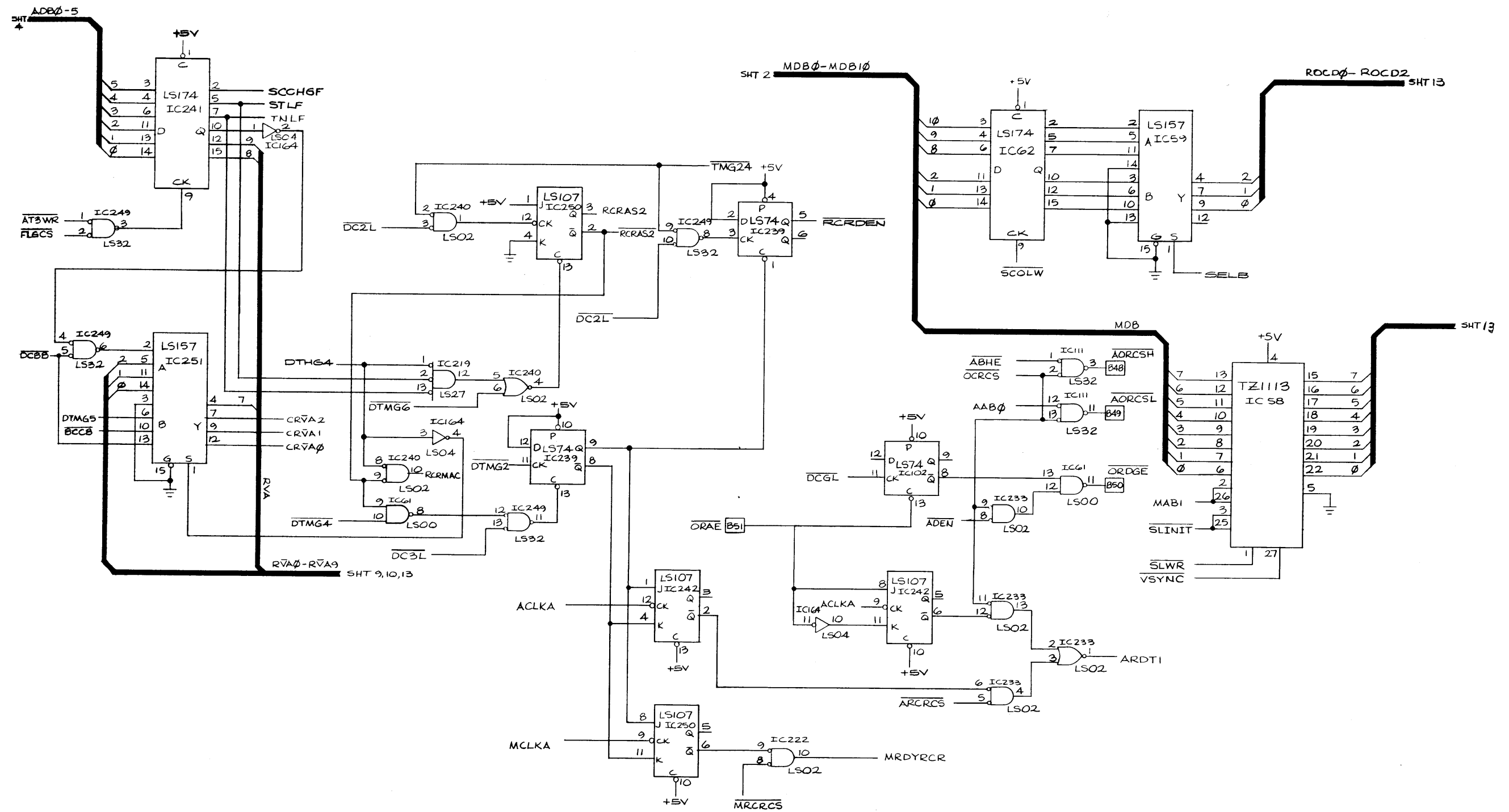




TX-1 Main PCB  
(TC011)

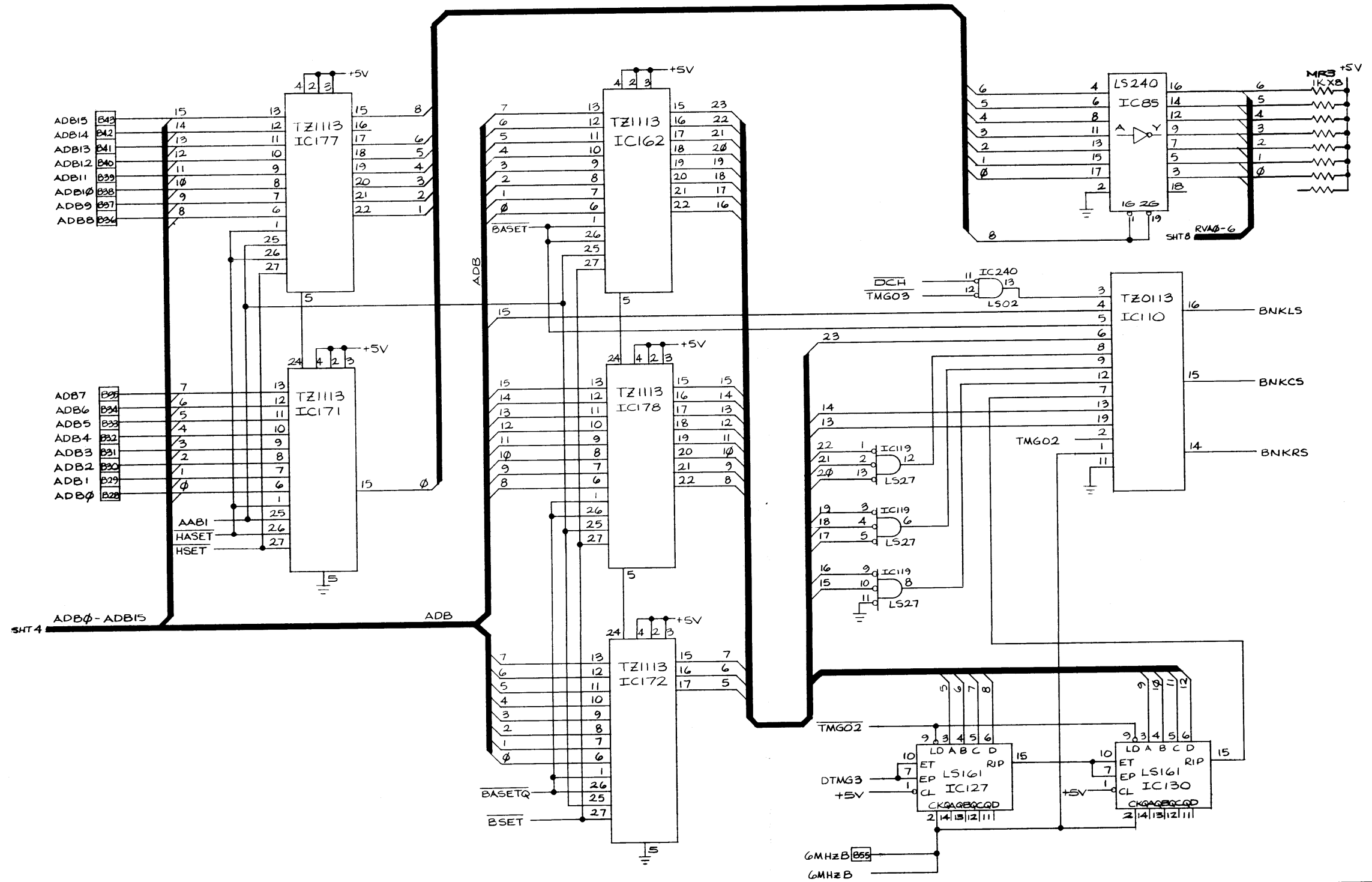


TX-1 Main PCB  
(TC011)



TX-1 Main PCB  
(TC011)

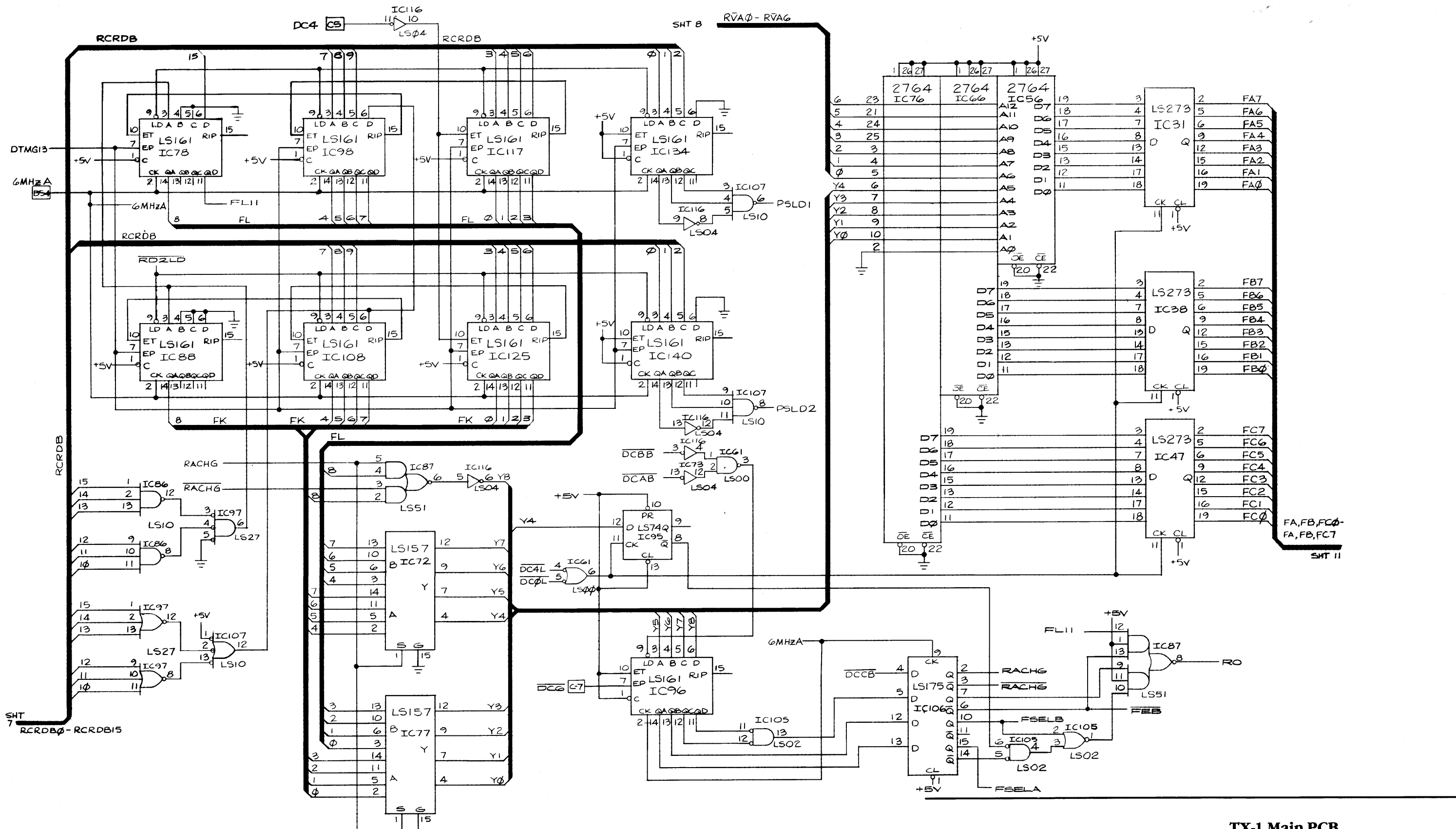




**TX-1 Main PCB  
(TC011)**



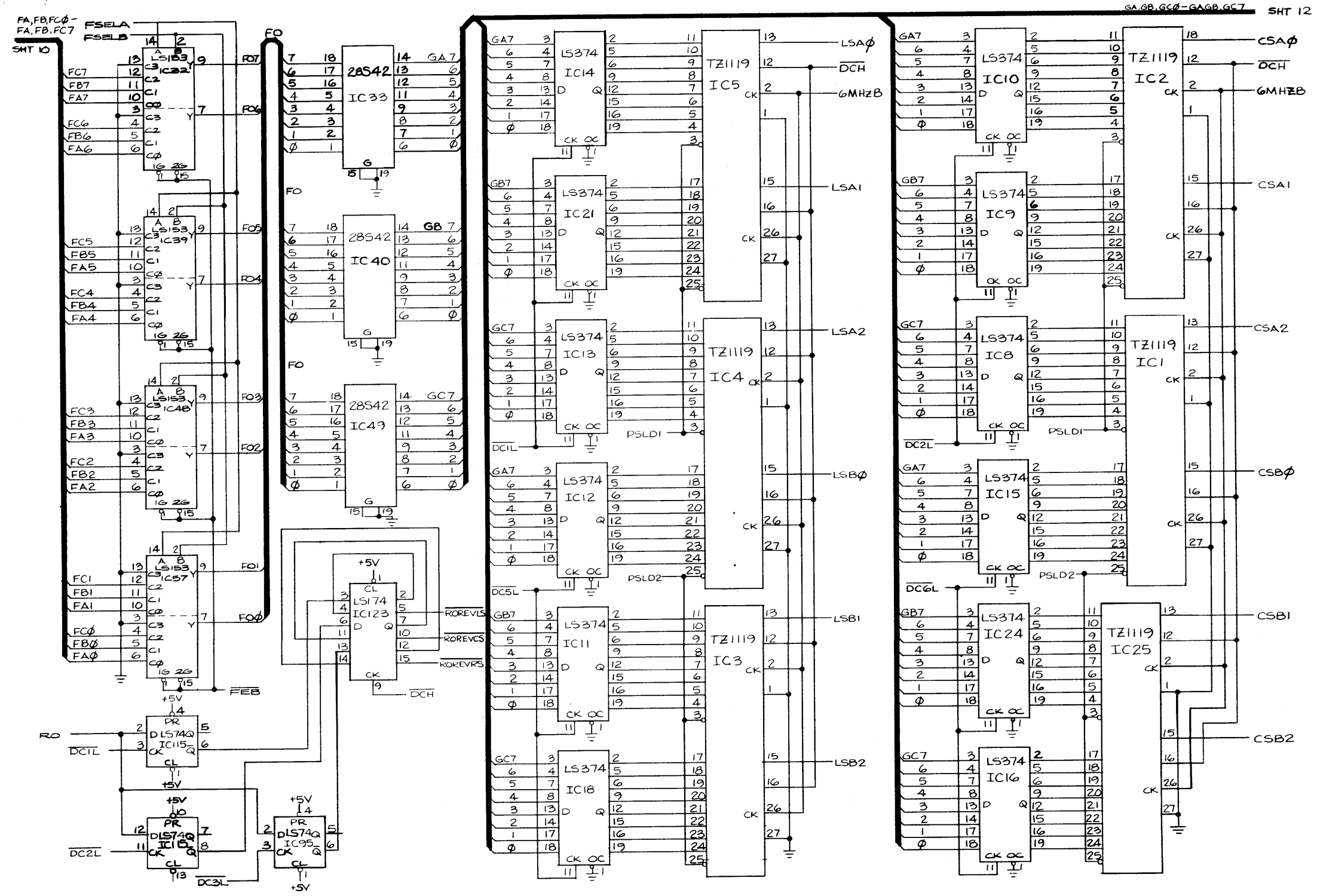
A Warner Communications Company



**TX-1 Main PCB  
(TC011)**







TX-1 Main PCB  
(IC011)

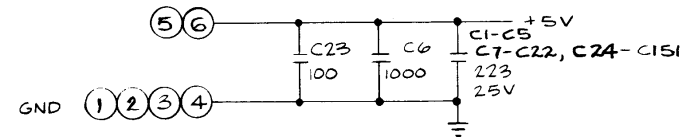




**TX-1 Main PCB  
(TC011)**



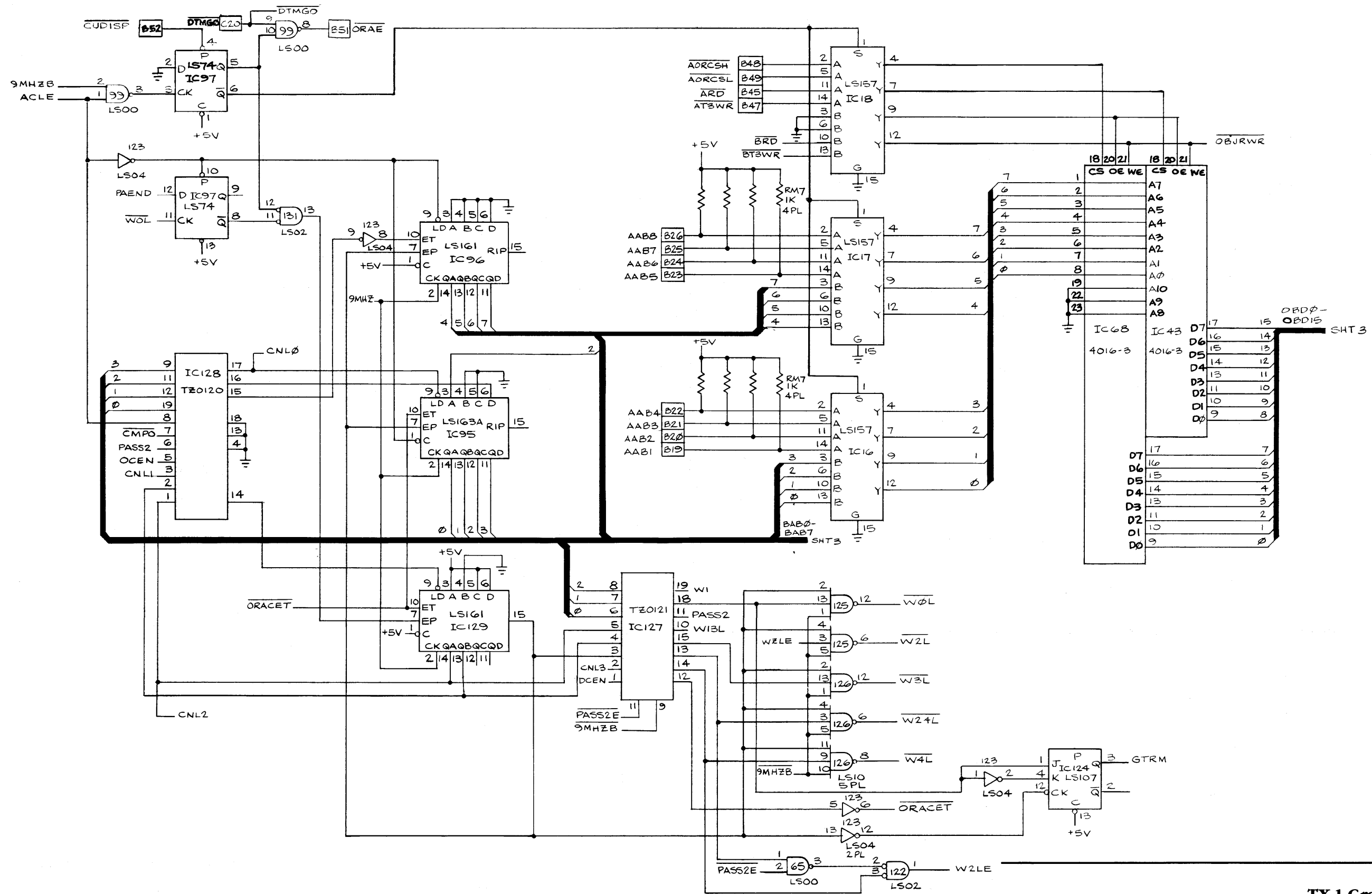





---

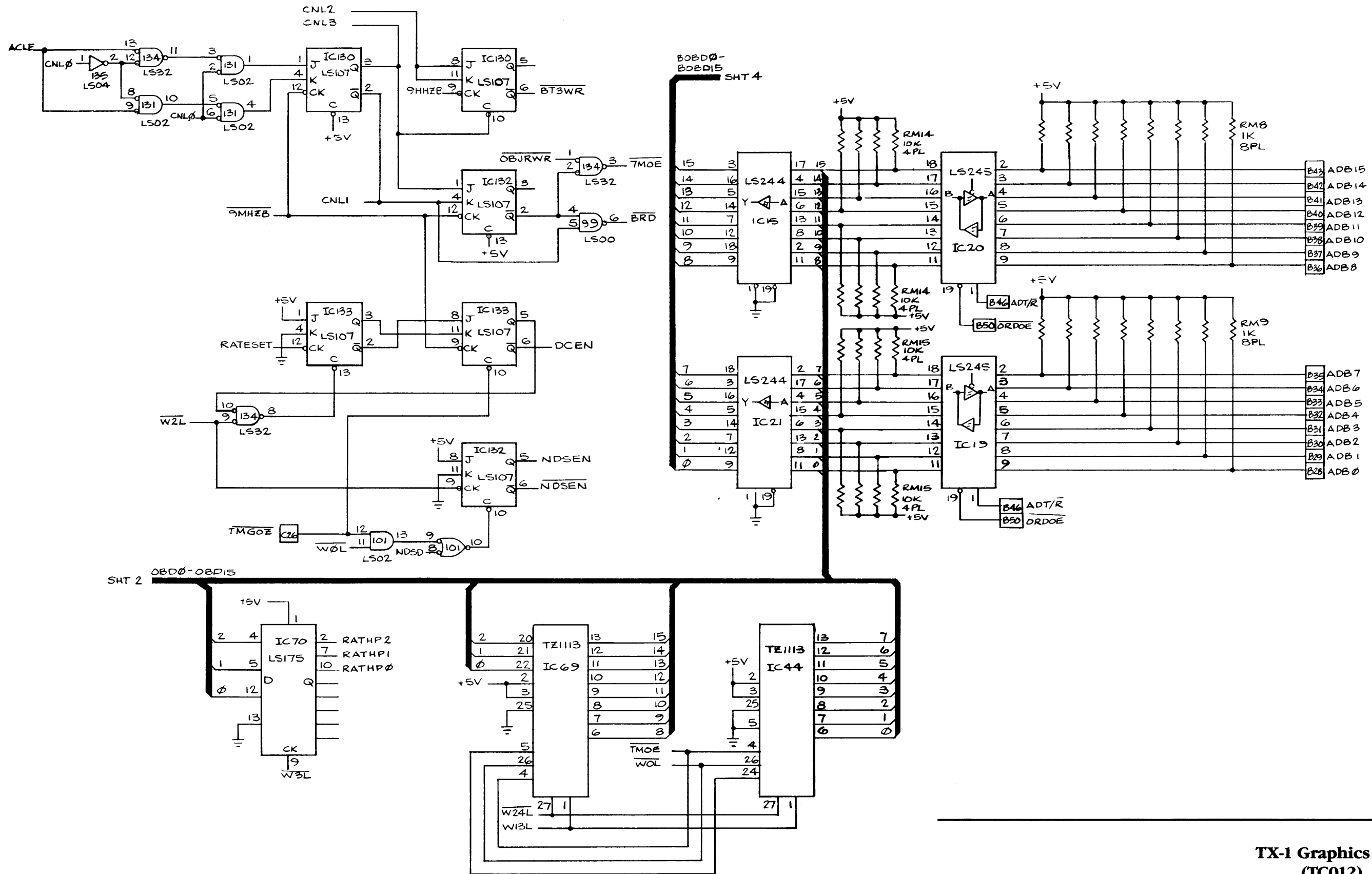
**TX-1 Graphics PCB  
(TC012)**





**TX-1 Graphics PCB  
(TC012)**

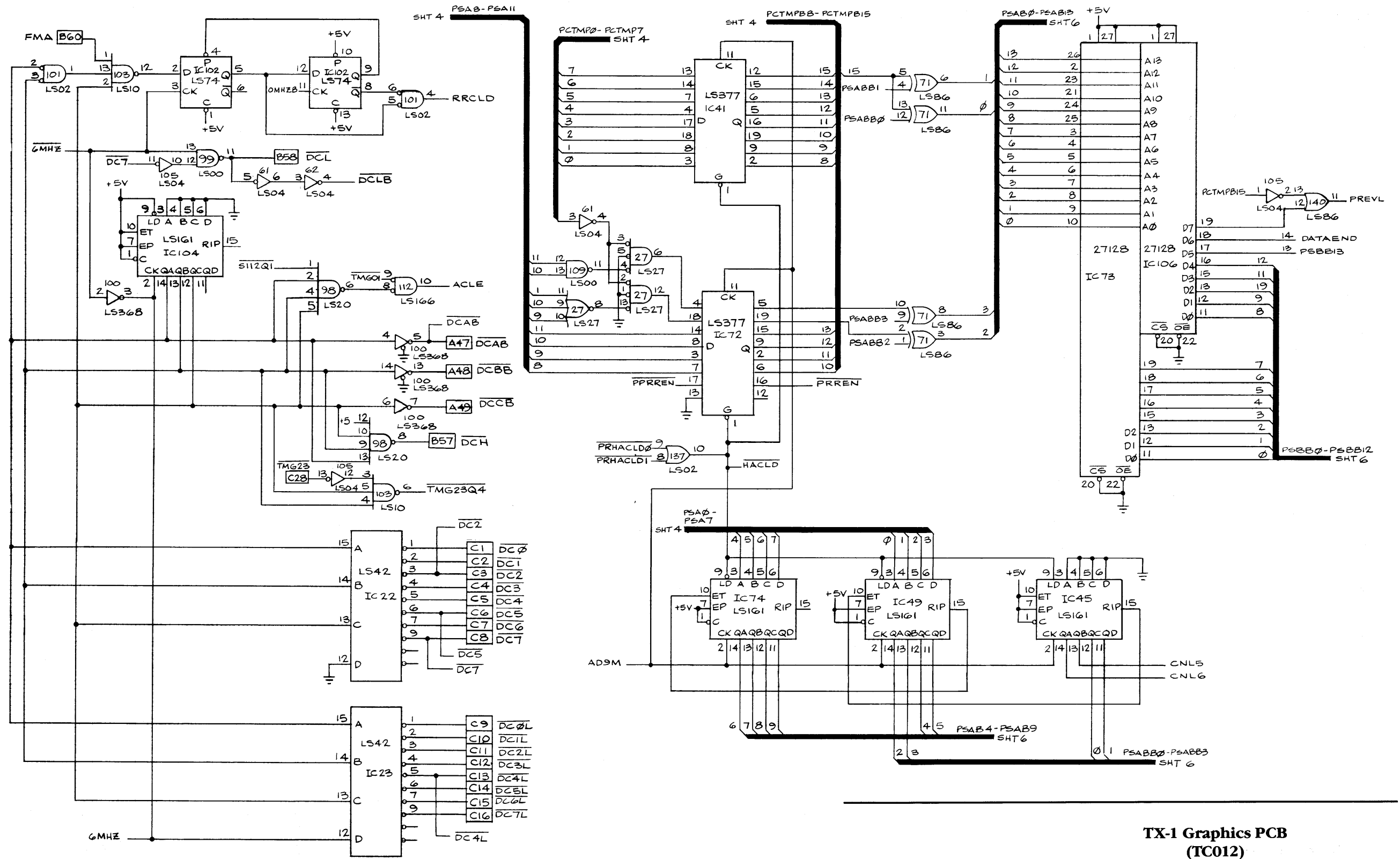




**TX-1 Graphics PCB  
(TC012)**



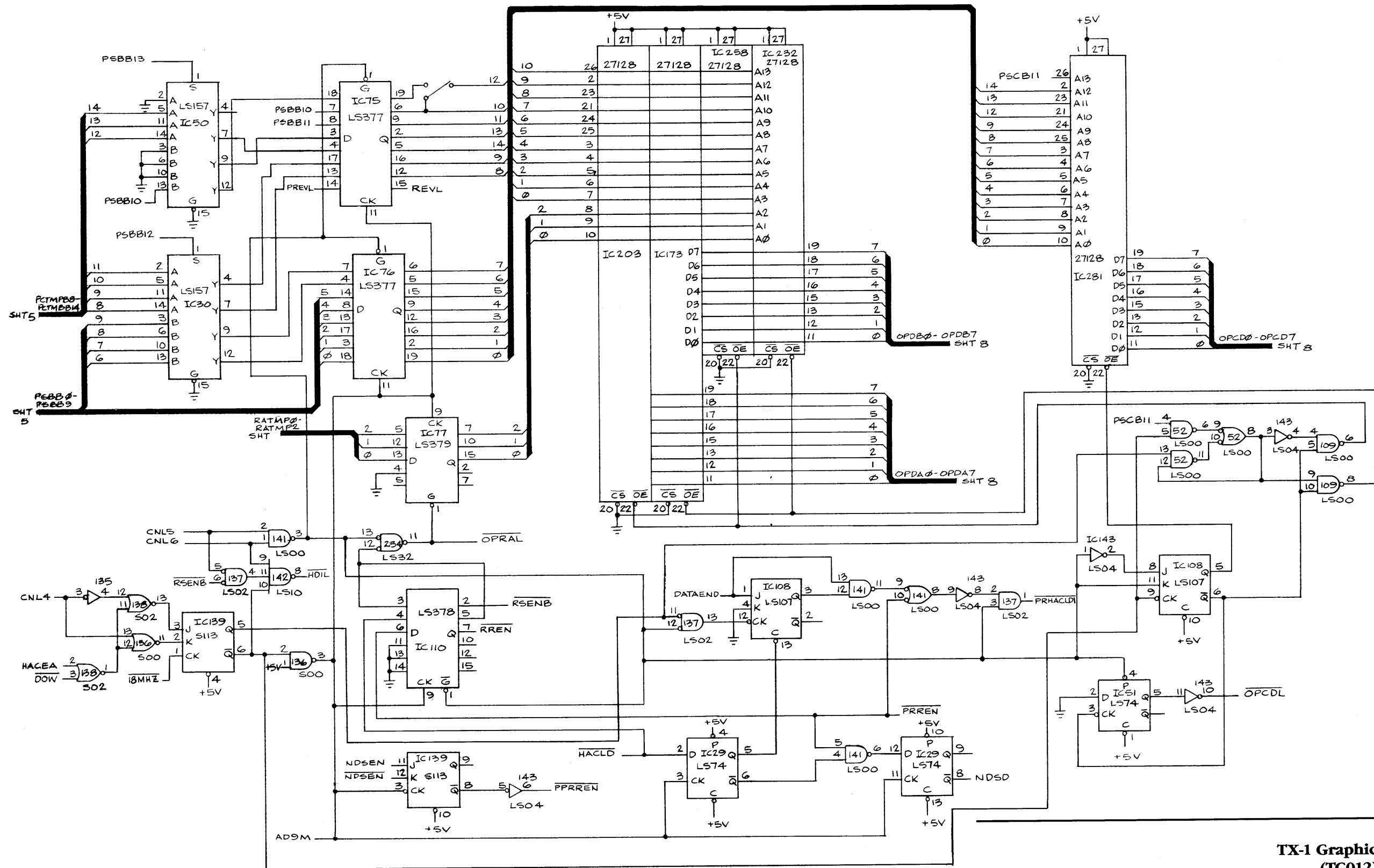




**TX-1 Graphics PCB  
(TC012)**

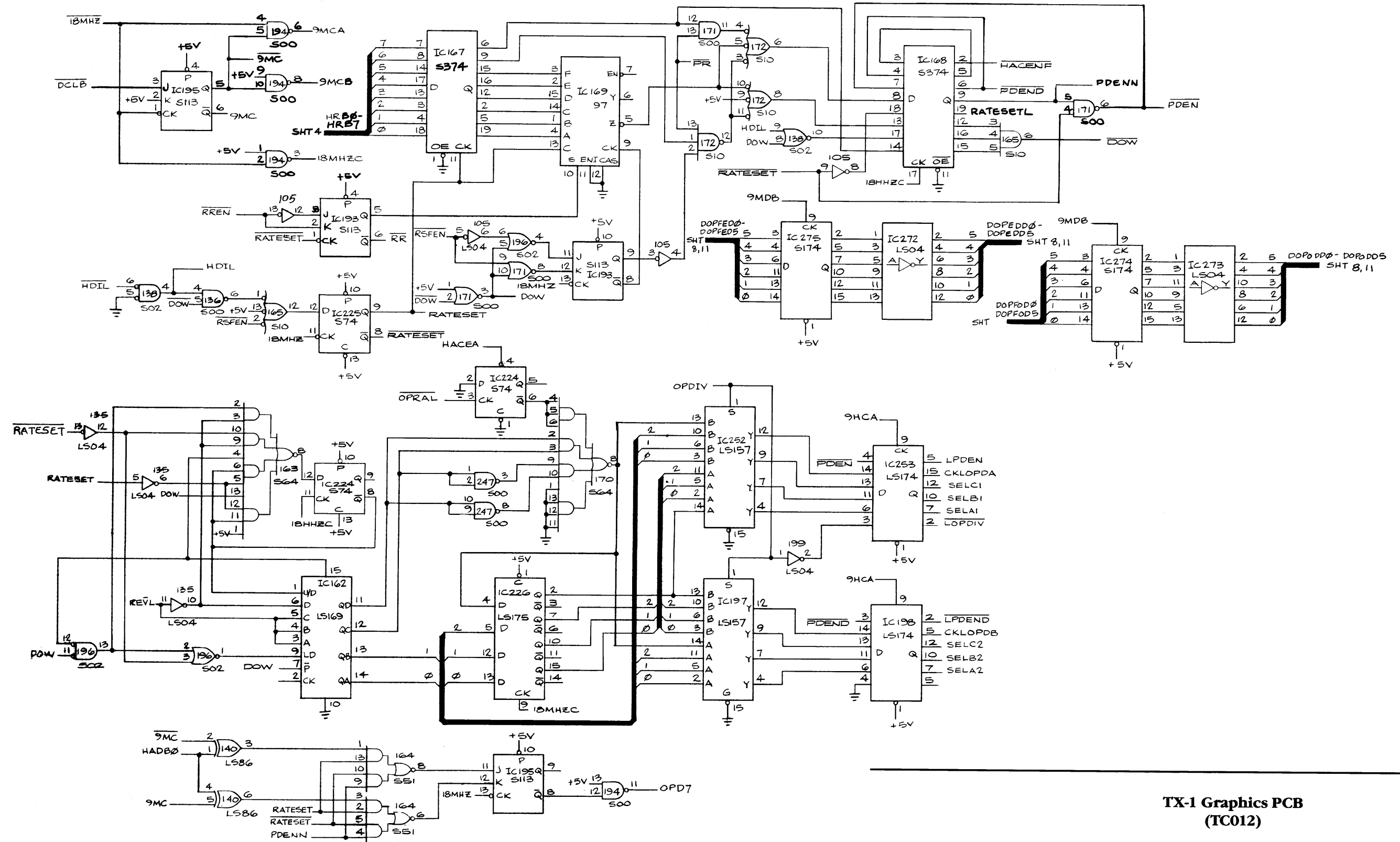






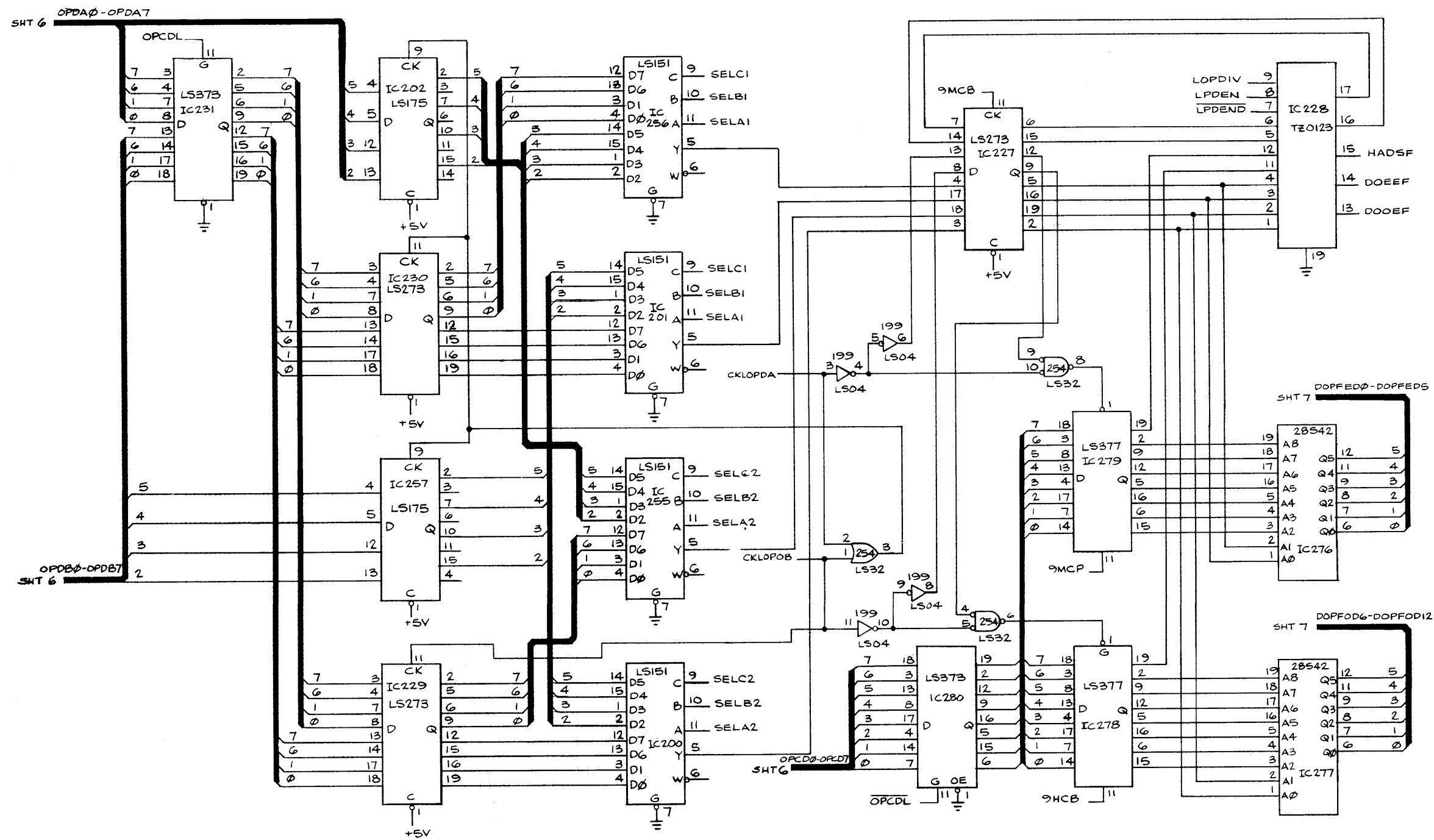
**TX-1 Graphics PCB  
(TC012)**





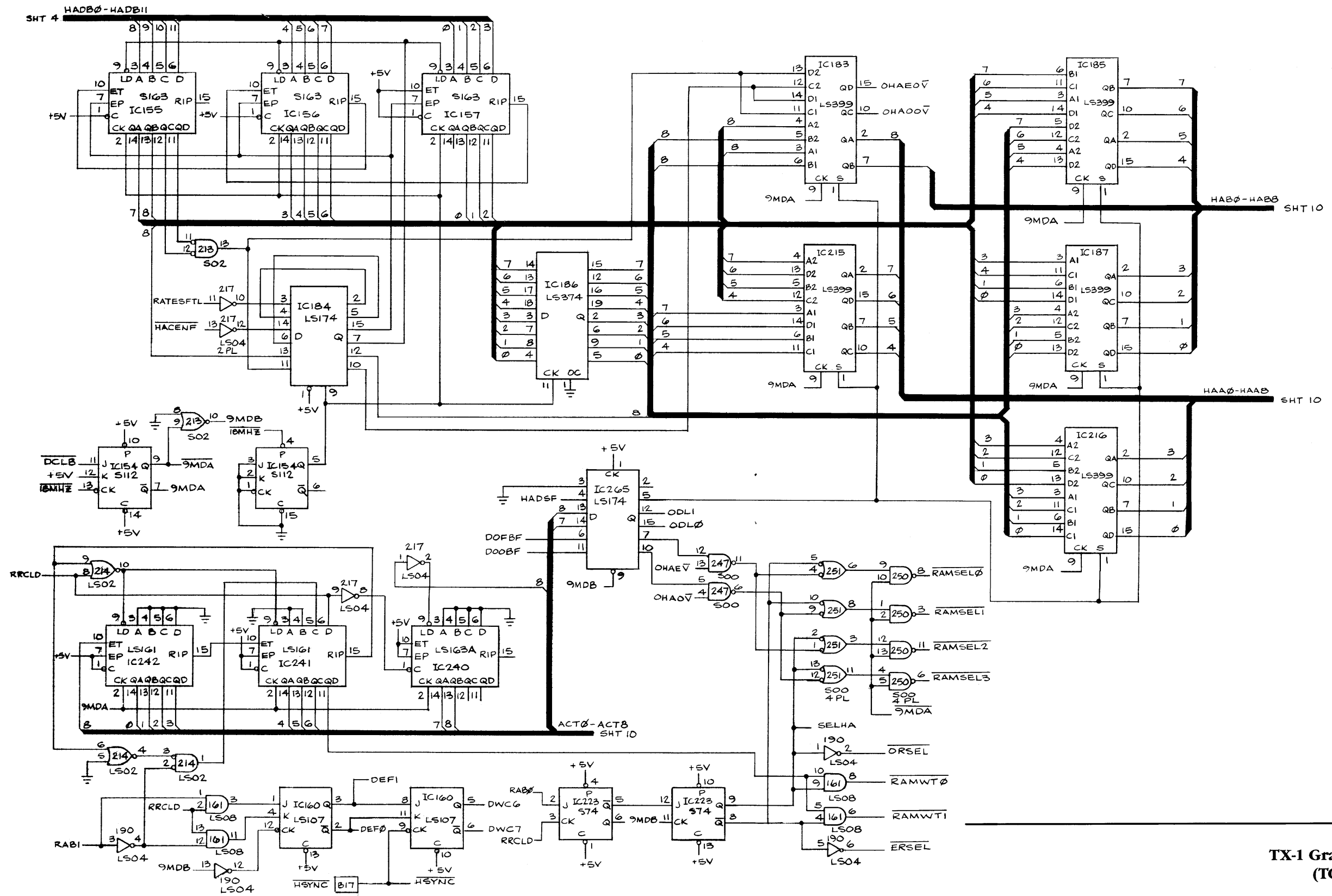
**TX-1 Graphics PCB  
(TC012)**





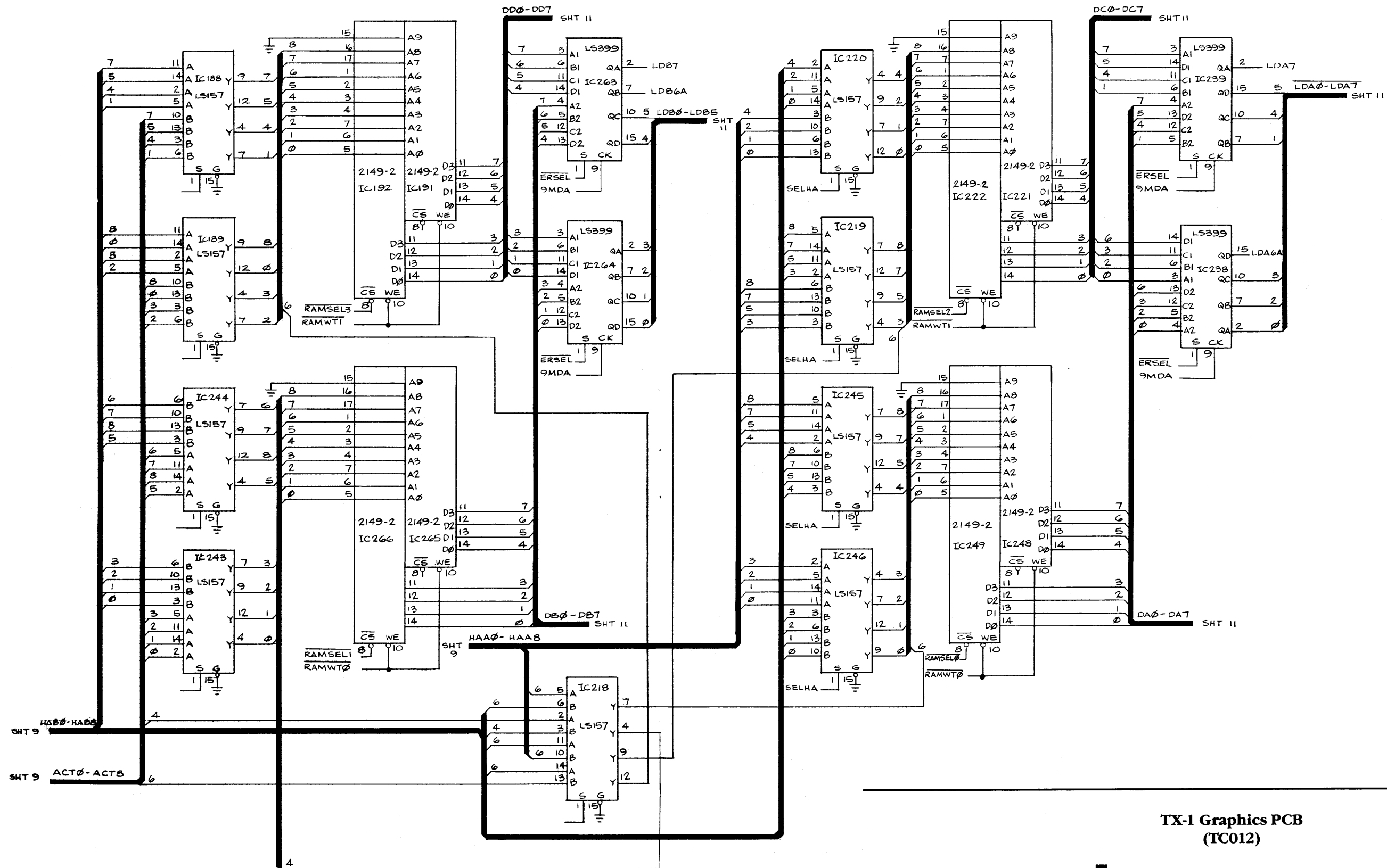
**TX-1 Graphics PCB  
(TC012)**



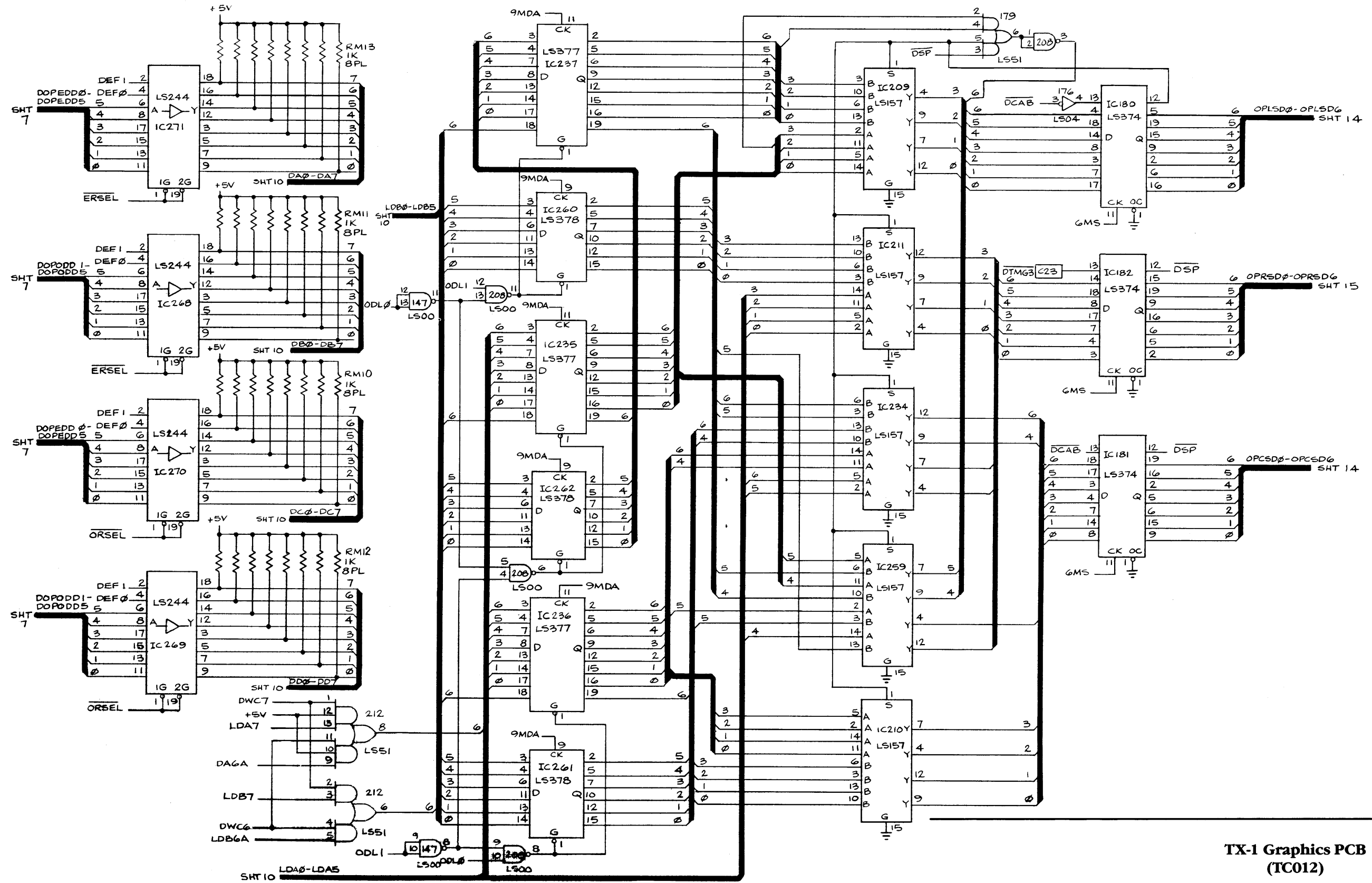


TX-1 Graphics PCB  
(TC012)

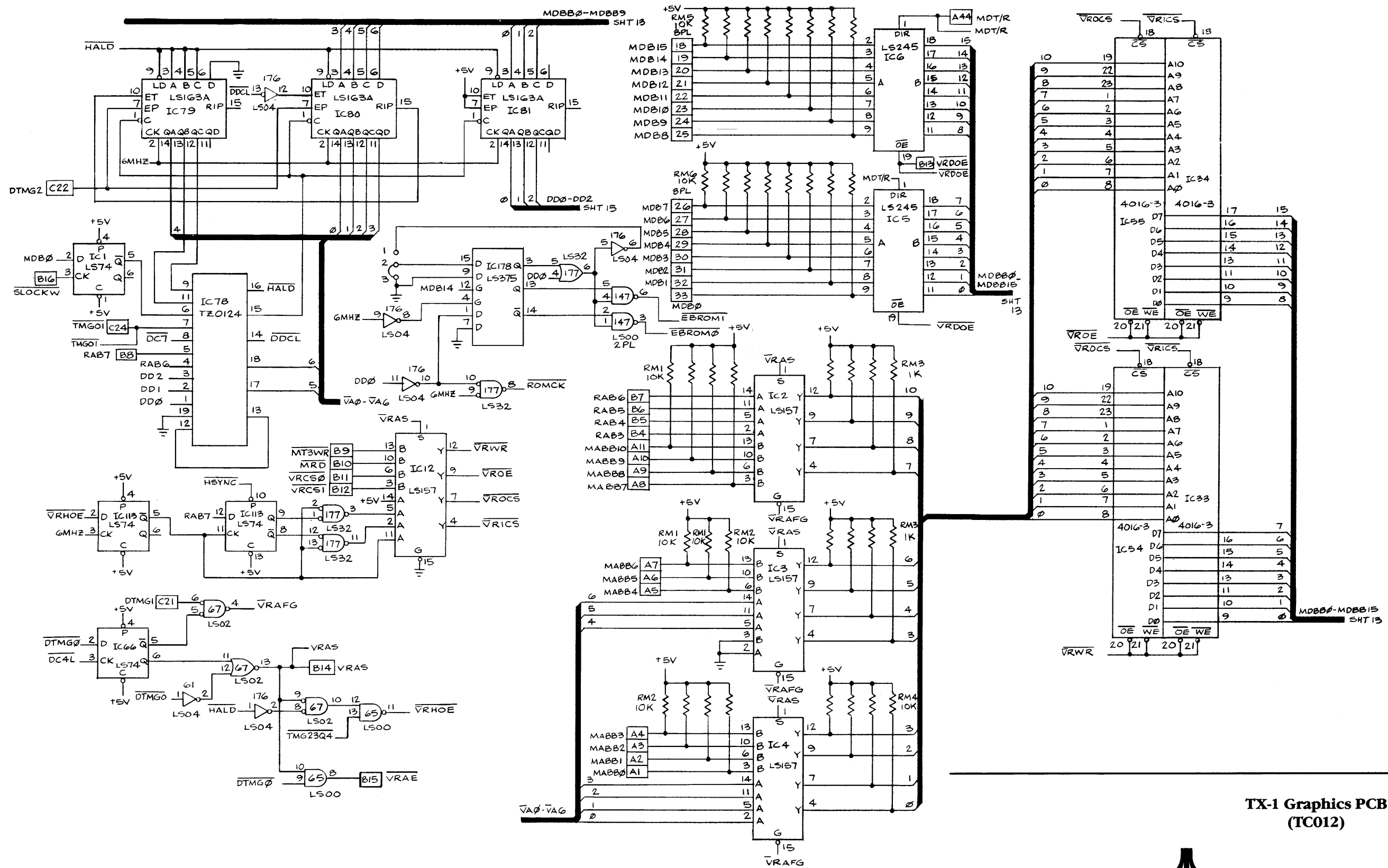




TX-1 Graphics PCB  
(TC012)

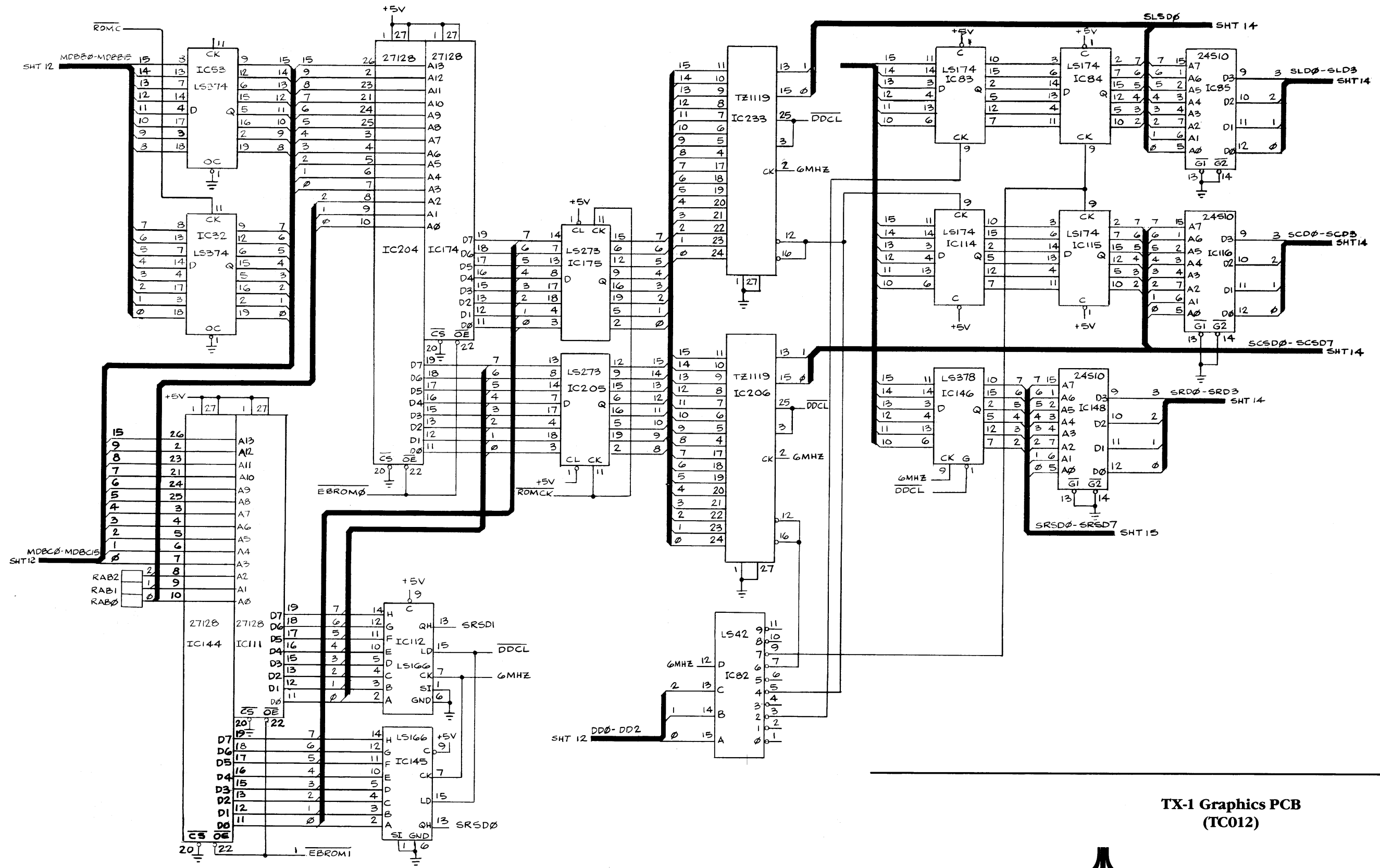


TX-1 Graphics PCB  
(TC012)



TX-1 Graphics PCB  
(TC012)

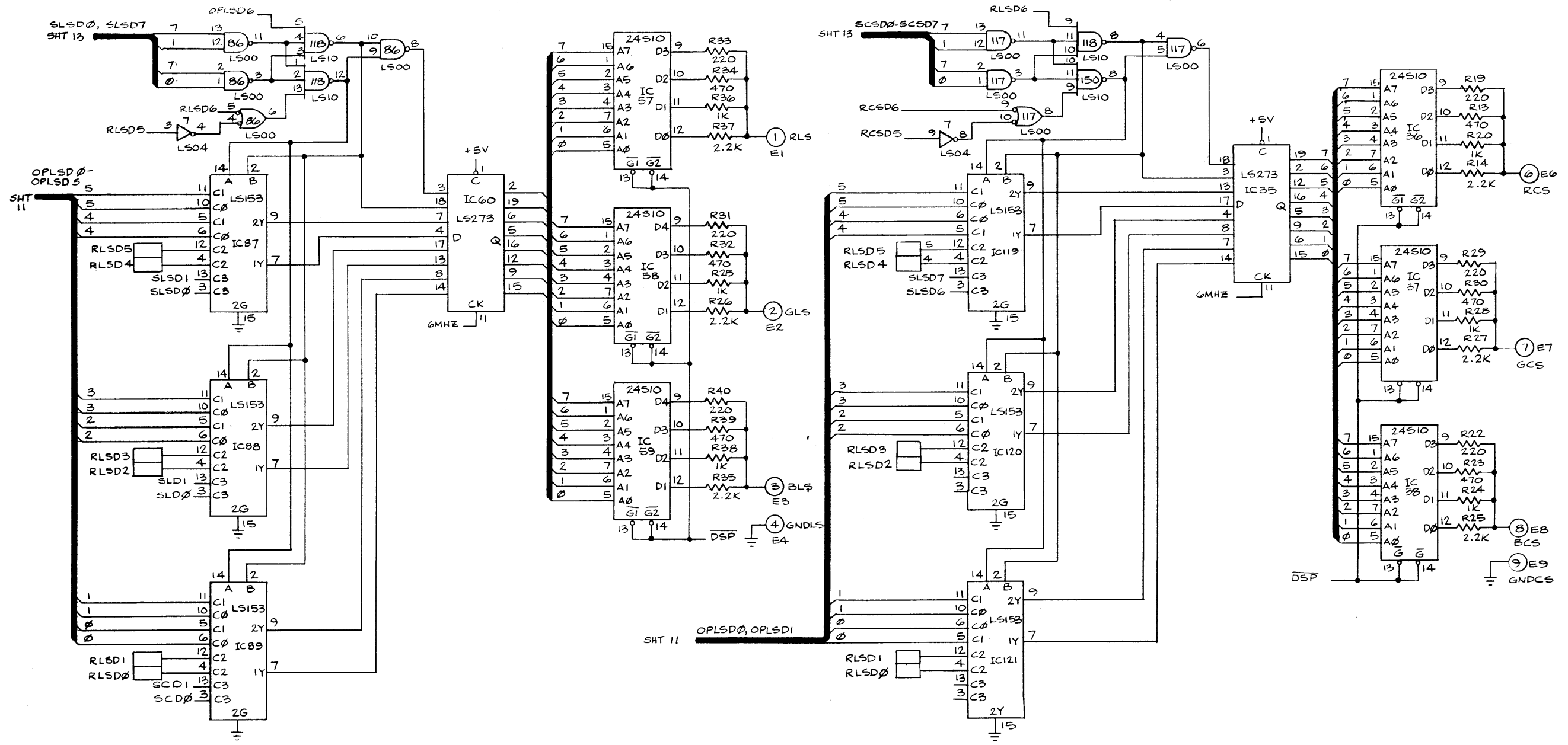




**TX-1 Graphics PCB  
(TC012)**

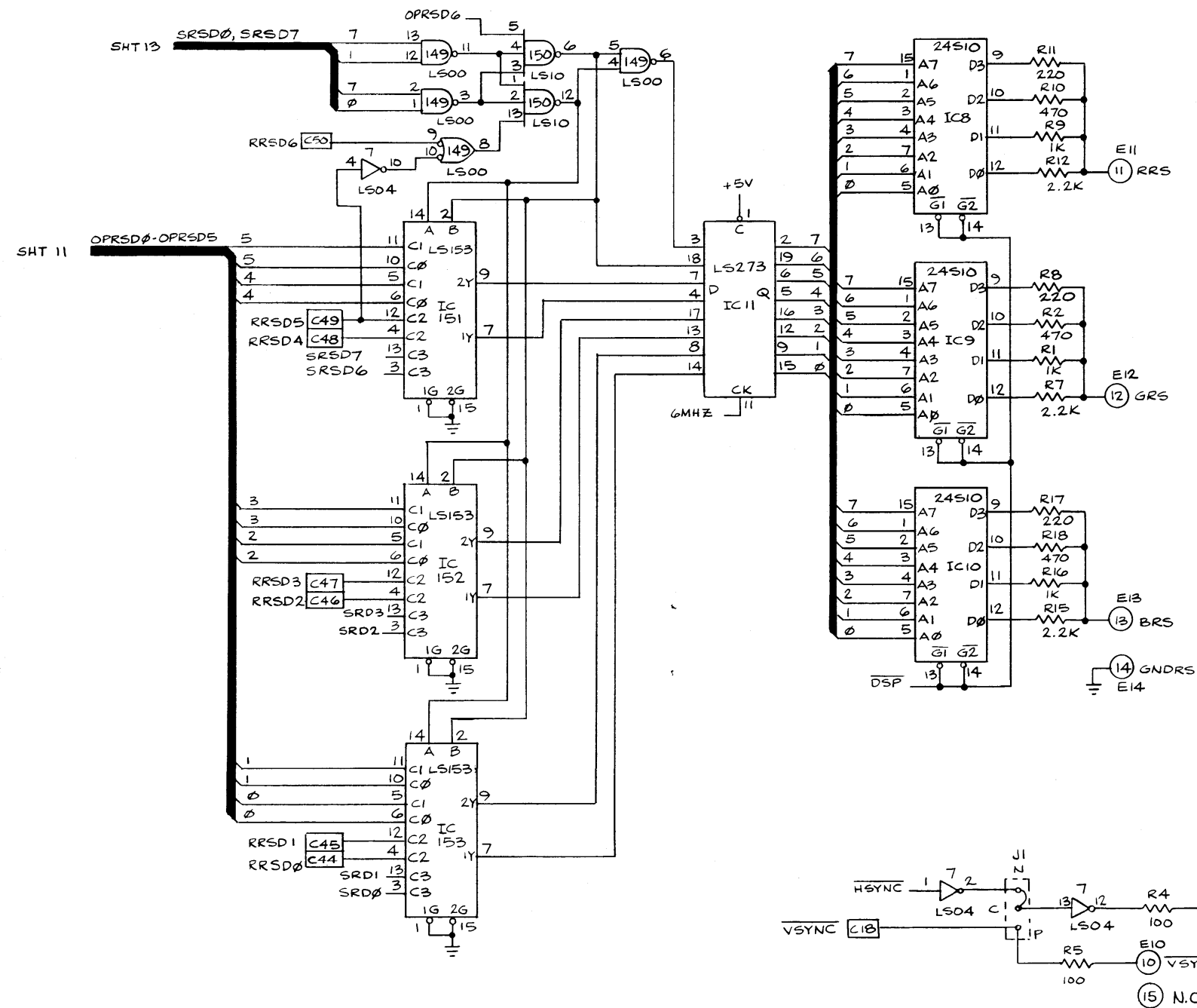






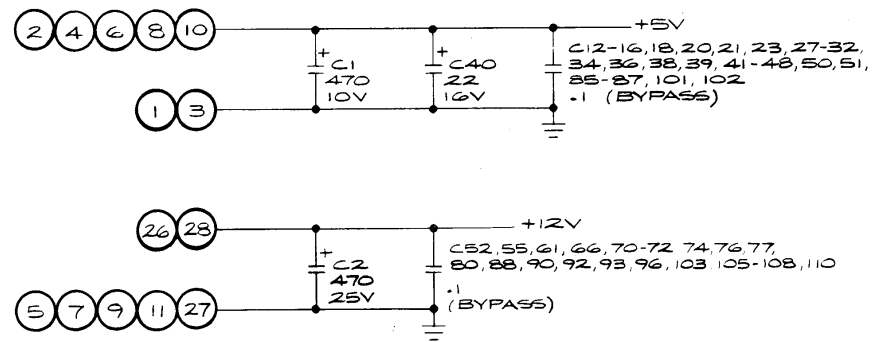
**TX-1 Graphics PCB  
(TC012)**





**TX-1 Graphics PCB  
(TC012)**



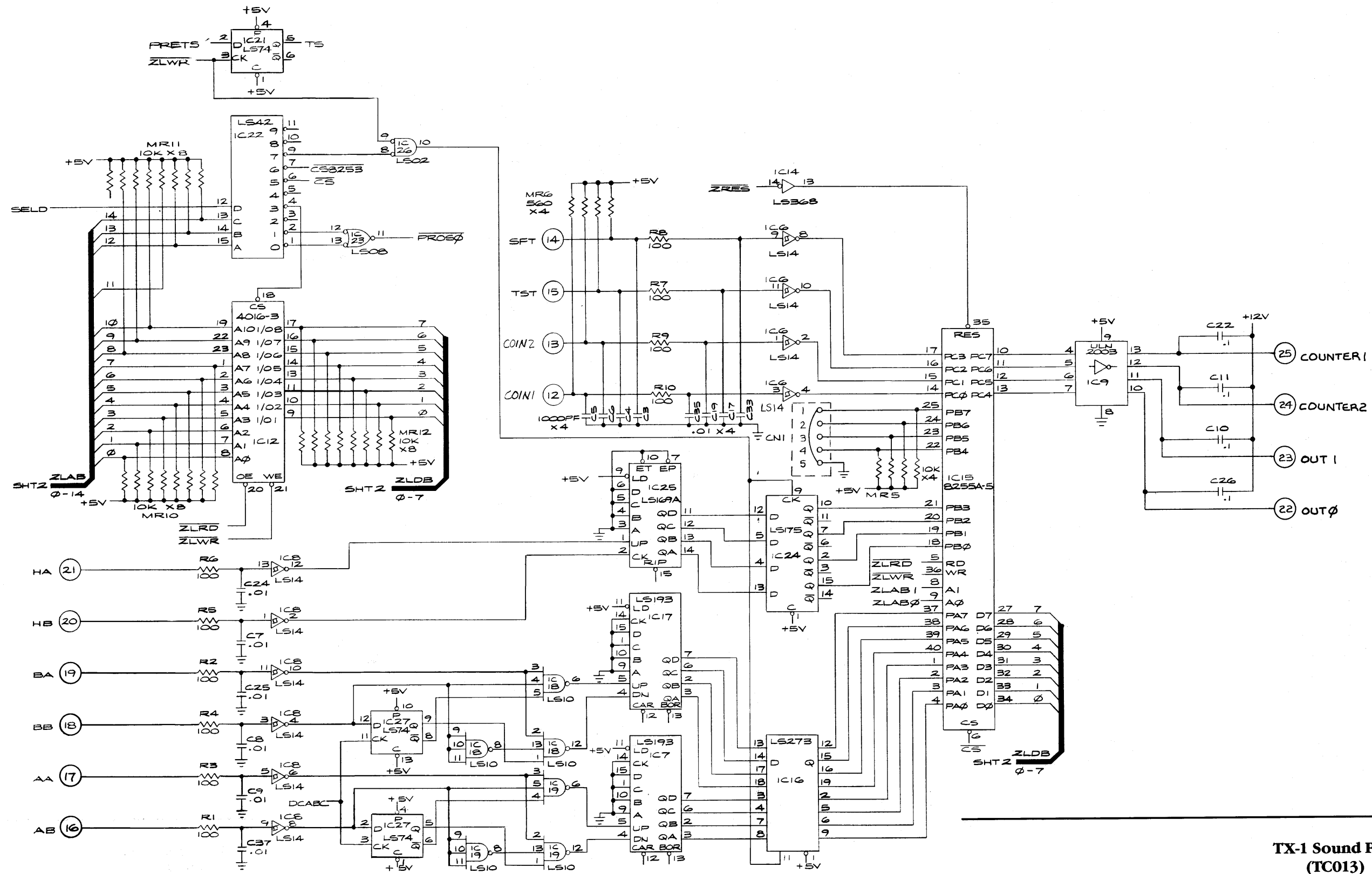


**TX-1 Sound PCB  
(TC013)**



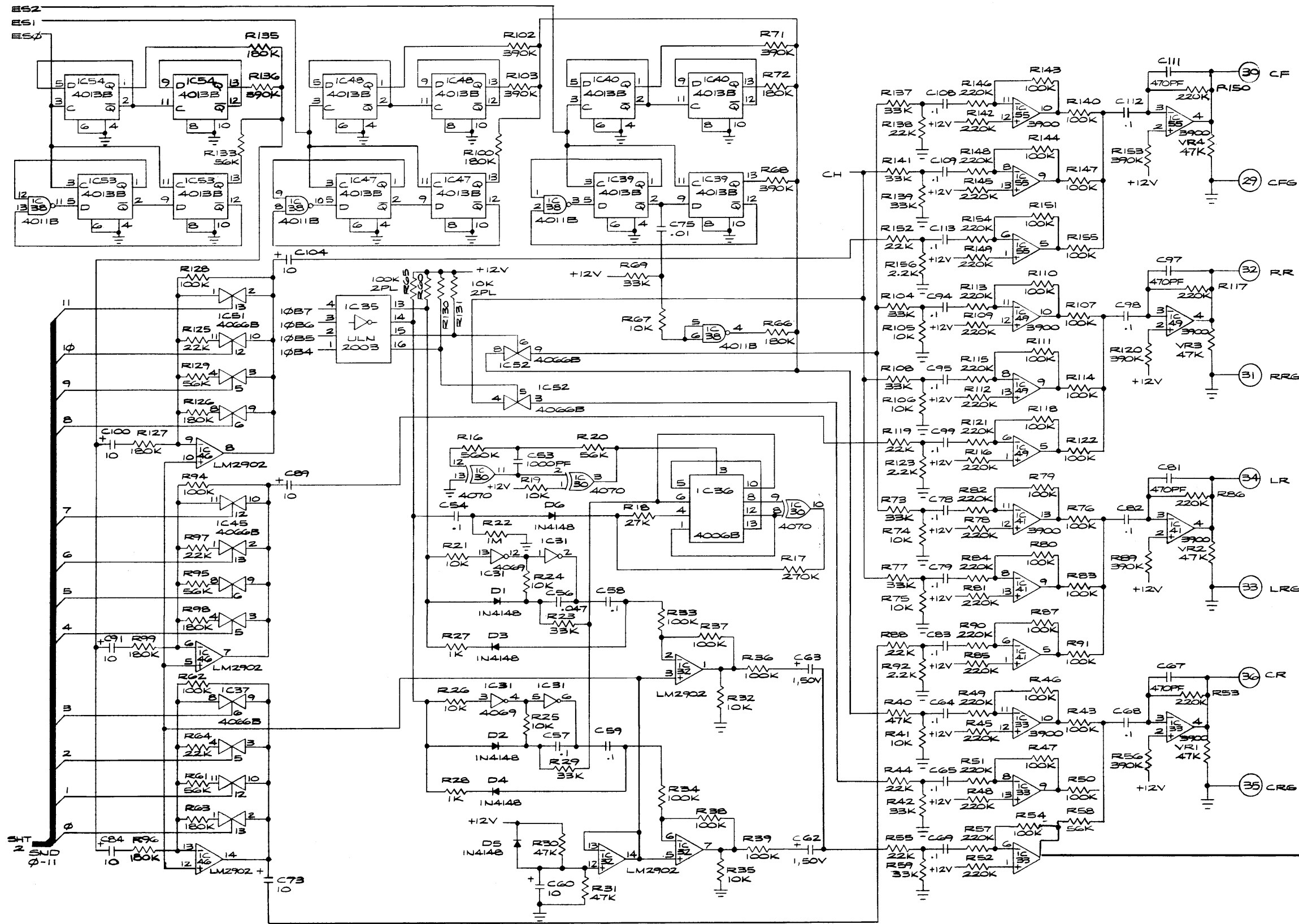
© ATARI INC. 1984

SP-262 Sheet 1 of Sound  
1st printing



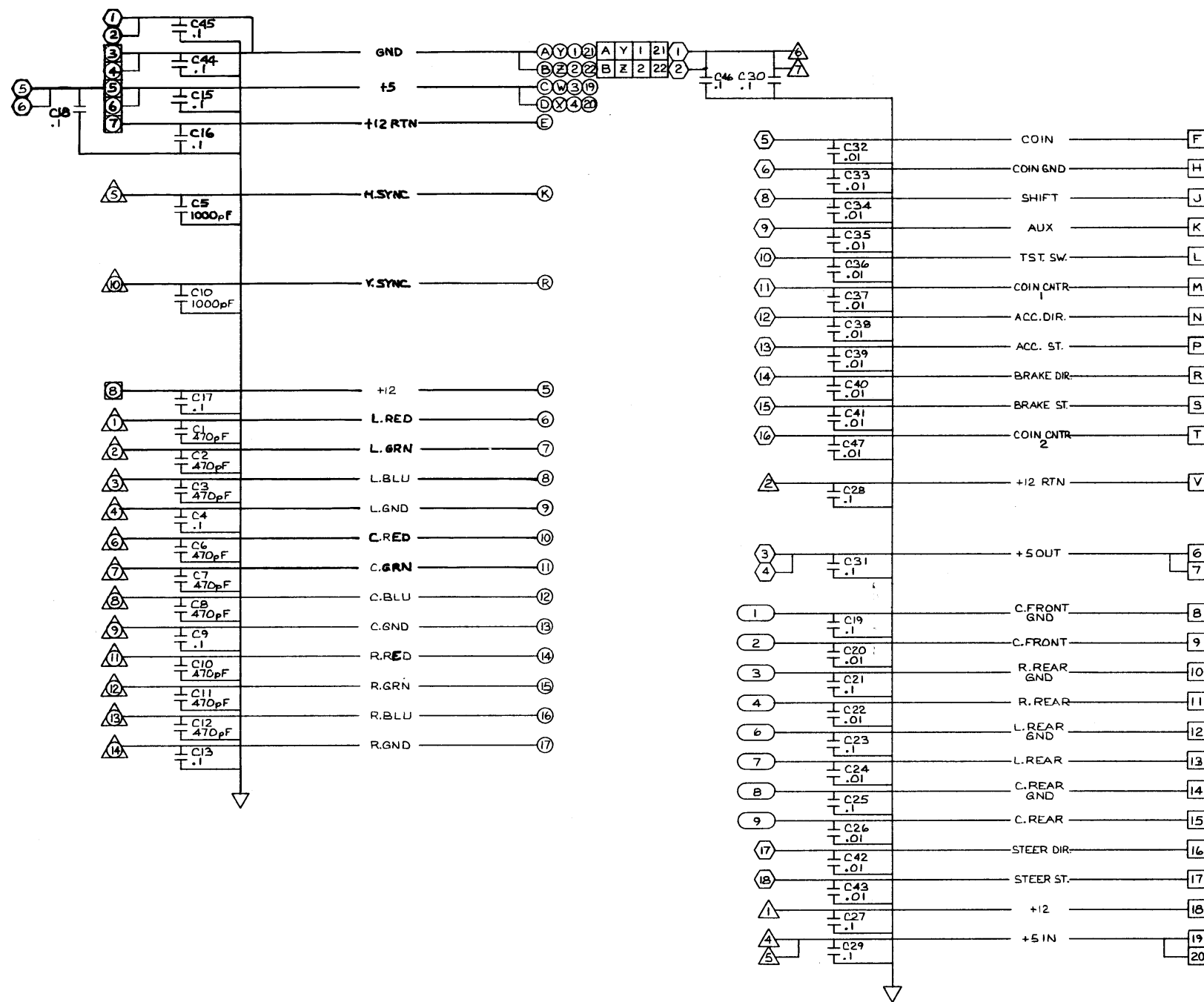
TX-1 Sound PCB  
(TC013)





TX-1 Sound PCB  
(TC013)



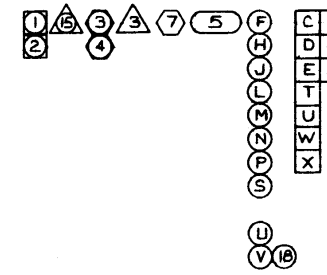


NOTES:

1. KEY:

SYMBOL	DESIG.	DESTINATION
□	P10	MAIN CONTROL PCB
△	P11	SUB CONTROL PCB
○	P12	SUB CONTROL PCB
△	P13	SOUND I/O PCB
○	P14	SOUND I/O PCB
○	P15	AUDIO PCB
○	P16	AS LABELED
□	P20	AS LABELED

2. N.C.:



TX-1 EMI Shield PCB Wiring Diagram

