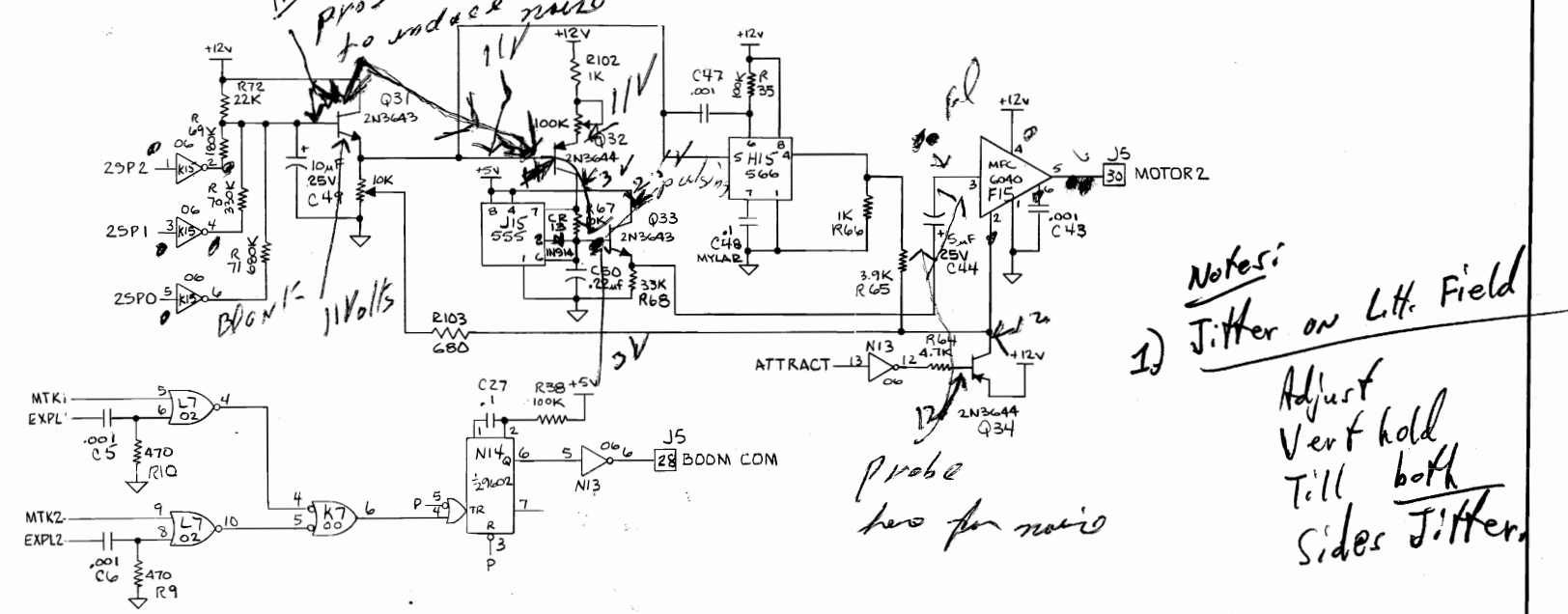
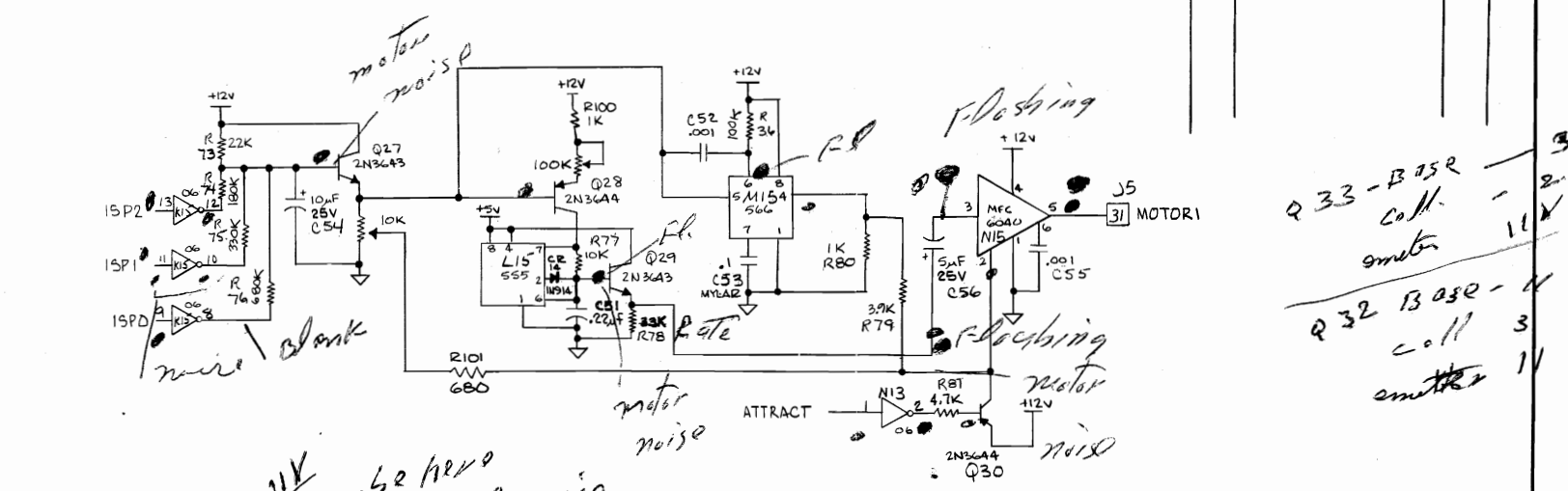
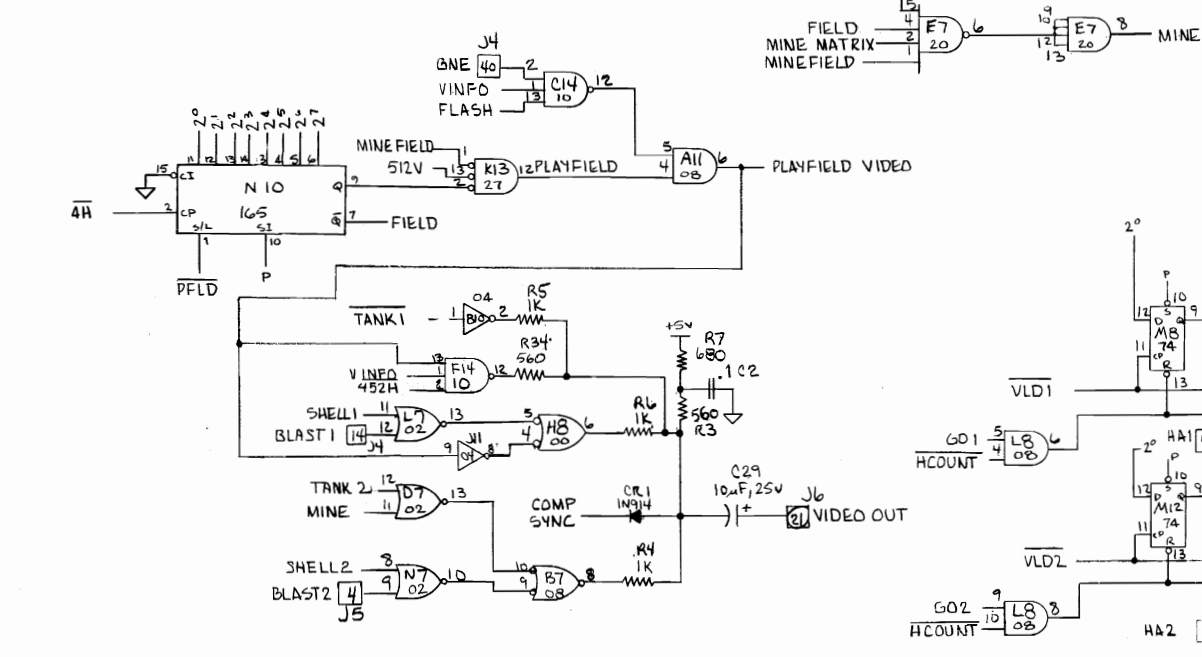
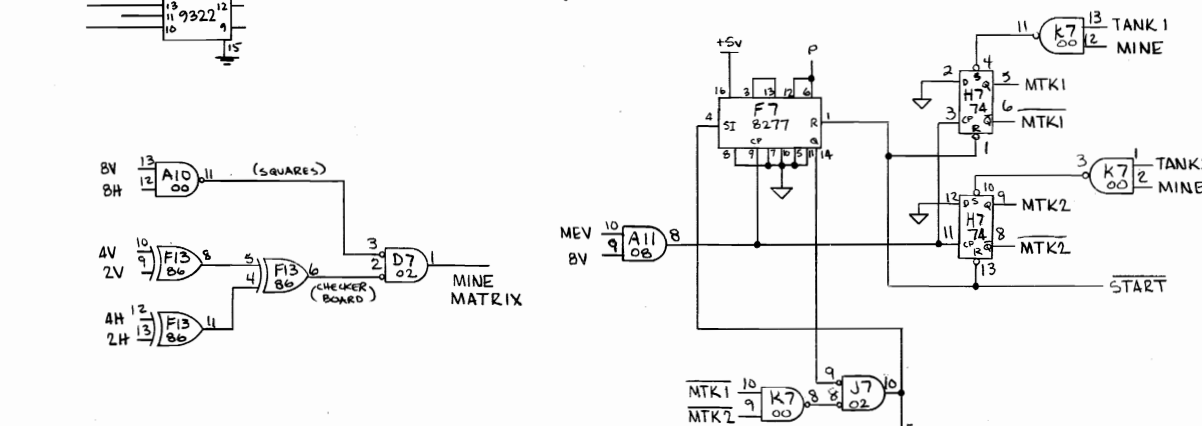
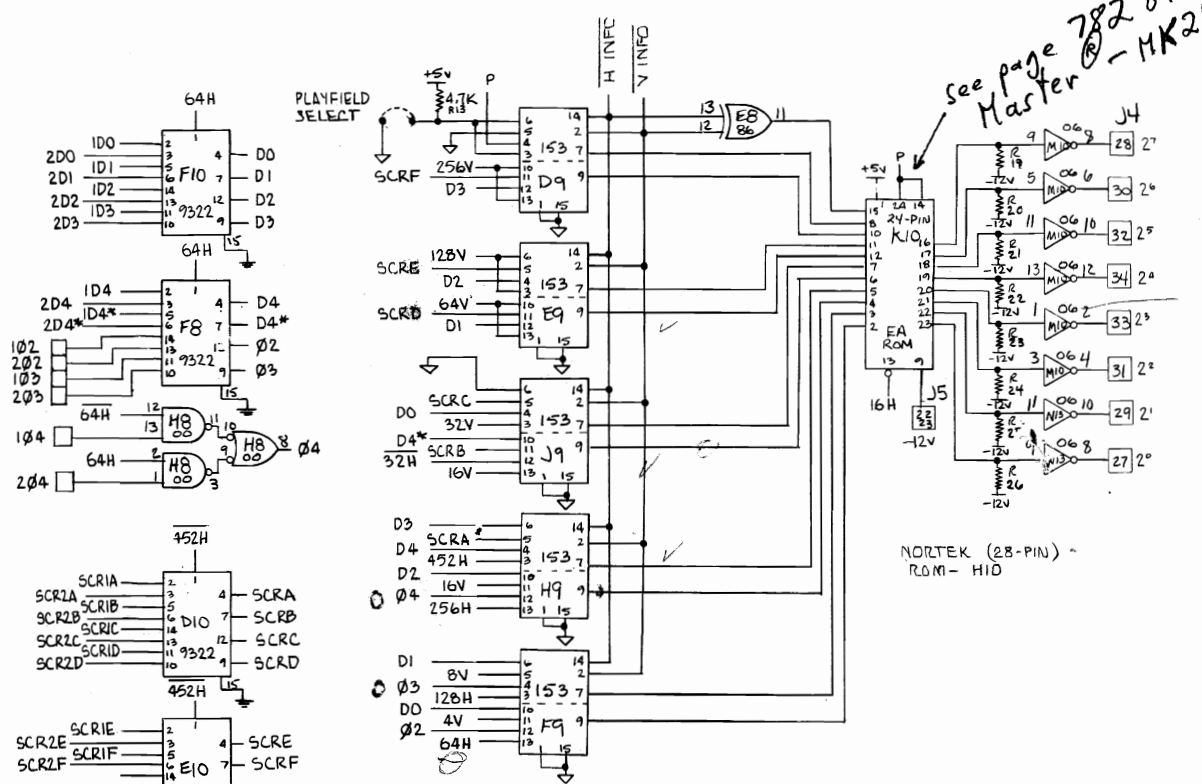


see page 282 of Master - MK2, 000P

SYN	DESCRIPTION	DATE	APPN
F	REV PER ECU 1047	10/77	



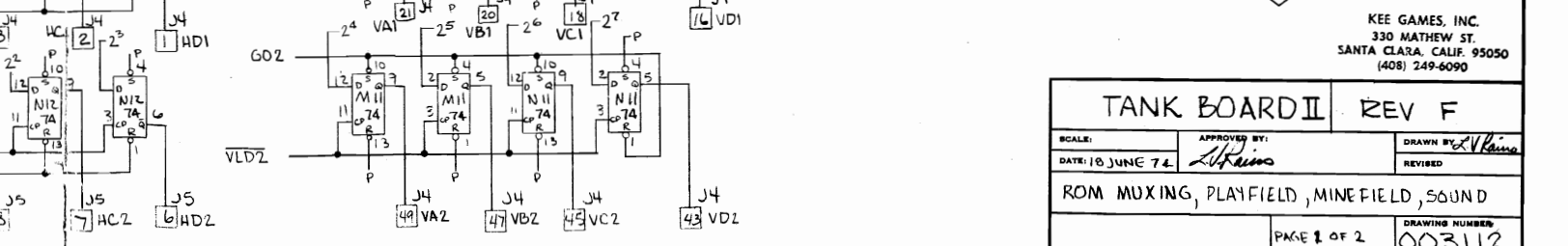
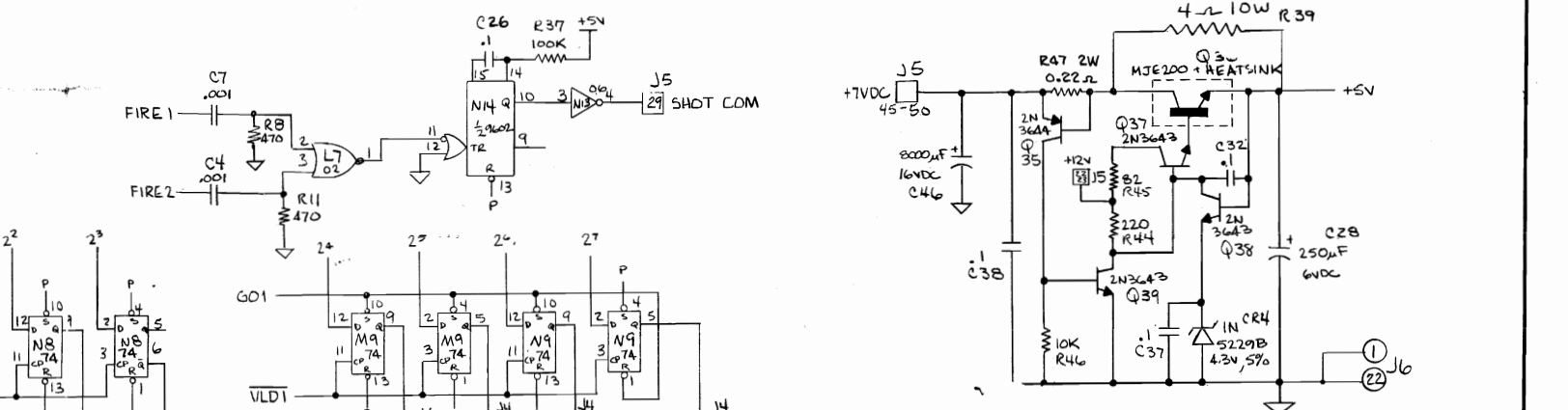
Q33 - BSR coll. motor 1

Q32 BSR coll. motor 2

Notes:

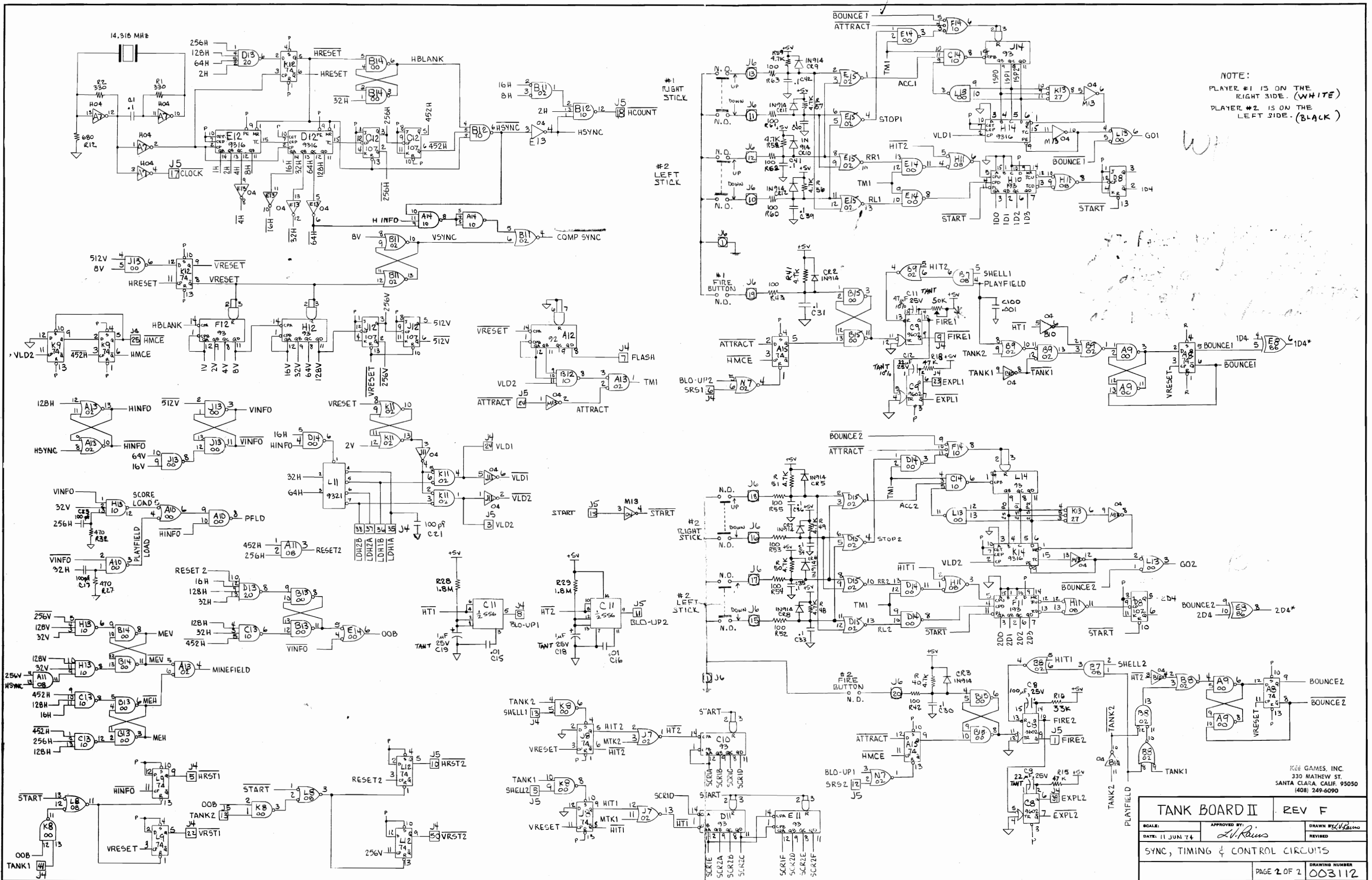
1) Jitter on Ltt. Field

Adjust Vert hold till both sides Jitter.



TANK BOARD II REV F		
SCALE:	APPROVED BY:	DRAWN BY:
DATE: 10 JUNE 74	<i>[Signature]</i>	<i>[Signature]</i>
ROM MUXING, PLAYFIELD, MINEFIELD, SOUND		
PAGE 1 OF 2	DRAWING NUMBER: 003112	

KEE GAMES, INC.  
330 MATHEW ST.  
SANTA CLARA, CALIF. 95050  
(408) 249-6090



NOTE:  
 PLAYER #1 IS ON THE  
 RIGHT SIDE. (WHITE)  
 PLAYER #2 IS ON THE  
 LEFT SIDE. (BLACK)

K&E GAMES, INC.  
 330 MATHEW ST.  
 SANTA CLARA, CALIF. 95050  
 (408) 249-6090

<b>TANK BOARD II</b>		<b>REV F</b>
SCALE:	APPROVED BY: <i>L.V. Rains</i>	DRAWN BY: <i>V. Rains</i>
DATE: 11 JUN 74	REVISED:	
SYNC, TIMING & CONTROL CIRCUITS		
PAGE 2 OF 2		DRAWING NUMBER 003112