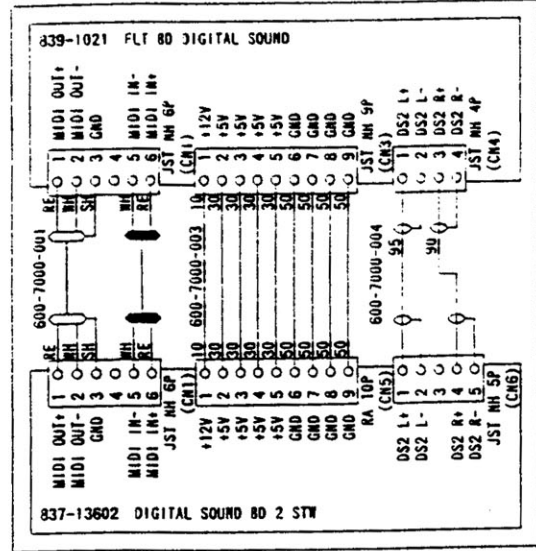
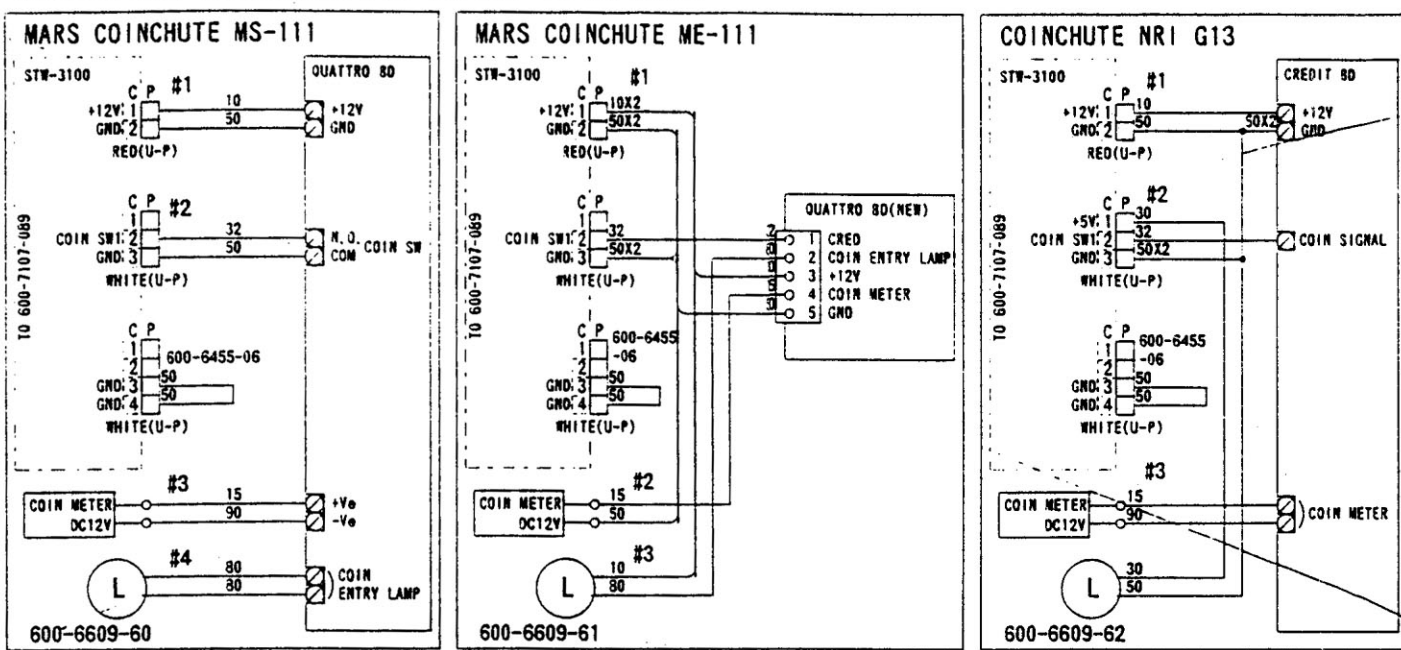


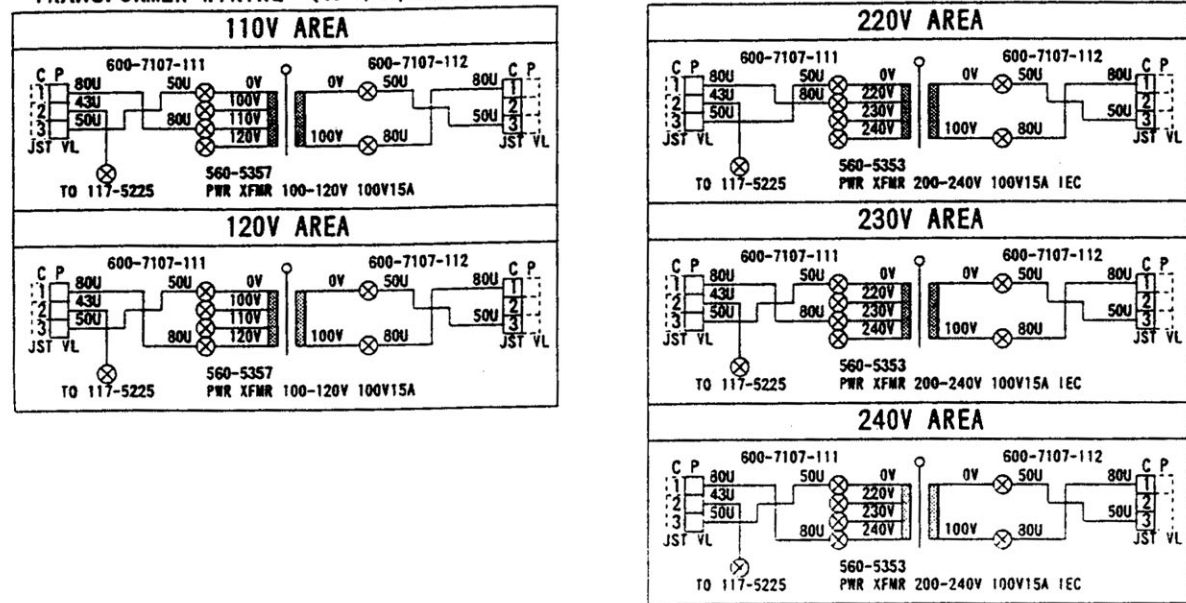
STW-4350 ASSY SHIELD CASE DS2 (to 2/X pos.C5)



ELECTRICAL COINCHUTE FOR EXPORT (to 3/X pos.G5)



TRANSFORMER WIRING (to 1/X pos.A3)



1	BLACK	1	LIGHT GREEN	13	CARTON WIRE
2	ORANGE	2	PURPLE	14	WIRE TIE
3	WHITE	3	BROWN	15	WIRE TIE
4	GREEN	4	JAY BLUE	16	WIRE TIE
5	YELLOW	5	PINK	17	WIRE TIE
6	BLUE	6	RED	18	WIRE TIE
7	RED	7		19	WIRE TIE

設計 製造 検査 承認
 1981.01-88 09.23-88 09.24-88 09.25-88

SEGA SEGA ENTERPRISES, LTD. THIS DRAWING WILL IN NO WAY BE COPIED. 許可なく複製 複製等厳禁 TO BE TURNED ON DEMAND.

STAR WARS TRILOGY ARCADE DX

DGM-0030 (4/4)