



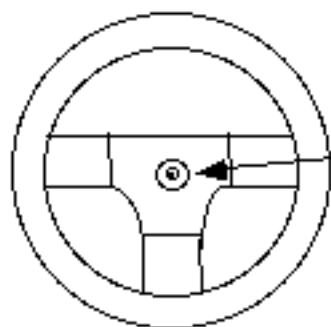
May 13, 1997

## Service Advisory

*" This Advisory applies to all Super GT Deluxe and Twin Games "*

As part of your regular scheduled maintenance , please be sure to check the M8 Socket Head Screw ( 020-000820-0Z ) that secures the Steering Wheel ( SPG-2001 ) to the handle Shaft ( SPG-2503 ). Be sure that it is securely tightened. If it requires tightening , remove the Screw , Clean it and apply Blue Loctite to the threads before re-assembly.

The Proper Torque Specification for this Screw is : 14ft lbs. If no Torque Wrench is available , tighten the screw by turning approximately 1/4 to 1/2 turn after the Spring Washer is compressed .



Be sure to keep tight.  
Proper Torque is 14 ft lbs