



**Owner's Manual**

Manufactured By

**SEGA<sup>®</sup>**

TLX 910-335-1621

**Congo Bongo<sup>™</sup> Owner's Manual**

**Copyright © 1983 By SEGA Electronics, Inc., All Rights Reserved**

# Table of Contents

List of Illustrations	
Introduction . . . . .	1
Important Notes . . . . .	2
Game Concept . . . . .	3
Scoring . . . . .	4
Option Selection . . . . .	5
Theory of Operation . . . . .	7
Self-Test . . . . .	10
Parts Catalog . . . . .	20
700-0134 Top Assembly . . . . .	21
Ground Plane Assembly . . . . .	28
Volume Control Block Assembly . . . . .	30
Game Electronics . . . . .	32
Interface Board Assembly . . . . .	34
700-0137 T-8 Cocktail Top Assembly . . . . .	36
T-8 Cabinet Accessory Assembly . . . . .	40
Control Panel Assembly . . . . .	43
8-Way Joystick Assembly . . . . .	45
Power Supply Assembly . . . . .	47
Regulator Unit . . . . .	49
Nanao MC-2000-S . . . . .	51
700-0138 Top Assembly . . . . .	65
700-0139 Top Assembly . . . . .	72
Component Shelf Assembly . . . . .	79
Operator Control Block Assembly . . . . .	81
Common Assemblies . . . . .	83
AC Junction Box Assembly . . . . .	84
EMI Transformer Assembly . . . . .	87
Flourescent Lamp Assembly . . . . .	89
Control Panel Assembly . . . . .	91
8-Way Joystick Assembly . . . . .	94
Color Monitor Assembly . . . . .	96
Electrohome G07-907 . . . . .	98
Wells Gardner 19K4675 . . . . .	106
Wells Gardner 19K4961 . . . . .	123
834-5197 IC Board Assembly (3-board assembly) . . . . .	140
834-5198 IC Board Assembly (2-board assembly) . . . . .	142

Table of Contents (cont.)

Control Board Assembly . . . . .	144
Control Board 2 Assembly . . . . .	149
Video Board Assembly . . . . .	154
Sound Board Assembly . . . . .	158
G-80 Power Supply Assembly . . . . .	162
G-80 Power Supply PC Assembly . . . . .	166
Schematics . . . . .	169
Comments Mailer	

## List of Illustrations

DIP Switch Location . . . . .	5
Diagnostics Organization . . . . .	10
Assembly Organization . . . . .	17
700-0134 Top Assembly . . . . .	25
Ground Plane Assembly . . . . .	29
Volume Control Block Assembly . . . . .	31
Game Electronics Assembly . . . . .	33
Interface Board Assembly . . . . .	35
700-0137 T-8 Cocktail Top Assembly . . . . .	39
T-8 Cabinet Accessory Assembly . . . . .	42
Control Panel Assembly . . . . .	44
8-Way Joystick Assembly . . . . .	46
Power Supply Assembly . . . . .	48
Regulator Unit . . . . .	50
Nanao MC-2000-S . . . . .	60
700-0138 Top Assembly . . . . .	69
700-0139 Top Assembly . . . . .	76
Component Shelf Assembly . . . . .	80
Operator Control Block Assembly . . . . .	82
Common Assemblies	
AC Junction Box Assembly . . . . .	86
EMI Transformer Assembly . . . . .	88
Flourescent Lamp Assembly . . . . .	90
Control Panel Assembly . . . . .	92
8-Way Joystick Assembly . . . . .	95
Color Monitor Assembly . . . . .	97
Electrohome G07-907 . . . . .	103
Wells Gardner 19K4675 . . . . .	119
Wells Gardner 19K4961 . . . . .	138
834-5197 IC Board Assembly (3-board assembly) . . . . .	141
834-5198 IC Board Assembly (2-board assembly) . . . . .	143
Control Board Assembly . . . . .	148
Control Board 2 Assembly . . . . .	153
Video Board Assembly . . . . .	157
Sound Board Assembly . . . . .	161
G-80 Power Supply Assembly . . . . .	165
G-80 Power Supply PC Assembly . . . . .	168

## List of Illustrations (cont.)

Schematics . . . . .	169
700-0134 Cabinet Wiring Diagram . . . . .	170
700-0137 T-8 Cocktail Wiring Diagram . . . . .	171
700-0138 Cabinet Wiring Diagram . . . . .	172
700-0139 Cabinet Wiring Diagram . . . . .	173
EMI Transformer	
AC Junction Box	
Operator Control Block . . . . .	174
Regulator Board	
Regulator Unit . . . . .	175
Control Board . . . . .	176
Control Board 2 . . . . .	180
Video Board . . . . .	186
Sound Board . . . . .	190
Electrohome G07-907 . . . . .	192
Wells Gardner 19K4675 . . . . .	193
Nanao MC-2000-S . . . . .	194
Wells Gardner 19K4961 . . . . .	195
G-80 Power Supply . . . . .	196
Switching Regulator . . . . .	197

## Introduction

CONGO BONGO™ is a micro-processor based coin-operated electronic game, that makes extensive use of digital integrated circuitry and television monitor concepts. This manual is intended for the use of maintenance technicians who possess a general working knowledge of solid-state circuitry and video monitor theory. Any individual NOT knowledgeable in these areas SHOULD NOT attempt repair of the electronic portions of the game.

In addition to this manual and training in electronics, troubleshooting and repair will be facilitated by: access to general electronic type handtools, a multimeter, a 50 to 100 MHz oscilloscope and a logic probe would be helpful.

Technical assistance is available toll-free by calling:

1-800-854-1938 outside California

1-800-722-8576 inside California

Parts Information assistance is available toll-free by calling:

1-800-854-1900 outside California

1-800-722-8575 inside California

Questions or comments concerning CONGO BONGO™ or any of our games are welcome and should be directed to:

Customer Service Manager

SEGA Electronics, Inc.

16250 Technology Drive

San Diego, California 92127-1985

## Important Notes

The following note is included in compliance with FCC rules:

WARNING: This equipment generates and uses radio frequency energy and if not installed and used properly, i.e., in strict accordance with the instruction manual, may cause harmful interference to radio communications. It has been tested and found to comply with the limits for a Class A computing device pursuant to Subpart J of Part 15 of FCC rules, which are designed to provide reasonable protection against such interference when operated in a commercial environment. Operation of this equipment in a residential area is likely to cause interference in which case the user at his own expense will be required to take whatever measures may be required to correct the interference.

## Other Notes

NEVER replace any components with anything other than exact replacement parts.

NEVER remove circuit board connections while power is on.

DO NOT replace fuses with anything other than the proper value. A blown fuse indicates an overload condition within the game. Replacing fuses with a higher value can cause severe damage to internal components if an overload occurs.

ALWAYS consult the manual before attempting repairs.

SPARE PARTS will be maintained at SEGA Electronics, Inc. for a period of five (5) years after the date of manufacture of the game concerned.

## Game Concept

Jungle drums pound as CONGO BONGO™, the cartoon adventure that pits man against monkey, takes you on the craziest, most action-packed safari ever! With fantastic 3-dimensional-like graphics and wonderful native sounds, SEGA's CONGO BONGO lures explorers of all ages to chase Bongo, the mischievous gorilla, through four vivid scenes of jungle fun. By use of an 8-way joystick and a jump button, the player maneuvers his hunter through the various scenes and avoids obstacles and dangers in his path.

In the first scene, Bongo roars defiantly from the top of Steep Peak as the hunter approaches. The hunter must climb the treacherous cliffside to reach the bridge above, while avoiding the bouncing coconuts Bongo throws down. Once across the bridge, the hunter must slide down a slope and knock the green monkey off the ledge. Green monkeys will block the hunter's path and if not pushed over a cliff or jumped over, the hunter cannot pass.

Next the hunter must jump over a perilous, collapsing chasm and climb the cliff to Primate Plateau. Here several friendly-looking monkeys scamper about playfully. Be careful though, as the cheerful chimps will cling to the hunter, slowing him down. By using the jump button, the player can shake the chimps off the hunter, but it must be done quickly, because if three chimps grab the hunter, they will pick the hunter up and throw him over the side and into the river. Once past the monkeys, the hunter must jump the river again and climb up to the top where a chagrined Bongo loses his smile and runs off into the jungle.

In the second scene, Bongo taunts the hunter from across Snake Lake. Immediately scorpions descend upon the hunter and he must decide which route to take quickly. Snake Lake is a maze of bridges and islands with snakes guarding every route. The hunter must avoid the snakes by jumping over them. The hunter should attempt to reach the island nearest Bongo and jump onto the back of the hippo and then safely to shore. Beware of the hippo as he dives and surfaces. Once safely to shore, Bongo gets worried and scampers off again.

The third scene opens with the hunter in a mole hole on Rhino Ridge. A herd of charging rhinos must be avoided in the hunter's attempt to capture Bongo. The hunter can avoid the rhinos by jumping over them or ducking into a mole hole. When ducking into a mole hole, the player must depress the jump button for the hunter to duck down and avoid the rhinos.



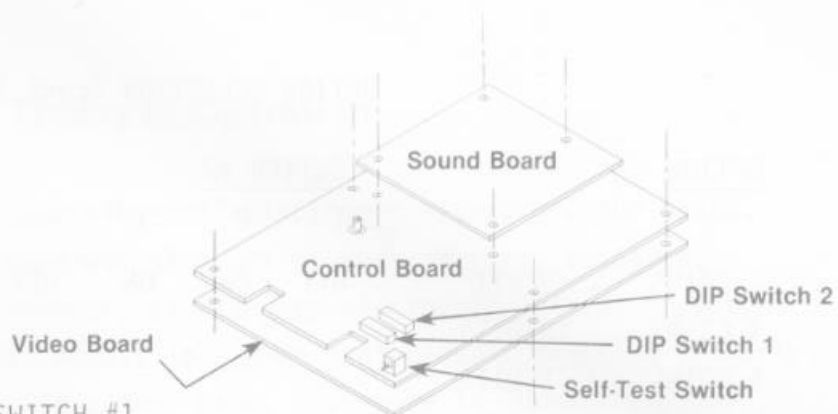
In the fourth scene, a weary Bongo naps in a chair on the far side of Lazy Lagoon. To reach Bongo, the hunter must cross Lazy Lagoon by jumping on lily pads, hippos and fish, that might sink at minute. Once across Lazy Lagoon, the hunter must dodge the last charging rhinos and climb the last bluff to capture Bongo. After Bongo is captured, the scenes repeat with increasing difficulty.

CONGO BONGO is a one or two player game with players alternating at the loss of each hunter. Each scene is timed by the bonus counter in the upper left corner of the screen. As time passes, the bonus decreases. If the bonus counter reaches zero, the player loses that hunter, the bonus counter is reset and play continues if he has other hunters available. Game ends with the loss of the last hunter.

### Scoring

	<u>POINTS</u>
EACH STEP TAKEN	10
JUMPING ONTO HIPPO, FISH OR LILY PAD (INCREASES BY 50 EACH ROUND)	100
JUMPING INTO A MOLE HOLE	1000
JUMPING ACROSS A CHASM	500
AT THE SUCCESSFUL COMPLETION OF EACH ROUND, THE PLAYER IS AWARDED THE NUMBER OF POINTS REMAINING IN THE BONUS BOX.	

# Option Selection



OPTION	SWITCH #1							
	1	2	3	4	5	6	7	8
UPRIGHT	X	X	X	X	X	X	X	OFF
TABLE	X	X	X	X	X	X	X	ON
SOUND ON	X	X	X	X	X	X	ON	X
SOUND OFF	X	X	X	X	X	X	OFF	X
FREE PLAY	X	X	X	X	OFF	OFF	X	X
5 EXTRA HUNTERS	X	X	X	X	OFF	ON	X	X
4 EXTRA HUNTERS	X	X	X	X	ON	OFF	X	X
3 EXTRA HUNTERS	X	X	X	X	ON	ON	X	X
DIFFICULTY: EASY	X	X	ON	ON	X	X	X	X
MEDIUM	X	X	ON	OFF	X	X	X	X
HARD	X	X	OFF	ON	X	X	X	X
HARDEST	X	X	OFF	OFF	X	X	X	X
BONUS AT: 10,000	ON	ON	X	X	X	X	X	X
20,000	ON	OFF	X	X	X	X	X	X
30,000	OFF	ON	X	X	X	X	X	X
40,000	OFF	OFF	X	X	X	X	X	X

OPTION	SWITCH #2							
	1	2	3	4	5	6	7	8
4 COINS 1 CREDIT	ON	ON	ON	ON	ON	ON	ON	ON
3 COINS 1 CREDIT	ON	ON	ON	OFF	ON	ON	ON	OFF
2 COINS 1 CREDIT	ON	ON	OFF	ON	ON	ON	OFF	ON
1 COIN 1 CREDIT	ON	ON	OFF	OFF	ON	ON	OFF	OFF
1 COIN 2 CREDITS	ON	OFF	ON	ON	ON	OFF	ON	ON
1 COIN 3 CREDITS	ON	OFF	ON	OFF	ON	OFF	ON	OFF
1 COIN 4 CREDITS	ON	OFF	OFF	ON	ON	OFF	OFF	ON
1 COIN 5 CREDITS	ON	OFF	OFF	OFF	ON	OFF	OFF	OFF
1 COIN 6 CREDITS	OFF	ON	ON	ON	OFF	ON	ON	ON

OPTION SELECTION (cont.)

OPTION		SWITCH #2							
		1	2	3	4	5	6	7	8
2 COINS	1 CREDIT	OFF	ON	ON	OFF	OFF	ON	ON	OFF
4 COINS	2 CREDITS								
5 COINS	3 CREDITS								
6 COINS	4 CREDITS								
2 COINS	1 CREDIT	OFF	ON	OFF	ON	OFF	ON	OFF	ON
3 COINS	2 CREDITS								
4 COINS	3 CREDITS								
1 COIN	1 CREDIT	OFF	ON	OFF	OFF	OFF	ON	OFF	OFF
2 COINS	2 CREDITS								
3 COINS	3 CREDITS								
4 COINS	4 CREDITS								
5 COINS	6 CREDITS								
1 COIN	1 CREDIT	OFF	OFF	ON	ON	OFF	OFF	ON	ON
2 COINS	2 CREDITS								
3 COINS	3 CREDITS								
4 COINS	5 CREDITS								
1 COIN	1 CREDIT	OFF	OFF	ON	OFF	OFF	OFF	ON	OFF
2 COINS	3 CREDITS								
1 COIN	2 CREDITS	OFF	OFF	OFF	ON	OFF	OFF	OFF	ON
2 COINS	4 CREDITS								
3 COINS	6 CREDITS								
4 COINS	8 CREDITS								
5 COINS	11 CREDITS								
1 COIN	2 CREDITS	OFF	OFF	OFF	OFF	OFF	OFF	OFF	OFF
2 COINS	4 CREDITS								
3 COINS	6 CREDITS								
4 COINS	9 CREDITS								

## Theory of Operation

CONGO BONGO™ is a "state-of-the-art" electronic microprocessor based, video game. The result of hundreds of hours of work, design, research, experiment and more work. However, as with any electronic device, component failure or other problems can result in a game that doesn't function properly, or doesn't function at all. In either case, your game is "down", and so critically, are your profits.

Your objective is to fix it as quickly as possible, and logical troubleshooting goes a long way toward that repair. Although many troubleshooting methods may be familiar to you, procedural logic is common among them, and might be stated in this order: visual inspection, symptom recognition, symptom isolation, function isolation, component isolation and repair. Familiarity with the equipment in question will allow you to bypass one or more of these steps, as any particular problem may be obvious to you, or may have happened before. In general though, these 6 steps form a good premise upon which to approach your "down" game.

An extremely important item in our procedure is the first mentioned, giving the gear the "once over". A large percentage of failures found in electronics, show themselves visually and often a great deal of time can be saved by inspecting for burnt or blown components, loose or disconnected wiring or connectors, or PCB traces burnt or pulled up. Thorough visual inspections become increasingly important the closer you get to the faulty item, and should be repeated each time another portion of the game is eliminated. Symptom recognition (as with all electronic troubleshooting) in your CONGO BONGO™ depends first, on knowing what a proper display is, and second, knowing how your display differs from a normal one. Symptom isolation follows naturally; (i.e., "I have no picture", "I have no sound", "I have no control over the ship", "the picture is scrambled"), ergo, a video, audio, input or logic problem. Function isolation, such as a sync problem with the video, requires that you consider those functions that go to make up video sync. Is it a monitor problem, or an "on-the-board" problem? A monitor input check to verify the signal will tell you. Does the board have the voltage (from the power supply) that it needs? Yes? We must have a board failure, as we've just isolated down to function. Taking our sync problem further, before we begin our search for an individual component, let's reapply that first item in

our "Logical Troubleshooting Procedure". Look at the board. Open resistors, diodes, and capacitors often give themselves away.

Noticing a trace literally burned open can save you serious "down-time". The board looks OK, so on we go. Specific component isolation relates to the specific nature of the failure, component commonality, proper inputting (both signal and power) and proper outputting (as in the case of an output held high, low, or floating by input port failure in the succeeding state). More general problems (such as a total loss of video sync) requires the more involved procedure of systematic elimination of possibilities. This operation can be expedited however, by dividing the circuit in half, establishing a "go-no/go" at that point, and again dividing the suspect circuit portion in half. The largest possible areas can be eliminated in this manner, dividing and subdividing until the individual component failure is found.

CONGO BONGO<sup>TM</sup> is a microprocessor based, digital-integrated circuit computer video game. The heart of the computer is the CPU (U4, Zone 7-C, Sht. 1, Control Bd., 834-5166), a Z80A (P/N 315-0041). The Alpha type device MUST ALWAYS be used, as the Z80 is not fast enough to run the programs.

Master timing is IC-driven by U122, a G501533 that provides a stable frequency for J-K flip flops U46 & U47, located on the Video Board, Zone 4-B of Sht. 2 (834-5167). The "Phase Three X" signal (O3X) is applied to U-15 P-2 (Zone 3-D, Sht. 3, 834-5167) & is clocked out at pin 13 as the 1H frequency that appears thru P3 p-9 at the input to the CPU. U6 & Q10 (Zone 8-D, Sht. 1 of the Control Bd. 834-5166) polarize & reference 1H for input timing for U4 (Zone 7-C, Sht. 1, Control Board, 834-5166).

Manual system reset (Power-On) appears as a LO at P5 p-L (Zone 8-D, Sht. 2, Control Bd., 834-5166) and is then felt through filter BF8, & is applied to pin-26 of the CPU (U4, Sht. 1, Zone 7-C, Control Bd., 834-5166). Normal program interrupts (INT) are felt at pin-16 of the Z80A (an edge-triggered LO), and are the result of Input/Output activity timing with vertical blanking (an approx. 2 msec. instruction interrupt). The WAIT signal is used to synchronize that I/O activity during an interrupt to the CPU. U5 and 7 (Zone 7-C, Sht. 1, Control Bd., 834-5166) are address bus drivers. Three of the sixteen address lines pass through U56 (Zone 5-C, Sht. 1, Control Bd., 834-5166) and subsequently drive the Chip Enable inputs of EPROM IC's 32-35 and RAM IC's 36 & 37 (Sht. 1, Control Bd., 834-5166). U48 & 9, 62 & 63 (Sht. 4, Control Bd., 834-5166) are input ports on the data bus. U64 supplies service switch, game start and coinage to the input ports. U14 and 18 input

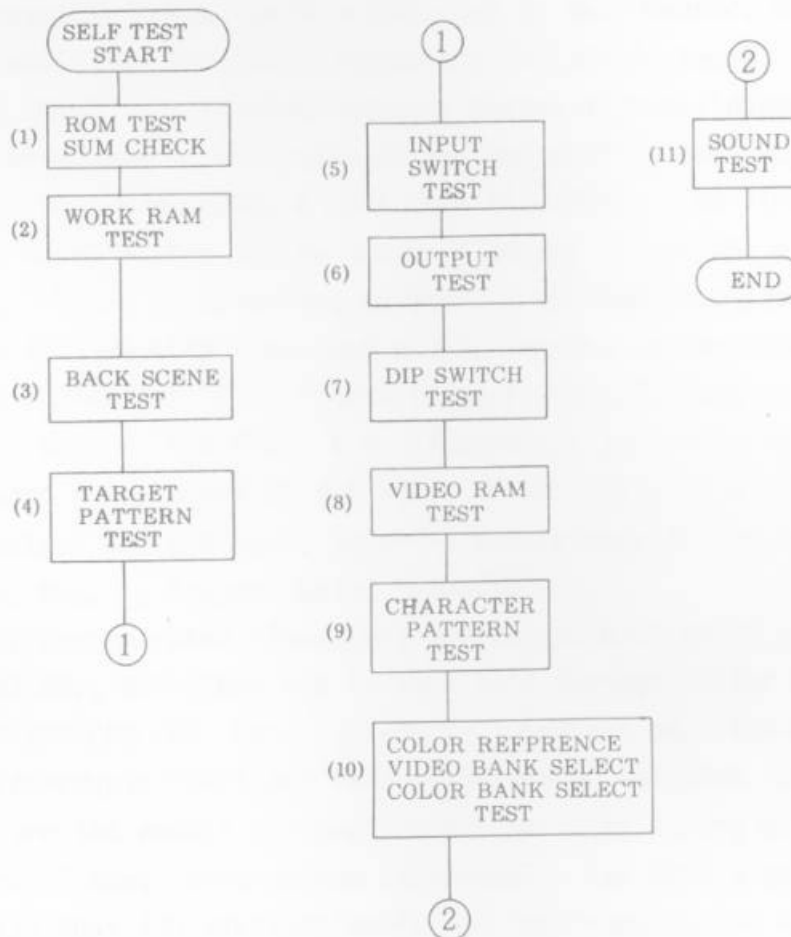
Coin B, and U15 and 18 input Coin A. U16 & 19 input service switch, while U64 & drives player start to I/O processor U9 (Zone 5-C, Sht. 1, Control Bd., 834-5166). IC111, 112 and 114 accesses/buffers Player Left/Right data, IC111 and 113 interfaces Fire data, and Option Selection is shared by all 4 74LS244's. Located on the Control Board is the Self-Test switch. When closed, it applies a LO to U4 p-17 (Zone 7-C, Sht. 1, Control Bd., 834-5166) initiating a systems/function verification outlined on the following page:



## Self-Test

CONGO BONGO™ is equipped with a diagnostics self-testing program that is initiated by pressing the Self-Test button located on the Control Board Assembly. The test is used to detect malfunctions in Video alignment, I/O interface and P.C.B. electronics.

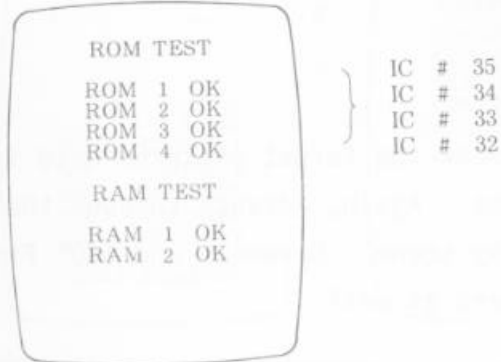
The test will appear in the following order, with the words "OK" or "BAD" being displayed on the screen in accordance with the condition of the tested circuit. Self-Test step sequencing is done by pressing the Player 1 button after each individual test.



## SELF-TEST (cont.)

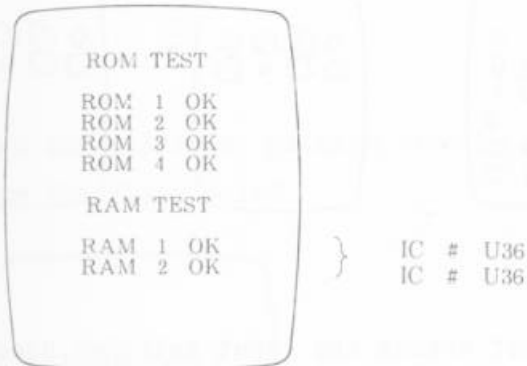
### 1. ROM Test

This test checks the four main program EPROMs by performing individual "check sum" tests. These EPROMs are located on the Control Board.



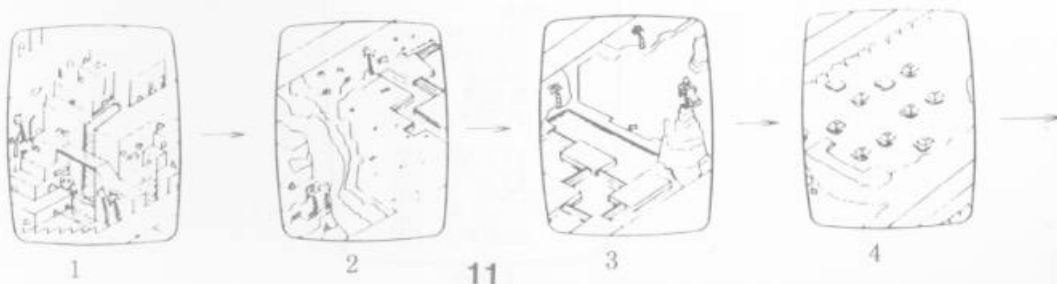
### 2. RAM Test

This test checks RAM 1 and RAM 2 by performing a cross-talk test between each adjacent bit in the RAMs. These RAMs are located on the Control Board.



### 3. Background Scene Test

This test checks the background displays of the game in eight (8) individual steps. Advance through the steps by pressing the Player 1 button, until the eighth display (a blank screen) is reached.





## SELF-TEST (cont.)

### 6. Output Test

This test verifies output ports used to interface computer software to game hardware.

```
OUTPUT TEST
COINAER  OK
COINBER  OK
SERVCEN  OK
COUNTA  OK
COUNTB
```

```
OUTPUT TEST
COINAEN  OK
COINBEN  OK
SERVCEN  OK
COUNTA  OK
COUNTB  OK
FLIP
```

```
OUTPUT TEST
COINAEN  OK
COINBEN  OK
SERVCEN  OK
COUNTA  OK
COUNTB  OK
FLIP
```

### 7. DIP Switches

Operation of the DIP Switches are checked here, internally, by simultaneously turning on, and then off, all odd switch positions, followed by all even switch positions. "Test 1" is displayed at the end of the cycle. Pressing the Player 1 button initiates "Test 2" for DIP Switch 2.

### 8. Video RAM Test

Here Video RAMs used for character pattern display are tested. These RAMs are located on the Video Board.

```
VRAM TEST
VRAM  OK
```

## SELF-TEST (cont.)

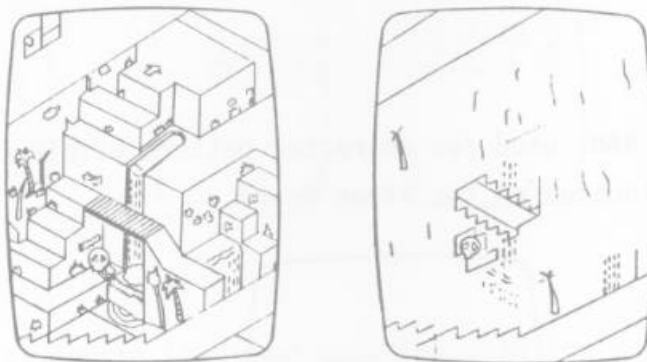
### 9. Character Pattern Test

This test checks the ROMs used for character patterns and picture patterns. During this test all the patterns contained within each ROM will be displayed. Character pattern ROMs are located on the Video Board.



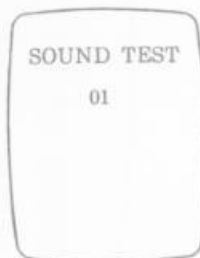
### 10. Color Control Reference Test

Character pattern and background picture color control is checked here by color reference changes with each pressing of the Player 1 button.



### 11. Sound Port Test

This test verifies that proper sound outputs are generated with each pressing of the Player 1 button. Twenty-nine individual sounds are generated, one at a time, sequenced by the Player 1 button, and appear in order on the following page.



SELF-TEST (cont.)

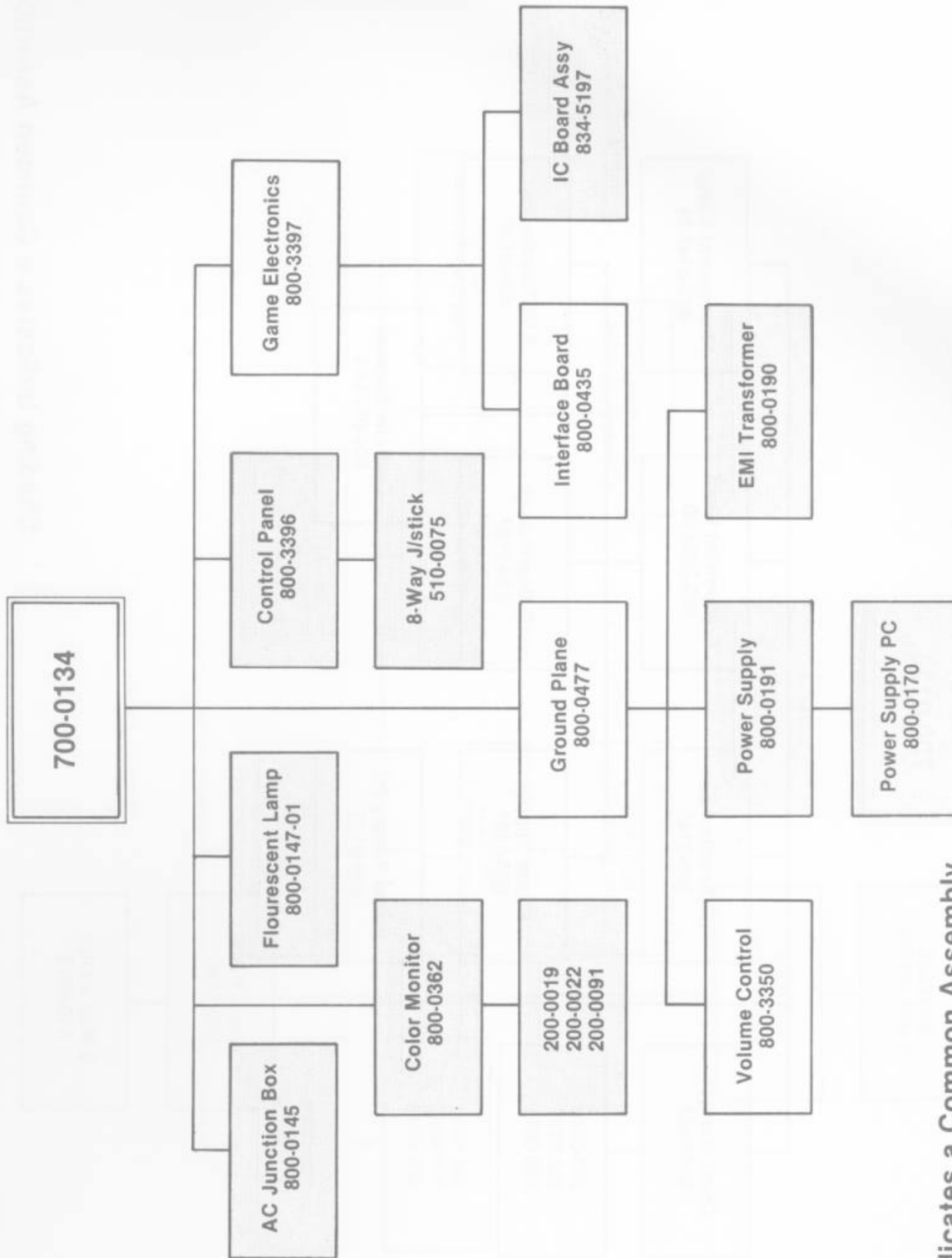
11. Sound Port Test (cont.)

- 01 No sound
- 02 Gorilla lullaby
- 03 Player victory music
- 04 Player clear music
- 05 "Player goes to Heaven" music (in the water)
- 06 "Player goes to Heaven" music (other than in the water)
- 07 Fire
- 08 Player step sound
- 09 Player drop sound
- 10 Player jump sound
- 11 "Monkey on my back" sound
- 12 Held by monkey sound
- 13 Hit by coconuts sound
- 14 "Crumbling crevasse" sound
- 15 Passage of snake sound
- 16 Rush of rhino sound (A)
- 17 Rush of rhino sound (B)
- 18 Rhino screeching to a stop sound
- 19 Player digging sound
- 20 Fish sound
- 21 Special Bonus sound
- 22 Credit sound
- 23 Gorilla laughing
- 24 Hippo sinking sound
- 25 Background music for scene # 1
- 26 Background music for scene # 2
- 27 Background music for scene # 3
- 28 Background music for scene # 4
- 29 Bonus score up sound

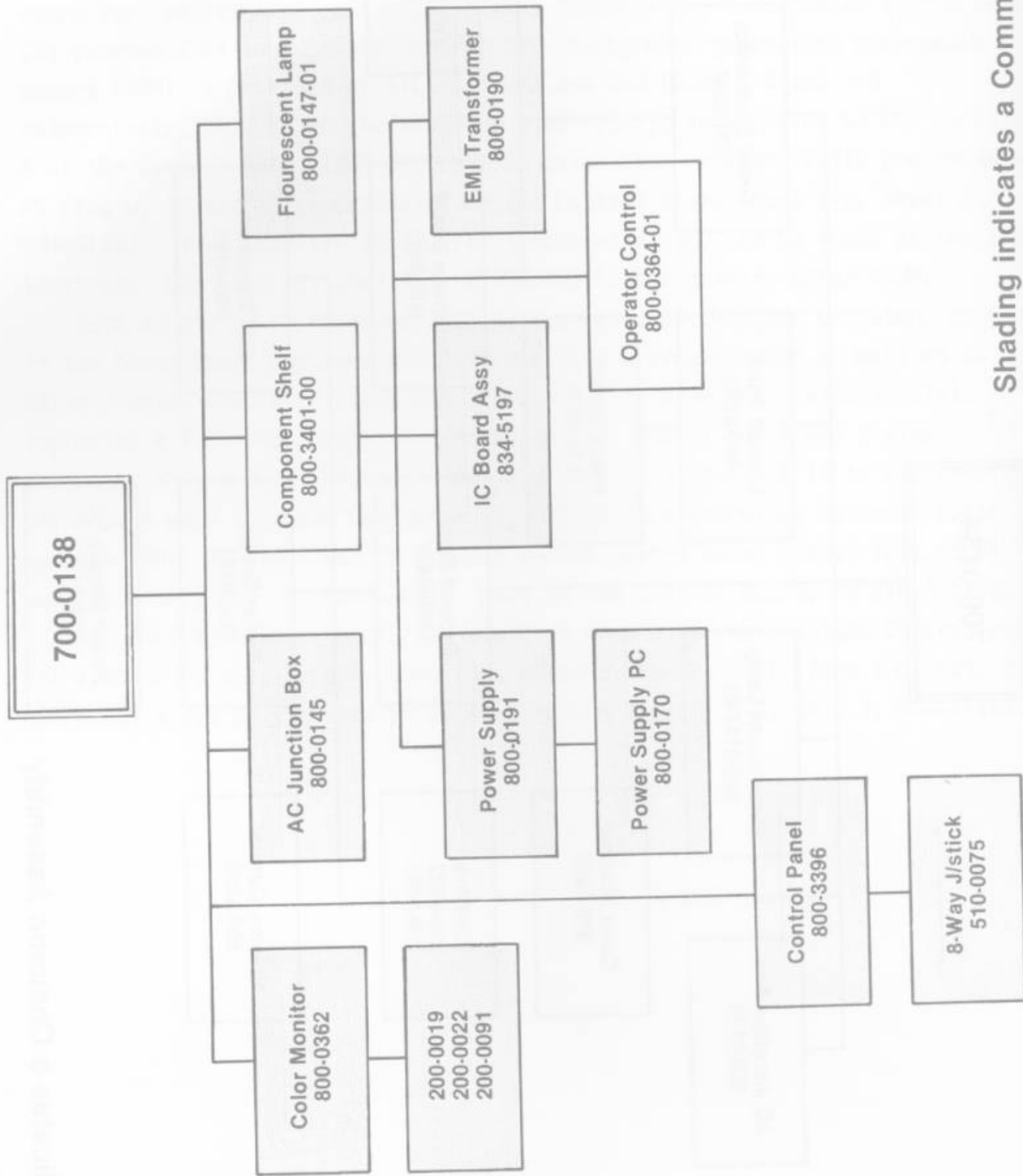
Due to the striking graphics employed in CONGO BONGO™, memory requirements for background generation are significant. On the VIDEO Bd. (834-5167) there are nine (9) 2764-30 64K X 8 EPROMs that hold video character, positioning, color and timing information, in addition to the five (5) program 2764-30's on the Control Bd. Background generation accessible memory (RAM) is provided by TTL IC's U12 and U53 (Zone 7-C and 3-D respectively, Sht. 2, on the VIDEO Bd., 834-5167), in addition to U59 on Sht. 4 of the Control Board (834-5166). RGB color data is found fully processed at P5 pins w, 19 and X respectively, on the Control Board (Zone 6-D, Sheet 2, 834-5166). Video COMPSYN (Composite Synchronization) can be found at the same location. U68 (Sht. 2, Zone 4-D, 834-5166) is the primary color PROM.

Just as the microprocessor Z80A is the heart of the game computer, so too is the Sound Board equipped with its own Z80A microprocessor as well as an 8255A-C Sound Generator (Zone 4-C & 7-C, Sht. 1, 834-5168, respectively). Employing a 4.00 MHz crystal-driven (Zone 6-D, Sht. 1 834-5168) timing frequency at pin 6, U3 processes program data held by U10 & 11 to set enable parameters used by Sound Generator U1. U1 in turn processes external noise sources (Sht. 2, 834-5168) to produce an integrated sound output felt at P1 p-9 (Zone 8-C, Sht. 1, 834-5168). Back on the Control Board, P4 pin-3 (Sht. 3, Zone 5-C, 834-5166) inputs our sound to OP Amp U2, thru Volume Control pot. VR1 (Zone 8-D, Sht. 3, 834-5166) to the Audio Amplifier U1 (Zone 7-C, Sht. 3, 834-5166) & out to the speaker at P5 pins H & 7 (Zone 8-B, Sht. 3, 834-5166).

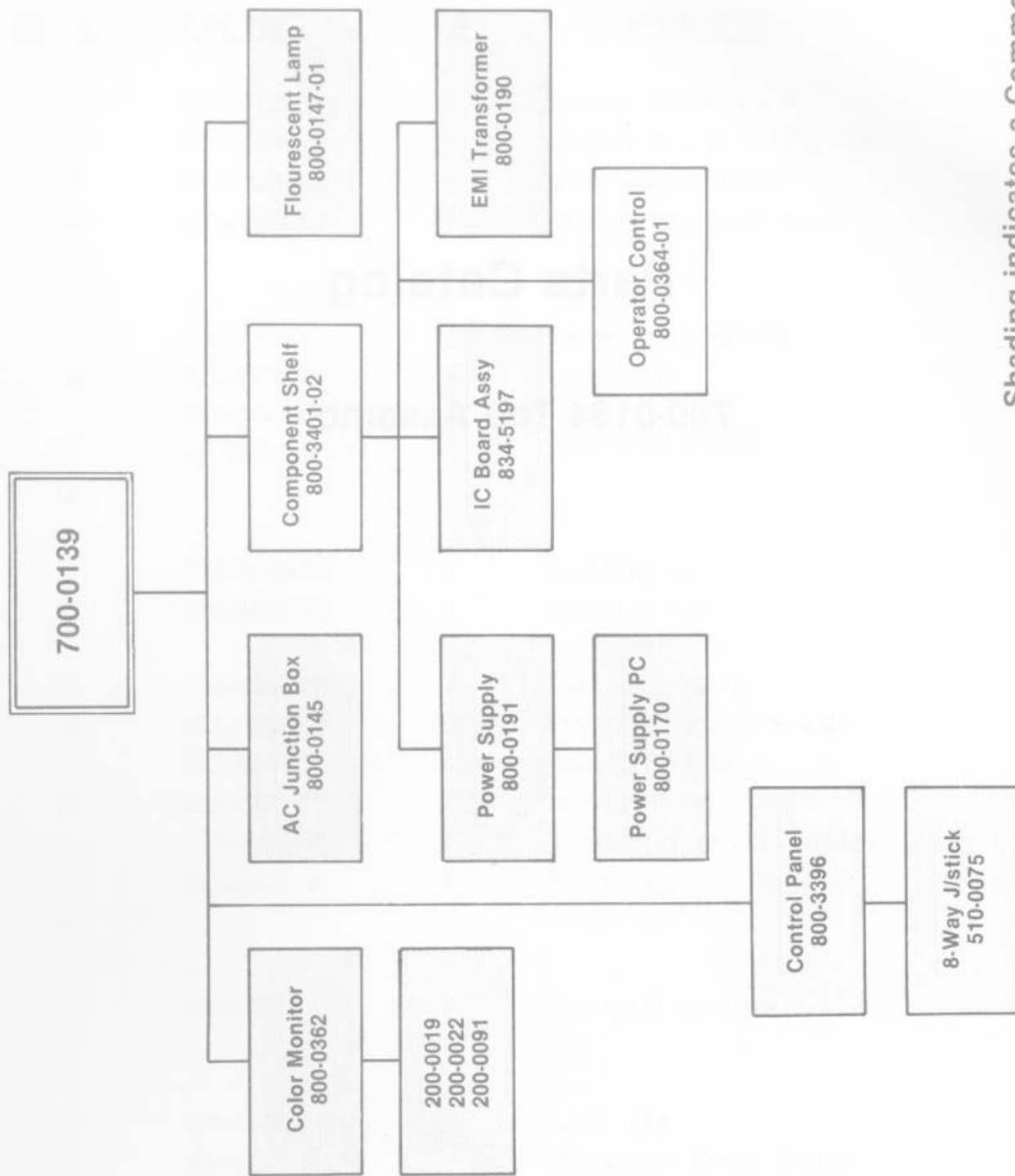
# Assembly Organization



Shading indicates a Common Assembly



Shading indicates a Common Assembly



Shading indicates a Common Assembly

# Parts Catalog

## 700-0134 Top Assembly

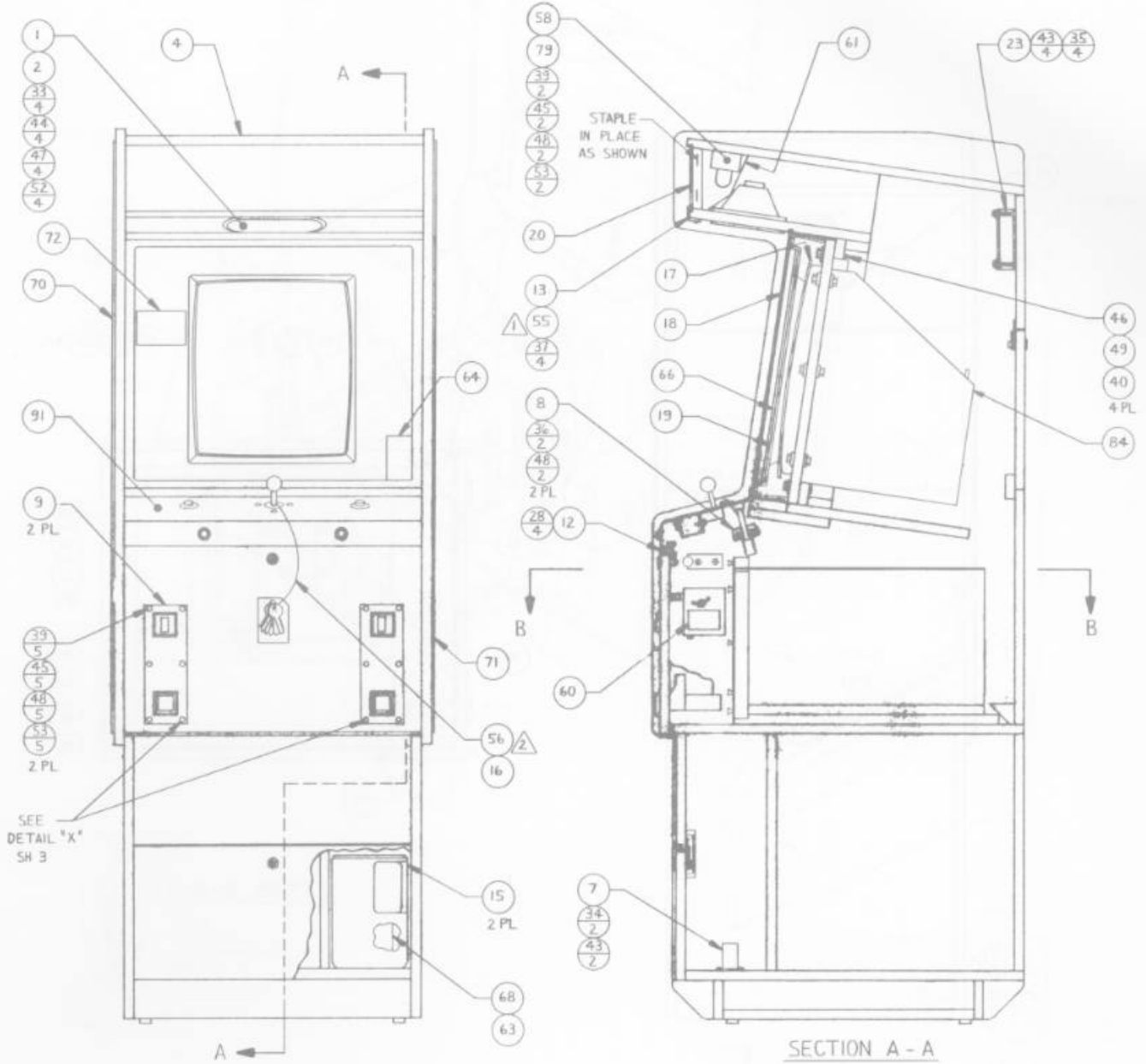


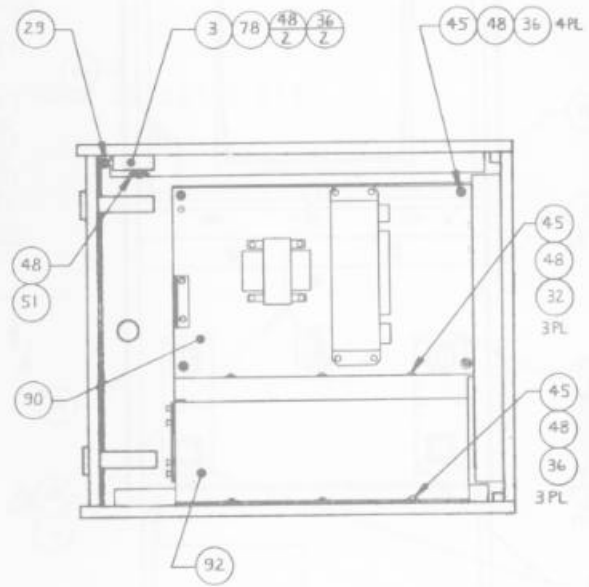
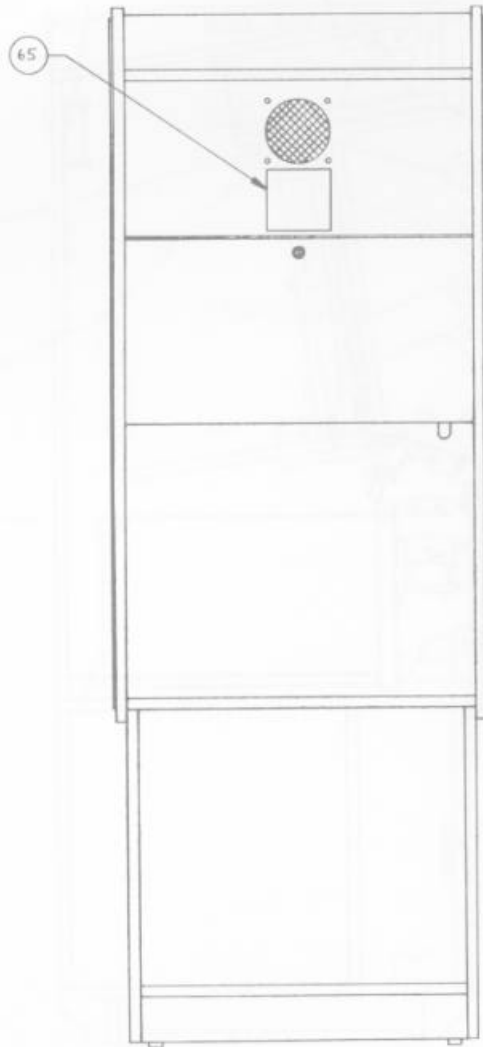
<u>ITEM NO.</u>	<u>PART NO.</u>	<u>QTY.</u> <u>REQD.</u>	<u>DESCRIPTION</u>
1	130-0002-00	1	Speaker Cover 6 x 9
2	130-0020-00	1	Speaker 6 x 9, 8 OHM, 10W
3	140-0021-00	1	Cover Junction Box
4	140-0055-03	1	Cabinet Universal Game
5			
6			
7	220-0008-00	1	Counter Digital 6V
8	220-0178-00	2	Draw Catch
9	220-0194-00 or 220-0195-00	2	Coin MECH W/Lamp
10			
11			
12	250-0038-00	1	Moulding Strip
13	250-0492-00	1	Moulding logo
14			
15	253-0222-00	2	Coin Receptacle
16	253-0238-00	1	Plastic Bag 3.00 x 4.00
17	253-0254-00	1	Mask CRT 19 IN.
18	253-0228-00	1	Monitor Panel Clear
19	253-0284-00	1	Bezel Plastic CRT Vertical
20	253-0328-00	1	Panel logo
21			
22			
23	260-0001-00	1	Fan Axial Cooling
24			
25			
26	280-0005-00	40	Cable Tie
27	280-0362-00	2	Electrical Crimp Sleeve
28	280-0475-00	30	Staple
29	280-0495-00	1	Spring, CPRSN .360 OD
30			

<u>ITEM NO.</u>	<u>PART NO.</u>	<u>QTY.</u> <u>REQD.</u>	<u>DESCRIPTION</u>
31	281-0004-12	1	SCR 8-32 x .750 PN HD PHIL MACH
32	281-0006-08	4	SCR 10-32 x .500 PN HD PHIL MACH
33	281-0014-28	4	SCR 8-32 x 1.75 OVH PHIL MACH
34	281-0042-12	2	SCR 6-20 x .750 PN HD PHIL Sheet Metal Type AB
35	281-0042-32	4	SCR 6-20 x 2.00 PN HD PHIL Sheet Metal Type AB
36	281-0045-12	15	SCR 10-16 x .750 PN HD PHIL Sheet Metal Type AB
37	281-0134-12	4	SCR 8-18 x .750 PN HD PHIL Sheet Metal Type AB, Black
38	283-0062-05	1	Washer #8 Lock INT Tooth
39	282-0005-20	14	Bolt 10-24 x 1.25 CRG HD, MACH, Black
40	282-0017-24	4	Bolt 1/4-20 x 1.50 HEX HD MACH
41	283-0060-23	1	Washer #8 Flat, STL, Wide
42	283-0060-24	2	Washer #10 Flat, STL, Narrow
43	283-0060-18	6	Washer #6 Flat, STL, Narrow
44	283-0060-22	5	Washer #8 Flat, STL REG
45	283-0060-25	26	Washer #10 Flat, STL, REG
46	283-0060-34	4	Washer # 1/4 Flat, STL, LGE
47	283-0061-05	4	Washer #8 Lock, Split, STL
48	283-0061-06	33	Washer #1- Lock, Split, STL
49	283-0061-08	4	Washer # 1/4 Lock, Split, STL
50	283-0072-16	1	Nut 10-32 HEX MACH
51	283-0071-14	1	Nut 10-24 Wing, STL, MACH
52	283-0072-13	5	Nut 8-32 HEX, MACH
53	283-0072-15	14	Nut 10-24 HEX, MACH
54	289-0002-02	2	Cable Clamp .250 Nylon
55	320-0020-00	2'	Sealant Foam
56	320-0051-00	1'	Tie Ribbon Wire Plastic Coated
57			

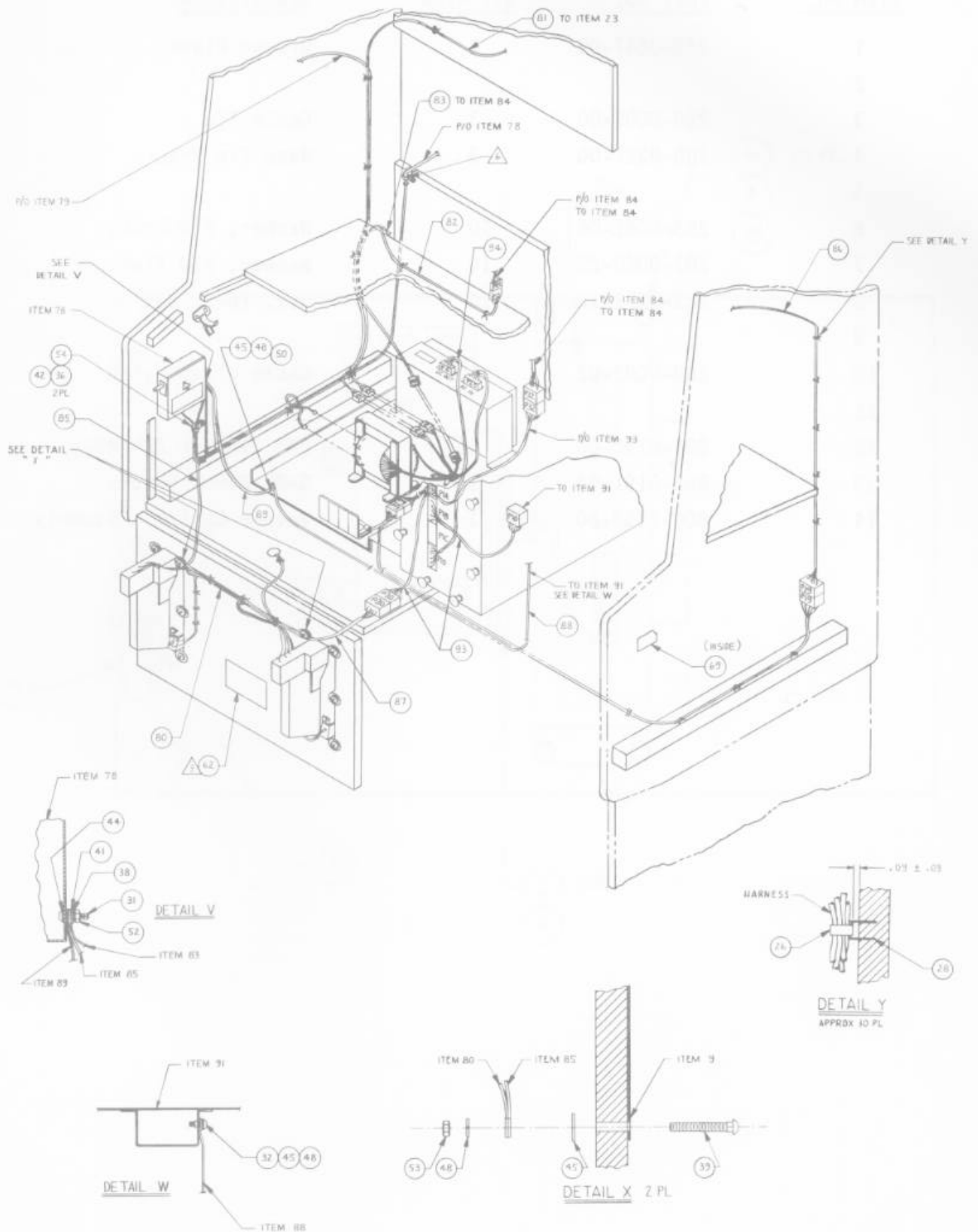
<u>ITEM NO.</u>	<u>PART NO.</u>	<u>QTY.</u> <u>REQD.</u>	<u>DESCRIPTION</u>
58	390-0019-00	1	Lamp Fluorescent
59			
60	420-0030-00	1	Decal Caution 115V
61	420-0624-00	1	Light Baffle
62	420-0793-00	1	Decal Toll Free No.
63	420-0912-00	1	Decal FCC Rules Compliance
64	420-0914-07	1	Decal Original Game Seal
65	420-0917-00	1	Decal FCC Warning
66	420-0977-00	1	Graphic Interior
67	420-0978-00	1	Decal, Box
68	420-0979-00	1	Manual
69	420-0982-0	1	Decal Dip SW Settings
70	420-0993-00	1	Graphic Side Right
71	420-0994-00	1	Graphic Side Left
72	420-1007-00	1	Decal Game Instructions
73			
74			
75			
76			
77			
78	800-0145-00	1	Assy. AC Junction Box
79	800-0147-01	1	Fluorescent Lamp Assy. 2 UL
80	800-0232-00	1	Assy. Harn. GND
81	800-0322-00	1	Assy. Cord Fan
82	800-0329-00	1	Assy. Harn. Monitor AC
83	800-0330-00	1	Assy. Harn. GND Monitor
84	800-0362-00	1	Assy. Monitor CLR Vertical
85	800-0370-00	1	GND Strap
86	800-0371-00	1	Assy. Speaker Harn.
87	800-0372-00	1	Harn. Coin MECH
88	800-0423-06	1	Assy. GND Strap

<u>ITEM NO.</u>	<u>PART NO.</u>	<u>QTY.</u> <u>REQD.</u>	<u>DESCRIPTION</u>
89	800-0423-07	1	Assy. GND Strap
90	800-0477-00	1	Assy. Ground Plane
91	800-3396-00	1	Control Panel Assy.
92	800-3397-00	1	Assy. Game Electronics
93	800-3399-00	1	Master Harn. Assy.
94	800-0478-00	1	Power Harn. Assy.
	420-0780-00	REF	Game Shipping Kit





SECTION B-B

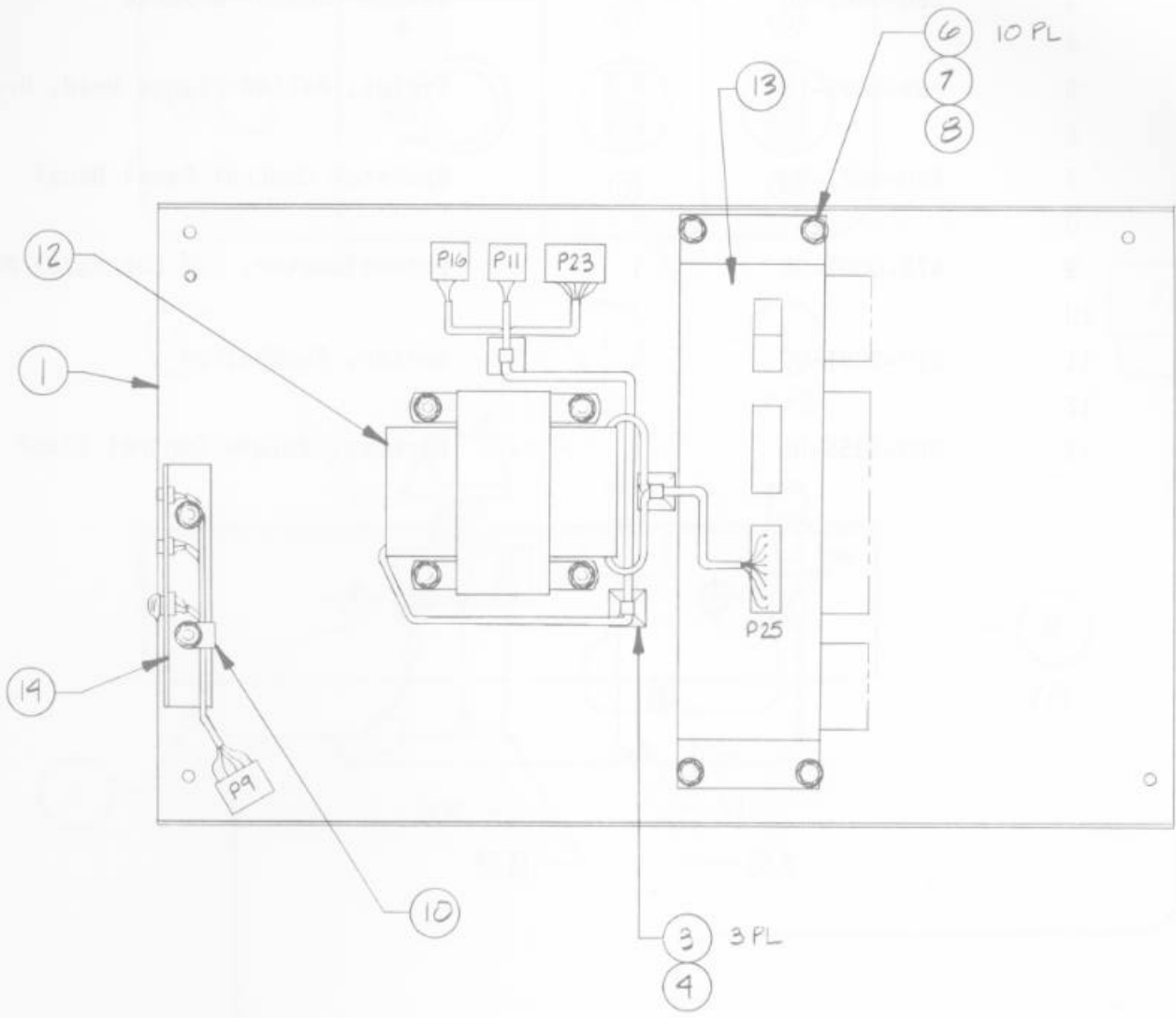


## GROUND PLANE ASSEMBLY

DRAWING NUMBER 800-0477

<u>ITEM NO.</u>	<u>PART NO.</u>	<u>QTY REQD.</u>	<u>DESCRIPTION</u>
1	250-0647-00	1	Ground Plane
2			
3	280-0005-00	3	Cable Tie
4	280-0327-00	3	Base Tie Wrap
5			
6	283-0061-06	10	Washer, #10 Lock.
7	283-0060-25	10	Washer, #10 Flat
8	283-0072-16	10	Nut, 10-32 Hex
9			
10	289-0002-02	1	Cable Clamp Nylon
11			
12	800-0190-00	1	EMI Xformer Assembly
13	800-0191-04	1	G-80 Power Supply
14	800-3350-00	1	Volume Control Assembly





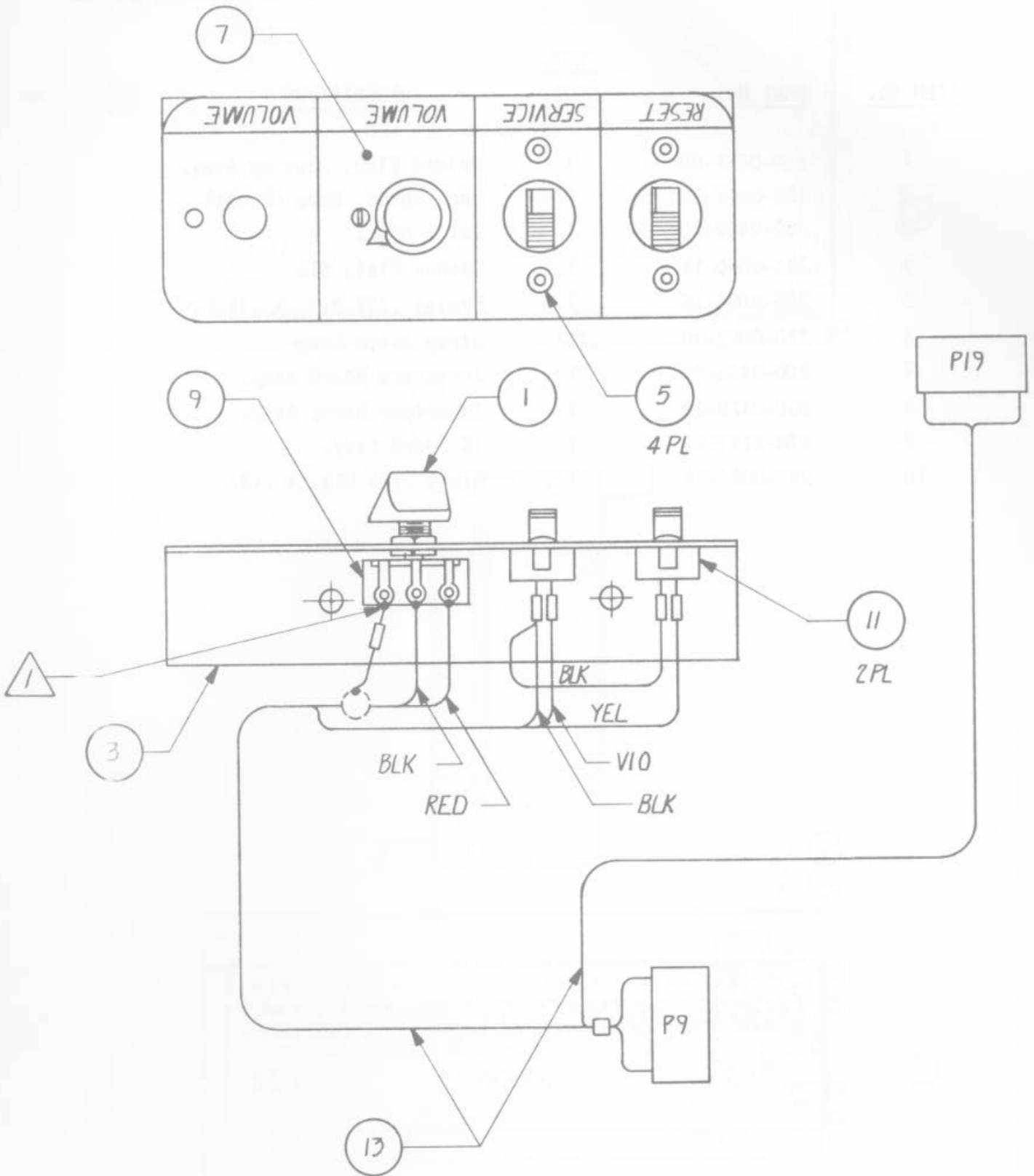
VOLUME CONTROL BLOCK ASSEMBLY

DRAWING NUMBER 800-3350

<u>ITEM NO.</u>	<u>PART NO.</u>	<u>QTY REQD.</u>	<u>DESCRIPTION</u>
1	240-0001-00	1	Volume Control Knob
2			
3	250-0462-00	1	Volume Control Bracket
4			
5	289-0003-18	4	Eyelet, Rolled Flange Head, Brass
6			
7	420-0623-00	1	Operator Control Panel Decal
8			
9	475-0007-00	1	Potentiometer, 10K Car Panel Mnt.
10			
11	510-0051-00	2	Switch, Pushbutton
12			
13	800-3355-00	1	Harness, Volume Control Block

# Volume Control Assembly

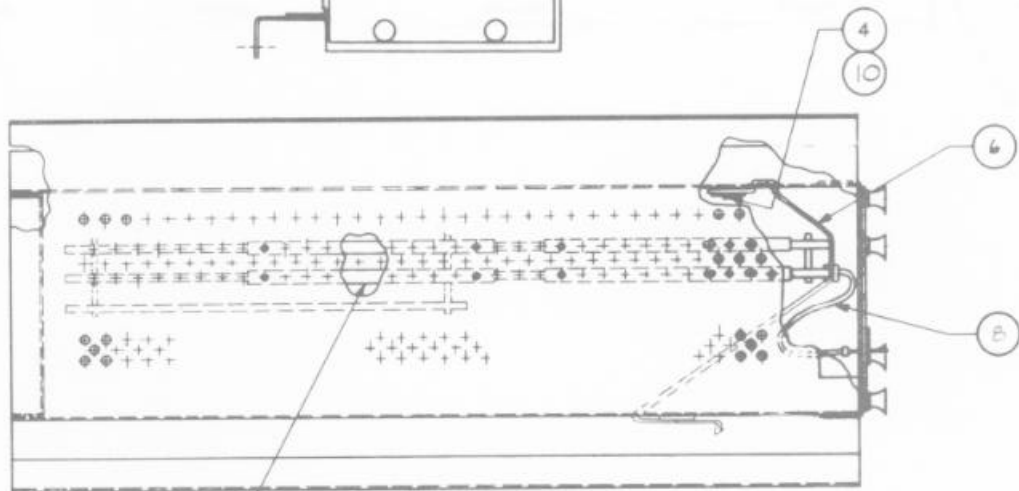
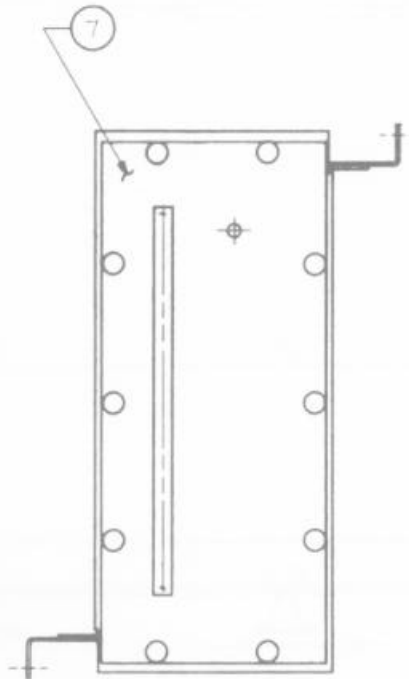
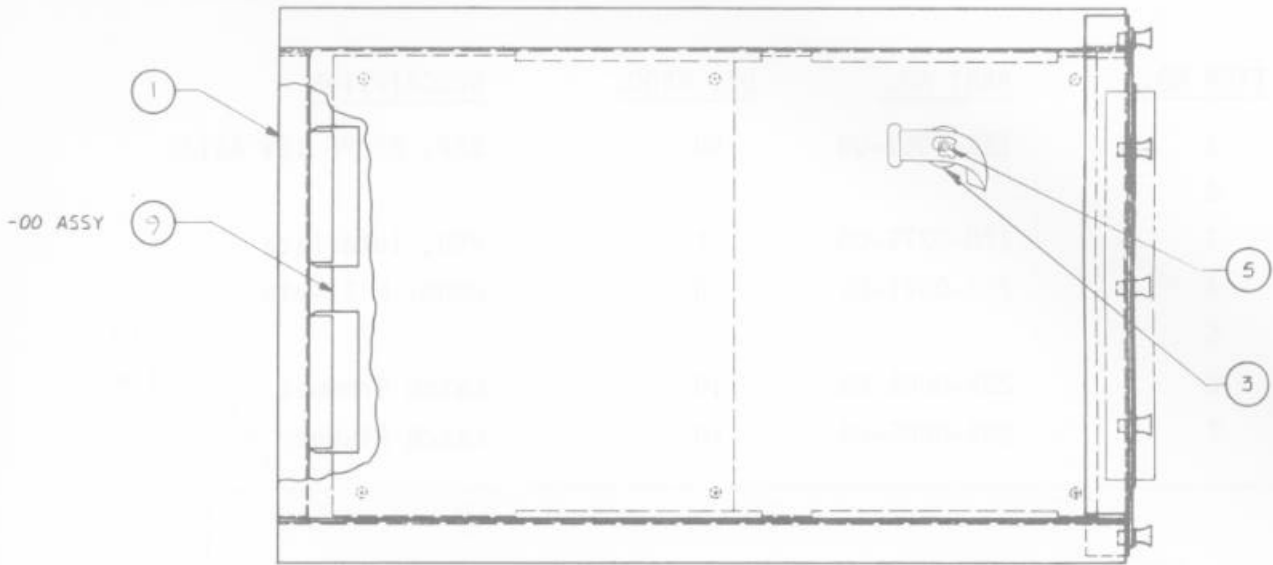
800-3350



GAME ELECTRONICS ASSEMBLY

DRAWING NUMBER 800-3397

<u>ITEM NO.</u>	<u>PART NO.</u>	<u>QTY.</u> <u>REQD.</u>	<u>DESCRIPTION</u>
1	250-0621-00	1	Welded Elec. Housing Assy.
2	253-0309-00	8	Card Guide, Deep Channel
3	280-0499-00	1	Velco Disc.
4	283-0060-14	1	Washer Flat, STL
5	289-0003-16	1	Eyelet .121 Dia. x .187 LG
6	320-0062-00	.75'	Strap Velco Loop
7	800-0435-00	1	Interface Board Assy.
8	800-0479-00	1	Interface Harn. Assy.
9	834-5197-00	1	IC Board Assy.
10	283-0064-04	1	Rivet .125 Dia. x .187

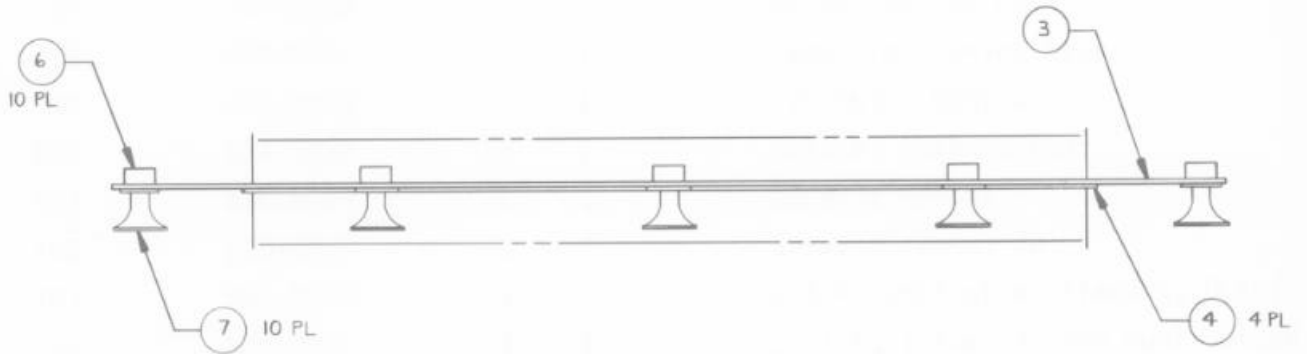
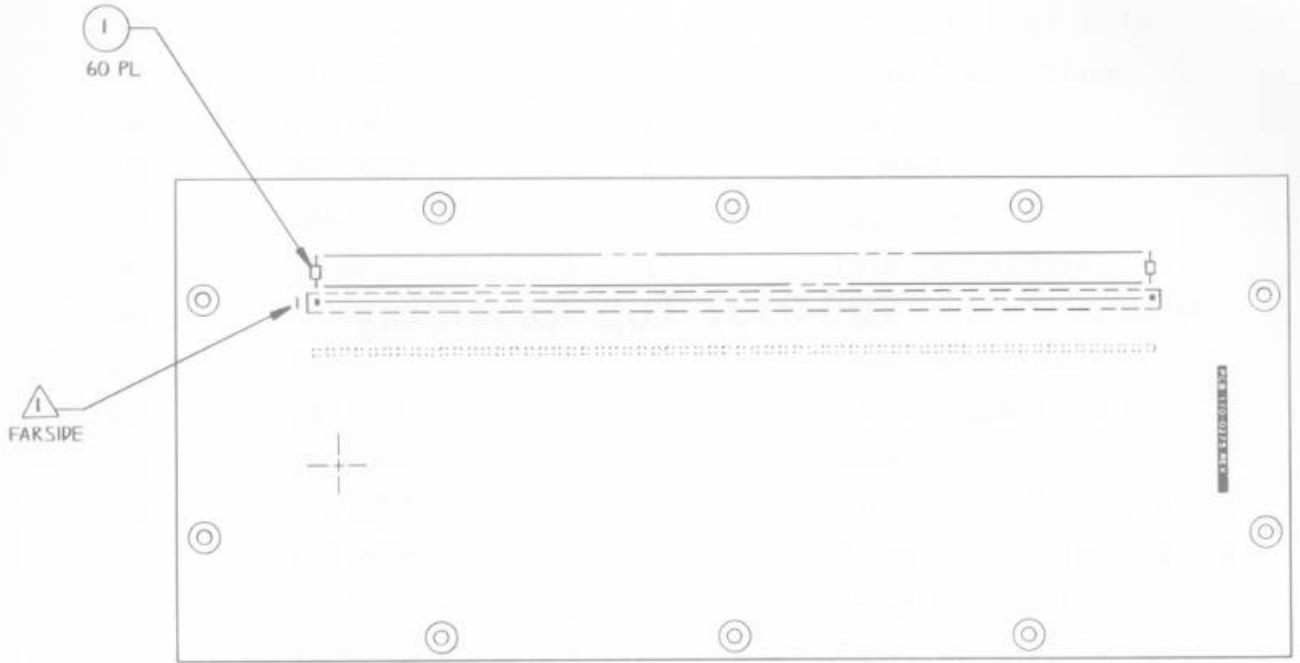


2  
BPL

INTERFACE BOARD ASSEMBLY

DRAWING NUMBER 800-0435

<u>ITEM NO.</u>	<u>PART NO.</u>	<u>QTY REQD.</u>	<u>DESCRIPTION</u>
1	151-0061-00	60	CAP, 220PF 16V AXIAL
2			
3	170-0275-00	1	PCB, Interface
4	212-0021-00	6	CONN. M 10-pin
5			
6	289-0005-05	10	Latch Grommet
7	289-0005-06	10	Latch Plunger



700-0137

700-0137

700-0137

700-0137

700-0137

700-0137

700-0137

700-0137

700-0137

700-0137

700-0137

700-0137

700-0137

700-0137

700-0137

700-0137

700-0137

700-0137

700-0137

700-0137

700-0137

700-0137

700-0137

700-0137

700-0137

700-0137

700-0137

700-0137

# 700-0137 Top Assembly



## TOP ASSEMBLY

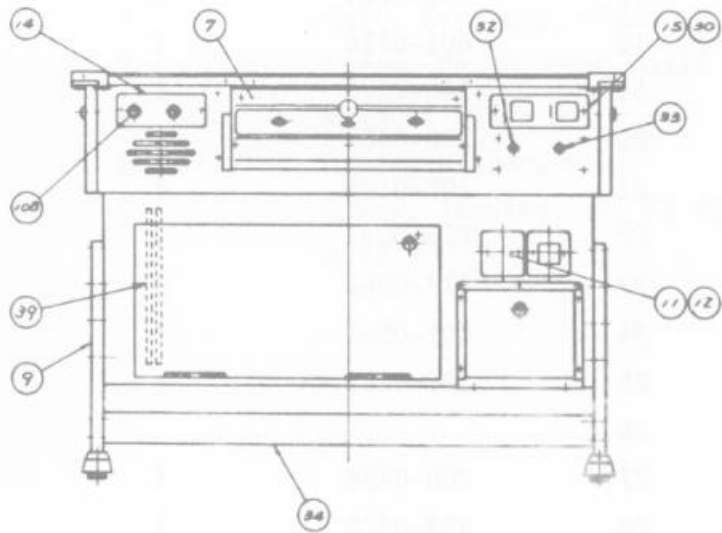
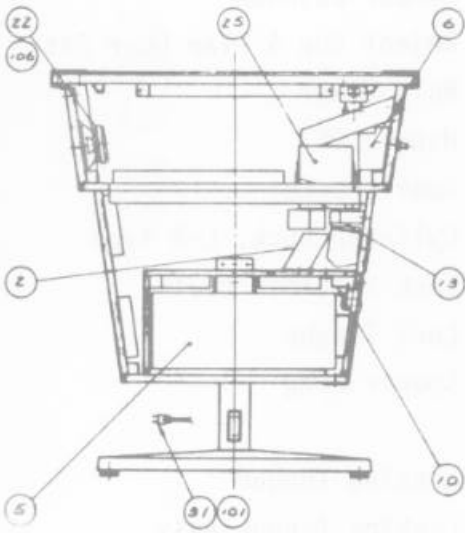
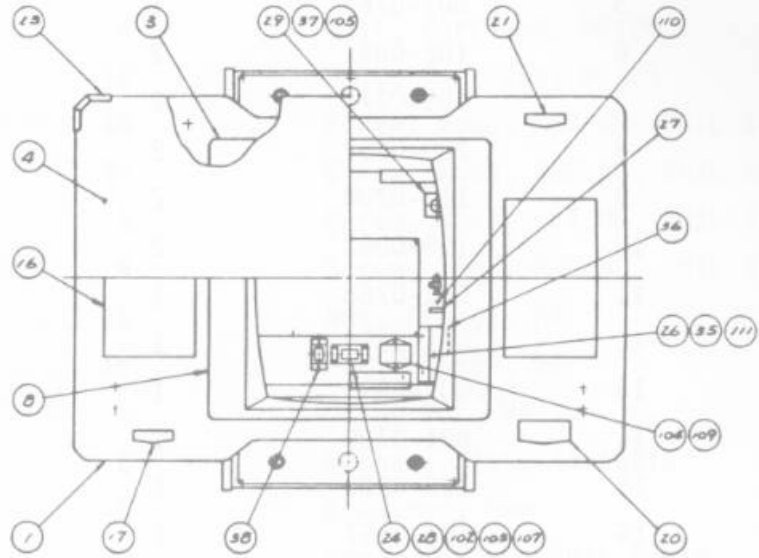
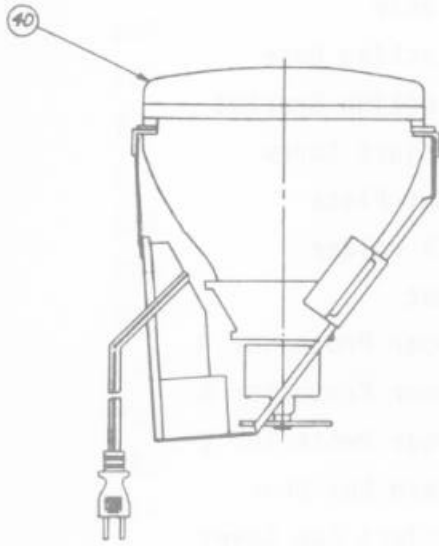
DRAWING NUMBER 700-0137

ITEM NO.	PART NO.	QTY REQD.		DESCRIPTION
		-00	-01	
1	834-0327	1	1	T8 Cabinet Accessory Assy
2	220-0190	2	2	Lower Coin Chute
3	601-0662	1	1	CRT Mask, Grey Smoke
4	275-0078	1	1	Table Glass, Black
5	220-0191	1	1	Cash Box
8	601-0663	1	1	TV Mask
9	601-0664	2	2	Leg Assy
15	117-0169	1	1	Coin Entry Plate
16	420-1010	1	1	Play Instructions Decal
20	420-0755	1	1	Denomination Decal
22	117-0170	1	1	Speaker Guard Plate
23	601-0542	1	1	Hook
25	220-0084	2	2	Coin Chute, Rejector-type
30	117-0202	1	1	Denomination Plate, 25¢ X 2
	117-0171	1	1	Denomination Plate, 25¢
31	834-0125	1	1	Cable and Plug Assy
32	240-0120	2	2	Reject Button Assy
39	834-5165	1	1	Game Electronics Assy
40	200-0039	1	1	19" Color Monitor
102	509-0039	1	1	Switch, Push Button
103	420-0979	1	1	Owner's Manual
106	130-0017	1	1	Speaker, 8ohm, 3W
107	601-0444	1	1	C & R Combination Element, 0.1uf
108	509-0117	1	1	Switch, Illum. Yellow Push Button
109	601-0429	1	1	Noise Filter, AC 250V, 4A
111	420-1008	1	1	Volume Control Decal
	420-0982	1	1	DIP Switch Decal
	420-0914-07	1	1	Game Seal Decal
	420-0912	1	1	FCC Compliance Decal
	117-0234	1	1	Control Panel Overlay
	117-0204	-	1	8-Way Guide Plate
	250-0656	-	1	Bracket (WF-0001X)
	250-0657	-	1	Bracket (WF-0002)

TOP ASSEMBLY

DRAWING NUMBER 700-0137

<u>ITEM NO.</u>	<u>PART NO.</u>	<u>QTY REQD.</u>		<u>DESCRIPTION</u>
		-00	-01	
	250-0658	-	1	Bracket (WF-0003)
	283-0072-07	6	-	Nut, 4-40 Hex
	283-0060-13	6	-	Washer, #4 Flat
	283-0061-02	6	-	Washer, #4 Lock
	211-0173-00	6	-	Shorting Clip

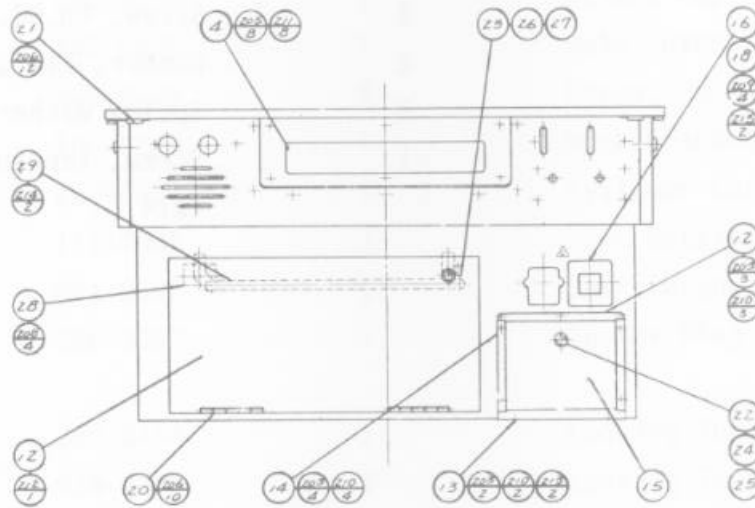
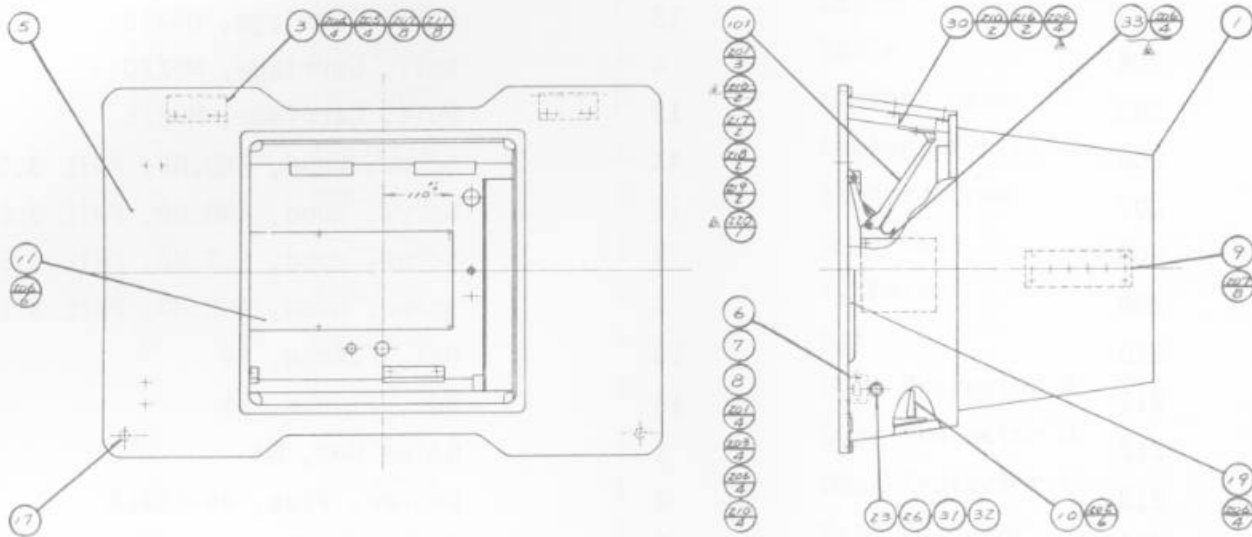


## T8 CABINET ACCESSORY ASSEMBLY

DRAWING NUMBER 834-0327

<u>ITEM NO.</u>	<u>PART NO.</u>	<u>QTY REQD.</u>	<u>DESCRIPTION</u>
1	140-0074	1	Wooden Cabinet, T8
2	601-0761	1	Service Door
3	280-0451	2	Hinge, 95
4	105-0275	2	Cabinet Support Bracket
5	601-0762	1	Table
6	102-0047	2	Locking Base
7	105-0276	2	Locking Bracket
8	280-0452	2	Adjust Screw
9	117-0200	2	Nut Plate
10	109-0057	2	TV Holder
11	601-0763	1	Net
12	601-0698	1	Door Protector A
13	601-0699	1	Door Protector B
14	601-0700	1	Door Protector C
15	220-0204	1	Cash Box Door
16	601-0657	1	Reject Cup Cover
17	601-0764	2	Rubber Cushion
18	601-0416	1	Reject Cup & Flap Door Assy
19	140-0075	2	Hole Cover
20	280-0405	2	Hinge, 95
21	105-0198	4	Hook Bracket
22	220-0097	1	Cylinder Lock, L-S type
23	117-0062	3	Lock Retainer Plate
24	601-0587	1	Lock Tongue
25	280-0453	1	Spacer Ring
26			
27	280-0454	1	Locking Tongue
28	834-0328	1	Locking Tongue Assy
29			
30	109-0058	1	Stay Holder
31	280-0463	2	Locking Tongue
32			
33	117-0201	1	Guard Plate

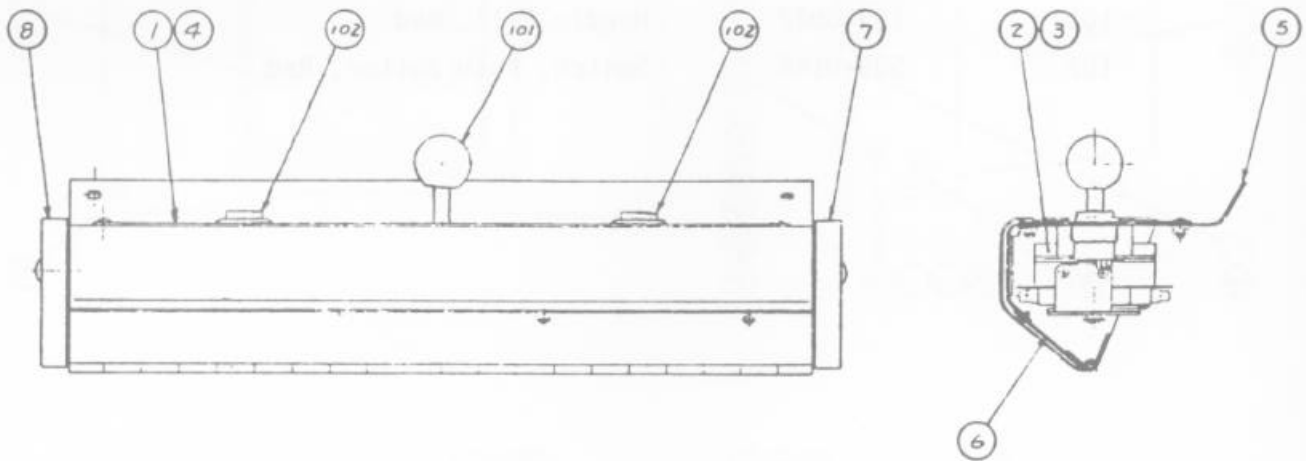
<u>ITEM NO.</u>	<u>PART NO.</u>	<u>QTY REQD.</u>	<u>DESCRIPTION</u>
101	601-0765	1	Stay
201		7	Screw, M4X10 PN.HD. PHIL
202		6	Screw, M5X10 PN.HD. PHIL
203		13	Bolt, Carriage, M4X20
204		4	Bolt, Carriage, M5X20
205		12	Bolt, Carriage, M5X25
206		44	Screw, Wood, RND.HD. PHIL 3.5X13
207		16	Screw, Wood, RND.HD. PHIL 3.5X16
208		4	Screw, Wood, FLT.HD. PHIL 3.5X13
209		4	Screw, Wood, RND.HD. PHIL 3.1X13
210		15	Nut, Flange, M4
211		16	Nut, Flange, M5
212		1	Onime Nut, M4
213		2	Washer, Flat, 44-16X16
214		2	E Washer, 5mm
215		2	Screw, PN.HD. PHIL M3X14
216		2	Bolt, Carriage, M4X25
217		2	Screw, PN.HD. PHIL M4X18
218		2	Washer, Flat, M4
219		2	Spring Washer, M4
220		1	Screw, Tapping, #1, PN.HD. PHIL 4X14



## CONTROL PANEL ASSEMBLY

DRAWING NUMBER 834-0330

<u>ITEM NO.</u>	<u>PART NO.</u>	<u>DESCRIPTION</u>
1	117-0203	Control Panel Plate
2	834-0331	8-Way Joystick Assembly
3	117-0164	Slider Plate
4		
5	102-0048	Control Panel Base, Upper
6	102-0049	Control Panel Base, Lower
7	601-0766	Ornament Board, A
8	601-0767	Ornament Board, B
101	109-0042	Handle Ball, Red
102	509-0146	Switch, Push Button, Red

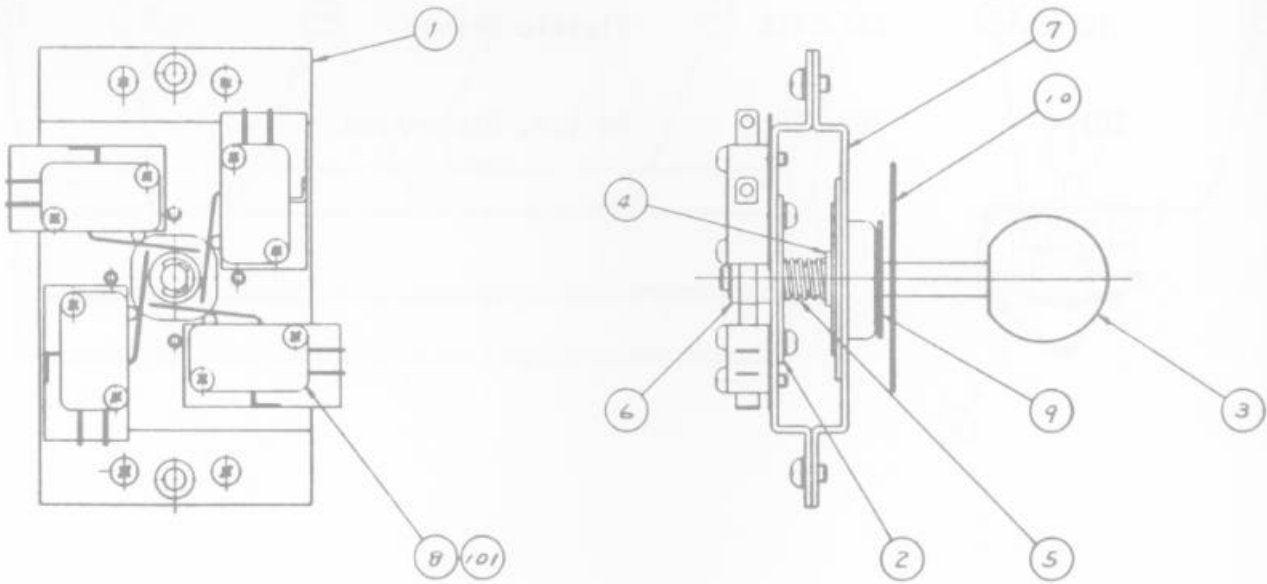




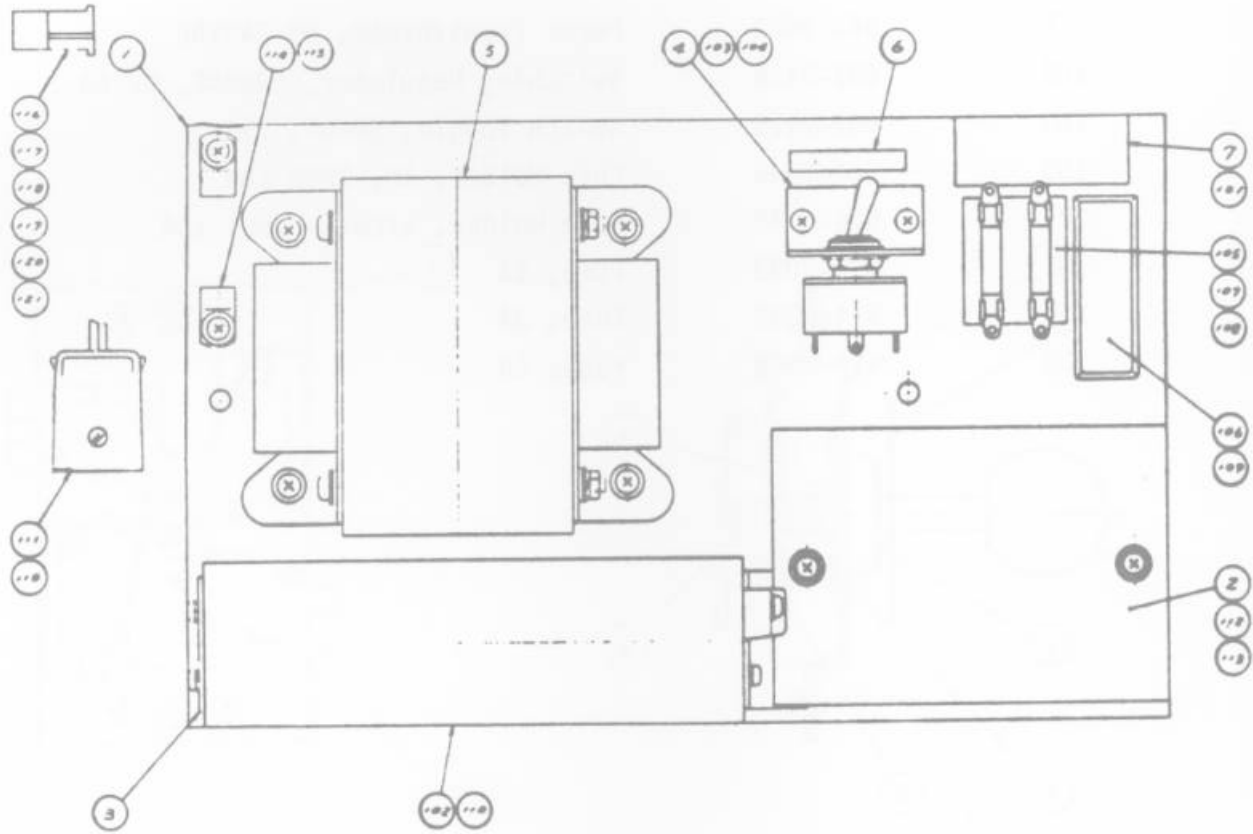
## 8-WAY JOYSTICK ASSEMBLY

DRAWING NUMBER 834-0031

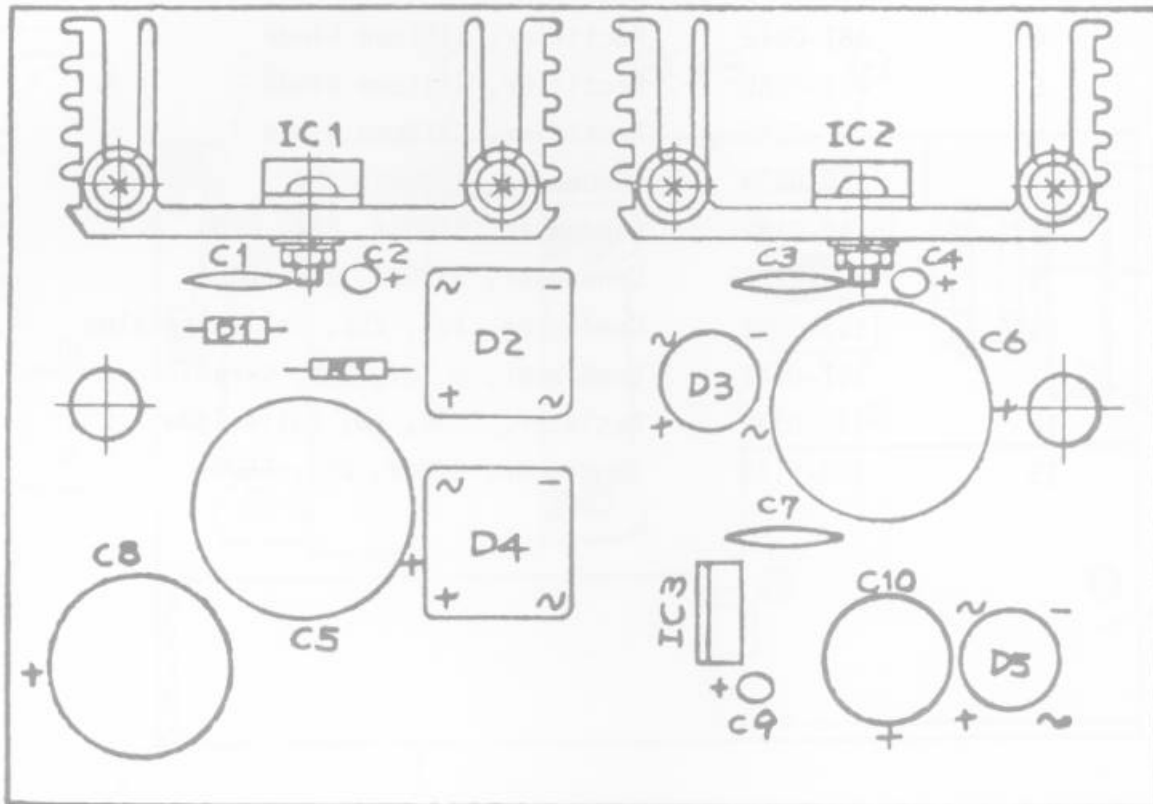
<u>ITEM NO.</u>	<u>PART NO.</u>	<u>DESCRIPTION</u>
1	105-0277	Bracket
2	117-0204	Guide Plate, 8-Way
3	834-0332	Handle Assembly
4	601-0768	Sleeve
5	125-0102	Compression Spring
6	104-0007	Actuator
7	834-0333	Bracket w/Bearing Assembly
8		
9	117-0164	Slider Plate
10	280-0455	Plastic Washer
101	509-0131	Switch, Micro-type



<u>ITEM NO.</u>	<u>PART NO.</u>	<u>DESCRIPTION</u>
1		
2	601-0612	Regulator Unit
3		
4		
5	560-0067	Power Transformer, 90-240VAC
102	601-0158	Switching Regulator, 100VAC, 5V 6A
103	509-0115	Switch Toggle, SP-DT, 15A
105	514-0046	Fuse Holder, 1P, 125V 10A
106	514-0045	Fuse Holder, w/Cover 250V 10A
107	514-0033	Fuse, 1A
108	514-0002	Fuse, 3A
109	514-0034	Fuse, 5A



<u>ITEM NO.</u>	<u>PART NO.</u>	<u>DESCRIPTION</u>
1	312-0070	IC, uA 78M12UC
2	313-0014	IC, uA 7812UC
3	312-0042	IC, uA 7805UC
4	481-0042	Rectifier, Silicon Diode
5	481-0065	Rectifier, Silicon Diode
6	481-0049	Rectifier, Silicon Diode
7	150-0008	Condenser, 2200uf, 25V
8	150-0182	Condenser, 3300uf, 25V, CE04
9	150-0206	Condenser, 3300uf, 16V, CE04
10	153-0002	Condenser, 1uf, 25V, Solid Tantalum
11	151-0041	Condenser, 0.1uf, 25V, Ceramic
12	470-0332	Resistor, 3.3K, 1/4W, Solid Type
13	150-0154	Condenser, 470uf, 25V, CE04



## PCB ASSEMBLY

<u>Part No.</u>	<u>Description</u>	<u>Ref Des.</u>
Resistors	R carbon 1/4 sb 680 Ohm	R101
	R carbon 1/4 sb 680 Ohm	R102
	R carbon 1/4 sb 2.2k Ohm	R103
	R carbon 1/4 sb 390 Ohm	R104
	R carbon 1/4 sb 2.2k Ohm	R105
	R carbon 1/4 sb 390 Ohm	R106
	R carbon 1/4 sb 1K Ohm	R107
	R carbon 1/4 sb 680 Ohm	R111
	R carbon 1/4 sb 780 Ohm	R112
	R carbon 1/4 sb 15K Ohm	R113
	R carbon 1/4 sb 390 Ohm	R114
	R carbon 1/4 sb 2.2K Ohm	R115
	R carbon 1/4 sb 390 Ohm	R116
	R carbon 1/4 sb 1K Ohm	R117
	R carbon 1/4 sb 680 Ohm	R121
	R carbon 1/4 sb 680 Ohm	R122
	R carbon 1/4 sb 390 Ohm	R124
	R carbon 1/4 sb 2.2K Ohm	R125
	R carbon 1/4 sb 390 Ohm	R126
	R carbon 1/4 sb 1K Ohm	R127
	R carbon 1/4 sb 10K Ohm	R401
	R carbon 1/4 sb 8.2K Ohm	R402
	R carbon 1/4 sb 3.3K Ohm	R403
	R carbon 1/4 sb 8.2K Ohm	R404
	R carbon 1/2 sb 270 Ohm	R405
	R carbon 1/4 sb 10K Ohm	R406
	R carbon 1/4 sb 680 Ohm	R407
	R carbon 1/4 sb 2.2K Ohm	R408
	R carbon 1/4 sb 12K Ohm	R409
	R carbon 1/4 sb 10K Ohm	R410

<u>Part No.</u>	<u>Description</u>	<u>Ref Des.</u>
Resistors (cont)	R fuseable FMR1/4W 100 Ohm	R413
	R carbon 1/4 sb 2.2K Ohm	R414
	R metal 10K Ohm	R415
	R fuseable FMR1/4C 22 Ohm	R416
	R cement RGB10H(V) 220 Ohm	R417
	R metal 4.7K Ohm	R418
	R carbon 1/2 sb 2.2K Ohm	R419
	R carbon 1/4 sb 68K Ohm	R421
	R carbon 1/4 sb 6.8 Ohm	R422
	R carbon 1/4 sb 470 Ohm	R423
	R fuseable FMR1/4W	R424
	R carbon 1/2 sb 390 Ohm	R425
	R carbon 1/4 sb 6.8K Ohm	R426
	R fuseable FMR1/2W 1.2 Ohm	R427
	R fuseable FMR2W 1.2 Ohm	R428
	R carbon 1/4 sb 330 Ohm	R501
	R carbon 1/4 sb 10K Ohm	R502
	R carbon 1/4 sb 10K Ohm	R504
	R carbon 1/4 sb 27k Ohm	R505
	R carbon 1/4 sb 390K Ohm	R506
	R carbon 1/4 sb 18K Ohm	R507
	R carbon 1/4 sb 68K Ohm	R508
	R carbon 1/4 sb 6.8K Ohm	R509
	R carbon 1/4 sb 10K Ohm	R510
	R carbon 1/4 sb 1.2K Ohm	R511
	R carbon 1/4 sb 470 Ohm	R512
	R metal RNL1/4 3.3K Ohm	R513
	R metal RNL1/4 560K Ohm	R514
	R metal 6.8K Ohm	R515
	R carbon 1/2 sb 8.2K Ohm	R516
	R metal 3.3K Ohm	R517
	R carbon 1/4 sb 8.2K Ohm	R518



<u>Part No.</u>	<u>Description</u>	<u>Ref Des.</u>
Resistors (cont)	R carbon 1/2 sb 4.7K Ohm	R519
	R carbon 1/2 sb 33 Ohm	R520
	R carbon 1/4 sb 10K Ohm	R521
	R fuseable FMR1/4W 330 Ohm	R522
	R fuseable FMR1/4W 330 Ohm	R523
	R fuseable FMR1/4W 330 Ohm	R524
	R fuseable FMR1/2 4.7 Ohm	R525
	R carbon 1/4 sb 22K Ohm	R527
	R carbon 1/4 sb 22K Ohm	R528
	R carbon 1/4 sb 680 Ohm	R529
	R carbon 1/4 sb 4.7K Ohm	R530
	R carbon 1/4 sb 470 Ohm	R531
	R carbon 1/4 sb 680 Ohm	R532
	R carbon 1/4 sb 47 Ohm	R533
	R fuseable FMR1/4W 330 Ohm	R901
	R carbon 1/4 sb 47K Ohm	R902
	R fuseable FMR1/4W 68 Ohm	R903
	R metal 15K Ohm	R904
	R carbon 1/4 sb 1M Ohm	R905
	R carbon 1/4 sb 15K Ohm	R906
	R carbon 1/4 sb 68K Ohm	R907
	R carbon 1/4 sb 68K Ohm	R908
	R carbon 1/4 sb 4.7K Ohm	R909
	R variable V8K4-1 5K Ohm	RV101
	R variable V8K4-1 5K Ohm	RV102
	R variable V8K4-1 5K Ohm	RV103
	R variable V8K4-1 5K Ohm	RV104
	R variable RVA0911H320-7-502M	RV404
	R variable RVG0911H320-7-303M	RV402
	R variable RVA0911H320-7-501M	RV403
	R variable RVA0911H320-7-302M	RV501
	R variable RVG0911H320-7-303M	RV502

<u>Part No.</u>	<u>Description</u>	<u>Ref Des.</u>
Resistors (cont)	R variable RVG0911H320-7-303M	RV503
Capacitors		
	C electro CE04 16V100(M)	C101
	C electro CE04 50V 1(M)	C401
	C polyester DEP50V 333K	C402
	C polyester DEP50V 333K	C403
	C tantal D 16V 2.2 uf K	C404
	C ceramic DD104-63B561K50V	C405
	C electro CE04 16V 470 (M)	C406
	C electro CE04 25V 10 (M)	C407
	C tantal D 25 10 uf K	C408
	C electro CE04 100V 10 (M)	C409
	C electro CE04 50V 1 (M)	C410
	C electro CE04 35V 220 (M)	C411
	C electro CE04 63V 470 (M)	C412
	C electro CE04 16V 470 (M)	C413
	C electro CE04 25V 10 (M)	C414
	C ceramic DD09]63B222K500V	C415
	C electro CE04 100V 10 (M)	C416
	C electro CE04 35V 220 (M)	C417
	C electro CE04 160V 22 (M)	C418
	C ceramic DD09-63B222K500V	C419
	C electro CE04 25V 10 (M)	C501
	C electro CE04 25V 10 (M)	C502
	C electro CE04 50V 1 (M)	C503
	C ceramic DD105-63E222P50V	C504
	C electro CE04 50V 1 (M)	C505
	C polyester DEP 50V 473K	C506
	C polyester DEP 50V 473K	C507
	C polypro DTW100V 562-G	C508
	C electro CE04 50V 1 (M)	C510
	C electro CE04 16V 220 (M)	C511

<u>Part No.</u>	<u>Description</u>	<u>Ref Des.</u>
Capacitors (Cont)	C ceramic DD05-63B561K500V	C512
	C ceramic DD10 63E472P500V	C513
	C ceramic DE1510R 222K	C514
	C ceramic DE1510R 222K	C515
	C ceramic DE1410R 182K	C516
	C ceramic DE1110R 821K	C517
	C ceramic DD104-63B821K 50V	C518
	C polipro DTW200VDC 0.47 uf M	C520
	C electro CE04 50V 47 (M)	C523
	C electro CE04 160V 47 (M)	C524
	C ceramic DD09-63B222K500V	C525
	C electro CE04 160V 1 (M)	C526
	C electro CE04 160V 10 (M)	C527
	C polypro DTW630VDC 0.01 uf - M	C528
	C electro CE04 25V 10 (M)	C529
	C polypro UL LHX125VAC 0.1 uf	C901
	C ceramic MVDE0807E222ZAC250V	C902
	C ceramic MVDE0807E222ZAC250V	C903
	C ceramic DD09-63B 22K 500V	C904
	C electro RPE 180V (300) 680 (M)	C905
	C electro CE04 160V 22 (M)	C906
	C ceramic DD05-63B 221K 500V	C907
Coils		
180-0033	L choke	L401
181-0034	L choke	L501
180-0032	L choke	L502
181-0033	L linear	L503
181-0032	L size	L504
180-0031	L choke	L505
180-0030	L choke	L506
180-0029	L choke	L507
180-0028	L choke	L901

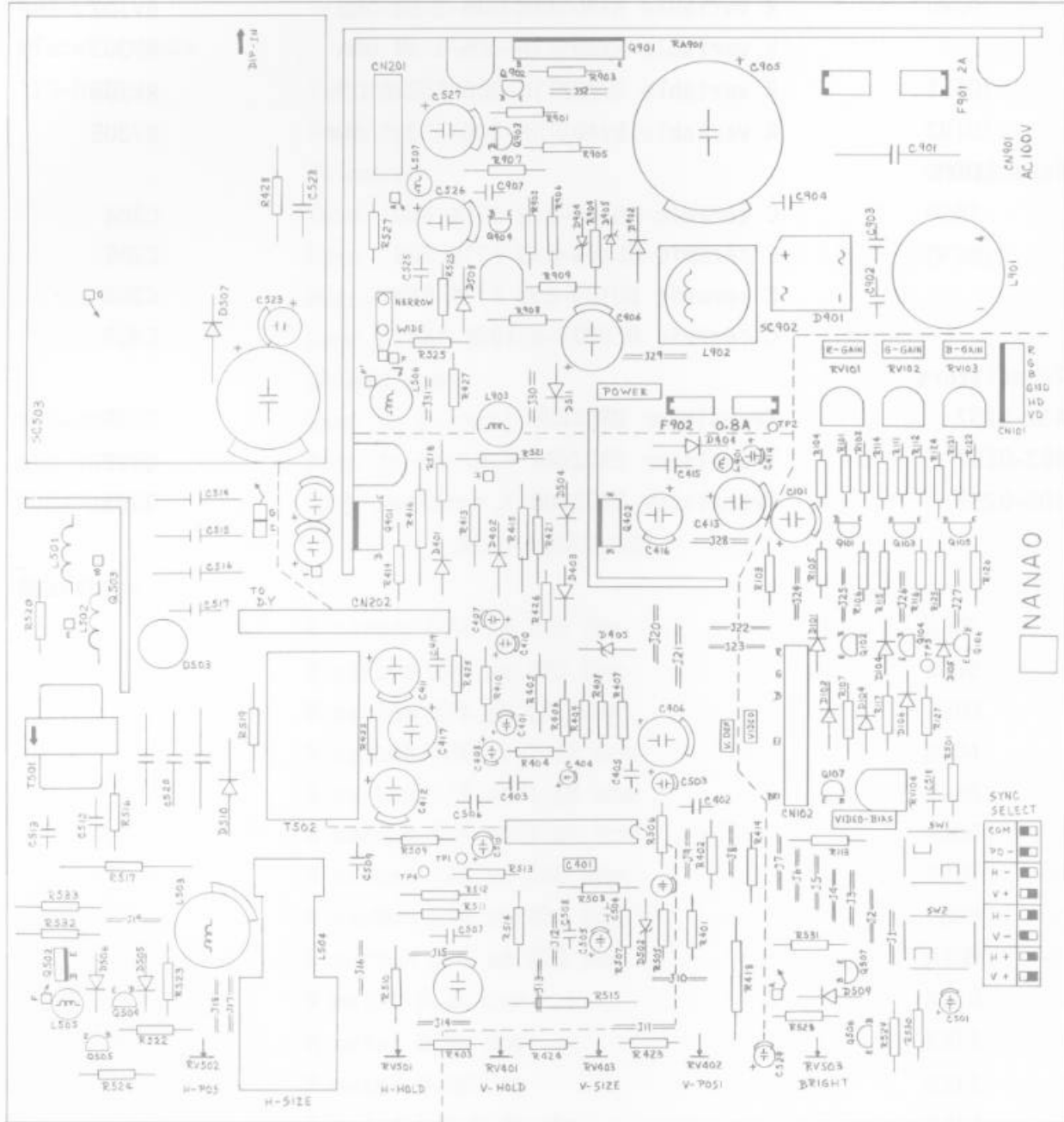
<u>Part No.</u>	<u>Description</u>	<u>Ref Des.</u>
180-0027	L choke	L902
180-0026	L choke	L903
Transformers		
560-0102	T H drive	T501
560-0101	T pin corr	T502
560-0100	T FBT MSH1FAC02	T503
Diodes		
481-0164	Diode 1S1588	D101
481-0164	Diode 1S1588	D102
481-0164	Diode 1S1588	D103
481-0164	Diode 1S1588	D104
481-0164	Diode 1S1588	D105
481-0164	Diode 1S1588	D106
481-0164	Diode 1S1588	D401
481-0234	Diode 1S1886	D402
481-0175	Diode 1S2076A	D403
481-0119	Diode RU2	D404
481-0233	Diode EQA01-24	D405
481-0164	Diode 1S1588	D501
481-0137	D zener EQA01-07S	D502
481-0164	Diode 1S1588	D504
481-0175	Diode 1S2076A	D505
481-0175	Diode 1S2067A	D506
481-0119	Diode RU2	D507
481-0232	Diode S5295G	D508
481-0164	Diode 1S1588	D509
481-0232	Diode S5295G	D510
481-0164	Diode 1S1588	D511
481-0137	Diode EQA01-07S	D512
481-0235	D bridge 3D4B41	D901
481-0119	Diode RU2	D902
481-0137	D zener EQA01-07S	D904

<u>Part No.</u>	<u>Description</u>	<u>Ref Des.</u>
481-0137	D zener EQA01-07S	D905
Transistors		
482-0261	Transistor 2SC1740	Q101
482-0261	Transistor 2SC1740	Q102
482-0261	Transistor 2SC1740	Q103
482-0261	Transistor 2SC1740	Q104
482-0261	Transistor 2SC1740	Q105
482-0261	Transistor 2SC1740	Q106
482-0111	Transistor 2SA673	Q107
Miscellaneous		
	Connector	CN201
	Connector	CN202
	Connector	CN203
	Assy accord	CD901
	Connector	CN901
510-0068	Switch SSA042	SW1
510-0068	Switch SSA042	SW2
	Pin terminal	TP1
	Pin terminal	TP2
	Pin terminal	TP3
	Pin terminal	TP4
Transistors		
482-0276	Transistor 2SD1138	Q401
482-0276	Transistor 2SD1138	Q402
482-0261	Transistor 2SC1740	Q501
482-0257	Transistor 2SC2688	Q502
482-0198	Transistor 2SD870	Q503
482-0201	Transistor 2SD763	Q504
482-0201	Transistor 2SD763	Q505
482-0111	Transistor 2SA673	Q506
482-0111	Transistor 2SA673	Q507
	Transistor 2SC2555	Q901

<u>Part No.</u>	<u>Description</u>	<u>Ref. Des.</u>
482-0273	Transistor 2SA1091	Q902
482-0167	Transistor 2SC2482	Q903
482-0167	Transistor 2SC2482	Q904
Miscellaneous		
313-0051	I C HA11235	IC401
	Connector	CN101
	Connector	CN102
	Fuse	F901
	Fuse clip	CF901
	Fuse	
	Fuse clip	
	Shield case	
560-0098	Assy tr (v-out)	
560-0099	Assy tr (h-out)	
200-0081	Assy radiator A	
NECK BOARD PCB		
Resistors		
	R carbon 1/4 sb 220 Ohm	R301
	R carbon 1/4 sb 220 Ohm	R302
	R carbon 1/4 sb 220 Ohm	R303
	R carbon 1/4 sb 1.2K Ohm	R304
	R carbon 1/4 sb 1.2K Ohm	R305
	R carbon 1/4 sb 1.2K Ohm	R306
	R carbon 1/4 sb 330 Ohm	R307
	R carbon 1/4 sb 330 Ohm	R308
	R carbon 1/4 sb 330 Ohm	R309
	R metal 8.2K Ohm	R310
	R metal 8.2K Ohm	R311
	R metal 8.2K Ohm	R312
	R solid 1/2 2.2K Ohm	R313
	R solid 1/2 2.2K Ohm	R314
	R solid 1/2 2.2K Ohm	R315

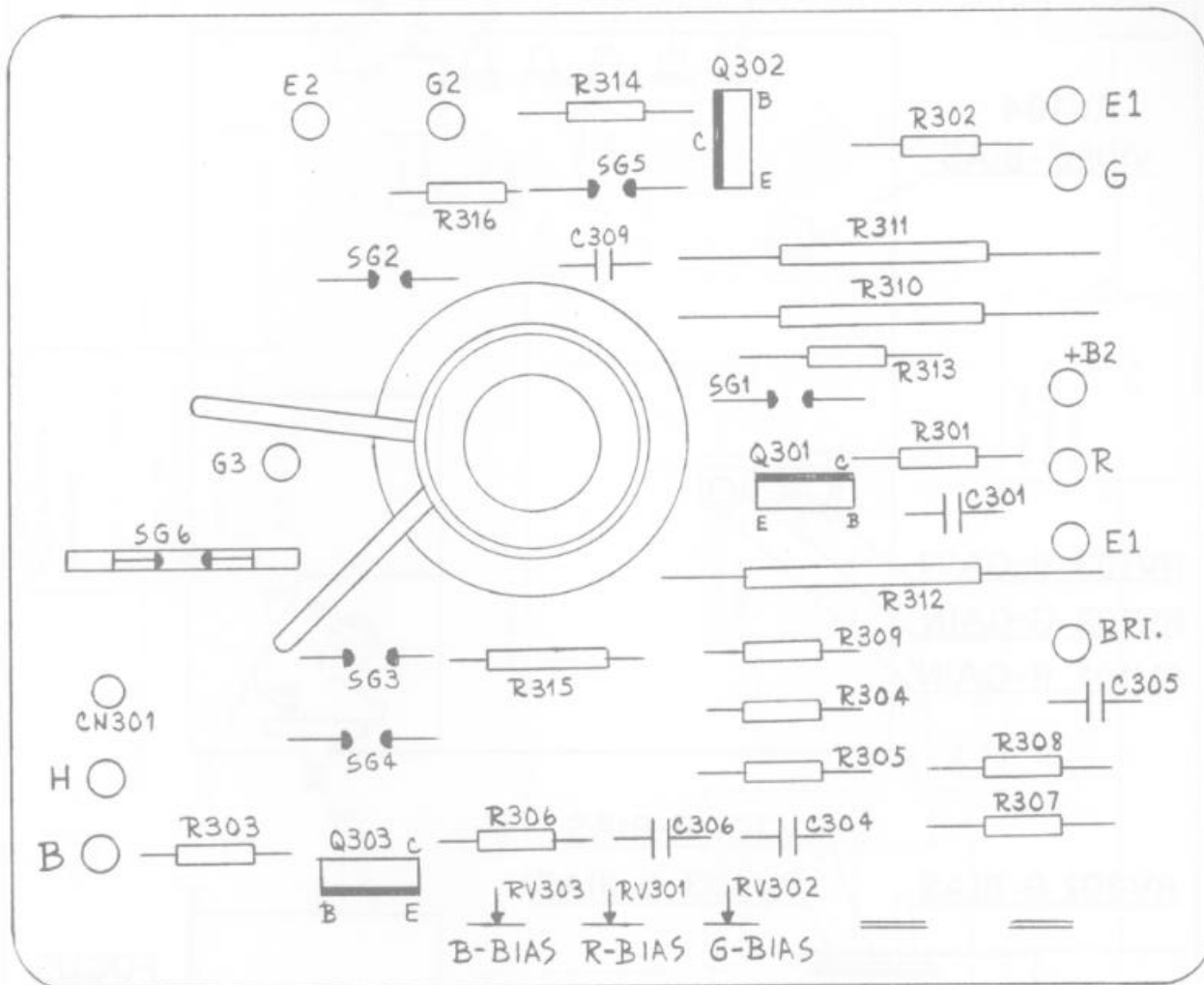
<u>Part No.</u>	<u>Description</u>	<u>Ref. Des.</u>
Resistors (cont)	R solid 1/2 1M Ohm	R316
	R variable RVA0911H-306-1 5K Ohm	RV301
	R variable RVA0911H-306-2 5K Ohm	RV302
	R variable RVA0911H-306-3 5K Ohm	RV303
	R variable RVA0911H-306-7 220 Ohm	RV304
	R variable RVA0911H-306-7 220 Ohm	RV305
Capacitors		
	C ceramic DD104-63B 271K 50V	C304
	C ceramic DD104-63B 271K 50V	C305
	C ceramic DD104-63B 271K 50V	C306
	C ceramic DE0705-B 102K 1KV	C309
Transistors		
482-0257	Transistor 2SC2688	Q301
482-0257	Transistor 2SC2688	Q302
482-0257	Transistor 2SC2688	Q303

ASSY MAIN PC BOARD, NANA0-200 0039



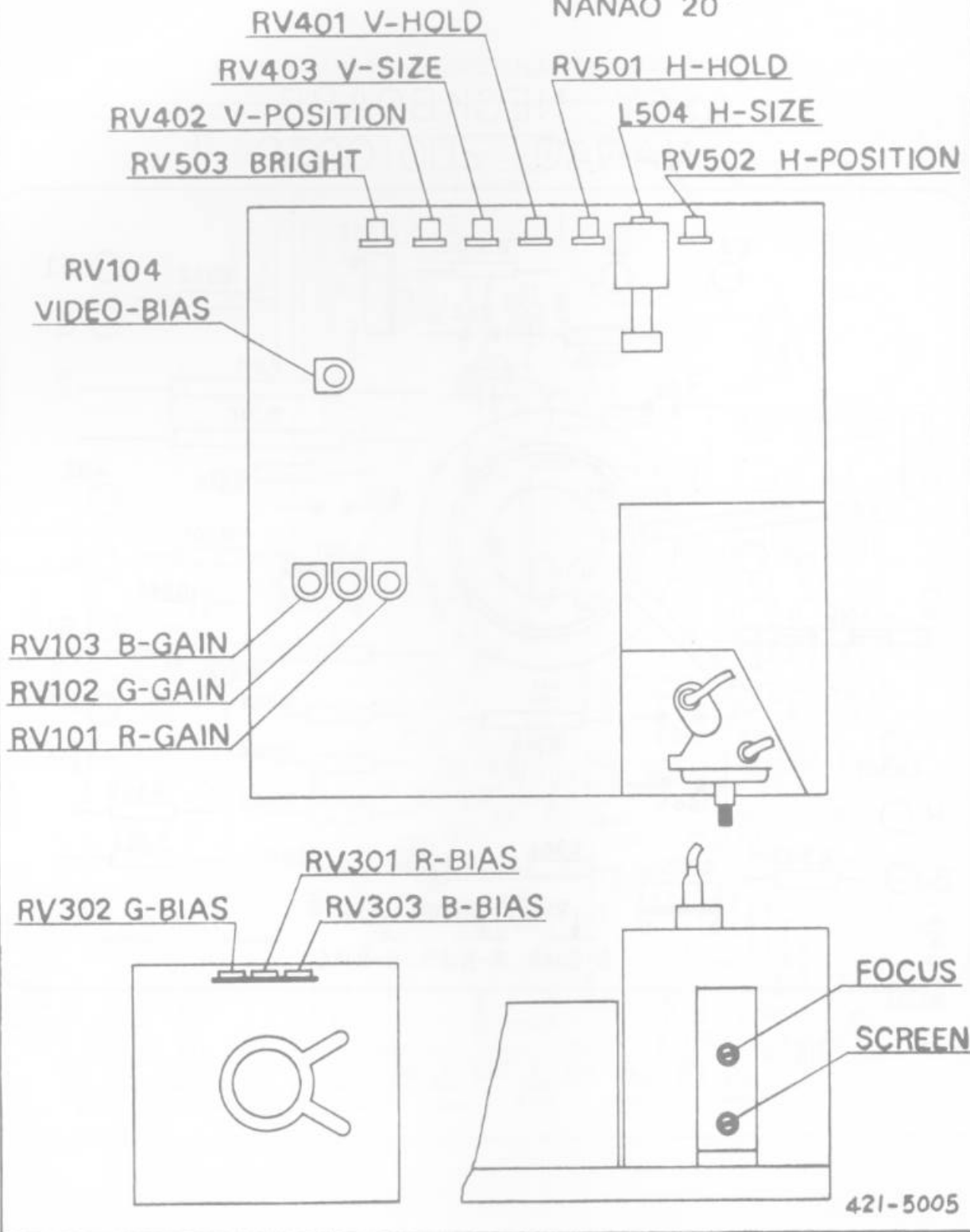


ASSY, NECKBOARD  
NANA0 200 0039

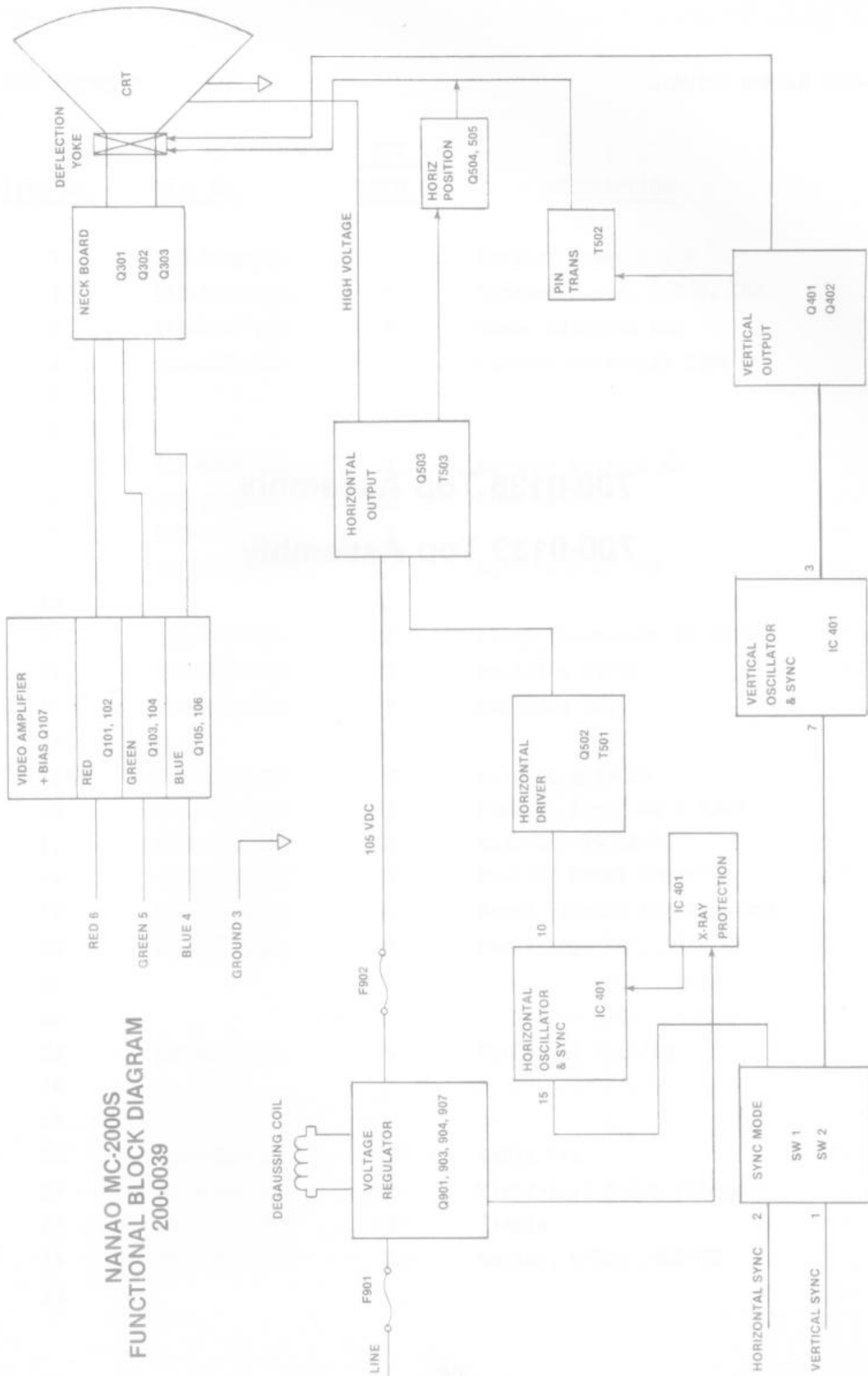


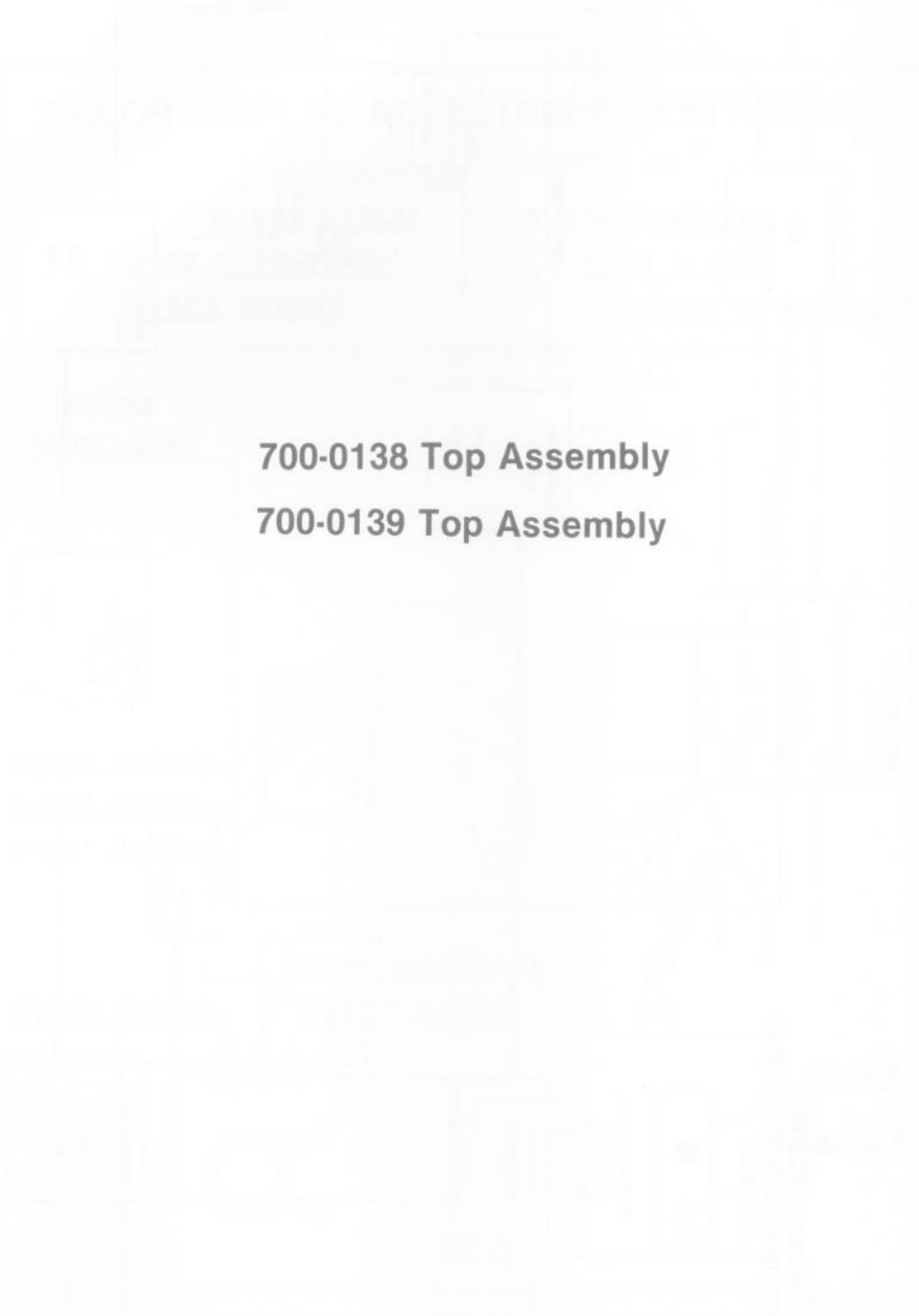
# COLOR DISPLAY ADJUSTABLE CONTROLS

NANAO 20"



# NANA0 MC-2000S FUNCTIONAL BLOCK DIAGRAM 200-0039





**700-0138 Top Assembly**  
**700-0139 Top Assembly**

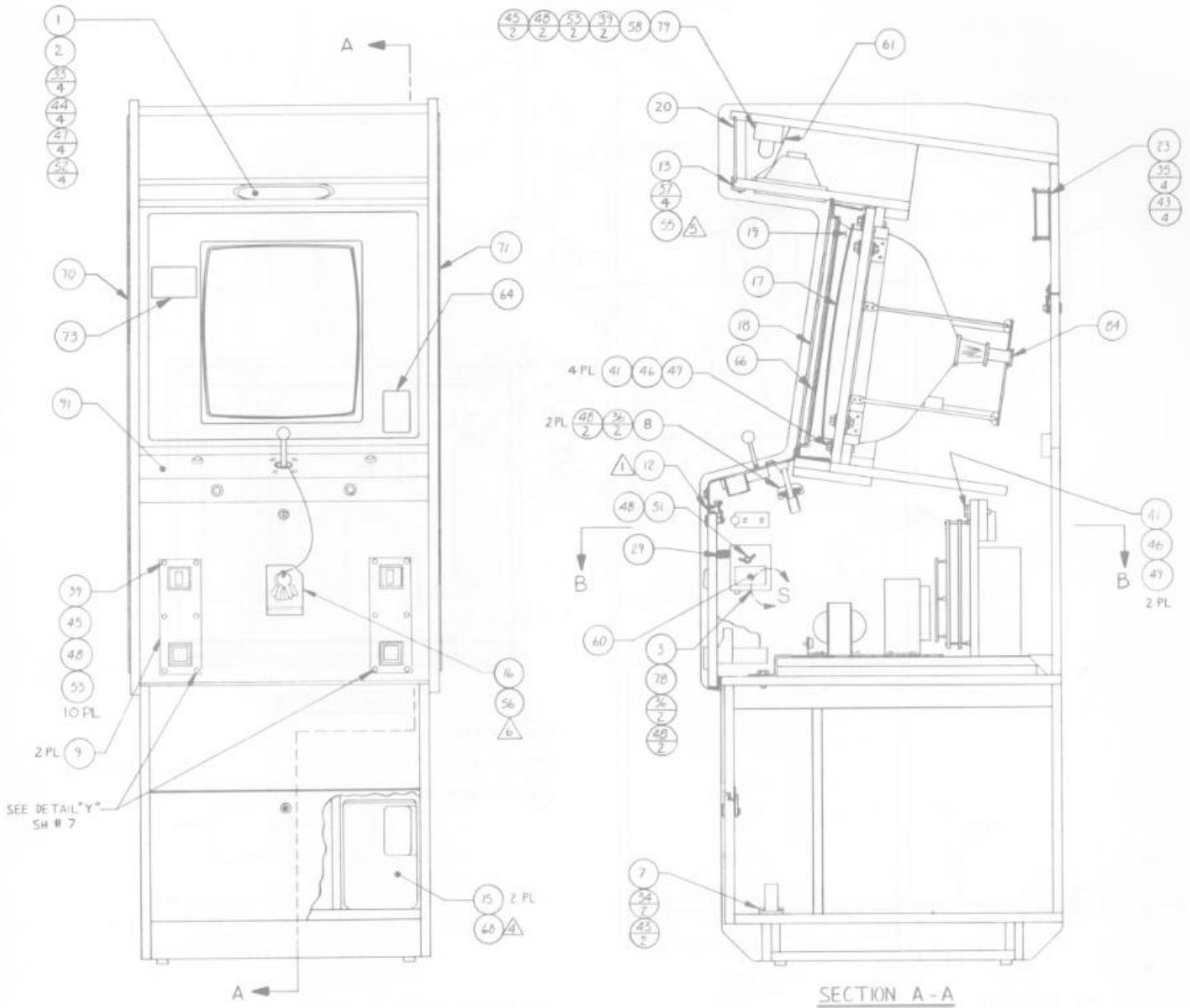
<u>ITEM NO.</u>	<u>PART NO.</u>	<u>QTY.</u> <u>REQD.</u>	<u>DESCRIPTION</u>
1	130-0002-00	1	Speaker Cover 6 x 9
2	130-0020-00	1	Speaker 6 x 9, 8 OHM, 10W
3	140-0021 00	1	Cover Junction Box
4	140-0071-00	1	Cabinet Universal Game
5			
6			
7	220-0008-00	1	Counter Digital 6V
8	220-0178-00	2	Draw Catch
9	220-0194-00	2	
	or 220-0195-00		Coin Mech W/Lamp
10			
11	250-0497-00	2	Clamp, Component BD UNIV
12	250-0038-00	1	Moulding Strip
13	250-0492-00	1	Moulding logo
14			
15	253-0222-00	2	Coin Receptacle
16	253-0238-00	1	Plastic Bag 3.00 x 4.00
17	253-0254-00	1	Mask CRT 19 IN
18	253-0228-00	1	Monitor Panel Clear
19	253-0284-00	1	Bezel Plastic CRT Vertical
20	253-0328-00	1	Panel logo
21			
22			
23	260-0001-00	1	Fan Axial Cooling
24			
25			
26	280-0005-00	40	Cable Tie
27	280-0362-00	2	Electrical Crimp Sleeve
28	280-0475-00	30	Staple
29	280-0495-00	1	Spring, CPRSN .360 OD
30			

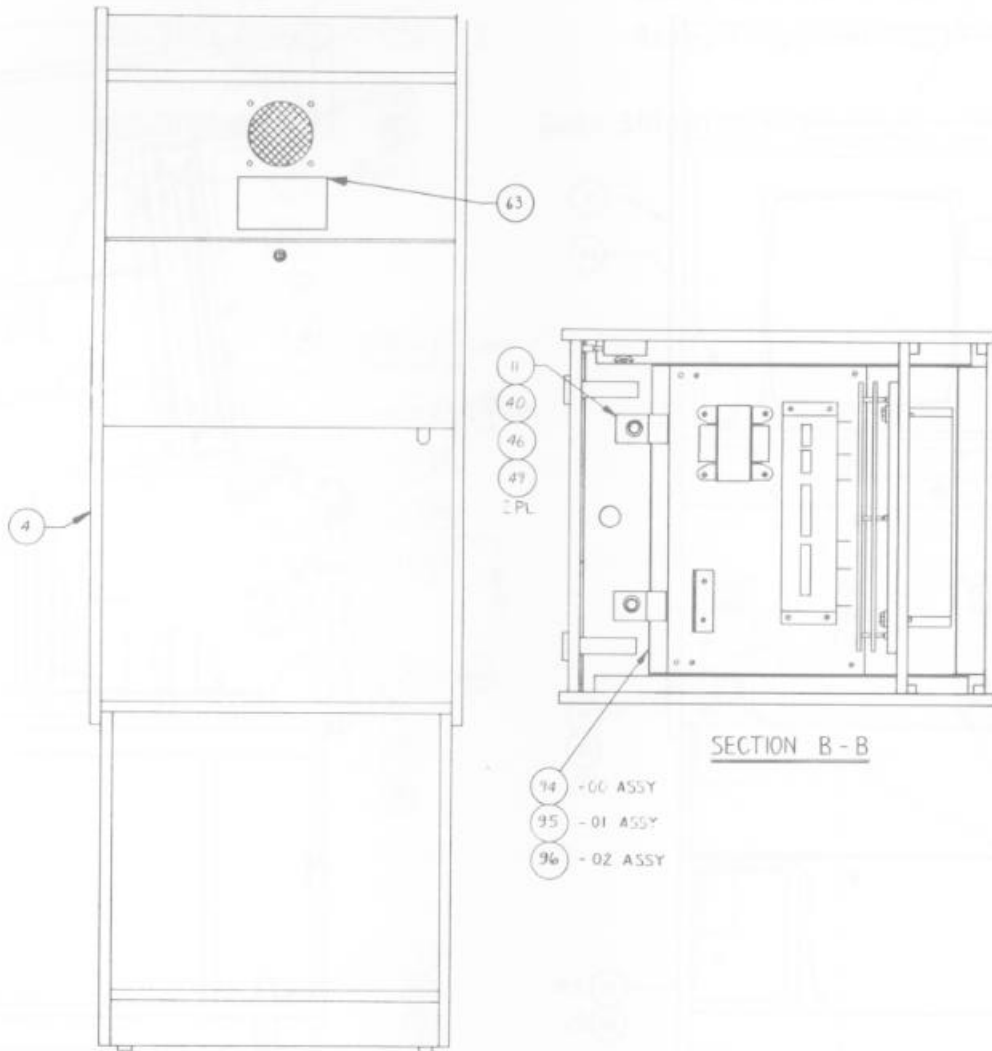
<u>ITEM NO.</u>	<u>PART NO.</u>	<u>QTY.</u> <u>REQD.</u>	<u>DESCRIPTION</u>
31	281-0004-12	1	SCR, 8-32 x .750 PN HD PHIL
32	281-0006-08	1	SCR 10-32 x .500 PN HD PHIL
33	281-0014-28	4	SCR 8-32 x 1.75 OVH PHIL
34	281-0042-12	2	SCR 6-20 x .750 PN HD PHIL
35	281-0042-32	4	SCR 6-20 x 2.00 PN HD PHIL
36	281-0045-12	6	SCR 10-16 x .750 PN HD PHIL
37	281-0134-12	4	SCR 8-18 x .750 PN HD PHIL, Black
38			
39	282-0005-20	14	Bolt, 10-24 x 1.25 CRG HD, Black
40	282-0017-16	4	Bolt, 1/4-20 x 1.00 HEX HD
41	282-0017-24	4	Bolt, 1/4-20 x 1.50 HEX HD
42			
43	283-0060-18	6	Washer #6 Flat, STL
44	283-0060-22	6	Washer #8 Flat, STL
45	283-0060-24	14	Washer #10 Flat, STL
46	283-0060-34	6	Washer #1/4 Flat, STL
47	282-0061-05	5	Washer #8 Lock, Split, STL
48	283-0061-06	21	Washer #10 Lock, Split, STL
49	283-0061-08	6	Washer #1/4 Lock, Split, STL
50			
51	283-0071-14	1	Nut 10-24 Wing, STL
52	283-0072-13	5	Nut 8-32 HEX
53	283-0072-15	14	Nut 10-24 HEX
54			
55	320-0020-00	2'	Sealant Foam
56	320-0051-00	1'	Tie Ribbon Wire Plastic Coated
57			
58	390-0019-00	1	Lamp Fluorescent
59			
60	420-0030-00	1	Decal Caution 115V
61	420-0624-00	1	Light Baffle

<u>ITEM NO.</u>	<u>PART NO.</u>	<u>QTY.</u> <u>REQD.</u>	<u>DESCRIPTION</u>
62	420-0793-00	1	Decal Toll Free No.
63	420-0912-00	1	Decal FCC Rules Compliance
64	420-0914-07	1	Decal Original Game Seal
65	420-0917-00	1	Decal FCC Warning
66	420-0977-00	1	Graphic Interior
67	420-0978-00	1	Decal, Box
68	420-0979-00	1	Manual
69	420-0982-00	1	Decal Dip SW Settings
70	420-0994-00	1	Graphic Side Left
71	420-0993-00	1	Graphic Side Right
72	420-1006-00	1	New Game Card
73	420-1007-00	1	Decal, Game Instructions
74			
75			
76			
77			
78	800-0145-00	1	Assy AC Junction Box
79	800-0147-01	1	Fluorescent Lamp Assy 2
80	800-0232-00	1	Assy Harn. GND
81	800-0322-00	1	Assy Cord Fan
82	800-0329-00	1	Assy Harn. Monitor AC
83	800-0330-00	1	Assy Harn. GND Monitor
84	800-0362-00	1	Assy Monitor CLR Vertical
85	800-0370-00	1	GND Strap
86	800-0371-00	1	Assy Speaker Harn.
87	800-0372-00	1	Harn. Coin Mech
88			
89			
90			
91	800-3396-00	1	Control Panel Assy
92			

<u>ITEM NO.</u>	<u>PART NO.</u>	<u>QTY.</u>			<u>DESCRIPTION</u>
		<u>REQD.</u>			
		-00	-01	-02	
93					
94	800-3401-00	1	-	-	Assy, Component Shelf
95	800-3401-01	-	1	-	Assy, Component Shelf
96	800-3401-02	-	-	1	Assy, Component Shelf
	420-0780-00	REF			Game Shipping Kit

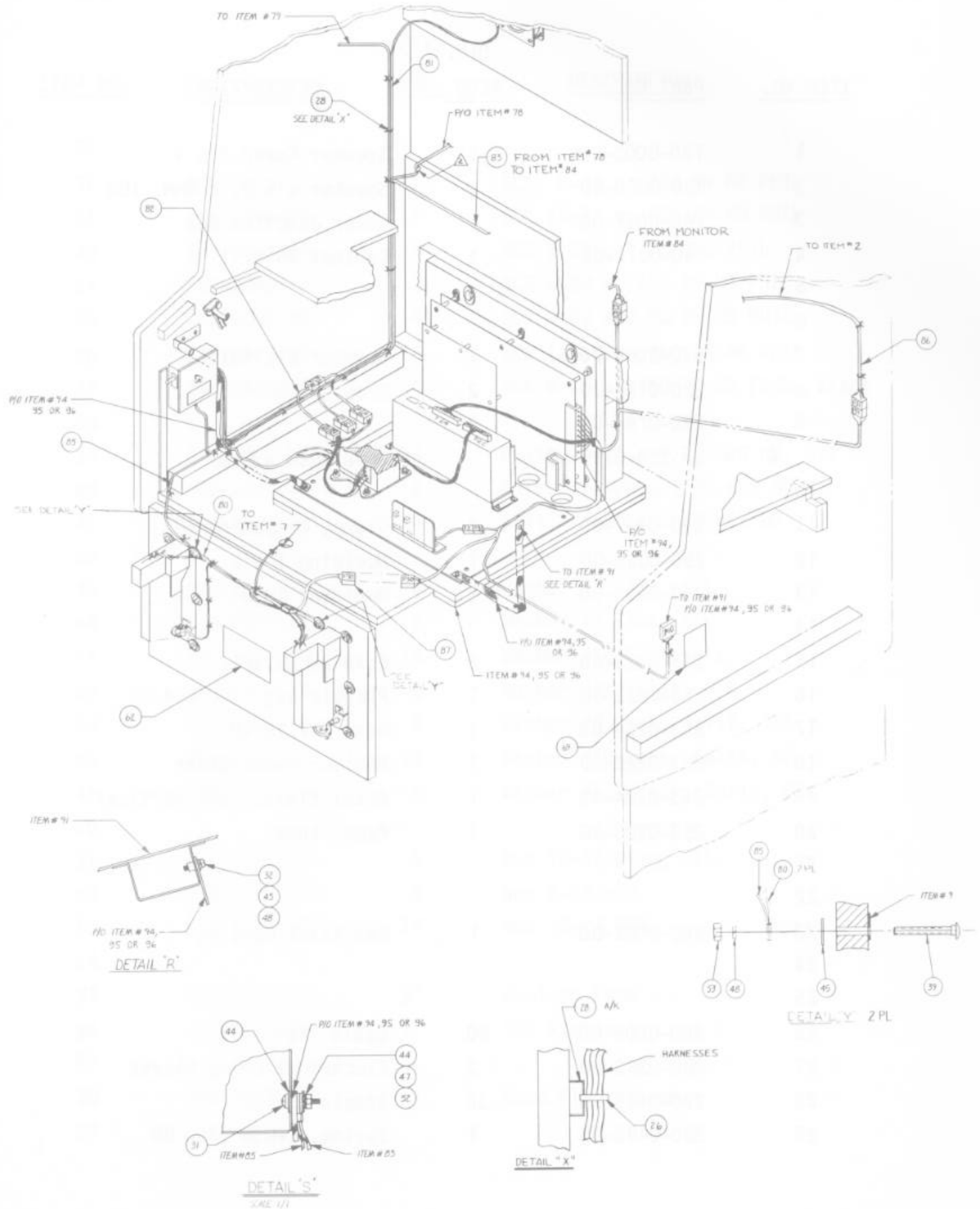






# Top Assembly

700-0138



<u>ITEM NO.</u>	<u>PART NO.</u>	<u>QTY.</u> <u>REQD.</u>	<u>DESCRIPTION</u>
1	130-0002-00	1	Speaker Cover 6 x 9
2	130-0020-00	1	Speaker 6 x 9, 8 OHM, 10W
3	140-0021 00	1	Cover Junction Box
4	140-0071-00	1	Cabinet Univ. I
5			
6			
7	220-0008-00	1	Counter Digital 6V
8	220-0178-00	2	Draw Catch
9	220-0194-00	2	
	or 220-0195-00		Coin Mech W/Lamp
10			
11	250-0497-00	2	Clamp, Component BD
12	250-0038-00	1	Moulding Strip
13	250-0492-00	1	Moulding logo
14			
15	253-0222-00	2	Coin Receptacle
16	253-0238-00	1	Plastic Bag 3.00 x 4.00
17	253-0254-00	1	Mask CRT 19 IN
18	253-0228-00	1	Monitor Panel Clear
19	253-0284-00	1	Bezel Plastic CRT Vertical
20	253-0328-00	1	Panel logo
21			
22			
23	260-0001-00	1	Fan Axial Cooling
24			
25			
26	280-0005-00	40	Cable Tie
27	280-0362-00	2	Electrical Crimp Sleeve
28	280-0475-00	30	Staple
29	280-0495-00	1	Spring, CPRSN .360 OD

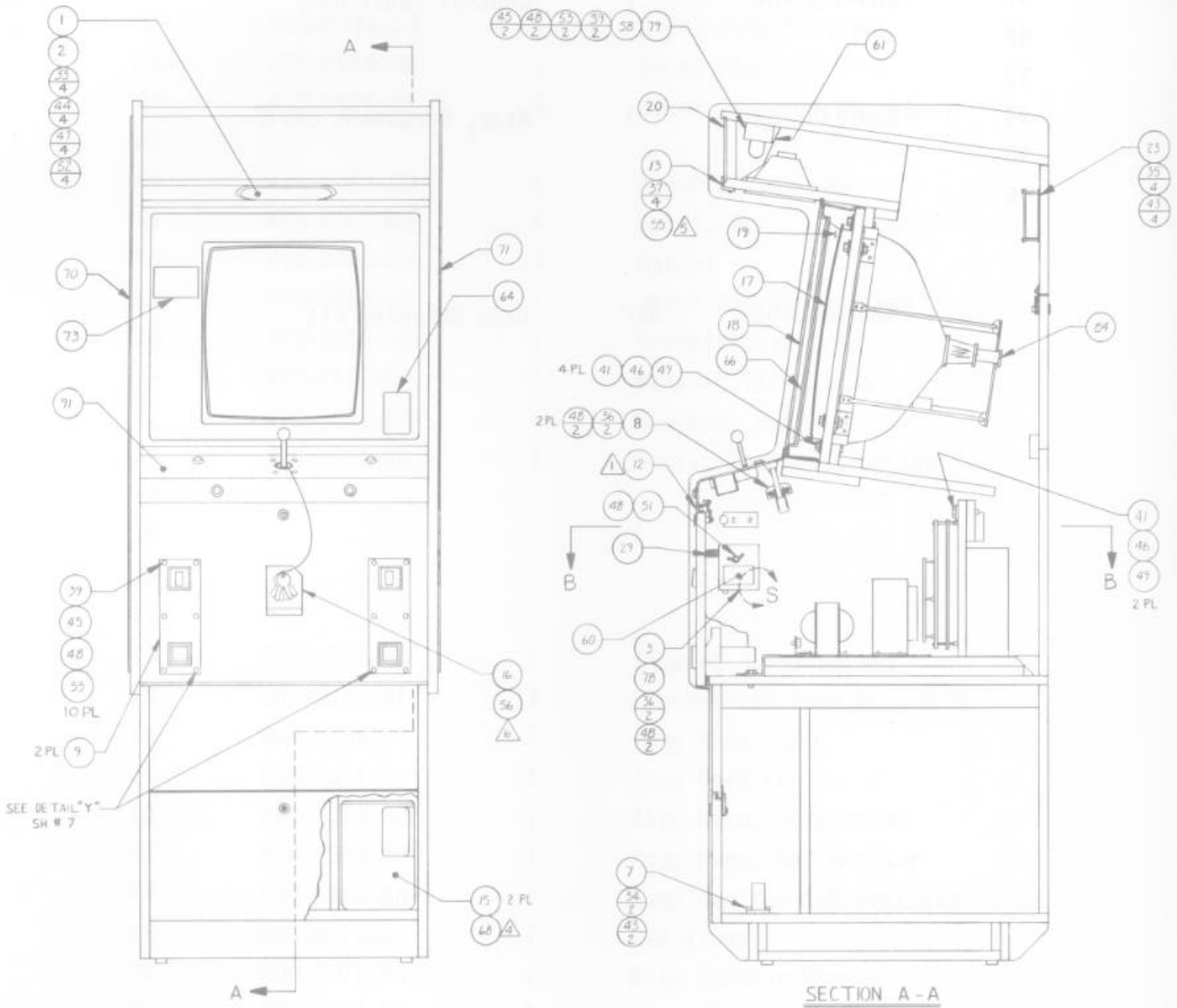
<u>ITEM NO.</u>	<u>PART NO.</u>	<u>QTY.</u> <u>REQD.</u>	<u>DESCRIPTION</u>
30			
31	281-0004-12	1	SCR, 8-32 x .750 PN HD PHIL
32	281-0006-08	1	SCR 10-32 x .500 PN HD PHIL
33	281-0014-28	4	SCR 8-32 x 1.75 OVH PHIL
34	281-0042-12	2	SCR 6-20 x .750 PN HD PHIL
35	281-0042-32	4	SCR 6-20 x 2.00 PN HD PHIL
36	281-0045-12	6	SCR 10-16 x .750 PN HD PHIL
37	281-0134-12	4	SCR 8-18 x .750 PN HD PHIL, Black
38			
39	282-0005-20	14	Bolt, 10-24 x 1.25 CRG HD, Blk
40	282-0017-16	2	Bolt, 1/4-20 x 1.00 HEX HD
41	282-0017-24	6	Bolt, 1/4-20 x 1.50 HEX HD
42			
43	283-0060-18	6	Washer #6 Flat, STL
44	283-0060-22	6	Washer #8 Flat, STL
45	283-0060-24	14	Washer #10 Flat, STL
46	283-0060-34	6	Washer #1/4 Flat, STL
47	282-0061-05	5	Washer #8 Lock, Split, STL
48	283-0061-06	21	Washer #10 Lock, Split, STL
49	283-0061-08	6	Washer #1/4 Lock, Split, STL
50			
51	283-0071-14	1	Nut 10-24 Wing, STL
52	283-0072-13	5	Nut 8-32 HEX
53	283-0072-15	14	Nut 10-24 HEX
54			
55	320-0020-00	2'	Sealant Foam
56	320-0051-00	1'	Tie Ribbon
57			
58	390-0019-00	1	Lamp Fluorescent
59			

<u>ITEM NO.</u>	<u>PART NO.</u>	<u>QTY.</u> <u>REQD.</u>	<u>DESCRIPTION</u>
60	420-0030-00	1	Decal Caution 115V
61	420-0624-00	1	Light Baffle
62	420-0793-00	1	Decal Toll Free No.
63	420-0912-00	1	Decal FCC
64	420-0914-07	1	Decal Original Game Seal
65			
66	420-0977-00	1	Graphic Interior
67	420-0978-00	1	Decal, Box
68	420-0979-00	1	Manual
69	420-0982-00	1	Decal Dip SW Settings
70	420-1016-00	1	Graphic Side Left
71	420-1017-00	1	Graphic Side Right
72	420-1006-00	1	New Game Card
73	420-1007-00	1	Decal, Game Instructions
74			
75			
76			
77			
78	800-0145-00	1	Assy AC Junction Box
79	800-0147-01	1	Fluorescent Lamp Assy 2 UL
80	800-0232-00	1	Assy Harn. GND
81	800-0322-00	1	Assy Cord Fan
82	800-0329-00	1	Assy Harn. Monitor AC
83	800-0330-00	1	Assy Harn. GND Monitor
84	800-0362-00	1	Assy Monitor CLR Vertical
85	800-0370-00	1	GND Strap
86	800-0371-00	1	Assy Speaker Harn.
87	800-0372-00	1	Harn. Coin Mech
88			
89			

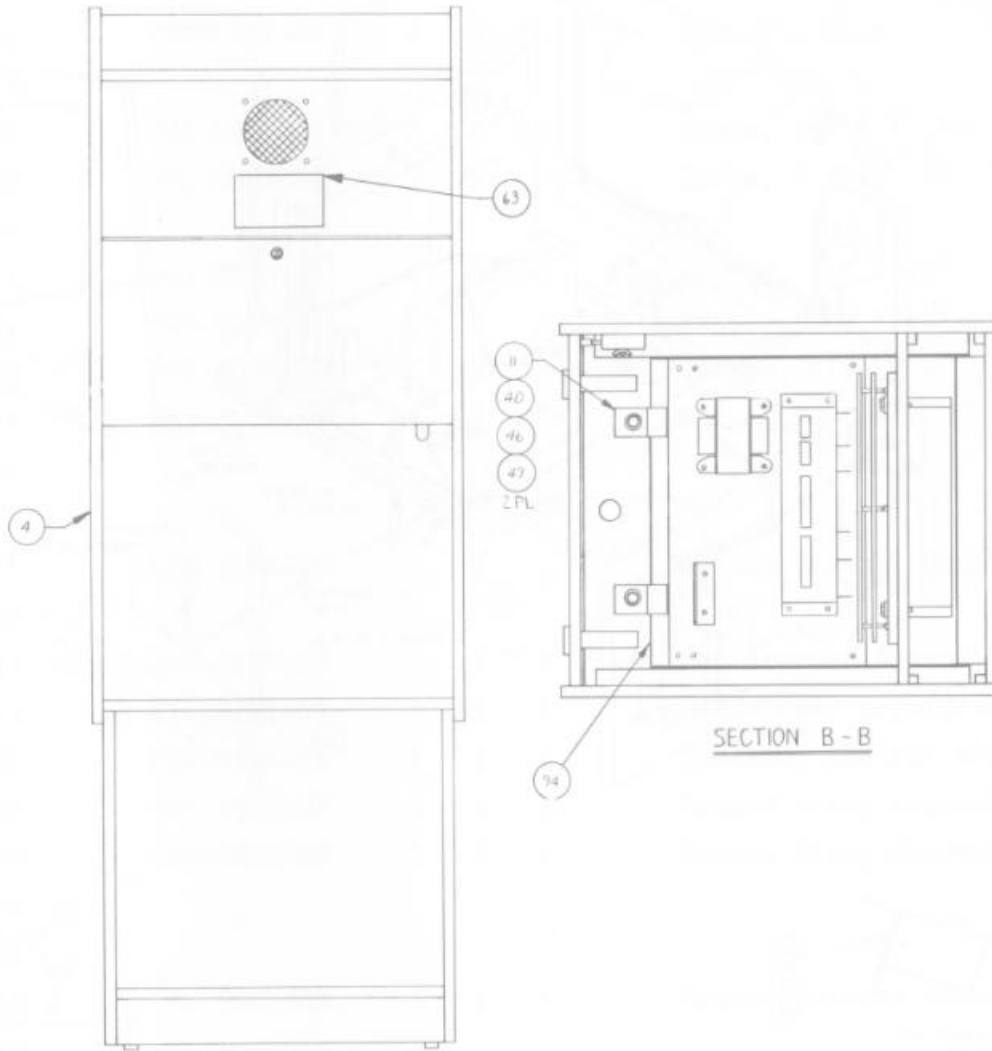
TOP ASSEMBLY

DRAWING NUMBER 700-0139

<u>ITEM NO.</u>	<u>PART NO.</u>	<u>QTY.</u> <u>REQD.</u>	<u>DESCRIPTION</u>
90			
91	800-3396-00	1	Control Panel Assy
92			
93			
94	800-3401-02	1	Assy, Component Shelf
95			
96			
	420-0780-00	REF	Game Shipping Kit

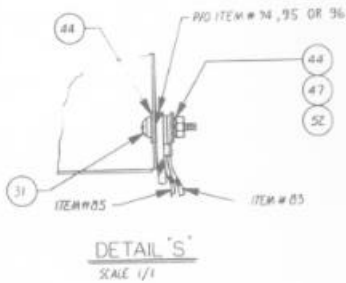
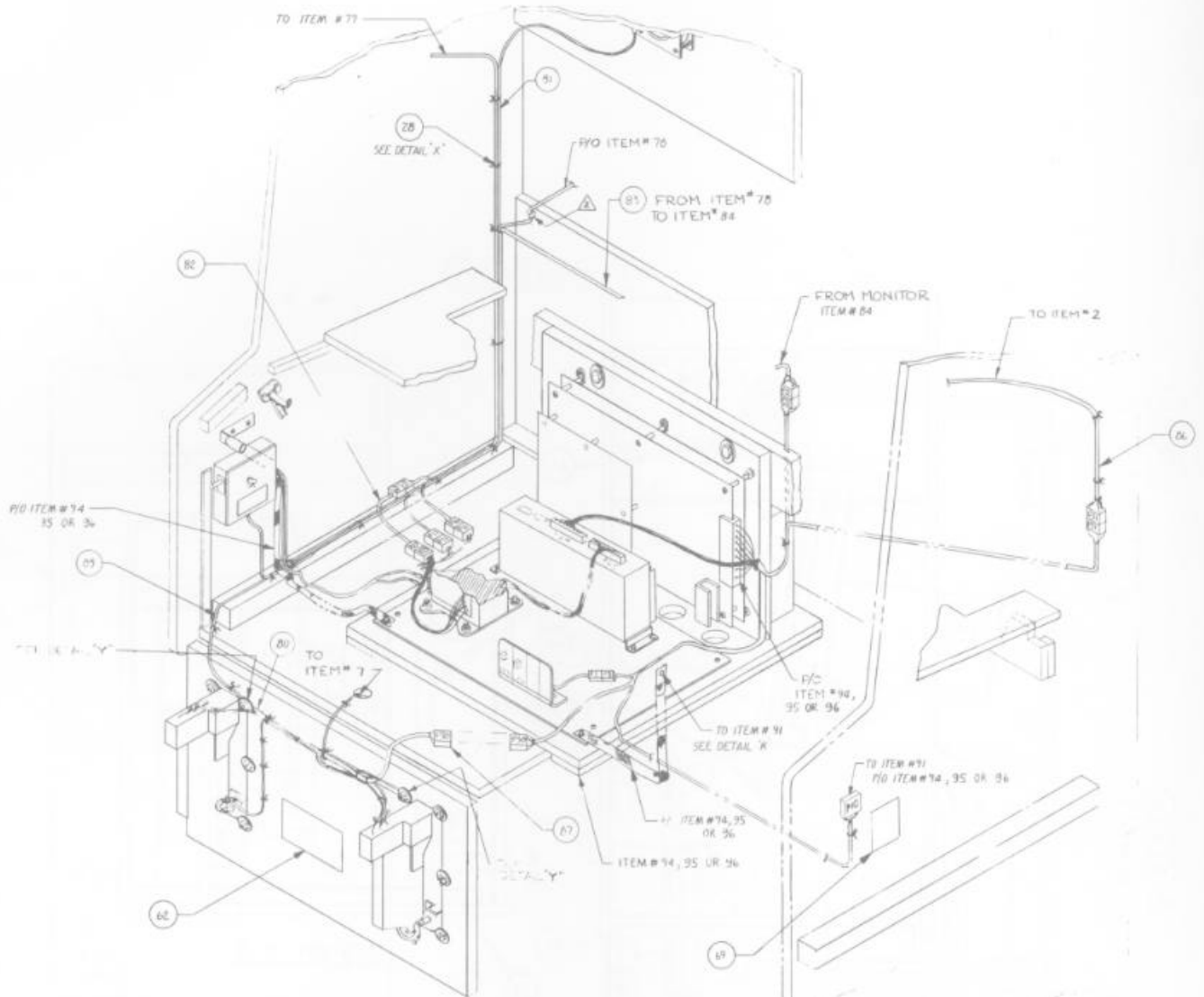






# Top Assembly

700-0139

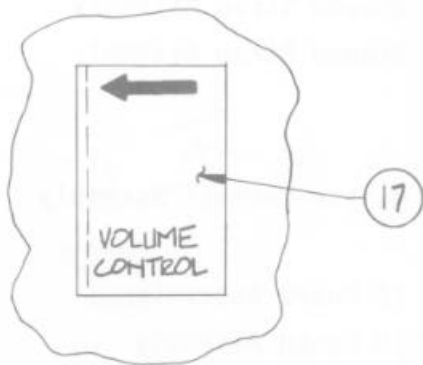
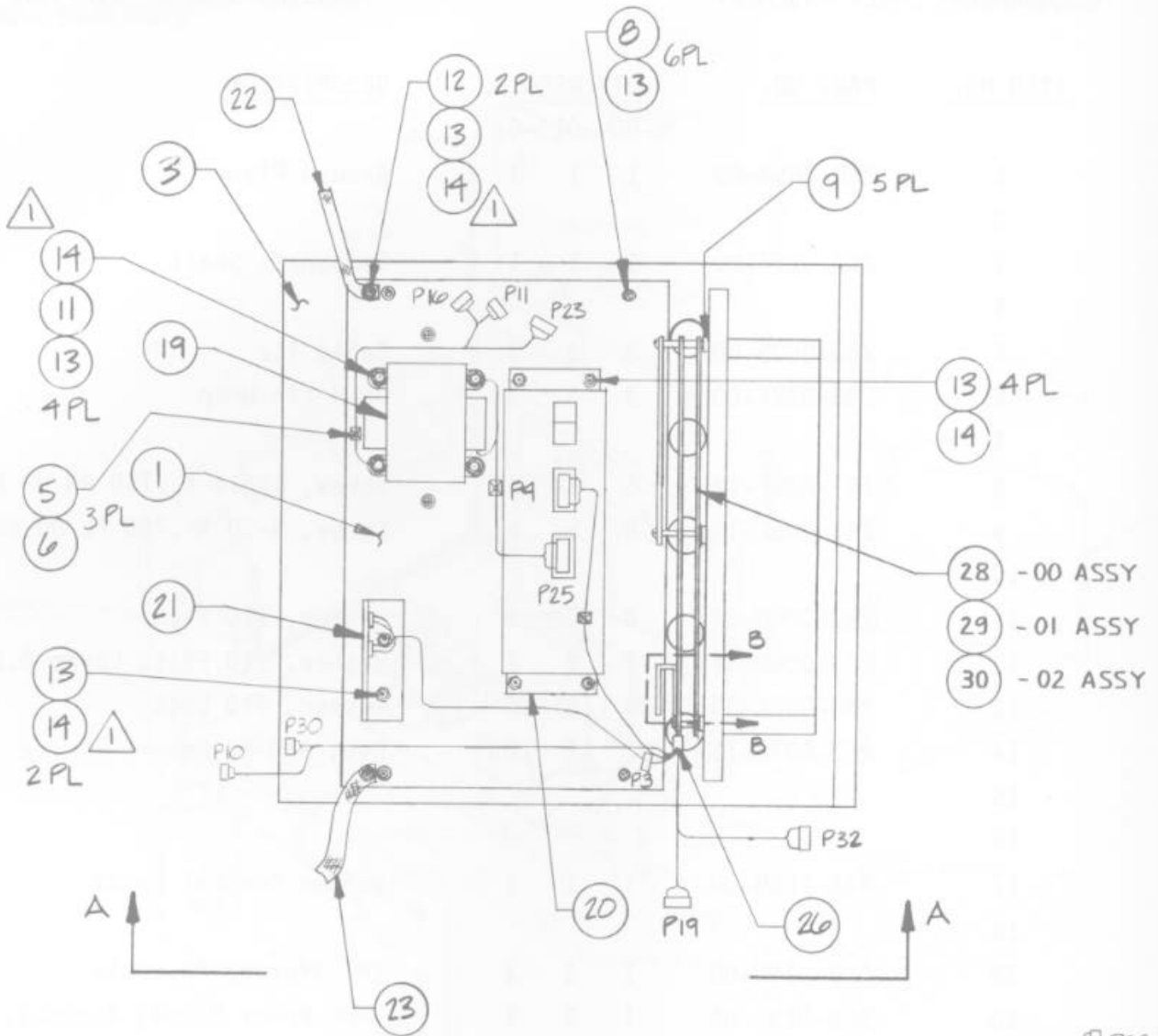


DETAIL "Y" 2 PL.

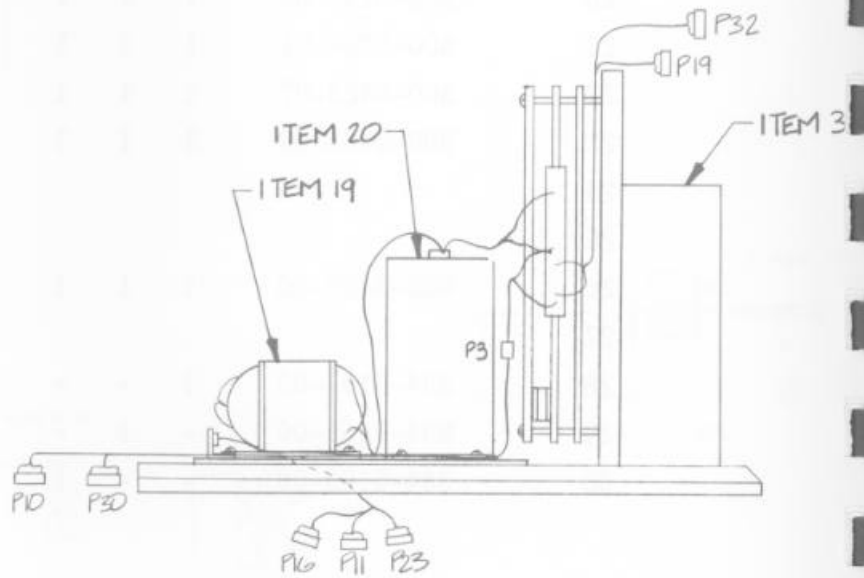
## COMPONENT SHELF ASSEMBLY

DRAWING NUMBER 800-3401

ITEM NO.	PART NO.	QTY REQD.			DESCRIPTION
		-00	-01	-02	
1	250-0654-00	1	1	1	Ground Plane
2					
3	252-0274-00	1	1	1	Component Shelf
4					
5	280-0005-00	3	3	3	Cable Tie
6	280-0327-00	3	3	3	Base Tie Wrap
7					
8	281-0045-12	6	6	6	Screw, 10-16 X .750 PN HD PHIL
9	281-0052-12	5	5	5	Screw, 6-20 X .750 FL HD PHIL
10					
11	283-0060-24	4	4	4	Washer, #10 Flat
12	283-0060-27	2	2	2	Washer, #10 Flat, Large O.D.
13	283-0061-06	18	18	18	Washer, #10 Lock
14	283-0072-16	12	12	12	Nut, #10-32 Hex
15					
16					
17	420-1008-00	1	1	1	Volume Control Decal
18					
19	800-0190-00	1	1	1	EMI Xformer Assembly
20	800-0191-04	1	1	1	G-80 Power Supply Assembly
21	800-0364-01	1	1	1	Operator Control Block Assembly
22	800-0423-07	1	1	1	Ground Strap Assembly
23	800-0423-08	1	1	1	Ground Strap Assembly
24					
25					
26	800-3402-00	1	1	1	Master Harness Assembly
27					
28	834-5197-00	1	-	-	IC Board Assembly
29	834-5165-00	-	1	-	IC Board Assembly
30	834-5180-00	-	-	1	IC Board Assembly



VIEW B-B



VIEW A-A

OPERATOR CONTROL BLOCK ASSEMBLY "Z"

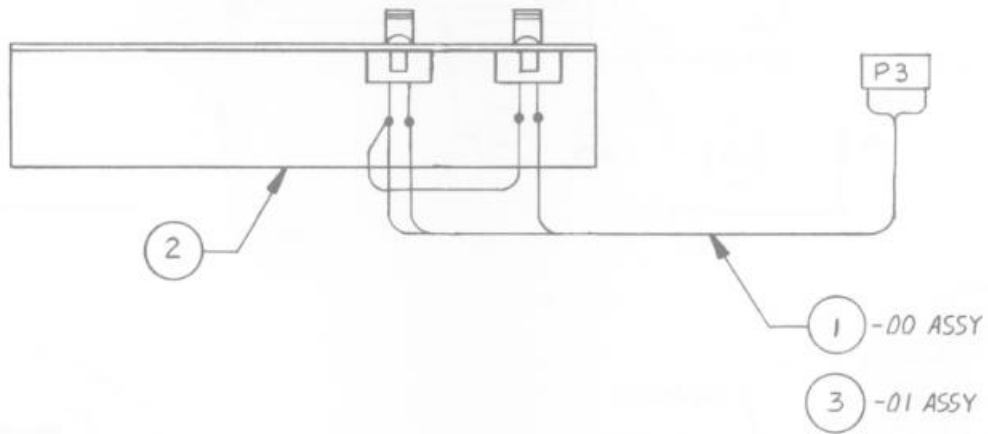
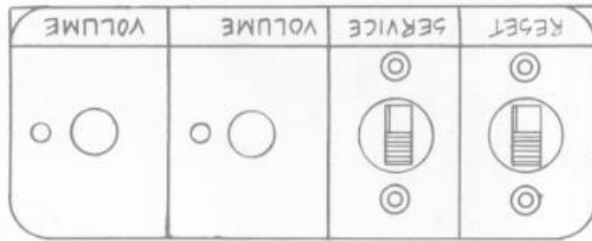
DRAWING NUMBER 800-0364

<u>ITEM NO.</u>	<u>PART NO.</u>	<u>QTY REQD.</u>	<u>DESCRIPTION</u>
		-00 -01	
1	800-0387-00	1 -	Operator Cont. Blk. Harness Assy
2	800-0388-00	1 1	Operator Control Block
3	800-0484-00	- 1	Operator Cont. Blk. Harness Assy



Operator Control Block Assembly





Assembly Name	Year	Volume	Page	Number
Assembly 1	1980	1	1	1
Assembly 2	1981	2	2	2
Assembly 3	1982	3	3	3
Assembly 4	1983	4	4	4
Assembly 5	1984	5	5	5
Assembly 6	1985	6	6	6
Assembly 7	1986	7	7	7
Assembly 8	1987	8	8	8
Assembly 9	1988	9	9	9
Assembly 10	1989	10	10	10

### Common Assemblies

Assembly Name	Year	Volume	Page	Number
Assembly 11	1990	11	11	11
Assembly 12	1991	12	12	12
Assembly 13	1992	13	13	13
Assembly 14	1993	14	14	14
Assembly 15	1994	15	15	15
Assembly 16	1995	16	16	16
Assembly 17	1996	17	17	17
Assembly 18	1997	18	18	18
Assembly 19	1998	19	19	19
Assembly 20	1999	20	20	20
Assembly 21	2000	21	21	21
Assembly 22	2001	22	22	22
Assembly 23	2002	23	23	23
Assembly 24	2003	24	24	24
Assembly 25	2004	25	25	25
Assembly 26	2005	26	26	26
Assembly 27	2006	27	27	27
Assembly 28	2007	28	28	28
Assembly 29	2008	29	29	29
Assembly 30	2009	30	30	30

AC JUNCTION BOX ASSEMBLY

DRAWING NUMBER 800-0145

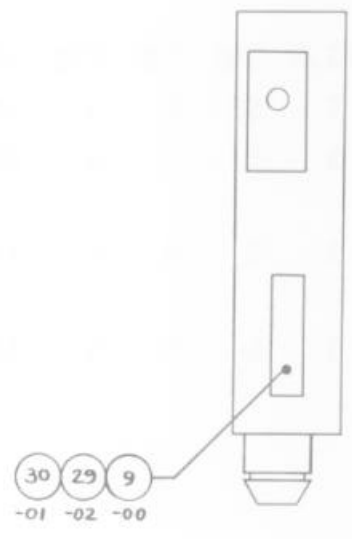
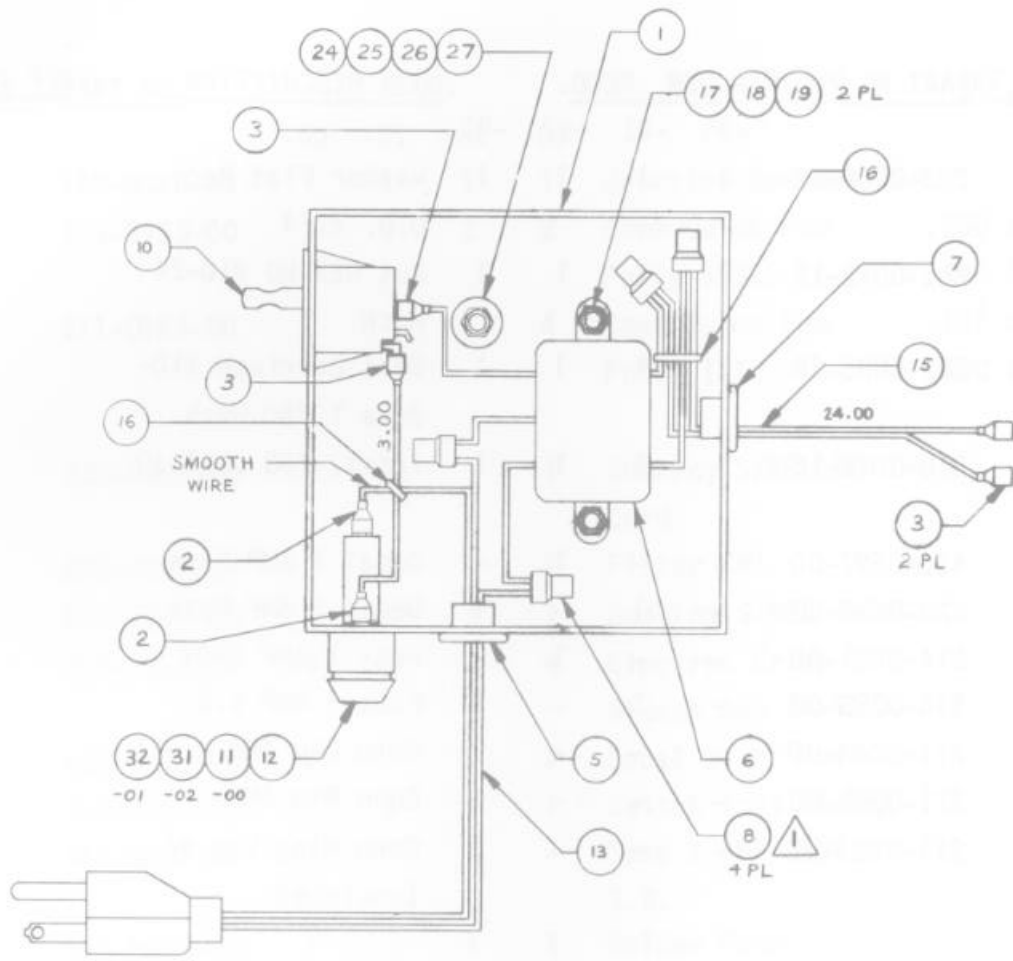
ITEM NO.	PART NO.	QTY REQD.				DESCRIPTION	REF DES.
		-00	-01	-02	-03		
1	140-0020-00	1	1	1	1	Junction Box Metal	
2	211-0165-00	2	2	2	2	Conn Quick Fem Fully INSL.	.250 x .032 (AWG 18-22)
3	211-0164-00	4	4	4	4	Conn Quick Fem Fully INSL.	.187 x .020 (AWG 18-22)
4							
5	280-0361-00	1	1	1	1	Bushing S/REL AC Cord	
6	270-0001-00	1	1	1	1	Filter EMI	
7	280-0007-00	1	1	1	1	Bushing S/REL 1/2	
8	280-0362-00	4	4	4	4	Electric Crimp Sleeve AWG 24-18	
9	420-0598-00	1	-	-	-	Decal 2 AMP Fuse	
10	510-0013-00	1	1	1	1	Switch Spot Cherry	
11	514-0001-00	1	-	-	-	Fuse 2 AMP 250V S.B.	
12	514-0005-00	1	1	1	1	Holder Fuse	
13	600-0001-00	1	1	1	1	Cord Line 3 Cond.	
14							
15	600-0079-00	2FT	2FT	2FT	3.25	Cord Line Zip	
16	280-0005-00	2	2	2	2	Cable Tie	
17	281-0002-10	2	2	2	2	SCK PN HD PHIL #6-32 x .625 Mach	
18	283-0072-11	2	2	2	2	Nut HEX HD #6-32 Mach	
19	283-0062-04	2	2	2	2	Washer Lock INT. Tooth #6	
20							
21							
22							
23							



AC JUNCTION BOX ASSEMBLY

DRAWING NUMBER 800-0145

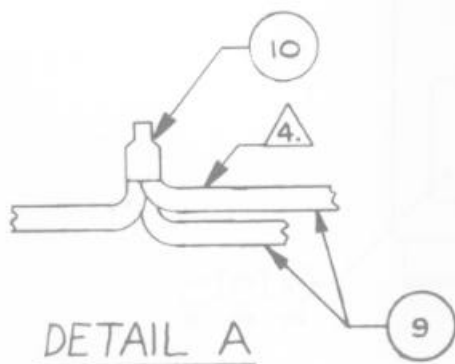
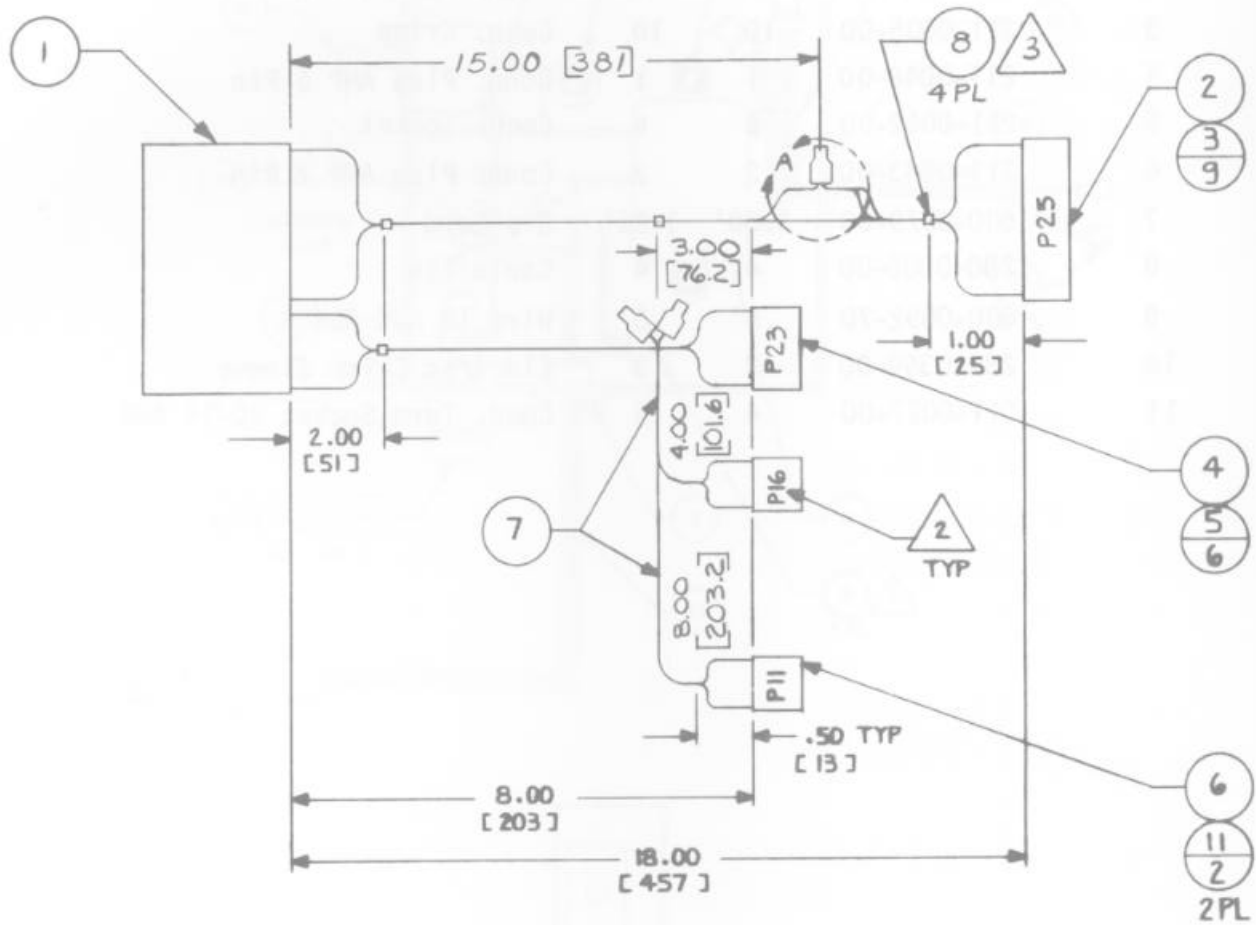
ITEM NO.	PART NO.	QTY. REQD.				DESCRIPTION	REF DES.
		-00	-01	-02	-03		
24	283-0060-32	1	1	1	1	Washer Flat Reg. O.D. #1/4	
25	283-0072-15	1	1	1	1	Nut HEX HD #10-24 Mach	
26	282-0005-28	1	1	1	1	Bolt Carriage #10- 24 x 1.750 Mach	
27	310-0016-16	1	1	1	1	Insul. TBG .187 ID	
28							
29	420-0597-00	-	-	1	-	Decal 1 AMP Fuse	
30	420-0634-00	-	1	-	1	Decal 5 AMP Fuse	
31	514-0051-00	-	-	1	-	Fuse 1 AMP 250V	
32	514-0053-00	-	1	-	1	Fuse 5 AMP S.B.	
33	211-0044-00	-	-	-	1	Conn Cap AMP 2 Pin	
34	211-0041-00	-	-	-	2	Conn Pin AMP	
35	211-0027-01	-	-	-	2	Conn Ring Lug #6 Insulated	



<u>ITEM NO.</u>	<u>PART NO.</u>	<u>QTY.</u>		<u>DESCRIPTION</u>
		<u>REQD.</u>		
1	560-0055-00	1	1	Transformer G-80 PWR Supply
2	212-0016-00	1	1	Conn. FEM 10 Pin
3	211-0005-00	10	10	Conn. Crimp
4	211-0045-00	1	1	Conn. Plug AMP 6 Pin
5	211-0042-00	6	6	Conn. Socket
6	211-0043-00	2	2	Conn. Plug AMP 2 Pin
7	600-0079-00	1.00'	1.25'	Zip Cord
8	280-0005-00	4	4	Cable Tie
9	600-0092-70	.5'	.5'	Wire 18 AWG BLK
10	280-0359-00	3	3	Electric Crimp Sleeve
11	211-0077-00	4	4	Conn. Term Socket 20-14 AWG

# EMI Transformer Assembly

800-0190



FLUORESCENT LAMP ASSEMBLY

DRAWING NUMBER 800-0147

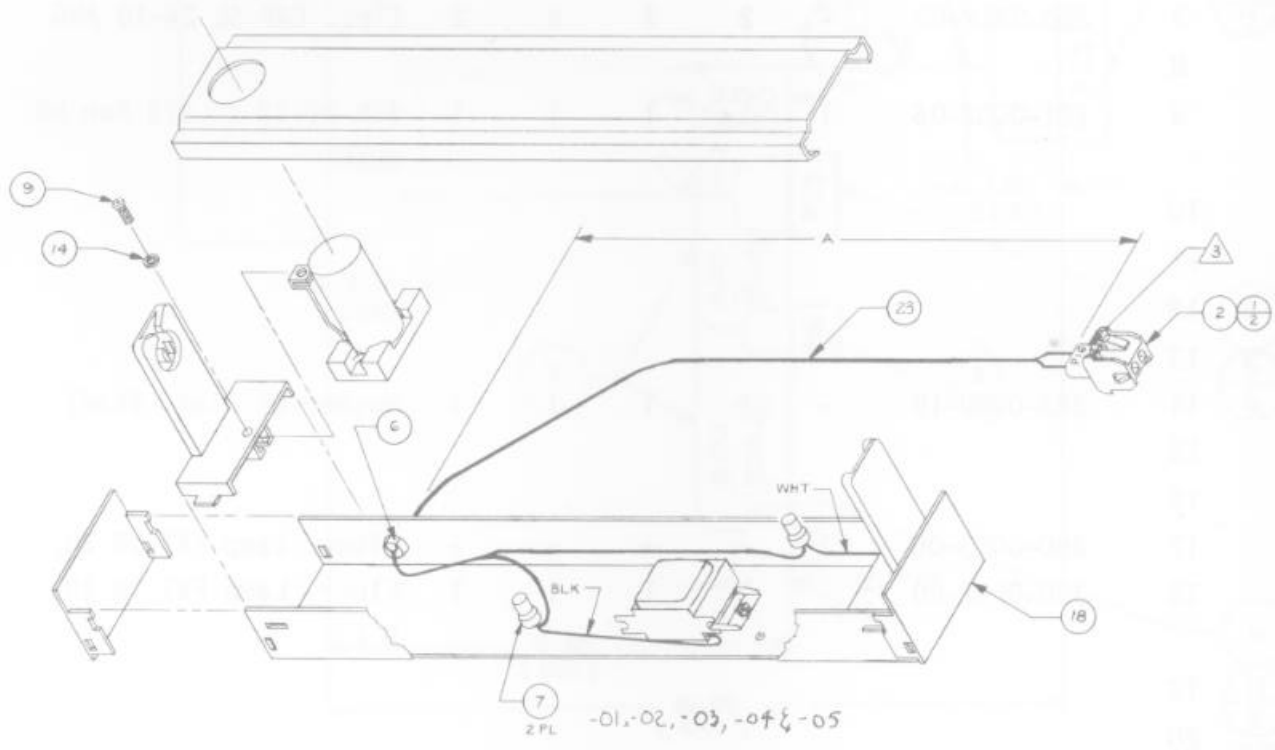
<u>ITEM NO.</u>	<u>PART NO.</u>	<u>QTY. REQD.</u>				<u>DESCRIPTION</u>	
1	211-0041-00	2	2	2	2	2	Conn Pin AMP
2	211-0044-00	1	1	1	1	1	Conn Cap AMP 2 Pin
3							
4	211-0166-00	1	-	-	-	-	Conn Crimp Ring #10
5							
6	280-0361-00	-	1	1	1	1	BSHG STR RLF AC Cord
7	280-0362-00	-	2	2	2	2	Elec. CRP SL 24-18 AWG
8							
9	281-0002-06	1	1	1	1	1	SCR #6-32 x .375 Pan HD PHIL
10							
11							
12							
13							
14	283-0060-19	-	1	1	1	1	Washer #6 Flat, Steel
15							
16							
17	390-0083-00	1	-	-	-	-	Fluor. Lamp FXT 18 IN.
18	390-0117-00	-	1	1	1	1	Fluor. Lamp FXT 18 IN. U.L.
19							
20							
21							
22							
23	600-0079-00	-	5.9'	7.6'	4.0'	4.4'	CA 2 Cond. Zip Cord

# Flourescent Lamp 2 Assembly

800-0147

Flourescent Lamp 2 Assembly  
800-0147

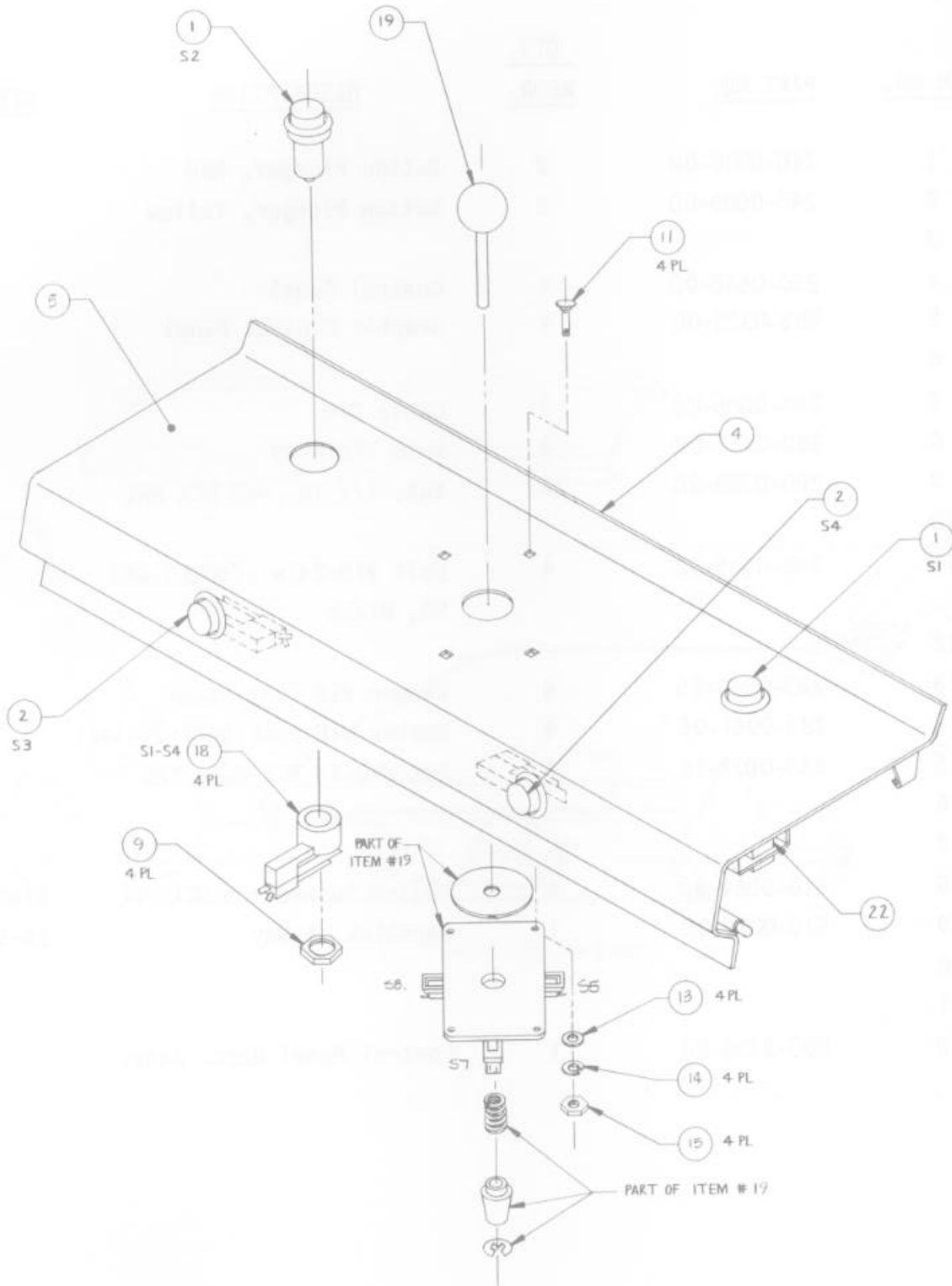
800-0147  
Flourescent Lamp 2 Assembly



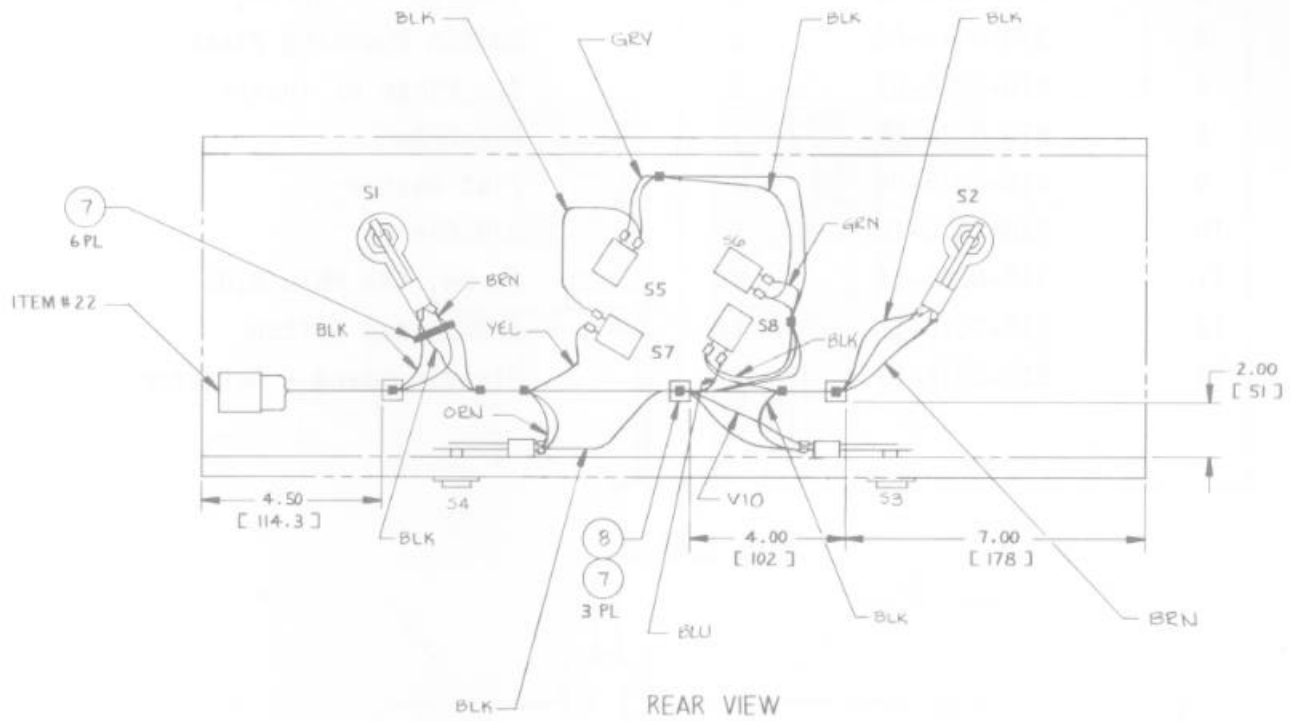
## CONTROL PANEL ASSEMBLY

DRAWING NUMBER 800-3396

<u>ITEM NO.</u>	<u>PART NO.</u>	<u>QTY.</u> <u>REQD.</u>	<u>DESCRIPTION</u>	<u>REF DES.</u>
1	240-0006-00	2	Button Plunger, Red	
2	240-0009-00	2	Button Plunger, Yellow	
3				
4	250-0648-00	1	Control Panel	
5	253-0329-00	1	Graphic Control Panel	
6				
7	280-0005-00	9	Cable Tie	
8	280-0327-00	3	Base Tie Wrap	
9	280-0329-00	4	Nut, 1/2 IN. -13 HEX PAL	
10				
11	282-0005-12	4	Bolt #10-24 x .750 LG CRG HD, Black	
12				
13	283-0060-25	4	Washer #10 Flat Steel	
14	283-0061-06	4	Washer #10 Lock Split, Steel	
15	283-0072-15	4	Nut #10-24 HEX Mach THD	
16				
17				
18	510-0064-00	4	Switch Pushbutton MTL PNL	S1-S4
19	510-0075-00	1	Joystick, 8-Way	S5-S8
20				
21				
22	800-3398-00	1	Control Panel Harn. Assy.	



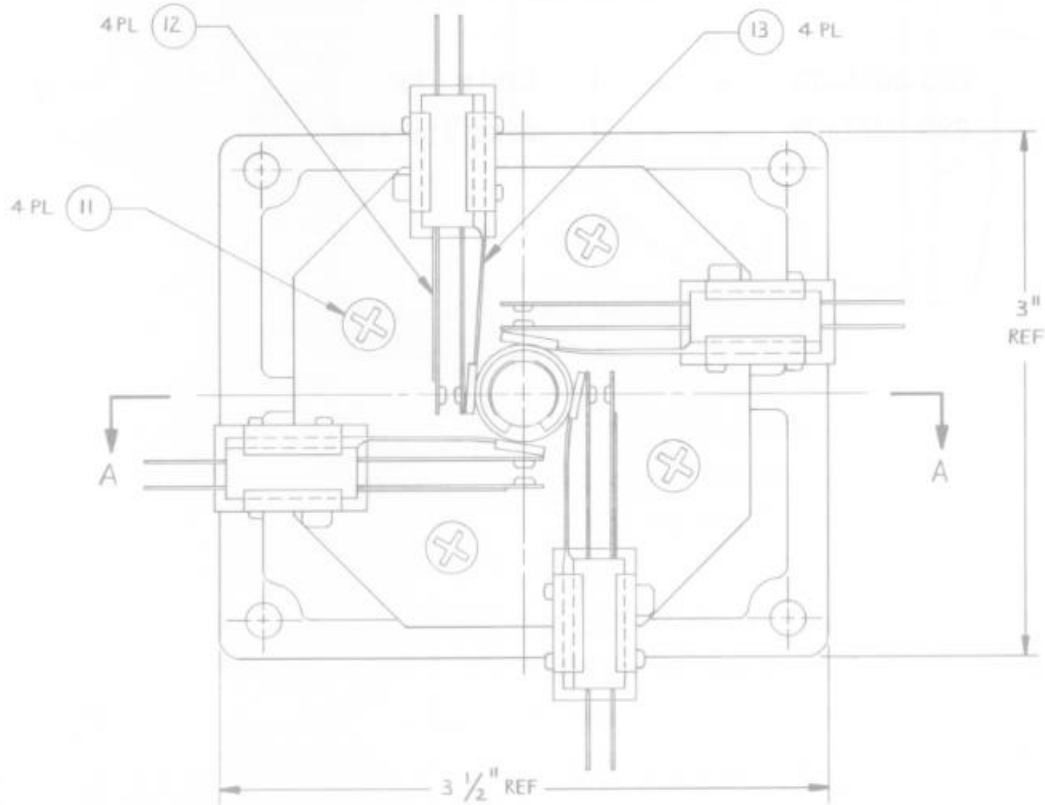
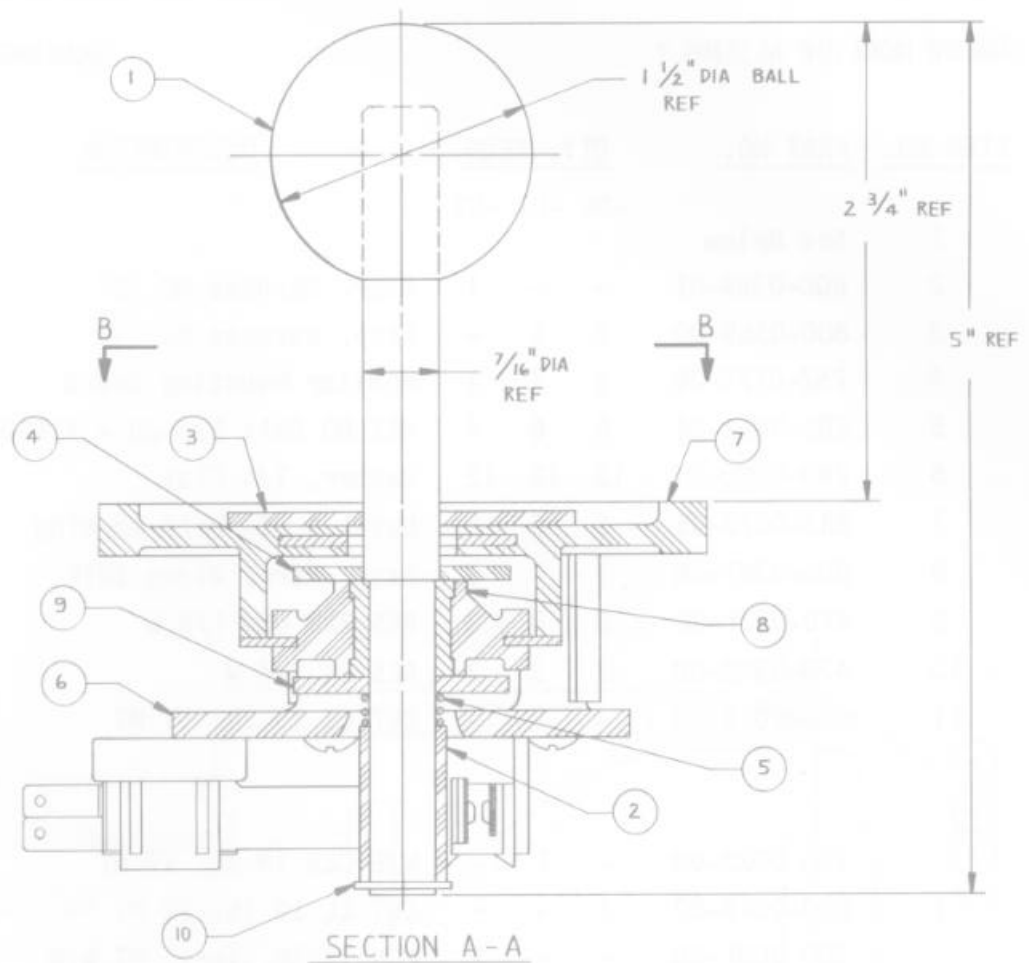




## 8-WAY JOYSTICK ASSEMBLY

DRAWING NUMBER 510-0075

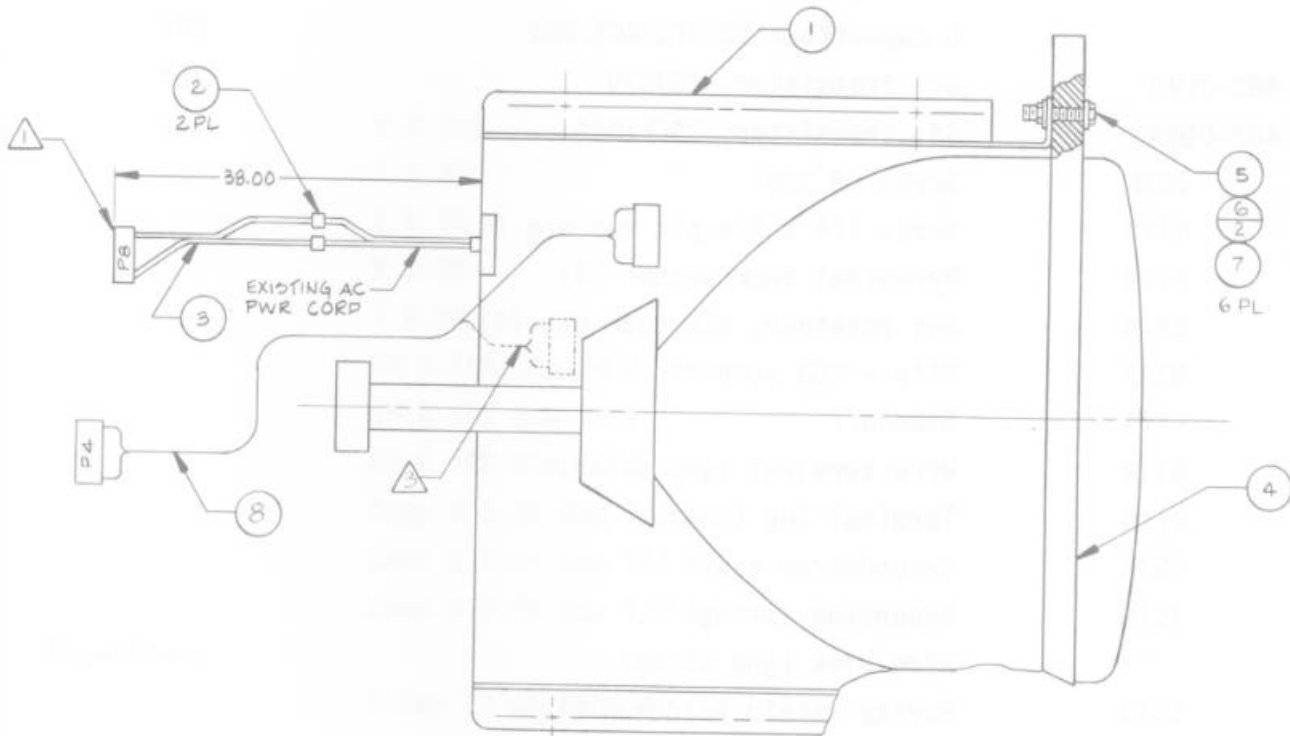
<u>ITEM NO.</u>	<u>PART NO.</u>	<u>QTY REQD.</u>	<u>DESCRIPTION</u>
1	510-0075-01	1	Ball, Handle, Shaft
2	510-0075-02	1	Actuator Switch
3	510-0075-03	1	2" Washer
4	510-0075-04	1	Bottom Washer
5	510-0075-05	1	Compression Spring
6	510-0075-06	1	Switch Mounting Plate
7	510-0075-07	1	Top Plate w/ insert
8	510-0075-08	1	Diaphram
9	510-0075-09	1	Flat Washer
10	510-0075-10	1	3/8 E-ring
11	510-0075-11	4	Screw, 6X1 PHIL R.H.
12	510-0075-12	4	2/2 Molded Switch
13	510-0075-13	4	Plastic Guard - Actuator



COLOR MONITOR ASSEMBLY

DRAWING NUMBER 800-0362

ITEM NO.	PART NO.	QTY. REQD.			DESCRIPTION	REF DES.
		-00	-01	-02		
1	See Below					
2	800-0369-01	-	-	1	Assy. Harness AC "Z"	
3	800-0369-00	1	1	-	Assy. Harness AC "Z"	
4	252-0175-00	1	1	1	Monitor Mounting Board	
5	282-0017-24	6	6	6	HEX HD Bolt 1/4-20 x 1.500 LG	
6	283-0060-34	12	12	12	Washer, 1/4 Flat	
7	283-0070-05	6	6	6	Nut-1/4 HEX Self-Locking	
8	800-0361-00	1	1	1	Assy. Harn. Video INTF	
9	470-0221-00	3	3	3	RES 220 OHM 1/4 W	See SH 2
10	470-0302-00	3	3	3	RES 3K 1/4 W	See SH 2
11	200-0019-00	-	1	-	CRT CL 19 IN. VT MT	
	200-0022-00	-	1	-	W/G CLR 19 IN. VT MT	
1	200-0019-00	1	-	-	CRT CL 19 IN. VT MT	
	200-0091-00	-	-	1	MON 19 IN. Vert. MT W/G	
12	280-0005-00	-	-	1	Cable Tie	
13	280-0327-00	-	-	1	Base Tie Wrap	



## OUTSIDE OF THE PCB ASSY

<u>Part No.</u>	<u>Description</u>	<u>Ref. Des.</u>
200-0667	Picture tube 19"	
200-0068	Deflection yoke	
113-0009	PC magnet	
560-0096	Flyback trans.	
	HVR	
	UNF resistor 220 Ohm, 25W K	R05
	C capacitor 150 pf, AC1.5KV	C04
482-0198	Si. transistor, 2SD870	X01
482-0143	Si. transistor, 2SC1106A	X02
	Screw #8 3/8	
	Screw 1/4 x 3/4 pix tub mtg (4)	
	Pyramidal lock washer (4)	
	Nut retainer, pix tube mtg (4)	
	Clip - PCB support	
	Standoff	
	Wire terminal (gnd strap)	
	Terminal lug (gnd)	
	Groundstrap assy	
	Grounding spring	
	Wire hook (gnd strap)	
	Purity shield holddown clamp	
	Support brkt RH	
	Support brkt LH	
	Chassis base	
	Yoke wedge (3)	
PURITY SHIELD ASSY		
180-0022	Degaussing coil	D911, D912
481-0225	Rectifier 1 amp 600 V (2)	
	Pin Terminal (2)	

<u>Part No.</u>	<u>Description</u>	<u>Ref. Des.</u>
	Pin terminal housing	
	Purity shield (2 pcs)	
	Purity shield (2 pcs)	
	Capacitor 100 nf 10% 400V	C911
	Resistor, wirewound 33 Ohm, 4W	R921
	Fire retardant term strip 4 lug	
	CRT SOCKET PCB ASSY	
	V R 200	R105
	V R 200	R106
	V R 5K	R113
	V R 5K	R114
	V R 5K	R115
	OM R 10K Ohm 2W J	R116
	OM R 10K Ohm 2W J	R117
	OM R 10K Ohm 2W J	R118
	Comp R 3.3K Ohm 1/2 K	R119
	Comp R 3.3K Ohm 1/2 K	R120
	Comp R 3.3K Ohm 1/2 K	R121
Capacitors	E Cap 10 uf 250V A	C107
	C Cap 1000 pf DC1400V P	C108
Coils		
180-0023	Peaking coil	L101
Semiconductors		
482-0290	Si transistor, 2SC1514VC	X101
482-0290	Si transistor, 2SC1514VC	X102
482-0290	Si transistor, 2SC1514VC	X103
Miscellaneous		
213-0022	CRT socket	

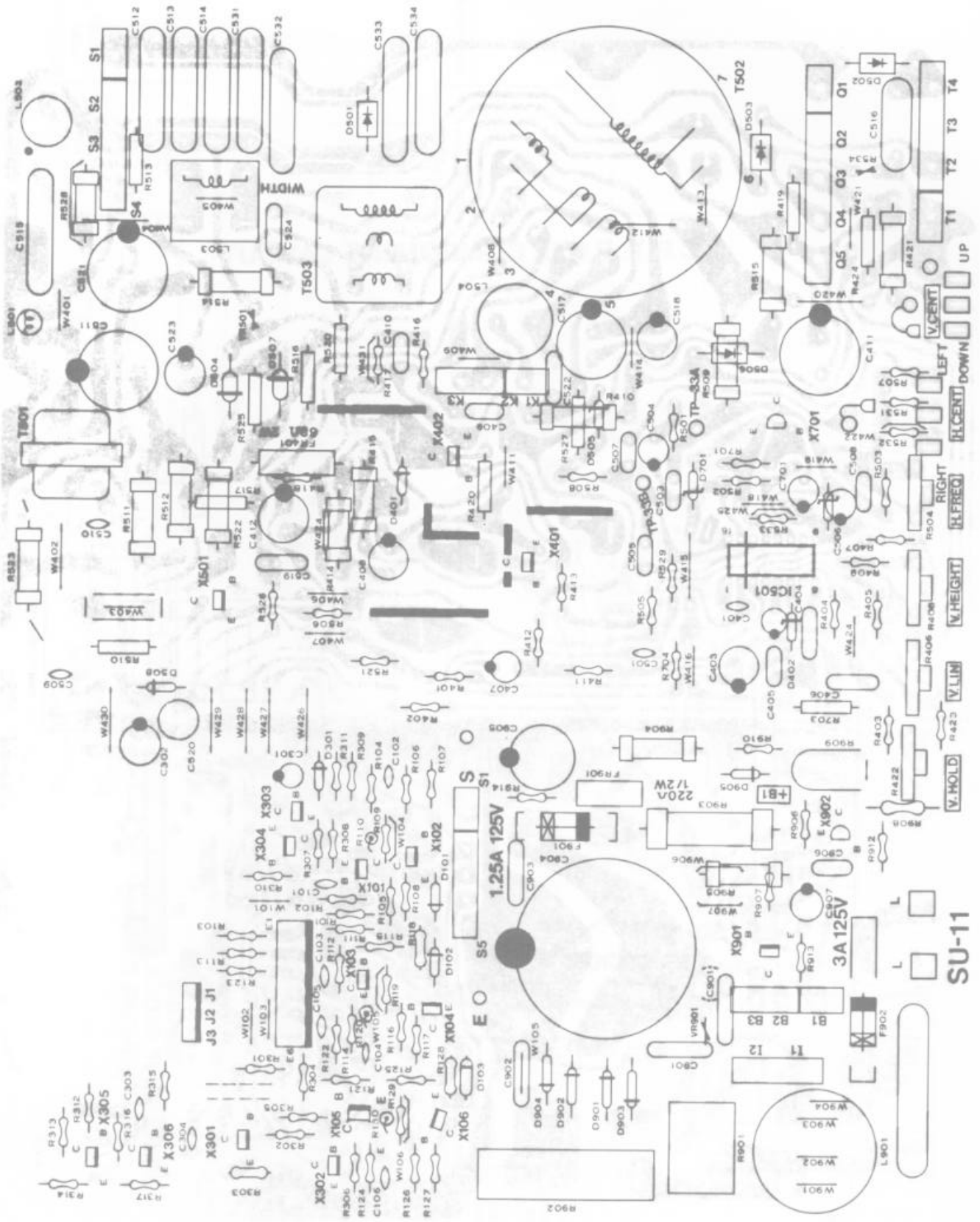
<u>Part No.</u>	<u>Description</u>	<u>Ref. Des</u>
	MAIN PCB ASSY	
Resistors		
	V R 200 Ohm	R406
	V R 200 Ohm	R408
	CMF R 6.8 Ohm 1W J	R410
	OM R 3.3K Ohm 1W J	R414
	OM R 2.7K Ohm 1W J	R415
	OM R 12K Ohm 2W J	R421
	V R 10K Ohm	R422
	F R 68 Ohm 2W K	FR401
	CMF R 11.8K Ohm 1/4W + 1%	R503
	V R 5K Ohm	R504
	OM R 10K Ohm 2W J	R509
	OM R 8.2K Ohm 2W J	R512
	OM R 820 Ohm 2W J	R514
	CMF R 8.2 Ohm 1W J	R515
	CMF R 4.7 Ohm 1W J	R522
	OM R 68 Ohm 2W J	R523
	OM R 390 Ohm 1W J	R528
	ZN R 470 Ohm	R534
	ZN R	VR501
	CMF R 39 Ohm 1/2W + 1%	R703
	CMF R 7.68K Ohm 1/4 + 1%	R704
	Posistor	R901
	UNF R 2 Ohm 7W K	R902
	CMF R 4.7 Ohm 3W J	R903
	OM R 10K Ohm 2W J	R904
	OM R 18K Ohm 1W J	R905
	CMF R 47 Ohm 1/2W + 1%	Q908
	V R 2K Ohm	R909
	CMF R 2.74K Ohm 1/4 + 1%	R910
	F R 220 Ohm 1/2W K	FR901



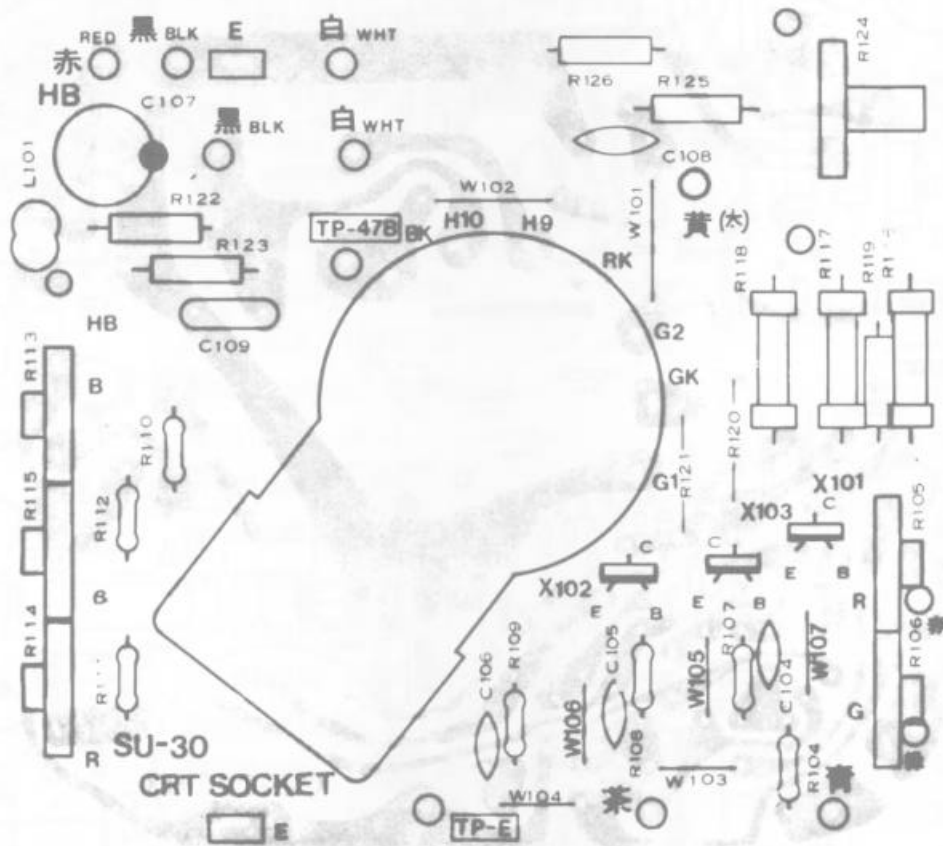
<u>Part No.</u>	<u>Description</u>	<u>Ref. Des</u>
Capacitors		
	BPE Cap 3.3 uf 50V A	C301
	Tan cap 2.2 uf 16V K	C402
	E cap 4.7 uf 6.3V A	C407
	E cap 100 uf 160V A	C411
	E cap 3.3 uf 160V A	C412
	PP cap 5600 uf 50V J	C508
	PP cap 2000 pf DC1500V J	C512
	PP cap 2000 pf DC1500V J	C513
	PP cap 2000 pf DC1500V J	C514
	PP cap 0.53 uf DC1200V J	C515
	BPE cap 3.3 uf 50V A	C520
	E cap 1 uf 160V A	C523
	M cap 0.1 uf 200V K	C524
	PP cap 2000 pf DC1500V J	C531
	PP cap 1500 pf DC1500V J	C532
	E cap	C904
	E cap 10 uf 250V A	C905
Coils		
180-0024	Linarity coil	L502
181-0031	Width coil	L503
180-0025	Heater choke	L504
Transformers		
560-0061	Hor drive transf	T501
560-0097	Side pin transf	T503
Semiconductors		
316-0807	IC HA11244	IC501
482-0177	Si transistor, 2SC1685(R)	X101
482-0111	Si transistor, 2SA673(C)	X102
482-0177	Si transistor, 2SC1685(R)	X103
482-0111	Si transistor, 2SA673(C)	X104
482-0177	Si transistor, 2SC1685(R)	X105

<u>Part No.</u>	<u>Description</u>	<u>Ref. Des</u>
482-0111	Si transistor, 2SCA673(C)	X106
482-0177	Si transistor, 2SC1685(R)	X301
482-0177	Si transistor, 2SC1685(R)	X302
482-0111	Si transistor, 2SA673(C)	X303
482-0177	Si transistor, 2SC1685(R)	X304
482-0177	Si transistor, 2SC1685(R)	X305
482-0196	Si transistor, 2SD478	X401
482-0196	Si transistor, 2SD478	X402
482-0291	Si transistor, 2SC2610BK	X501
482-0257	Si transistor, 2SC2688 (KLM)	X901
482-0258	Si transistor, 2SC1890A (EF)	X902
481-0226	Si diode, W06A	D101
481-0226	Si diode, W06A	D102
481-0226	Si diode, W06A	D103
481-0149	Si diode, 1SZ473H	D301
481-0149	Si diode, 1SZ473H	D401
481-0227	Zener diode, RD10F (C)	D402
481-0171	Si diode, HF-1	D503
481-0228	Si diode, V09E	D504
481-0229	Zener diode, RD11E(B)	D505
581-0226	Si diode, W06A	D506
481-0230	Si diode, 1SS81	D507
481-0149	Si diode, 1SZ473H	D508
481-0231	Zener diode, RD20EV2	D701
481-0160	Si diode, 1S1887A	D901
481-0160	Si diode, 1S1887A	D902
481-0160	Si diode, 1S1887A	D903
481-0160	Si diode, 1S1887A	D904
481-0198	Zener diode, RD6.8EV3	D905
Miscellaneous		
	Fuse 1.25A	F901
	US fuse 3A	F902

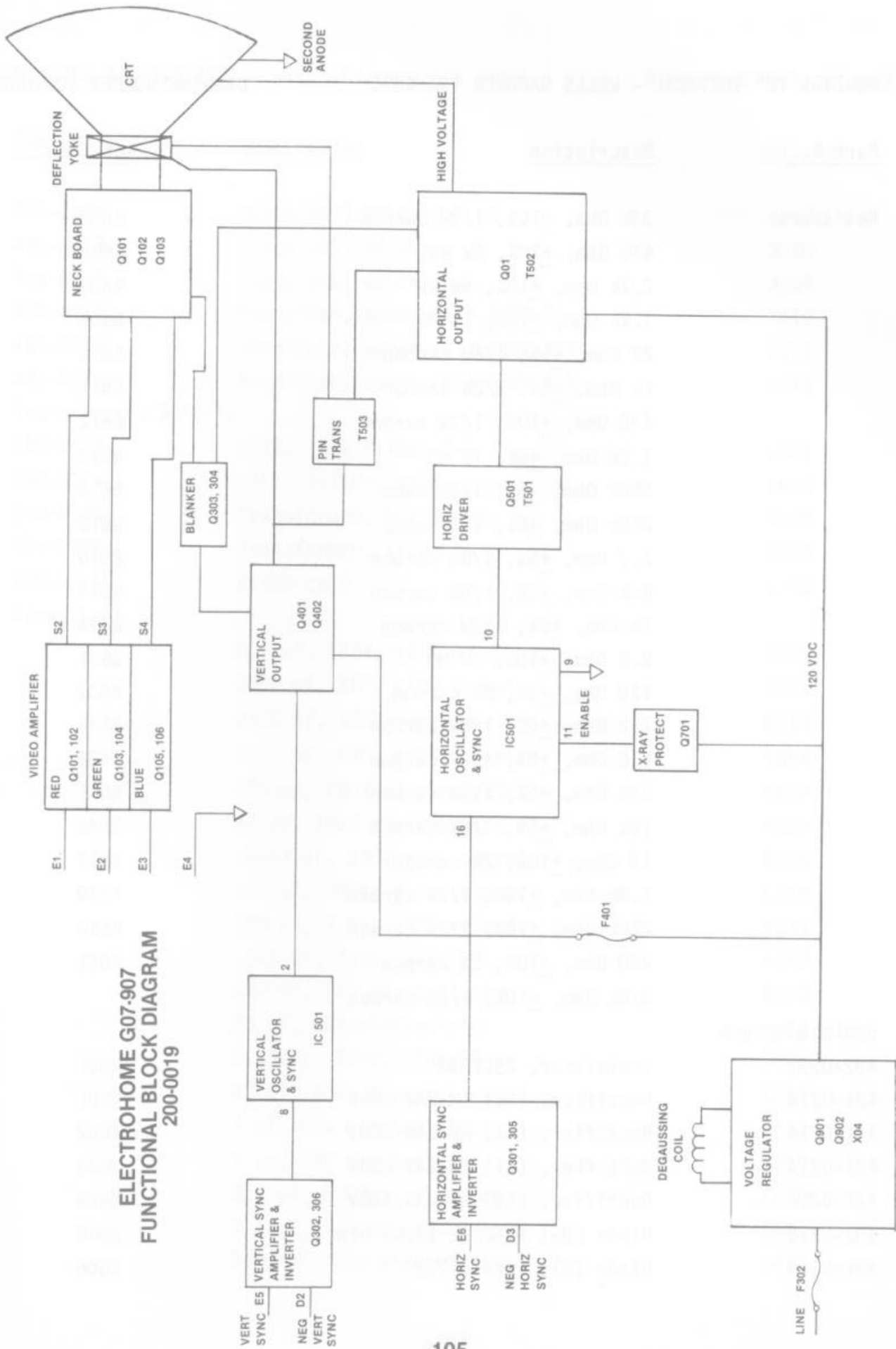
MAIN P.C.B. COMPONENT LAYOUT



C.R.T. P.C.B. COMPONENT LAYOUT



# ELECTROHOME G07-907 FUNCTIONAL BLOCK DIAGRAM 200-0019



<u>Part No.</u>	<u>Description</u>	<u>Ref. Des</u>
Resistors	33k Ohm, <u>+10%</u> , 1/2W carbon	R603
	470 Ohm, <u>+10%</u> , 5W WW	R606
	2.7k Ohm, <u>+10%</u> , 5W WW	R607
	1.2k Ohm, <u>+10%</u> , 1W MO	R608
	22 Ohm, <u>+5%</u> , 1/8W carbon	R610
	1k Ohm, <u>+5%</u> , 1/2W carbon	R611
	470 Ohm, <u>+10%</u> , 1/2W carbon	R612
	1.2k Ohm, <u>+5%</u> , 1W MO	R613
	680k Ohm, <u>+5%</u> , 1/2W comp	R614
	270k Ohm, <u>+5%</u> , 1/2W comp	R615
	2.7 Ohm, <u>+5%</u> , 1/8W carbon	R616
	68k Ohm, <u>+5%</u> , 1/8W carbon	R617
	1k Ohm, <u>+5%</u> , 1/2W carbon	R624
	2.2 Ohm, <u>+10%</u> , 5W MO	R631
	120 Ohm, <u>+5%</u> , 5W carbon	R632
	2.2 Ohm, <u>+5%</u> , 1/8W carbon	R634
	6.8 Ohm, <u>+5%</u> , 1/2W carbon	R635
	33k Ohm, <u>+5%</u> , 1/8W carbon	R641
	15k Ohm, <u>+5%</u> , 1/8W carbon	R642
	15 Ohm, <u>+10%</u> , 2W carbon	R647
	1.8k Ohm, <u>+10%</u> , 1/2W carbon	R649
	270k Ohm, <u>+10%</u> , 1/2W carbon	R650
	240 Ohm, <u>+10%</u> , 2W carbon	R651
	6/8k Ohm, <u>+10%</u> , 1/2W carbon	
Semiconductors		
482-0262	Transistor, 2SC1893	TR601
481-0214	Rectifier, (SI) RM-2AV 600V	X601
481-0214	Rectifier, (SI) RM-2AV 600V	X602
481-0214	Rectifier, (SI) RM-2AV 600V	X603
481-0214	Rectifier, (SI) RM-2AV 600V	X604
481-0215	Diode (HS) SB-2CGL 1200V min	X605
481-0149	Diode (SI) IS2473-772	X606

<u>Part No.</u>	<u>Description</u>	<u>Ref. Des</u>
481-0216	Diode (HS) RC-2V 0.8 US	X607
481-0217	Diode (HS) RU-2V	X608
481-0217	Diode (HS) RU-2V	X609
481-0218	Rectifier, power (SI) 500V PIV	X610
481-0218	Rectifier, power (SI) 500V PIV	X611
481-0218	Rectifier, power (SI) 500V PIV	X612
Transformers & Coils		
180-0020	Coil, line filter R-3	L601
180-0014	Coil, filter, 10uh	L602
560-0094	Transformer, hor drive	T602
560-0095	Transformer, side PC	T603
180-0015	Width coil	L702
Capacitors		
	0.1 uf, 125V, <u>+20%</u> MM	C601
	2200 pf, Z5F, <u>+10%</u> ceramic	C602
	2200 pf, 125V ceramic	C603
	2200 pf, Z5F, <u>+10%</u> ceramic	C604
	330 uf, 200V electrolytic	C605
	47 uf, 160V electrolytic	C608
	.0033 uf, 500V <u>+10%</u> ceramic	C609
	.01 uf, 500V, <u>+10%</u> ceramic	C610
	100 pf, 3 KV, <u>+10%</u> ceramic	C611
	.022 uf, 200v, <u>+10%</u> PP	C612
	220 uf, 25V electrolytic	C613
	33 uf, 25V electrolytic	C614
	0.39 uf, 200V, <u>+10%</u> PP	C615
	47 pf, 500V ceramic	C616
	1 uf, 50v electrolytic	C617
	1 uf, 50V electrolytic	C619
	0.1 uf, 100V, <u>+10%</u> mylar	C620
	0.1 uf, 1.5 KV, <u>+20%</u> paper	C621
	1000 uf, 35V electrolytic	C622

<u>Part No.</u>	<u>Description</u>	<u>Ref. Des</u>
Capacitors (cont)	470 uf, 25V electrolytic	C623
	100 uf, 25V electrolytic	C624
	10 uf, 160V electrolytic	C625
	100 pf, 500V, +10% ceramic	C626
	39 pf, 500V, +10% ceramic	C627
	2200 pf, 500V, +10% ceramic	C628
	6900 pf, 1.5 KV, +5% PP	C629
	2.2 uf, 50V electrolyte	C633
	3 pf, 2 kV, +0.5 pf ceramic	C637
	.056 uf, 10% mylar	C638
Miscellaneous		
	Fuse (UL/CSA) 3A-125	F601
	Socket, 6 pin	J607
	Plug, 3 pin (GT)	P602
	Plug, 4 pin (NM)	P604
	Plug, 6 pin (GT)	P607
	Plug, 3 pin (NM)	P608
	Plug, 2 pin (NM)	P611
	Thermistor	TH601
	Plug, 6 pin	P201
	Plug, 6 pin	P202
	VERT/HOR BOARD	
Resistors		
	820 Ohm, +5%, 1/8W carbon	R301
	12k Ohm, +5%, 1/8W carbon	R302
	15k Ohm, +5%, 1/8W carbon	R303
	10k Ohm, +5%, 1/8W carbon	R304
	330k Ohm, +5%, 1/8W carbon	R305
	1k Ohm, +5%, 1/8W carbon	R306
	1.5k Ohm, +5%, 1/8W carbon	R307
	2.2k Ohm, +5%, 1/8 carbon	R309



<u>Part No.</u>	<u>Description</u>	<u>Ref. Des</u>
Resistors (cont)	470k Ohm, <u>+5%</u> , 1/8W	R310
	56k Ohm, <u>+5%</u> , 1/8W carbon	R311
	100k Ohm, <u>+5%</u> , 1/8W carbon	R312
	10k Ohm, <u>+5%</u> , 1/8W carbon	R313
	47k Ohm, <u>+5%</u> , 1/8W carbon	R314
	820 Ohm, <u>+5%</u> , 1/8W carbon	R315
	120 Ohm, <u>+5%</u> , 1/2W carbon	R316
	2.2 Ohm, <u>+5%</u> , 1/2W carbon	R317
	33k Ohm, <u>+5%</u> , 1/4W carbon	R318
	10 Ohm, <u>+5%</u> , 1/8W carbon	R319
	15k Ohm, <u>+5%</u> , 1/8W carbon	R320
	560 Ohm, <u>+5%</u> , 1/2W carbon	R321
	22 Ohm, <u>+5%</u> , 2W MO	R322
	1.5 Ohm, <u>+5%</u> , 1/8W carbon	R323
	27k Ohm, <u>+5%</u> , 1/8W carbon	R234
	47 Ohm, <u>+5%</u> , 1/8W carbon	R325
	820 Ohm, <u>+5%</u> , 1/8W carbon	R328
	10k Ohm, <u>+5%</u> , 1/8W carbon	R330
	220k Ohm, <u>+5%</u> , 1/8W carbon	R331
	2.2k Ohm, <u>+5%</u> , 1/8W carbon	R351
	15k Ohm, <u>+5%</u> , 1/8W carbon	R352
	18k Ohm, <u>+5%</u> , 1/8W carbon	R353
	3.9k Ohm, <u>+5%</u> , 1/8W carbon	R354
	12k Ohm, <u>+5%</u> , 1/8W carbon	R355
	470 Ohm, <u>+5%</u> , 1/8W carbon	R356
	2.2k Ohm, <u>+5%</u> , 1/8W carbon	R357
	1.2k Ohm, <u>+5%</u> , 1/8W carbon	R358
	68k Ohm, <u>+5%</u> , 1/8W carbon	R359
	27 Ohm, <u>+5%</u> , 1/4W carbon	R360
	1.2k Ohm, <u>+5%</u> , 1/8W carbon	R361
	1.2k Ohm, <u>+5%</u> , 1/8W carbon	R363
	47k Ohm, <u>+5%</u> , 1W MO	R364

<u>Part No.</u>	<u>Description</u>	<u>Ref. Des</u>
Resistors (cont)		
	56k Ohm, <u>+5%</u> , 1/2W carbon	R365
	3.3k Ohm, <u>+5%</u> , 1/8W carbon	R366
	2.2k Ohm, <u>+5%</u> , 1/2W carbon	R367
	3.9k Ohm, <u>+5%</u> , 1/8W carbon	R368
	3.3k Ohm, <u>+5%</u> , 1/4W carbon	R369
	1k Ohm, <u>+5%</u> , 1/4W carbon	R370
	2.7k Ohm, <u>+5%</u> , 1/4W carbon	R371
	2.2k Ohm, <u>+5%</u> , 1/4W carbon	R383
	8.2k Ohm, <u>+5%</u> , 1/4W carbon	R384
	Varistor, 250k Ohm, vert hold	VR301
	Varistor, 20k Ohm, vert size	VR302
	Varistor, 50k Ohm, hor hold	VR351
Capacitors		
	0.15 uf, 50V <u>+10%</u> mylar	C301
	0.222 uf, 50V, <u>+10%</u> mylar	C302
	0.1 uf, 50V, <u>+10%</u> mylar	C304
	2.2 uf, 50V electrolytic	C306
	0.15 uf, 50V, <u>+10%</u> mylar	C307
	0.1 uf, 50V, <u>+10%</u> mylar	C309
	22 uf, 16V electrolytic	C310
	1000 uf, 35V electrolytic	C311
	0.0082 uf, 50V, <u>+10%</u> ceramic	C312
	47 uf, 50V electrolytic	C313
	10 uf, 25V electrolytic	C315
	3300 uf, 50V, <u>+10%</u> mylar	C316
	100 pf 50V, <u>+10%</u> ceramic	C317
	1500 pf, 50V, <u>+10%</u> ceramic	C351
	1000 pf, 50V, <u>+10%</u> ceramic	C352
	0.022 uf, 50V, <u>+10%</u> mylar	C353
	0.1 uf, 50V, <u>+10%</u> mylar	C355
	4.7 uf, 25V electrolytic	C356

<u>Part No.</u>	<u>Description</u>	<u>Ref. Des</u>
Capacitors (cont)	0.015 uf, 200V, <u>+10%</u> PP	C357
	0.018 uf, 200V, <u>+10%</u> PP	C358
	4.7 uf, 160V electrolytic	C359
	0.01 uf, 50V, <u>+10%</u> ceramic	C360
	0.015 uf, 50V, <u>+10%</u> mylar	C361
	10 uf, 50V electrolytic	C362
	0.01 uf, 640V, <u>+10%</u> PP	C363
	0.01 uf, 50V, <u>+10%</u> ceramic	C364
Semiconductors		
482-0282	Transistor, 2SA826Q	TR301
482-0261	Transistor, 2SC1740Q	TR302
482-0283	Transistor, 2SA1740Q	TR303
482-0261	Transistor, 2SC1740Q	TR304
452-0284	Transistor, 2SA490YLBGLI	TR305
482-0285	Transistor, 2SC1625YLBGLI	TR306
482-0261	Transistor, 2SC1740R	TR307
482-0261	Transistor, 2SC1740Q	TR308
482-0117	Transistor, 2SA854Q	TR351
482-0286	Transistor, 2SC1722BKS	TR352
482-0261	Transistor, 2SC1740Q	TR353
482-0282	Transistor, 2SA826Q	TR354
481-0149	Diode (SI) IS2473-T72	X301
481-0149	Diode (SI) IS2473-T72	X302
481-0099	Diode (GE) IN60TVGL	X303
481-0219	Diode (SI) ISS81	X304
481-0219	Diode (SI) ISS81	X305
481-0219	Diode (SI) ISS81	X306
481-0220	Diode (SI) MA26W	X307
481-0149	Diode (SI) IS2473	X308
481-0149	Diode (SI) IS2473-T72	X351
481-0149	Diode (SI) IS2473-T72	X352
481-0149	Diode (SI) IS2473-T72	X53

<u>Part No.</u>	<u>Description</u>	<u>Ref. Des</u>
481-0149	Diode (SI) IS2473-T72	X54
481-0221	Diode (Zener) RD10EBI	X355
481-0222	Diode (HS) RU-1 0.3 US	X366
Miscellaneous		
204X9300-958	Socket, 6 pin	J301
204X9300-958	Socket, 6 pin	J302
204X9601-195	Plug, 6 pin	P301
204X9601-195	Plug, 6 pin	P302
201X0000-534	Thermistor	TH301
Transformers & Coils		
101-0030	Coil, horiz osc	L351
POWER BOARD		
Resistors		
	180 Ohm, <u>+10%</u> m 15W WW	R501
	100 Ohm, <u>+5%</u> , 1/8W carbon	R502
	1k Ohm, <u>+5%</u> , 1/8W carbon	R503
	560 Ohm, <u>+5%</u> , 1/8W carbon	R504
	39k Ohm, <u>+5%</u> , 1W MO	R505
	6.8k Ohm, <u>+5%</u> , 1/8W carbon	R506
	Varistor volt adj	VR501
Capacitors		
	10 uf, 160V electrolytic	C501
	1500 pf, 50V, <u>+10%</u> ceramic	C502
	22 uf, 16V electrolytic	
Semiconductors		
482-0261	Transistor, 2SC1740Q	TR501
482-0288	Transistor, 2SC1454	TR502
481-0135	Diode (SI) zener EQB01-06V	X501
481-0149	Diode (SI) IS2473-T72	X502
Miscellaneous		
	Socket, 6 pin	J501

<u>Part No.</u>	<u>Description</u>	<u>Ref. Des</u>
	Plug, 6 pin	P501
	Thermister	TH501
NECK BOARD		
<u>Resistors</u>		
	1.8k Ohm, <u>+5%</u> , 1/8W carbon	R401
	1.8k Ohm, <u>+5%</u> , 1/8W carbon	R402
	1.8k Ohm, <u>+5%</u> , 1/8W carbon	R403
	150 Ohm, <u>+5%</u> , 1/8W carbon	R404
	220 Ohm, <u>+5%</u> , 1/8W carbon	R405
	150 Ohm, <u>+5%</u> , 1/8W carbon	R406
	390 Ohm, <u>+5%</u> , 1/4W carbon	R407
	390 Ohm, <u>+5%</u> , 1/4W carbon	R408
	4.7k Ohm, <u>+5%</u> , 1/8W carbon	R409
	4.7k Ohm, <u>+5%</u> , 1/8W carbon	R410
	4.7k Ohm, <u>+5%</u> , 1/8W carbon	R411
	12k Ohm, <u>+5%</u> , 2.0W metal oxide	R412
	12k Ohm, <u>+5%</u> , 2.0W metal oxide	R413
	12k Ohm, <u>+5%</u> , 2.0W metal oxide	R414
	2.7k Ohm, <u>+10%</u> , 1/2W comp	R415
	2.7k Ohm, <u>+10%</u> , 1/2W comp	R416
	2.7k Ohm, <u>+10%</u> , 1/2W comp	R417
	470k Ohm, <u>+10%</u> , 1/2W comp	R418
	330k Ohm, <u>+10%</u> , 1/2W comp	R419
	1.0 Ohm, <u>+10%</u> , 2W metal oxide	R422
	270 Ohm, <u>+5%</u> , 1/4W carbon	R423
	500 Ohm varistor R drive	VR401
	500 Ohm varistor B drive	VR402
	5k Ohm varistor R cutoff	VR403
	5k Ohm varistor G cutoff	VR404
	5k Ohm varistor B cutoff	VR405
	1M Ohm varistor screen	VR406

<u>Part No.</u>	<u>Description</u>	<u>Ref. Des</u>
<b>Capacitors</b>		
	1000 pf, 50V, 10% ceramic	C401
	1000 pf, 50V, 10% ceramic	C402
	1000 pf, 50V, 10% ceramic	C403
	1500 pf, 2 kV <u>+10%</u> ceramic	C404
	100 pf, 12 kV, <u>+10%</u> ceramic	C405
	.01 uf, 500V, <u>+10%</u> ceramic	C406
	1500 pf, 2 kV, <u>+10%</u> ceramic	C407
	68 pf, 50V, <u>+10%</u> ceramic	C408
	68 pf, 50V, <u>+10%</u> ceramic	C409
	68 pf, 50V, <u>+10%</u> ceramic	C410
<b>Semiconductors</b>		
482-0155	Transistor, 2SC1514 (R output)	TR401
482-0155	Transistor, 2SC1514 (G output)	TR402
482-0155	Transistor, 2SC1514 (B output)	TR403
481-0223	Diode, IS2367 (B output)	X404
481-0223	Diode, IS2367 (protector)	X405
481-0223	Diode, IS2367 (protector)	X406
<b>Miscellaneous</b>		
	Socket, 5 pin	J401
	Socket, 3 pin	J402
	Plug, 5 pin	P401
	Plug, 3 pin	P402
<b>800-3253 High Voltage Assembly (T7010)</b>		
	6.8 Ohm, <u>+10%</u> 15W WW resistor	R701
220-0223	Focus control	VR702
	Diode (SI HV) )	X701
	Diode (SI HV) ) Part of T701	X702
	Diode (SI HV) )	X703

<u>Part No.</u>	<u>Description</u>	<u>Ref. Des.</u>
Final Assembly Parts		
200-0020	19VJTP22 pix tube	
800-3254	Assy purity shld/degaussing	
800-3255	Lateral/purity assembly	
200-0066	Yoke, deflection	
213-0021	CRT socket	
800-3253	HV unit (T701)	
	Plug, line cord (K4625, K4675, K4677)	
	Plug, line cord (K4626, K4676)	
180-0021	Degaussing coil (L701)	
	INTERFACE FACE BOARD (P317)	
Resistors		
	91 Ohm <u>+5%</u> , 1/2W carbon	R201
	22k Ohm, <u>+10%</u> , 1/4W carbon	R202
	1k Ohm, <u>+5%</u> , 1/2W carbon	R203
	100 Ohm, <u>+5%</u> , 1/4W carbon	R204
	100k Ohm, <u>+5%</u> , 1/4W carbon	R205
	330 Ohm, <u>+10%</u> , 1/2W carbon	R206
	2.2k Ohm, <u>+5%</u> , 1/4W carbon	R207
	2.2k Ohm, <u>+5%</u> , 1/4W carbon	R208
	100k Ohm, <u>+5%</u> , 1/4W carbon	R209
	100 Ohm, <u>+5%</u> , 1/4W carbon	R210
	220 Ohm, <u>+5%</u> , 1/4W carbon	R211
	220 Ohm, <u>+5%</u> , 1/4W carbon	R212
	220 Ohm <u>+5%</u> , 1/4W carbon	R213
	150 Ohm, <u>+5%</u> , 1/4W carbon	R214
	150 Ohm, <u>+5%</u> , 1/4W carbon	R215
	150 Ohm, <u>+5%</u> , 1/4W carbon	R216
	100 Ohm, <u>+5%</u> , 1/4W carbon	R217
	1k Ohm, <u>+5%</u> , 1/2W carbon	R218
	1k Ohm, <u>+5%</u> , 1/2W carbon	R219
	680 Ohm, <u>+5%</u> , 1/2W carbon	R220

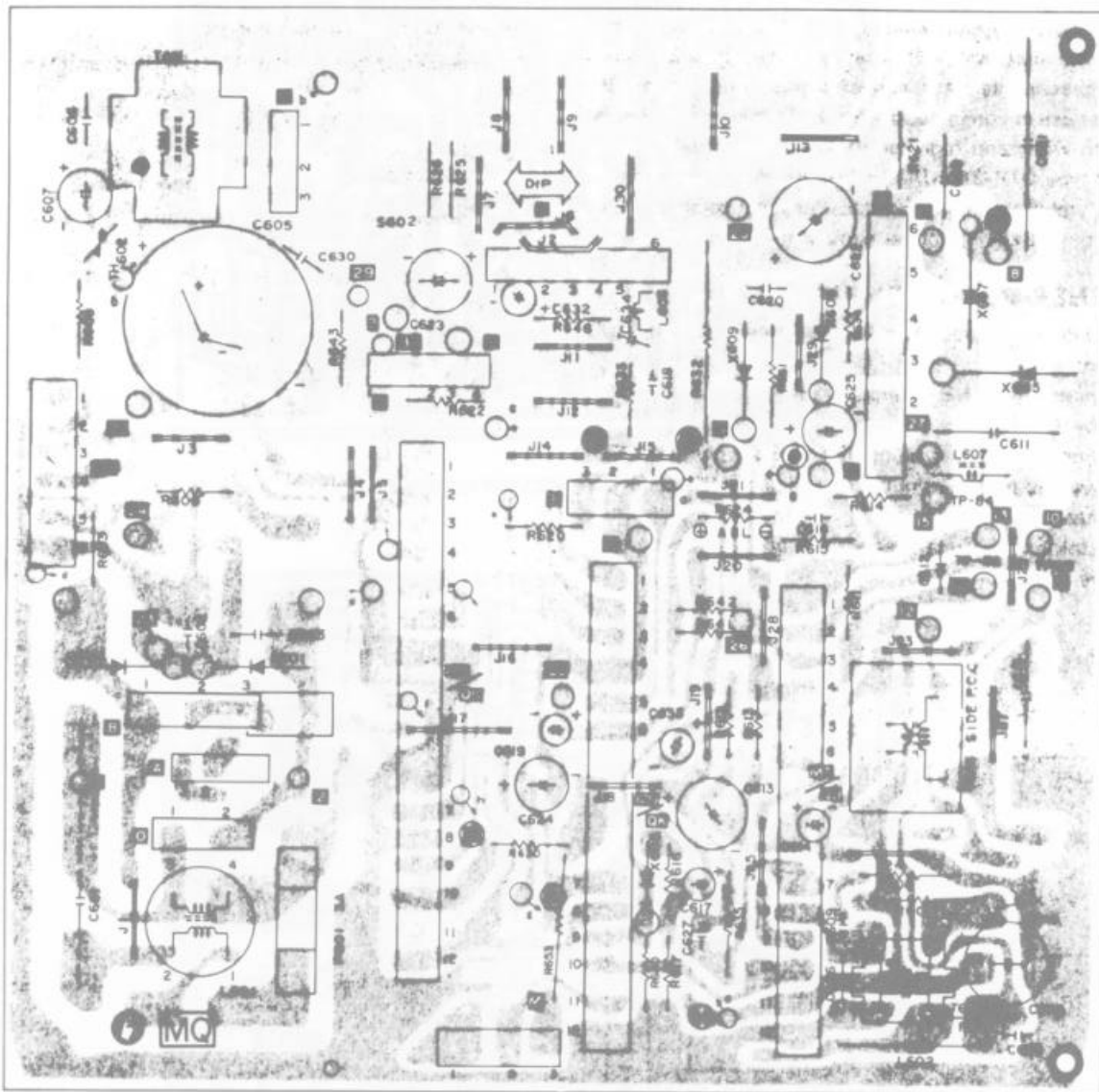
<u>Part No.</u>	<u>Description</u>	<u>Ref. Des.</u>
Resistors (cont)	270 Ohm, <u>+5%</u> , 1/2W carbon	R221
	270 Ohm, <u>+5%</u> , 1/2W carbon	R222
	100k Ohm, <u>+5%</u> , 1/4W carbon	R223
	1k Ohm, <u>+5%</u> , 1/2W carbon	R224
	8.2k Ohm, <u>+5%</u> , 1/4W carbon	R225
	8.2k Ohm, <u>+5%</u> , 1/4W carbon	R226
	8.2k Ohm, <u>+5%</u> , 1/4W carbon	R227
	390 Ohm, <u>+5%</u> , 1/2W carbon	R228
	1.5k Ohm black level control	VR201
	10k Ohm horizontal centering	VR202
Capacitors		
	1000 uf, 16V electrolytic	C201
	470 uf, 16V lytic	C202
	.022 uf, 10% 100V	C203
	680 pf, 10%, Z5F	C204
	.01 uf, 10%, 100V	C205
Semiconductors		
482-0030	Transistor (NPN) 2N3904	TR201
482-0030	Transistor (NPN) 2N3904	TR202
482-0030	Transistor (NPN) 2N3904	TR203
482-0289	Transistor (PNP) MPS-A70	TR204
482-0289	Transistor (PNP) MPS-A70	TR205
482-0289	Transistor (PNP) MPS-A70	TR206
482-0030	Transistor (NPN) 2N3904	TR207
482-0030	Transistor (NPN) 2N3904	TR208
482-0030	Transistor (NPN) 2N3904	TR209
482-0030	Transistor (NPN) 2N3904	TR210
481-0224	Diode silicon FDH-444	X201
481-0224	Diode silicon FDH-444	X202
481-0224	Diode silicon FDH-444	X203
481-0224	Diode silicon FDH-444	X204
481-0014	Diode, zener 3.9V, 5%, 0.5W IN5228B	ZD201



<u>Part No.</u>	<u>Description</u>	<u>Ref. Des.</u>
Miscellaneous		
	Socket, 6 pin	J201
	Socket, 6 pin	J202
	Plug, 4 pin	P203
	Plug, 3 pin	P204
	Plug, 6 pin	P205
Resistors		
	91 Ohm <u>+5%</u> , 1/2W carbon	R201
	22k Ohm, <u>+10%</u> , 1/4W carbon	R202
	1k Ohm, <u>+5%</u> , 1/2W carbon	R203
	100 Ohm, <u>+5%</u> , 1/4W carbon	R204
	100k Ohm, <u>+5%</u> , 1/4W carbon	R205
	330 Ohm, <u>+10%</u> , 1/2W carbon	R206
	2.2k Ohm, <u>+5%</u> , 1/4W carbon	R207
	2.2k Ohm, <u>+5%</u> , 1/4W carbon	R208
	100k Ohm, <u>+5%</u> , 1/4W carbon	R209
	100 Ohm, <u>+5%</u> , 1/4W carbon	R210
	200 Ohm, <u>+5%</u> , 1/4W carbon	R211
	200 Ohm, <u>+5%</u> , 1/4W carbon	R212
	200 Ohm <u>+5%</u> , 1/4W carbon	R213
	200 Ohm, <u>+5%</u> , 1/4W carbon	R214
	200 Ohm, <u>+5%</u> , 1/4W carbon	R215
	200 Ohm, <u>+5%</u> , 1/4W carbon	R216
	100 Ohm, <u>+5%</u> , 1/4W carbon	R217
	1k Ohm, <u>+5%</u> , 1/2W carbon	R218
	1k Ohm, <u>+5%</u> , 1/2W carbon	R219
	1k Ohm, 5%, 1/2W carbon	R220
	200 Ohm, 5%, 1/2W carbon	R221
	200 Ohm, 5%, 1/2W carbon	R222
	100k Ohm, 5%, 1/4W carbon	R223
	680k Ohm, 5%, 1/2W carbon	R224
	8.2k Ohm, 5%, 1/4W carbon	R225

<u>Part No.</u>	<u>Description</u>	<u>Ref. Des.</u>
<b>Resistors (cont)</b>		
	8.2k Ohm, 5%, 1/4W carbon	R226
	8.2k Ohm, 5%, 1/4W carbon	R227
	390 Ohm, 5%, 1/2W carbon	R228
	1.5k Ohm black level control	VR201
	10k Ohm horizontal centering	VR202
<b>Capacitors</b>		
	1000 uf, 16V electrolytic	C201
	470 uf, 16V lytic	C202
	.022 uf, 10% 100V	C203
	680 pf, 10%, Z5F	C204
	.01 uf, 10%, 100V	C205
<b>Semiconductors</b>		
482-0030	Transistor (NPN) 2N3904	TR201
482-0030	Transistor (NPN) 2N3904	TR202
482-0030	Transistor (NPN) 2N3904	TR203
482-0289	Transistor (PNP) MPS-A70	TR204
482-0289	Transistor (PNP) MPS-A70	TR205
482-0289	Transistor (PNP) MPS-A70	TR206
482-0030	Transistor (NPN) 2N3904	TR207
482-0030	Transistor (NPN) 2N3904	TR208
482-0030	Transistor (NPN) 2N3904	TR209
482-0030	Transistor (NPN) 2N3904	TR210
481-0224	Diode silicon FDH-444	X201
481-0224	Diode silicon FDH-444	X202
481-0224	Diode silicon FDH-444	X203
481-0224	Diode silicon FDH-444	X204
481-0014	Diode, zener 3.9V, 5%, 0.5W IN5228B	ZD201
<b>Miscellaneous</b>		
	Socket, 6 pin	J201
	Socket, 6 pin	J202
	Plug, 4 pin	P203
	Plug, 3 pin	P204
	Plug, 6 pin	P205

P.C. BOARD LAYOUT



P.C. BOARD LAYOUT

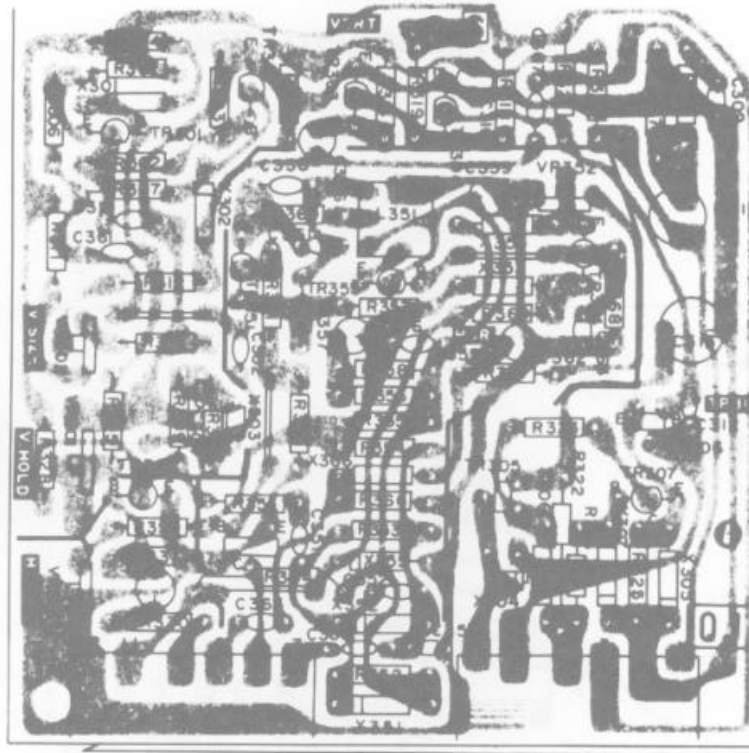
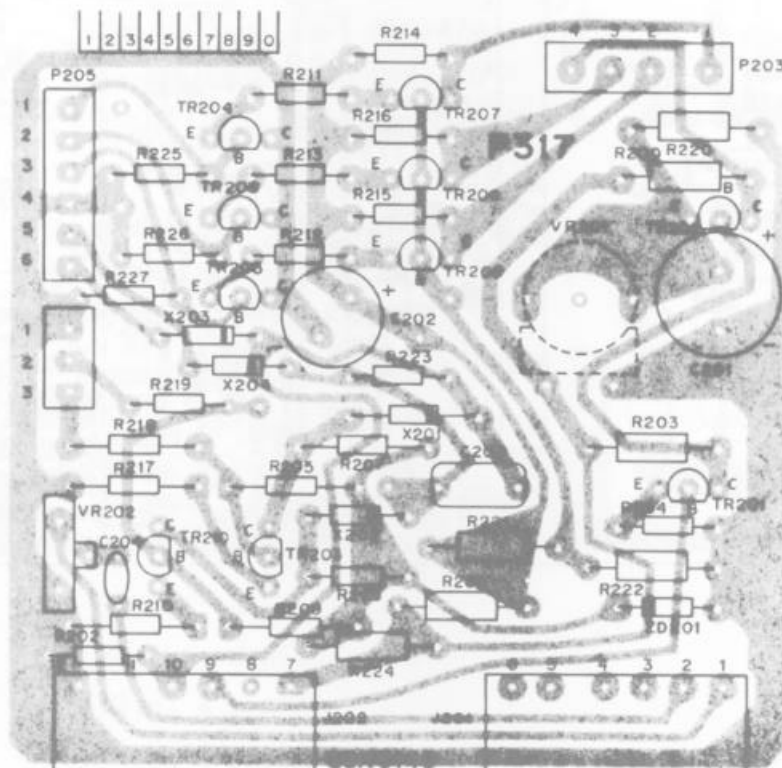


FIGURE 15. HORIZ/VERT P.C. BOARD



P.C. BOARD LAYOUT

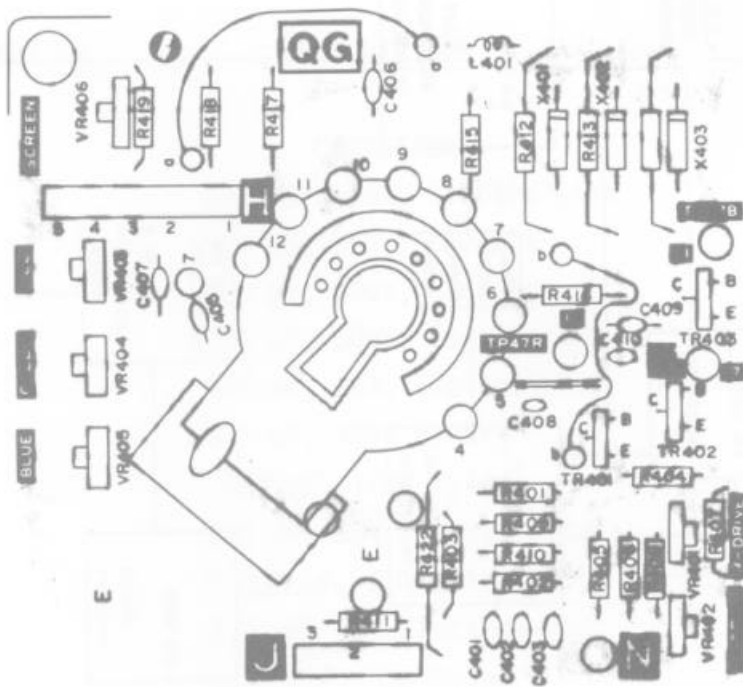
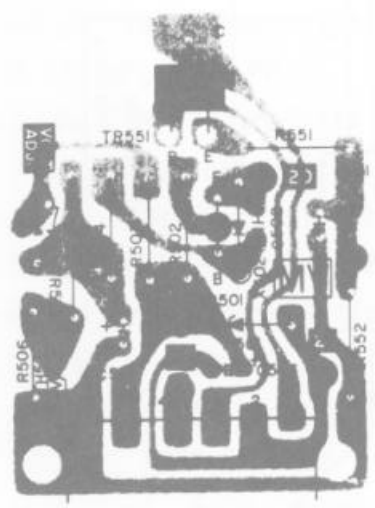
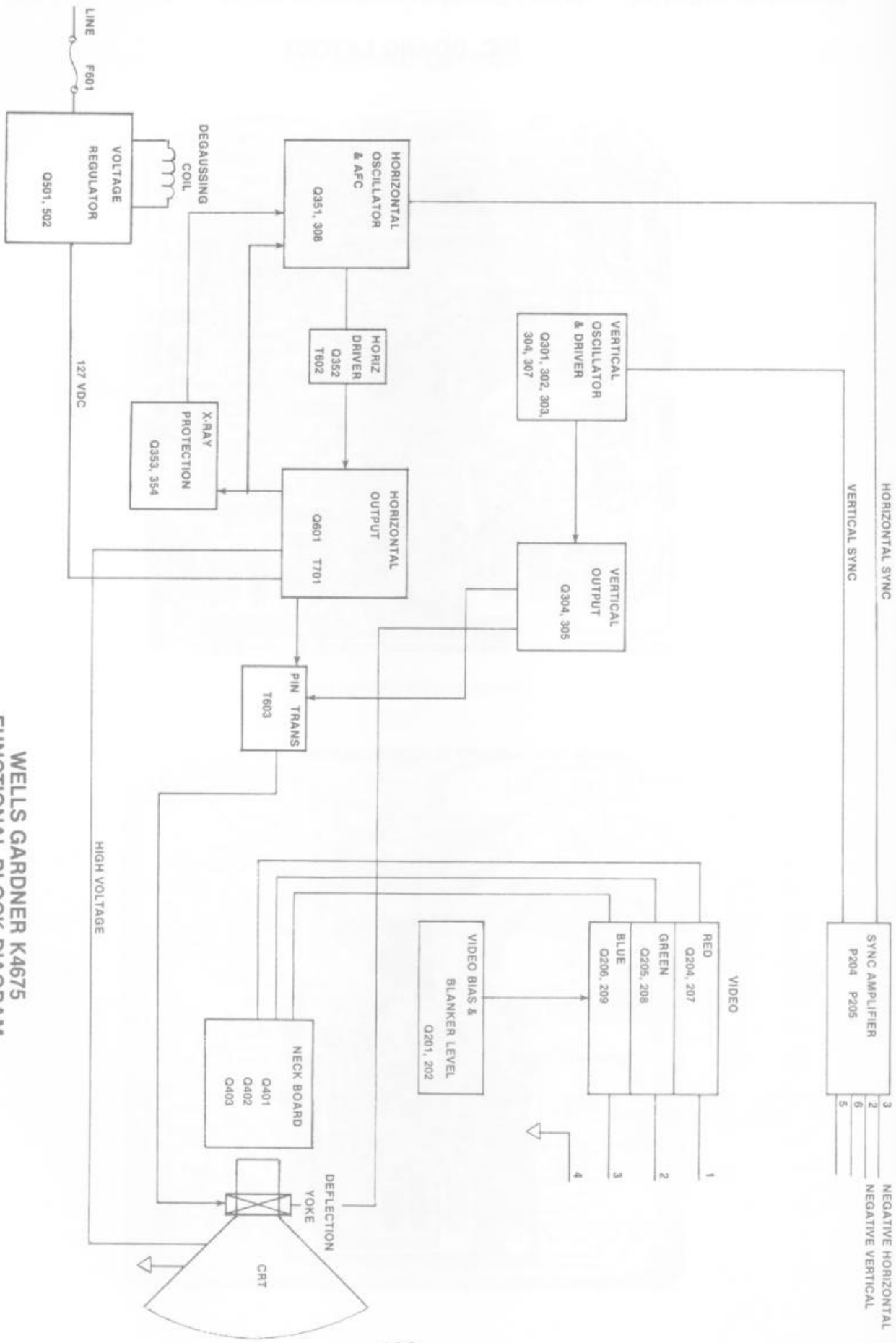


FIGURE 13. NECK P.C. BOARD





WELLS GARDNER K4675  
 FUNCTIONAL BLOCK DIAGRAM  
 200-0022

## MAIN BOARD

<u>ITEM NO.</u>	<u>PART NO.</u>	<u>DESCRIPTION</u>	<u>REF. DESG.</u>
CAPACITORS			
1		1000 $\mu$ F, 16V, Electrolytic	C201
2		330 pF, 500V, Ceramic	C202
3		220 pF, 500V, Ceramic	C203
4		220 pF, 500V, Ceramic	C204
5		470 $\mu$ F, 16V, Electrolytic	C205
6		0.1 $\mu$ F, 125V Mylar	C206
7		.022 $\mu$ F, 100V Mylar	C207
8		330 $\mu$ F, 50V Electrolytic	C301
9		0.033 $\mu$ F, 50V Mylar	C302
10		3.3 $\mu$ F, 50V Electrolytic	C303
11		0.068 pF, 50V Mylar	C304
12		2.2 $\mu$ F, 16V Tantal	C306
13		0.033 $\mu$ F, 50V Mylar	C307
14		3.3 $\mu$ F, 50V Electrolytic	C308
15		0.068 $\mu$ F, 100V PP	C309
16		10 $\mu$ F, 100V Electrolytic	C310
17		10 $\mu$ F, 160V Electrolytic	C311
18		1000 pF, 500V Ceramic	C312
19		47 $\mu$ F, 160V Electrolytic	C313
20		0.033 $\mu$ F, 200V PP	C314
21		1 $\mu$ F, 50V Electrolytic	C315
22		1 $\mu$ F, 50V Electrolytic	C351
23		47 $\mu$ F, 25V Electrolytic	C352
24		0.0082 pF, 50V Mylar-PP	C353
25		47 $\mu$ F, 25V Electrolytic	C354
26		0.0068 pF, 50V Mylar	C355
27		0.01 $\mu$ F, 500V Ceramic	C356
28		100 pF, 500V Ceramic	C359
29		0.0033 pF, 500V Ceramic	C360

MAIN BOARD

<u>ITEM NO.</u>	<u>PART NO.</u>	<u>DESCRIPTION</u>	<u>REF. DESG.</u>
CAPACITORS			
30		0.01 uF, 500V Ceramic	C361
31		0.01 uF, 50V Ceramic	C362
32		8700 pF, 1.5 KV PP	C363
33		0.33 uF, 200V PP	C365
34	150-0074	22 uF, 25V Electrolytic	C366
35		6 uF, 500V Ceramic	C367
36		0.01 uF, 50V Ceramic	C368
37		0.1 uF, 100V PP	C372
38		470 uF, 500V Ceramic	C380
39		0.1 uF, 125V Mylar	C501
40		1500 pF, 500V Ceramic	C502
41		2200 pF, 125V Ceramic	C503
42		2200 pF, 125V Ceramic	C504
43		560 uF, 200V Electrolytic	C505
44		22 uF, 160V Electrolytic	C506
45		47 uF, 160V Electrolytic	C507
46		1000 uF, 25V Electrolytic	C701
47		10 uF, 100V Electrolytic	C702
48		1000 pF, 500V Ceramic	C703



## MAIN BOARD

<u>ITEM NO.</u>	<u>PART NO.</u>	<u>DESCRIPTION</u>	<u>REF. DESG.</u>
RESISTORS			
1		1K Ohm, 5%, 1/4W Carbon	R201
2		30 Ohm, 5%, 1/4W Carbon	R202
3		100 Ohm, 5%, 1/4W Carbon	R203
4		100 Ohm, 5%, 1/2W Carbon	R204
5		270 Ohm, 5%, 1/2W Carbon	R205
6		390 Ohm, 5%, 1/4W Carbon	R206
7		200 Ohm, 5%, 1/4W Carbon	R207
8		390 Ohm, 5%, 1/4W Carbon	R208
9		200 Ohm, 5%, 1/4W Carbon	R209
10		390 Ohm, 5%, 1/4W Carbon	R210
11		200 Ohm, 5%, 1/4W Carbon	R211
12		1K Ohm, 5%, 1/4W Carbon	R214
13		100K Ohm, 5%, 1/4W Carbon	R215
14		1K Ohm, 5%, 1/4W Carbon	R216
15		100 Ohm, 5%, 1/4W Carbon	R217
16		1K Ohm, 5%, 1/4W Carbon	R218
17		100K Ohm, 5%, 1/4W Carbon	R219
18		1K Ohm, 5%, 1/4W Carbon	R220
19		100 Ohm, 5%, 1/4W Carbon	R221
20		3.3 Ohm, 5%, 1/4W Carbon	R222
21		10 Ohm, 5%, 1/4W Carbon	R224
22		10 Ohm, 5%, 1/4W Carbon	R225
23		10 Ohm, 5%, 1/4W Carbon	R226
24		47K Ohm, 5%, 1/4W Carbon	R227
25		1K Ohm, 5%, 1/4W Carbon	R228
26		270 Ohm, 5%, 1/2W Carbon	R229
27		8.2K Ohm, 5%, 1/2W Comp.	R230
28		8.2K Ohm, 5%, 1/2W Comp.	R231
29		8.2K Ohm, 5%, 1/2W Comp.	R232

## MAIN BOARD

<u>ITEM NO.</u>	<u>PART NO.</u>	<u>DESCRIPTION</u>	<u>REF. DESG.</u>
RESISTORS			
30		180 Ohm, 5%, 1/4W Carbon	R233
31		82 Ohm, 5%, 1/4W Carbon	R234
32		82 Ohm, 5%, 1/4W Carbon	R235
33		82 Ohm, 5%, 1/4W Carbon	R236
34		270 Ohm, 5%, 1/4W Carbon	R301
35		8.2K Ohm, 5%, 1/4W Carbon	R302
36		8.2K Ohm, 5%, 1/4W Carbon	R303
37		2.2K Ohm, 5%, 1/4W Carbon	R304
38		6.8K Ohm, 5%, 1/4W Carbon	R305
39		7.5K Ohm, 5%, 1/4W Carbon	R306
40		5.6K Ohm, 5%, 1/4W Carbon	R307
41		22K Ohm, 5%, 1/4W Carbon	R309
42		39K Ohm, 5%, 1/4W Carbon	R310
43		3.3K Ohm, 5%, 1/4W Carbon	R311
44		4.7K Ohm, 5%, 1/4W Carbon	R312
45		1K Ohm, 5%, 5W Carbon	R313
46		220 Ohm, 5%, 1/4W Carbon	R314
47		10 Ohm, 5%, 1/4W Carbon	R315
48		3.3K Ohm, 5%, 1/4W Carbon	R316
49		12 Ohm, 5%, 1/2W Carbon	R317
50		390 Ohm, 5%, 1/4W Carbon	R318
51		1K Ohm, 5%, 1/4W Carbon	R319
52		33K Ohm, 5%, 1/4W Carbon	R320
53		270K Ohm, 5%, 1/2W Carbon	R321
54		10K Ohm, 5%, 1/4W Carbon	R322
55		10K Ohm, 5%, 1/4W Carbon	R351
56		3.9K Ohm, 5%, 1/4W Carbon	R352
57		68K Ohm, 5%, 1/4W Carbon	R353
58		3.3K Ohm, 5%, 1/4W Carbon	R354

## MAIN BOARD

<u>ITEM NO.</u>	<u>PART NO.</u>	<u>DESCRIPTION</u>	<u>REF. DESG.</u>
RESISTORS			
59		6.8K Ohm, 5%, 3W Metal Oxide	R355
60		56K Ohm, 5%, 1/2W Carbon	R358
61		470 Ohm, 5%, 1/4W Carbon	R360
62		10K Ohm, 5%, 1/4W Carbon	R361
63		1.8K Ohm, 5%, 1W Metal Oxide	R362
64		3.9K Ohm, 5%, 7W Metal Oxide	R363
65		22 Ohm, 5%, 1/4W Carbon	R364
66		33K Ohm, 5%, 1/4W Carbon	R365
67		10K Ohm, 5%, 1/4W Carbon	R367
68		330K Ohm, 5%, 1/2W Comp.	R368
79		680K Ohm, 5%, 1/2W Comp.	R369
70		33K Ohm, 5%, 1/4W Carbon	R370
71		1K Ohm, 5%, 1W Metal Oxide	R371
72		12K Ohm, 5%, 1W Metal Oxide	R372
73		6.8K Ohm, 5%, 1/2W Carbon	R375
74		270 Ohm, 5%, 2W Metal Oxide	R376
75		150 Ohm, 5%, 1/4W Carbon	R377
76		10K Ohm, 5%, 1/4W Carbon	R378
77		10K Ohm, 5%, 1/4W Carbon	R379
78		8.2K Ohm, 5%, 1/4W Carbon	R380
79		2.2K Ohm, 5%, 1W Metal Oxide	R381
80		150 Ohm, 5%, 1W Metal Oxide	R383
81		10K Ohm, 5%, 1/4W Carbon	R502
82		150 Ohm, 5%, 15W Metal Oxide	R503
83		47 Ohm, 5%, 1W Metal Oxide	R504
84		2.2K Ohm, 5%, 1/4W Carbon	R505
85		15 Ohm, 5%, 2W Metal Oxide	R506
86		330K Ohm, 5%, 1/2W Comp.	R507
87		3.3 Ohm, 5%, 10W WW	R601

MAIN BOARD

<u>ITEM NO.</u>	<u>PART NO.</u>	<u>DESCRIPTION</u>	<u>REF. DESG.</u>
-----------------	-----------------	--------------------	-------------------

RESISTORS

88		2.2 Ohm, 5%, 2W Metal Oxide	R701
89		2.2 Ohm, 5%, 1/2W Carbon	R702
90		2K Ohm-B Semi-Fixed	VR201
91		5K Ohm-B Semi-Fixed	VR301
92		500 Ohm-B Semi-Fixed	VR303
93		2K Ohm-B Semi-Fixed	VR351
94		2K Ohm-B Semi-Fixed	VR352

## MAIN BOARD

<u>ITEM NO.</u>	<u>PART NO.</u>	<u>DESCRIPTION</u>	<u>REF. DESG.</u>
SEMICONDUCTORS			
1	481-0175	Diode, IS2076-27	D203
2	481-0175	Diode, IS2076-27	D204
3	481-0175	Diode, IS2076-27	D205
4	481-0175	Diode, IS2076-27	D206
5	481-0175	Diode, IS2076-27	D207
6	481-0175	Diode, IS2076-27	D208
7	481-0175	Diode, IS2076-27	D209
8	481-0219	Diode, ISS81	D301
9	481-0175	Diode, IS2076-27	D302
10	481-0175	Diode, IS2076-27	D303
11	481-0244	Diode, RH-IV	D304
12	481-0244	Diode, RH-IV	D305
13	481-0175	Diode, IS2076-27	D306
14	481-0245	Diode, RM-1AV	D501
15	481-0245	Diode, RM-1AV	D502
16	481-0245	Diode, RM-1AV	D503
17	481-0245	Diode, RM-1AV	D504
18	481-0245	Diode, RM-1AV	D505
19	481-0245	Diode, RM-1AV	D506
20	481-0217	Diode, RU-2V	D701
21	481-0244	Diode, RH-1V	D702
22	482-0160	Transistor (NPN) 2SC1815GR	Q201
23	482-0160	Transistor (NPN) 2SC1815GR	Q202
24	482-0301	Transistor (PNP) 2SA562-Y-TM	Q203
25	482-0301	Transistor (PNP) 2SA562-Y-TM	Q204
26	482-0301	Transistor (PNP) 2SA562-Y-TM	Q205
27	482-0160	Transistor (NPN) 2SC1815GR	Q206
28	482-0160	Transistor (NPN) 2SC1815GR	Q207
29	482-0160	Transistor (NPN) 2SC1815GR	Q208

MAIN BOARD

<u>ITEM NO.</u>	<u>PART NO.</u>	<u>DESCRIPTION</u>	<u>REF. DESG.</u>
SEMICONDUCTORS			
30	482-0302	Transistor (NPN) 2SC1851GR	Q209
31	482-0302	Transistor (NPN) 2SC1851GR	Q210
32	482-0302	Transistor (NPN) 2SC1851GR	Q301
33	482-0161	Transistor (NPN) 2SC2073LBGL2	Q302
34	482-0161	Transistor (NPN) 2SC2073LBGL2	Q303
35	482-0303	Transistor (NPN) 2SC2482BK	Q351
36	482-0202	Transistor (NPN) 2SD898B	Q352
37	313-0132	IC HA11423	IC301
38	313-0129	IC STR381	IC501

## MAIN BOARD

<u>ITEM NO.</u>	<u>PART NO.</u>	<u>DESCRIPTION</u>	<u>REF. DESG.</u>
TRANSFORMERS & COILS			
1	181-0035	Coil, (RF Choke)	L351
2	181-0036	Coil, Horiz., Size	L352
3	181-0037	Coil, Adg.	L701
4	560-0121	Transformer, Hor. Drive	T351
5	560-0122	HV-Unit M-11	T352

## MAIN BOARD

<u>ITEM NO.</u>	<u>PART NO.</u>	<u>DESCRIPTION</u>	<u>REF. DESG.</u>
		MISCELLANEOUS	
1		Fuse, 4 Amp. 125V	F501
2		Recap W Wire 3P-M-BG	J402
3		Plug, PWB 3P-J	P201
4		Plug, PWB 6P-Q	P202
5		Plug, PWB 4P-B	P401
6		Plug, PWB 2P-B	P501
7		Plug, PWB 4P-C	P601
8	478-0012	Thermistor	TH501



MAIN BOARD

ITEM NO.      PART NO.      DESCRIPTION      REF. DESG.

FINAL ASSEMBLY

1	200-0093	19VLT22 Pix Tube	1
2	834-5030	Lateral/Purity Assembly	2
3	200-0092	Yoke Deflection	3
4	834-5031	CRT Socket	4
5	181-0038	Automatic Degaussing Coil Unit	5
6			6
7			7
8			8
9			9
10			10
11			11
12			12
13			13
14			14
15			15
16			16
17			17
18			18
19			19
20			20
21			21
22			22
23			23
24			24
25			25
26			26
27			27
28			28
29			29
30			30

## NECK BOARD

<u>ITEM NO.</u>	<u>PART NO.</u>	<u>DESCRIPTION</u>	<u>REF. DESG.</u>
RESISTORS			
1		220 Ohm, 5%, 1/4W Carbon	R401
2		390 Ohm, 5%, 1/4W Carbon	R402
3		820 Ohm, 5%, 1/4W Carbon	R403
4		220 Ohm, 5%, 1/4W Carbon	R404
5		390 Ohm, 5%, 1/4W Carbon	R405
6		820 Ohm, 5%, 1/4W Carbon	R406
7		470 Ohm, 5%, 1/4W Carbon	R407
8		270 Ohm, 5%, 1/4W Carbon	R408
9		820 Ohm, 5%, 1/4W Carbon	R409
10		15K Ohm, 5%, 2W M.O. Forming	R410
11		15K Ohm, 5%, 2W M.O. Forming	R411
12		15K Ohm, 5%, 2W M.O. Forming	R412
13		2.7K Ohm, 5%, 1/2W Comp.	R413
14		2.7 Ohm, 5%, 1/2W Comp.	R414
15		2.7K Ohm, 5%, 1/2W Comp.	R415
16		2.2 Ohm, 5%, 2W Metal Oxide	R416
17		2.7K Ohm, 5%, 1/4W Carbon	R419
18		2.7K Ohm, 5%, 1/4W Carbon	R420
19		2.7K Ohm, 5%, 1/4W Carbon	R421
20		500 Ohm, -B Semi-Fixed	VR401
21		500 Ohm, -B Semi-Fixed	VR402
22		5K Ohm, -B Semi-Fixed	VR403
23		5K Ohm, -B Semi-Fixed	VR404
24		5K Ohm, -B Semi-Fixed	VR405

NECK BOARD

<u>ITEM NO.</u>	<u>PART NO.</u>	<u>DESCRIPTION</u>	<u>REF. DESG.</u>
CAPACITORS			
1		1200 pF, 500V Ceramic	C401
2		1000 pF, 500V Ceramic	C402
3		1000 pF, 500V Ceramic	C403
4		1500 pF, 1.5 KV Ceramic	C404
5		0.01 uF, 500V Ceramic	C405

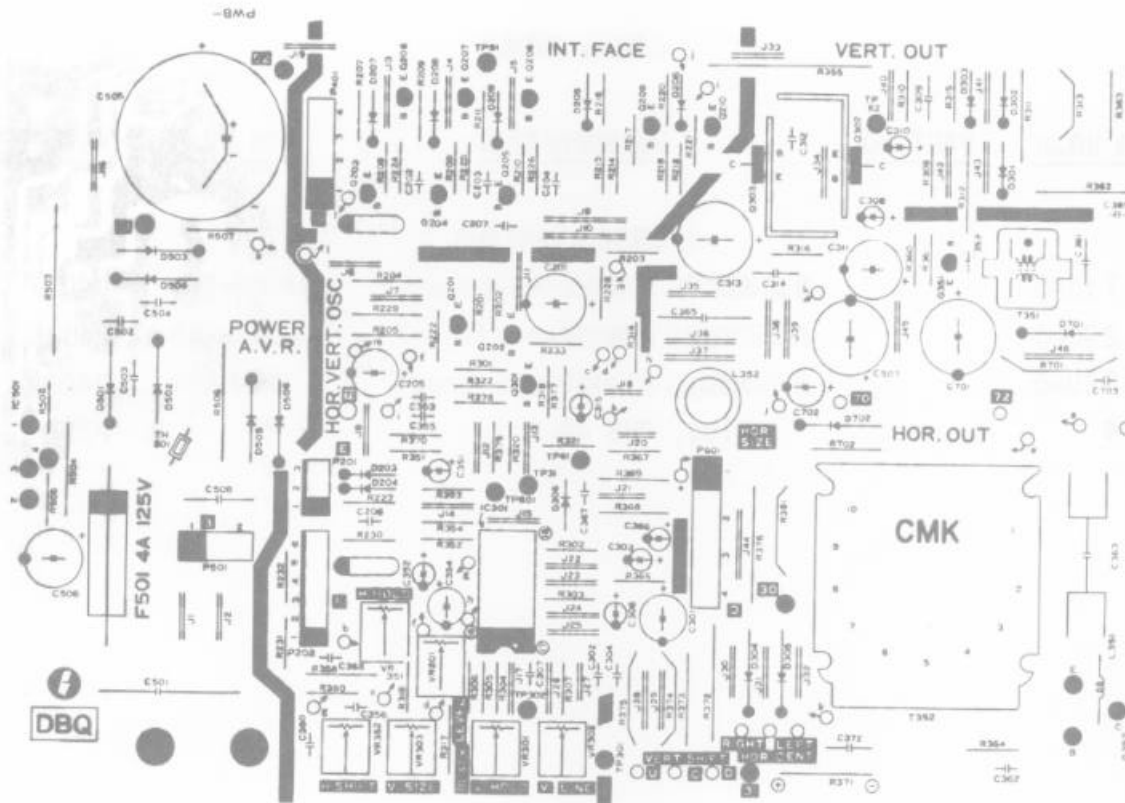
NECK BOARD

<u>ITEM NO.</u>	<u>PART NO.</u>	<u>DESCRIPTION</u>	<u>REF. DESG.</u>
SEMICONDUCTORS			
1	482-0304	Transistor (NPN) 2SC2068LB	Q401
2	482-0304	Transistor (NPN) 2SC2068LB	Q402
3	482-0304	Transistor (NPN) 2SC2068LB	Q403
4		100 Ohm, 1/4W Carbon	Q404
5		100 Ohm, 1/4W Carbon	Q405
6		100 Ohm, 1/4W Carbon	Q406
7		100 Ohm, 1/4W Carbon	Q407
8		100 Ohm, 1/4W Carbon	Q408
9		100 Ohm, 1/4W Carbon	Q409
10		100 Ohm, 1/4W Carbon	Q410
11		100 Ohm, 1/4W Carbon	Q411
12		100 Ohm, 1/4W Carbon	Q412
13		100 Ohm, 1/4W Carbon	Q413
14		100 Ohm, 1/4W Carbon	Q414
15		100 Ohm, 1/4W Carbon	Q415
16		100 Ohm, 1/4W Carbon	Q416
17		100 Ohm, 1/4W Carbon	Q417
18		100 Ohm, 1/4W Carbon	Q418
19		100 Ohm, 1/4W Carbon	Q419
20		100 Ohm, 1/4W Carbon	Q420
21		100 Ohm, 1/4W Carbon	Q421
22		100 Ohm, 1/4W Carbon	Q422
23		100 Ohm, 1/4W Carbon	Q423
24		100 Ohm, 1/4W Carbon	Q424
25		100 Ohm, 1/4W Carbon	Q425
26		100 Ohm, 1/4W Carbon	Q426
27		100 Ohm, 1/4W Carbon	Q427
28		100 Ohm, 1/4W Carbon	Q428
29		100 Ohm, 1/4W Carbon	Q429
30		100 Ohm, 1/4W Carbon	Q430

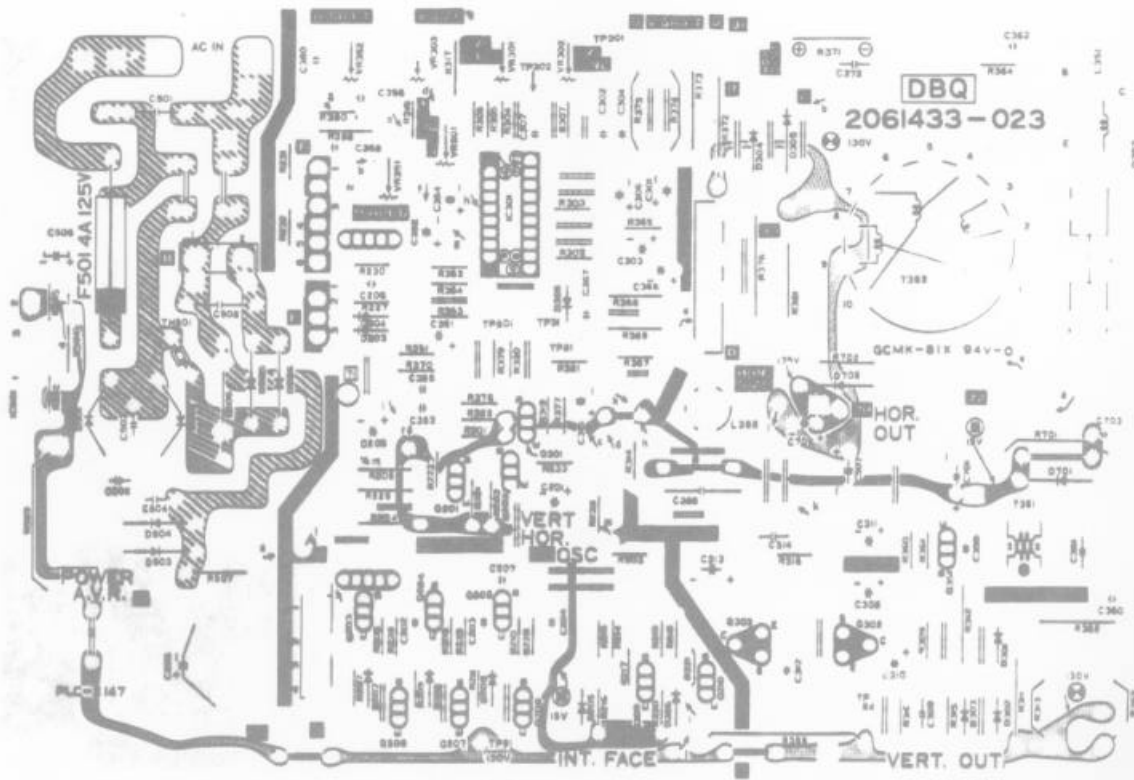
NECK BOARD

<u>ITEM NO.</u>	<u>PART NO.</u>	<u>DESCRIPTION</u>	<u>REF. DESG.</u>
MISCELLANEOUS			
1		RECEP W Wire 4P-E	J401
2		Plug, PWB 3P-A	P402
3		Plug, Pin 1P-D	P403
4		Plug, PWB 4P-E	P701

P.C. BOARD LAYOUT



TOP VIEW



BOTTOM VIEW

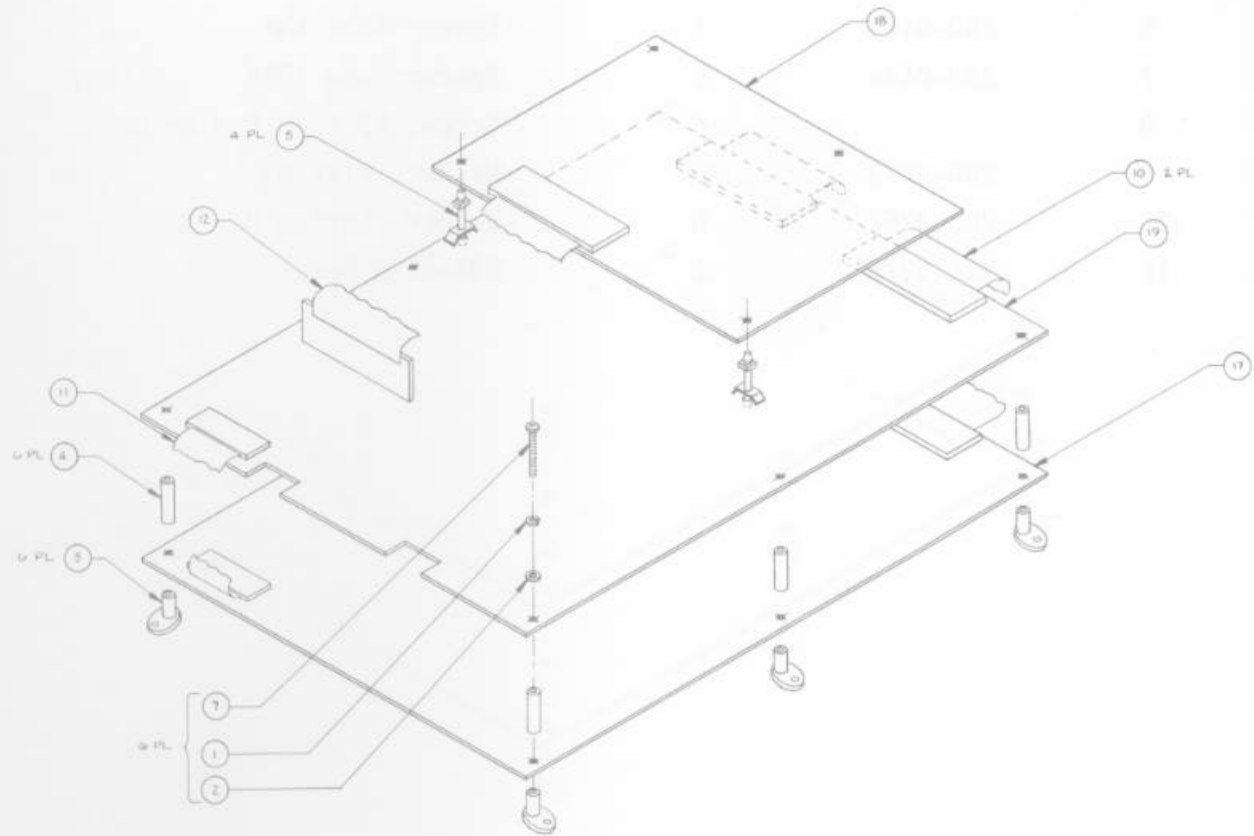


## IC BOARD ASSEMBLY

DRAWING NUMBER 834-5197

<u>ITEM NO.</u>	<u>PART NO.</u>	<u>QTY REQD.</u>	<u>DESCRIPTION</u>
1	280-0257-00	6	Spring Washer, M3
2	280-0273-00	6	Flat Washer, M3
3	280-0435-00	6	Spacer, 6MM
4	280-0436-00	6	Spacer, 15MM
5	280-5013-00	4	Locking Support
6			
7	285-0002-30		Screw, M3-0.5 PN HD PHIL
8			
9			
10	600-5003-00	2	Fem 50P Flat Cable Assy
11	600-5006-00	1	Fem 10P Flat Cable Assy
12	600-5037-00	1	Fem 40P Flat Cable Assy
13			
14	601-0740	6	S-Lock
15			
16			
17	834-5167-00	1	Video Board Assy
18	834-5168-00	1	Sound Board Assy
19	834-5166-00	1	Control Board Assy

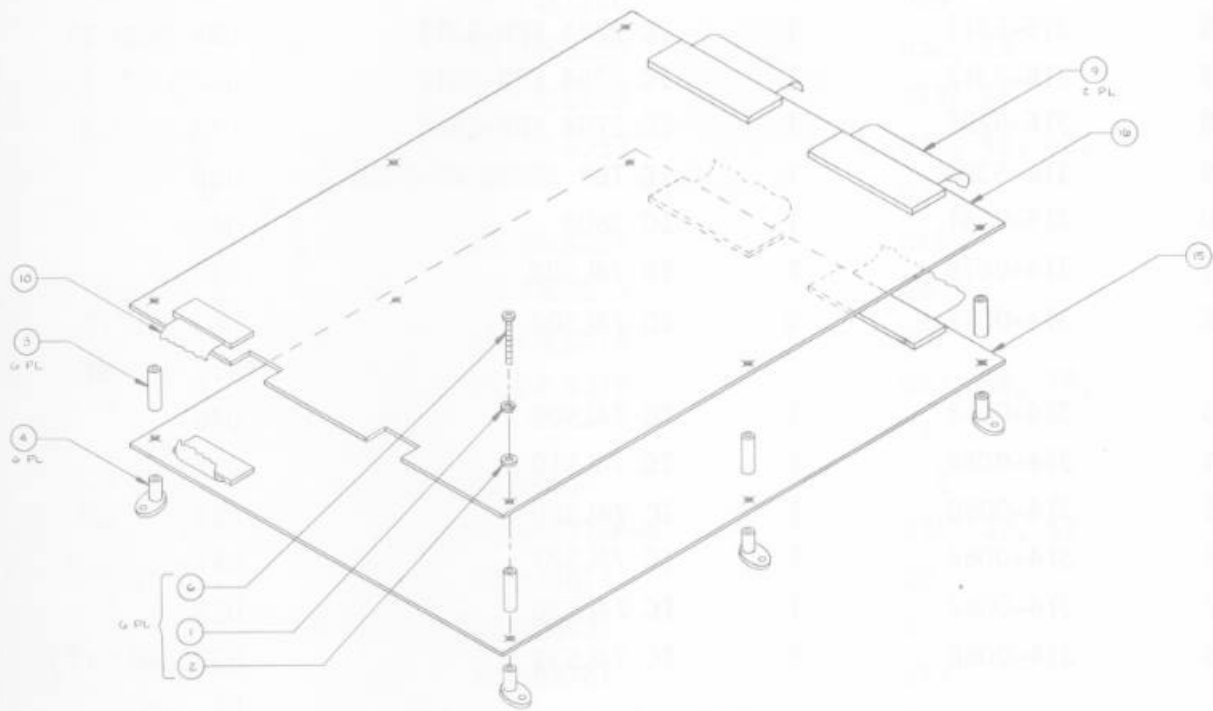




## IC BOARD ASSEMBLY

DRAWING NUMBER 834-5198

<u>ITEM NO.</u>	<u>PART NO.</u>	<u>QTY REQD</u>	<u>DESCRIPTION</u>
1	834-5212	1	Control Board II Assembly
2	834-5167	1	Video Board Assembly
3	600-5003	2	50P Flat Cable & Fem. Assembly
4	600-5006	1	10P Cable & Fem Assembly
5	601-0740	6	S-Lock
6	280-0435	6	Spacer Tube 6MM
7	280-0436	6	Spacer Tube 15MM
8		6	Screw, M3 X 30 P.H.PHIL
9	280-0273	6	Washer, Flat M3
10	280-0257	6	Washer, Spring M3
11	421-5278	1	834-5198 Decal



## CONTROL BOARD ASSEMBLY

DRAWING NUMBER 834-5166

<u>ITEM NO.</u>	<u>PART NO.</u>	<u>QTY</u> <u>REQ'D</u>	<u>DESCRIPTION</u>	<u>REF NO.</u>
1	171-5205	1	PC Board	
2	530-5004	1	Heat Sink 6.2 <sup>0</sup> C/W	
3	421-5256	1	Sticker 834-5207	
4	316-5309	1	IC 2764 EPR-5309	U35 (ROM 1)
5	316-5310	1	IC 2764 EPR-5310	U34 (ROM 2)
6	316-5311	1	IC 2764 EPR-5311	U33 (ROM 3)
7	316-5312	1	IC 2764 EPR-5312	U32 (ROM 4)
8	316-5295	1	IC 2764 EPR-5295	U76 (ROM 5)
9	316-5308	1	IC TBP 28S42 PR-5308	U68
10	315-0041	1	IC Z80A	U4
11	314-0078	1	IC 74LS02	U42
12	314-0019	6	IC 74LS04	U6, 20, 29, 31, 43, 51
13	314-0058	1	IC 74LS08	U46
14	314-0059	1	IC 74LS10	U17
15	314-0060	1	IC 74LS20	U24
16	314-0066	1	IC 74LS27	U71
17	314-0067	1	IC 74LS30	U25
18	314-0068	5	IC 74LS32	U38, 40, 47, 54, 80
19	314-0062	4	IC 74LS74	U18, 19, 41, 44
20	314-0070	1	IC 74LS86	U50
21	314-0040	1	IC 74LS125	U10
22	314-0056	1	IC 74LS132	U21
23	314-0104	2	IC 74LS138	U55, 56
24	314-0087	1	IC 74LS139	U39
25	314-0076	7	IC 74LS157	U60, 61, 69, 70, 77, 78, 79
26	314-0127	2	IC 74LS164	U22, 23
27	314-0072	2	IC 74LS174	U66, 67

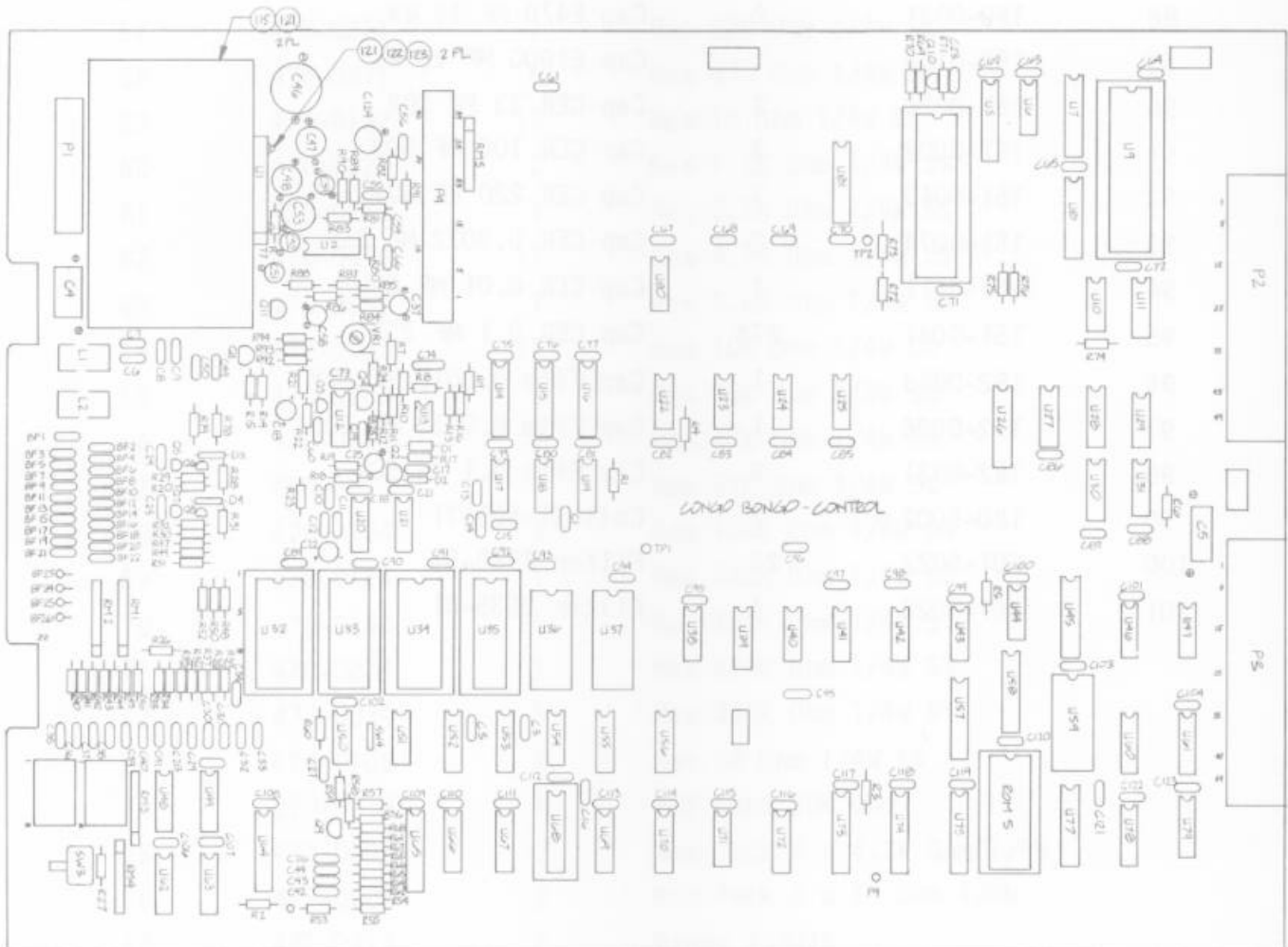
<u>ITEM NO.</u>	<u>PART NO.</u>	<u>QTY</u> <u>REQ'D</u>	<u>DESCRIPTION</u>	<u>REF NO.</u>
28	314-0073	6	IC 74LS175	U14, 15, 16, 27, 28, 30
29	314-0083	1	IC 74LS240	U64
30	314-0055	4	IC 74LS244	U5, 7, 26, 65
31	314-0099	1	IC 74LS245	U45
32	314-0143	2	IC 74LS259	U52, 53
33	314-0122	2	IC 74LS299	U73, 75
34	314-0272	4	IC 74LS353	U48, 49, 62, 63
35	314-0102	1	IC 74LS367	U11
36	314-0131	1	IC 74LS373	U8
37	314-0093	1	IC 74LS374	U81
38	314-0119	4	IC 74LS377	U57, 58, 74, 77
39	313-0022	1	IC NE556	U12
40	315-	3	IC HM6116P-4	U36, 37, 59
41	315-0146	1	IC MB3614	U2
42	313-	1	IC MB3731	U1
43	313-0110	1	IC MB3761	U13
44	315-5019	1	IC Controller Chip G501564	U9
45	213-0008	1	SKT 20 Pin	
46	213-0012	5	SKT 28 Pin	
47	213-0005	2	SKT 40 Pin	
48	213-0001	3	SKT 24 Pin	
49	212-0098	1	Conn M 10 Pin	
50	212-0133	2	Conn M 50 Pin	
51	212-5001	1	Conn M 40 Pin	
52	211-0168	4	Conn Pin Test PT	
53	470-01R0	2	Res 1 Ohm 1/4W 5%	
54	470-0220	2	Res 22 Ohm 1/4W 5%	

<u>ITEM NO.</u>	<u>PART NO.</u>	<u>QTY</u> <u>REQ'D</u>	<u>DESCRIPTION</u>	<u>REF NO.</u>
55	470-0680	3	Res 68 Ohm 1/4W 5%	
56	470-0101	18	Res 100 Ohm 1/4W 5%	
57	470-0221	7	Res 220 Ohm 1/4W 5%	
58	470-0471	6	Res 470 Ohm 1/4W 5%	
59	470-0102	15	Res 1K Ohm 1/4W 5%	
60	470-0122	2	Res 1.2K Ohm 1/4W 5%	
61	470-0222	1	Res 2.2K Ohm 1/4W 5%	
62	470-0472	11	Res 4.7K Ohm 1/4W 5%	
63	470-0562	1	Res 5.6K Ohm 1/4W 5%	
64	470-0103	11	Res 10K Ohm 1/4W 5%	
65	470-0203	3	Res 20K Ohm 1/4W 5%	
66	470-0473	2	Res 47K Ohm 1/4W 5%	
67	470-0513	1	Res 51K Ohm 1/4W 5%	
68	470-0104	3	Res 100K Ohm 1/4W 5%	
69	470-0124	1	Res 120K Ohm 1/4W 5%	
70	470-0154	1	Res 150K Ohm 1/4W 5%	
71	470-0224	1	Res 220K Ohm 1/4W 5%	
72	470-0334	1	Res 330K Ohm 1/4W 5%	
73	470-0105	2	Res 1M Ohm 1/4W 5%	
74	220-0218	1	Vol Cont 20K Ohm	
75	477-0005	3	Res Pack 8 x 4.7K Ohm 1/8W	
76	477-0006	2	Res Pack 8 x 1K Ohm 1/8W	
77	481-0213	2	Diode 1S2075	
78	482-0037	4	XSTR 2SA564	
79	482-0057	2	XSTR 2SC1384	
80	482-0240	5	XSTR 2SC1684	
81	509-0156	1	SW 1 Pos. Dip SPST	
82	510-0049	2	SW 8 Pos. Dip SPST	
83	510-0053	1	SW Push Button	
84	150-0160	1	Cap E470 MF 16 WV	
85	150-0023	8	Cap E10 MF 16 WV	

## CONTROL BOARD ASSEMBLY

DRAWING NUMBER 834-5166

<u>ITEM NO.</u>	<u>PART NO.</u>	<u>QTY</u> <u>REQ'D</u>	<u>DESCRIPTION</u>	<u>REF NO.</u>
86	150-0059	2	Cap E100 MF 16 WV	
87	150-0159	1	Cap E220 MF 16 WV	
88	150-0031	2	Cap E470 MF 16 WV	
89	150-0168	1	Cap E1000 MF 16 WV	
90	151-0020	2	Cap CER 33 PF 50V	
91	151-0002	3	Cap CER 100 PF 50V	
92	151-0043	7	Cap CER 220 PF 50V	
93	151-0074	2	Cap CER 0.0022 MF 25V	
94	151-0011	4	Cap CER 0.01 MF 50V	
95	151-0041	87*	Cap CER 0.1 MF 25V	
96	152-0063	1	Cap Film 0.0015 MF 50V	
97	152-0026	1	Cap Film 0.0039 MF 100V	
98	152-0031	2	Cap Film 0.1 MF 50V	
99	180-5002	2	Coil ST-501571	
100	601-5022	22	Filter 253D-01	
101	601-5023	4	Filter 2535-01	



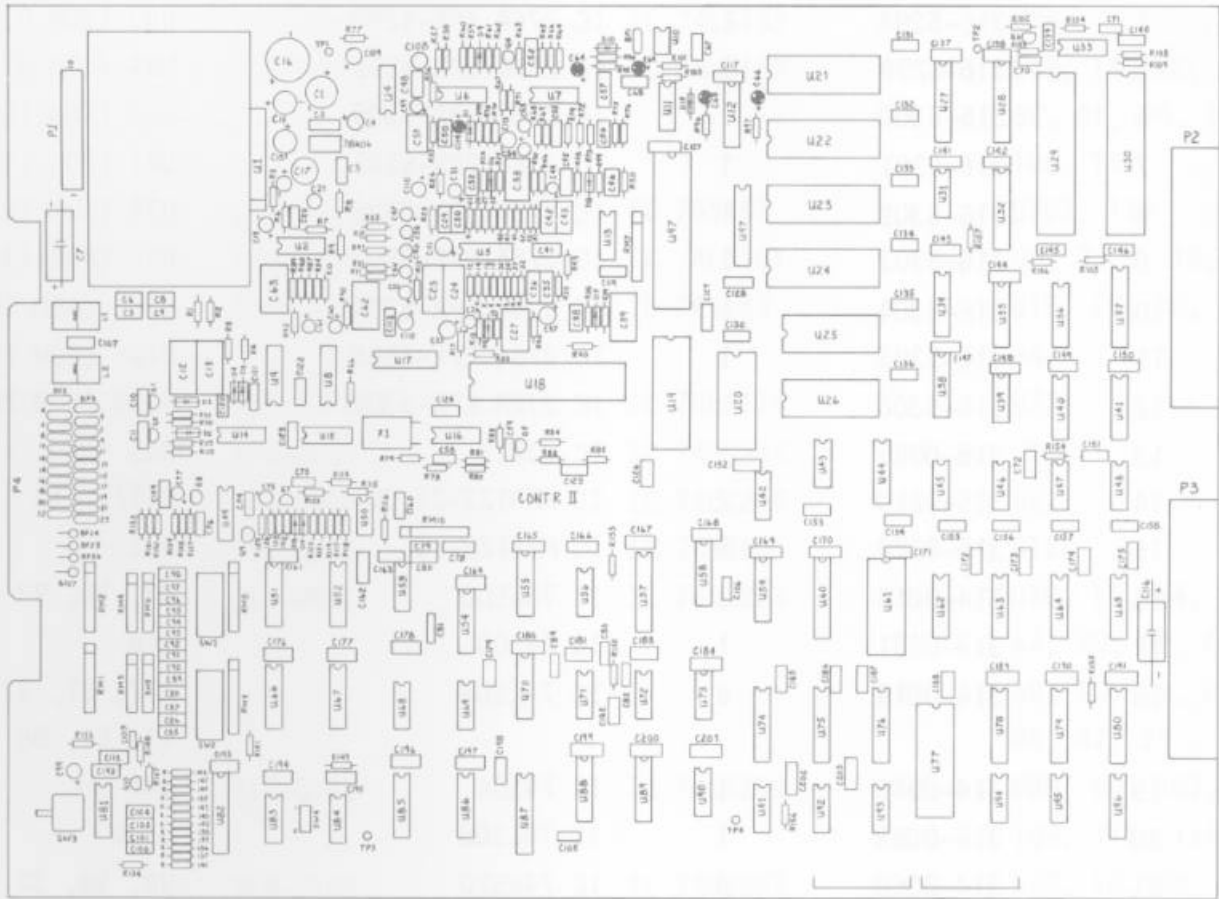


<u>ITEM NO.</u>	<u>PART NO.</u>	<u>QTY REQD.</u>	<u>DESCRIPTION</u>	<u>REF DES.</u>
2	530-5004	1	Heat Sink 6.2°C/W	
3	421-5262	1	Decal 834-5212	
4	316-5334	1	IC 2764 EPR-5334	U21
5	316-5335	1	IC 2764 EPR-5335	U22
6	316-5336	1	IC 2764 EPR-5336	U23
7	316-5337	1	IC 2764 EPR-5337	U24
8	316-5295	1	IC 2764 EPR-5295	U77
9	316-5307	1	IC 2764 EPR-5307	U19
10	316-5315	1	IC TBP28L22 PR-5315	U87
11	315-0041	2	IC Z80A	U18, 29.
12	315-0152	1	IC 8225A-5	U97
13	314-0078	2	IC 74LS02	U45, 68.
14	314-0019	5	IC 74LS04	U33, 47, 53, 83, 95.
15	314-0015	1	IC 7404	U16
16	314-0058	1	IC 74LS08	U93
17	314-0059	1	IC 74LS10	U56
18	314-0146	1	IC 7416	U13
19	314-0060	1	IC 74LS20	U94
20	314-0066	1	IC 74LS27	U69
21	314-0067	1	IC 74LS30	U93
22	314-0068	4	IC 74LS32	U39, 42, 43, 90.
23	314-0062	4	IC 74LS74	U46, 48, 71, 92.
24	314-0070	1	IC 74LS86	U84
25	314-0040	1	IC 74LS125	U31
26	314-0056	1	IC 74LS132	U81
27	314-0104	3	IC 74LS138	U17, 34, 44.
28	314-0087	1	IC 74LS139	U38
29	314-0076	7	IC 74LS157	U62, 63, 64, 66, 88, 89, 96.
30	314-0127	2	IC 74LS164	U91, 92.
31	314-0072	2	IC 74LS174	U85, 86.
32	314-0073	6	IC 74LS175	U35, 36, 40, 54, 55, 70.
33	314-0083	1	IC 74LS240	U57

<u>ITEM NO.</u>	<u>PART NO.</u>	<u>QTY REQD.</u>	<u>DESCRIPTION</u>	<u>REF DES.</u>
34	314-0055	4	IC 74LS244	U27, 28, 37, 82.
35	314-0099	1	IC 74LS245	U60
36	314-0143	2	IC 74LS259	U58, 59
37	314-0122	2	IC 74LS299	U78, 80
38	314-0272	4	IC 74LS353	U51, 52, 66, 67
39	314-0102	1	IC 74LS367	U41
40	314-0131	1	IC 74LS373	U32
41	314-0093	1	IC 74LS374	U98
42	314-0119	4	IC 74LS377	U74, 75, 76, 79
43	314-0075	2	IC 74LS393	U14, 15
44	313-0022	1	IC NE556	U49
45	313-0139	1	IC MB3731	U50
46	313-0110	1	IC MB3761	U50
47	313-0140	1	IC AN78N06	U3
48	315-0217	4	IC HM6116P-4	U20, 25, 26, 61
49	315-0146	4	IC MB3614MG	U2, 5, 6, 7
50	315-0034	1	IC CD4001	U11
51	315-0205	2	IC 76489A	U8, 9
52	315-0221	1	IC MC14538B	U12
53	315-0035	1	IC MM5837	U10
54	315-5019	1	IC Cont. Chip G501564	U30
55	315-5021	1	IC Cont. Chip ST-501534	U4
56	213-0008	1	Socket 20-pin	
57	213-0012	6	Socket 28-pin	
58	213-0005	1	Socket 40-pin	
59	212-0098	1	Conn. Male 10-pin	
60	212-0133	2	Conn. Male 50-pin	
61	211-0168	4	Conn. Pin Test Point	
62	470-01R0	2	Resistor, 1 ohm $\frac{1}{4}$ W 5%	
63	470-0100	2	Resistor, 10 ohm $\frac{1}{4}$ W 5%	
64	470-0220	3	Resistor, 22 ohm $\frac{1}{4}$ W 5%	
65	470-0680	3	Resistor, 68 ohm $\frac{1}{4}$ W 5%	
66	470-0221	9	Resistor, 220 ohm $\frac{1}{4}$ W 5%	
67	470-0331	1	Resistor, 330 ohm $\frac{1}{4}$ W 5%	
68	470-0471	7	Resistor, 470 ohm $\frac{1}{4}$ W 5%	

<u>ITEM NO.</u>	<u>PART NO.</u>	<u>QTY REQD.</u>	<u>DESCRIPTION</u>
69	470-0102	19	Resistor, 1K ohm $\frac{1}{4}$ W 5%
70	470-0122	5	Resistor, 1.2K $\frac{1}{4}$ W 5%
71	470-0202	2	Resistor, 2K $\frac{1}{4}$ W 5%
72	470-0222	1	Resistor, 2.2K $\frac{1}{4}$ W 5%
73	470-0332	1	Resistor, 3.3K $\frac{1}{4}$ W 5%
74	470-0472	11	Resistor, 4.7K $\frac{1}{4}$ W 5%
75	470-0562	1	Resistor, 5.6K $\frac{1}{4}$ W 5%
76	470-0103	16	Resistor, 10K $\frac{1}{4}$ W 5%
77	470-0153	2	Resistor, 15K $\frac{1}{4}$ W 5%
78	470-0203	11	Resistor, 20K $\frac{1}{4}$ W 5%
79	470-0223	10	Resistor, 22K $\frac{1}{4}$ W 5%
80	470-0473	12	Resistor, 47K $\frac{1}{4}$ W 5%
81	470-0513	9	Resistor, 51K $\frac{1}{4}$ W 5%
82	470-0104	8	Resistor, 100K $\frac{1}{4}$ W 5%
83	470-0124	1	Resistor, 120K $\frac{1}{4}$ W 5%
84	470-0154	2	Resistor, 150K $\frac{1}{4}$ W 5%
85	470-0204	1	Resistor, 200K $\frac{1}{4}$ W 5%
86	470-0224	1	Resistor, 220K $\frac{1}{4}$ W 5%
87	470-0244	1	Resistor, 240K $\frac{1}{4}$ W 5%
88	470-0334	2	Resistor, 330K $\frac{1}{4}$ W 5%
89	470-0394	2	Resistor, 390K $\frac{1}{4}$ W 5%
90	470-0474	2	Resistor, 470K $\frac{1}{4}$ W 5%
91	470-0105	4	Resistor, 1M $\frac{1}{4}$ W 5%
92	470-0225	2	Resistor, 2.2M $\frac{1}{4}$ W 5%
93	150-0233	2	Capacitor, E. 1mf 50V NP
94	150-0009	9	Capacitor, E. 1mf 50V U-type
95	150-0023	6	Capacitor, E. 10mf 16V U-type
96	150-0065	10	Capacitor, E. 47mf 16V U-type
97	150-0059	2	Capacitor, E. 100mf 16V U-type
98	150-0159	1	Capacitor, E. 220mf 16V U-type
99	150-0160	1	Capacitor, E. 1470mf 16V U-type
100	150-0168	1	Capacitor, E. 1000mf 16V
101	151-0020	3	Capacitor, Cer. 33pf 50V
102	151-0002	3	Capacitor, Cer. 100pf 50V
103	151-0043	10	Capacitor, Cer. 220pf 50V
104	151-0042	1	Capacitor, Cer. 470pf 50V

<u>ITEM NO.</u>	<u>PART NO.</u>	<u>QTY REQD.</u>	<u>DESCRIPTION</u>
105	151-0005	1	Capacitor, Cer. 680pf 50V
106	151-0074	3	Capacitor, Cer. 0.0022mf 25V
107	151-0011	94	Capacitor, Cer. 0.01mf 50V
108	151-0056	21	Capacitor, Cer. 0.047mf 50V
109	151-0041	2	Capacitor, Cer. 0.1mf 25V
110	152-0063	1	Capacitor, Film, 0.0015mf 50V
111	152-0051	1	Capacitor, Film, 0.0033mf 50V
112	152-0026	1	Capacitor, Film, 0.0039mf 100V
113	152-0036	2	Capacitor, Film, 0.0068mf 50V
114	152-0033	1	Capacitor, Film, 0.01mf 50V
115	152-0079	2	Capacitor, Film, 0.022mf 50V
116	152-0035	6	Capacitor, Film, 0.033mf 50V
117	152-0038	2	Capacitor, Film, 0.047mf 50V
118	152-0066	3	Capacitor, Film, 0.068mf 25V
119	152-0031	6	Capacitor, Film, 0.1mf 50V
120	153-0070	4	Capacitor, Tant. 1mf 16V
121	153-0058	1	Capacitor, Tant. 2.2mf 16V
122	153-0050	1	Capacitor, Tant. 33mf 16V
123	150-0031	2	Capacitor, E. 470mf 16V T-type
124	220-0218	1	Volume Control, 20K
125	477-0005	3	Resistor Pack, 8 X 4.7K 1/8W w/c
126	477-0039	2	Resistor Pack, 8 X 1K 1/8W w/c
127	477-0047	5	Resistor Pack, 4 X 100 ohm 1/4W
128	481-0213	12	Diode, IS2075
129	482-0037	5	Transistor 2SA564Q
130	482-0057	2	Transistor 2SC1384R
131	482-0240	3	Transistor 2SC1684
132	509-0156	1	DIP Switch 1 Position
133	510-0049	2	DIP Switch 8 Position
134	510-0053	1	Push Button Switch
135	180-5002	2	Coil ST-501571
136	270-5001	23	Filter 253D-01
137	270-5002	4	Filter 2535-01
138		2	Screw, M3 X 10 R.H.PHIL w/F.& S.Washer
139		2	Screw, M3 X 6 P.H.PHIL w/F.Washer



## VIDEO BOARD ASSEMBLY

DRAWING NUMBER 834-5167

<u>ITEM NO.</u>	<u>PART NO.</u>	<u>QTY</u> <u>REQ'D</u>	<u>DESCRIPTION</u>	<u>REF NO.</u>
1	171-5026	1	PC Board	
2	316-5296	1	IC 2764 EPR-5296	U57 (ROM 6)
3	316-5297	1	IC 2764 EPR-5297	U58 (ROM 7)
4	316-5298	1	IC 2764 EPR-5298	U93 (ROM 8)
5	316-5299	1	IC 2764 EPR-5299	U94 (ROM 9)
6	316-5300	1	IC 2764 EPR-5300	U95 (ROM 10)
7	316-5301	1	IC 2764 EPR-5301	U77 (ROM 11)
8	316-5302	1	IC 2764 EPR-5302	U78 (ROM 12)
9	316-5303	1	IC 2764 EPR-5303	U79 (ROM 13)
10	316-5304	1	IC 2764 EPR-5304	U104 (ROM 14)
11	316-5305	1	IC 2764 EPR-5305	U105 (ROM 15)
12	316-5306	1	IC 2764 EPR-5306	U106 (ROM 16)
13	315-0065	1	IC 93419	U53
14	315-0219	2	IC AM9122-25 DC	U117, 118
15	315-0220	1	IC MB8128-10	U12
16	314-0018	3	IC 74LS00	U8, 16, 92
17	314-0281	1	IC 74S00	U48
18	314-0019	6	IC 74LS04	U17, 31, 37, 43, 54, 88
19	314-0046	1	IC 74S04	U45
20	314-0058	1	IC 74LS08	U100
21	314-0060	4	IC 74LS20	U9, 19, 32, 62
22	314-0066	1	IC 74LS27	U61
23	314-0067	1	IC 74LS30	U35
24	314-0068	2	IC 74LS32	U28, 56
25	314-0273	1	IC 74S32	U97
26	314-0140	1	IC 74S74	U115
27	314-0062	4	IC 74LS74	U1, 7, 20, 52
28	314-0070	6	IC 74LS86	U4, 5, 38, 55, 64, 65
29	314-0274	2	IC 74S86	U98, 116

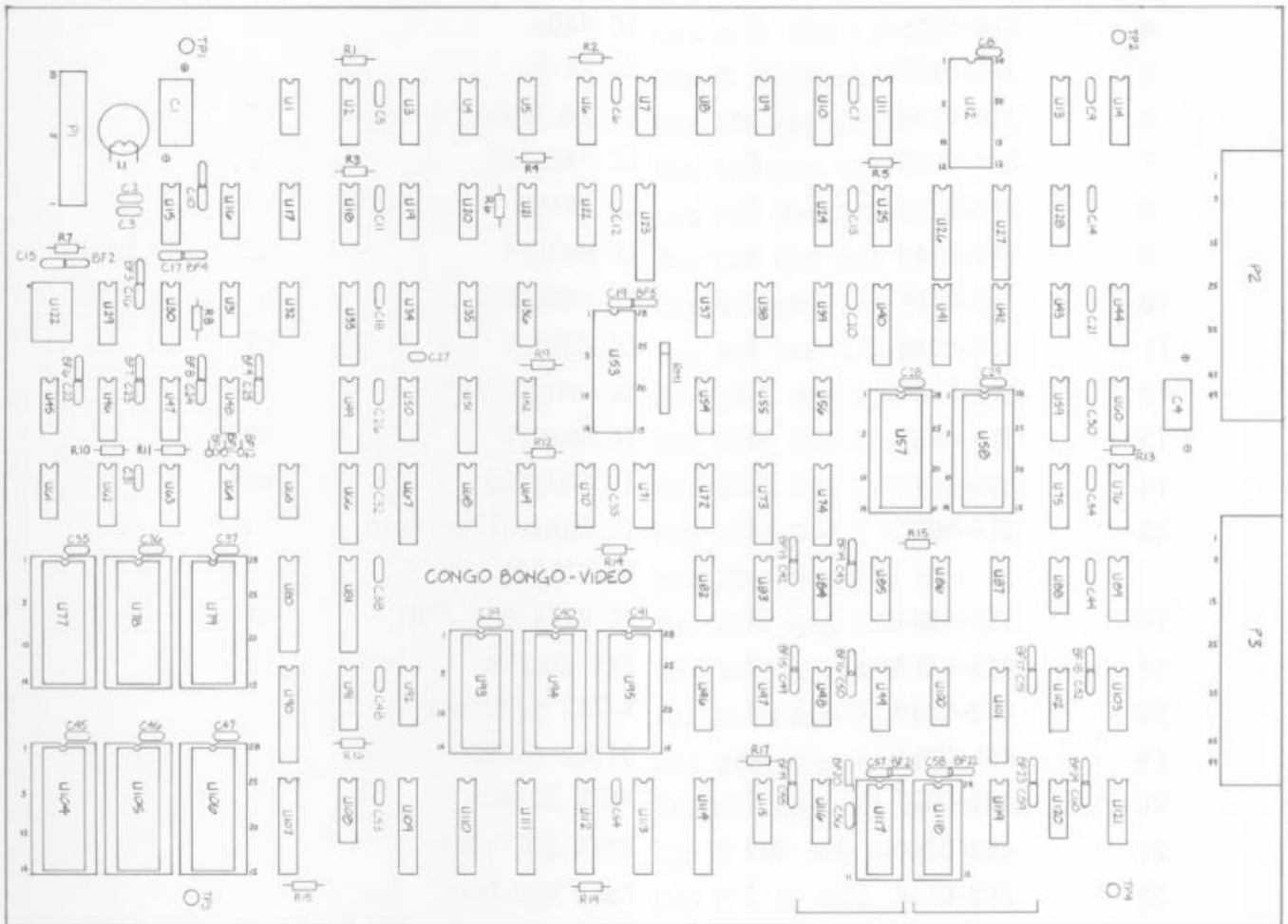
## VIDEO BOARD ASSEMBLY

DRAWING NUMBER 834-5167

<u>ITEM NO.</u>	<u>PART NO.</u>	<u>QTY</u> <u>REQ'D</u>	<u>DESCRIPTION</u>	<u>REF NO.</u>
30	314-0237	1	IC 74LS109	U63
31	314-0151	2	IC 74S112	U46, 47
32	314-0104	1	IC 74LS138	U34
33	314-0087	1	IC 74LS139	U39
34	314-0076	10	IC 74LS157	U13, 14, 22, 36, 82, 91, 96, 103, 108, 121
35	314-0269	2	IC 74S157	U102, 119
36	314-0097	5	IC 74LS161	U2, 3, 6, 18, 21
37	314-0139	5	IC 74S163	U15, 29, 30, 83, 84
38	314-0072	1	IC 74LS174	U72
39	314-0055	1	IC 74LS244	U33
40	314-0099	1	IC 74LS245	U27
41	314-0276	1	IC 74S260	U120
42	314-0101	15	IC 74LS283	U10, 11, 24, 25, 44, 59, 60, 68, 69, 70, 71, 85, 86, 87, 99
43	314-0122	6	IC 74LS299	U80, 90, 107, 109, 112, 114
44	314-0102	3	IC 74LS367	U75, 76, 89
45	314-0103	1	IC 74LS368	U50
46	314-0275	4	IC 74LS373	U41, 110, 111, 113
47	314-0275	1	IC 74S373	U101
48	314-0093	8	IC 74LS374	U23, 26, 42, 51, 66, 67, 74, 81
49	314-0119	3	IC 74LS377	U40, 49, 73
50	315-5020	1	IC Controller Chip G501533	U122

<u>ITEM NO.</u>	<u>PART NO.</u>	<u>QTY</u> <u>REQ'D</u>	<u>DESCRIPTION</u>	<u>REF NO.</u>
51				
52	213-0011	2	SKT 22 Pin	
53	213-0012	11	SKT 28 Pin	
54	212-0098	1	Conn M 10 Pin	
55	212-0133	2	Conn M 50 Pin	
56	211-0168	4	Conn Pin Test PT	
57	470-0102	19	Res 1K Ohm 1/4W 5%	
58	477-0039	1	Res Pack 8 x 1K Ohm 1/8W W/C	
59	150-0031	2	Cap E 470 MF 16V	
60	151-0043	1	Cap CER 220 PF 50V	
61	151-0074	1	Cap CER 0.0022 MF 25V	
62	151-0041	56*	Cap CER 0.1 MF 25V	
63	180-5002	1	Coil ST-501571	
64	601-5022	21	Filter 253D-01	
65	601-5023	3	Filter 253S-01	





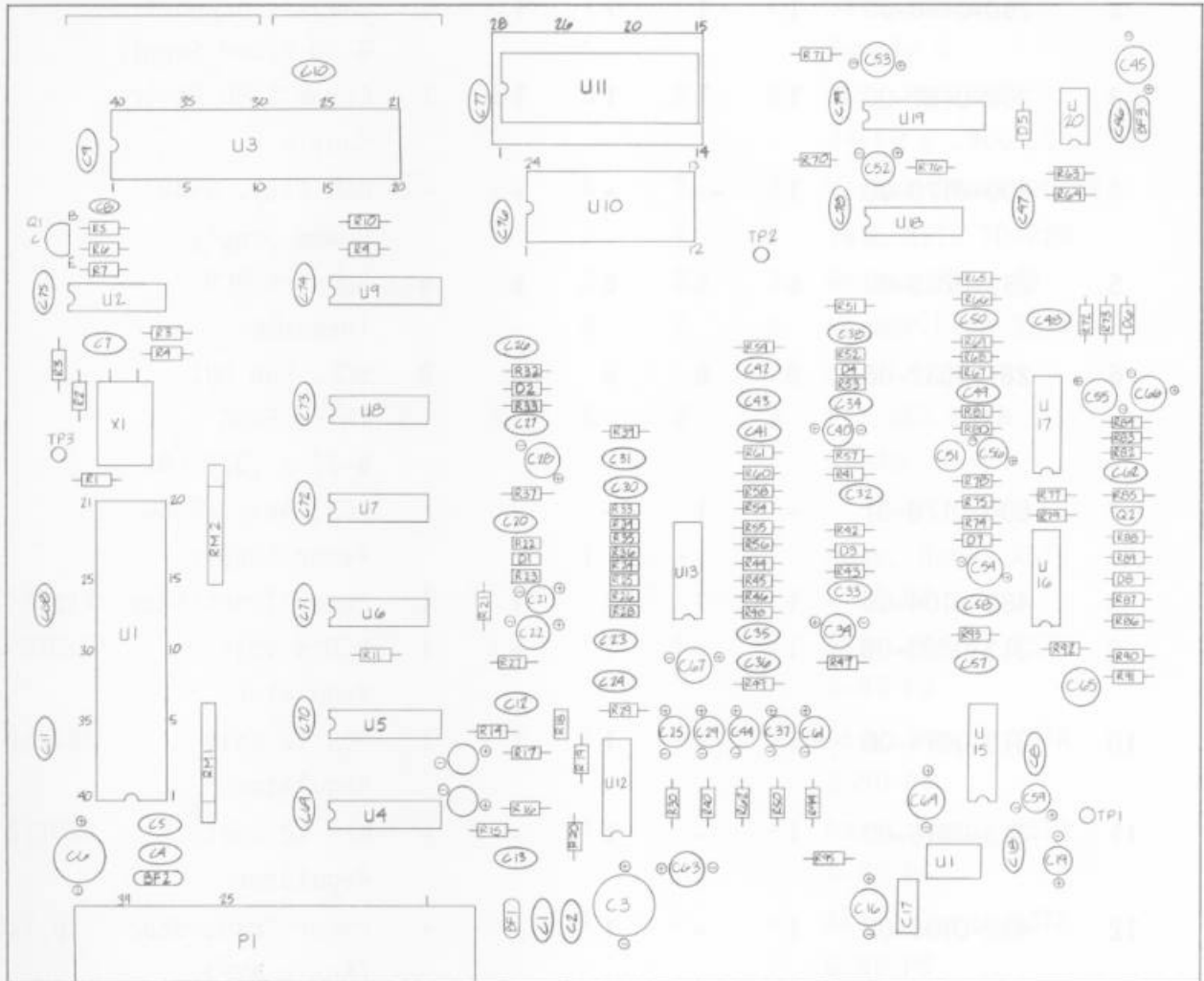
## SOUND BOARD ASSEMBLY

DRAWING NUMBER 834-5168

<u>ITEM NO.</u>	<u>PART NO.</u>	<u>QTY</u> <u>REQ'D</u>	<u>DESCRIPTION</u>	<u>REF NO.</u>
1	171-5027	1	PC Board	
2	315-0041	1	IC Z80A	U3
3	315-0152	1	IC 8255A-5	U1
4	314-0015	1	IC 7404	U2
5	314-0146	1	IC 7416	U6
6	314-0104	1	IC 74LS138	U9
7	314-0075	2	IC 74LS393	U7, 8
8	315-0205	2	IC 76489	U4, 5
9	315-0146	4	IC MB3614	U12, 13, 16,17
10	315-0217	1	IC HM6116P-4	U10
11	315-0034	1	IC CD4001	U18
12	315-0228	1	IC $\mu$ PD4538 BC	U19
13	315-0035	1	IC MM5837	U20
14	313-0140	1	IC AN78N06	U14
15	315-5021	1	IC Controller Chip ST-501534	U15
16	316-5307	1	IC 2764 EPR-5307	U11
17	213-0012	1	Skt 28 Pin	
18	230-0039	1	X-TAL 4.00 MHz	
19	481-0213	8	Diode IS2075	
20	482-0037	1	XSTR 2SA564	
21	482-0240	1	XSTR 2SC 1684	
22	212-0164	1	Conn M40 Pin	
23	211-0168	3	Conn Pin Test PT	
24	477-0005	2	Res Pack 8 x 4.7K Ohm 1/8W	
25	470-0100	2	Res 10 Ohm 1/4 5%	
26	470-0220	1	Res 22 Ohm 1/4 5%	
27	470-0221	2	Res 220 Ohm 1/4 5%	
28	470-0331	1	Res 330 Ohm 1/4 5%	
29	470-0102	7	Res 1K Ohm 1/4 5%	

<u>ITEM NO.</u>	<u>PART NO.</u>	<u>QTY</u> <u>REQ'D</u>	<u>DESCRIPTION</u>	<u>REF NO.</u>
30	470-0122	3	Res 1.2K Ohm 1/4 5%	
31	470-0202	2	Res 2K Ohm 1/4 5%	
32	470-0222	1	Res 2.2K Ohm 1/4 5%	
33	470-0332	1	Res 3.3K Ohm 1/4 5%	
34	470-0472	1	Res 4.7K Ohm 1/4 5%	
35	470-0103	13	Res 10K Ohm 1/4 5%	
36	470-0153	2	Res 15K Ohm 1/4 5%	
37	470-0203	8	Res 20K Ohm 1/4 5%	
38	470-0223	10	Res 22K Ohm 1/4 5%	
39	470-0473	12	Res 47K Ohm 1/4 5%	
40	470-0513	8	Res 51K Ohm 1/4 5%	
41	470-0104	5	Res 100K Ohm 1/4 5%	
42	470-0154	1	Res 150K Ohm 1/4 5%	
43	470-0204	1	Res 200K Ohm 1/4 5%	
44	470-0334	1	Res 330K Ohm 1/4 5%	
45	470-0394	2	Res 390K Ohm 1/4 5%	
46	470-0474	2	Res 470K Ohm 1/4 5%	
47	470-0105	3	Res 1M Ohm 1/4 5%	
48	470-0225	2	Res 2.2M Ohm 1/4 5%	
49	470-0244	1	Res 240K Ohm 1/4 5%	
50	470-0471	1	Res 470 Ohm 1/4 5%	
51	150-	2	Cap E IMF 50V NP	
52	150-0009	8	Cap E 1 MF 50V	
53	150-0023	2	Cap E 10 MF 16V	
54	150-0065	10	Cap E 47 MF 16V	
55	150-0159	2	Cap E 220 MF 16V	
56	150-0160	1	Cap E 470 MF 16V	
57	151-0020	1	Cap CER 33 PF 50V	
58	151-0043	1	Cap CER 220 PF 50V	
59	151-0042	1	Cap CER 470 PF 50V	
60	151-0005	1	Cap CER 680 PF 50V	

<u>ITEM NO.</u>	<u>PART NO.</u>	<u>QTY</u> <u>REQ'D</u>	<u>DESCRIPTION</u>	<u>REF NO.</u>
61	151-0074	2	Cap CER 0.0022 MF 25V	
62	151-0011	1	Cap CER 0.1 MF 50V	
63	151-0041	20*	Cap CER 0.1 MF 25V	
64	152-0063	1	Cap Film 0.0015 MF 50V	
65	152-0051	1	Cap Film 0.0033 MF 50V	
66	152-0026	1	Cap Film 0.0039 MF 100V	
67	152-0036	2	Cap Film 0.0068 MF 50V	
68	152-0033	1	Cap Film 0.01 MF 50V	
69	152-0079	2	Cap Film 0.022 MF 50V	
70	152-0035	6	Cap Film 0.033 MF 50V	
71	152-0038	2	Cap Film 0.047 MF 50V	
72	152-0066	3	Cap Film 0.068 MF 25V	
73	152-0031	4	Cap Film 0.1 MF 50V	
74	153-0070	4	Cap Tant 1 MF 16V	
75	153-0058	1	Cap Tant 2.2 MF 10V	
76	153-0050	1	Cap Tant 33 MF 16V	
77	601-5022	3	Filter 253D-01	



## G-80 POWER SUPPLY ASSEMBLY

DRAWING NUMBER 800-0191

ITEM NO.	PART NO.	QTY. REQD.					DESCRIPTION	REF DES.
		-00	-01	-02	-03	-04		
1	530-0016-00	1	1	1	1	1	Heat Sink G-80 Power Supply	
2	250-0460-00	1	1	1	1	1	Chassis Support G-80 Power Supply	
3	250-0461-00	1	1	1	1	1	Cover G-80 Power Supply	
4	800-0170-00	1	-	-	-	-	PCB Assy. G-80 Power Supply	
5	253-0206-00	6	6	6	6	6	Support PCB Threaded	
6	281-0032-06	8	8	8	8	8	SCR. PNH PHIL Third FRMG 6-32 x .375 LG.	
7	800-0170-01	-	1	-	-	-	PCB, Assy. G-80 Power Supply	
8	482-0104-00	1	1	1	1	1	Power Transistor	Tip 141
9	313-0023-00	1	-	1	-	1	NEG 5 Volt Regulator	320T5
10	313-0014-00	1	1	1	1	1	POS 12 Volt Regulator	340T12
11	313-0015-00	1	-	1	-	-	NEG 12 Volt Regulator	320T12
12	482-0100-00	1	-	1	-	-	Power Transistor (Audio AMP)	Tip 125
13	482-0019-00	1	-	1	-	-	Power Transistor (Audio AMP)	Tip 120
14	800-0170-02	-	-	1	-	-	PCB Assy. G-80 Power Supply	
15	800-0170-03	-	-	-	1	-	PCB Assy. G-80 Power Supply	
16	420-0557-00	1	1	1	1	1	Decal, Fuse	

## G-80 POWER SUPPLY ASSEMBLY

DRAWING NUMBER 800-0191

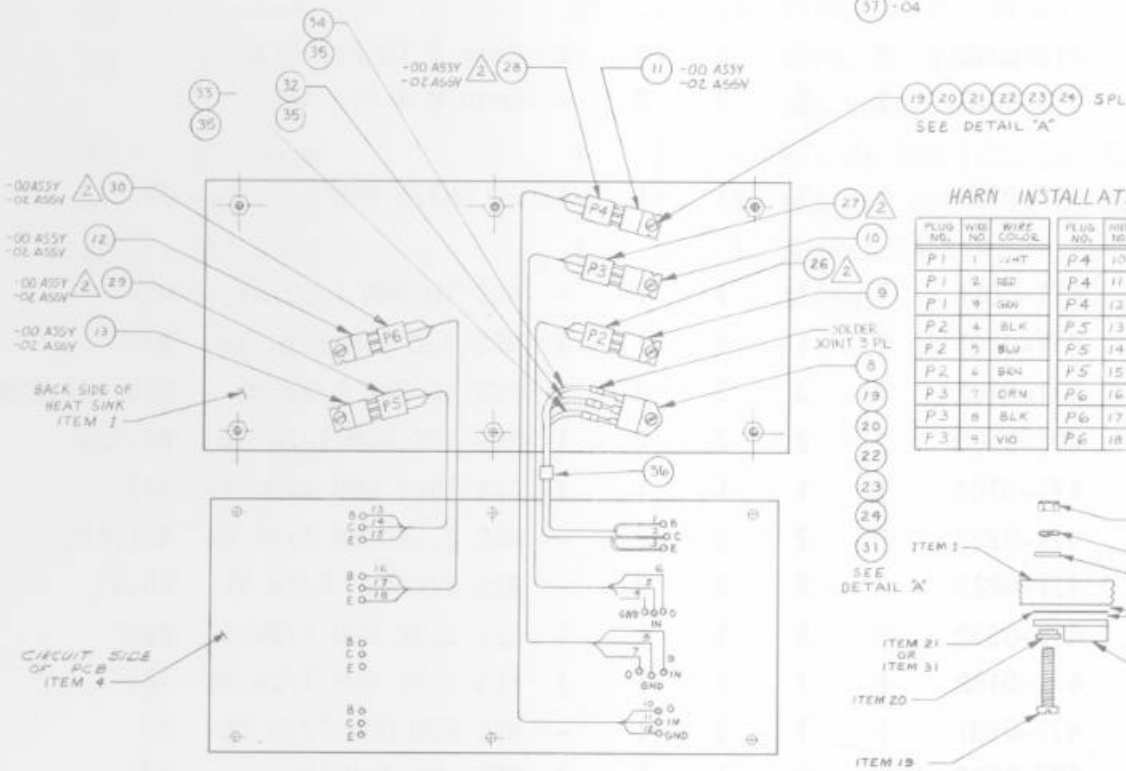
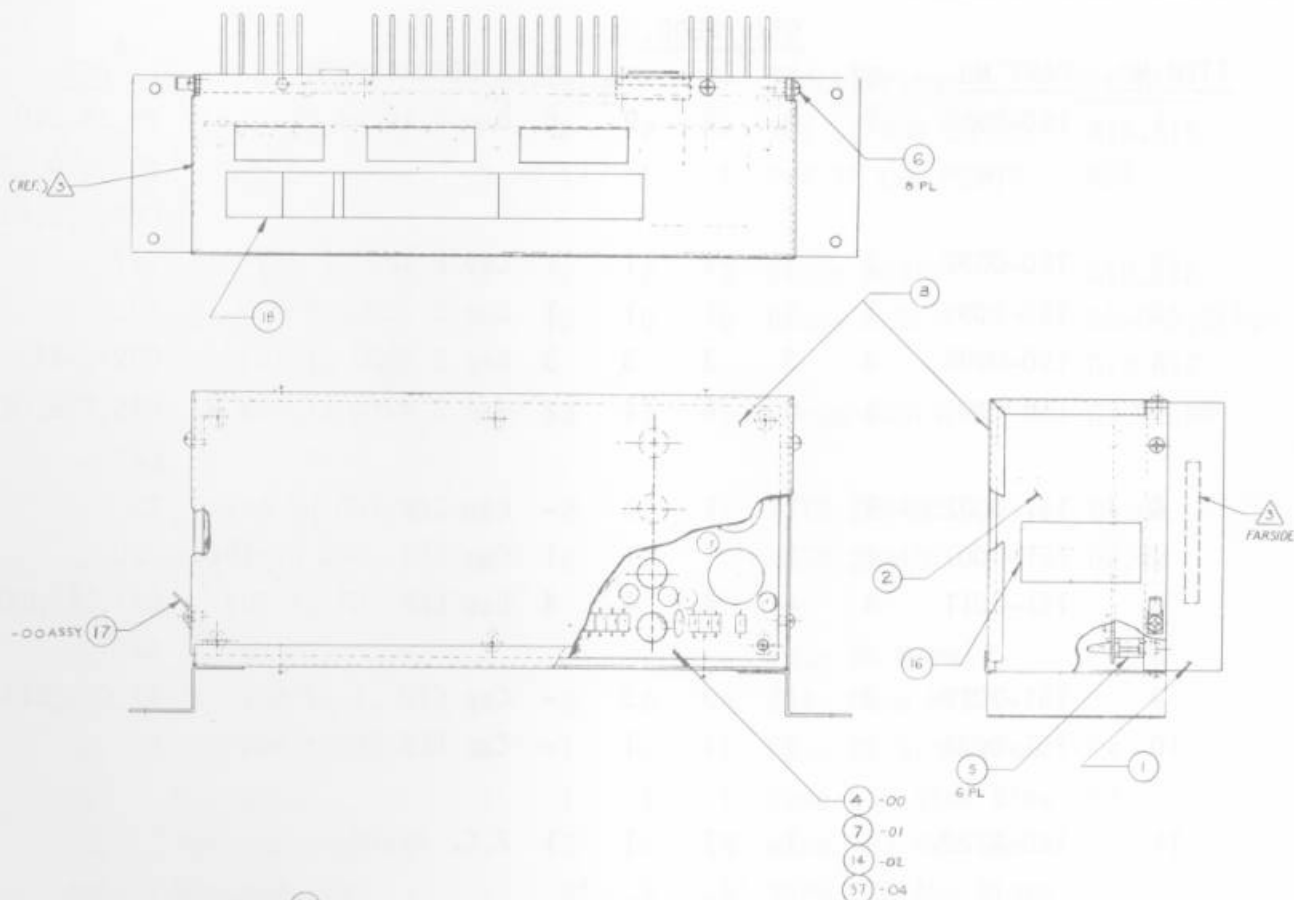
ITEM NO.	PART NO.	QTY. REQD.					DESCRIPTION	REF DES.
		-00	-01	-02	-03	-04		
17	280-0117-00	1	-	-	-	-	Tab Rivet, Male 1/4"	
18	420-0575-00	1	1	1	1	1	Decal-Power Supply B	
19	281-0001-08	6	2	6	2	3	SCR, PNH PHIL #4-40 x .500 LG	
20	280-0341-00	6	2	6	2	3	Washer Shoulder #4	
21	310-0006-01	5	1	5	1	1	INSL XSTR T0-220	
22	283-0060-13	6	2	6	2	3	Washer Flat #4	
23	283-0061-02	6	2	6	2	3	Washer Lock Split #4	
24	283-0072-07	6	2	6	2	3	Nut HEX Mach #4-40	
25								
26	800-0244-00	1	-	1	-	1	Assy. Harn. XSTR G-80 P2	
27	800-0245-00	1	1	1	1	1	Assy. Harn. XSTR G-80 P3	
28	800-0246-00	1	-	1	-	-	Assy. Harn. XSTR G-80 P4	
29	800-0247-00	1	-	1	-	-	Assy. Harn. XSTR G-80 P5	
30	800-0248-00	1	-	1	-	-	Assy. Harn. XSTR G-80 P6	
31	310-0007-01	1	1	1	1	1	Ins1. XSTR "H" (T0-218)	
32	600-0092-42	.38'	.38'	.38'	.38'	.38'	Wire 22 AWG Red	
33	600-0092-45	.38'	.38'	.38'	.38'	.38'	Wire 22 AWG Green	
34	600-0092-44	.38'	.38'	.38'	.38'	.38'	Wire 22 AWG White	
35	310-0041-02	.25'	.25'	.25'	.25'	.25'	Shrink Tubing, .125 I.D. CLR	
36	280-0005-00	1	1	1	1	1	Cable Tie Standard	

G-80 POWER SUPPLY ASSEMBLY

DRAWING NUMBER 800-0191

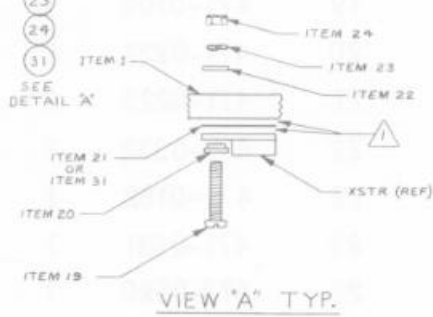
ITEM NO.	PART NO.	QTY. REQD.					DESCRIPTION	REF DES.
		-00	-01	-02	-03	-04		
37	800-0170-04	-	-	-	-	1	PC Assy. G-80 Power Supply	
38								
39								
40								
41								
42								
43								
44								
45								
46								
47								
48								
49								
50								





**HARN INSTALLATION**

PLUG NO.	WIRE NO.	WIRE COLOR	PLUG NO.	WIRE NO.	WIRE COLOR
P1	1	WHT	P4	10	WHT/RED
P1	2	RED	P4	11	WHT/GRN
P1	9	GRN	P4	12	BLK
P2	4	BLK	P5	13	GRN
P2	5	BLU	P5	14	RED
P2	6	BRN	P5	15	WHT
P3	7	GRN	P6	16	BRN
P3	8	BLK	P6	17	BLU
P3	9	VIO	P6	18	YEL



## G-80 POWER SUPPLY P.C. ASSEMBLY

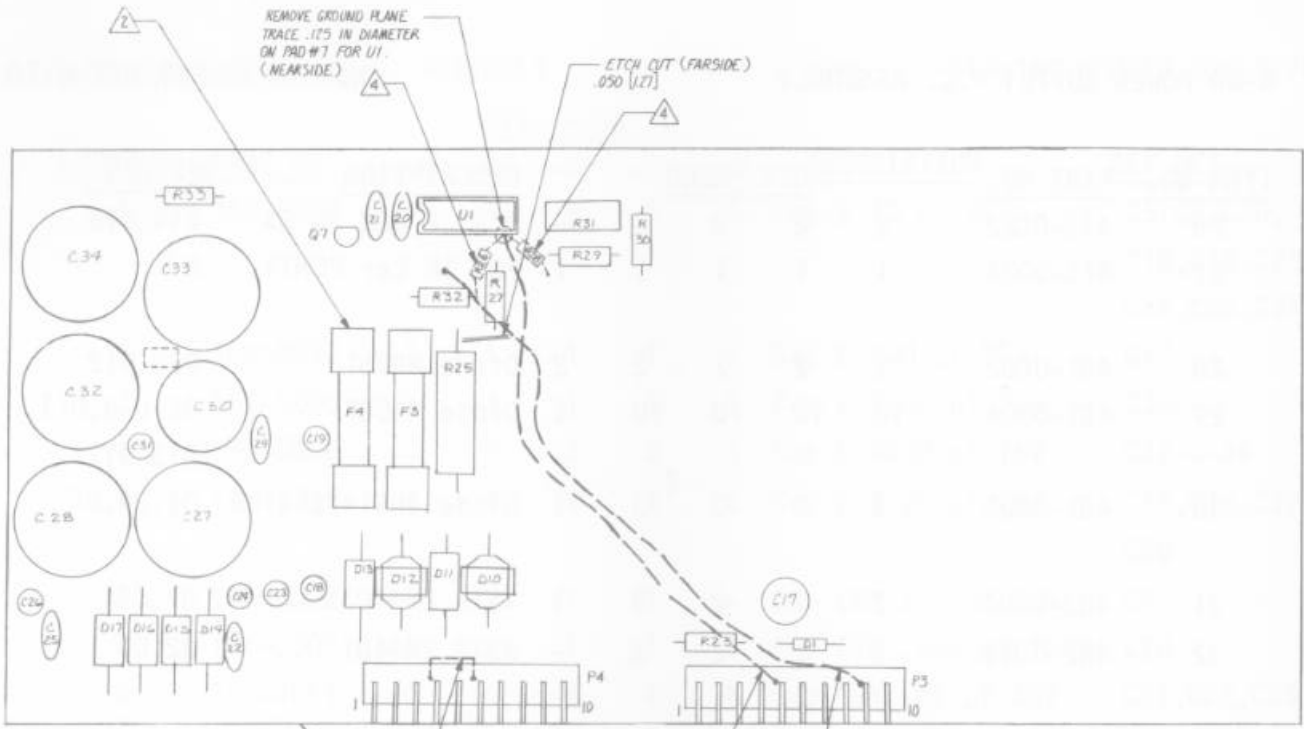
DRAWING NUMBER 800-0170

ITEM NO.	PART NO.	QTY. REQD.					DESCRIPTION	REF DES.
		-0C	-01	-02	-03	-04		
1	150-0088	9	9	9	9	6	Cap E 10 $\mu$ f 25V	C5,C8,C10, C18,C19,C23, C24,C26,C31
2	150-0092	1	1	1	1	1	Cap E 100 $\mu$ f 25V	C17
3	150-0095	1	1	1	1	1	Cap E 3300 $\mu$ f 25V	C30
4	150-0096	3	3	3	3	3	Cap E 6800 $\mu$ f 16V	C32-C-34
5	150-0097	4	4	4	4	2	Cap E 4700 $\mu$ f 25V	C15,C16,C27, C28
6	151-0002	1	1	1	1	-	Cap CER 100 $\mu$ f 50V	C9
7	151-0007	1	1	1	1	1	Cap CER .005 $\mu$ f 100V	C20
8	151-0011	4	4	4	4	4	Cap CER .01 $\mu$ f 50V	C21,C22,C25, C29
9	151-0012	3	3	3	3	-	Cap CER .1 $\mu$ f 50V	C2,C13,C14
10	151-0021	1	1	1	1	-	Cap CER 20 pf 50V	C7
11	170-0222	1	1	1	1	1	P.C. Board	
12	212-0020	2	2	2	2	2	Conn M 10 Pin RTA	
13	212-0081	2	2	2	2	-	Conn M 4 Pin RTA	
14	313-0001	1	1	1	1	1	IC LM723 Dip	U1
15	471-0011	1	1	1	1	-	RES 10 OHM 1/2W 5%	R2
16	471-0101	1	1	1	1	1	RES 100 OHM 1/2W 5%	R32
17	471-0102	3	3	3	3	2	RES 1K OHM 1/2W 5%	R10,R27,R29
18	471-0103	2	2	2	2	1	RES 10K OHM 1/2W 5%	R6,R30
19	471-0104	1	1	1	1	1	RES 100K OHM 1/2W 5%	R23
20	471-0222	2	2	2	2	-	RES 2.2K OHM 1/2W 5%	R21,R22
21	471-0223	2	2	2	2	-	RES 22K OHM 1/2W 5%	R5,R9
22	471-0332	1	1	1	1	1	RES 3.3K OHM 1/2W 5%	R28
23	471-0182	1	1	1	1	1	RES 1.8K OHM 1/2W 5%	R26
24	471-0681	1	1	1	1	-	RES 680 OHM 1/2W 5%	R7
25	473-05R0	1	1	1	1	1	RES .05 OHM 5W 3%	R25

G-80 POWER SUPPLY P.C. ASSEMBLY

DRAWING NUMBER 800-0170

<u>ITEM NO.</u>	<u>PART NO.</u>	<u>QTY. REQD.</u>				<u>DESCRIPTION</u>	<u>REF DES.</u>
26	473-00R2	2	2	2	2	- RES .2 OHM 3W 5%	R14,R15
27	475-0004	1	1	1	1	1 POT 1K Car PCMTV	R31
28	481-0002	2	2	2	2	2 Diode MR751	D10,D12
29	481-0004	10	10	10	10	6 Diode MR501	D6-D-9,D11, D13-D17
30	481-0006	3	3	3	3	1 Diode IN914/IN4148	D1,D4,D5
31	482-0006	2	2	2	2	1 XSTR 2N4403	Q1,Q7
32	482-0014	2	2	2	2	- XSTR 2N4401	Q2,Q3
33	514-0002	2	-	2	-	- Fuse 3A Norm.	F1,F2
34	514-0003	8	8	8	8	4 Clip Fuse MTG	
35	514-0001-00	1	-	1	-	1 Fuse 2A Slow Blow	F4
36	514-0073	1	1	1	1	1 Fuse 15A Slow Blow	F3
37	600-0092-49	-	-	.5'	.5'	.5' Wire, 22 AWG White	
38	600-0092-50	-	-	.5'	.5'	.5' Wire, 22 AWG Black	
39	600-0094-04	-	-	1	1	1 Wire, 22 AWG Solid Bus Uninsulated	
40	471-0220	1	1	1	1	- RES 22 OHM 1/2W 5%	R8
41	471-0221	1	1	1	1	1 RES 220 OHM 1/2W 5%	R33
42	213-0003-00	-	-	1	1	1 Socket 14 Pin Socket	V1



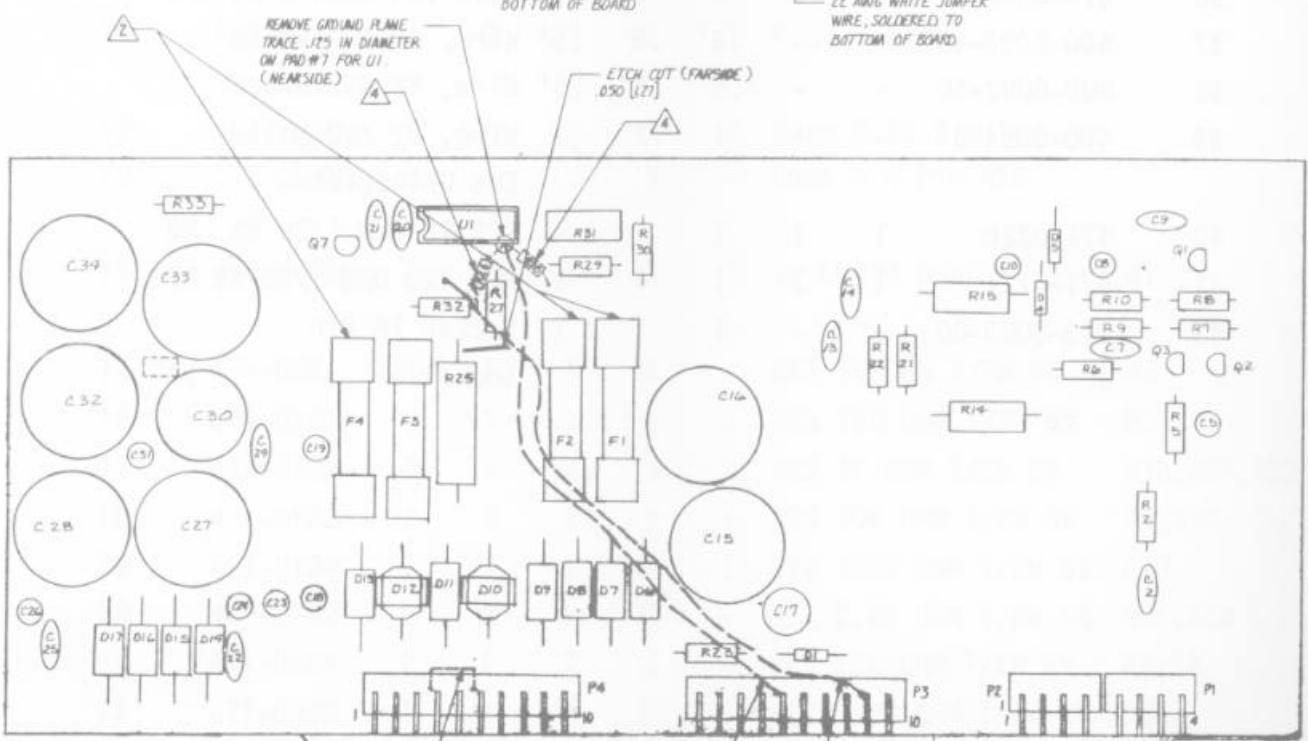
JUMPER 22 AWG BUSS WIRE

11 REF

22 AWG BLACK JUMPER WIRE SOLDERED TO BOTTOM OF BOARD

22 AWG WHITE JUMPER WIRE, SOLDERED TO BOTTOM OF BOARD

-04 ASSY



JUMPER 22 AWG BUSS WIRE

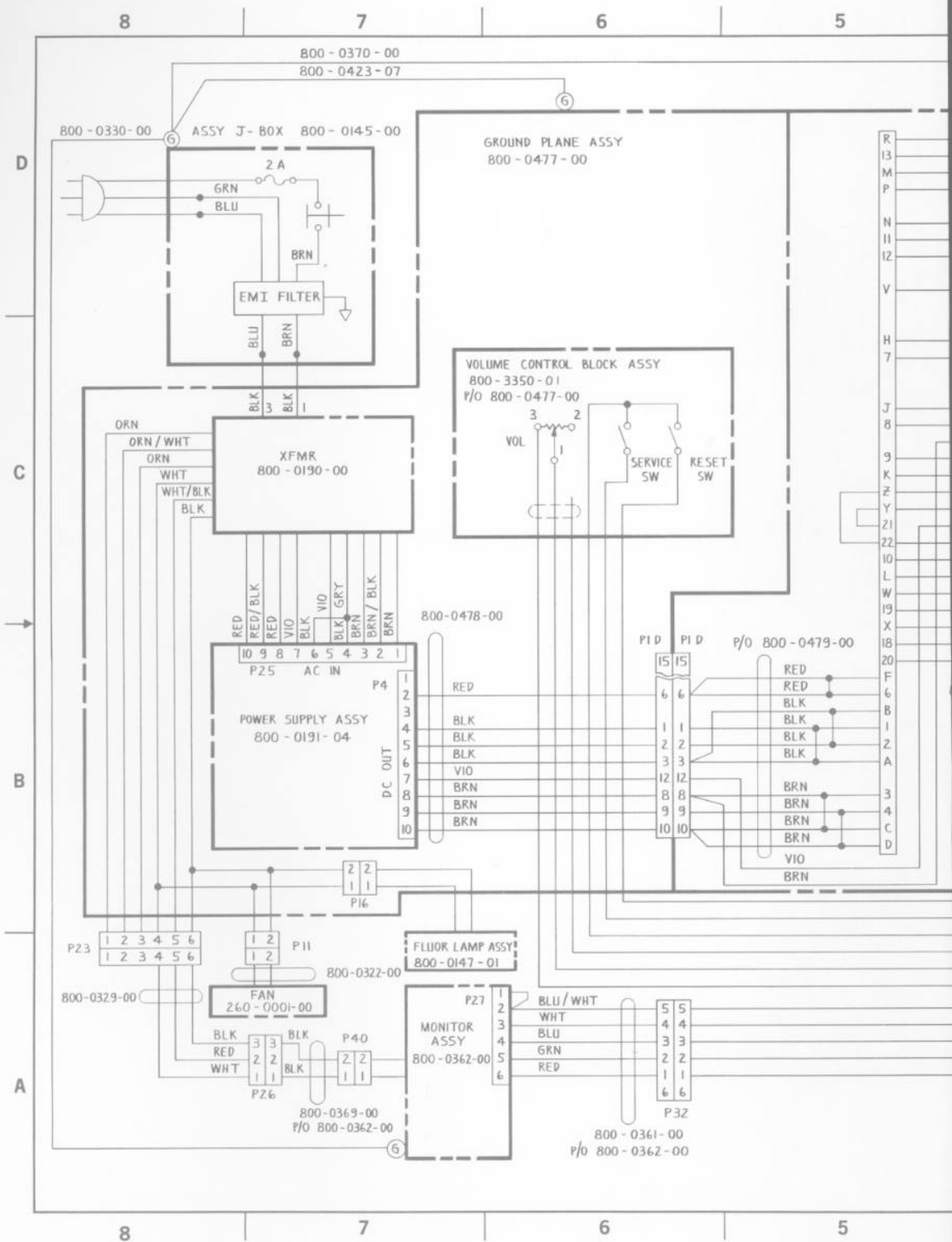
11 REF

22 AWG BLACK JUMPER WIRE SOLDERED TO BOTTOM OF BOARD

22 AWG WHITE JUMPER WIRE, SOLDERED TO BOTTOM OF BOARD

-02 AND -03 ASSY

## Schematics



800 - 0370 - 00  
 800 - 0423 - 07

800 - 0330 - 00 ASSY J- BOX 800 - 0145 - 00

GROUND PLANE ASSY  
 800 - 0477 - 00

VOLUME CONTROL BLOCK ASSY  
 800 - 3350 - 01  
 P/O 800 - 0477 - 00

XFMR  
 800 - 0190 - 00

POWER SUPPLY ASSY  
 800 - 0191 - 04

800 - 0478 - 00

P/O 800 - 0479 - 00

FLUOR LAMP ASSY  
 800 - 0147 - 01

FAN  
 260 - 0001 - 00

MONITOR ASSY  
 800 - 0362 - 00

P23

P11

800 - 0322 - 00

800 - 0329 - 00

P26

P40

800 - 0369 - 00  
 P/O 800 - 0362 - 00

800 - 0361 - 00  
 P/O 800 - 0362 - 00

R	
13	
M	
P	
N	
11	
12	
V	
H	
7	
J	
8	
9	
K	
Z	
Y	
21	
22	
10	
L	
W	
19	
X	
18	
20	
F	
6	
B	
1	
2	
A	
3	
4	
C	
D	

4

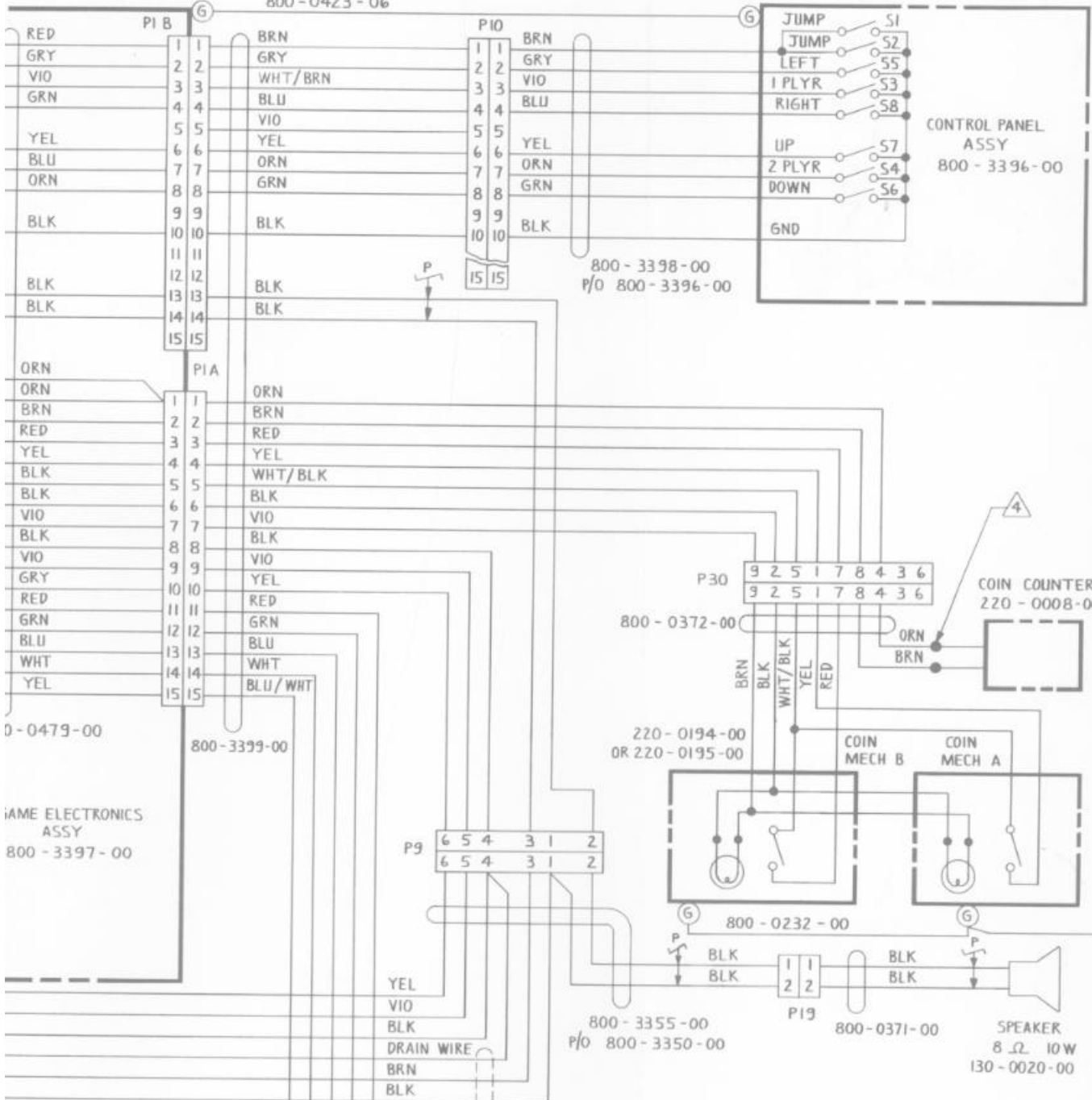
3

2

1

REVISIONS				
ZONE	LTR	DESCRIPTION	DATE	APPROVED
	-	SEE SH # 1		

800-0423-06



AME ELECTRONICS ASSY 800-3397-00

D  
C  
B  
A  
700-0134

QTY REQD	CODE IDENT	PART OR IDENTIFYING NO.	NOMENCLATURE OR DESCRIPTION	ITEM NO.
PARTS LIST				
UNLESS OTHERWISE SPECIFIED DIMENSIONS ARE IN INCHES TOLERANCES ARE:		CONTRACT NO.		
FRACTIONS ±	DECIMALS .XX ±	ANGLES °	APPROVALS	
MATERIAL		DATE		
FINISH		DRAWN		
NEXT ASSY		CHECKED		
USED ON		MECH		
APPLICATION		ELEC		
DO NOT SCALE DRAWING		MFG		
		PROJECT		
		SIZE		
		CODE IDENT NO.		
		DRAWING NO.		
		REV		
		D		
		700-0134		
		A		
		SHEET 2 OF		



# Cabinet Wiring Diagram

700-0134

A

4

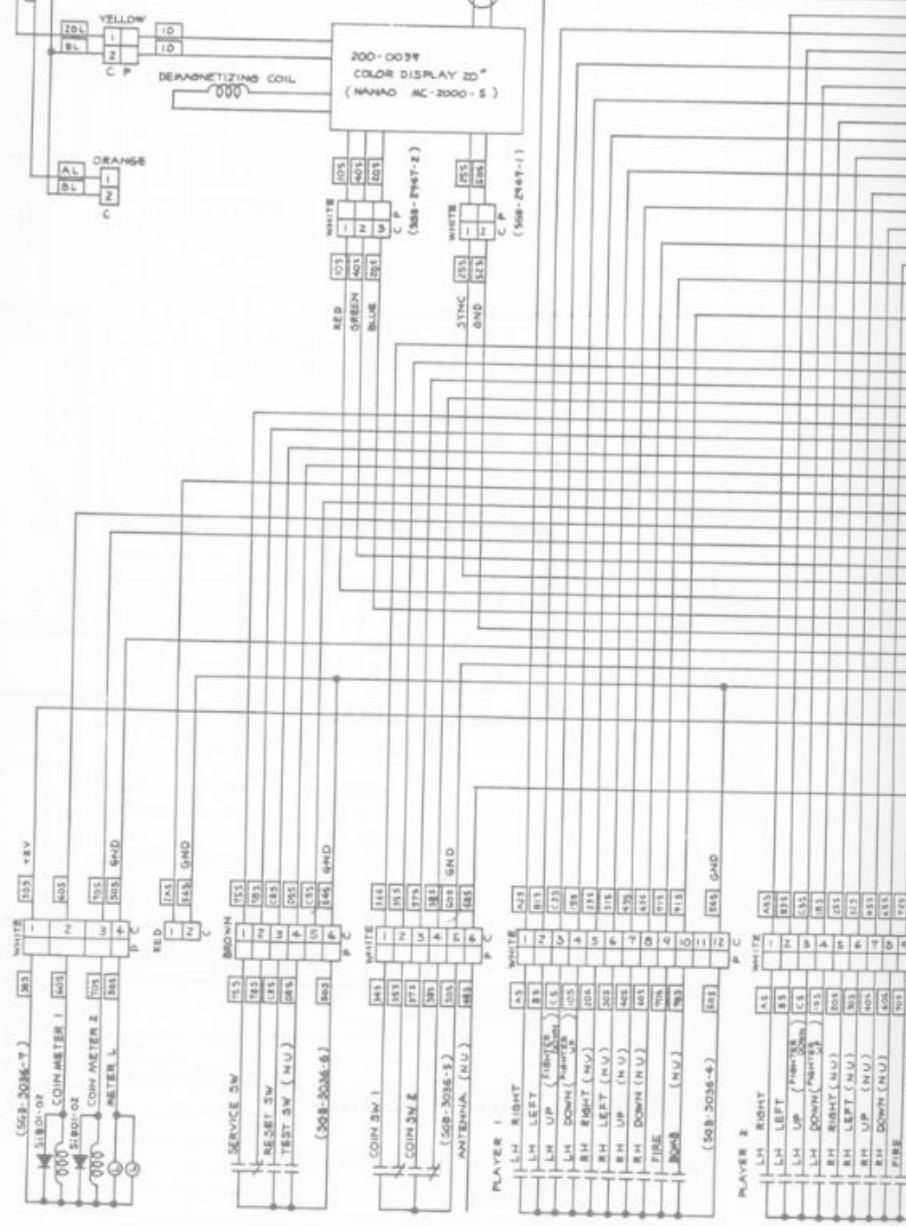
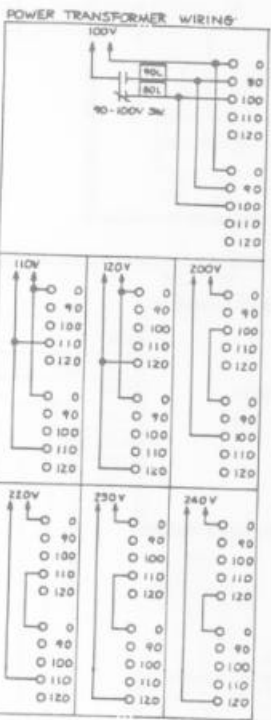
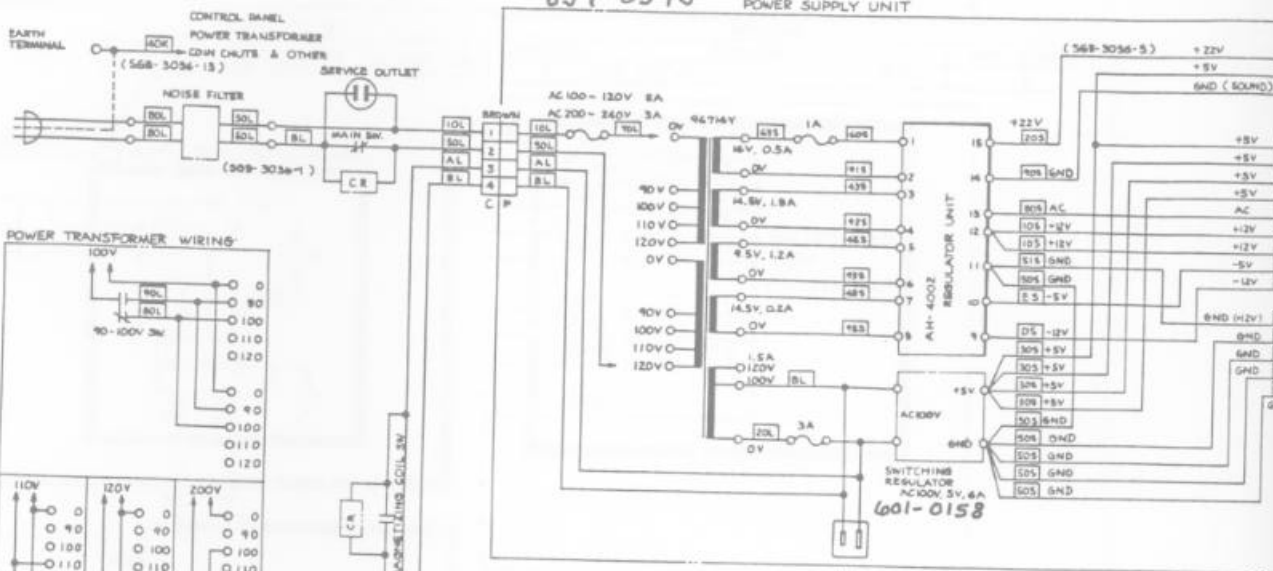
3

2

1

834-0340

POWER SUPPLY UNIT

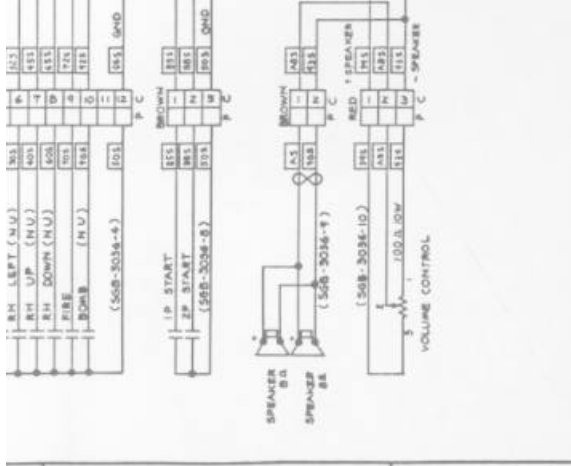
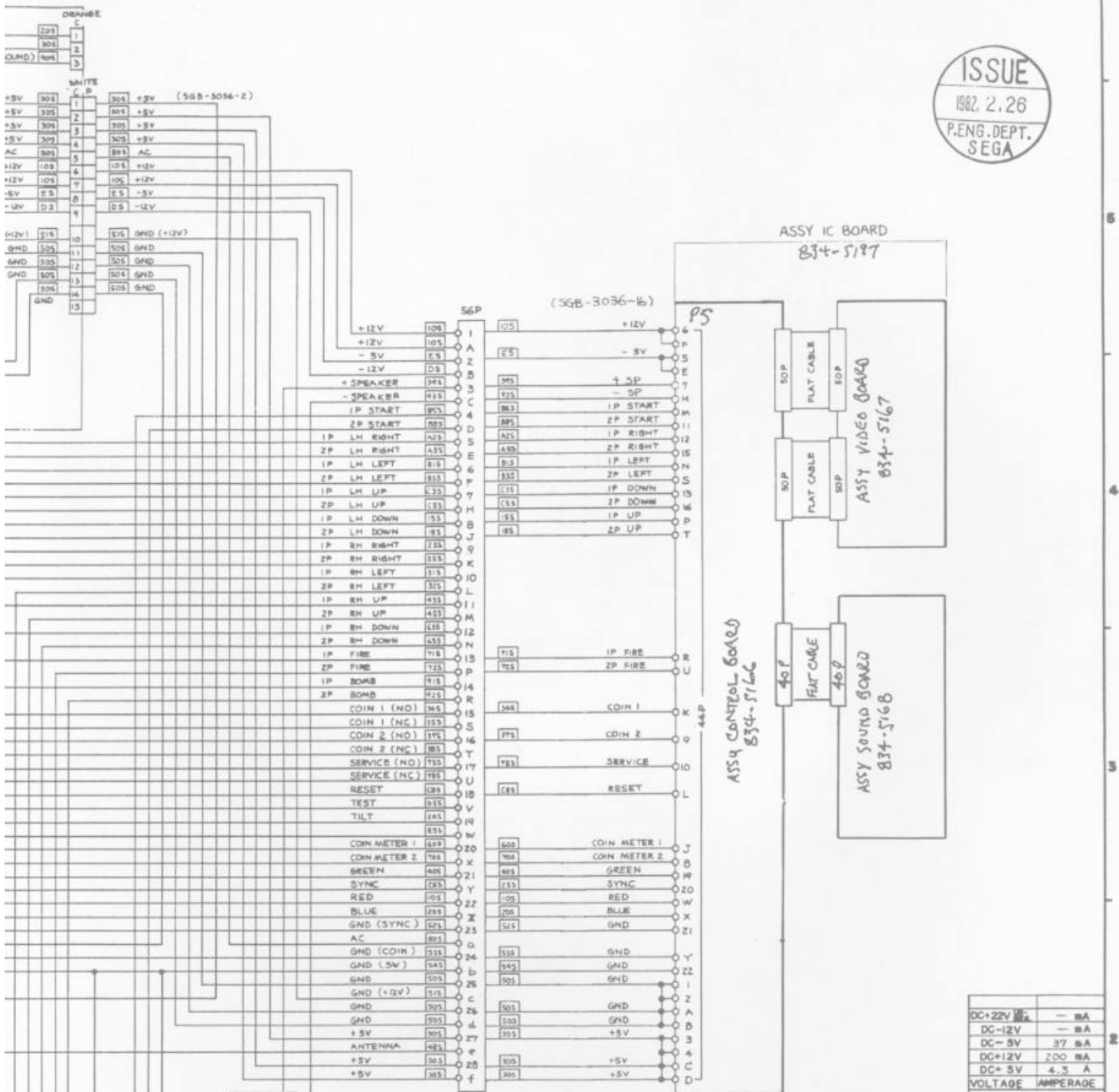


PIN ASSIGNMENT  
44P PITCH 3.96mm

GND	A 1	GND
GND	B 2	GND
+5V	C 3	+5V
+5V	D 4	+5V
-5V	E 5	-5V
+12V	F 6	+12V
-SPEAKER	G 7	+SPEAKER
COIN METER 1	H 8	COIN METER 2
COIN 1	K 9	COIN 2
RESET	L 10	SERVICE
1P START	M 11	2P START
1P LEFT	N 12	1P RIGHT
1P UP	P 13	1P DOWN
1P FIRE	R 14	
2P LEFT	S 15	2P RIGHT
2P UP	T 16	2P DOWN
2P FIRE	U 17	
GND	V 18	GND
RED	W 19	GREEN
BLUE	X 20	SYNC
GND	Y 21	GND
GND	Z 22	GND

↑ PARTS SETTINGS SIDE





DC+22V	—	8A
DC-12V	—	8A
DC-5V	37	8A
DC+12V	200	8A
DC+5V	4.3	A
VOLTAGE AMPERAGE		
95-2009		

VOLTAGE	120V	200V	220V	230V	240V	100V
AMPERAGE	1.5 A	0.75 A	0.7 A	0.7 A	0.7 A	1.0 A
WATTAGE	180 W	110 W	110 W	110 W	110 W	110 W

ALTERATION	POWER	POWER CONSUMPTION
S2 WHITE BLUE	⊕	CIRCLE IN THE SWITCH SYMBOLS INDICATES OPERATION BY A MOTOR
S1 WHITE RED	⊖	MAKE AND BREAK SWITCH
S0 WHITE	⊕	NORMALLY CLOSED SWITCH OPEN WHEN ENERGIZED
EXAMPLES		
K 8RD WIRE (LARGE)	⊕	NORMALLY OPEN SWITCH CLOSED WHEN ENERGIZED
L LARGE WIRE	⊖	SWITCH SYMBOLS
J JUMPER WIRE	⊕	APR
E LIGHT BENDER	⊖	ASSY
D PURPLE	⊕	CKD
C BROWN	⊖	DRW 801-226-22
B BKY BLUE	⊕	SGB-3036
A PINK	⊖	
BRAY	⊕	
B BLAS	⊖	
7 ORANGE	⊕	
8 MAROON	⊖	
5 WHITE	⊕	
4 GREEN	⊖	
3 YELLOW	⊕	
2 BLUE	⊖	
1 RED	⊕	
7U NOT USED		
8H RIGHT HAND		
LH LEFT HAND		
SOB SOLENOID		
SW SWITCH		
RE RELAY		

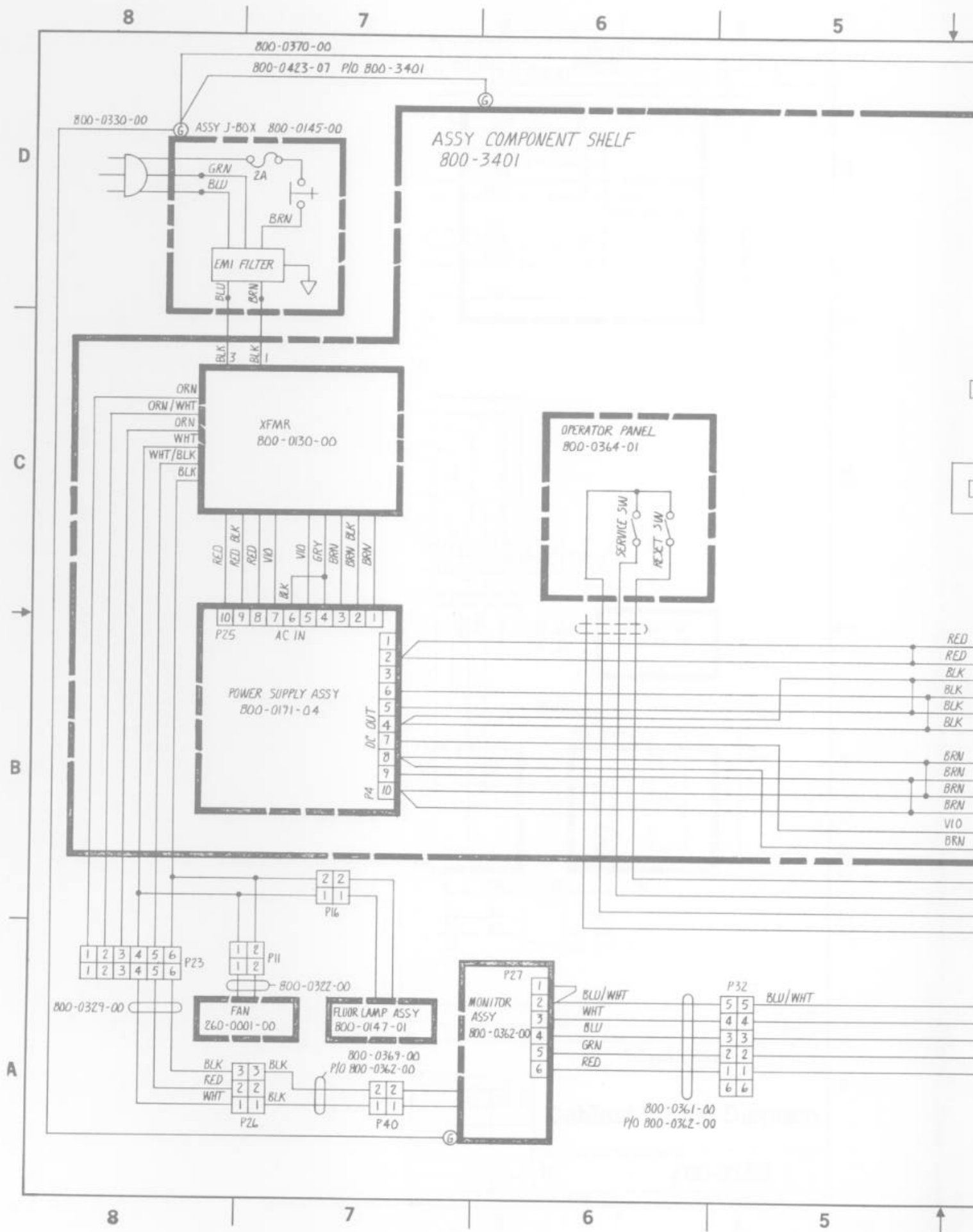
  

COIL LOCATIONS	RELAY LOCATIONS	ABBREVIATIONS USED	WIRE COLOR CODE
----------------	-----------------	--------------------	-----------------

## Cabinet Wiring Diagram (AC100~240V) 700-0137

DESCRIPTION SCHEMATIC DIAGRAM NO.



8

7

6

5

D

C

B

A

800-0370-00

800-0423-07 P/O 800-3401

800-0330-00

ASSY J-BOX 800-0145-00

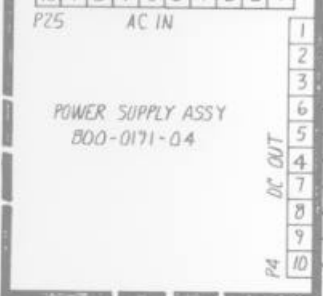
ASSY COMPONENT SHELF  
800-3401

EMI FILTER

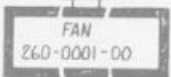
XFMR  
800-0130-00

OPERATOR PANEL  
800-0364-01

POWER SUPPLY ASSY  
800-0171-04



800-0322-00



800-0369-00

P/O 800-0362-00



800-0361-00

P/O 800-0362-00

800-0362-00

P27



P32



800-0361-00  
P/O 800-0362-00

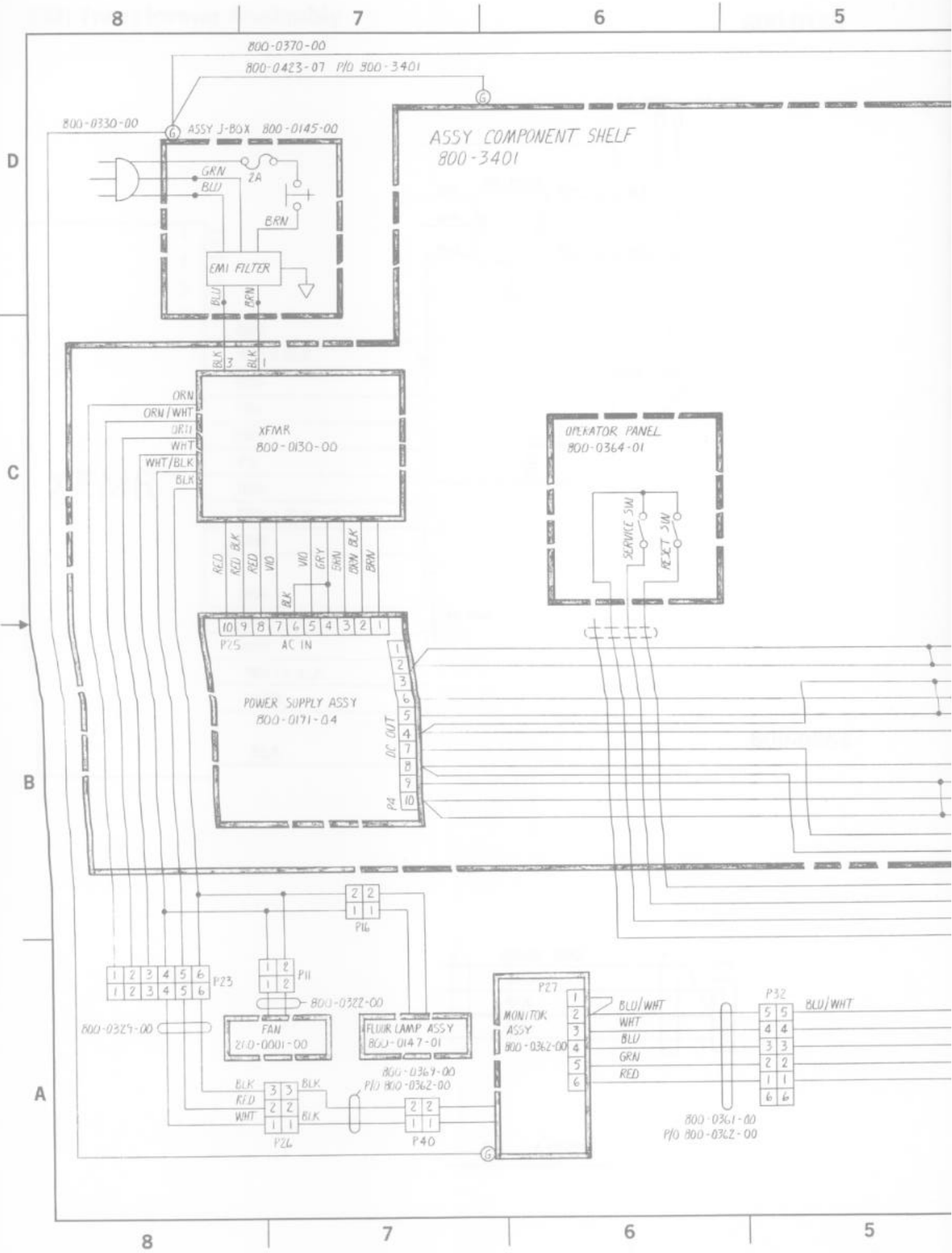
8

7

6

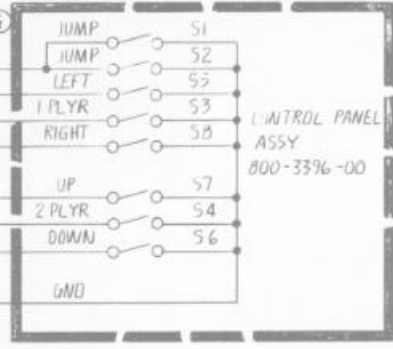
5





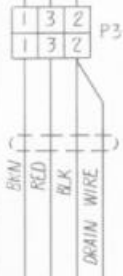
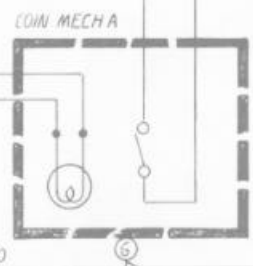
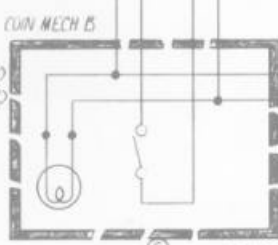
REVISIONS				
ZONE	LTR	DESCRIPTION	DATE	APPROVED
-		SEE SHT #1		Lawyer

800-0423-08 P/O 800-3401  
 800-3402 P/O 800-3401



- R BRN
- 13 GRY
- M WHT/BRN
- P BLU
- N YEL
- 11 ORN
- 12 GRN
- V BLK
- H BLK
- 7 BLK
- J ORN
- 8
- 9 RED
- YEL
- K WHT/BLK
- Z BLK
- Y
- 21
- 22
- 10 BLK
- L VIO
- W GRY
- 19 RED
- X GRN
- 18 BLU
- 20 WHT
- RED
- RED
- 6
- B
- BLK
- 1
- 2
- BLK
- A
- 3
- BRN
- 4
- BRN
- C
- BRN
- VIO
- D
- BRN

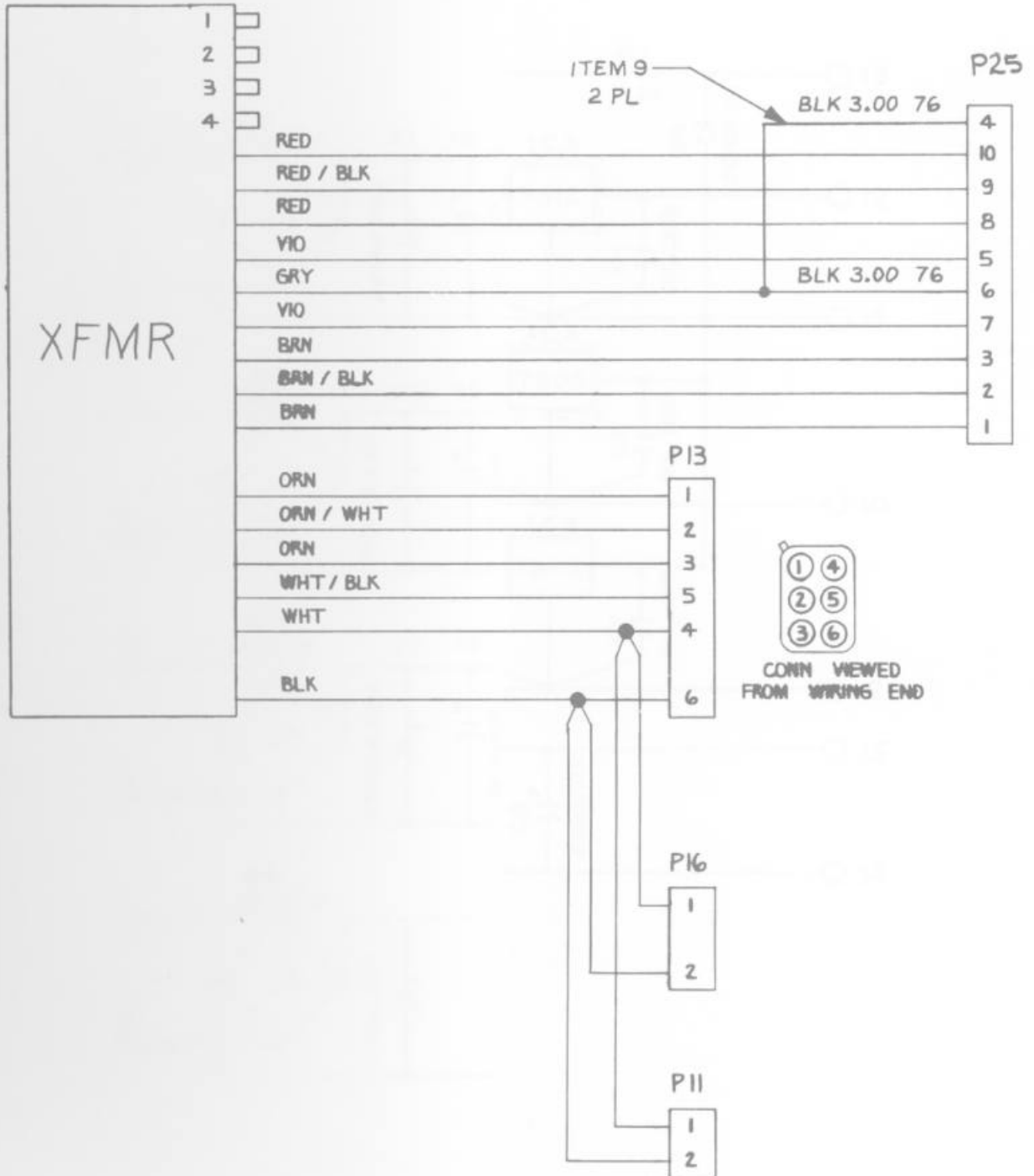
800-3398-00  
 P/O 800-3396-00



800-0484  
 P/O 800-0364-01

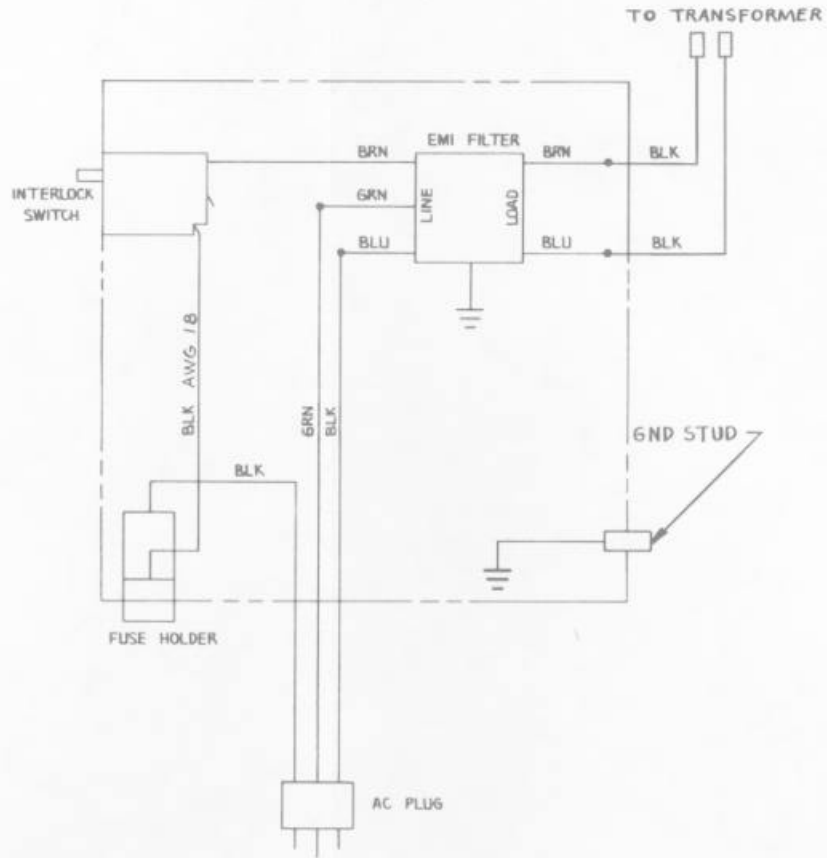
D  
C  
B  
A  
700-0139 | A

QTY REQD	CODE IDENT	PART OR IDENTIFYING NO.	NOMENCLATURE OR DESCRIPTION	ITEM NO.
PARTS LIST				
UNLESS OTHERWISE SPECIFIED DIMENSIONS ARE IN INCHES TOLERANCES ARE: FRACTIONS DECIMALS ANGLES . XX . . XXX . = ° ° ° =		CONTRACT NO.		
		<b>Gremlin/SEGA</b> <small>San Diego, California 92122</small>		
		APPROVALS: _____ DATE: _____ DRAWN: <i>J. Mavret</i> 3/18/83 CHECKED: _____ MECH: _____ ELEC: _____ MFG: _____ PROJECT: _____		
		<b>Cabinet Wiring Diagram</b>		
MATERIAL: _____ FINISH: _____		SIZE: <b>D</b>	CODE IDENT NO: <b>700-0139</b>	DRAWING NO: _____ REV: <i>A</i>
NEXT ASSY: _____ USED ON: _____ APPLICATION: _____		SCALE: <i>NONE</i>	SHEET 3 OF _____	
DO NOT SCALE DRAWING				



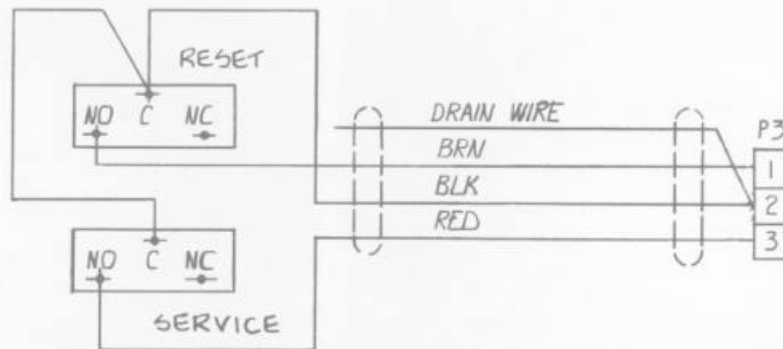
# AC Junction Box Assembly

800-0145

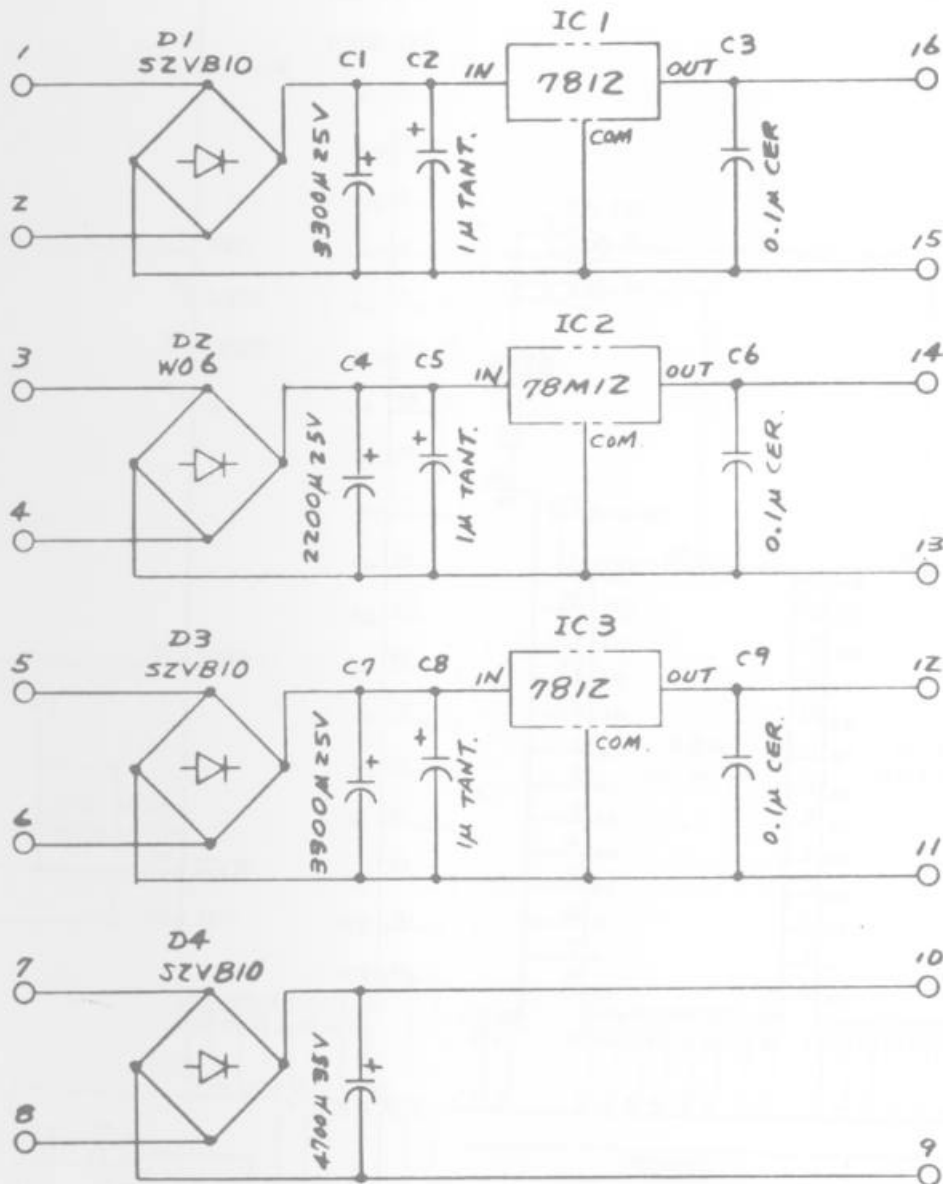


# Operator Control Block Assembly

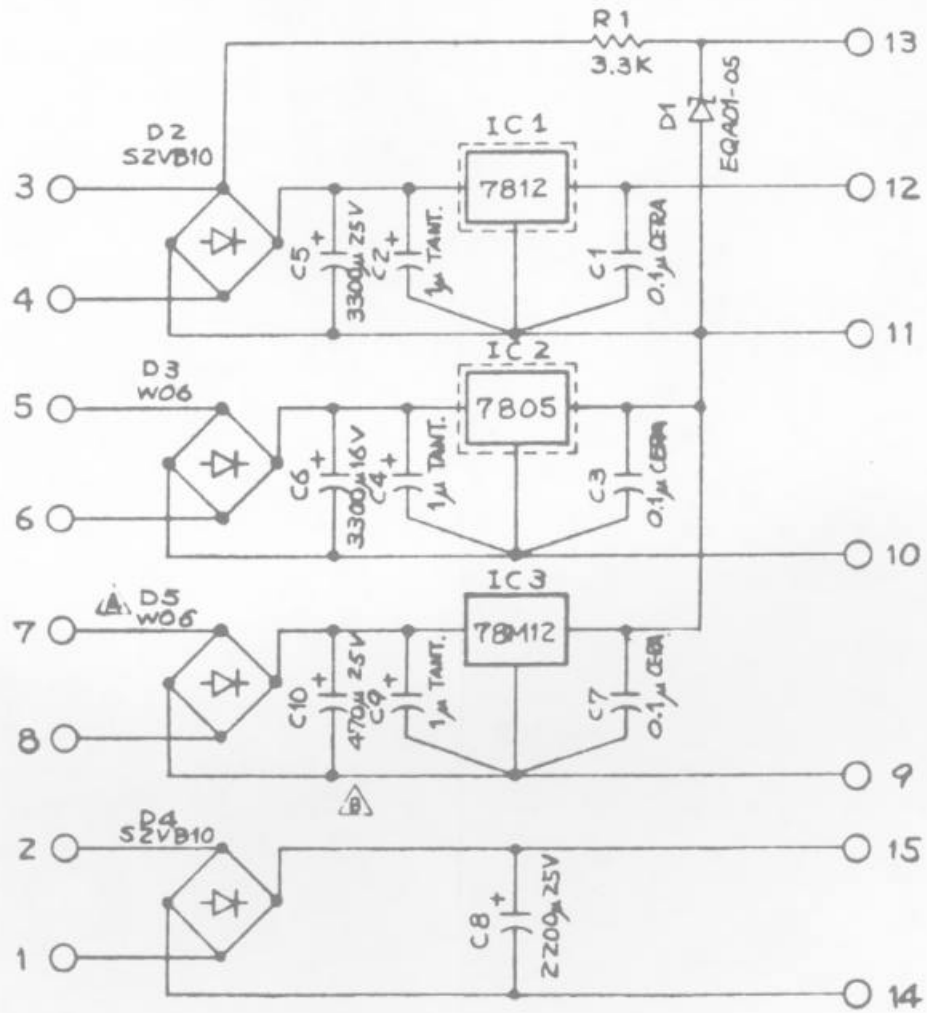
800-0364

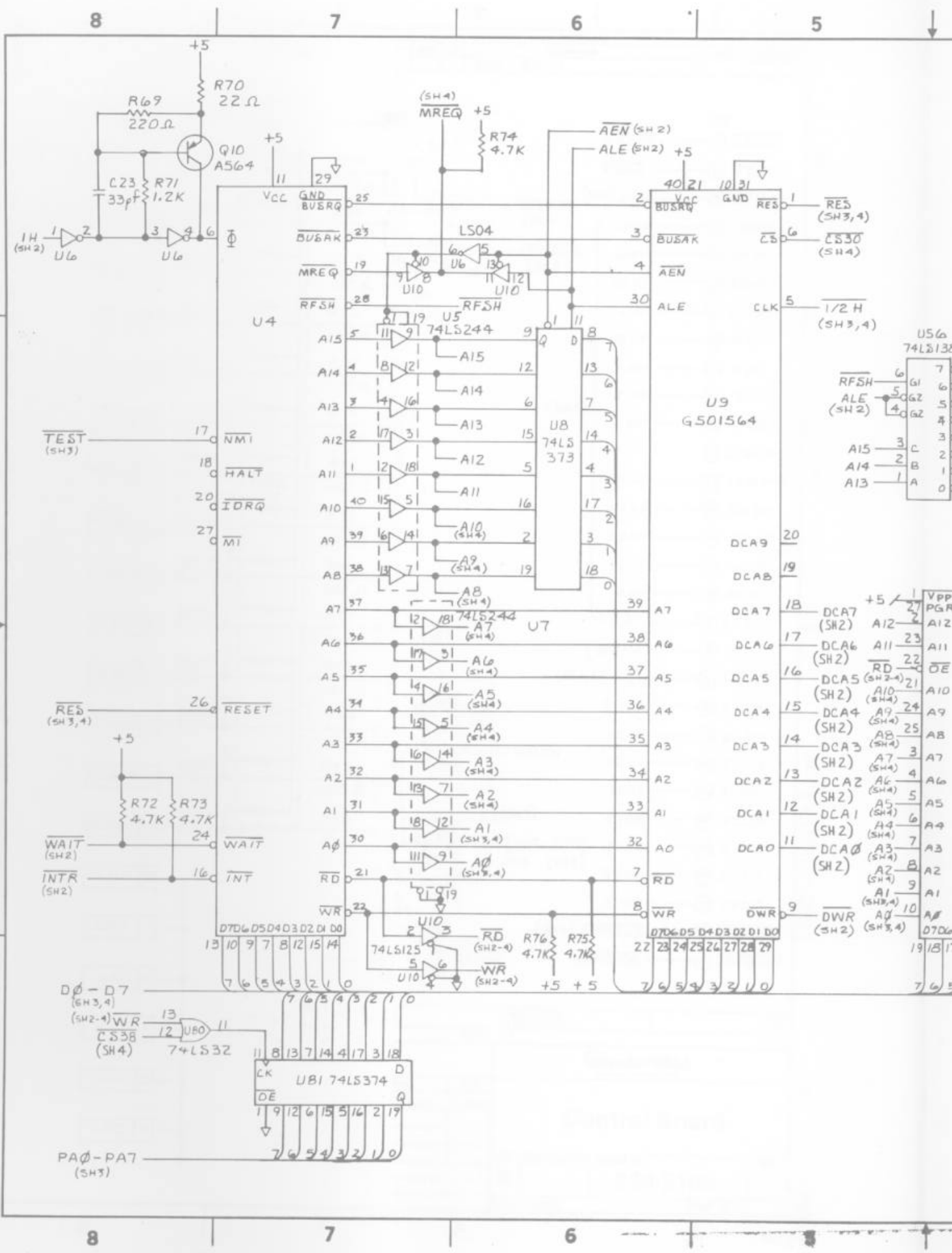


-01 ASSY









4

3

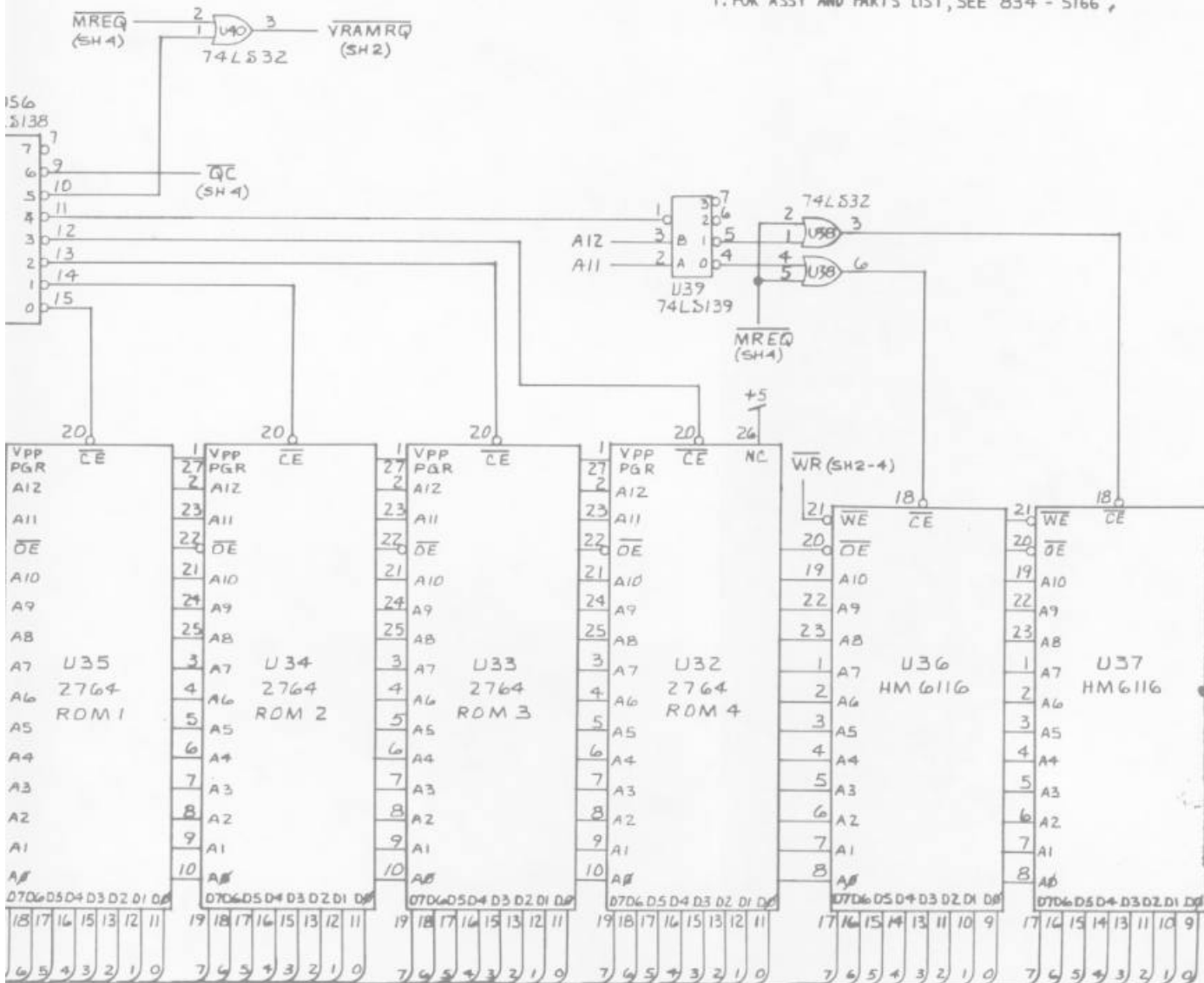
2

1

REV				REV STATUS		REVISIONS				
4	3	2	1	SH	OF SHEETS	ZONE	LTR	DESCRIPTION	DATE	APPROVED
A	A	A	A			A		RELEASED	8-29-83	chw

NOTES: (UNLESS OTHERWISE SPECIFIED)

1. FOR ASSY AND PARTS LIST, SEE 834 - 5166 ,



QTY REQD	CODE IDENT	PART OR IDENTIFYING NO.	NOMENCLATURE OR DESCRIPTION	ITEM NO.
PARTS LIST				
UNLESS OTHERWISE SPECIFIED DIMENSIONS ARE IN INCHES TOLERANCES ARE:		CONTRACT NO.		
FRACTIONS	DECIMALS	ANGLES	 San Diego, California 92123	
=	.XX ±	=		
MATERIAL	FINISH		<h1>Control Board</h1>	
APPROVALS		DATE		
DRAWN <i>Wynema</i>		3-30-83		
CHECKED <i>Al Davis</i>		4-26-83		
MECH		ELEC	SIZE CODE IDENT NO. DRAWING NO. REV	
MPG <i>J.R. Kipps</i>		4-29-83	D 834-5166 A	
PROJECT <i>Sakawak</i>		4-29-83	SCALE NONE SHEET 1 OF 4	
NEXT ASSY USED ON		DO NOT SCALE DRAWING		
APPLICATION				

4

3

2

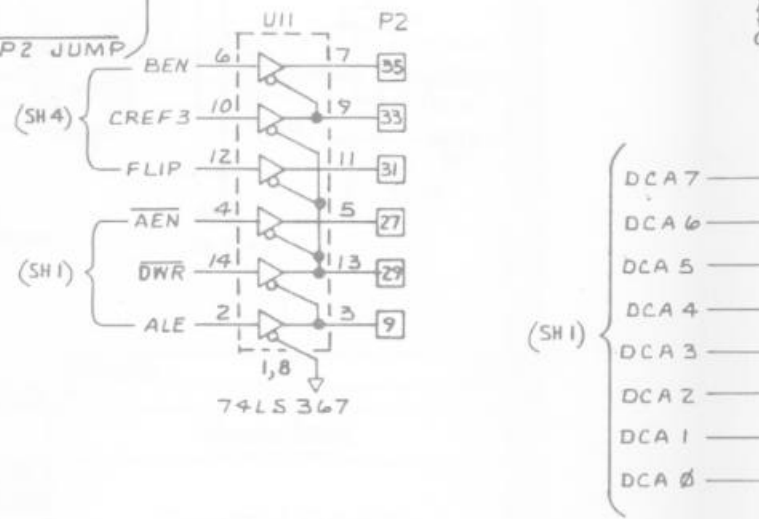
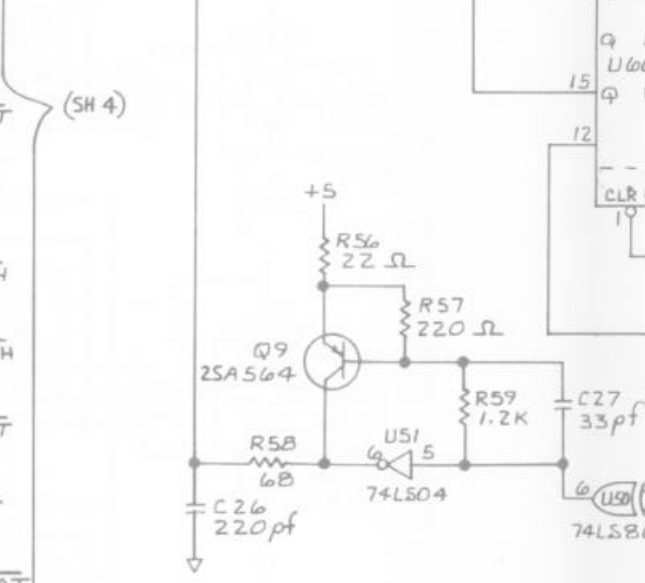
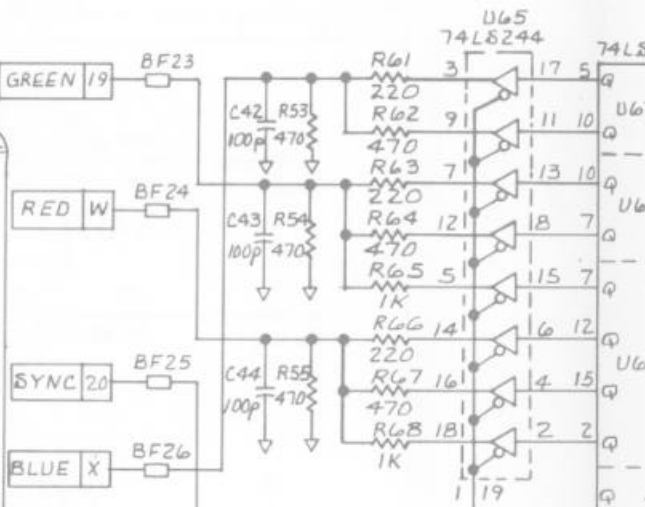
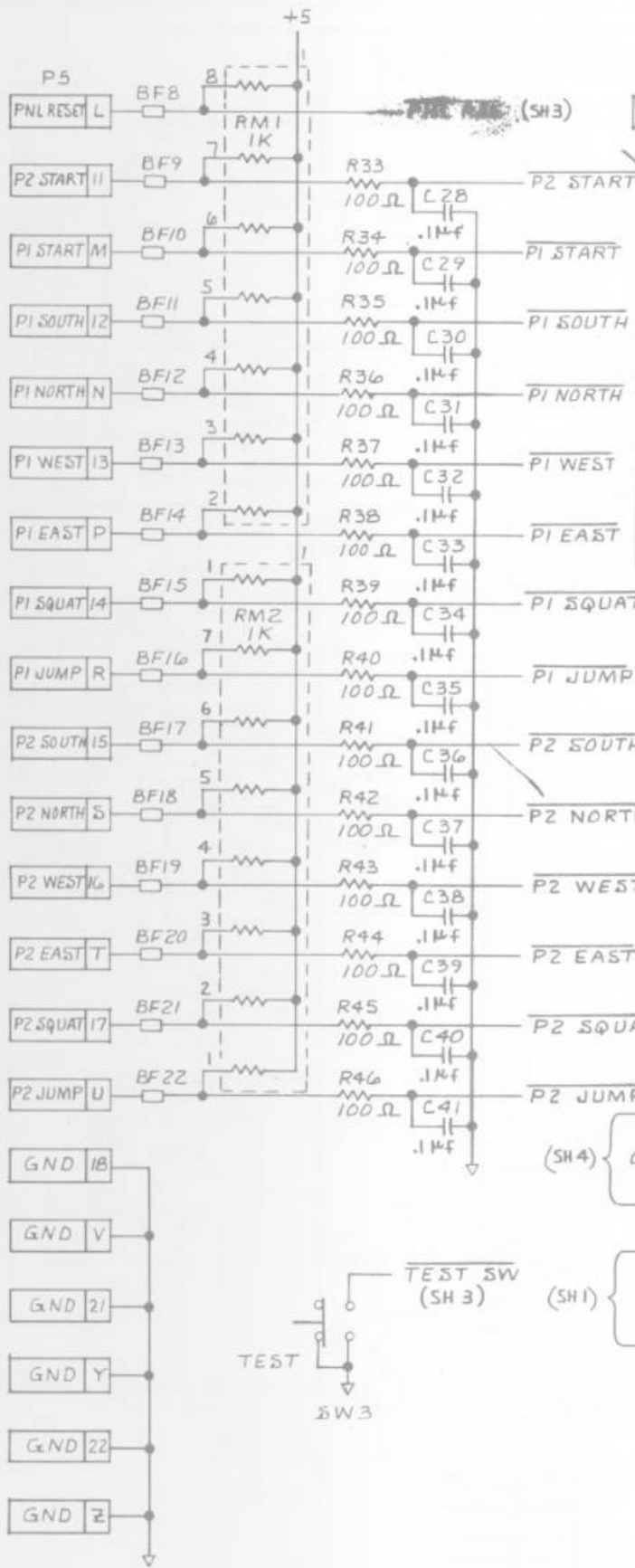
1

D

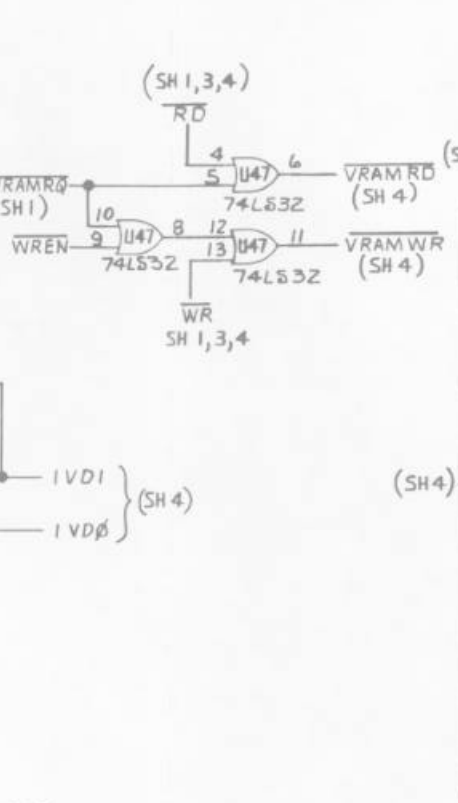
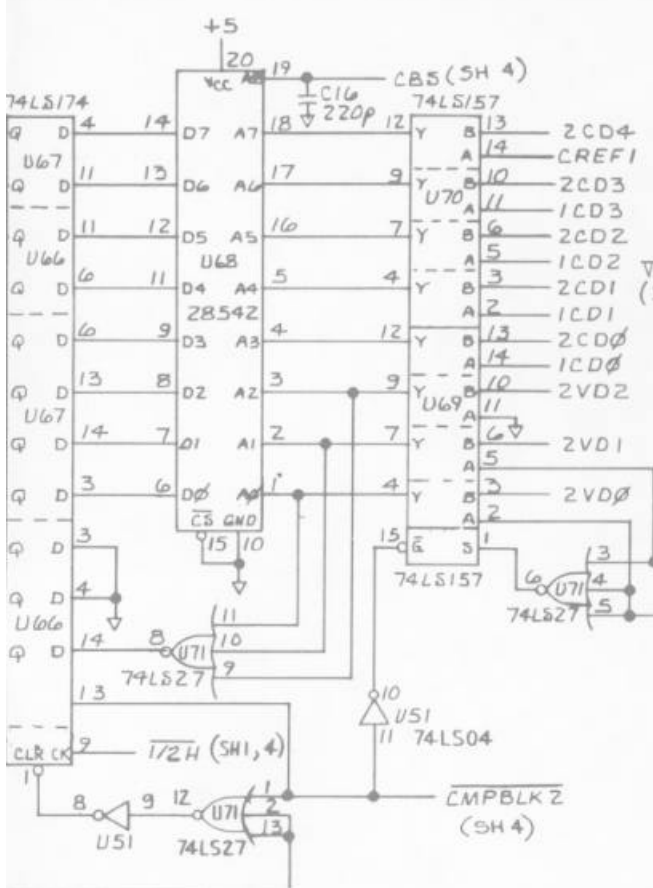
C

B

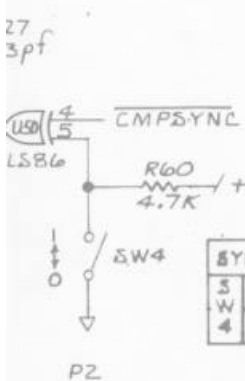
A



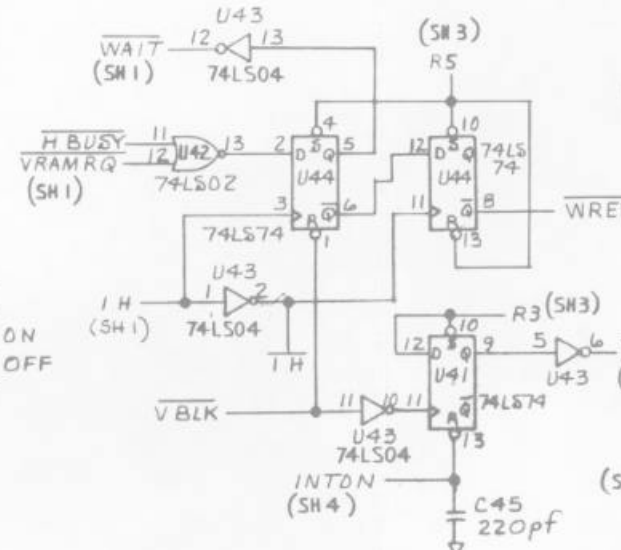
REVISIONS				
ZONE	LTR	DESCRIPTION	DATE	APPROVED
		SEE SHT 1		



P3	
HBSY	(1) HBSY
VBLK	(3) VBLK
(SH3) 64V	(13) 64V
(128VF)	(15) 128 VF
64VF	(16) 64 VF
32VF	(17) 32 VF
16VF	(18) 16 VF
8VF	(19) 8 VF
4VF	(20) 4 VF
2VF	(21) 2 VF
1VF	(22) 1 VF
	(25) 256 H
128 HF	(27) 128 HF
64 HF	(29) 64 HF
32 HF	(31) 32 HF
16 HF	(33) 16 HF
8 HF	(35) 8 HF
LD7	(5) LD7
(SH1) 1H	(9) 1H
(SH 1,4) 1/2H	(11) 1/2H
2CD4	(43) 2CD4
2CD3	(44) 2CD3
2CD2	(45) 2CD2
2CD1	(46) 2CD1
2CD0	(47) 2CD0
2VDZ	(48) 2VDZ
2VDI	(49) 2VDI
2VD0	(50) 2VD0
(SH4) CMPBLK	(7) CMPBLK
CMPSYNC	(41) CMPSYNC



SYNC POLARITY	
5	1 POSI
W	0 NEGA
4	



(SH1) 1H	(9) 1H
(SH 1,4) 1/2H	(11) 1/2H
2CD4	(43) 2CD4
2CD3	(44) 2CD3
2CD2	(45) 2CD2
2CD1	(46) 2CD1
2CD0	(47) 2CD0
2VDZ	(48) 2VDZ
2VDI	(49) 2VDI
2VD0	(50) 2VD0
(SH4) CMPBLK	(7) CMPBLK
CMPSYNC	(41) CMPSYNC

- PZ
- 1
- 2
- 3
- 4
- 5
- 6
- 7
- 8

QTY		CODE	PART OR IDENTIFYING NO.		NOMENCLATURE OR DESCRIPTION		ITEM NO.
PARTS LIST							
UNLESS OTHERWISE SPECIFIED DIMENSIONS ARE IN INCHES TOLERANCES ARE: FRACTIONS    DECIMALS    ANGLES ±                XX ±                ±				CONTRACT NO.			
MATERIAL				APPROVALS		DATE	
FINISH				DRAWN		3-31-25	
NEXT ASSY				CHECKED			
USED ON				MECH			
APPLICATION				ELEC			
DO NOT SCALE DRAWING				MPG		SIZE	
				PROJECT		CODE IDENT NO	
				SCALE NONE		DRAWING NO	
				SHEET 2 OF		834-5166	
						REV	

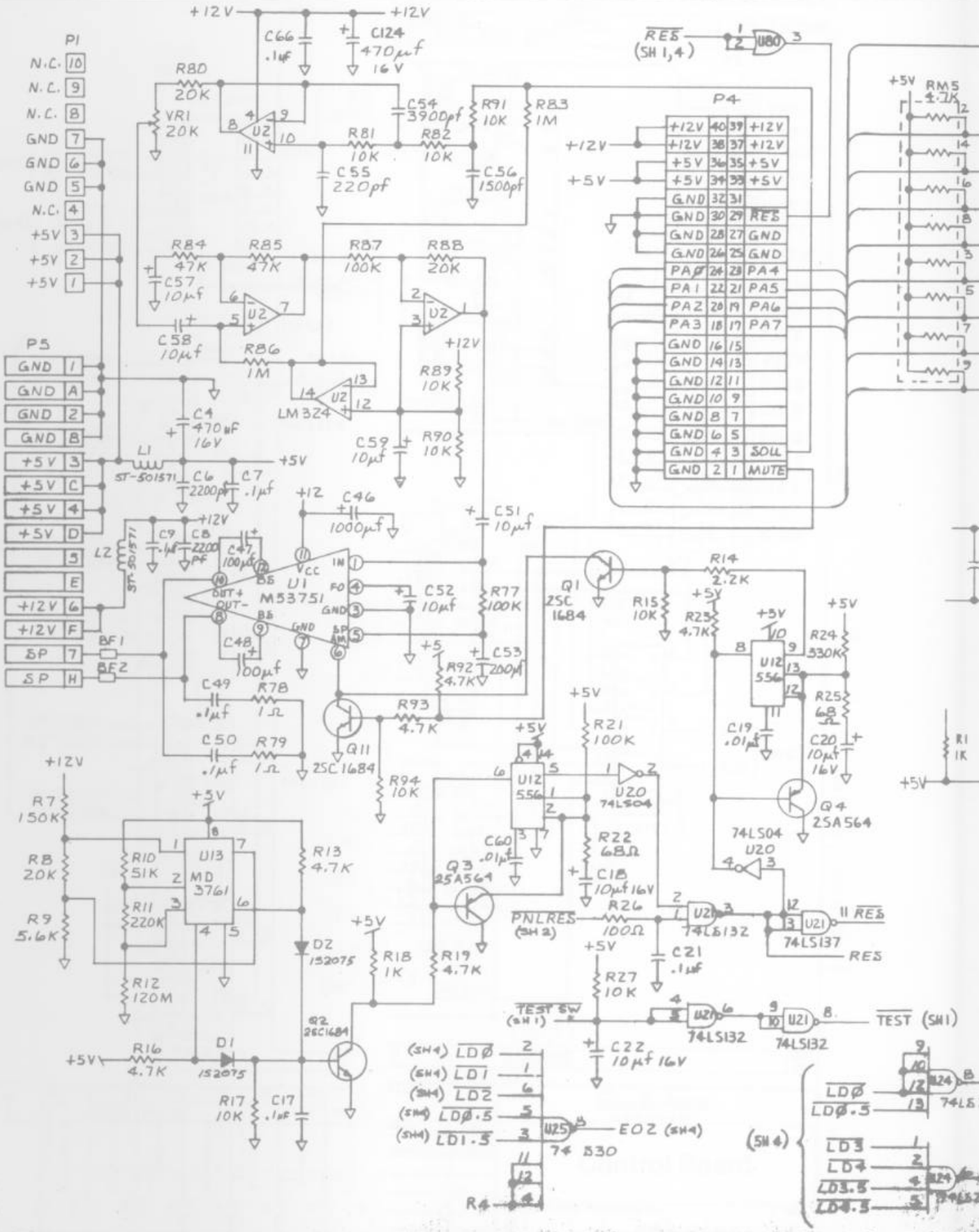
1605-5166 A B

8

7

6

5



- P1
- N.C. 10
  - N.C. 9
  - N.C. 8
  - GND 7
  - GND 6
  - GND 5
  - N.C. 4
  - +5V 3
  - +5V 2
  - +5V 1

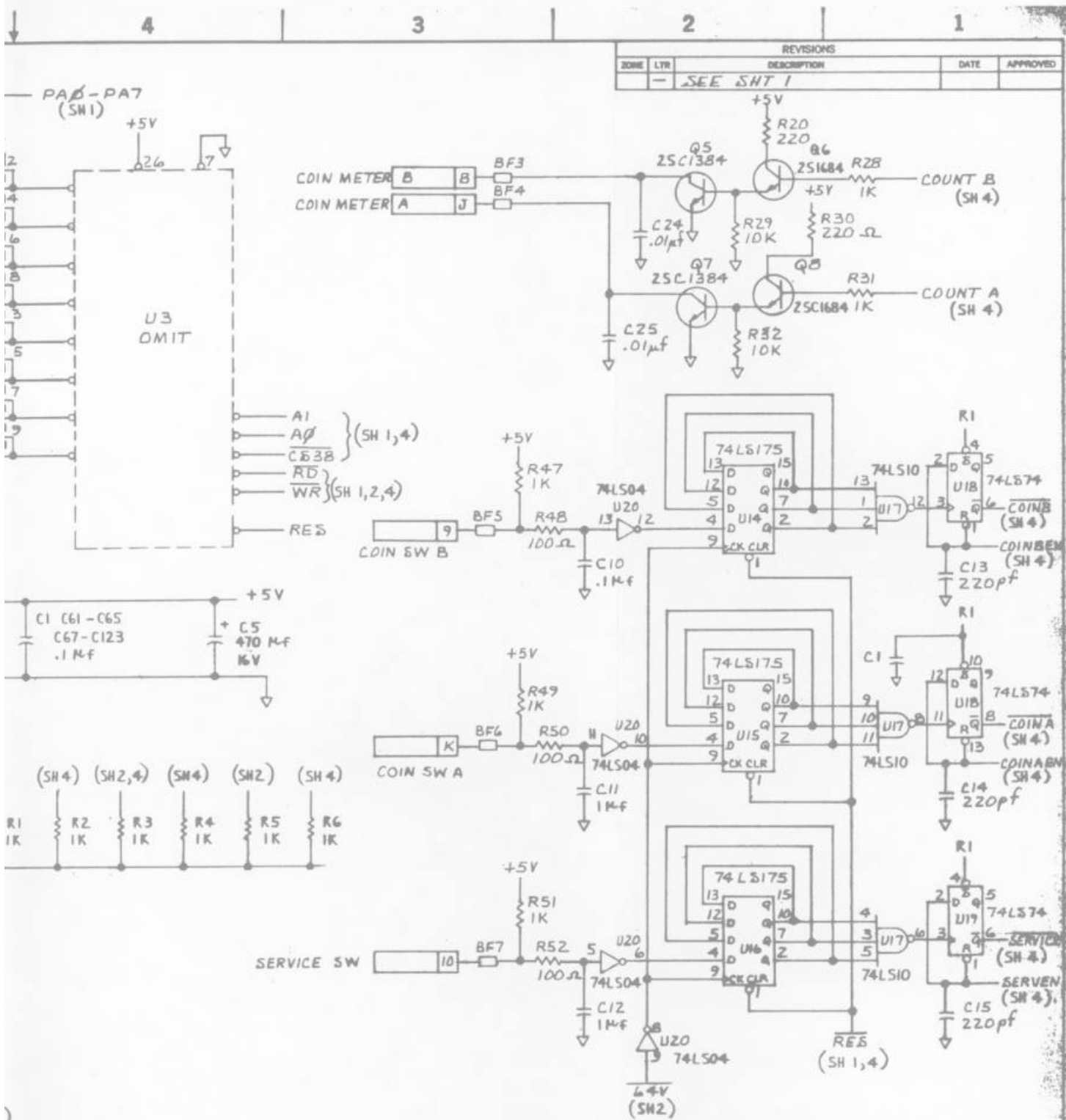
- P5
- GND 1
  - GND A
  - GND 2
  - GND B
  - +5V 3
  - +5V C
  - +5V 4
  - +5V D
  - 5
  - E
  - +12V 6
  - +12V F
  - SP 7
  - SP H

P4

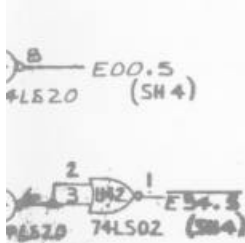
+12V	40	39	+12V
+12V	38	37	+12V
+5V	36	35	+5V
+5V	34	33	+5V
GND	32	31	
GND	30	29	RES
GND	28	27	GND
GND	26	25	GND
PA7	24	23	PA4
PA1	22	21	PAS
PA2	20	19	PAG
PA3	18	17	PA7
GND	16	15	
GND	14	13	
GND	12	11	
GND	10	9	
GND	8	7	
GND	6	5	
GND	4	3	SOIL
GND	2	1	MUTE

- (SH4) LD0 2
- (SH4) LD1 1
- (SH4) LD2 6
- (SH4) LD0.5 5
- (SH4) LD1.5 3
- U25
- EO2 (SH4)
- 74LS30

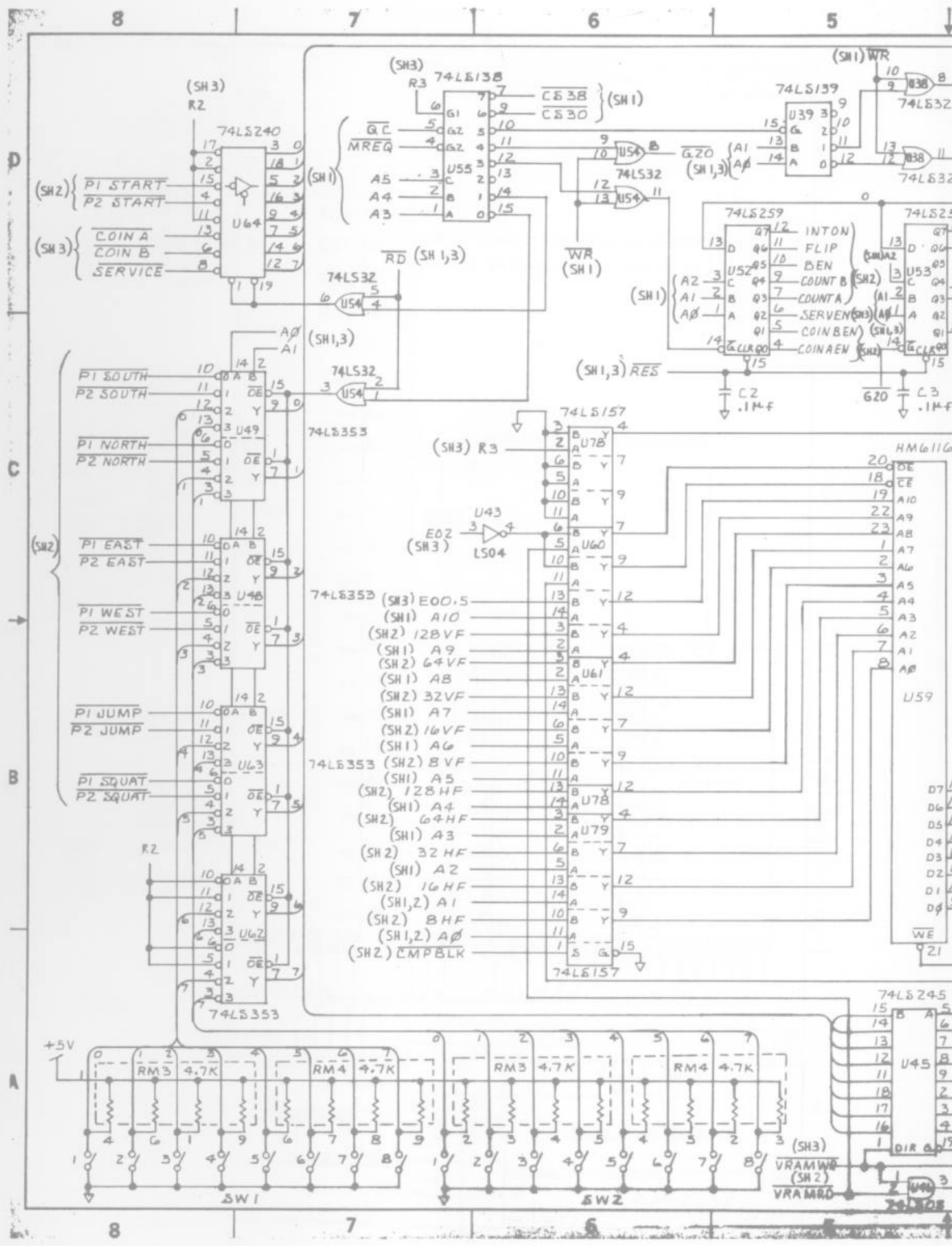
- (SH4)
- LD3 1
  - LD4 2
  - LD3.5 4
  - LD4.5 5



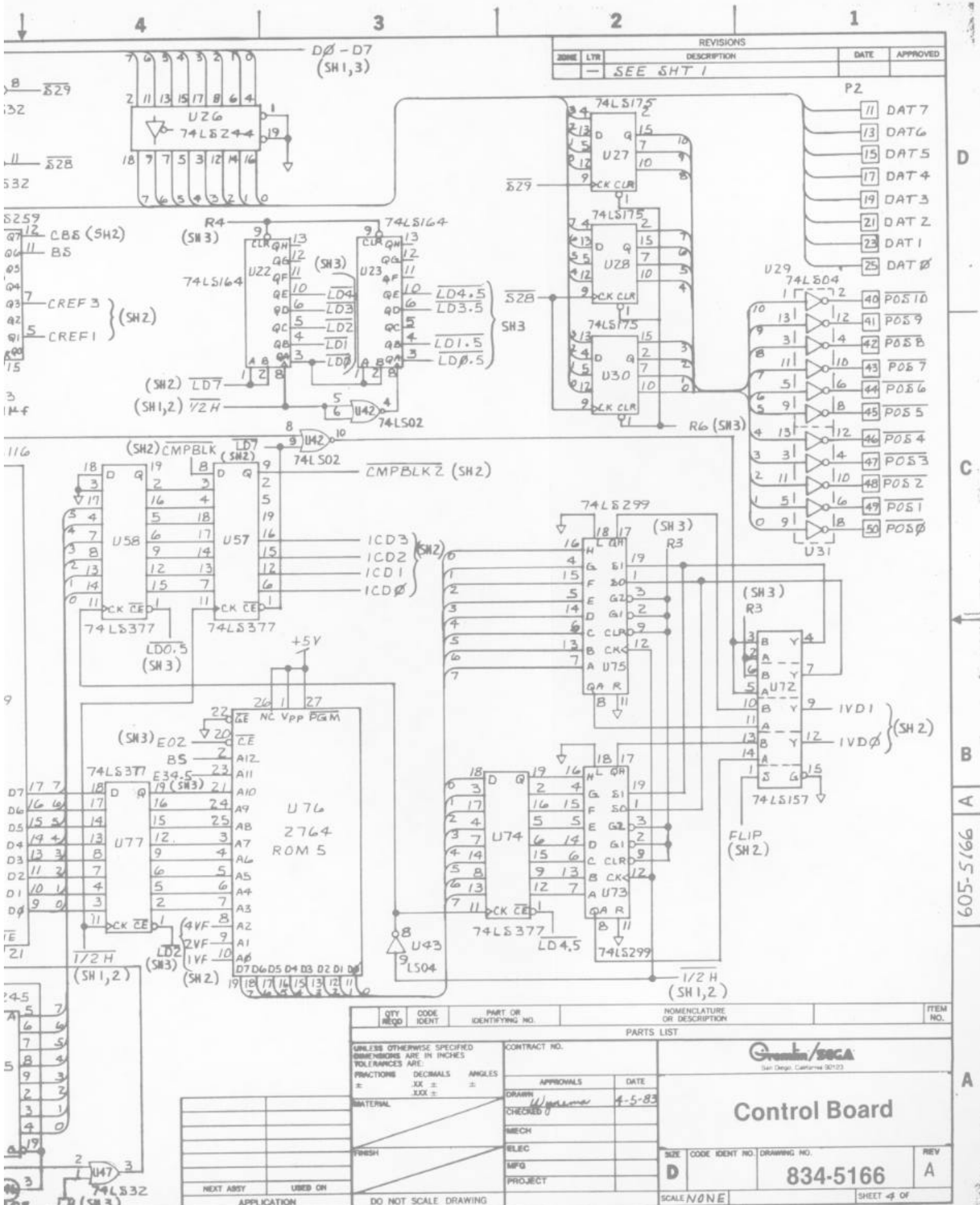
REVISIONS				
ZONE	LTR	DESCRIPTION	DATE	APPROVED
-	-	SEE SHT 1		



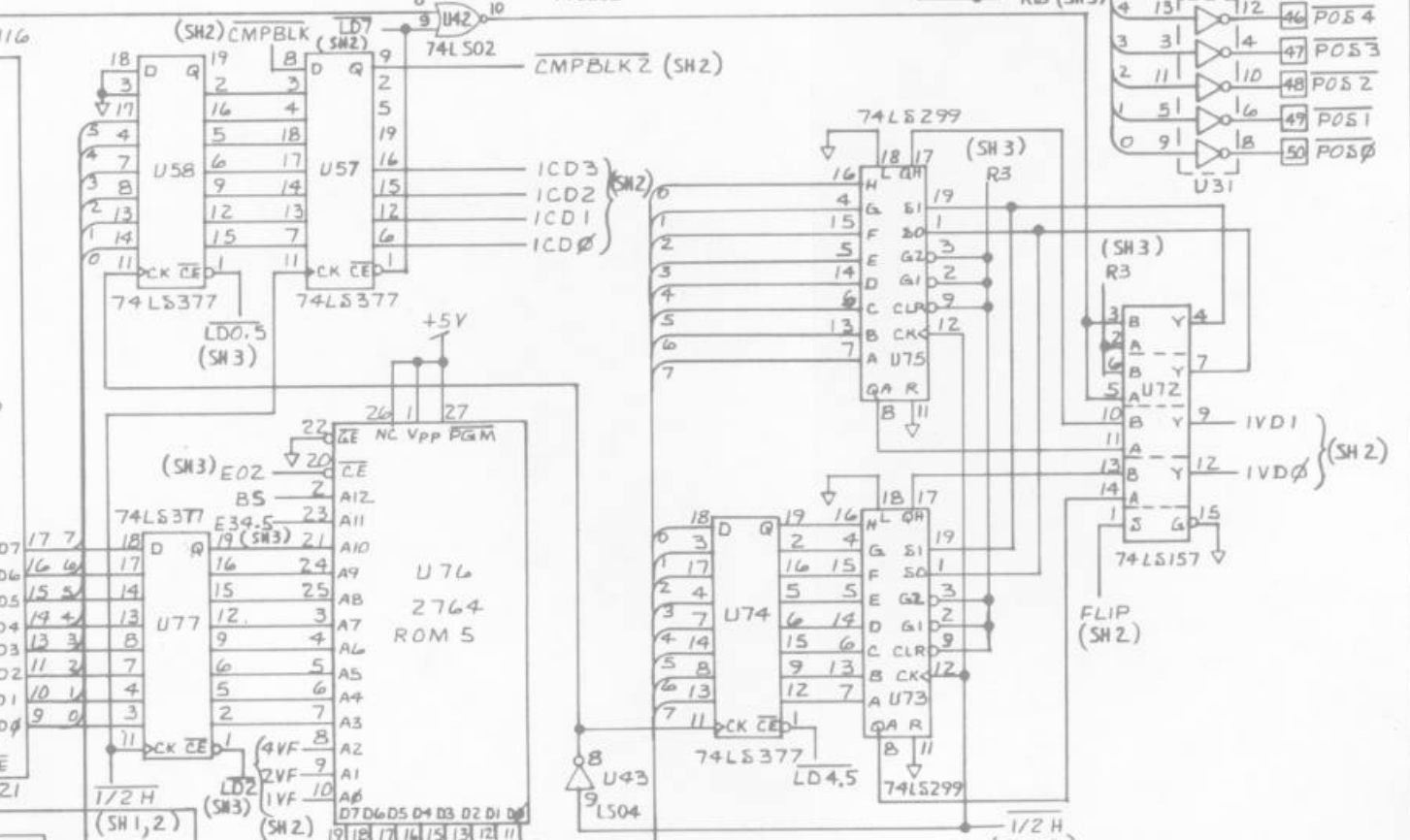
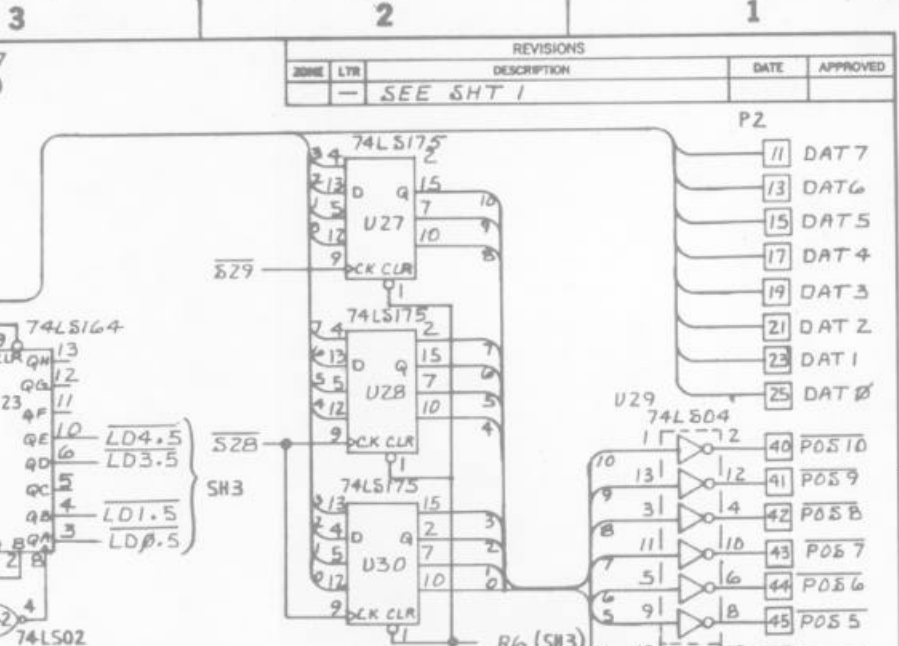
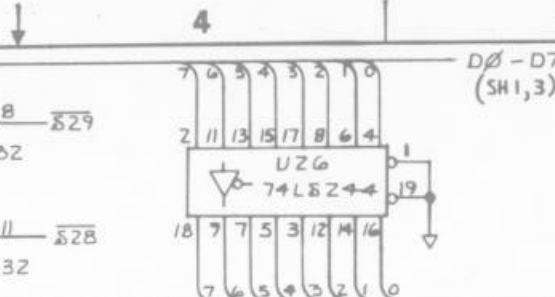
QTY	CODE	PART OR IDENTIFYING NO.	NOMENCLATURE OR DESCRIPTION	ITEM NO.
PARTS LIST				
UNLESS OTHERWISE SPECIFIED		CONTRACT NO.		
DIMENSIONS ARE IN INCHES		APPROVALS		
TOLERANCES ARE:		DATE		
FRACTIONS	DECIMALS	ANGLES		
±	±	±		
		834-5166		







REVISIONS				
ZONE	LTR	DESCRIPTION	DATE	APPROVED
		SEE SHT 1		



QTY REQD	CODE IDENT	PART OR IDENTIFYING NO.	NOMENCLATURE OR DESCRIPTION	ITEM NO.

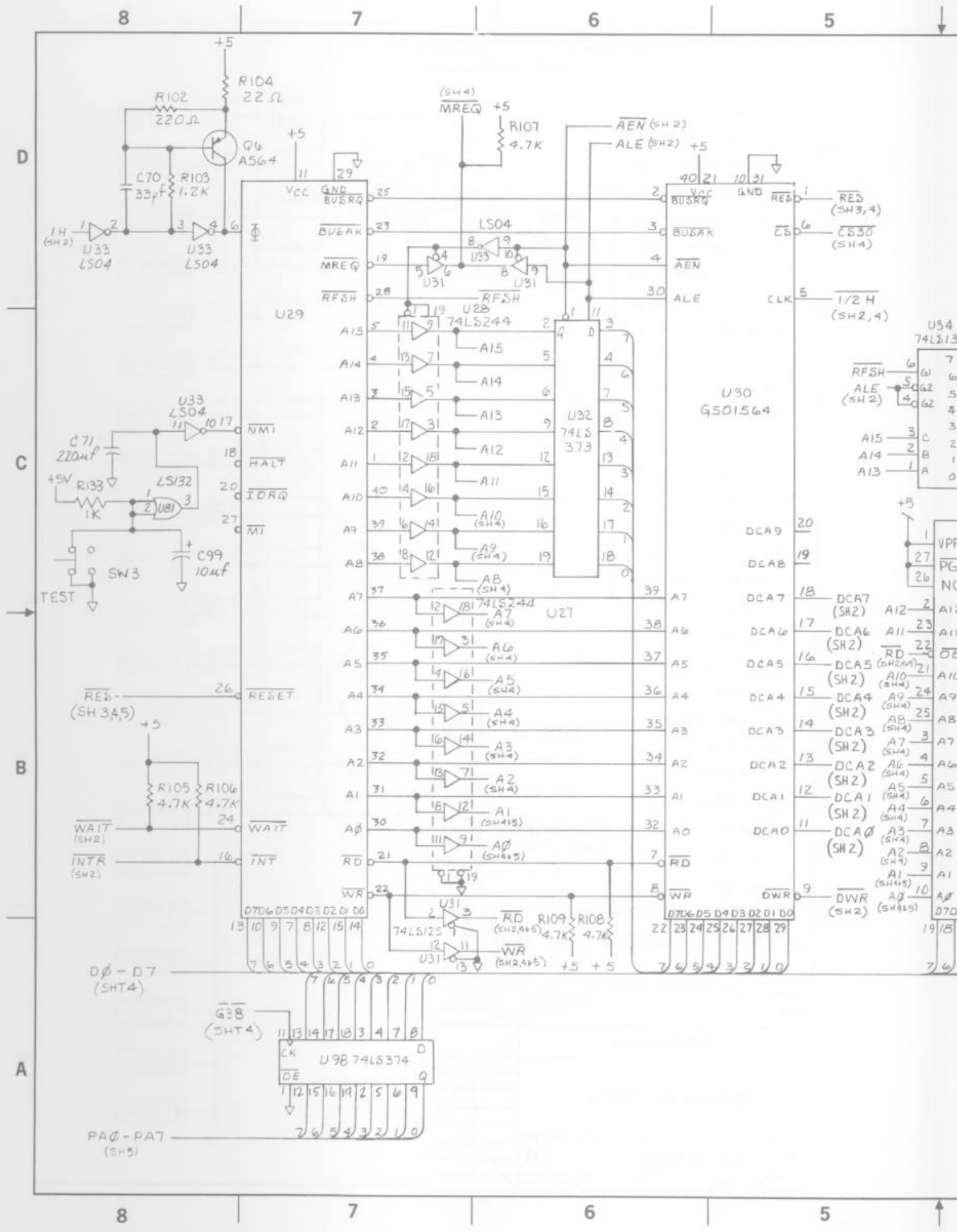
  

PARTS LIST	
UNLESS OTHERWISE SPECIFIED DIMENSIONS ARE IN INCHES. TOLERANCES ARE:	CONTRACT NO.
FRACTIONS          DECIMALS          ANGLES	APPROVALS          DATE
±                                  ±                                  ±	DRAWN          CHECKED          4-5-83
	MATERIAL
	FINISH
	NEXT ASSY          USED ON
	APPLICATION

<b>Control Board</b>	
SIZE <b>D</b>	CODE IDENT NO. <b>834-5166</b>
DRAWING NO.	REV <b>A</b>
SCALE <b>NONE</b> SHEET 4 OF 4	

D  
C  
B  
A  
605-5166  
A



D

C

B

A

8

7

6

5

8

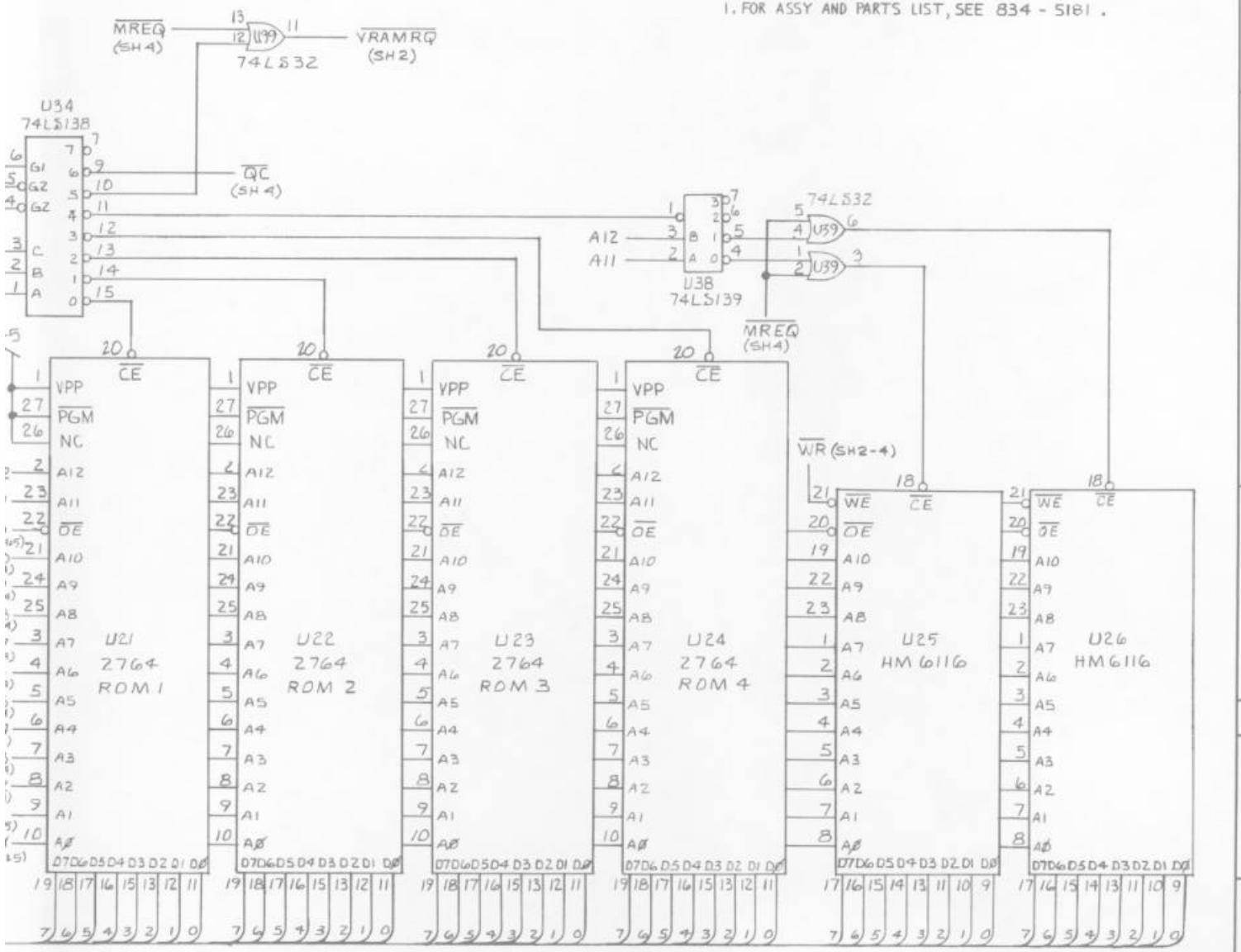
7

6

5

4						3			2			1	
A	A	A	A	A	A	REV	REV	STATUS	REVISIONS			DATE	APPROVED
6	5	4	3	2	1	SH	OF	SHEETS	ZONE	LTR	DESCRIPTION		
									A		RELEASED		

NOTES: (UNLESS OTHERWISE SPECIFIED)  
 1. FOR ASSY AND PARTS LIST, SEE 834 - 5181.



QTY REQD	CODE IDENT	PART OR IDENTIFYING NO.	NOMENCLATURE OR DESCRIPTION	ITEM NO.
PARTS LIST				
UNLESS OTHERWISE SPECIFIED DIMENSIONS ARE IN INCHES TOLERANCES ARE: FRACTIONS    DECIMALS    ANGLES ±                    ±                    ±		CONTRACT NO.	<b>Gremlin/SIGA</b> <small>San Diego, California 92103</small>	
MATERIAL	FINISH	APPROVALS DRAWN: [Signature] CHECKED: [Signature] MECH: [Signature]	DATE 4-27-83 5-11-83	<b>Control Board</b>
NEXT ASSY	USED ON	ELEC	MFG	
APPLICATION	DO NOT SCALE DRAWING	PROJECT	SCALE: NONE	
			SIZE: D    CODE IDENT NO.: 834-5212    DRAWING NO.: 834-5212    REV: A	SHEET 1 OF 6

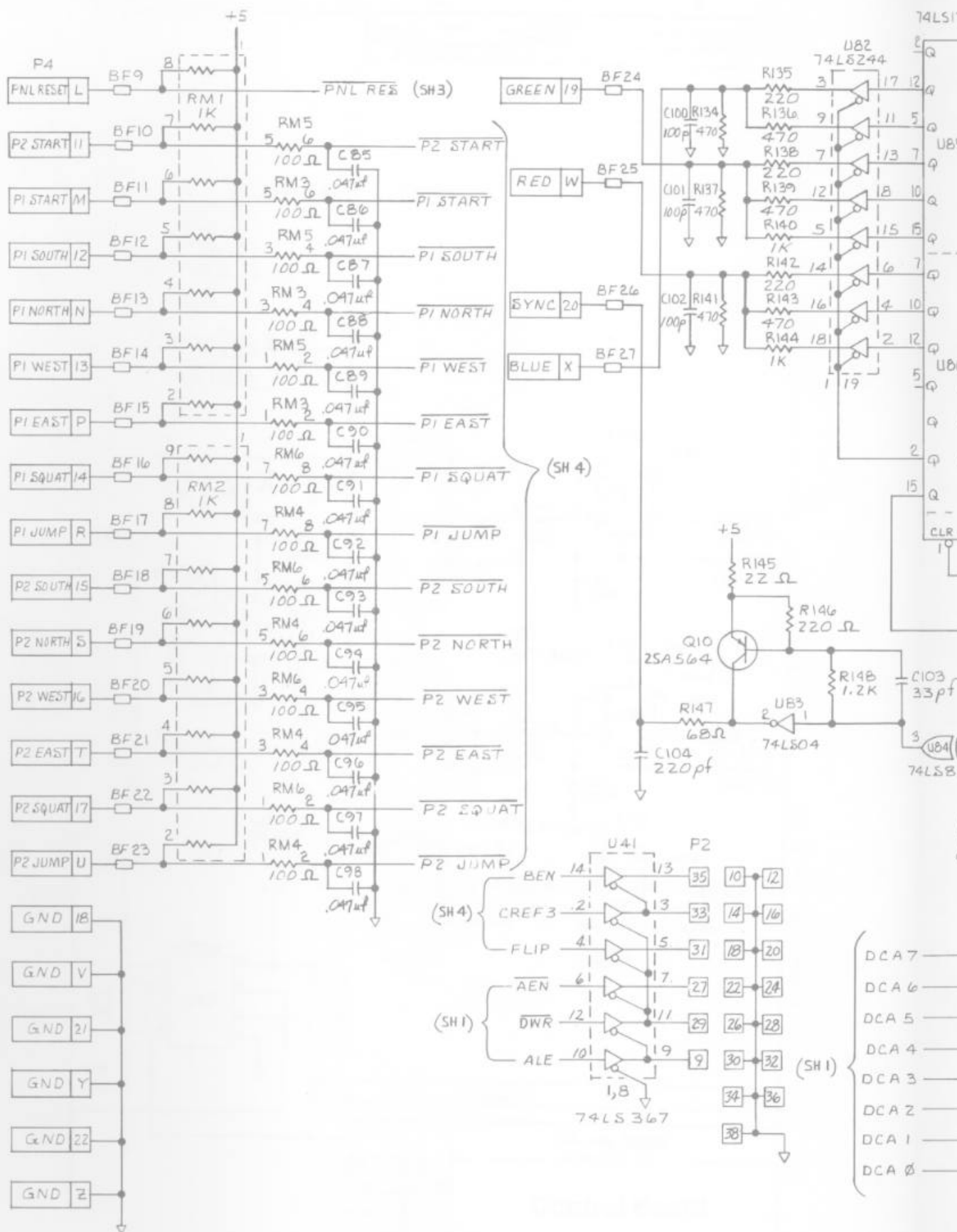
D  
C  
B  
A  
605-5181

D

C

B

A



74LS175

U82

74LS244

U83

U84

74LS175

U84

74LS175

U84

74LS175

U84

74LS175

U84

74LS175

U84

74LS175

U84

74LS175

U84

74LS175

U84

74LS175

U84

74LS175

U84

74LS175

U84

74LS175

U84

74LS175

U84

74LS175

U84

74LS175

U84



8

7

6

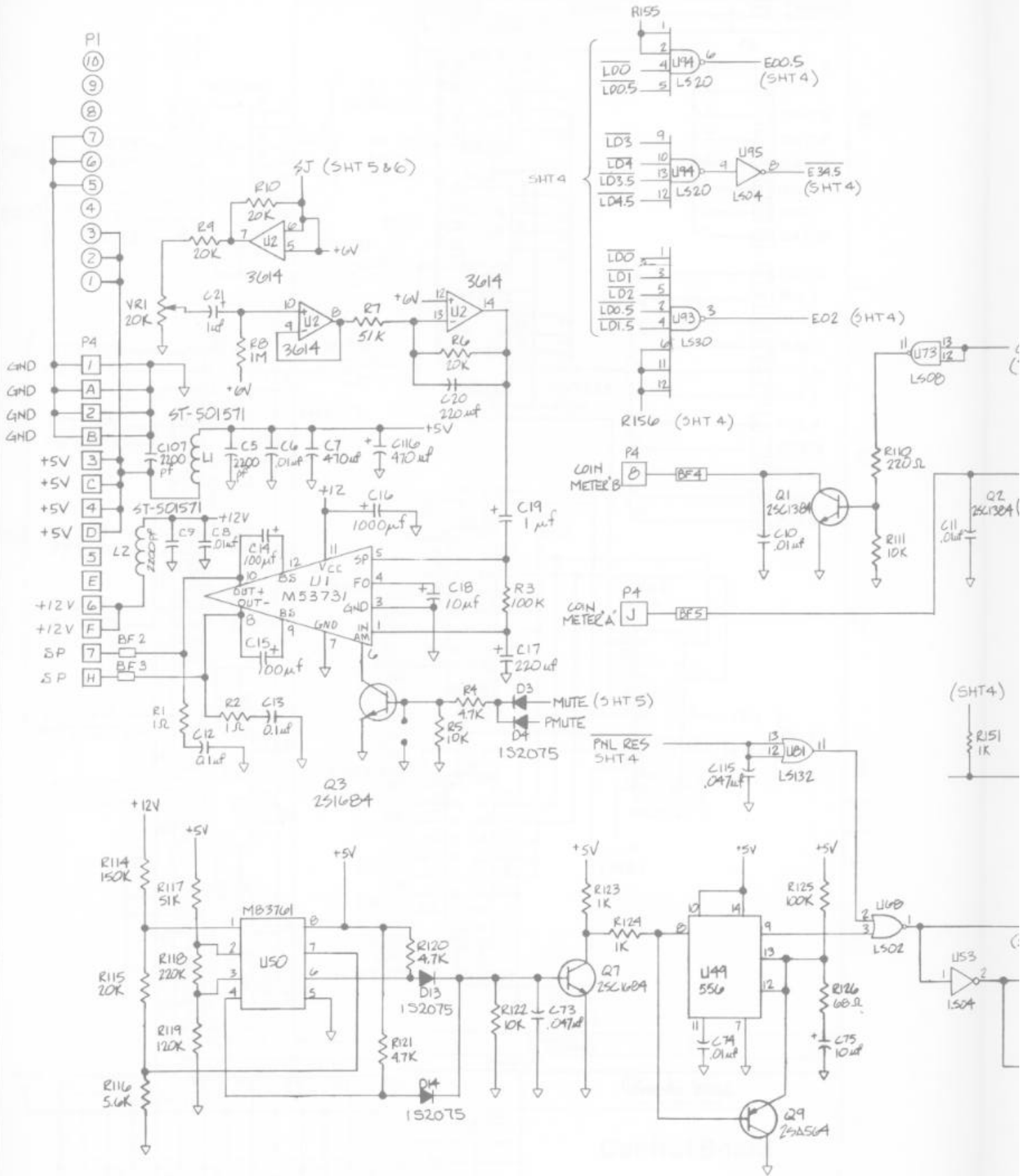
5

D

C

B

A



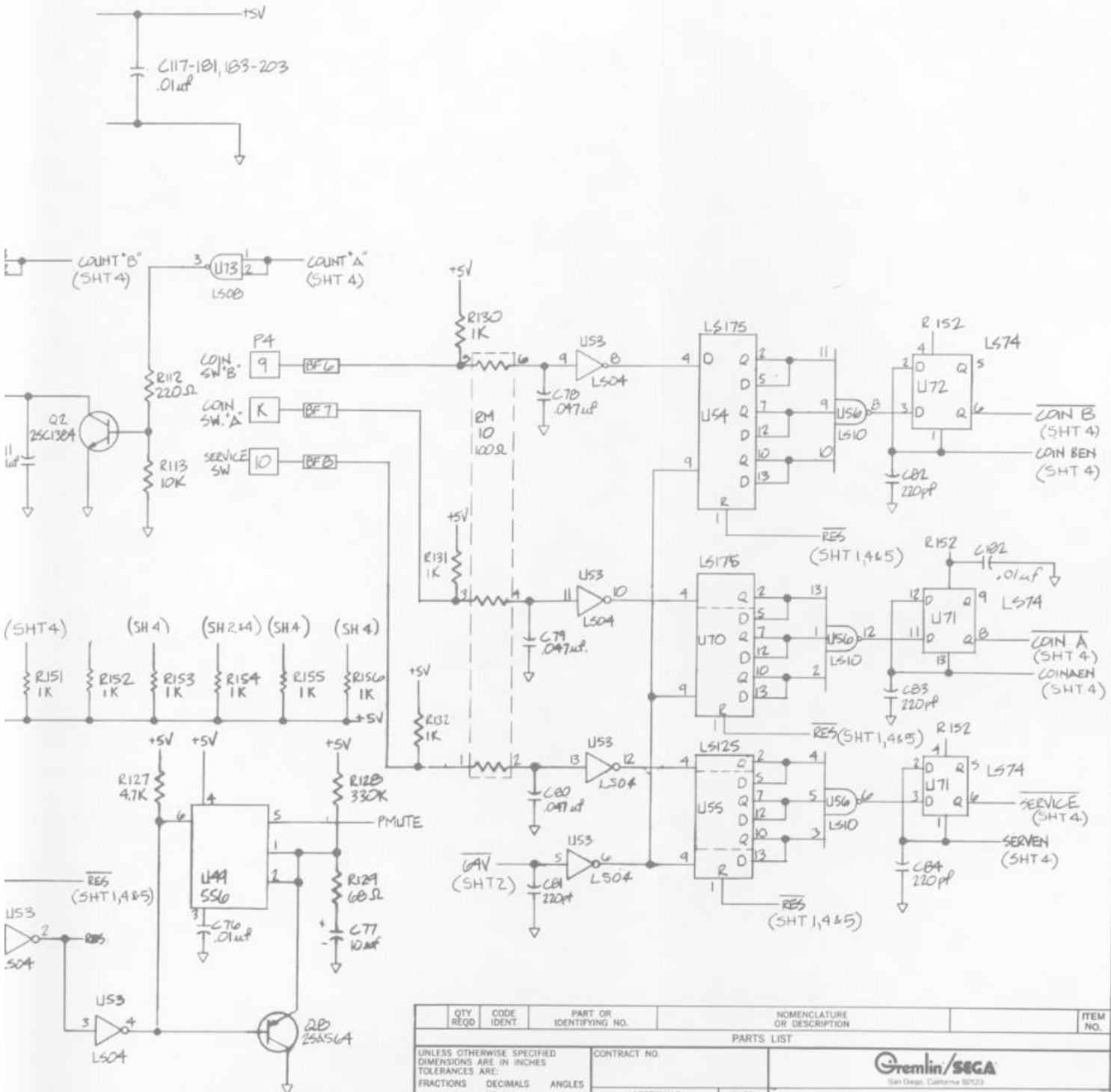
8

7

6

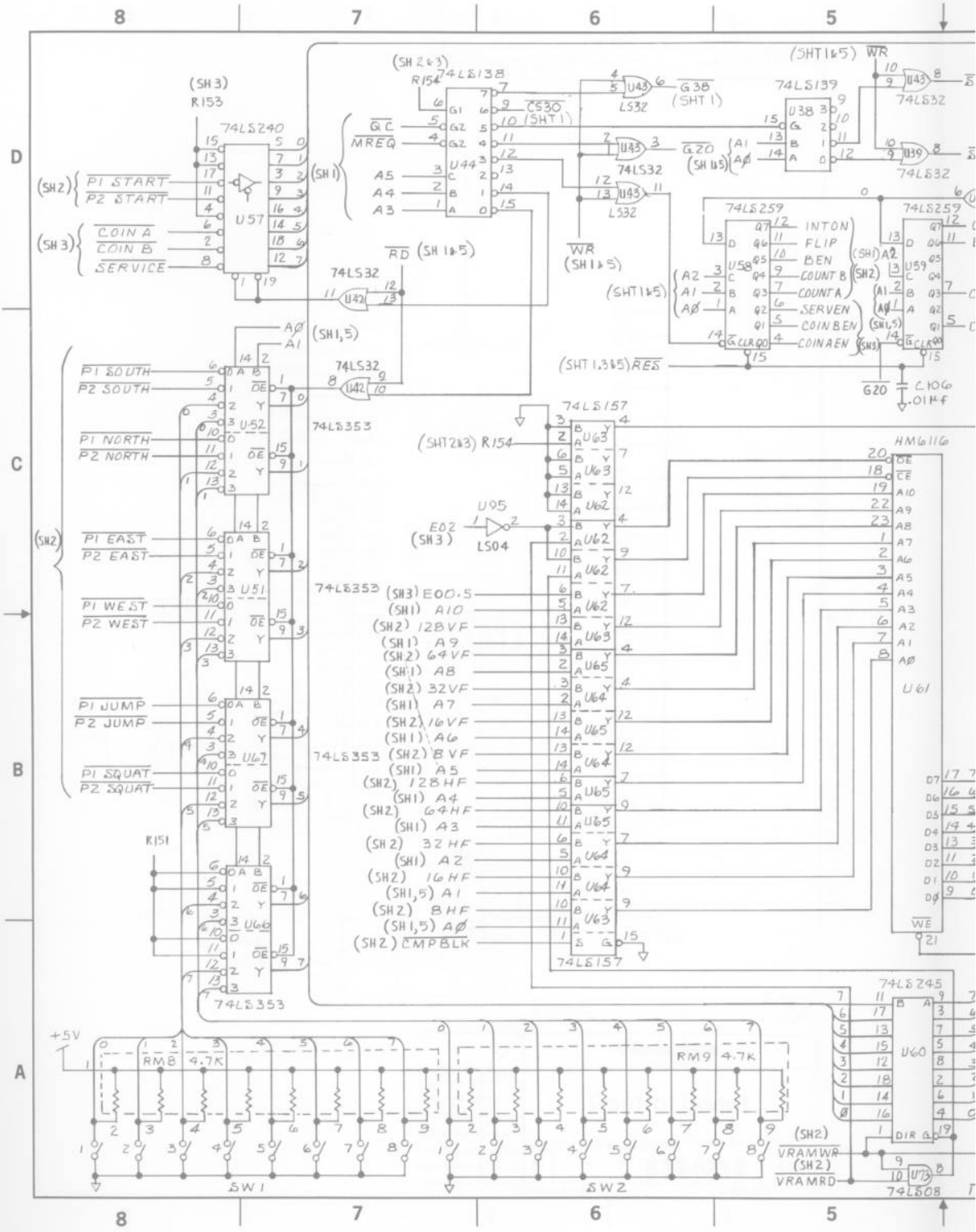
5

REVISIONS				
ZONE	LTR	DESCRIPTION	DATE	APPROVED
	-	SEE SHT 1		

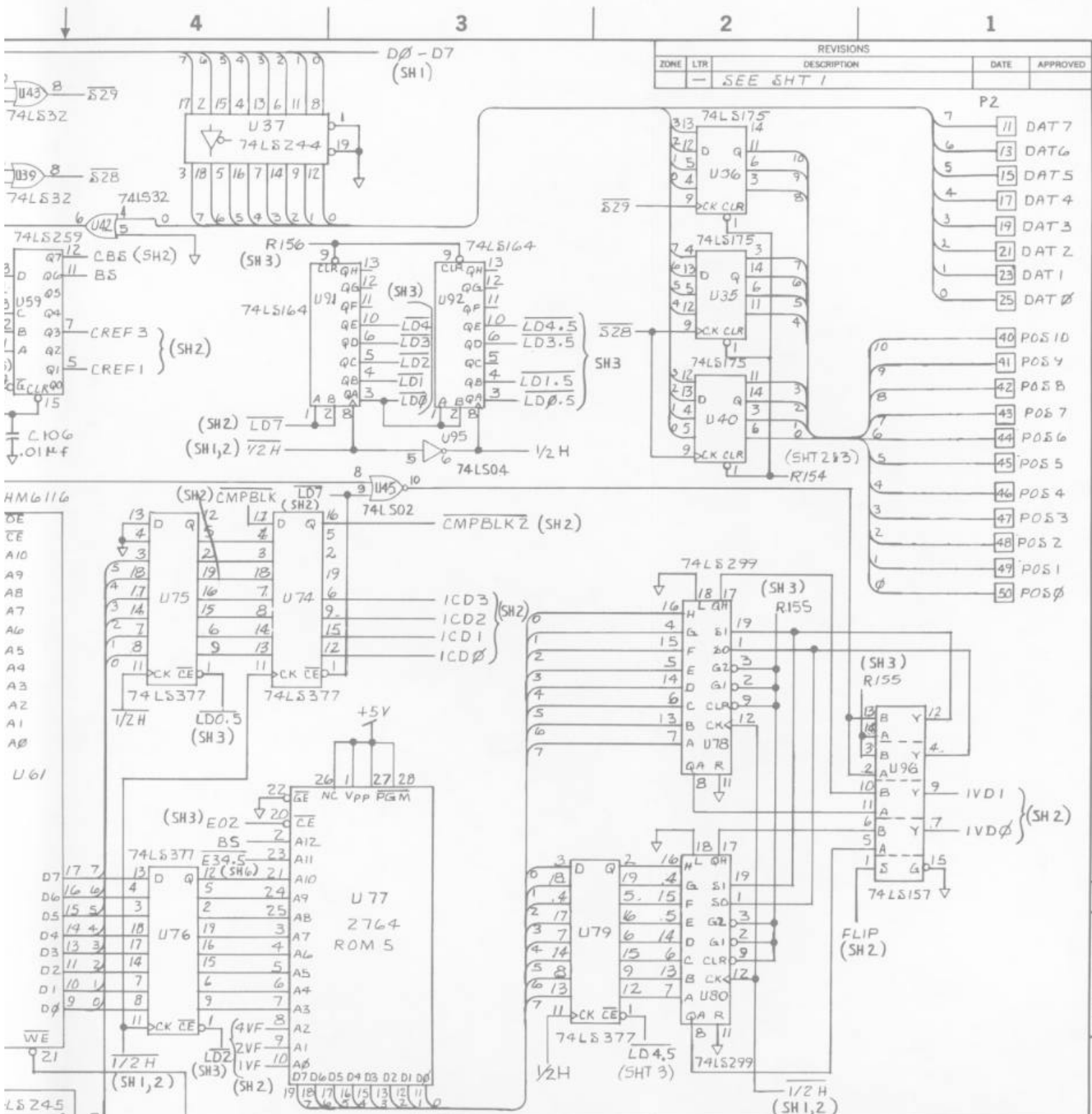


QTY REQD	CODE IDENT	PART OR IDENTIFYING NO.	NOMENCLATURE OR DESCRIPTION	ITEM NO.
PARTS LIST				
UNLESS OTHERWISE SPECIFIED DIMENSIONS ARE IN INCHES TOLERANCES ARE:			 San Diego, California 92122	
FRACTIONS	DECIMALS	ANGLES		
±	.XX ±	±	<b>Control Board</b>	
	.XXX ±			
MATERIAL		CONTRACT NO.		<b>834-5212</b>
FINISH		APPROVALS		
NEXT ASSY		DRAWN		<b>A</b>
USED ON		CHECKED		
APPLICATION		MECH		
DO NOT SCALE DRAWING		ELEC		
		MFG		
		PROJECT		
		SIZE		<b>D</b>
		CODE IDENT NO.		
		DRAWING NO.		
		REV		
		SCALE		<b>NONE</b>
		SHEET		<b>3 OF</b>

D  
 C  
 B  
 A  
 834-5101







REVISIONS				
ZONE	LTR	DESCRIPTION	DATE	APPROVED
		SEE SHT 1		

- P2
- 11 DAT 7
  - 13 DAT 6
  - 15 DAT 5
  - 17 DAT 4
  - 19 DAT 3
  - 21 DAT 2
  - 23 DAT 1
  - 25 DAT 0
- 
- 40 POS 10
  - 41 POS 9
  - 42 POS 8
  - 43 POS 7
  - 44 POS 6
  - 45 POS 5
  - 46 POS 4
  - 47 POS 3
  - 48 POS 2
  - 49 POS 1
  - 50 POS 0

QTY	RECD	CODE	PART OR IDENTIFYING NO.	NOMENCLATURE OR DESCRIPTION	ITEM NO.
PARTS LIST					
UNLESS OTHERWISE SPECIFIED DIMENSIONS ARE IN INCHES TOLERANCES ARE:			CONTRACT NO.		
FRACTIONS	DECIMALS	ANGLES	APPROVALS		DATE
±	±	±			
MATERIAL			DRAWN		
FINISH			CHECKED		
NEXT ASSY			MECH		
USED ON			ELEC		
APPLICATION			MFG		
DO NOT SCALE DRAWING			PROJECT		
SIZE				CODE IDENT NO. DRAWING NO.	REV
D				834-5212	A
SCALE NONE				SHEET 4 OF	

**Gremlin/SEGA**  
San Diego, California 92103

## Control Board

D  
C  
B  
A  
605-5/81

8

7

6

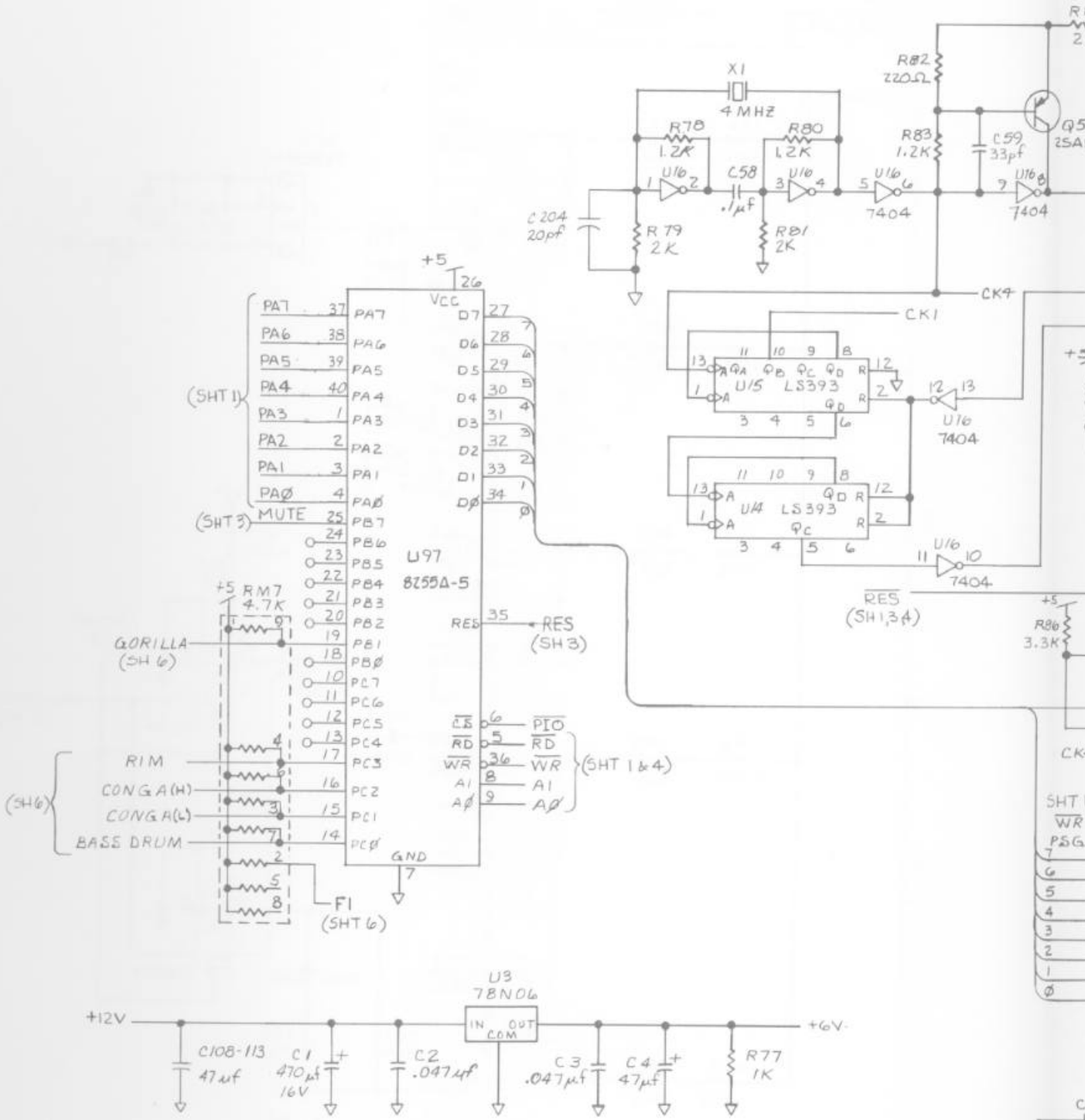
5

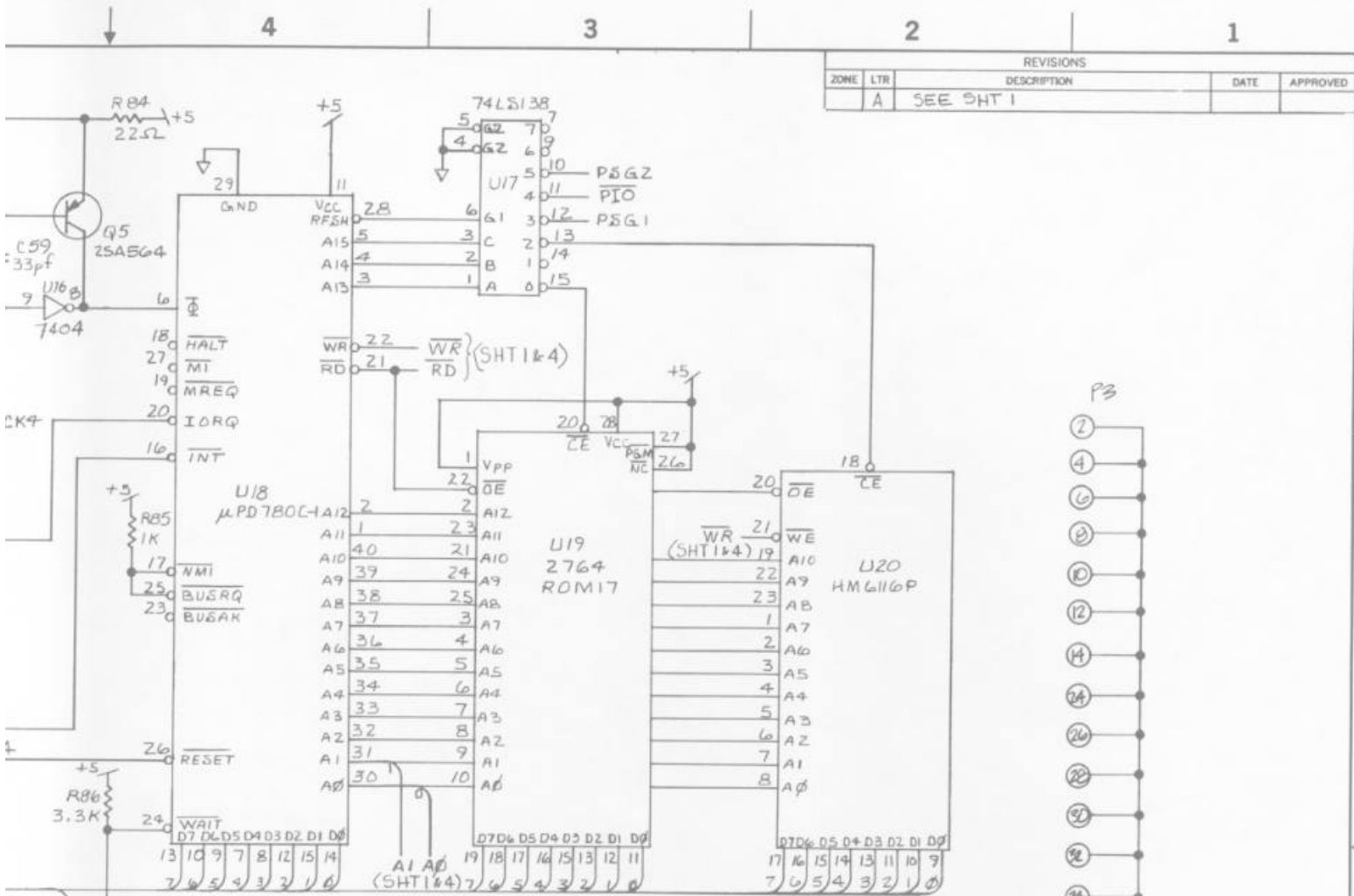
D

C

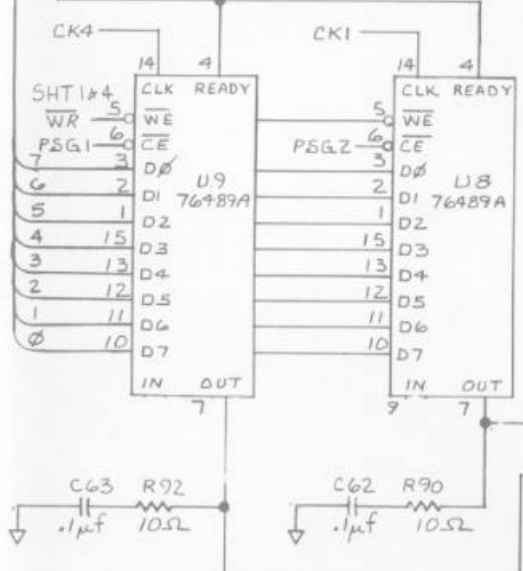
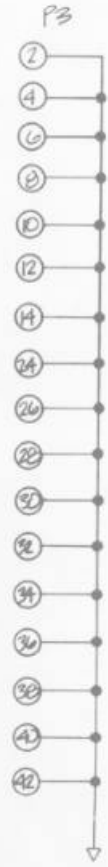
B

A





REVISIONS				
ZONE	LTR	DESCRIPTION	DATE	APPROVED
A		SEE SHT 1		



QTY REQD	CODE IDENT	PART OR IDENTIFYING NO.	NOMENCLATURE OR DESCRIPTION	ITEM NO.
PARTS LIST				
UNLESS OTHERWISE SPECIFIED DIMENSIONS ARE IN INCHES TOLERANCES ARE:		CONTRACT NO.		
FRACTIONS	DECIMALS	ANGLES	APPROVALS	DATE
±	±	±		
MATERIAL		DRAWN		
FINISH		CHECKED		
NEXT ASSY		MECH		
USED ON		ELEC		
APPLICATION		MFG		
DO NOT SCALE DRAWING		PROJECT		
		<b>Control Board</b>		
SIZE	CODE IDENT NO.	DRAWING NO.	REV	
D		834-5212	A	
SCALE NONE		SHEET 5 OF		

D  
C  
B  
A  
605-5181

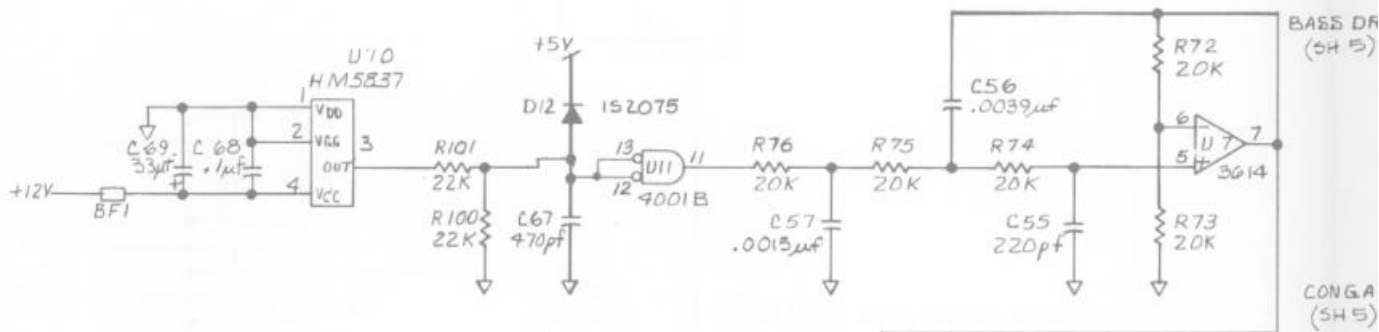
8

7

6

5

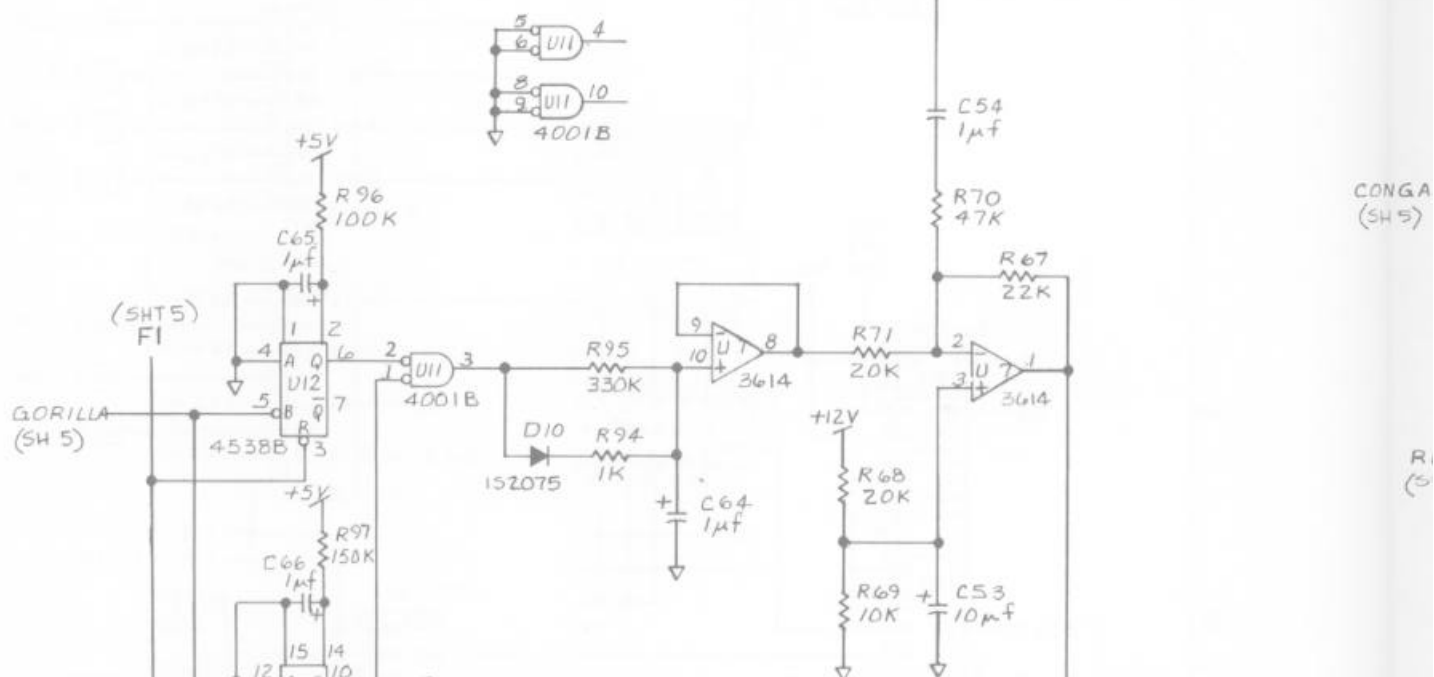
D



BASS DR (SH 5)

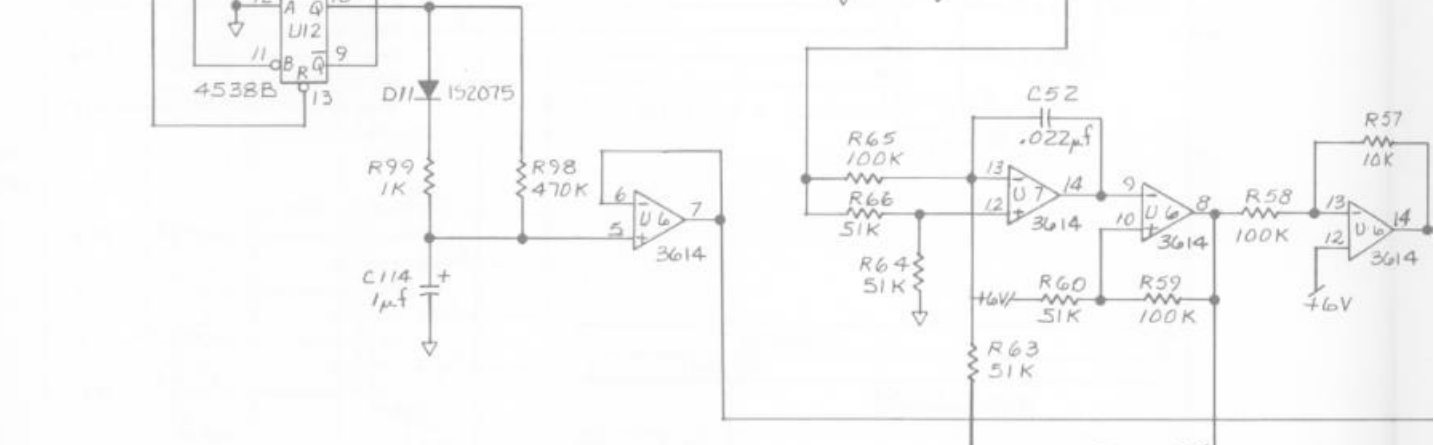
CONGA (SH 5)

C



CONGA (SH 5)

B



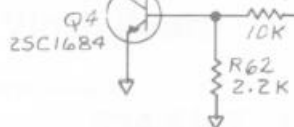
A

8

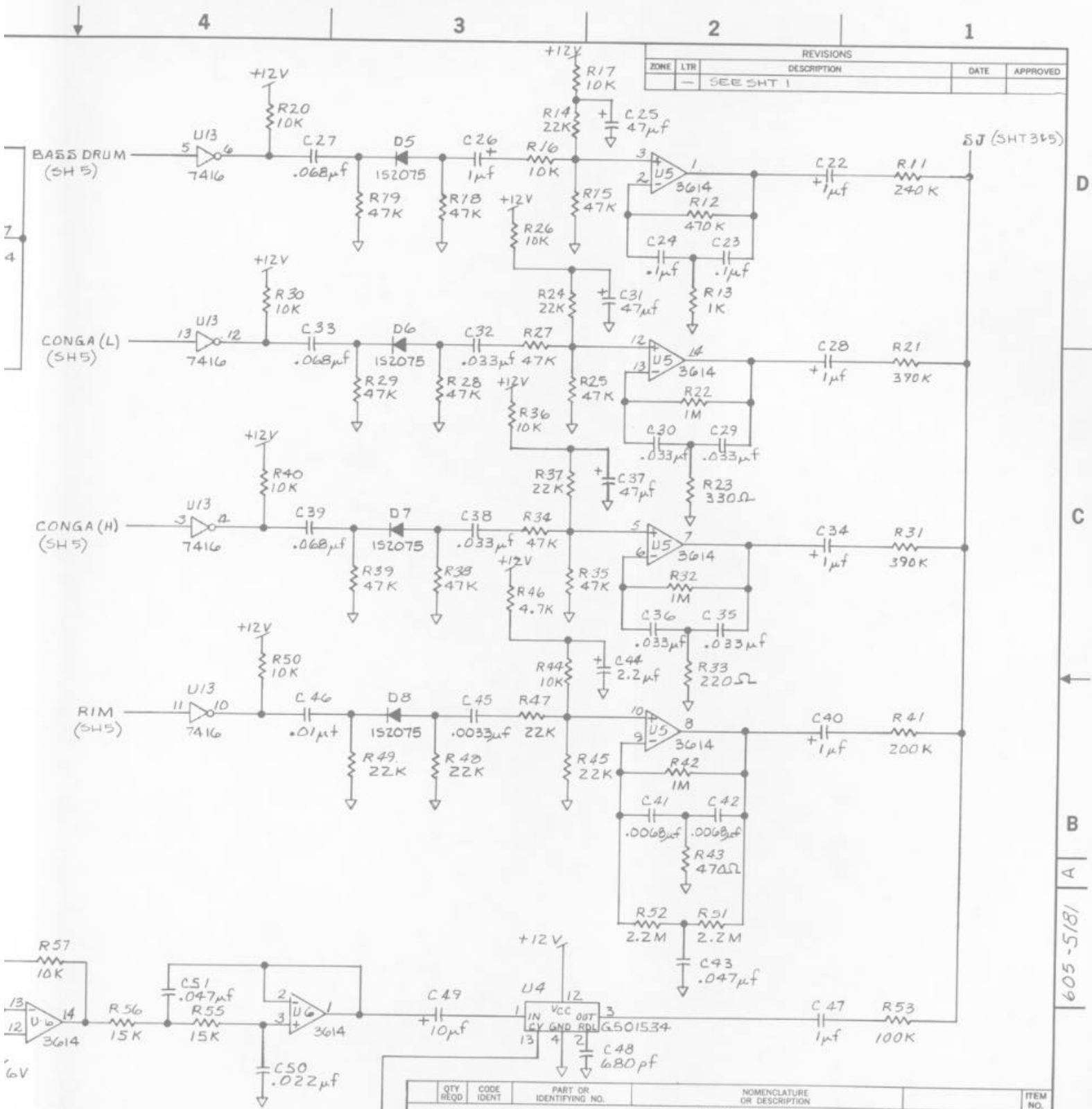
7

6

5



R (5)



REVISIONS				
ZONE	LTR	DESCRIPTION	DATE	APPROVED
-	-	SEE SHT 1		

QTY REQD	CODE IDENT	PART OR IDENTIFYING NO.	NOMENCLATURE OR DESCRIPTION	ITEM NO.
PARTS LIST				
UNLESS OTHERWISE SPECIFIED DIMENSIONS ARE IN INCHES TOLERANCES ARE:				
FRACTIONS	DECIMALS	ANGLES		
±	.XX ±	±		
MATERIAL				
FINISH				
NEXT ASSY				
USED IN				
APPLICATION				
DO NOT SCALE DRAWING				

**Gremlin/SEGA**  
San Diego, California 92122

**Control Board**

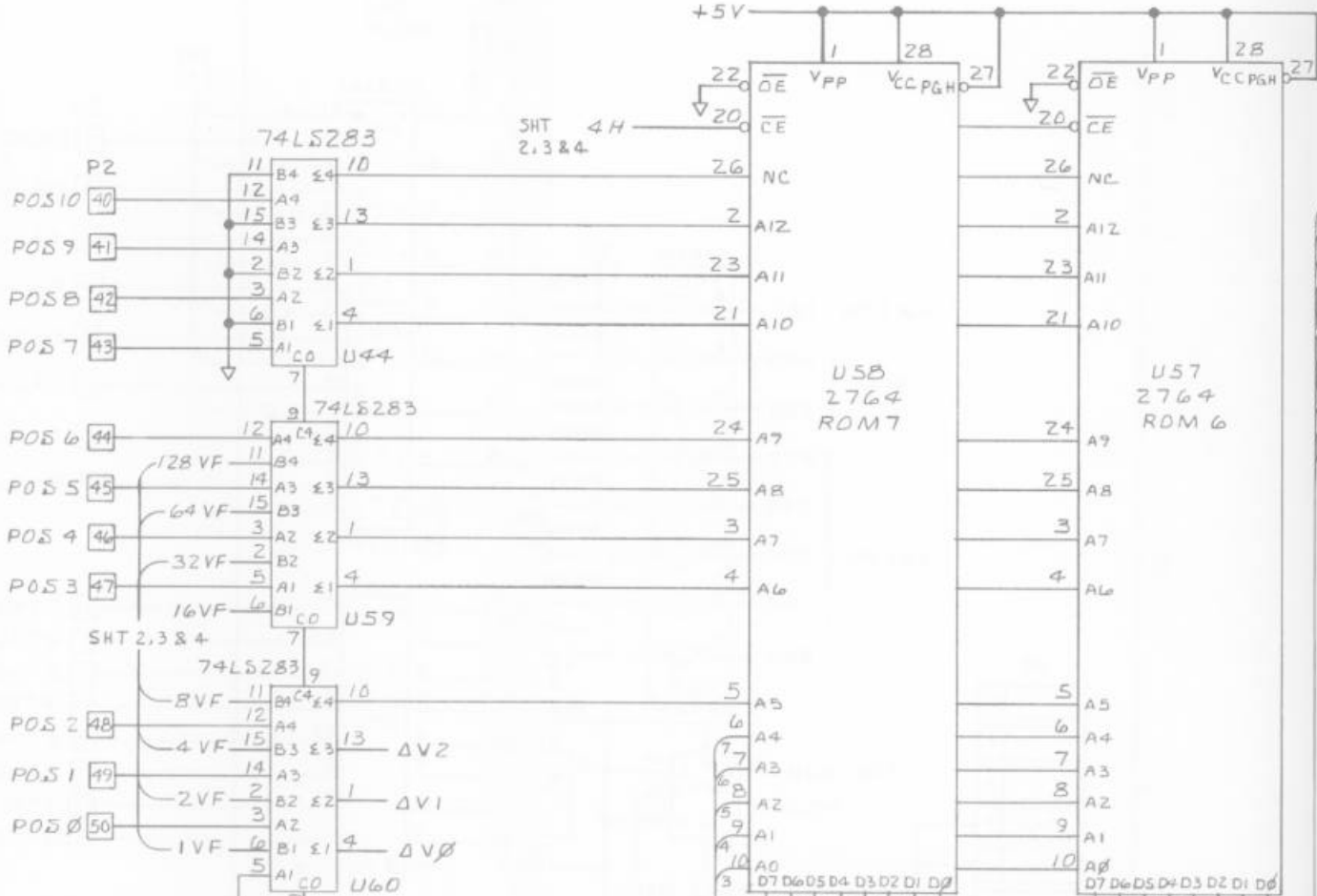
SIZE	CODE IDENT NO.	DRAWING NO.	REV
D		834-5212	A

SHEET 6 OF

605-5181

8 7 6 5

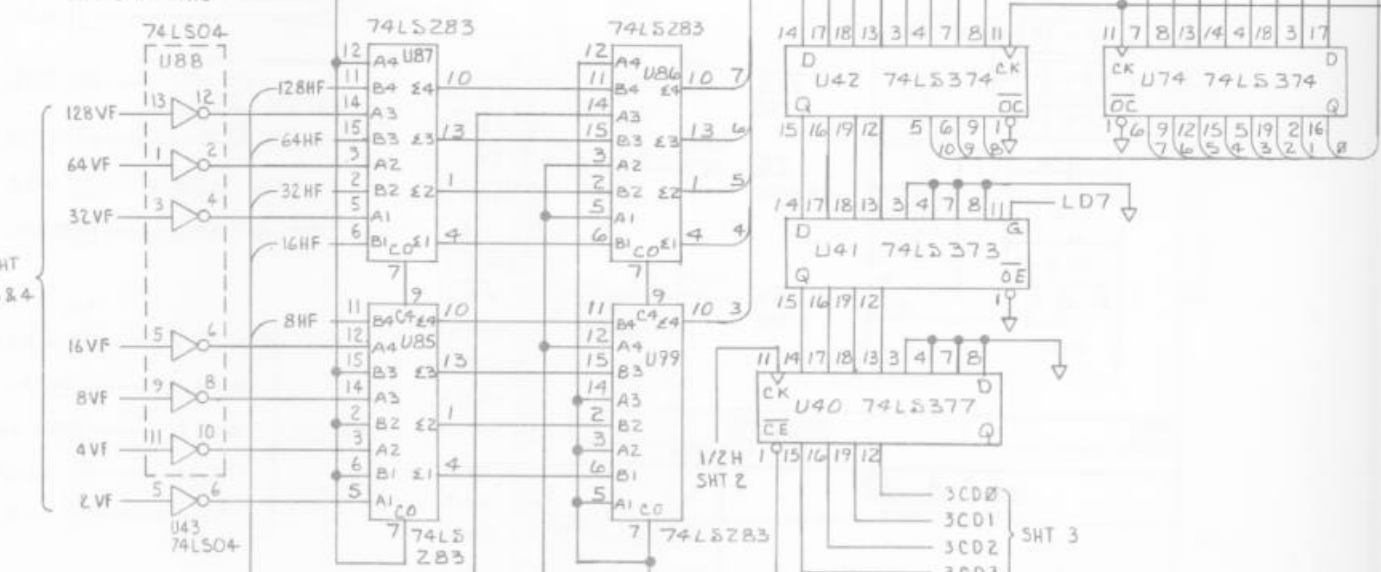
D



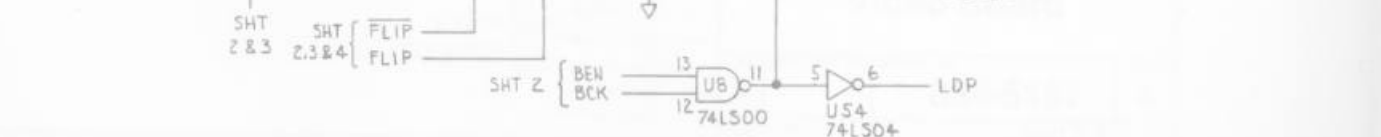
C



B

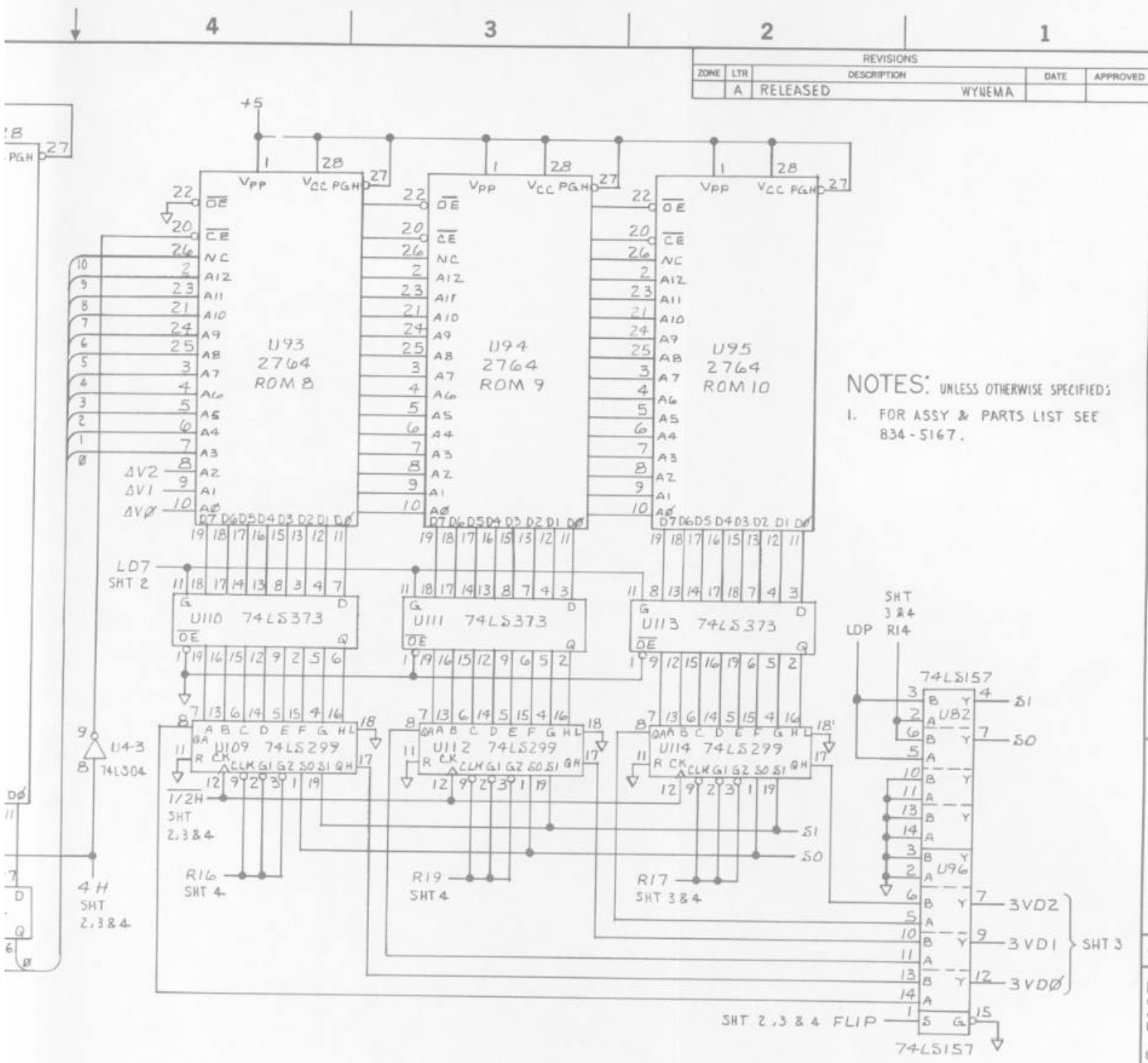


A



8 7 6 5

REVISIONS					
ZONE	LTR	DESCRIPTION	DATE	APPROVED	
A	RELEASED			WYNEMA	



NOTES: UNLESS OTHERWISE SPECIFIED;  
 1. FOR ASSY & PARTS LIST SEE 834-5167.

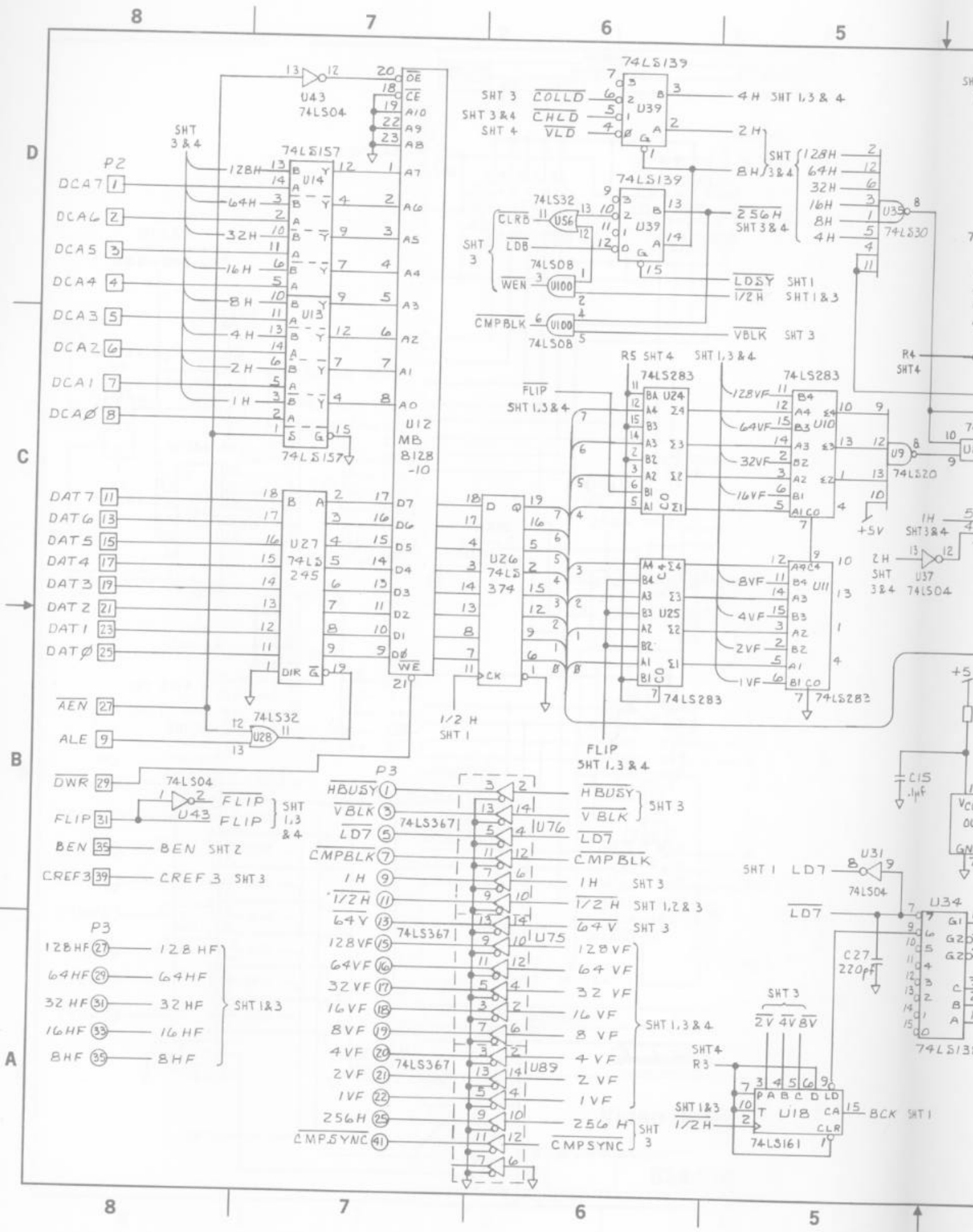
D  
C  
B  
A  
605-5167

QTY REQD	CODE IDENT	PART OR IDENTIFYING NO.	NOMENCLATURE OR DESCRIPTION	ITEM NO.
PARTS LIST				
UNLESS OTHERWISE SPECIFIED DIMENSIONS ARE IN INCHES TOLERANCES ARE:		CONTRACT NO.		
FRACTIONS ±	DECIMALS ±	ANGLES ±	APPROVALS	
	XX ±	XXX ±	DATE	
MATERIAL	FINISH		DRAWN <i>Wynema</i> 4-8-83	
			CHECKED <i>Wynema</i> 5-2-83	
			MECH	
			ELEC	
			MFG	
			PROJECT	
NEXT ASSY	USED ON	APPLICATION	DO NOT SCALE DRAWING	SCALE NONE



### Video Board

SIZE	CODE IDENT NO.	DRAWING NO.	REV
D		834-5167	A
SHEET / OF			



D

C

B

A

8

7

6

5

8

7

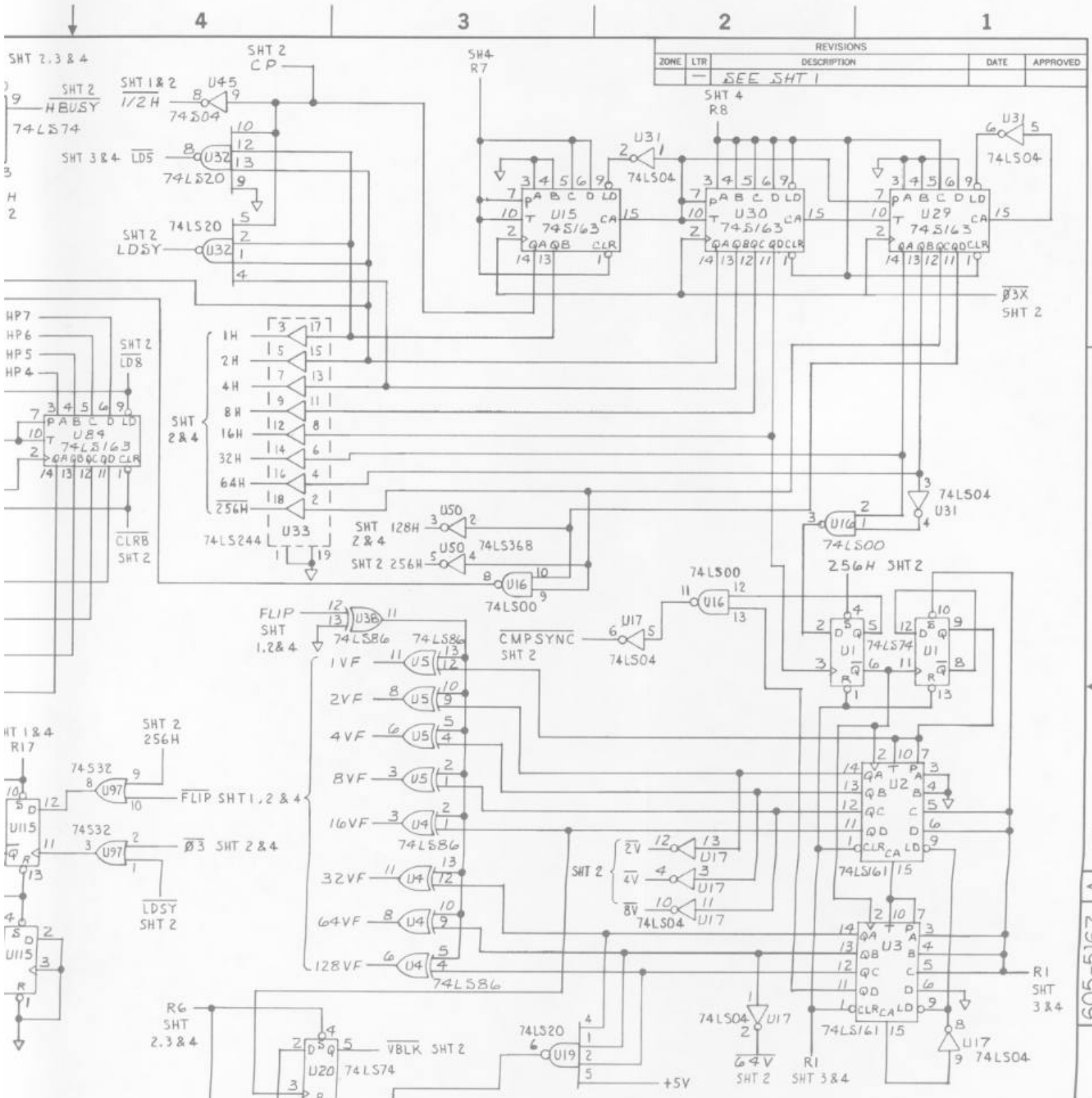
6

5





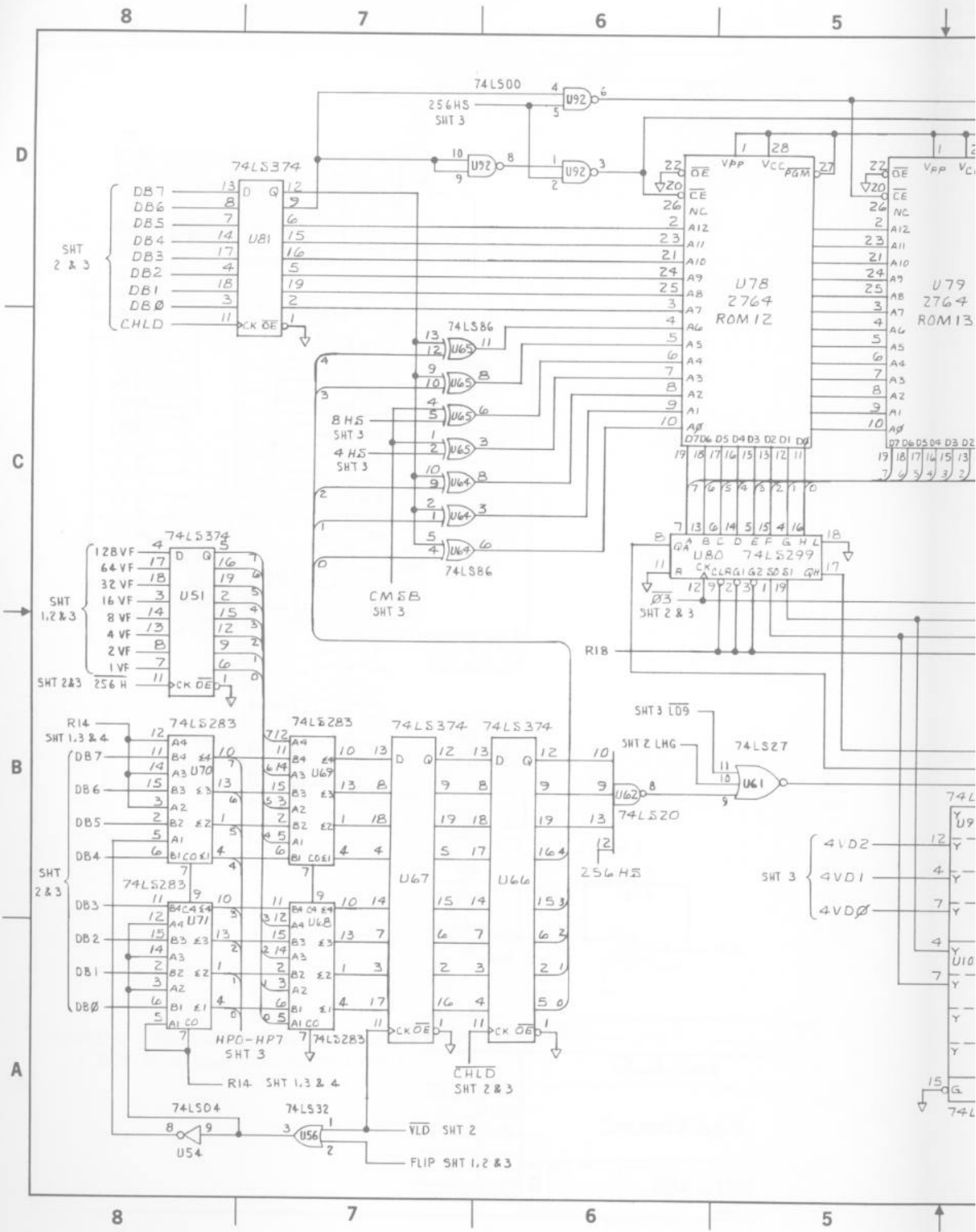




REVISIONS				
ZONE	LTR	DESCRIPTION	DATE	APPROVED
		SEE SHT 1		

D  
 C  
 B  
 A  
 605-5167

QTY REQD	CODE IDENT	PART OR IDENTIFYING NO.	NOMENCLATURE OR DESCRIPTION	ITEM NO.
PARTS LIST				
UNLESS OTHERWISE SPECIFIED DIMENSIONS ARE IN INCHES TOLERANCES ARE FRACTIONS DECIMALS ANGLES		CONTRACT NO.		
DRAWN		APPROVALS		
CHECKED		DATE		
MECH				
ELEC				
MPG				
PROJECT				
NEXT ASSY USED ON APPLICATION		DO NOT SCALE DRAWING		
<b>Gremlin/SGA</b> San Diego, California 92103				<b>Video Board</b>
SIZE	CODE IDENT NO.	DRAWING NO.	REV	
D		834-5167	A	
SCALE NONE				SHEET 3 OF



8

7

6

5

D

C

B

A

SHT 2 & 3

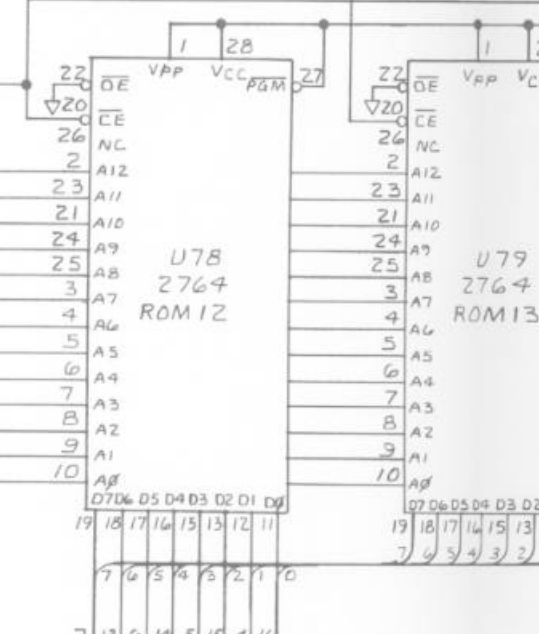
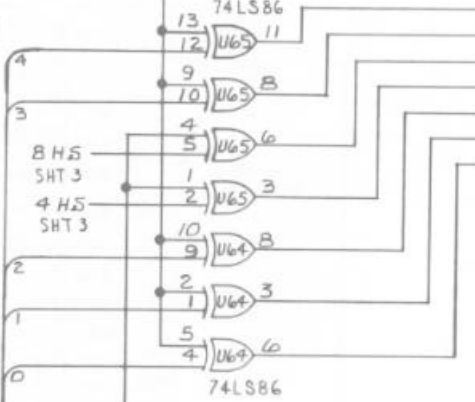
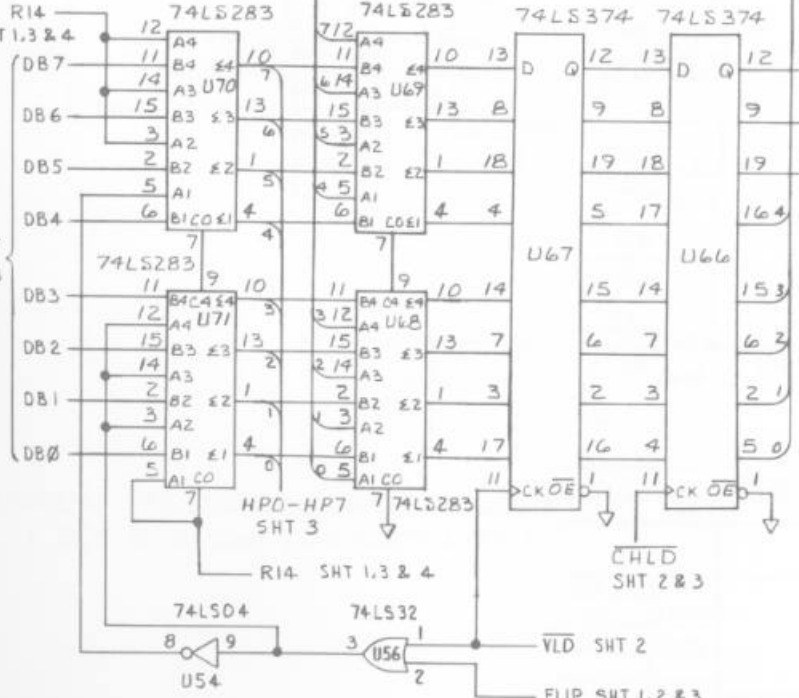
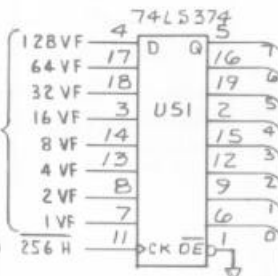
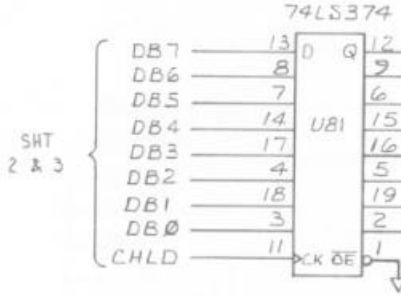
SHT 1, 2 & 3

SHT 2 & 3

SHT 2 & 3

SHT 2

FLIP SHT 1, 2 & 3



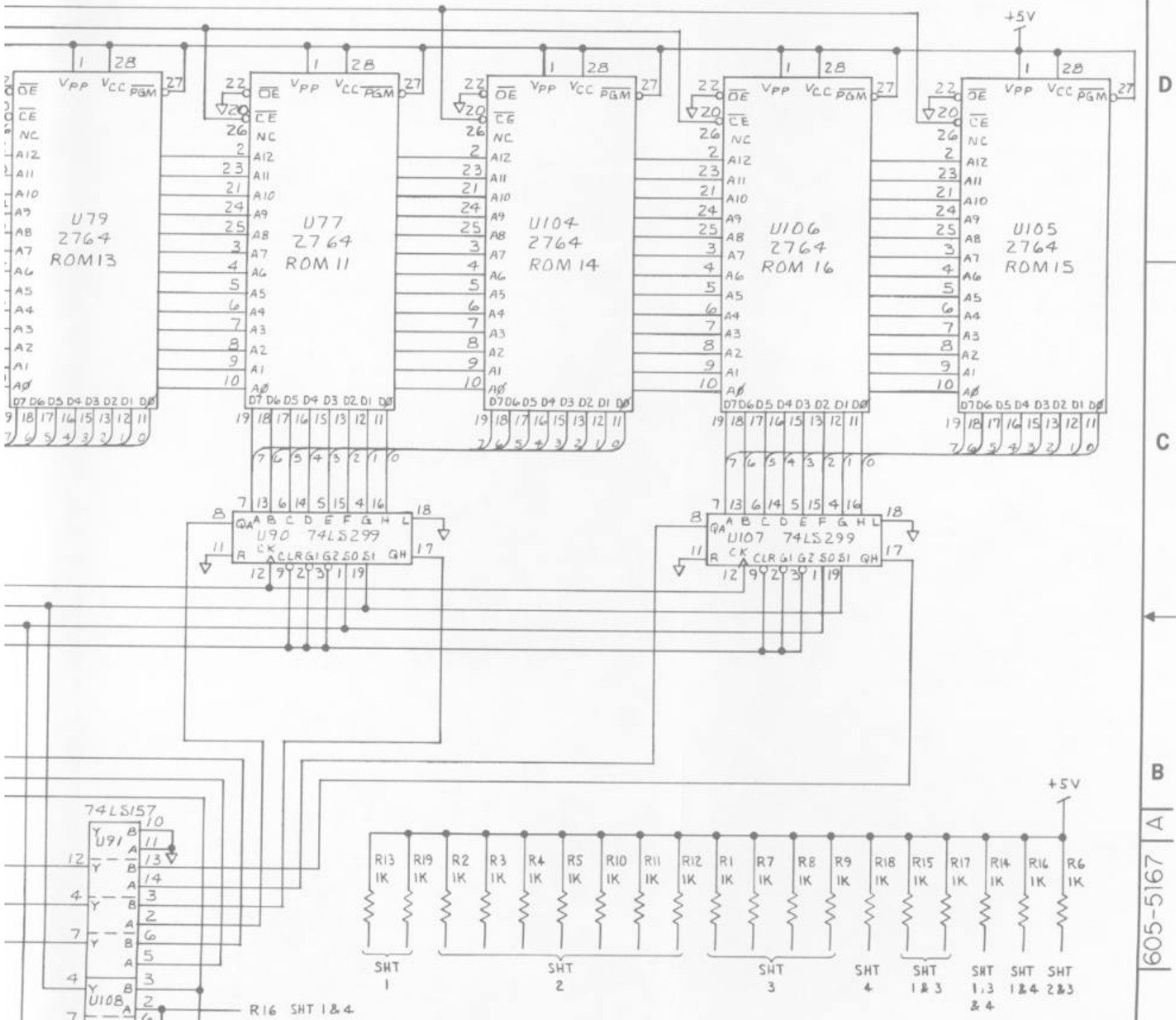
8

7

6

5

REVISIONS				
ZONE	LTR	DESCRIPTION	DATE	APPROVED
-		SEE SHT 1		



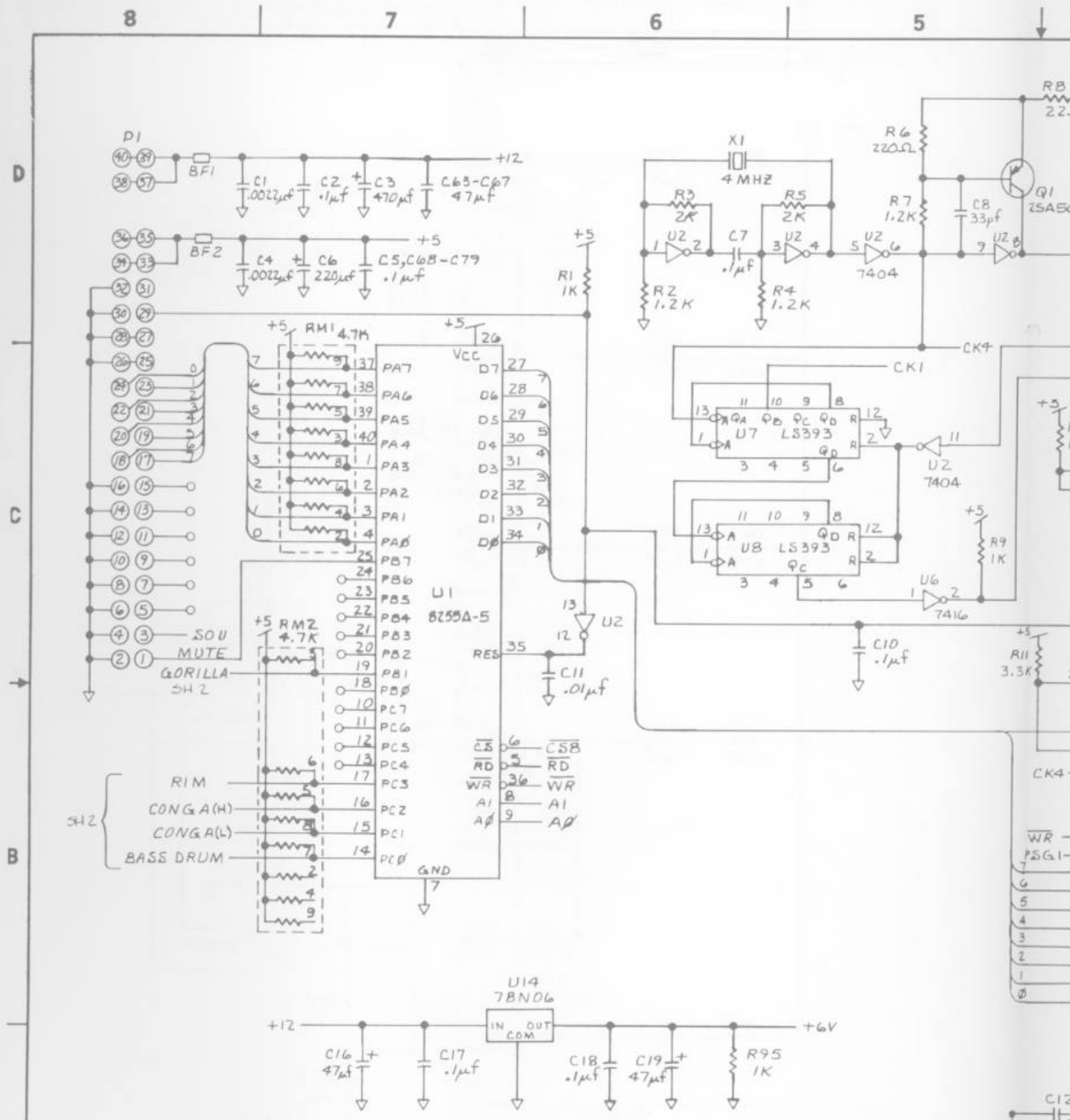
QTY REQD	CODE IDENT	PART OR IDENTIFYING NO.	NOMENCLATURE OR DESCRIPTION	ITEM NO.
PARTS LIST				
UNLESS OTHERWISE SPECIFIED DIMENSIONS ARE IN INCHES TOLERANCES ARE:		CONTRACT NO.		
FRACTIONS	DECIMALS	ANGLES	APPROVALS	DATE
±	.XX ±	±	DRAWN	
	.XXX ±		CHECKED	
MATERIAL			MECH	
			ELEC	
FINISH			MPG	
			PROJECT	
NEXT ASSY		USED ON		APPLICATION
				DO NOT SCALE DRAWING
				SCALE NONE
				SHEET 4 OF

**Gremlin/SEGA**  
San Diego, California 92123

# Video Board

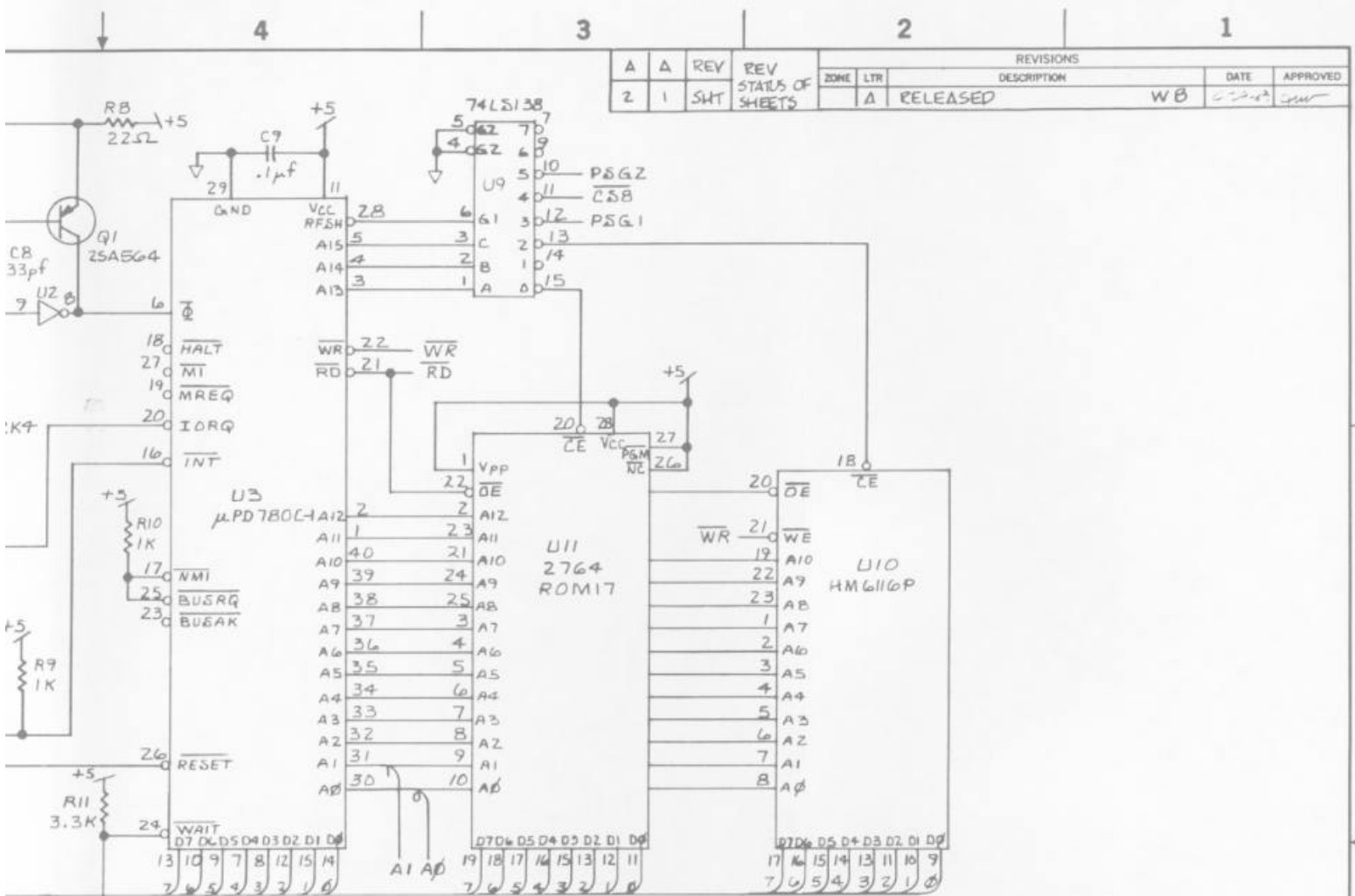
SIZE: **D** CODE IDENT NO: **834-5167** DRAWING NO: **834-5167** REV: **A**

605-5167 A B

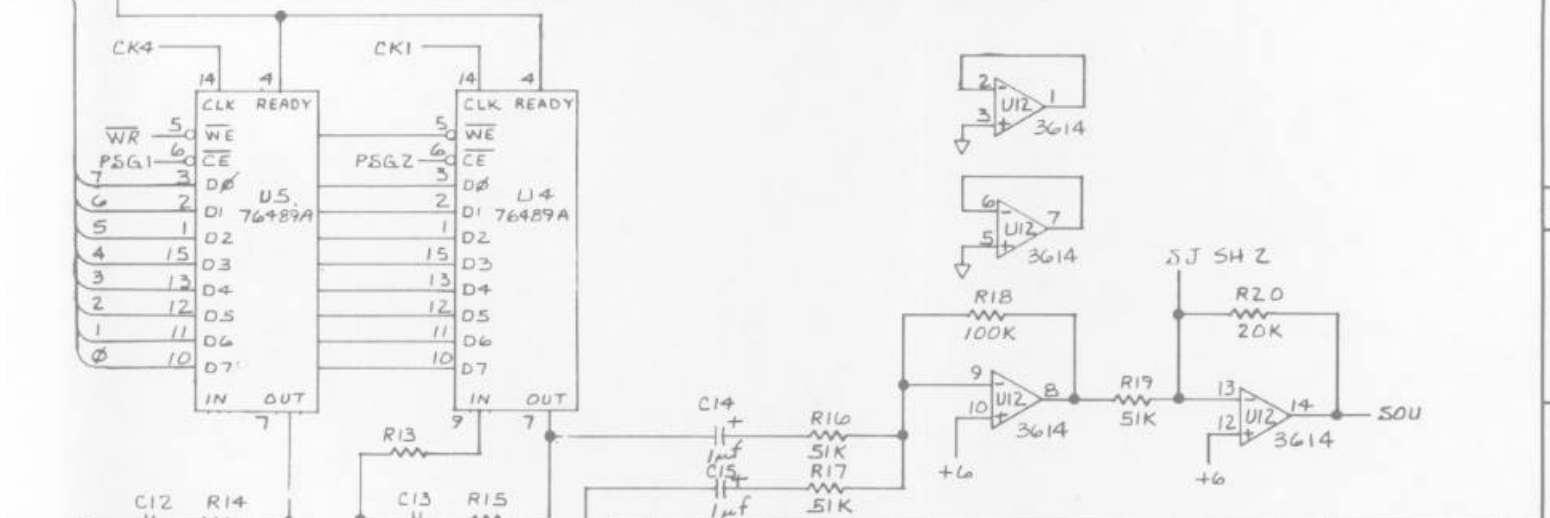


NOTES: UNLESS OTHERWISE SPECIFIED  
 1. SEE 834-5168 FOR PARTS LIST AND ASSY.





REV		REV STATUS OF SHEETS		REVISIONS			DATE	APPROVED
A	A	REV	REV STATUS OF SHEETS	ZONE	LTR	DESCRIPTION	DATE	APPROVED
2	1	SHT		A		RELEASED	WB	



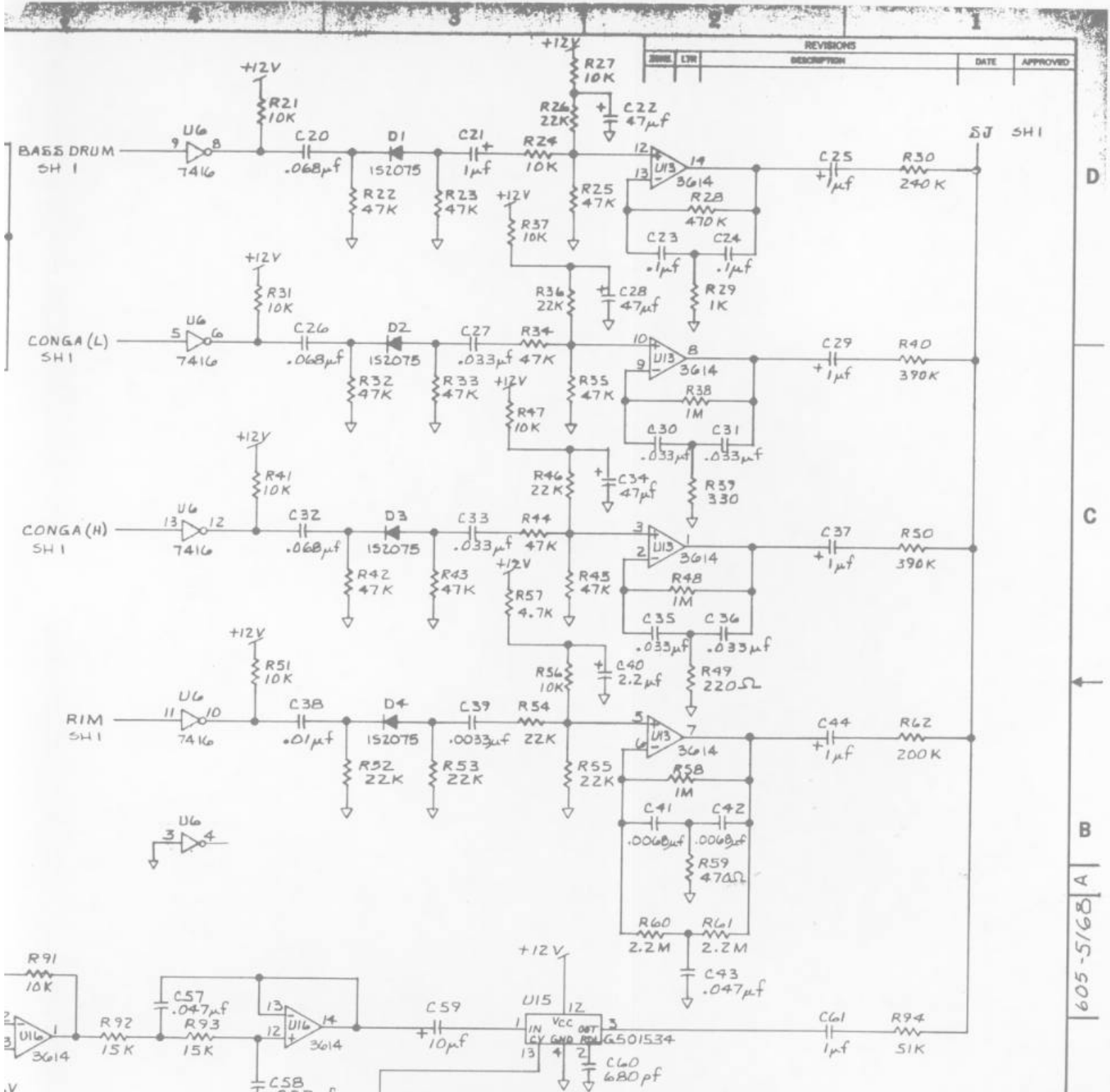
QTY REQD	CODE IDENT	PART OR IDENTIFYING NO.	NOMENCLATURE OR DESCRIPTION	ITEM NO.
PARTS LIST				
UNLESS OTHERWISE SPECIFIED DIMENSIONS ARE IN INCHES TOLERANCES ARE:		CONTRACT NO.		
FRACTIONS	DECIMALS	ANGLES	APPROVALS	
±	±	±	DATE	
±	±	±	DRAWN Wynema 3-17-83	
MATERIAL		CHECKED [Signature] 1-27-83		 San Diego, California 92123
FINISH		ELEC		
NEXT ASSY USED ON		MFG PROJECT		
APPLICATION		DO NOT SCALE DRAWING		SIZE <b>D</b> CODE IDENT NO. <b>834-5168</b> DRAWING NO. <b>834-5168</b> REV <b>A</b>
		SCALE NONE		SHEET 1 OF 2

D  
C  
B  
A  
605-5168

A







REVISED		DESCRIPTION	DATE	APPROVED

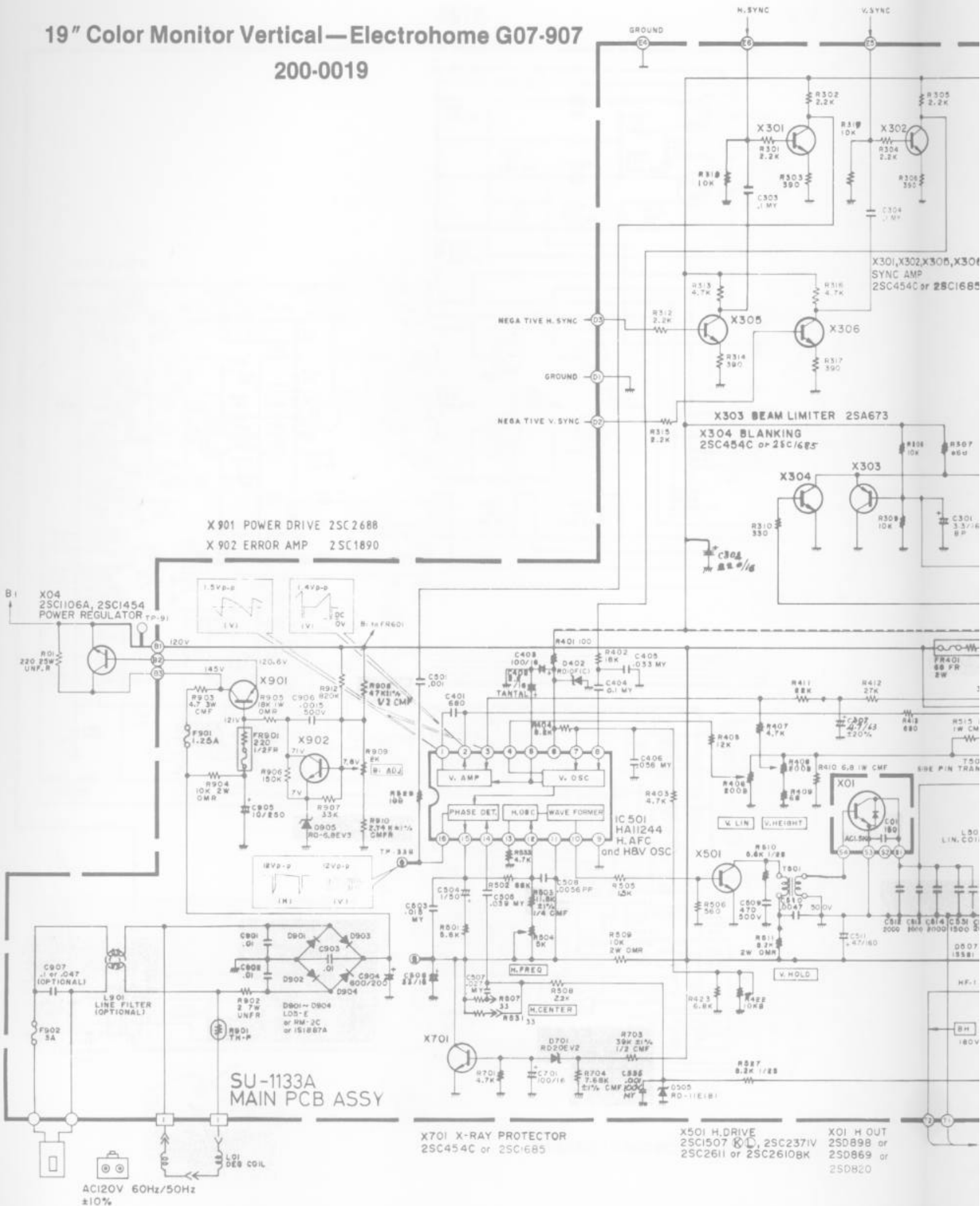
605-5168 A B C D

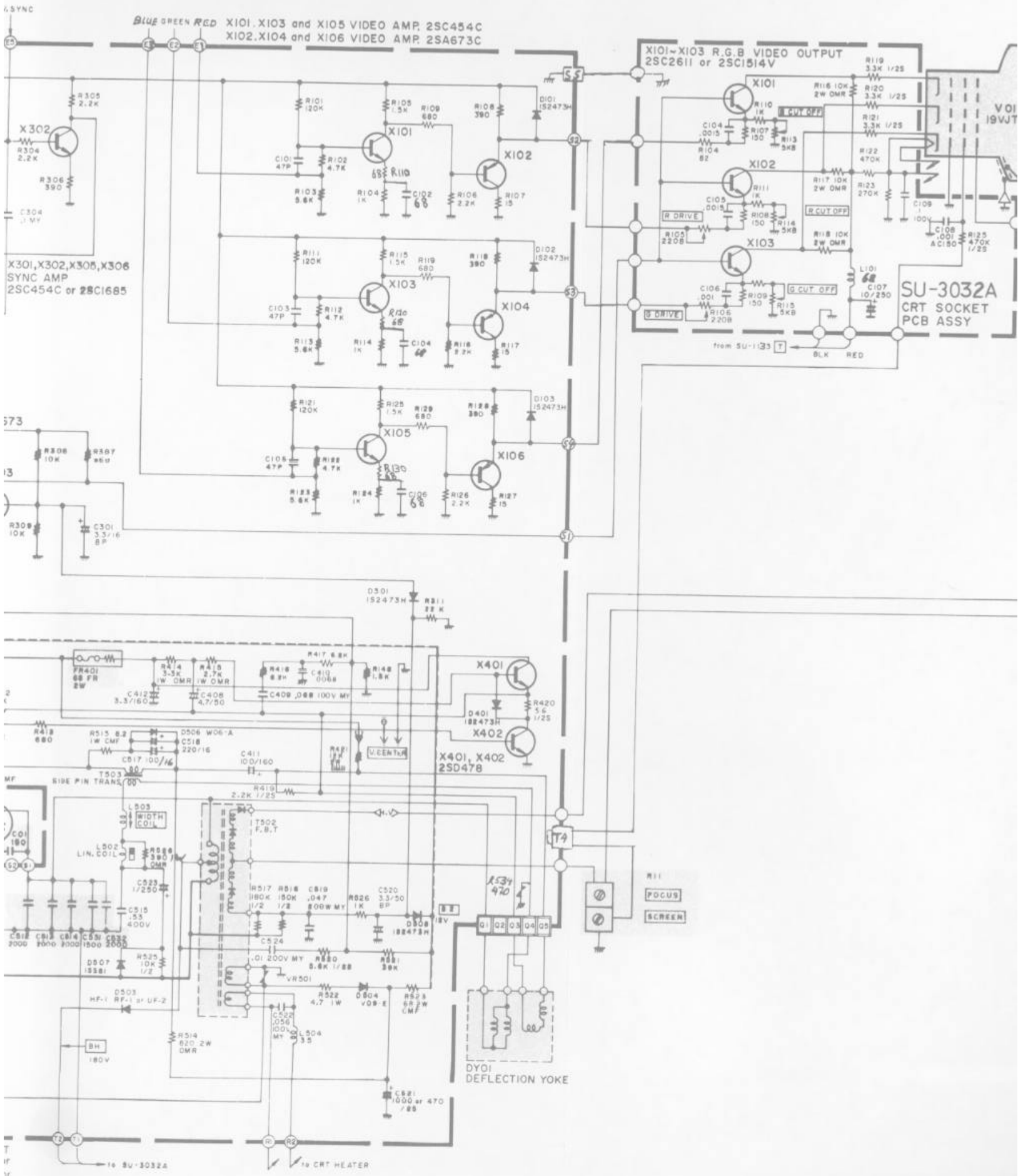
QTY REQD	CODE IDENT	PART OR IDENTIFYING NO.	NOMENCLATURE OR DESCRIPTION	ITEM NO.
PARTS LIST				
UNLESS OTHERWISE SPECIFIED DIMENSIONS ARE IN INCHES TOLERANCES ARE: FRACTIONS    DECIMALS    ANGLES ±                .XX ±                ±			 San Diego, California 92103	
MATERIAL		APPROVALS		DATE
FINISH		Wynona		3-22-83
NEXT ASSY		MECH		
USED ON		ELEC		
APPLICATION		MPB		
DO NOT SCALE DRAWING		PROJECT		
SCALE NONE			SIZE D	CODE IDENT NO. 834-5168
SHEET 2 OF			DRAWING NO.	REV A

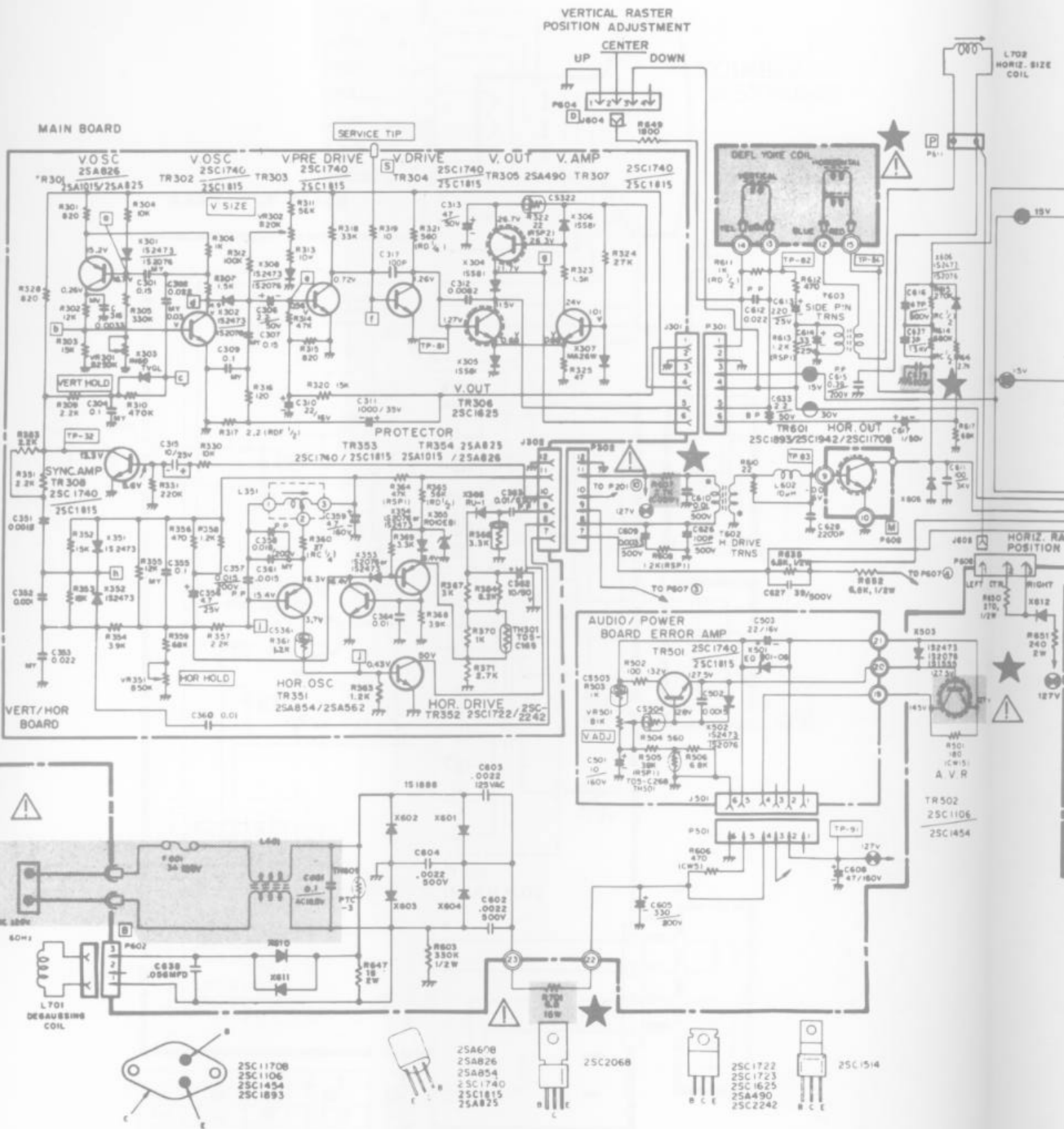
A

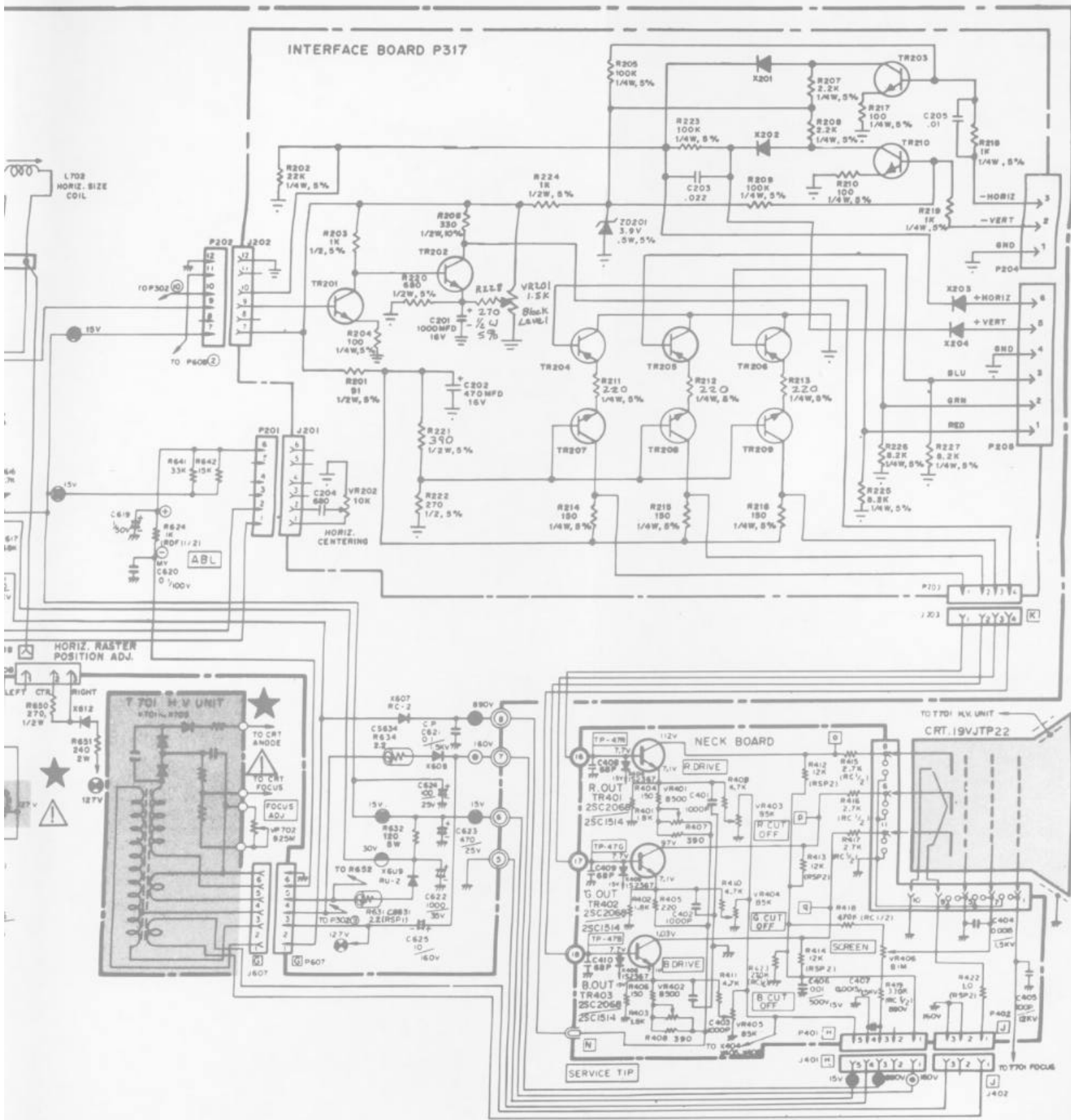
# 19" Color Monitor Vertical—Electrohome G07-907

200-0019

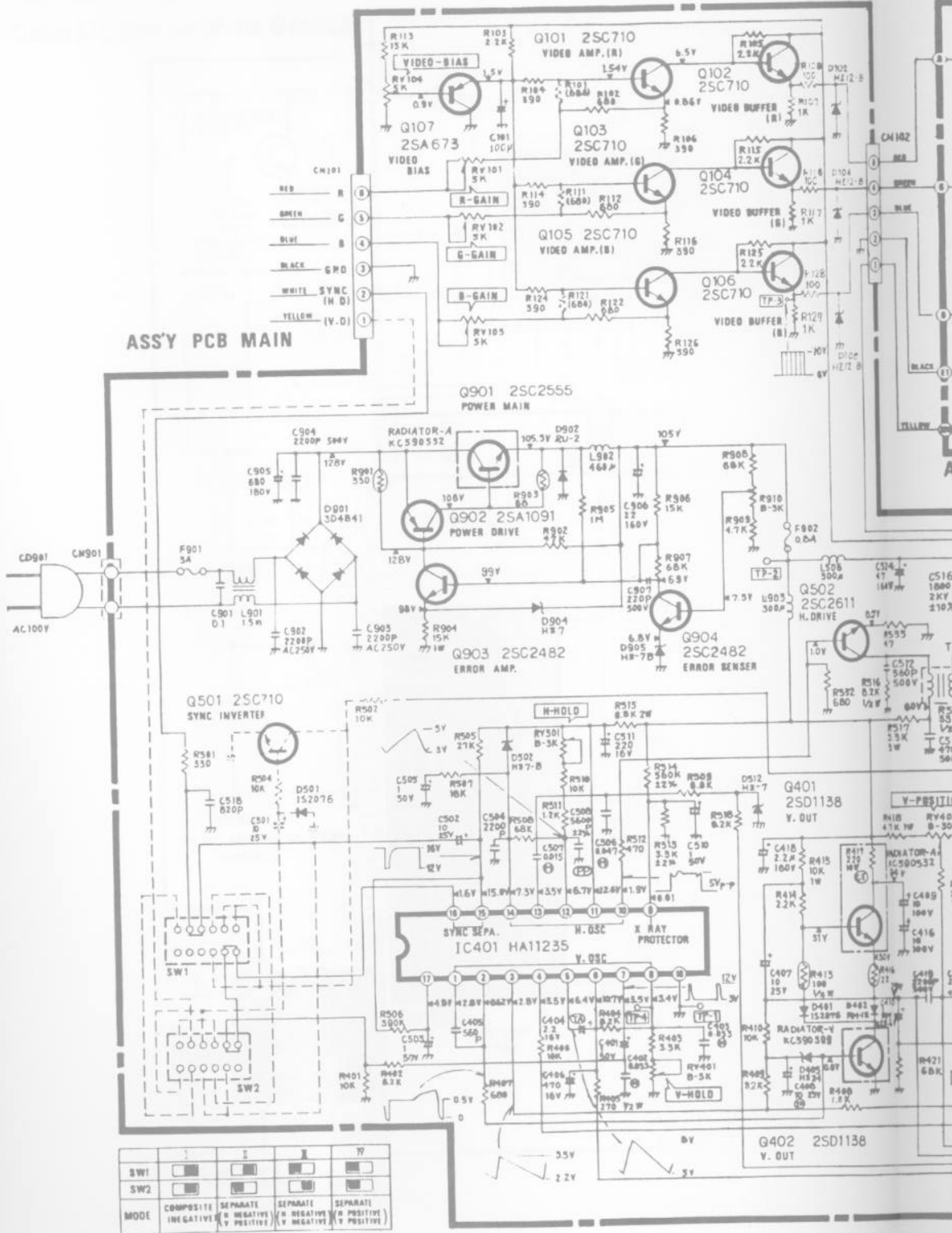








K4625C, K4626C, K4675C, K4676C-5816



ASSY PCB MAIN

Q901 2SC2555  
POWER MAIN

Q902 2SA1091  
POWER DRIVE

Q903 2SC2482  
ERROR AMP.

Q904 2SC2482  
ERROR SENSER

Q501 2SC710  
SYNC INVERTER

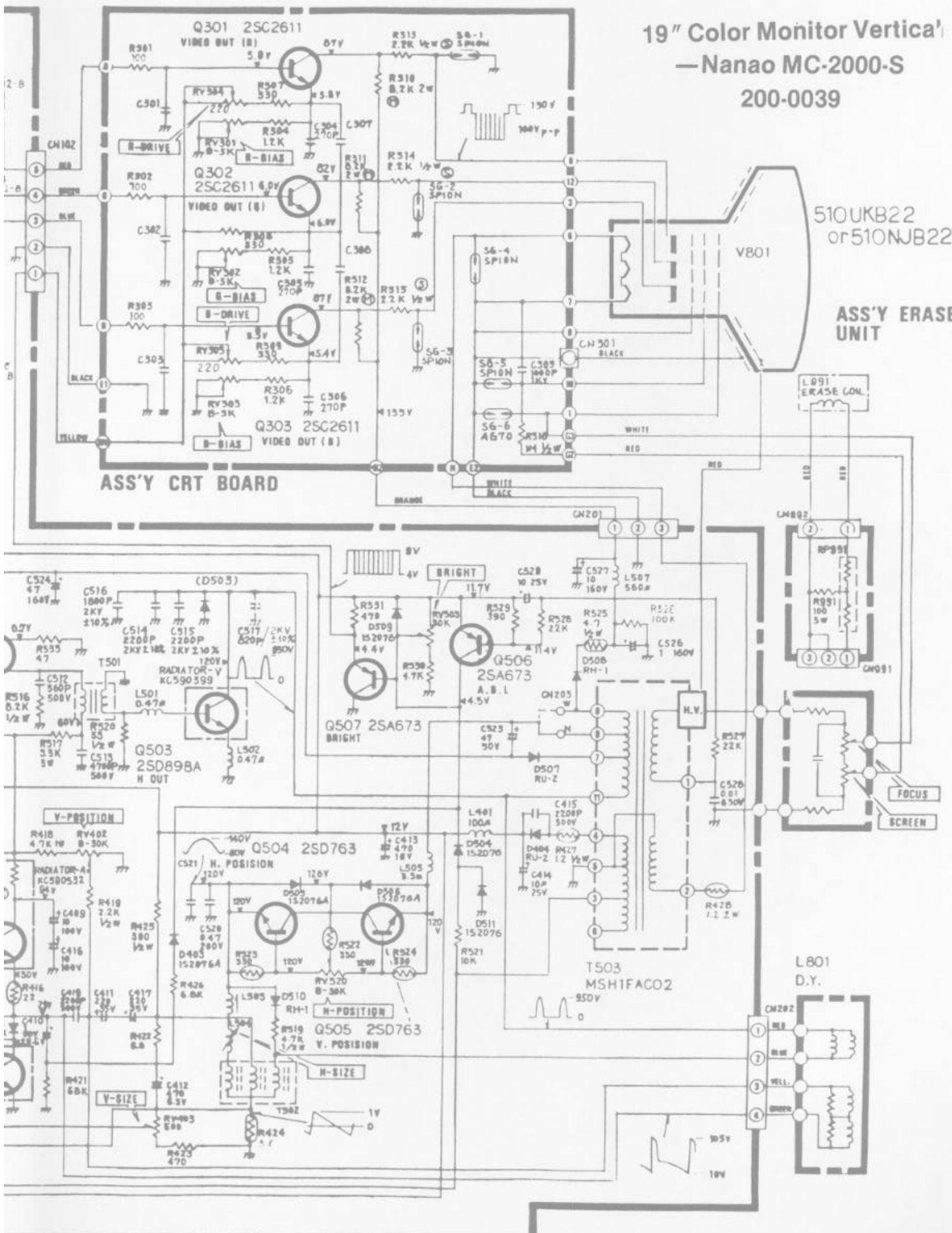
IC401 HA11235  
SYNC SEPA. H. OSC X RAY PROTECTOR V. OSC

G401 2SD1138  
V. OUT

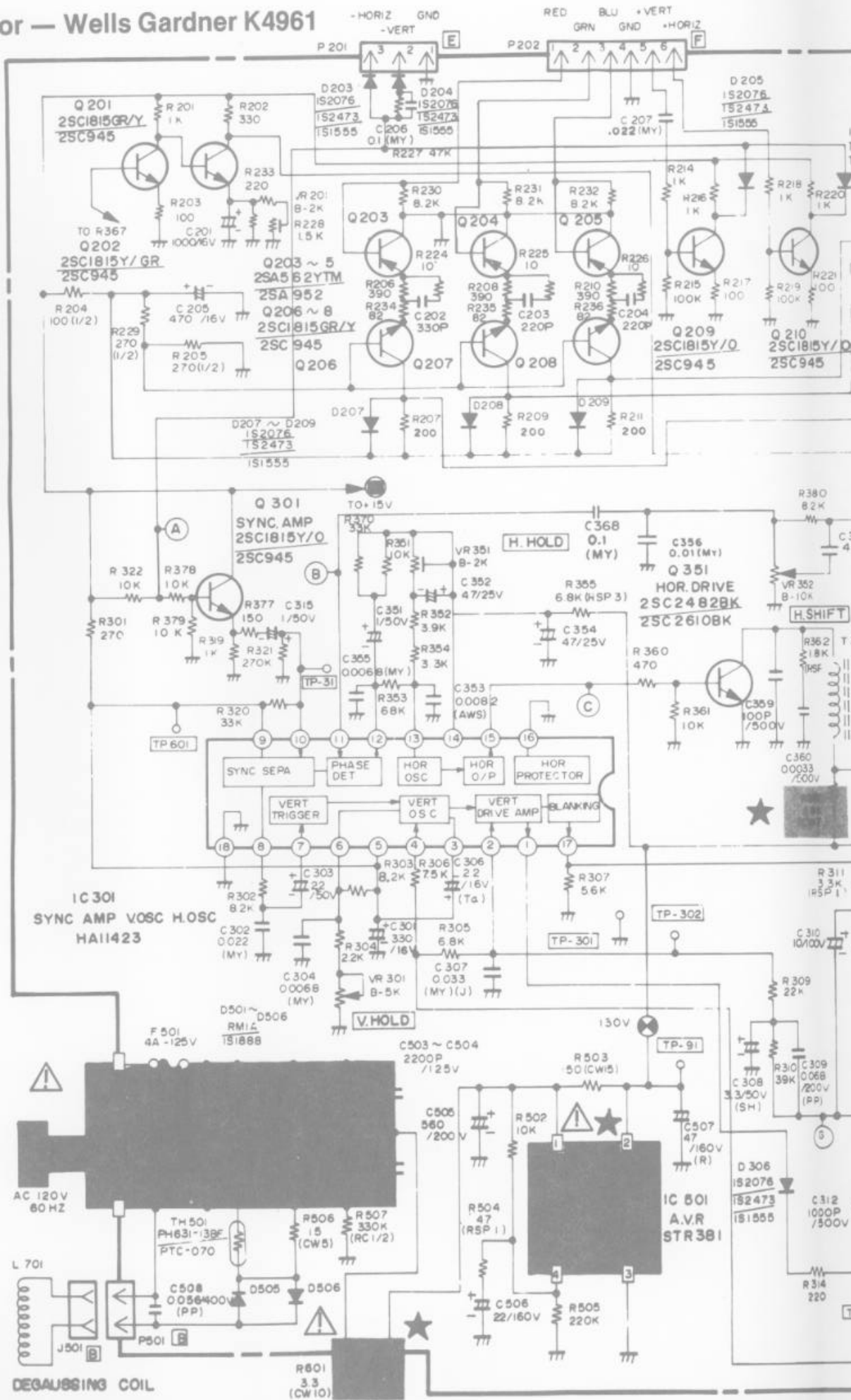
G402 2SD1138  
V. OUT

	I	II	III	IV
SW1				
SW2				
MODE	COMPOSITE NEGATIVE	SEPARATE H NEGATIVE V POSITIVE	SEPARATE H NEGATIVE V NEGATIVE	SEPARATE H POSITIVE V POSITIVE

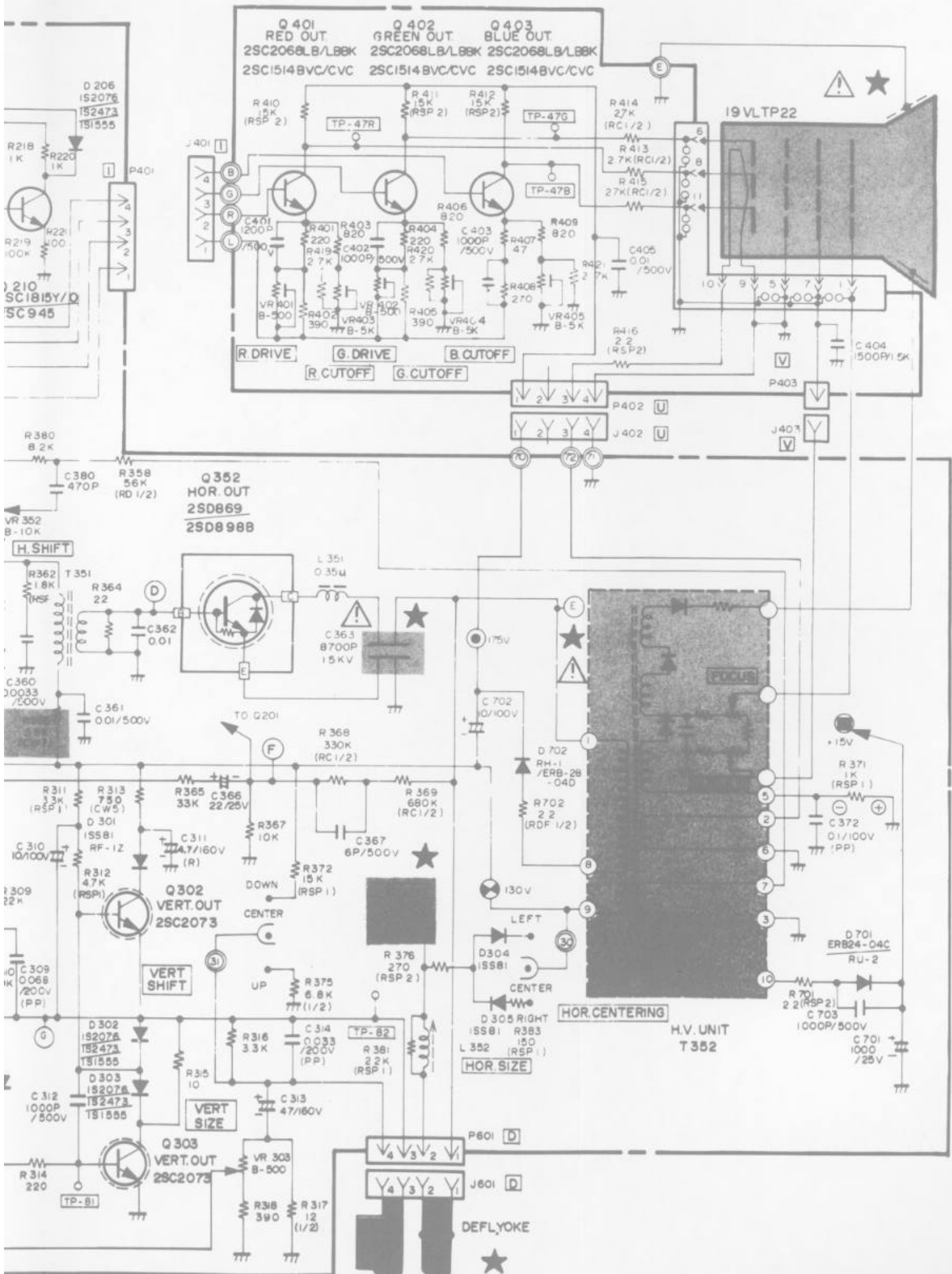
# 19" Color Monitor Vertical — Nanao MC-2000-S 200-0039

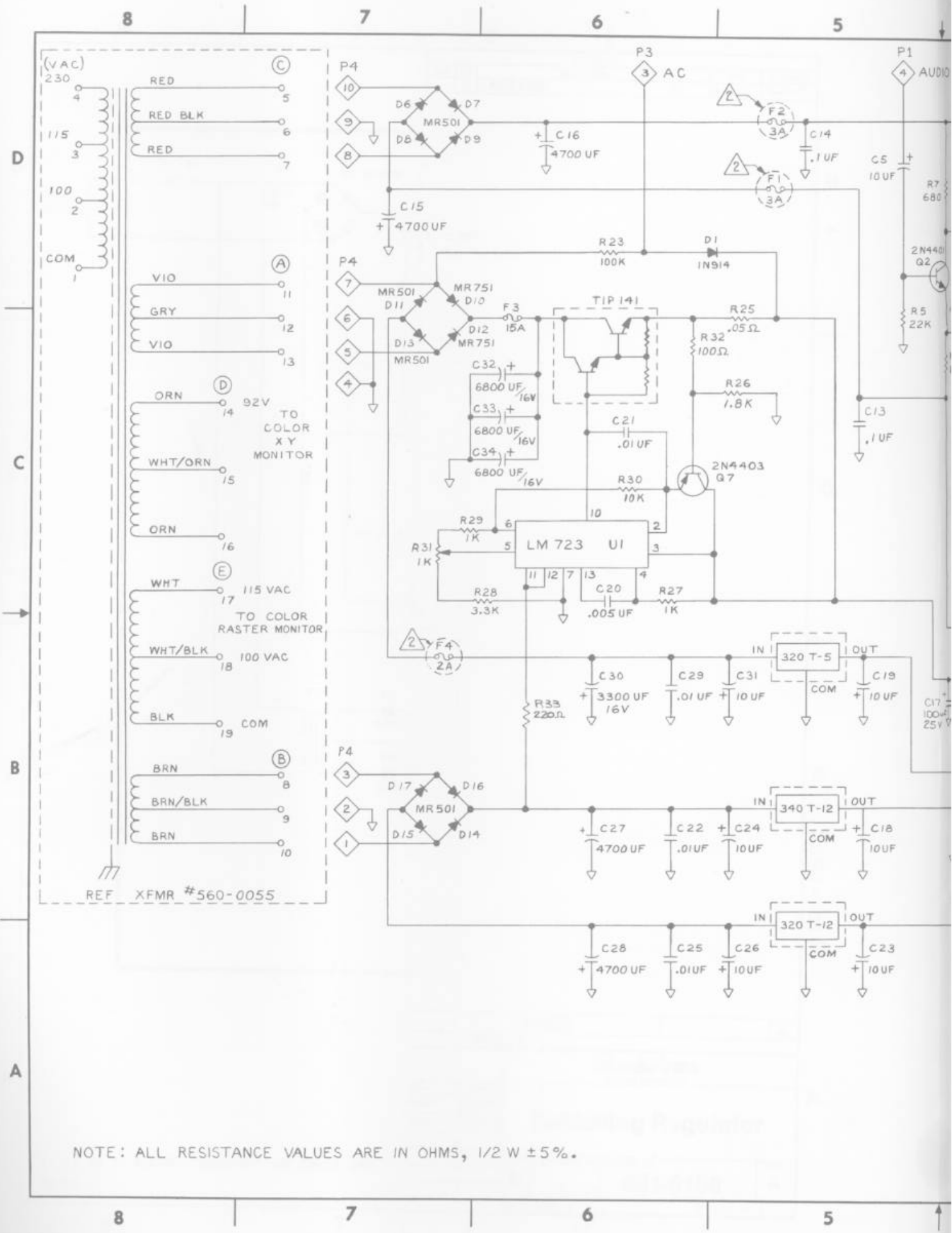


# 19" Color Monitor — Wells Gardner K4961

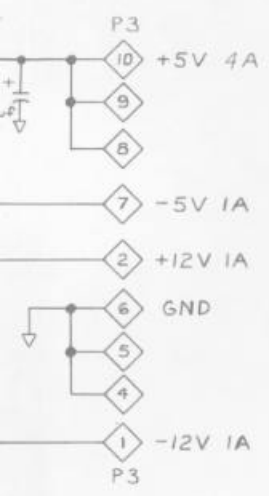
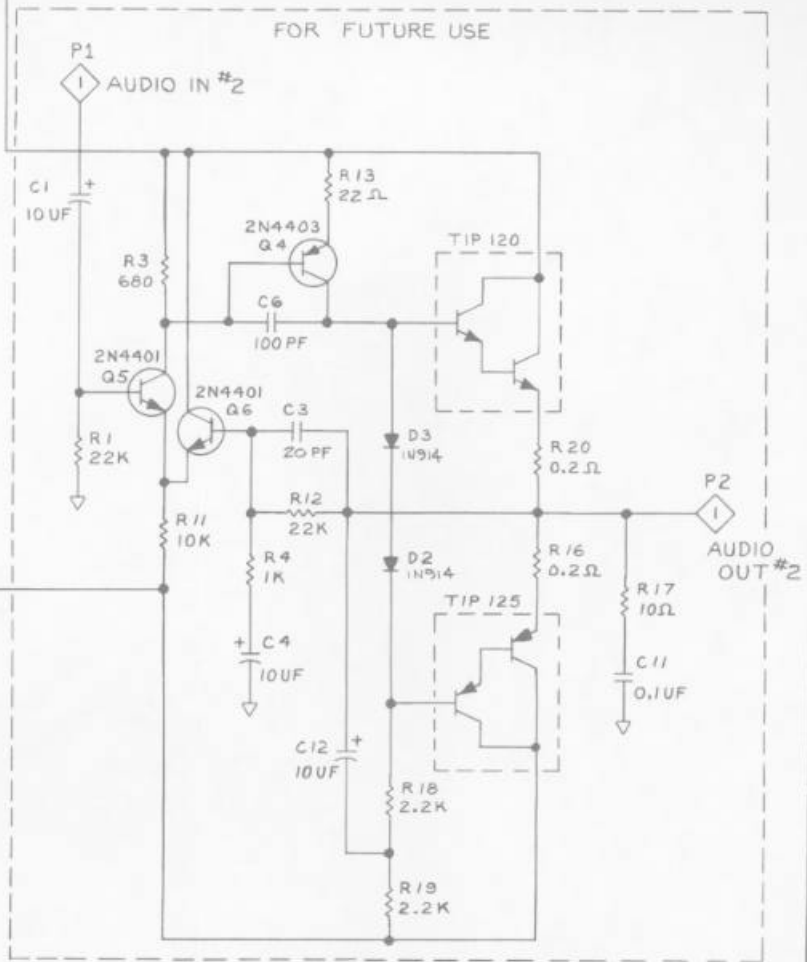
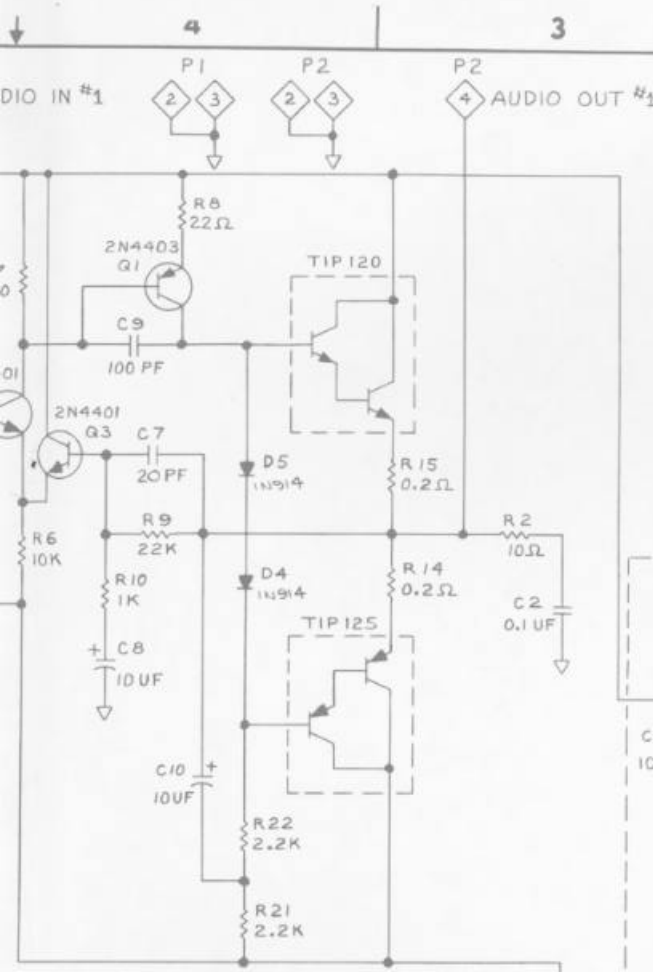








NOTE: ALL RESISTANCE VALUES ARE IN OHMS, 1/2 W ± 5%.



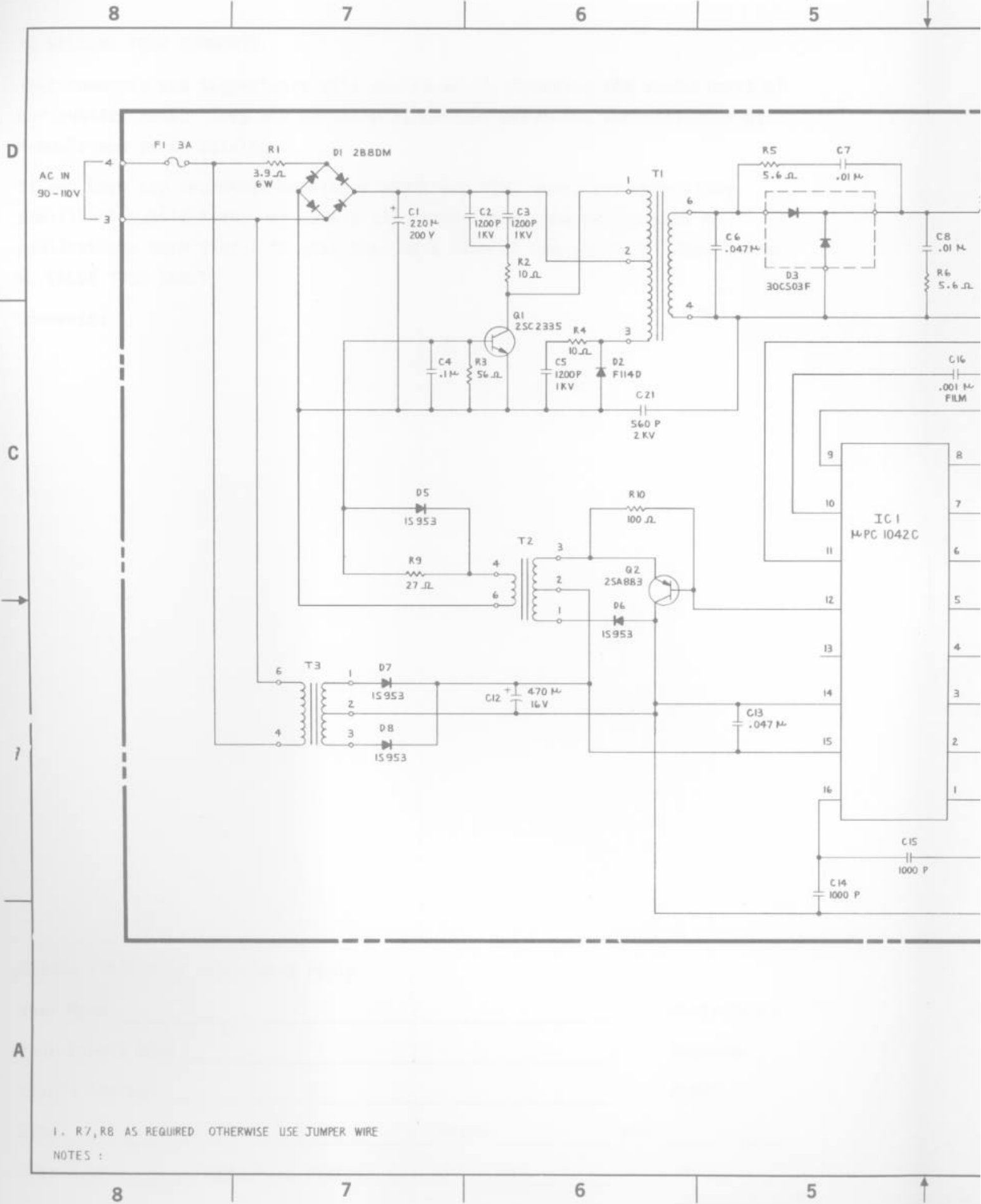
REVISIONS				
ZONE	LTR	DESCRIPTION	DATE	APPROVED
-	-	SEE SHT #1	M.G.A.	

QTY REQD	CODE IDENT	PART OR IDENTIFYING NO.	NOMENCLATURE OR DESCRIPTION
PARTS LIST			
UNLESS OTHERWISE SPECIFIED DIMENSIONS ARE IN INCHES TOLERANCES ARE:		CONTRACT NO.	
FRACTIONS ±	DECIMALS ±	ANGLES ±	APPROVALS
XX ±	XXX ±		
MATERIAL	FINISH		DATE
DRAWN		CHECKED	
NEXT ASSY		USED IN	
APPLICATION		DO NOT SCALE DRAWING	
JZE		CODE IDENT NO.	DRAWING NO.
D		800-0191	REV L
SCALE NONE		SHEET 3 OF	

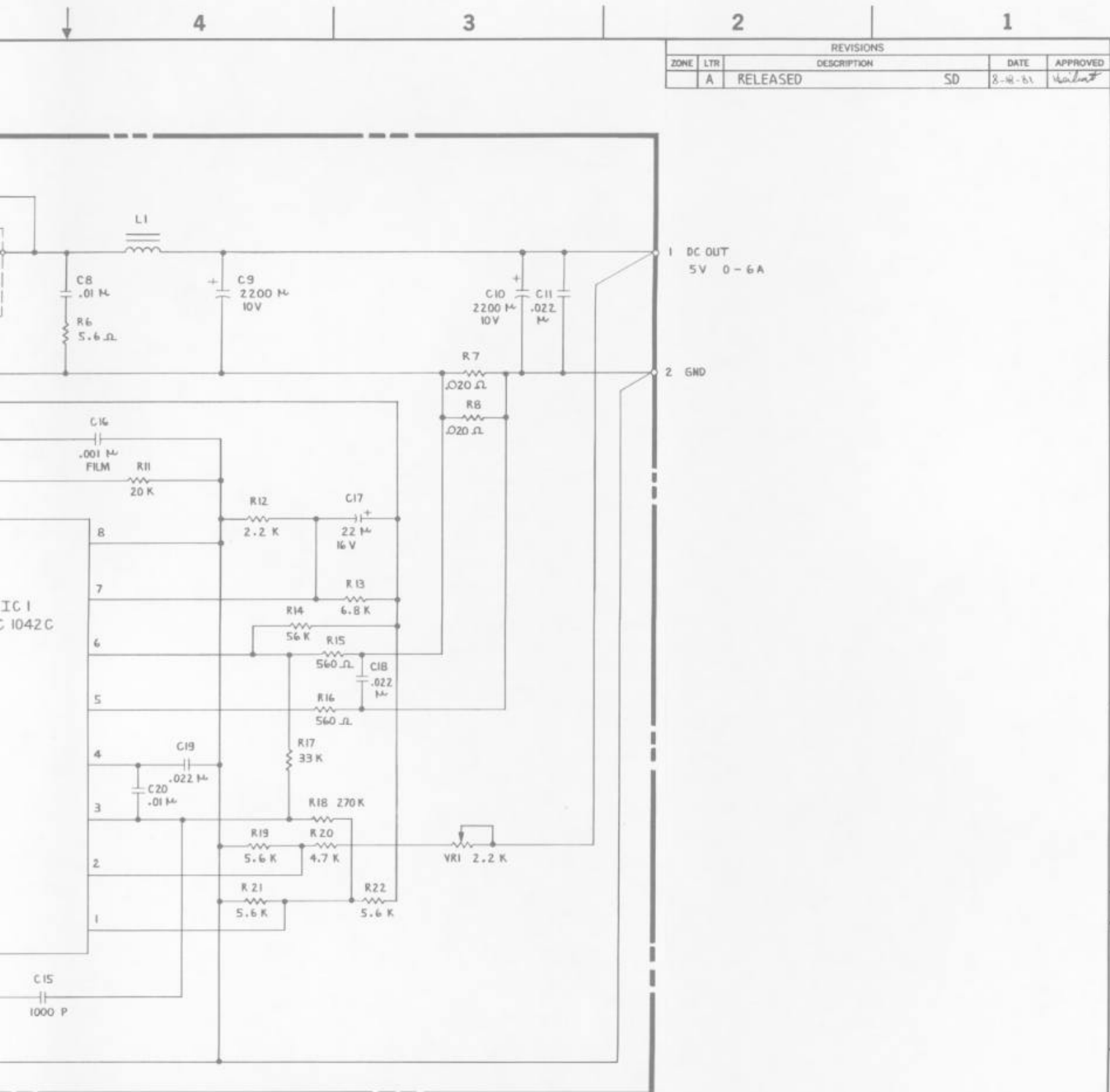
**Gremlin Industries, Inc.**  
San Diego, California 92123

## G-80 Power Supply

D  
C  
B  
A  
170 L  
800



1. R7, R8 AS REQUIRED OTHERWISE USE JUMPER WIRE  
 NOTES :



REVISIONS				
ZONE	LTR	DESCRIPTION	DATE	APPROVED
	A	RELEASED	SD	8-18-81

D  
C  
B  
A  
601-0158

QTY REQD	CODE IDENT	PART OR IDENTIFYING NO.	NOMENCLATURE OR DESCRIPTION	ITEM NO.
PARTS LIST				
UNLESS OTHERWISE SPECIFIED DIMENSIONS ARE IN INCHES TOLERANCES ARE:		CONTRACT NO.		
FRACTIONS	DECIMALS	ANGLES	APPROVALS	
±	XX ±	±	DATE	
	XXX ±		DRAWN SON DUONG 8-17-81	
MATERIAL		CHECKED G. GRICE 8-17-81		
FINISH		MECH		
NEXT ASSY USED ON		ELEC		
APPLICATION		MFG		
DO NOT SCALE DRAWING		PROJECT		
		SIZE CODE IDENT NO. DRAWING NO.		REV
		D 601-0158		A
		SCALE NONE		SHEET 1 OF 1



## Switching Regulator

A

WE WELCOME YOUR COMMENTS!

Your comments and suggestions will assist us in improving the usefulness of our publications. They are an integral part of preparing for revisions of manuals and parts catalogs.

If you have any technical questions about any SEGA game, are requesting additional publications, or have a suggestion about how we can make our publications more useful to you, drop us a line or use the handy form below. WE VALUE YOUR INPUT!

Comments:



Please fill in if you wish a reply:

Your Name \_\_\_\_\_

Distributor

Your Firm's Name \_\_\_\_\_

Operator

Firm's Address \_\_\_\_\_

Other

City \_\_\_\_\_ State \_\_\_\_\_ Zip \_\_\_\_\_

Area Code \_\_\_\_\_ Telephone Number \_\_\_\_\_

CONGO BONGO™

First Fold



NO POSTAGE  
NECESSARY  
IF MAILED  
IN THE  
UNITED STATES

**BUSINESS REPLY MAIL**

FIRST CLASS PERMIT NO. 10129 SAN DIEGO, CALIFORNIA

POSTAGE WILL BE PAID BY ADDRESSEE

**SEGA Electronics, Inc.**  
**16250 Technology Drive**  
**San Diego, California 92127-1985**

Attn: Customer Service

Second Fold

Tape This Edge



---

**SEGA**  
THE ARCADE EXPERTS