



Schematic Package Supplement to

Charley Chuck's FOOD FIGHT™

Operators Manual

2M

ATARI INC., 1983

SP-229 Sheet 1A
1st Printing

**BASEMENT
ARCADE
CLASSICS**

www.basementarcade.com

Table of Contents

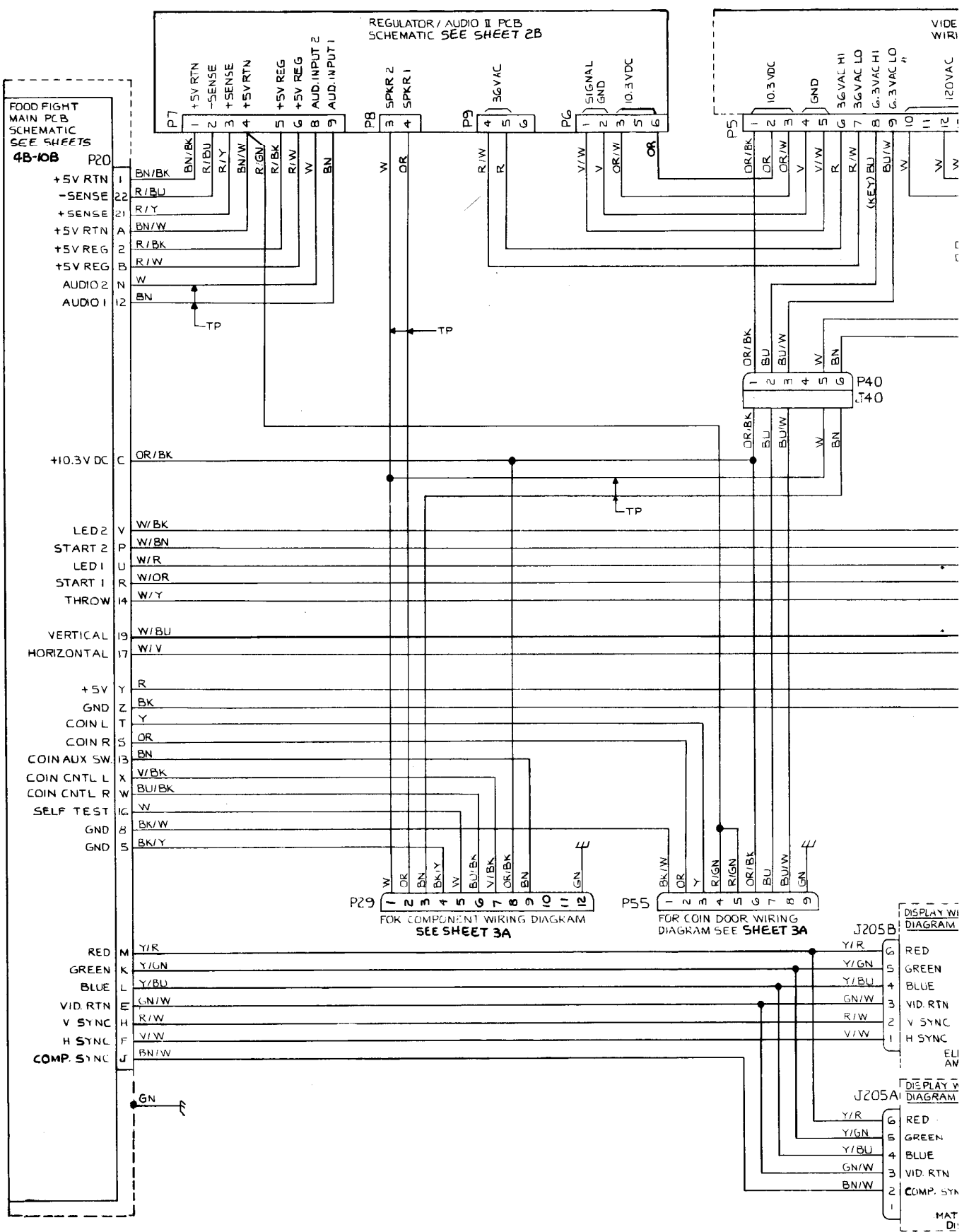
Sheet 1A	Table of Contents
Sheet 1B	Food Fight Main Wiring Diagram—US (039908-01 A)
Sheet 2A	Food Fight Main Wiring Diagram—Ireland (039998-01 A)
Sheet 2B	Regulator/Audio II PCB Schematic Diagram (035435-01 G), Color Raster Power Supply Wiring Diagram (037669-01 E)
Sheet 3A	Coin Door Wiring Diagram (A037542-01 D), Utility Panel Wiring Diagram (A038004-01 E), Fluorescent Light Wiring Diagram (035833-01 A)
Sheet 3B	EMI Shield Schematic Diagram (037430-04 A)
Sheet 4A	Memory Map

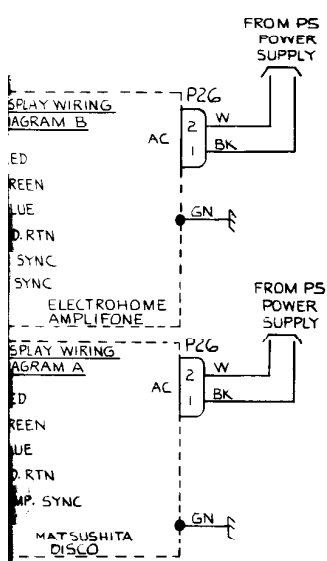
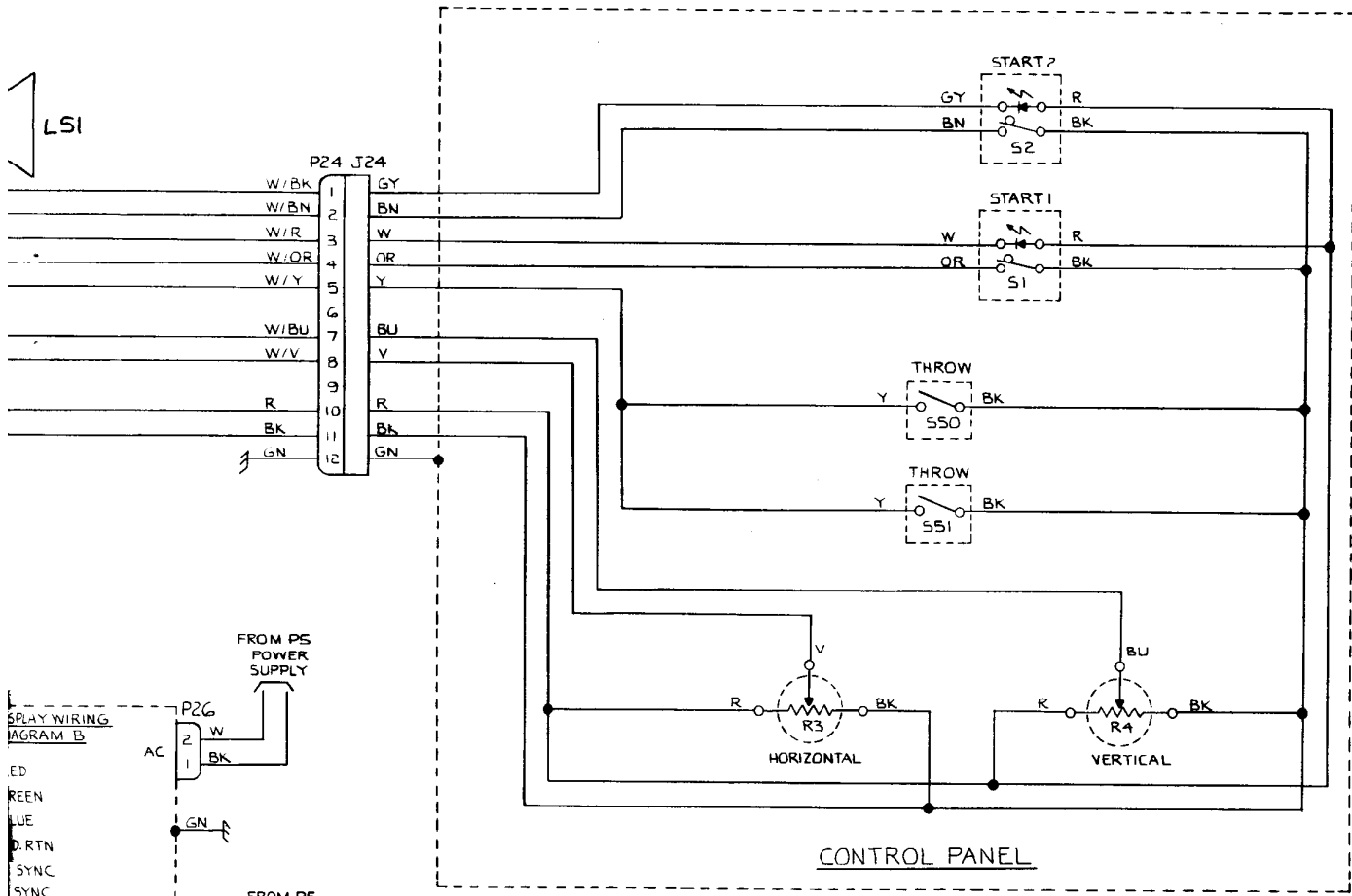
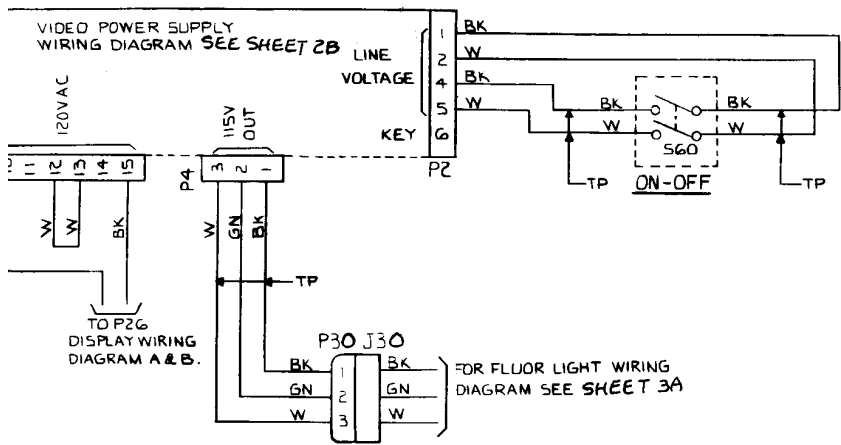
Game PCB Schematics, Sheets 4B–10B

Sheet 4B	Food Fight Power/Ground and CPU Schematic Diagram
Sheet 5A	Food Fight Reset and Digital I/O Schematic Diagram
Sheet 5B	Food Fight Address Decoder Schematic Diagram
Sheet 6A	Food Fight Memory Schematic Diagram
Sheet 6B	Food Fight Sync Schematic Diagram
Sheet 7A	Food Fight Playfield RAM/ROM Schematic Diagram
Sheet 7B	Food Fight Motion Object RAM Schematic Diagram
Sheet 8A	Food Fight Vertical Position Schematic Diagram
Sheet 8B	Food Fight Motion Object ROM Schematic Diagram
Sheet 9A	Food Fight Line Buffers Schematic Diagram
Sheet 9B	Food Fight Color RAM Schematic Diagram
Sheet 10A	Food Fight Sound Schematic Diagram
Sheet 10B	Food Fight Analog Inputs

Display Schematics, Sheets 11A–11B

Sheet 11A	Electrohome Display Schematic Diagram (92-049)
Sheet 11B	Matsushita Display Schematic Diagram (139003-1004)





NOTICE TO ALL PERSONS RECEIVING THIS DRAWING

CONFIDENTIAL: Reproduction forbidden without the specific written permission of Atari, Inc., Sunnyvale, CA. This drawing is only conditionally issued, and neither receipt nor possession thereof confers or transfers any right in, or license to use, the subject matter of the drawing or any design or technical information shown thereon, nor any right to reproduce this drawing or any part thereof. Except for manufacture by vendors of Atari, Inc., and for manufacture under the corporation's written license, no right is granted to reproduce this drawing or the subject matter thereof, unless by written agreement with or written permission from the corporation.

Food Fight Main Wiring Diagram— Ireland

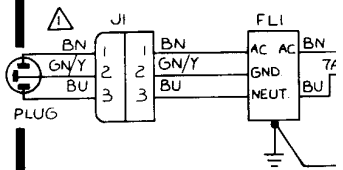
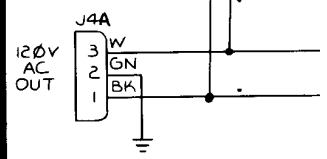
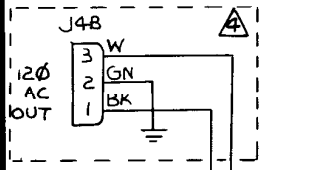
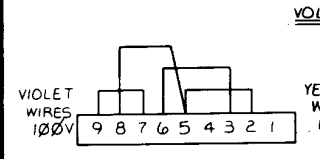
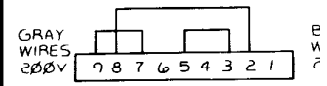
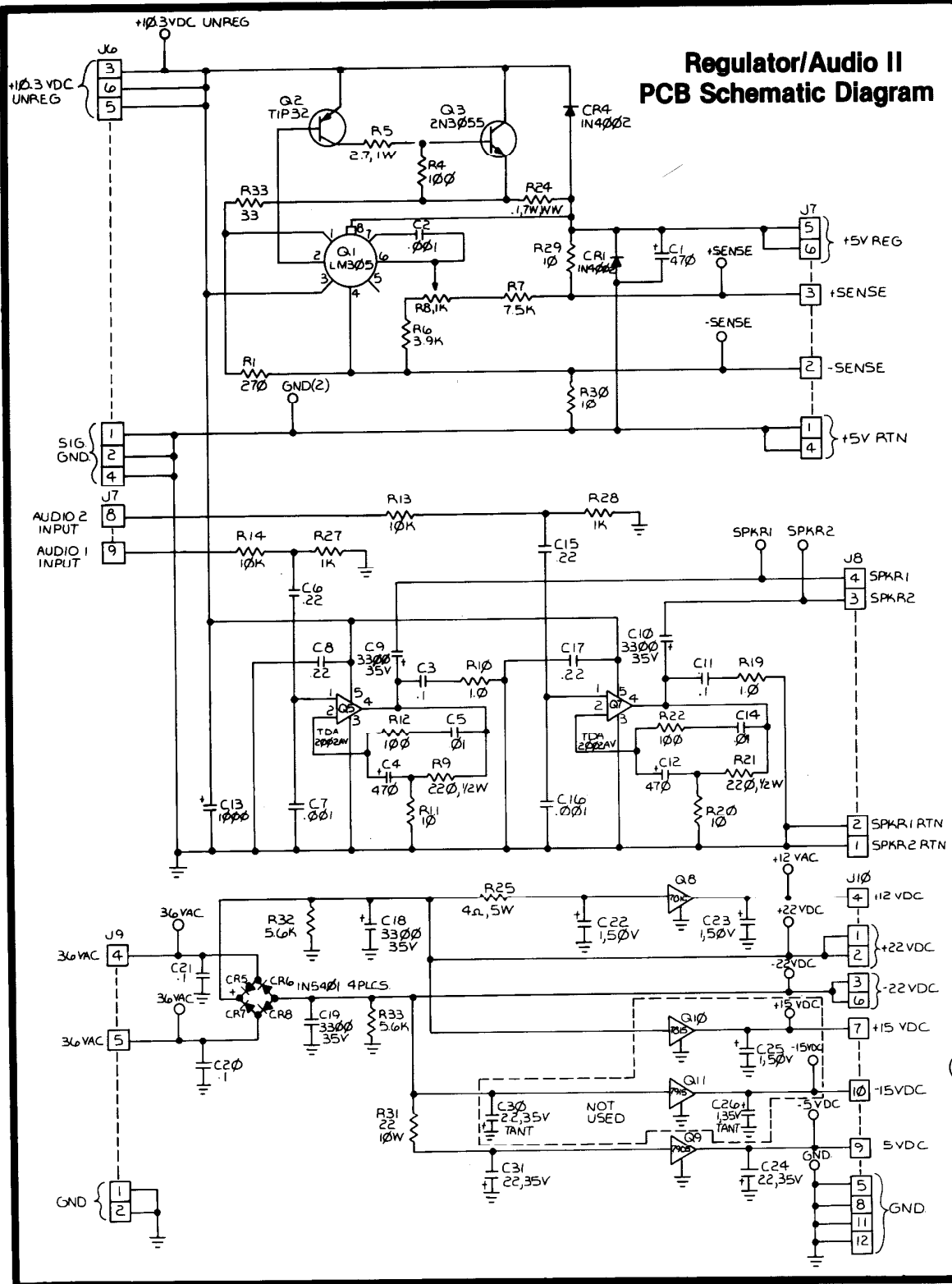


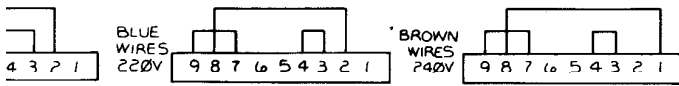
© Atari Inc. 1983
A Warner Communications Company

SP-229 Sheet 2A
1st Printing

**BASEMENT
ARCADE**

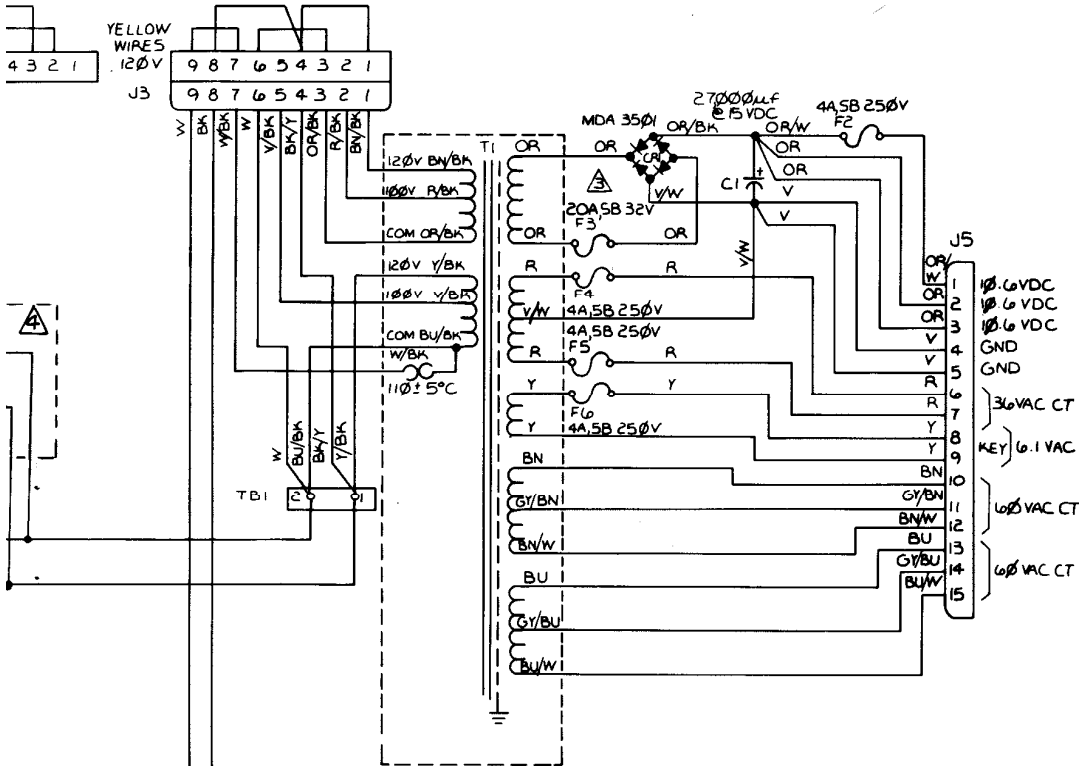
Regulator/Audio II PCB Schematic Diagram





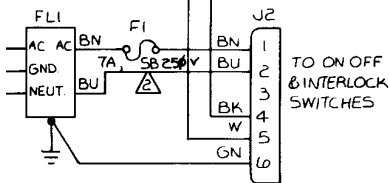
VOLTAGE SELECTION BLOCKS

Color Raster Power Supply Diagram



NOTES:

- ⚠ USE 25 AMP, 5B, 32V FUSE AT F3 FOR -04, -05, & -06 VERSION OF A037671-XX POWER SUPPLY.
- ⚠ J4-B USED IN -07 THROUGH -12 VERSION OF A037671-XX POWER SUPPLY ASSY.
- ⚠ POWER CORD ASSY MAY HAVE WIRE COLORS AS SHOWN OR WIRE COLORS AS FOLLOWS: ONE BLACK WIRE (AC), ONE GREEN WIRE, GND AND ONE WHITE WIRE (NEUTRAL).
- ⚠ USE 4AMP, 5B 250V FUSE AT F1 WITH 220V & 240V (EUROPEAN ONLY)



NOTICE TO ALL PERSONS RECEIVING THIS DRAWING

CONFIDENTIAL: Reproduction forbidden without the specific written permission of Atari, Inc., Sunnyvale, CA. This drawing is only conditionally issued, and neither receipt nor possession thereof confers or transfers any right in, or license to use, the subject matter of the drawing or any design or technical information shown thereon, nor any right to reproduce this drawing or any part thereof. Except for manufacture by vendors of Atari, Inc., and for manufacture under the corporation's written license, no right is granted to reproduce this drawing or the subject matter thereof, unless by written agreement with or written permission from the corporation.

Food Fight Regulator/Audio II PCB and Power Supply Diagrams



A Warner Communications Company

© ATARI INC. 1983

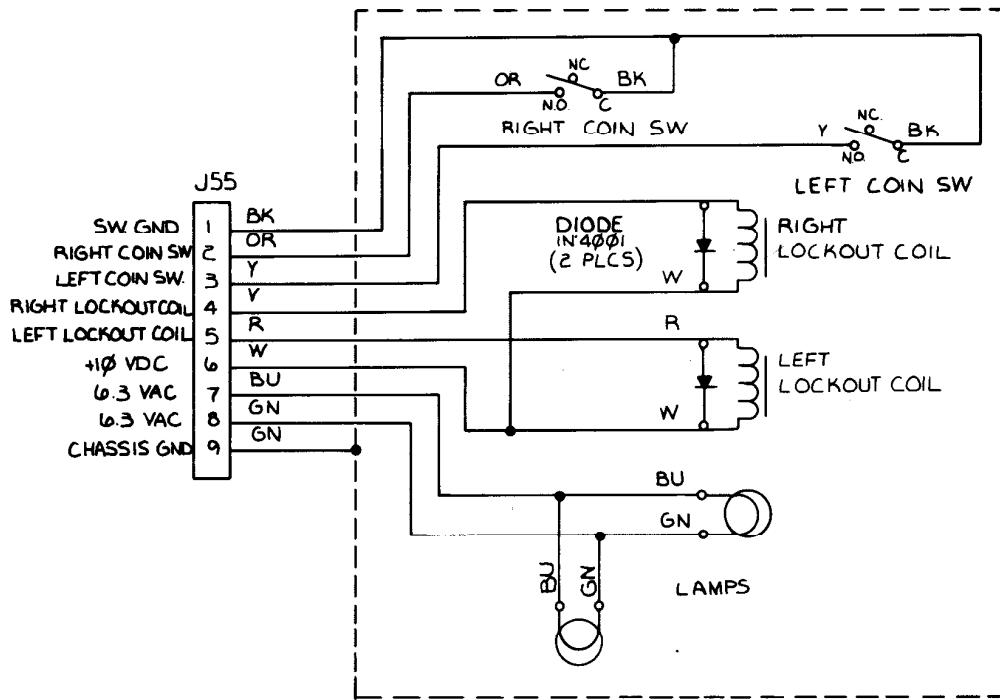
SP-229 Sheet 2B

1st Printing

BASEMENT ARCADE

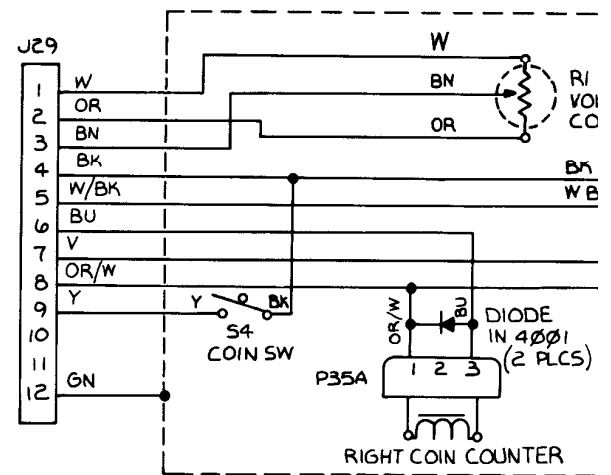
www.basementarcade.com **CLASSICS**

Coin-Door Wiring Diagram



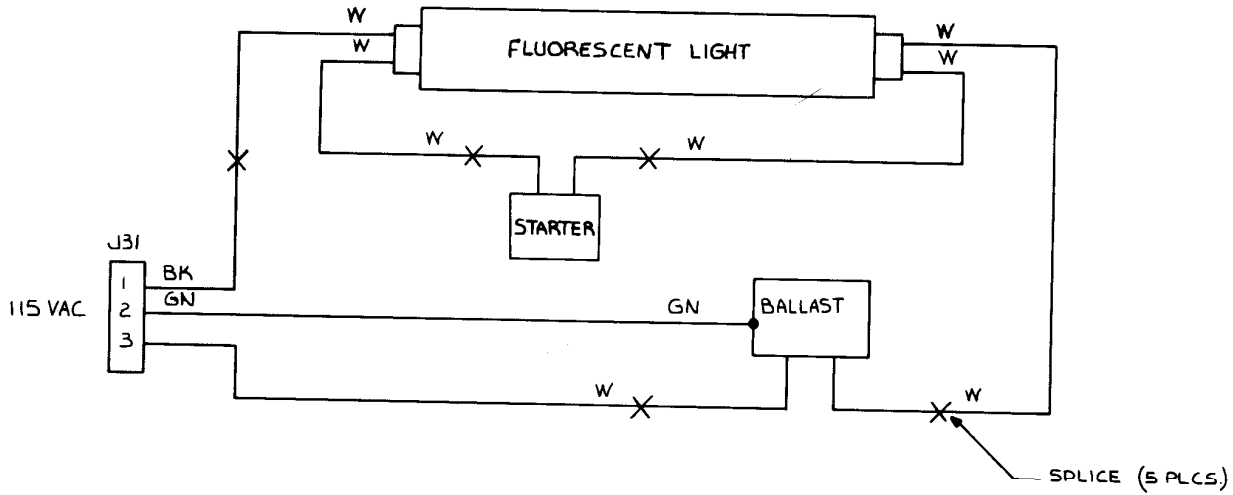
115

Utility Panel Wiring Diagram

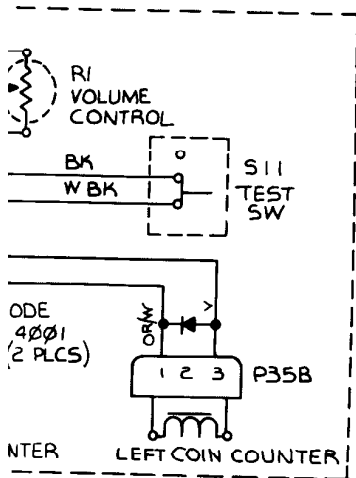


**BASEMENT
ARCADE
CLASSICS**

Fluorescent Light Wiring Diagram



ng Diagram



NOTICE TO ALL PERSONS RECEIVING THIS DRAWING

CONFIDENTIAL: Reproduction forbidden without the specific written permission of Atari, Inc., Sunnyvale, CA. This drawing is only conditionally issued, and neither receipt nor possession thereof confers or transfers any right in, or license to use, the subject matter of the drawing or any design or technical information shown thereon, nor any right to reproduce this drawing or any part thereof. Except for manufacture by vendors of Atari, Inc., and for manufacture under the corporation's written license, no right is granted to reproduce this drawing or the subject matter thereof, unless by written agreement with or written permission from the corporation.

Food Fight Game Wiring Interfaces



A Warner Communications Company

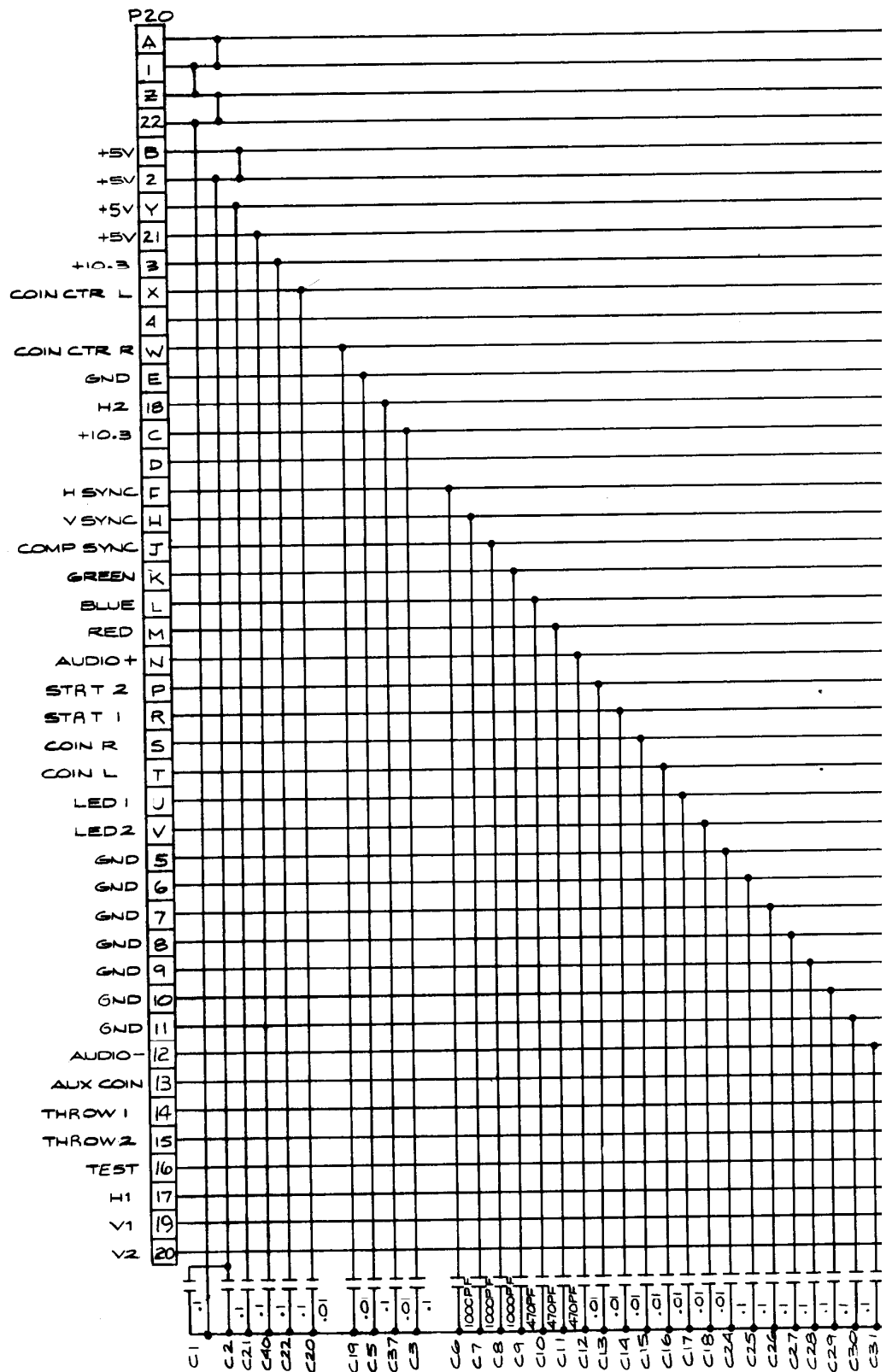
© ATARI INC. 1983

SP-229 Sheet 3A

1st Printing

**BASEMENT
ARCADE**

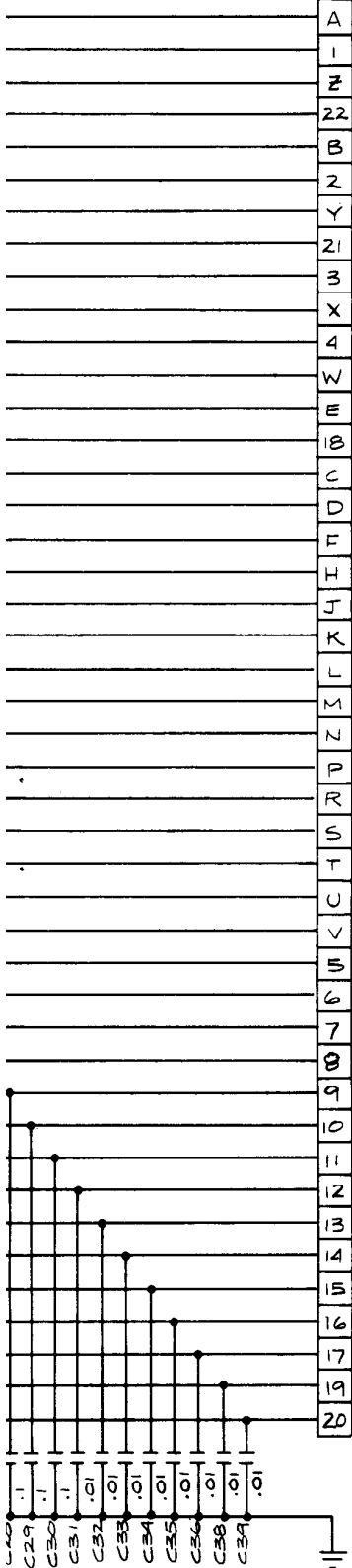
www.basementarcade.com **CLASSICS**



**BASMENT
ARCADE**

www.basementarcade.com **CLASSICS**

J20



NOTICE TO ALL PERSONS RECEIVING THIS DRAWING

CONFIDENTIAL: Reproduction forbidden without the specific written permission of Atari, Inc., Sunnyvale, CA. This drawing is only conditionally issued, and neither receipt nor possession thereof confers or transfers any right in, or license to use, the subject matter of the drawing or any design or technical information shown thereon, nor any right to reproduce this drawing or any part thereof. Except for manufacture by vendors of Atari, Inc., and for manufacture under the corporation's written license, no right is granted to reproduce this drawing or the subject matter thereof, unless by written agreement with or written permission from the corporation.

EMI Shield Schematic Diagram



A Warner Communications Company

© ATARI INC. 1983

SP-229 Sheet 3B

1st Printing

BASEMENT ARCADE

www.basementarcade.com **CLASSICS**

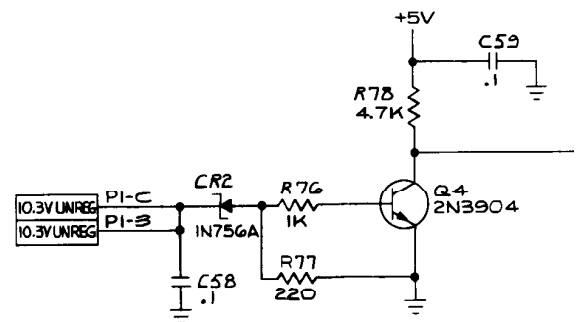
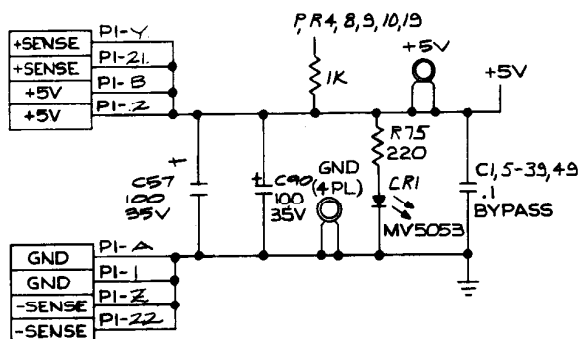
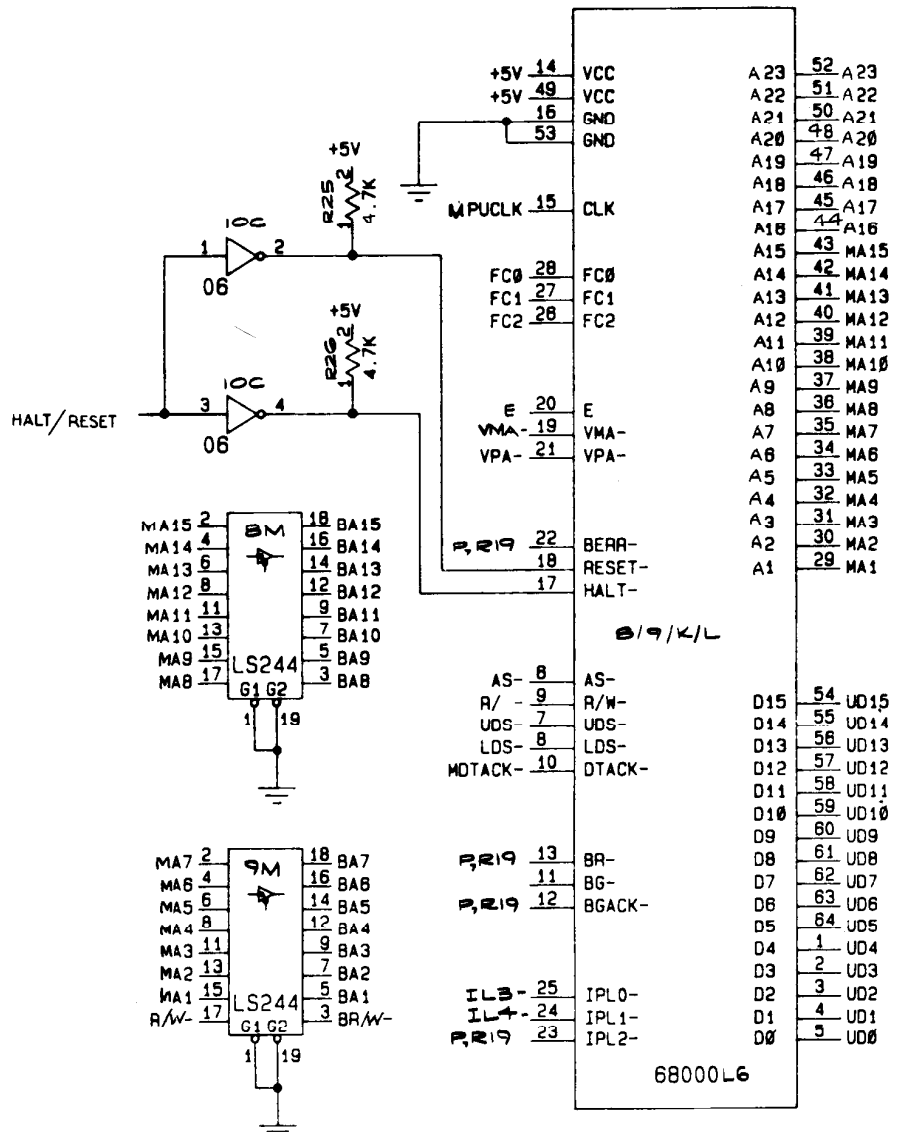
MEMORY I

HEXADECIMAL ADDRESS	ADDRESS BUS SIGNAL LINES																							
	A23	A22	A21	A20	A19	A18	A17	A16	A15	A14	A13	A12	A11	A10	A9	A8	A7	A6	A5	A4	A3	A2	A1	A0
000000-00FFFF	0	0	0	0	0	0	0	0	A	A	A	A	A	A	A	A	A	A	A	A	A	A	A	A
014000-01BFFF	0	0	0	0	0	0	0	1	0	1	A	A	A	A	A	A	A	A	A	A	A	A	A	A
01C000-01C0FF	0	0	0	0	0	0	0	1	1	1	0	0	0	0	0	0	A	A	A	A	A	A	A	A
																							0	0
																							0	1
																							1	0
																							1	0
800000-8007FF	1	0	0	0	0	0	0	0	0	0	0	0	0	A	A	A	A	A	A	A	A	A	A	A
900000-9001FF	1	0	0	1	0	0	0	0	0	0	0	0	0	0	0	A	A	A	A	A	A	A	A	A
940000-940007	1	0	0	1	0	1	0	0	0	0	0	0	0	0	0	0	0	0	0	0	0	0	A	A
944000-944007									0	0	1	0	0	0	0	0	0	0	0	0	0	0	A	A
948000									0	1	0												A	A
950000-9503FF	1	0	0	1	0	1	0	1	0	0	0	0	0	0	A	A	A	A	A	A	A	A	A	A
954000									1	0	1													
958000									1	1	0													
A40000-A4001F	1	0	1	0	0	1	0	0	0	0	0	0	0	0	0	0	0	0	0	0	A	A	A	A
A80000-A8001F	1	0	1	0	1	0	0	0	0	0	0	0	0	0	0	0	0	0	0	0	A	A	A	A
	1	0	1	0	1	1	0	0	0	0	0	0	0	0	0	0	0	0	0	0	A	A	A	A
000000-7FFFFFFF	0	A	A	A	A	A	A	A	A	A	A	A	A	A	A	A	A	A	A	A	A	A	A	A
940000-97FFFFFFF	1	0	0	1	0	1	A	A	A	A	A	A	A	A	A	A	A	A	A	A	A	A	A	A

DRY MAP

			RW	DATA BUS SIGNAL LINES													FUNCTION		
A2	A1	A0		D15	D14	D13	D12	D11	D10	D9	D8	D7	D6	D5	D4	D3		D2	D1
A	A	A	R	D	D	D	D	D	D	D	D	D	D	D	D	D	D	D	PROGRAM ROM
A	A	A	RW	D	D	D	D	D	D	D	D	D	D	D	D	D	D	D	PROGRAM RAM
A	A	A	RW	D	D	D	D	D	D	D	D	D	D	D	D	D	D	D	PROGRAM RAM
A	A	A	RW	D	D	D	D	D	D	D	D	D	D	D	D	D	D	D	MOTION OBJECT RAM
	0	0																	VERTICAL POSITION
	0	1		D	D	D	D	D	D	D									HORIZONTAL POSITION
	1	0								D	D	D	D	D	D	D			PICTURE
	1	0		D	D	D	D	D	D	D									COLOR
A	A	A	RW	D	D	D	D	D	D	D	D	D	D	D	D	D	D	D	PLAYFIELD
A	A	A	RW												D	D	D	D	NVRAM
A	A	A	R								D	D	D	D	D	D			ANALOG IN
A	A	A	R																ANALOG OUT
			R															D	COIN 1 (DIGITAL IN)
			R															D	COIN 2
			R													D			START 1
			R												D				START 2
			R											D					COIN AUX
			R																THROW 1
			R																THROW 2
			R																TEST
			W															D	PFFLIP
			W															D	UPDATE
			W														D		INT3RST
			W															D	INT4RST
			W																LED 1
			W																LED 2
			W																COUNTERL
			W																COUNTERR
A	A	A	W								D	D	D	D	D	D	D		COLORAM
			W																RECALL
			W																WATCHDOG
A	A	A	RW								D	D	D	D	D	D	D		AUDIO 1
A	A	A	RW								D	D	D	D	D	D	D		AUDIO 0
A	A	A	RW								D	D	D	D	D	D	D		AUDIO 2
A	A	A	RW																DTACK
A	A	A	RW																VPA

<p>NOTICE TO ALL PERSONS RECEIVING THIS DRAWING</p> <p>CONFIDENTIAL: Reproduction forbidden without the specific written permission of Atari, Inc., Sunnyvale, CA. This drawing is only conditionally issued, and neither receipt nor possession thereof confers or transfers any right in, or license to use, the subject matter of the drawing or any design or technical information shown thereon, nor any right to reproduce this drawing or any part thereof. Except for manufacture by vendors of Atari, Inc., and for manufacture under the corporation's written license, no right is granted to reproduce this drawing or the subject matter thereof, unless by written agreement with or written permission from the corporation.</p>	<h2>Food Fight Memory Map</h2>  <p>© ATARI INC. 1983</p> <p>SP-229 Sheet 4A 1st Printing</p> <p>BASEMENT ARCADE CLASSICS</p>
---------------------------------------------------------------------------------------------------------------------------------------------------------------------------------------------------------------------------------------------------------------------------------------------------------------------------------------------------------------------------------------------------------------------------------------------------------------------------------------------------------------------------------------------------------------------------------------------------------------------------------------------------------------------------------------------------------------------------------------------------------	----------------------------------------------------------------------------------------------------------------------------------------------------------------------------------------------------------------------------

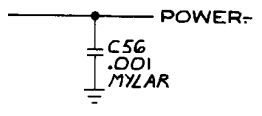
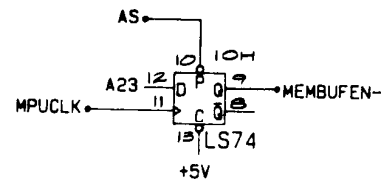
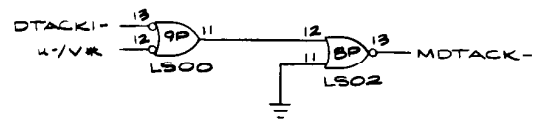
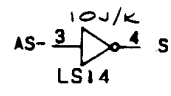
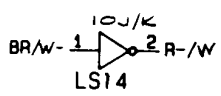
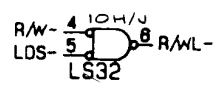
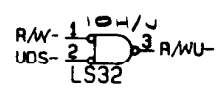
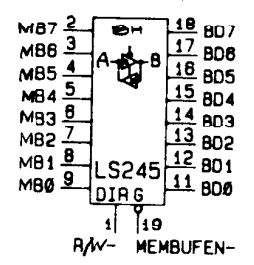
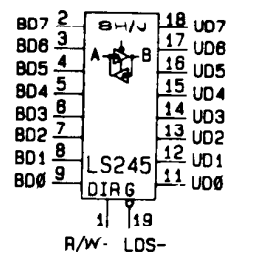
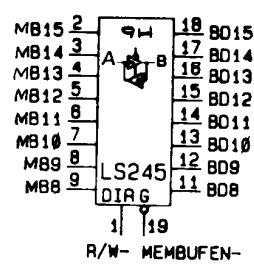
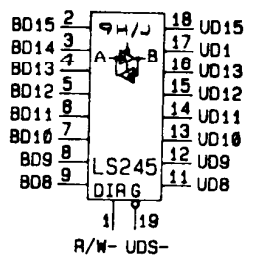


**BASEMENT
ARCADE**

www.basementarcade.com **CLASSICS**

-A23
-A22
-A21
-A20
-A19
-A18
-A17
-A16
-MA15
-MA14
-MA13
-MA12
-MA11
-MA10
-MA9
-MA8
-MA7
-MA6
-MA5
-MA4
-MA3
-MA2
-MA1

UD15
UD14
UD13
UD12
UD11
UD10
UD9
UD8
UD7
UD6
UD5
UD4
UD3
UD2
UD1
UD0



NOTICE TO ALL PERSONS RECEIVING THIS DRAWING
 CONFIDENTIAL: Reproduction forbidden without the specific written permission of Atari, Inc., Sunnyvale, CA. This drawing is only conditionally issued, and neither receipt nor possession thereof confers or transfers any right in, or license to use, the subject matter of the drawing or any design or technical information shown thereon, nor any right to reproduce this drawing or any part thereof. Except for manufacture by vendors of Atari, Inc., and for manufacture under the corporation's written license, no right is granted to reproduce this drawing or the subject matter thereof, unless by written agreement with or written permission from the corporation.

Food Fight Power/Ground and CPU Schematic Diagram



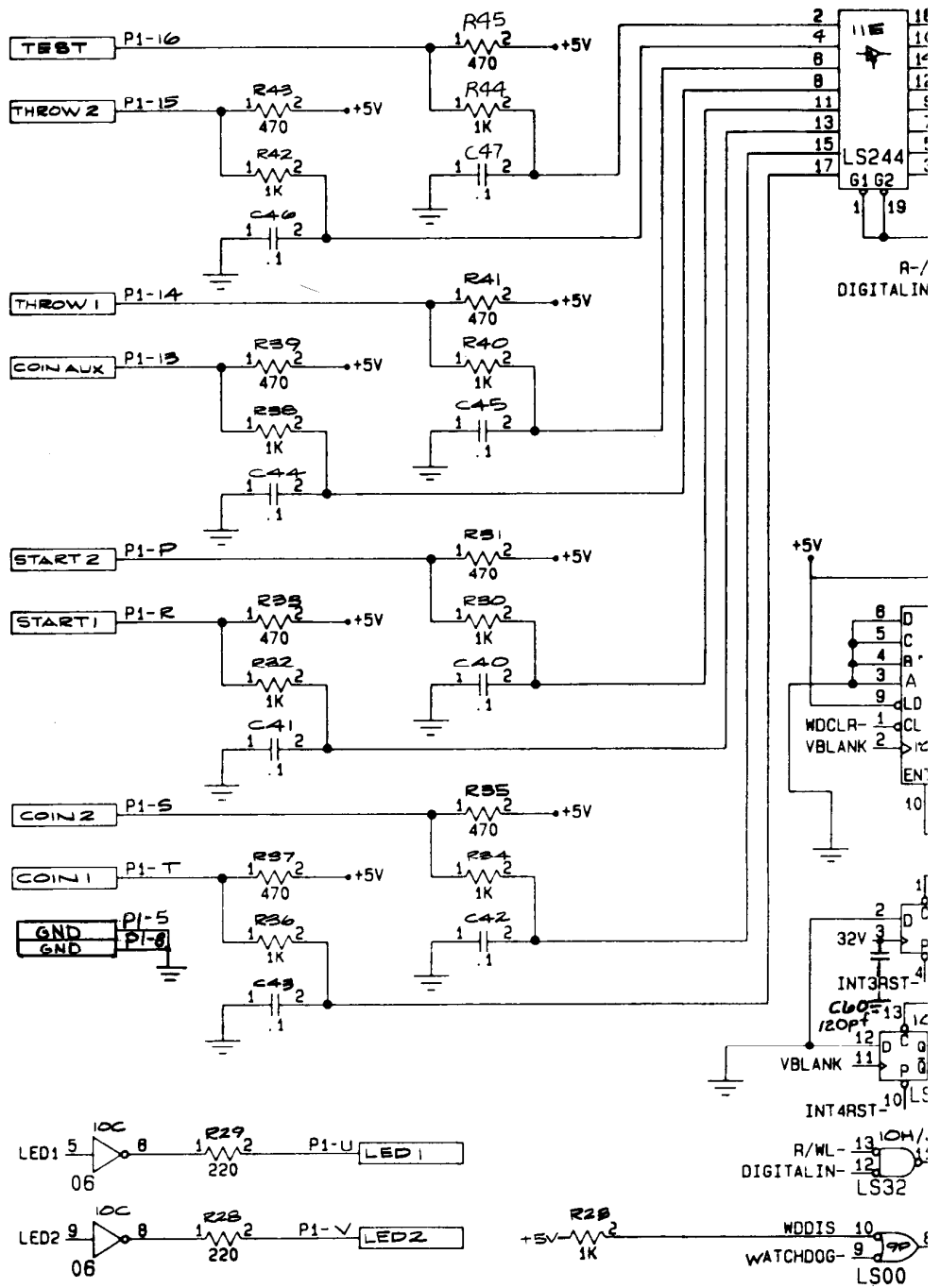
© Atari Inc. 1983
 A Warner Communications Company

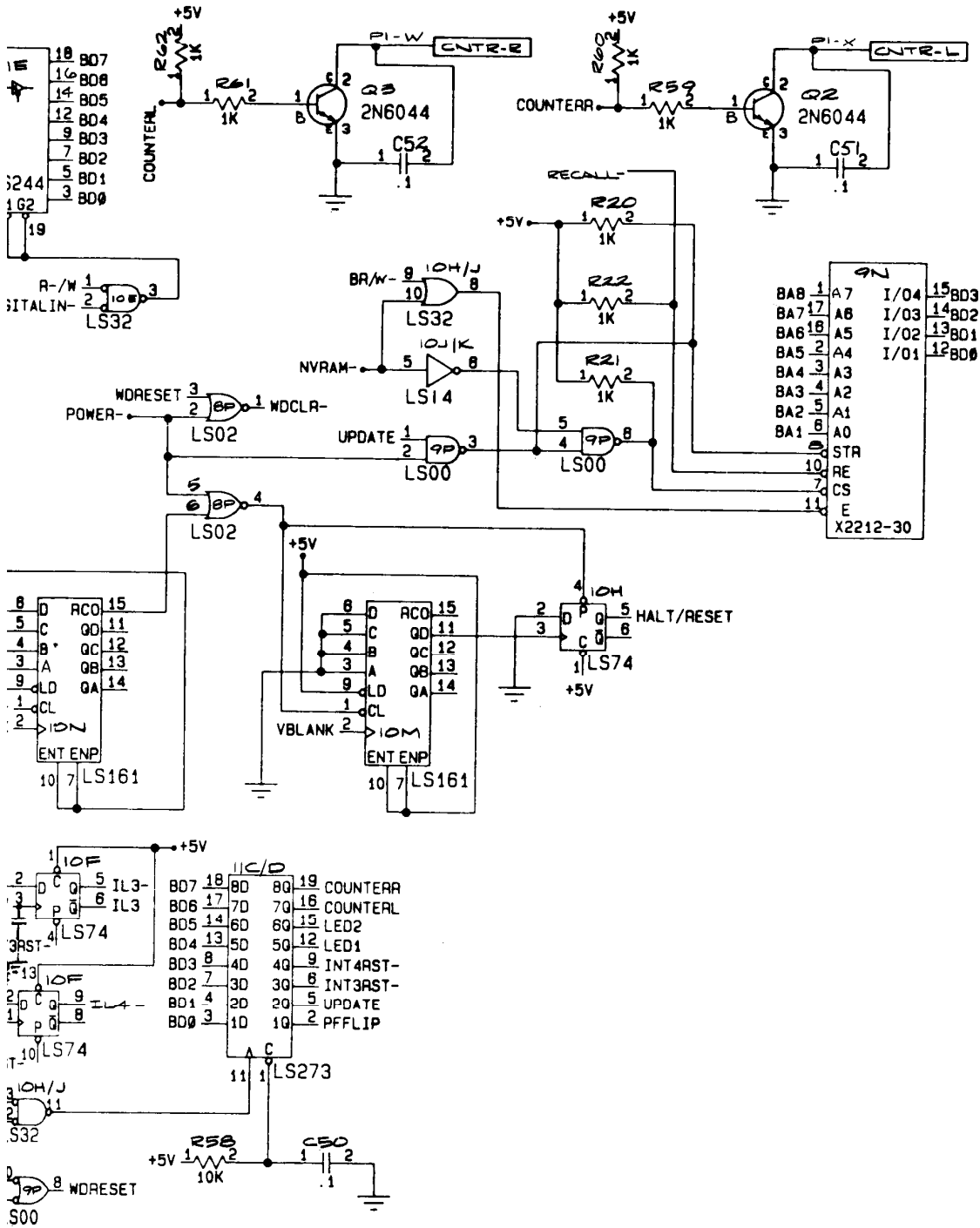
© ATARI INC. 1983

SP-229 Sheet 4B
 1st Printing

BASEMENT ARCADE

www.basementarcade.com CLASSICS





NOTICE TO ALL PERSONS RECEIVING THIS DRAWING

CONFIDENTIAL: Reproduction forbidden without the specific written permission of Atari, Inc., Sunnyvale, CA. This drawing is only conditionally issued, and neither receipt nor possession thereof confers or transfers any right in, or license to use, the subject matter of the drawing or any design or technical information shown thereon, nor any right to reproduce this drawing or any part thereof. Except for manufacture by vendors of Atari, Inc., and for manufacture under the corporation's written license, no right is granted to reproduce this drawing or the subject matter thereof, unless by written agreement with or written permission from the corporation.

Food Fight Reset and Digital I/O Schematic Diagram

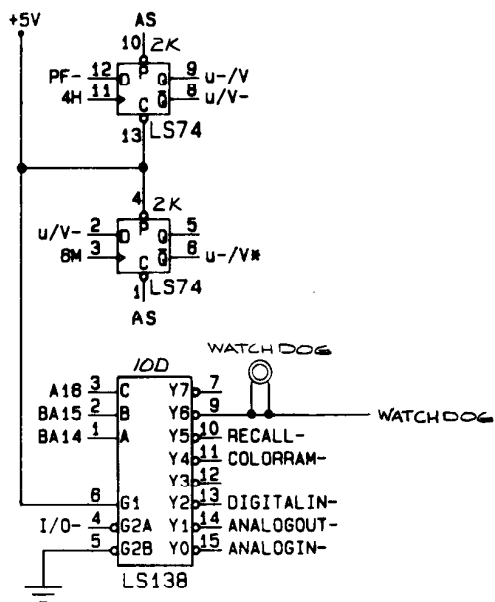
ATARI

© ATARI INC. 1983

SP-229 Sheet 5A
1st Printing

BASEMENT ARCADE CLASSICS

www.basementarcade.com



NOTICE TO ALL PERSONS RECEIVING THIS DRAWING

CONFIDENTIAL: Reproduction forbidden without the specific written permission of Atari, Inc., Sunnyvale, CA. This drawing is only conditionally issued, and neither receipt nor possession thereof confers or transfers any right in, or license to use, the subject matter of the drawing or any design or technical information shown thereon, nor any right to reproduce this drawing or any part thereof. Except for manufacture by vendors of Atari, Inc., and for manufacture under the corporation's written license, no right is granted to reproduce this drawing or the subject matter thereof, unless by written agreement with or written permission from the corporation.

Food Fight Address Decoder Schematic Diagram

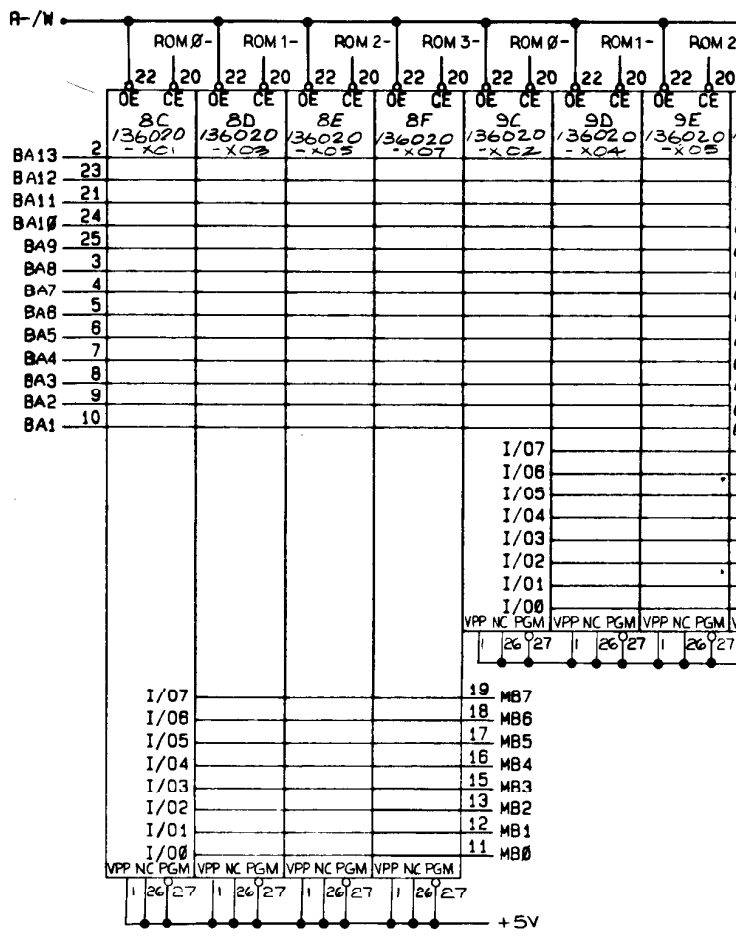


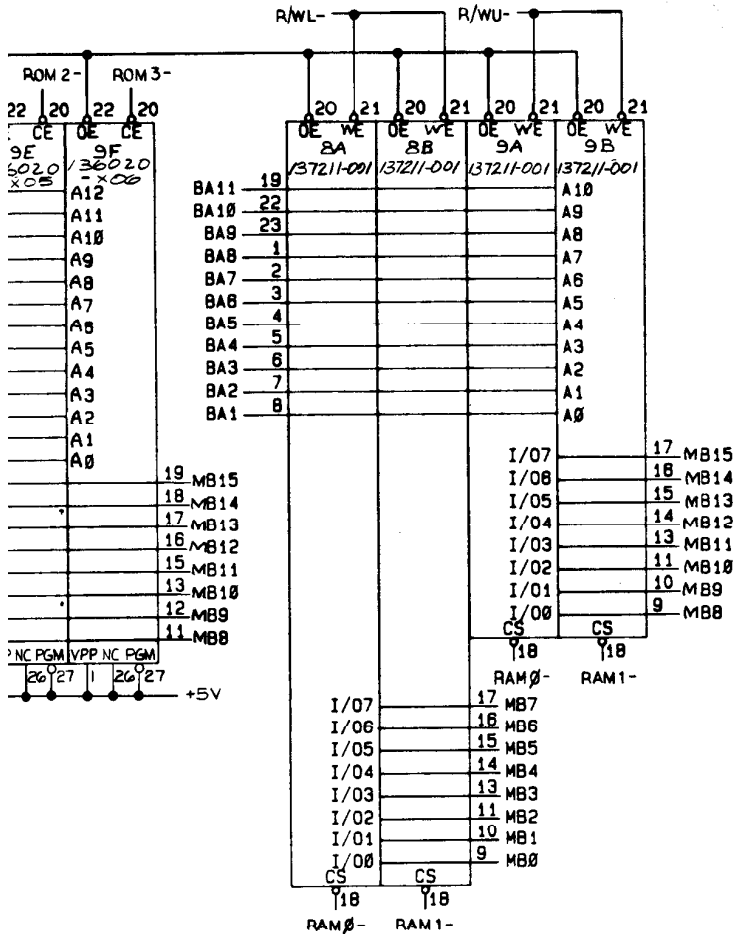
© A Warner Communications Company

© ATARI INC. 1983

SP-229 Sheet 5B
1st Printing

BASEMENT ARCADE CLASSICS





NOTICE TO ALL PERSONS RECEIVING THIS DRAWING

CONFIDENTIAL: Reproduction forbidden without the specific written permission of Atari, Inc., Sunnyvale, CA. This drawing is only conditionally issued, and neither receipt nor possession thereof confers or transfers any right in, or license to use, the subject matter of the drawing or any design or technical information shown thereon, nor any right to reproduce this drawing or any part thereof. Except for manufacture by vendors of Atari, Inc., and for manufacture under the corporation's written license, no right is granted to reproduce this drawing or the subject matter thereof, unless by written agreement with or written permission from the corporation.

Food Fight Memory Schematic Diagram



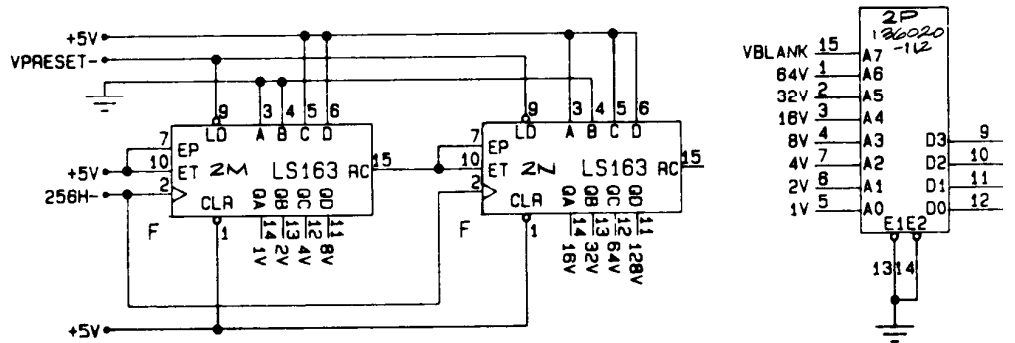
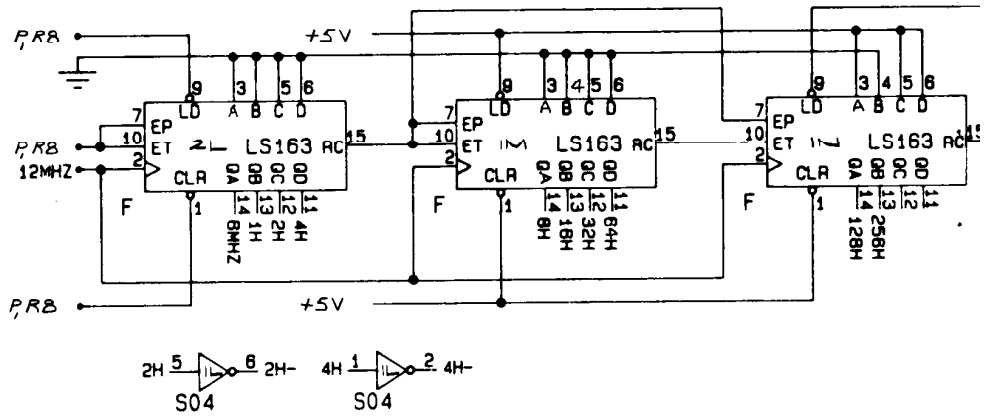
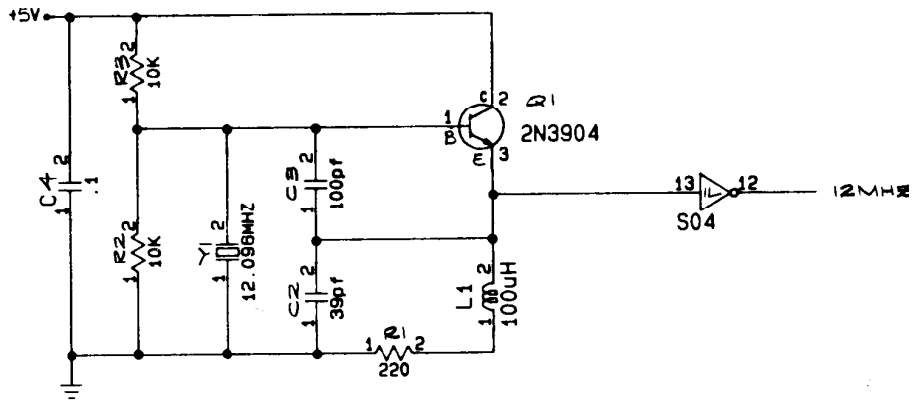
© A Warner Communications Company

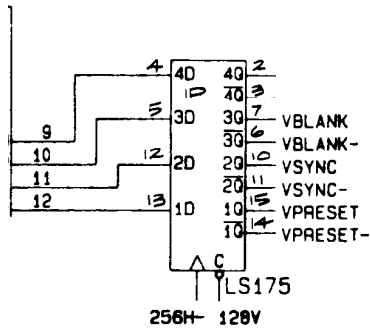
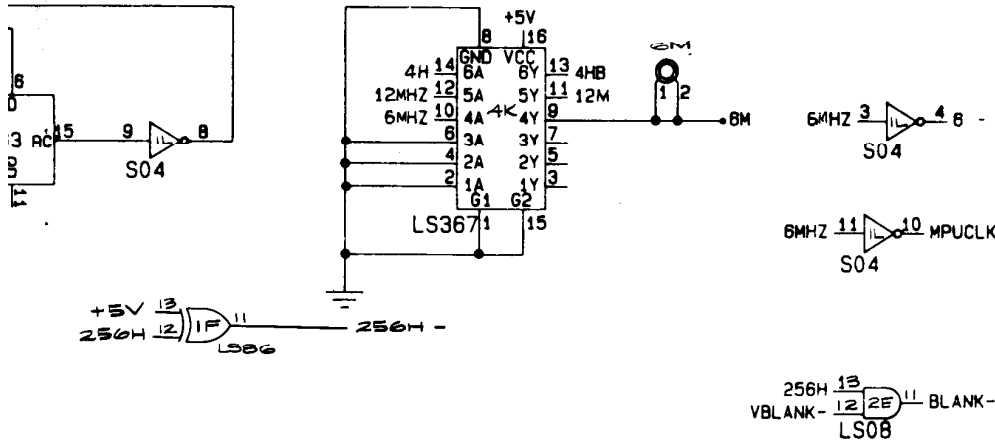
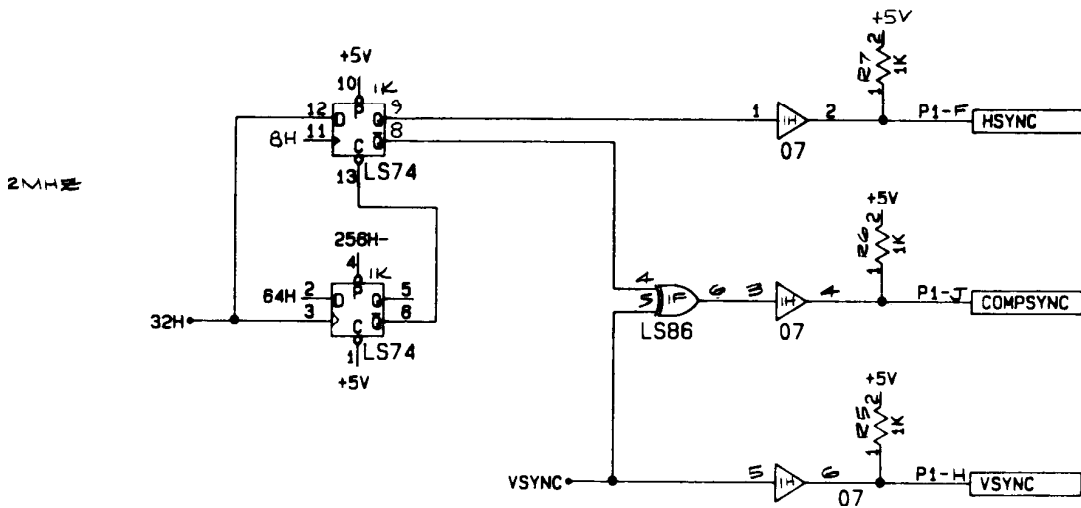
© ATARI INC. 1983

SP-229 Sheet 6A
1st Printing

**BASEMENT
ARCADE
CLASSES**

www.basementarcade.com





NOTICE TO ALL PERSONS RECEIVING THIS DRAWING

CONFIDENTIAL: Reproduction forbidden without the specific written permission of Atari, Inc., Sunnyvale, CA. This drawing is only conditionally issued, and neither receipt nor possession thereof confers or transfers any right in, or license to use, the subject matter of the drawing or any design or technical information shown thereon, nor any right to reproduce this drawing or any part thereof. Except for manufacture by vendors of Atari, Inc., and for manufacture under the corporation's written license, no right is granted to reproduce this drawing or the subject matter thereof, unless by written agreement with or written permission from the corporation.

Food Fight Sync Schematic Diagram



A Warner Communications Company

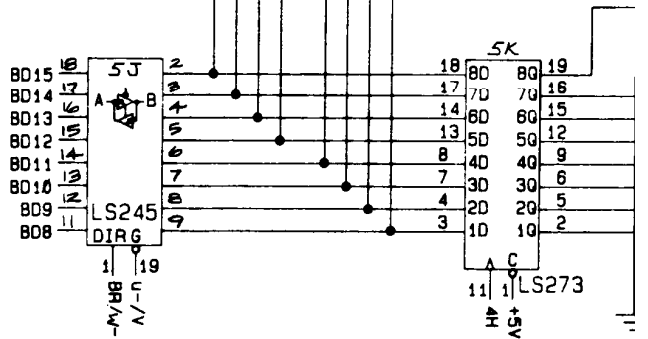
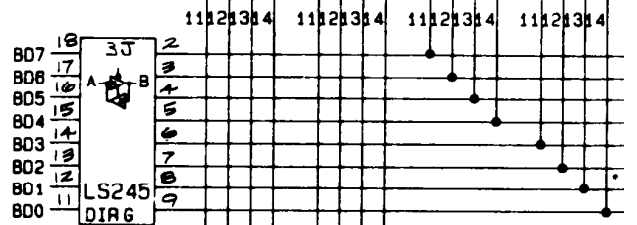
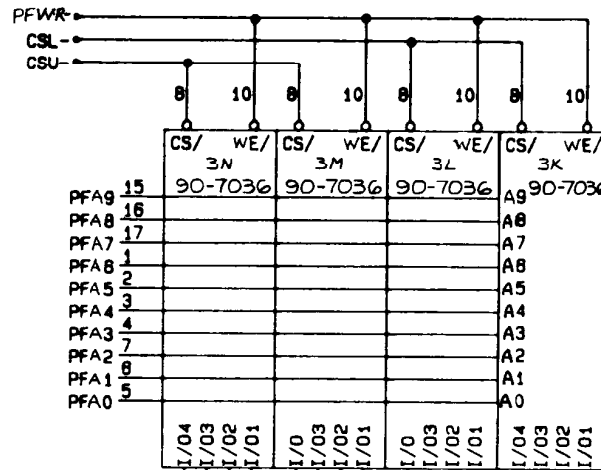
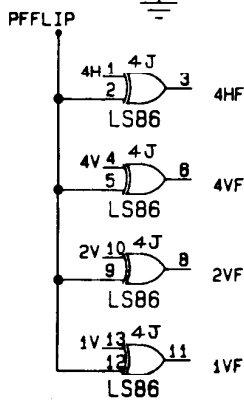
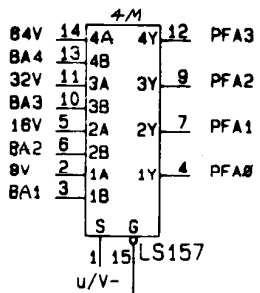
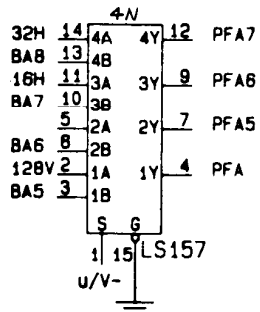
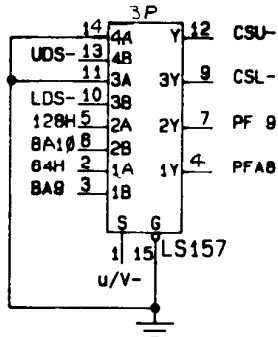
© ATARI INC. 1983

SP-229 Sheet 6B

1st Printing

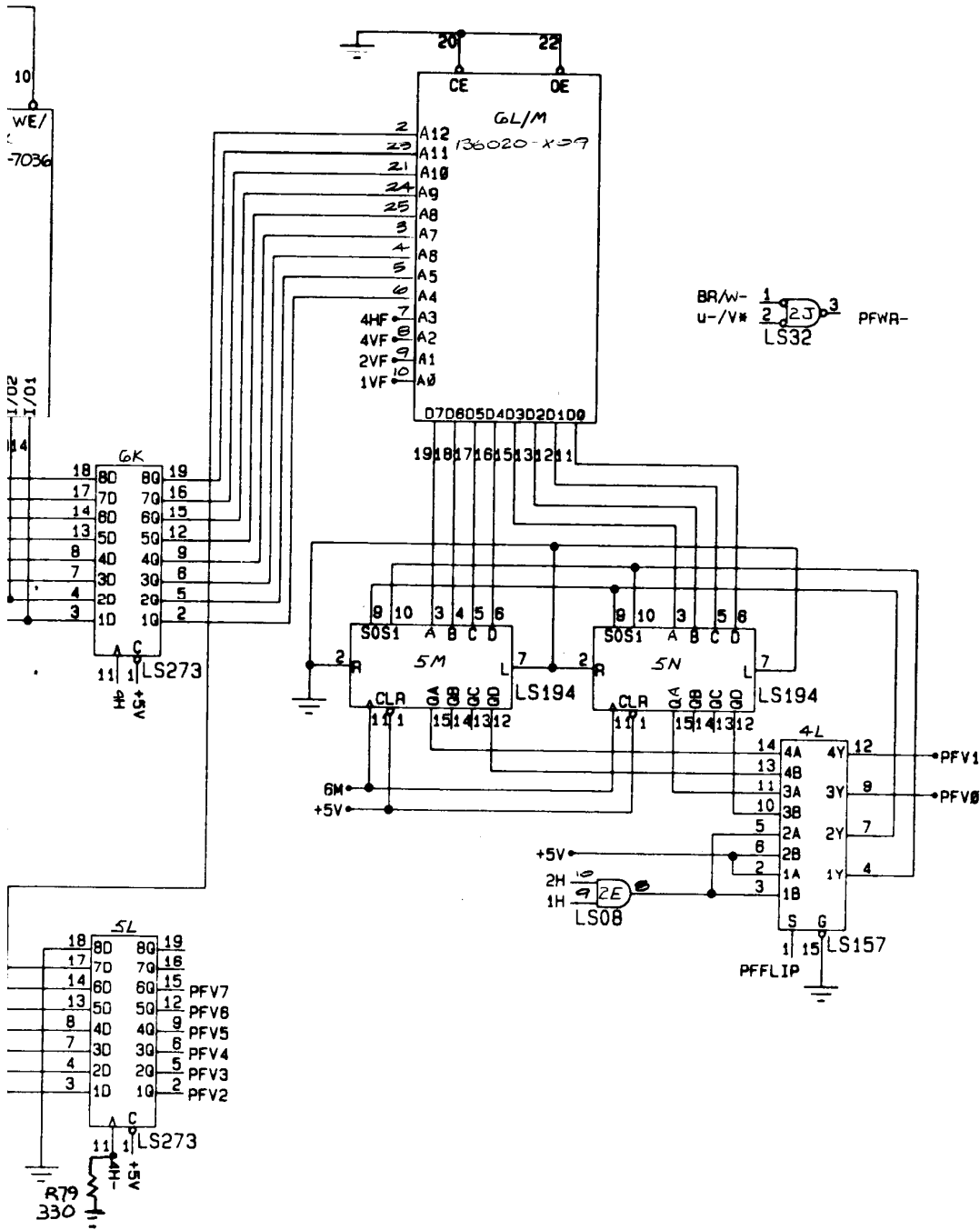
BASEMENT ARCADE

www.basementarcade.com 04A8808



**BASEMENT
ARCADE**

www.basementarcade.com **CLASSICS**



NOTICE TO ALL PERSONS RECEIVING THIS DRAWING
 CONFIDENTIAL: Reproduction forbidden without the specific written permission of Atari, Inc., Sunnyvale, CA. This drawing is only conditionally issued, and neither receipt nor possession thereof confers or transfers any right in, or license to use, the subject matter of the drawing or any design or technical information shown thereon, nor any right to reproduce this drawing or any part thereof. Except for manufacture by vendors of Atari, Inc., and for manufacture under the corporation's written license, no right is granted to reproduce this drawing or the subject matter thereof, unless by written agreement with or written permission from the corporation.

Food Fight Playfield RAM/ROM Schematic Diagram

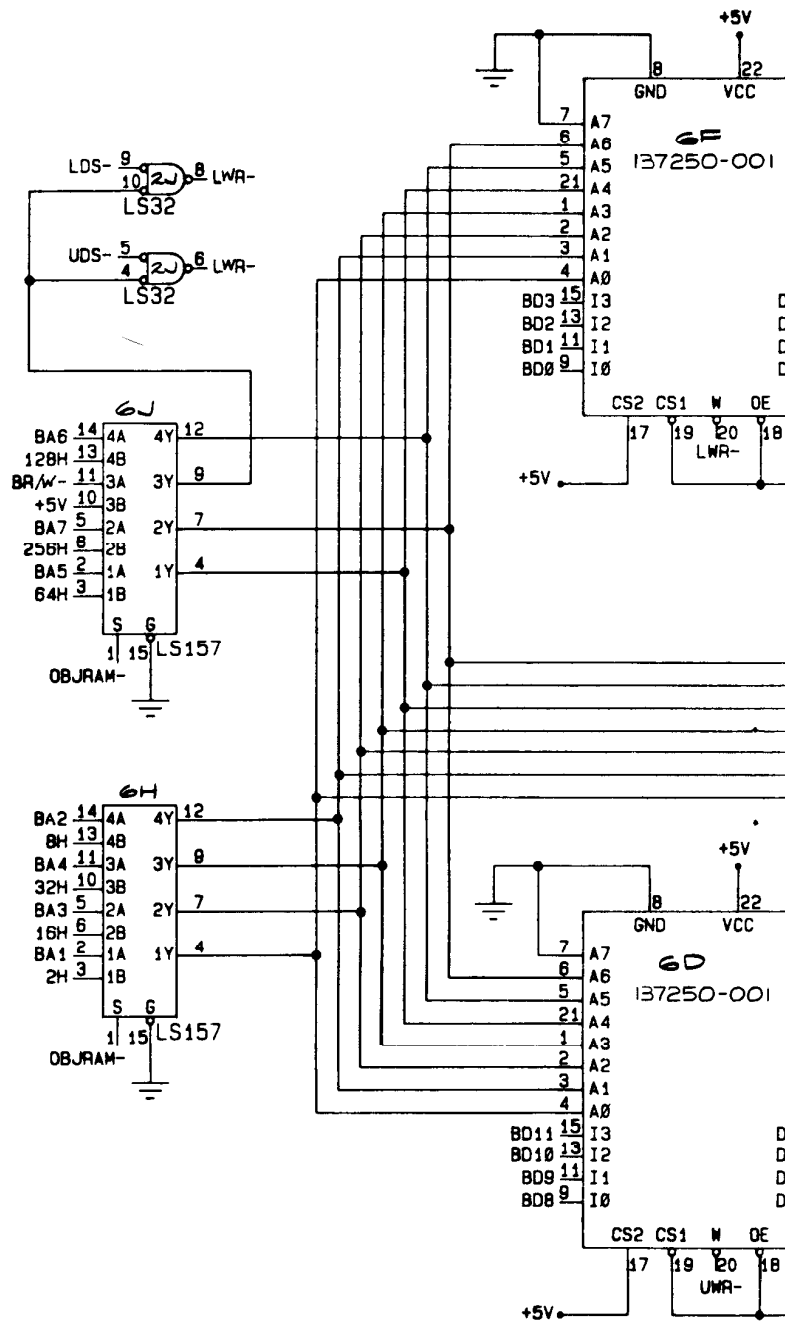


© A Warner Communications Company

© ATARI INC. 1983

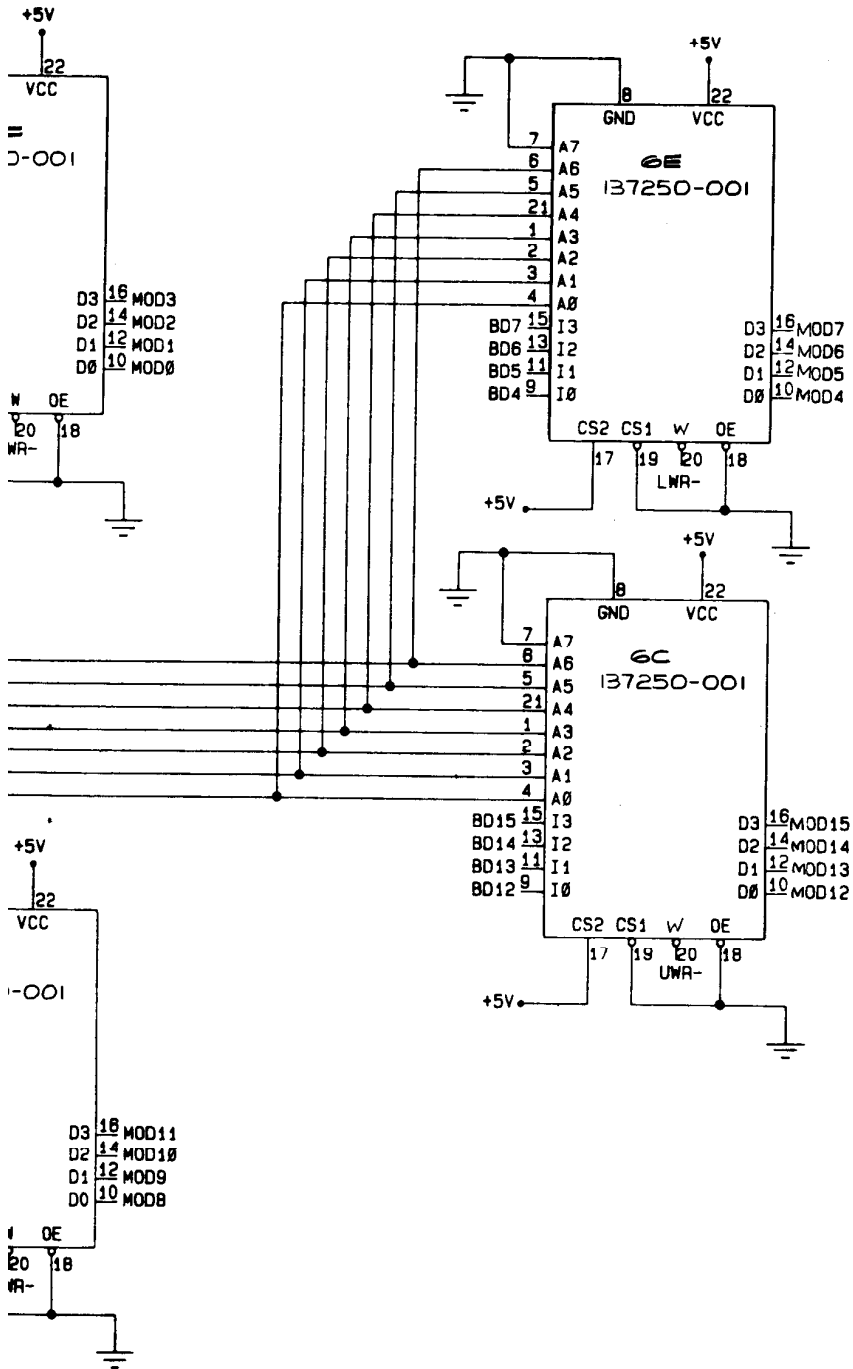
SP-229 Sheet 7A
1st Printing

BASAMENT ARCADE



**BASEMENT
ARCADE**

www.basementarcade.com **CLASSICS**



NOTICE TO ALL PERSONS RECEIVING THIS DRAWING
 CONFIDENTIAL: Reproduction forbidden without the specific written permission of Atari, Inc., Sunnyvale, CA. This drawing is only conditionally issued, and neither receipt nor possession thereof confers or transfers any right in, or license to use, the subject matter of the drawing or any design or technical information shown thereon, nor any right to reproduce this drawing or any part thereof. Except for manufacture by vendors of Atari, Inc., and for manufacture under the corporation's written license, no right is granted to reproduce this drawing or the subject matter thereof, unless by written agreement with or written permission from the corporation.

Food Fight Motion Object RAM Schematic Diagram

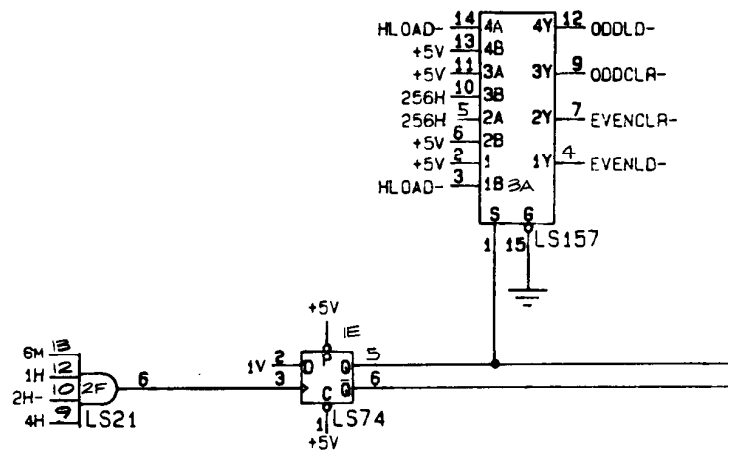
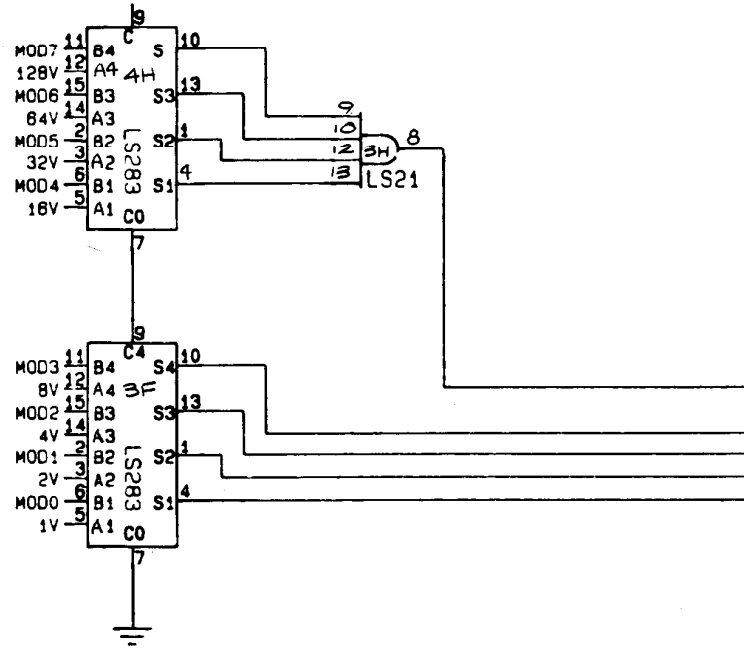


SP-229 Sheet 7B
 1st Printing

© ATARI INC. 1983

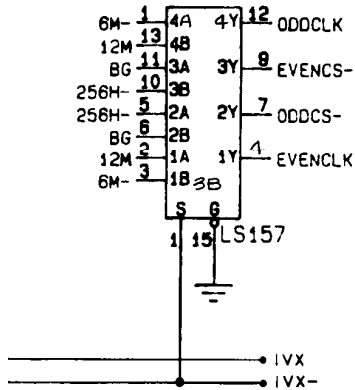
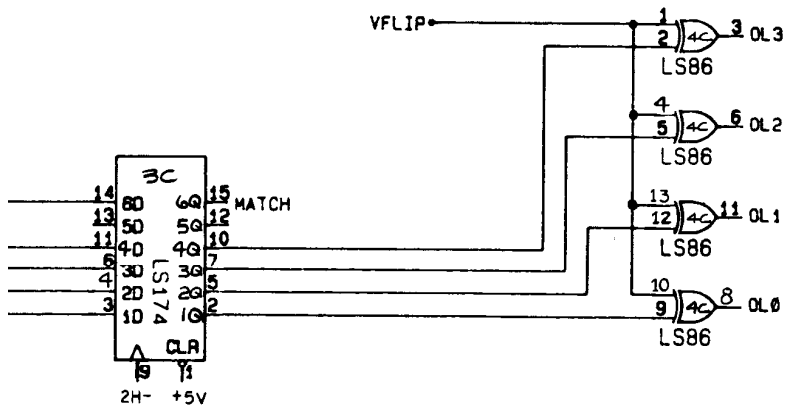
A Warner Communications Company

**BASEMENT
 ARCADE**



**BASEMENT
ARCADE
CLASSICS**

www.basementarcade.com



NOTICE TO ALL PERSONS RECEIVING THIS DRAWING

CONFIDENTIAL: Reproduction forbidden without the specific written permission of Atari, Inc., Sunnyvale, CA. This drawing is only conditionally issued, and neither receipt nor possession thereof confers or transfers any right in, or license to use, the subject matter of the drawing or any design or technical information shown thereon, nor any right to reproduce this drawing or any part thereof. Except for manufacture by vendors of Atari, Inc., and for manufacture under the corporation's written license, no right is granted to reproduce this drawing or the subject matter thereof, unless by written agreement with or written permission from the corporation.

Food Fight Vertical Position Schematic Diagram



A Warner Communications Company

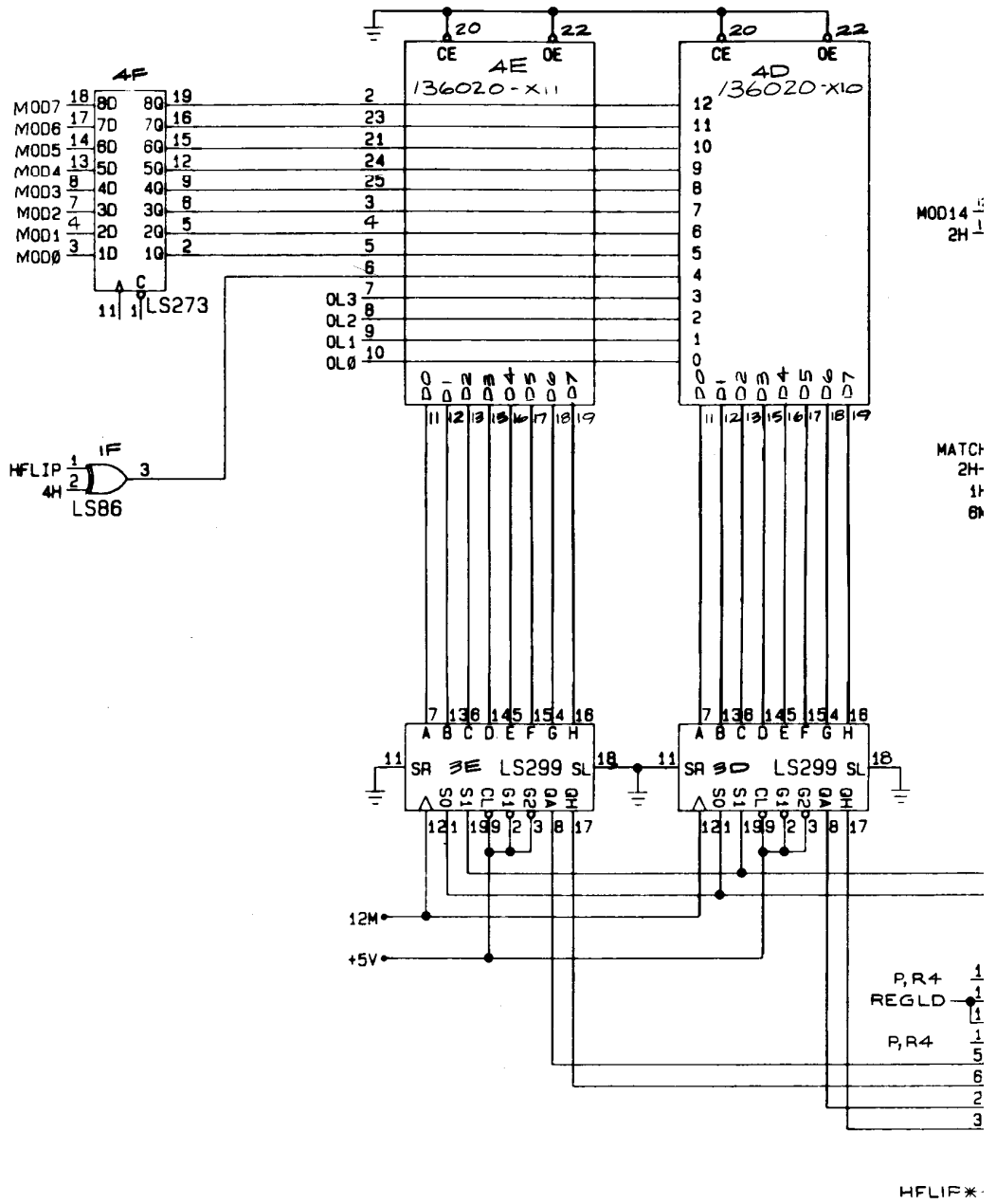
© ATARI INC. 1983

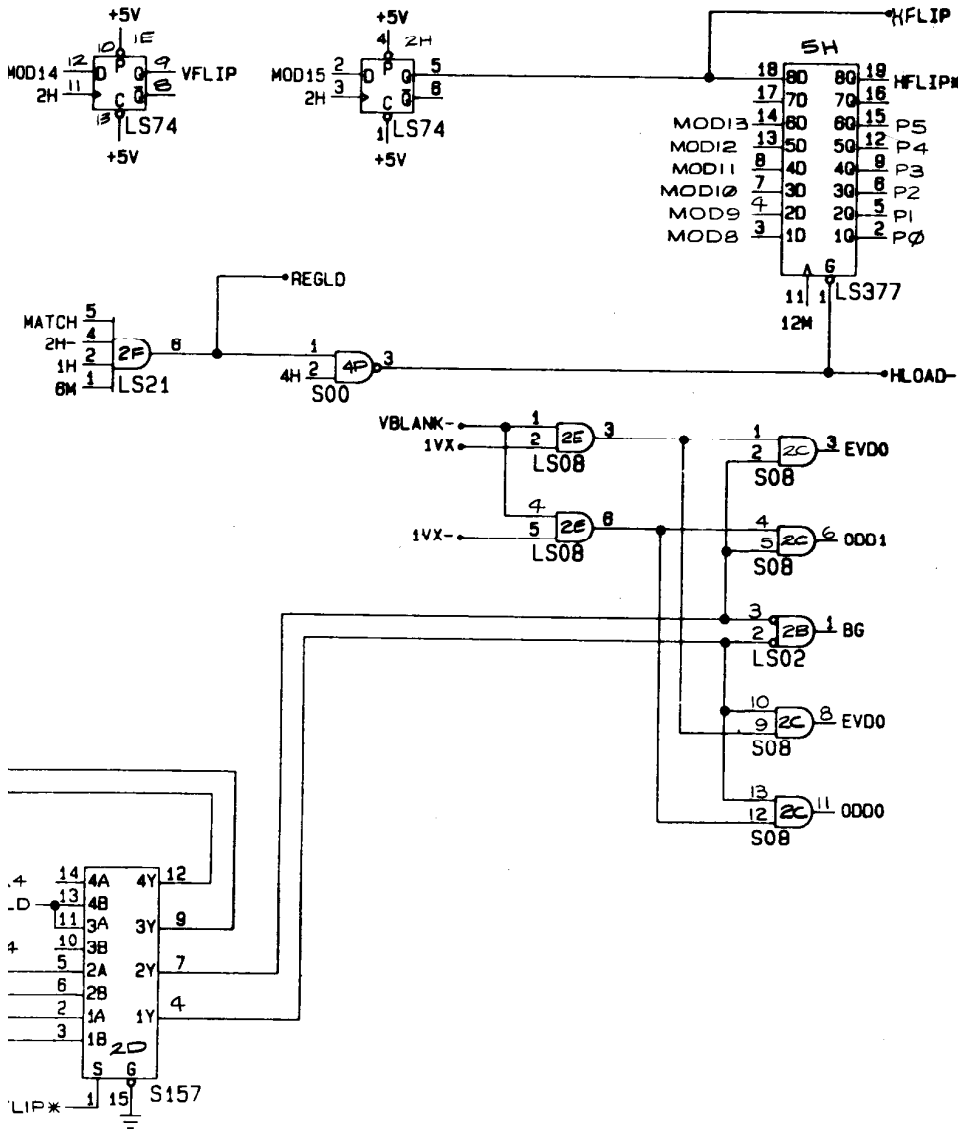
SP-229 Sheet 8A

1st Printing

BASEMENT ARCADE

www.basementarcade.com **CLASSICS**





NOTICE TO ALL PERSONS RECEIVING THIS DRAWING

CONFIDENTIAL: Reproduction forbidden without the specific written permission of Atari, Inc., Sunnyvale, CA. This drawing is only conditionally issued, and neither receipt nor possession thereof confers or transfers any right in, or license to use, the subject matter of the drawing or any design or technical information shown thereon, nor any right to reproduce this drawing or any part thereof. Except for manufacture by vendors of Atari, Inc., and for manufacture under the corporation's written license, no right is granted to reproduce this drawing or the subject matter thereof, unless by written agreement with or written permission from the corporation.

Food Fight Motion-Object ROM Schematic Diagram



© A Warner Communications Company

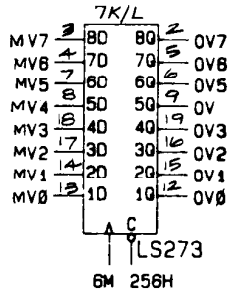
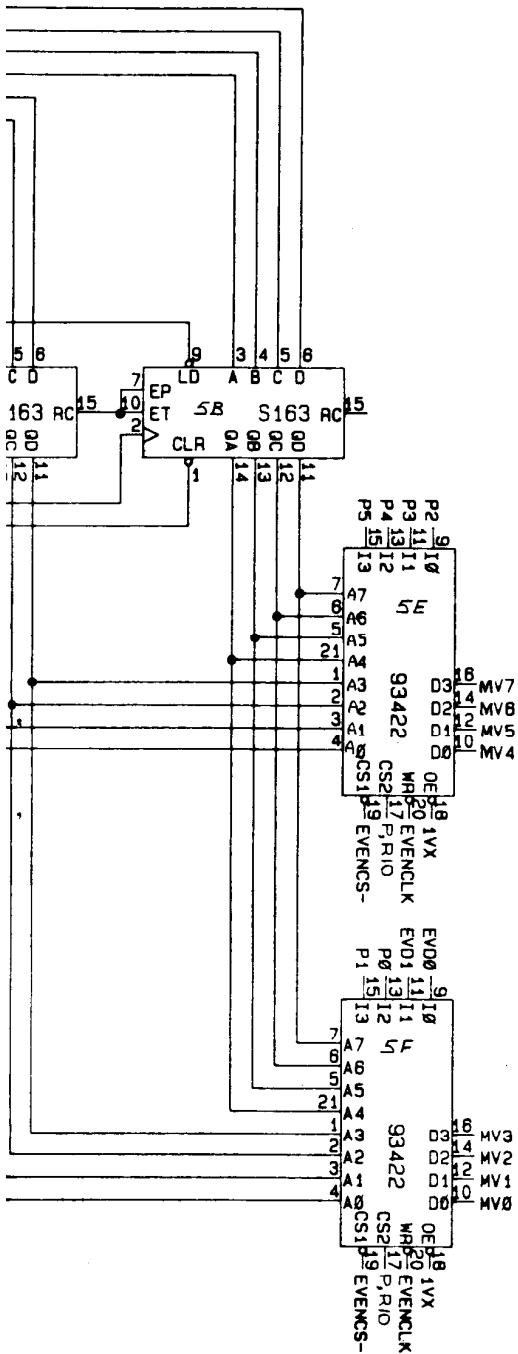
© ATARI INC. 1983

SP-229 Sheet 8B

1st Printing

BASEMENT ARCADE

www.basementarcade.com **CLASSICS**



NOTICE TO ALL PERSONS RECEIVING THIS DRAWING

CONFIDENTIAL: Reproduction forbidden without the specific written permission of Atari, Inc., Sunnyvale, CA. This drawing is only conditionally issued, and neither receipt nor possession thereof confers or transfers any right in, or license to use, the subject matter of the drawing or any design or technical information shown thereon, nor any right to reproduce this drawing or any part thereof. Except for manufacture by vendors of Atari, Inc., and for manufacture under the corporation's written license, no right is granted to reproduce this drawing or the subject matter thereof, unless by written agreement with or written permission from the corporation.

Food Fight Line Buffers Schematic Diagram



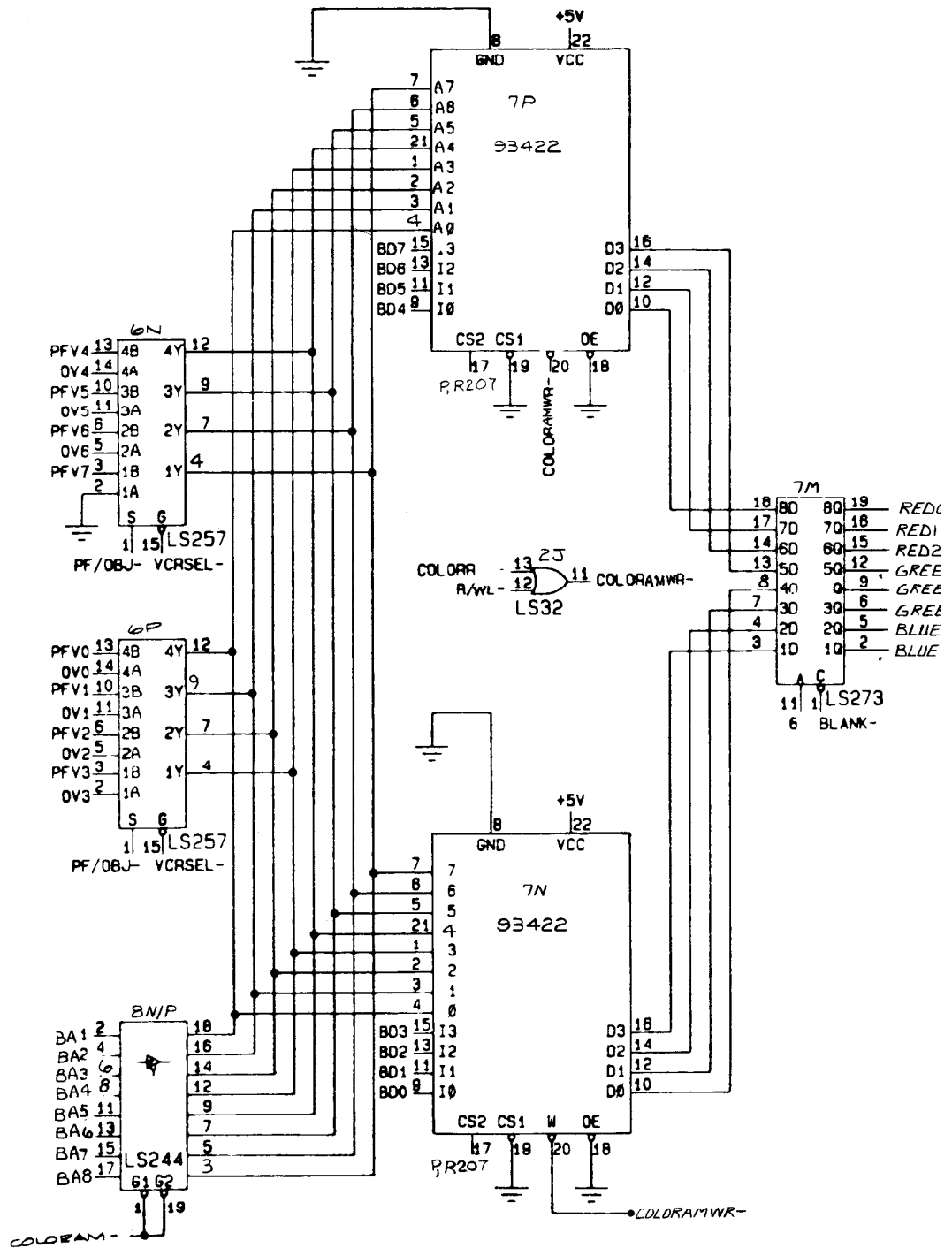
A Warner Communications Company

© ATARI INC. 1983

SP-229 Sheet 9A
1st Printing

BASEMENT ARCADE

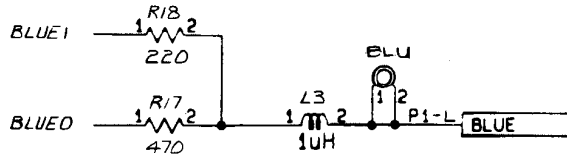
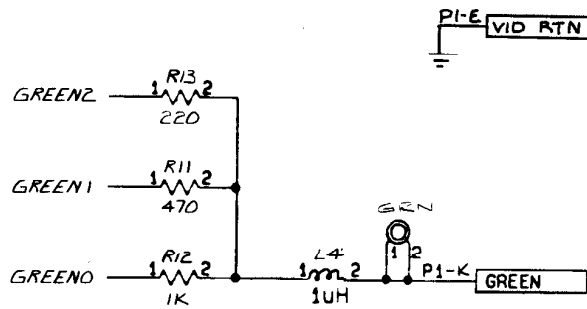
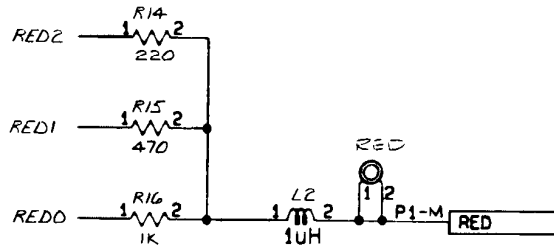
www.basementarcade.com **CLASSICS**



- 19 REDD
- 18 RED1
- 15 RED2
- 12 GREEND
- 9 GREEN1
- 6 GREEN2
- 5 BLUEO
- 2 BLUE1

.S273

.ANK-



NOTICE TO ALL PERSONS RECEIVING THIS DRAWING

CONFIDENTIAL: Reproduction forbidden without the specific written permission of Atari, Inc., Sunnyvale, CA. This drawing is only conditionally issued, and neither receipt nor possession thereof confers or transfers any right in, or license to use, the subject matter of the drawing or any design or technical information shown thereon, nor any right to reproduce this drawing or any part thereof. Except for manufacture by vendors of Atari, Inc., and for manufacture under the corporation's written license, no right is granted to reproduce this drawing or the subject matter thereof, unless by written agreement with or written permission from the corporation.

Food Fight Color RAM Schematic Diagram

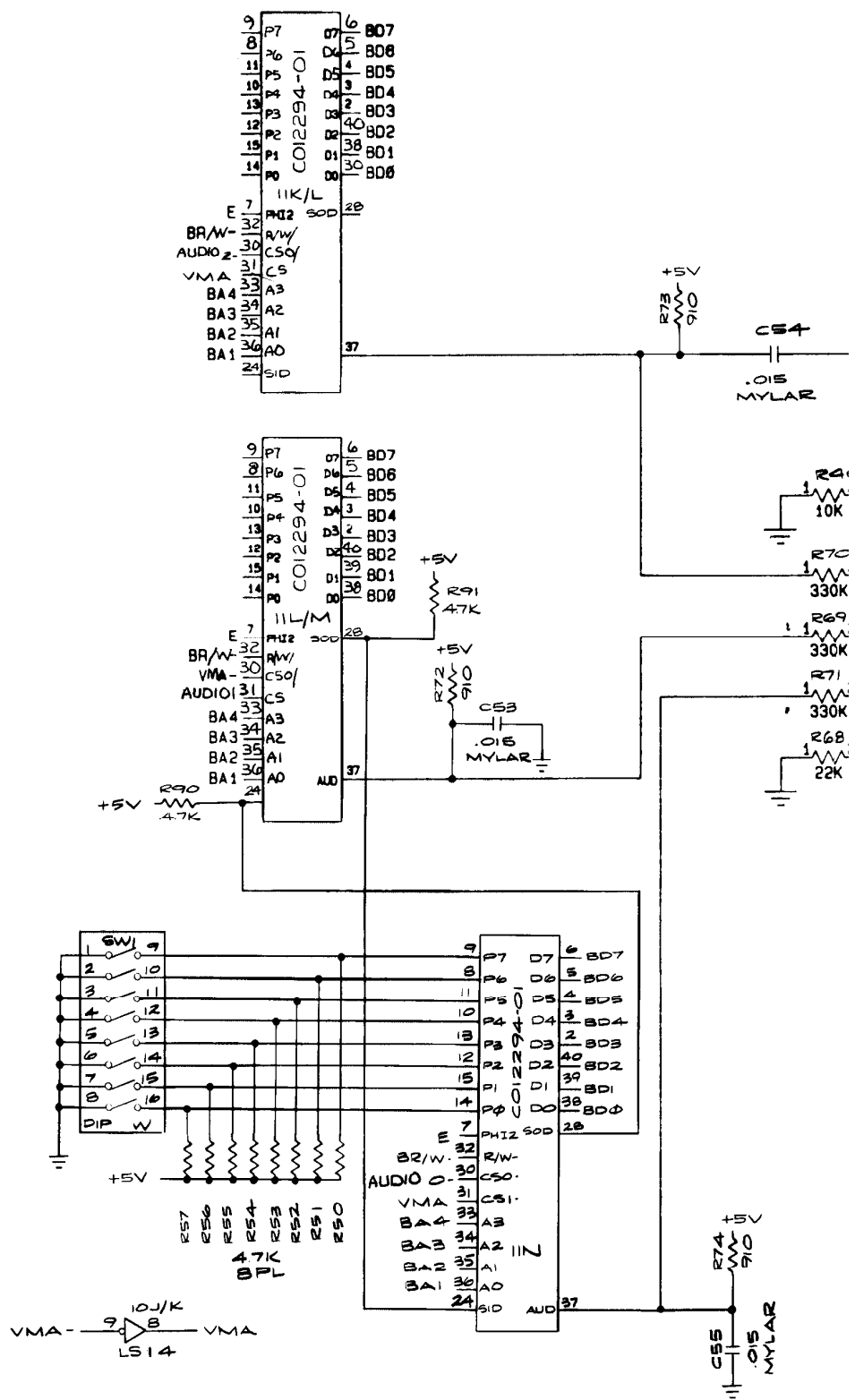


© A Warner Communications Company

© ATARI INC. 1983

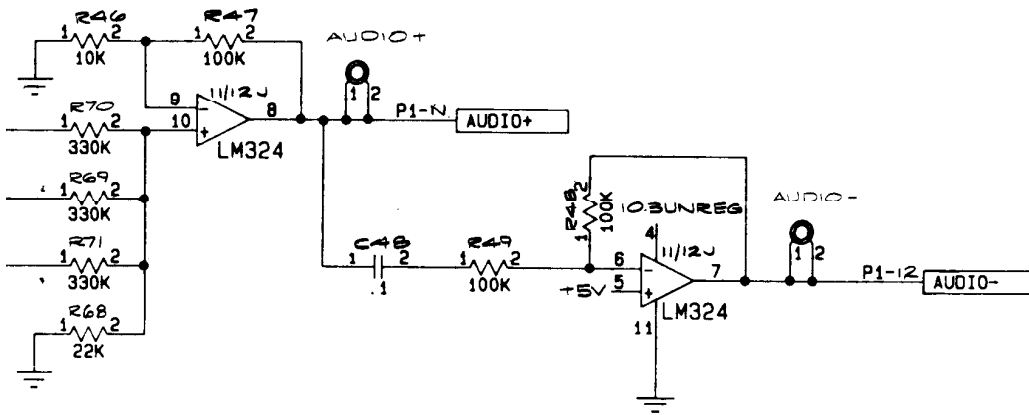
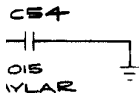
SP-229 Sheet 9B
1st Printing

**BASEMENT
ARCADE**



**BASEMENT
ARCADE**

www.basementarcade.com CLASSIC



NOTICE TO ALL PERSONS RECEIVING THIS DRAWING

CONFIDENTIAL: Reproduction forbidden without the specific written permission of Atari, Inc., Sunnyvale, CA. This drawing is only conditionally issued, and neither receipt nor possession thereof confers or transfers any right in, or license to use, the subject matter of the drawing or any design or technical information shown thereon, nor any right to reproduce this drawing or any part thereof. Except for manufacture by vendors of Atari, Inc., and for manufacture under the corporation's written license, no right is granted to reproduce this drawing or the subject matter thereof, unless by written agreement with or written permission from the corporation.

Food Fight Sound Schematic Diagram



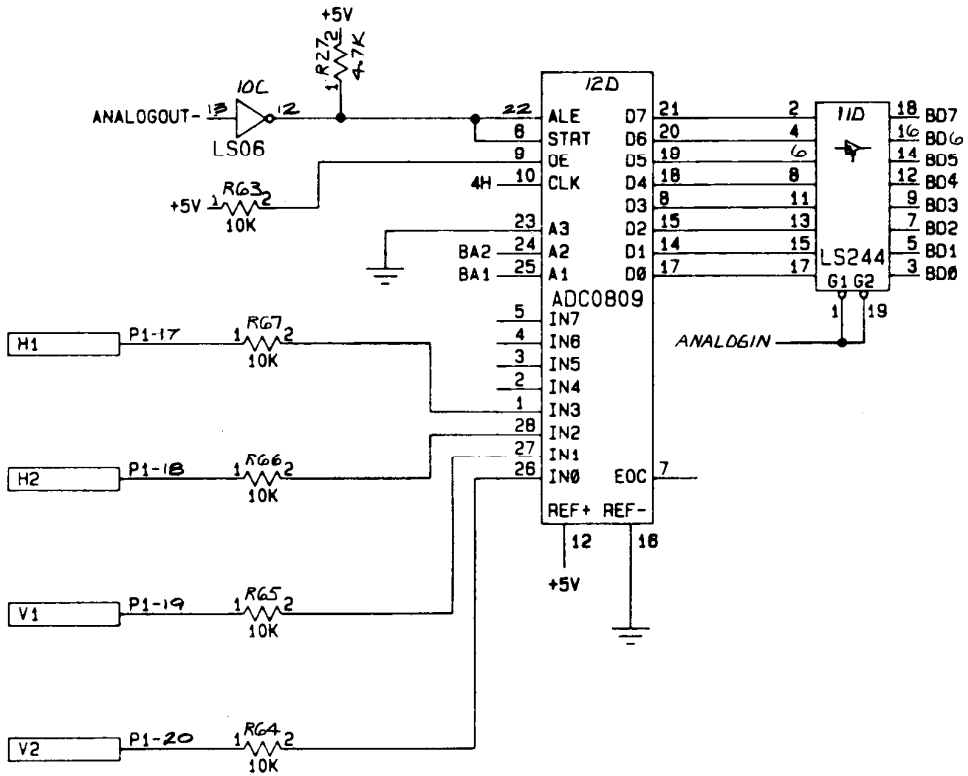
A Warner Communications Company

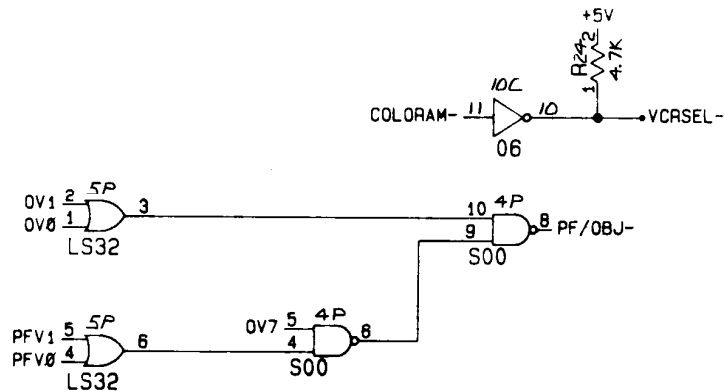
© ATARI INC. 1983

SP-229 Sheet 10A
1st Printing

**BASEMENT
ARCADE**

www.basementarcade.com **CLASSICS**





NOTICE TO ALL PERSONS RECEIVING THIS DRAWING

CONFIDENTIAL. Reproduction forbidden without the specific written permission of Atari, Inc., Sunnyvale, CA. This drawing is only conditionally issued, and neither receipt nor possession thereof confers or transfers any right in, or license to use, the subject matter of the drawing or any design or technical information shown thereon, nor any right to reproduce this drawing or any part thereof. Except for manufacture by vendors of Atari, Inc., and for manufacture under the corporation's written license, no right is granted to reproduce this drawing or the subject matter thereof, unless by written agreement with or written permission from the corporation.

Food Fight Analog Inputs Schematic Diagram



A Warner Communications Company

© ATARI INC. 1983

SP-229 Sheet 10B
1st Printing

BASEMENT ARCADE

Schematic Notes

Unless otherwise specified

Resistance: (Ω) (K \rightarrow K Ω , M \rightarrow M Ω), 1/4 (W) carbon resistor

Capacitance: 1 or higher \rightarrow (pF), less than 1 \rightarrow (μ F)
working voltage \rightarrow 50 (V)
ceramic capacitor

Inductance: (μ H)

Electrolytic Cap: Capacitance Value (μ F)/working voltage (V),
NP \rightarrow non-polar (or bipolar) electrolytic cap.

Refer to the parts list for additional component information.

$\text{\textcircled{P}}$ indicates test point connection

$\text{\textcircled{G}}$ indicates chassis ground unless otherwise specified

Hz indicates cycles per second

For safety purposes (and continuing reliability)

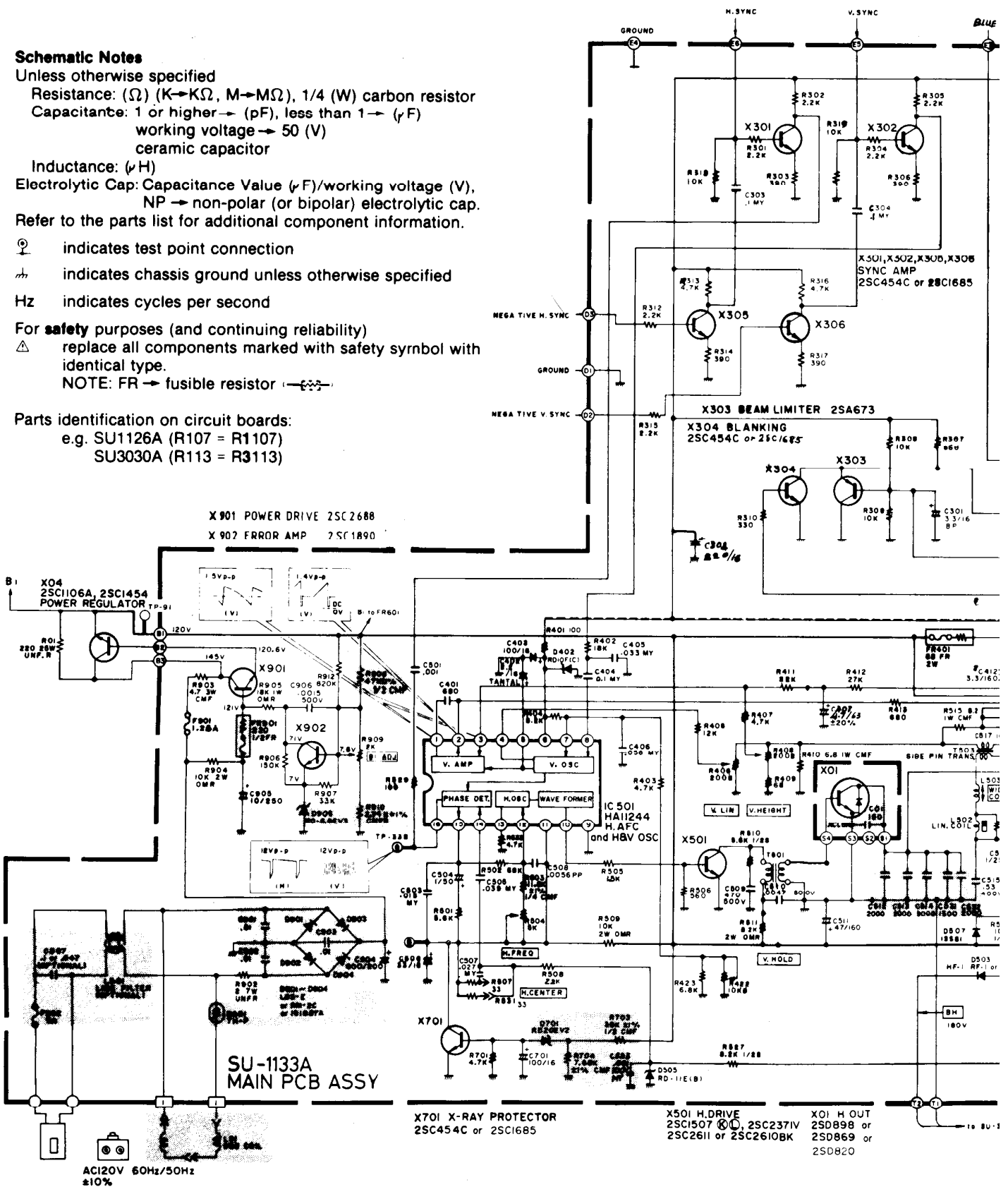
\triangle replace all components marked with safety symbol with identical type.

NOTE: FR \rightarrow fusible resistor

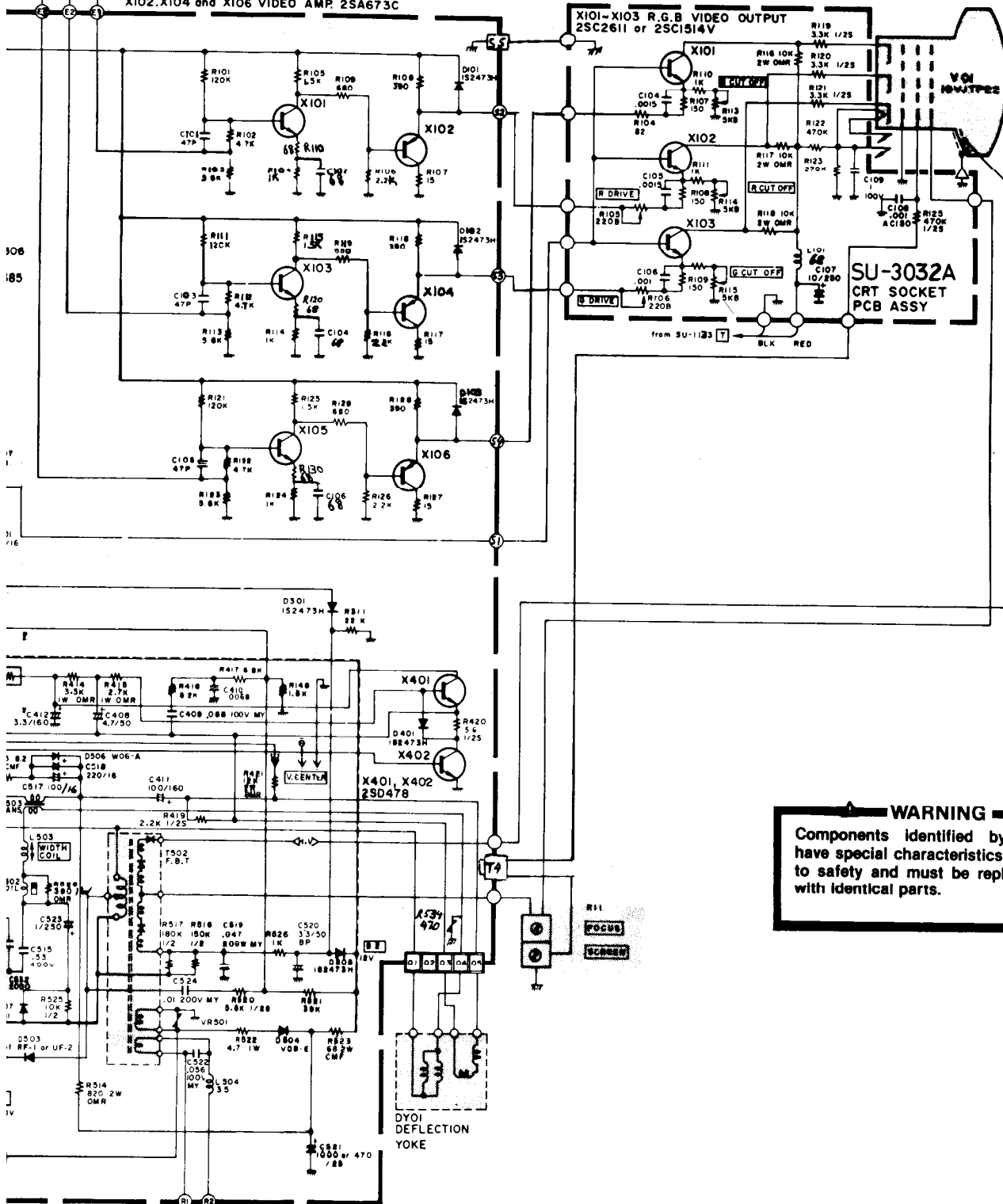
Parts identification on circuit boards:

e.g. SU1126A (R107 = R1107)

SU3030A (R113 = R3113)



BLUE GREEN RED X101, X103 and X105 VIDEO AMP. 25C454C
 X102, X104 and X106 VIDEO AMP. 25A673C




WARNING
 Components identified by shading have special characteristics important to safety and must be replaced only with identical parts.

14 BU-3032A 19 CRT HEATER

NOTICE TO ALL PERSONS RECEIVING THIS DRAWING
 CONFIDENTIAL: Reproduction forbidden without the specific written permission of Atari, Inc., Sunnyvale, CA. This drawing is only conditionally issued, and neither receipt nor possession thereof confers or transfers any right in, or license to use, the subject matter of the drawing or any design or technical information shown thereon, nor any right to reproduce this drawing or any part thereof. Except for manufacture by vendors of Atari, Inc., and for manufacture under the corporation's written license, no right is granted to reproduce this drawing or the subject matter thereof, unless by written agreement with or written permission from the corporation.

Electrohome Color Raster Display Schematic Diagram



SP-229 Sheet 11A
1st Printing

© ATARI INC. 1983
A Warner Communications Company

