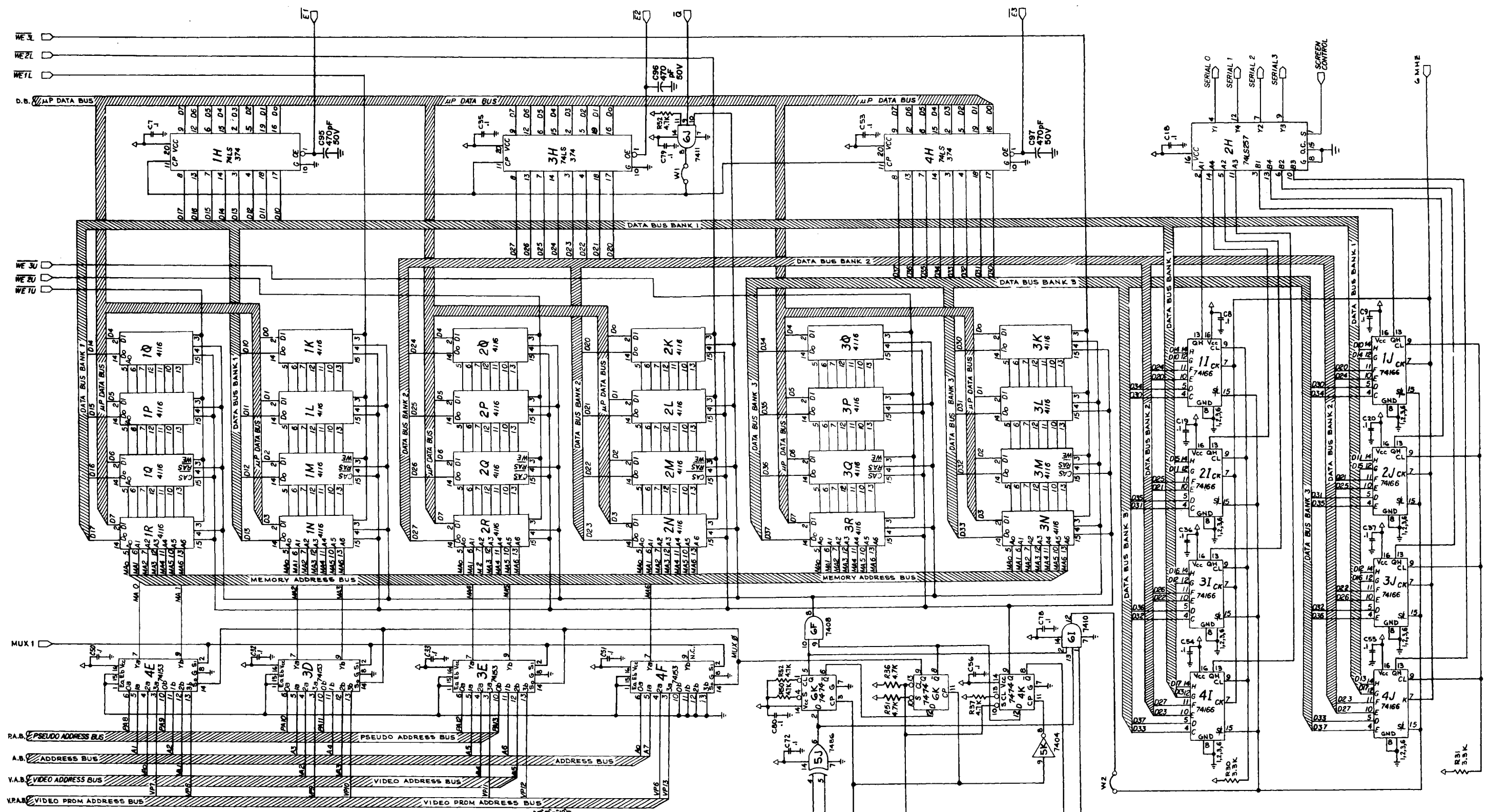
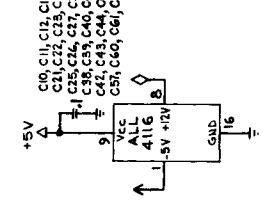
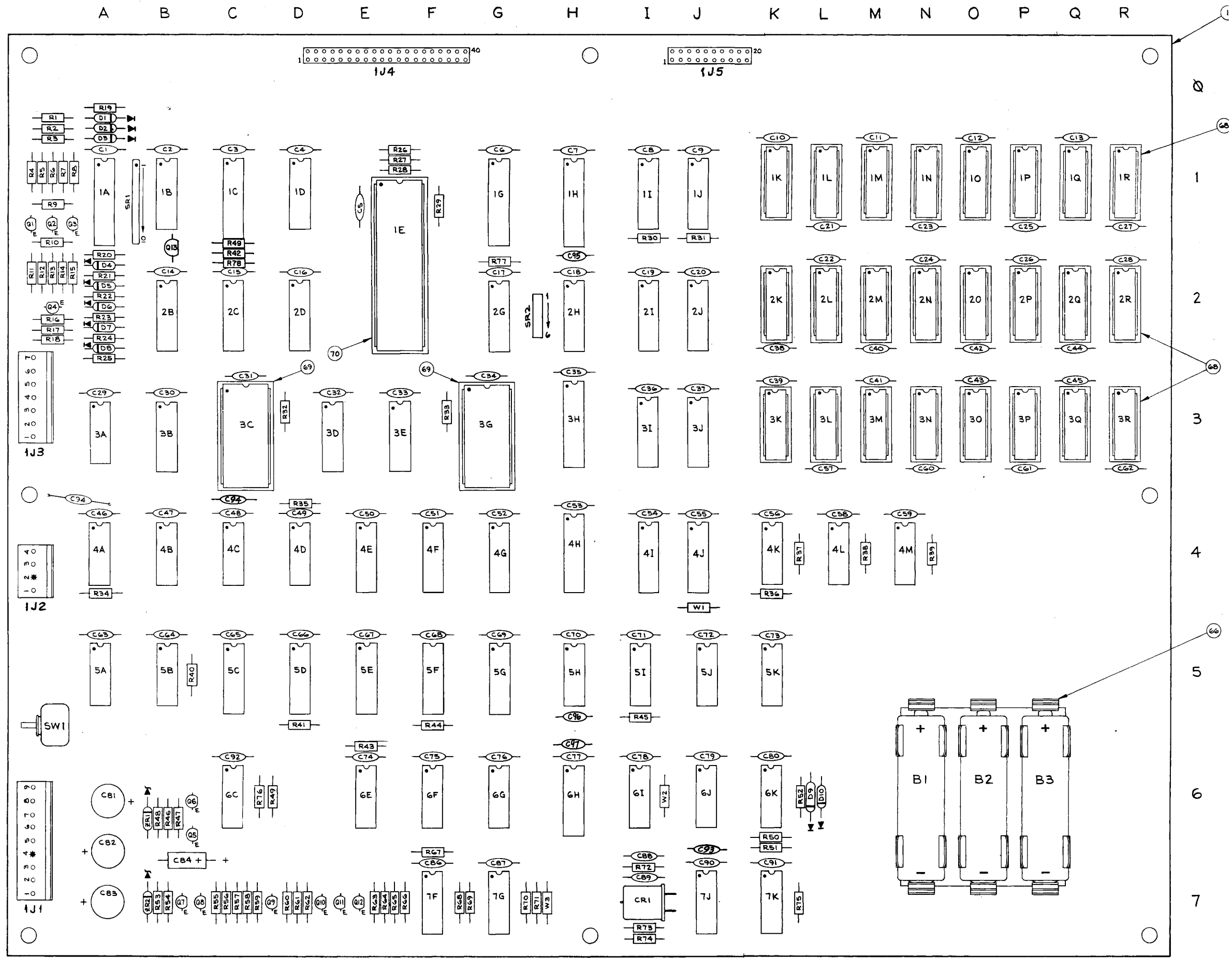


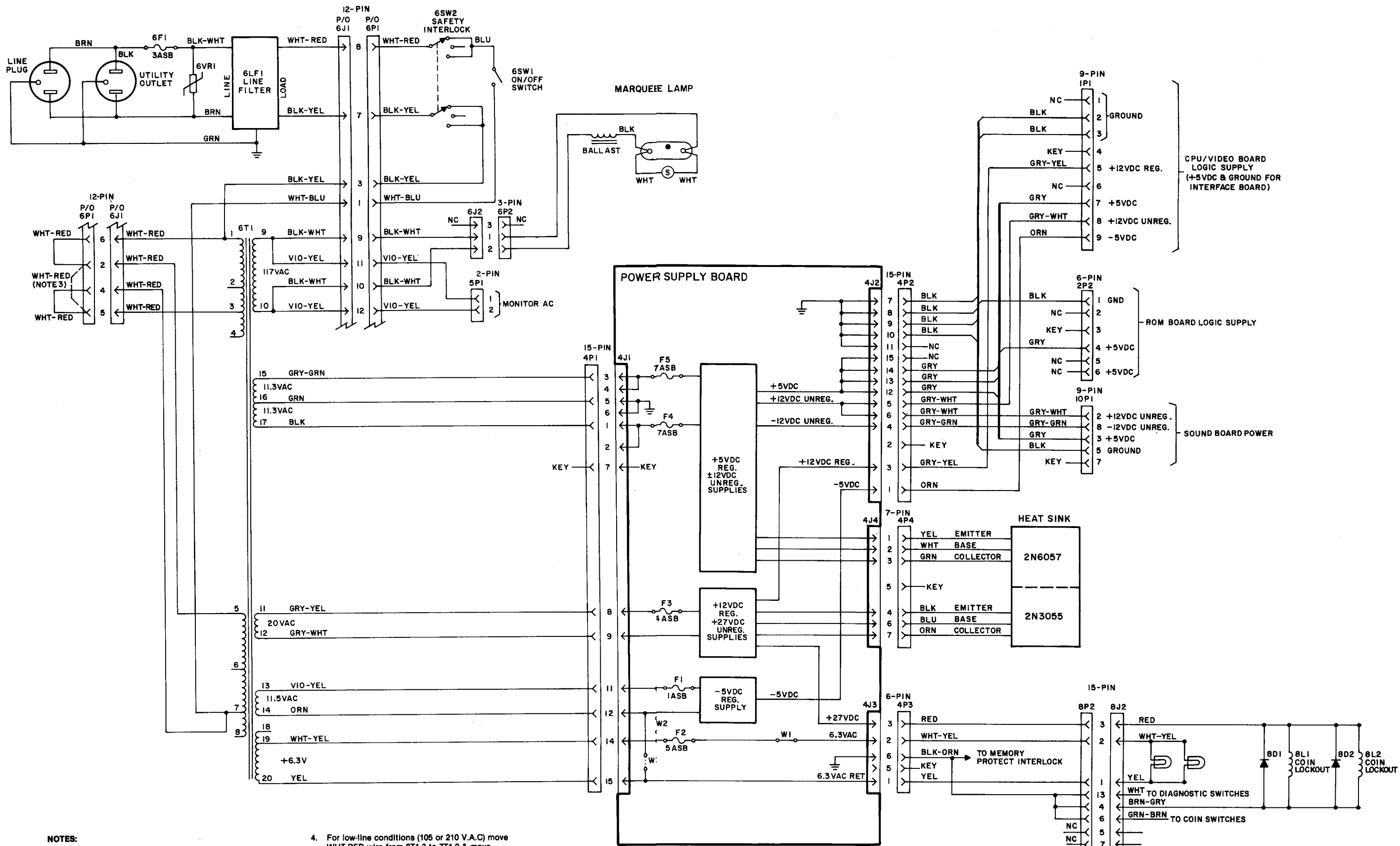
- NOTES:**
1. - ALL RESISTORS, 1/4 WATT UNLESS OTHERWISE SPECIFIED.
 2. - ALL CAPACITORS, MFD. UNLESS OTHERWISE SPECIFIED.
 3. - FOR LOGIC SPARES, SEE CHART IN SHEET #2 OF 2.
 4. A) FROM SHEET #2 OF 2. B) TO SHEET #2 OF 2.



SPARE		
LOC.	LOGIC	QTY.
4B	7400	1
4K	7474	1
5I	74LS993	1
5J	7486	2
6D	4011	2
6H	74LS189	1







NOTES:
 1. For 105 or 115 V.A.C., 3A fuse & 130 V varistor 5017-09044 are used.

4. For low-line conditions (105 or 210 V.A.C) move WHT-RED wire from 6T1-3 to 7T1-2 & move WHT-RED & WHT-BLU wires from 7T1-7 to 7T1-6.
 5. For high line conditions (135 or 240 VAC) move

CPU/VIDEO BOARD LOGIC SUPPLY (+5VDC & GROUND FOR INTERFACE BOARD)

ROM BOARD LOGIC SUPPLY

SOUND BOARD POWER

HEAT SINK

2N6057

2N3055

POWER SUPPLY BOARD

+5VDC REG. ±12VDC UNREG. SUPPLIES

+12VDC REG. +27VDC UNREG. SUPPLIES

-5VDC REG. SUPPLY

HEAT SINK

2N6057

2N3055

YEL EMITTER

WHT BASE

GRN COLLECTOR

KEY

BLK EMITTER

BLU BASE

ORN COLLECTOR

KEY

YEL

WHT-YEL

BLK-ORN

KEY

YEL

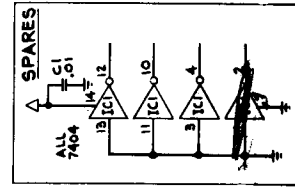
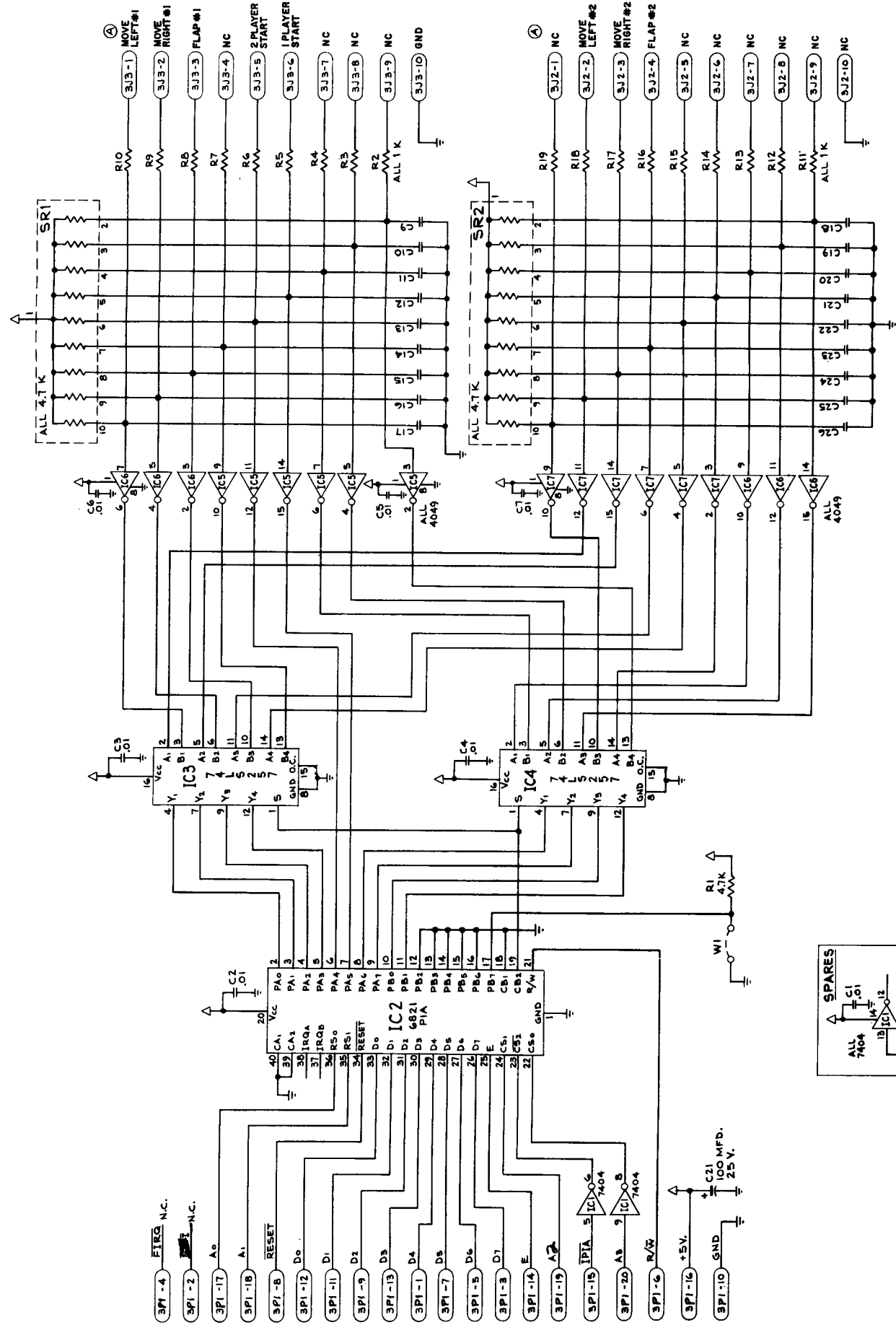
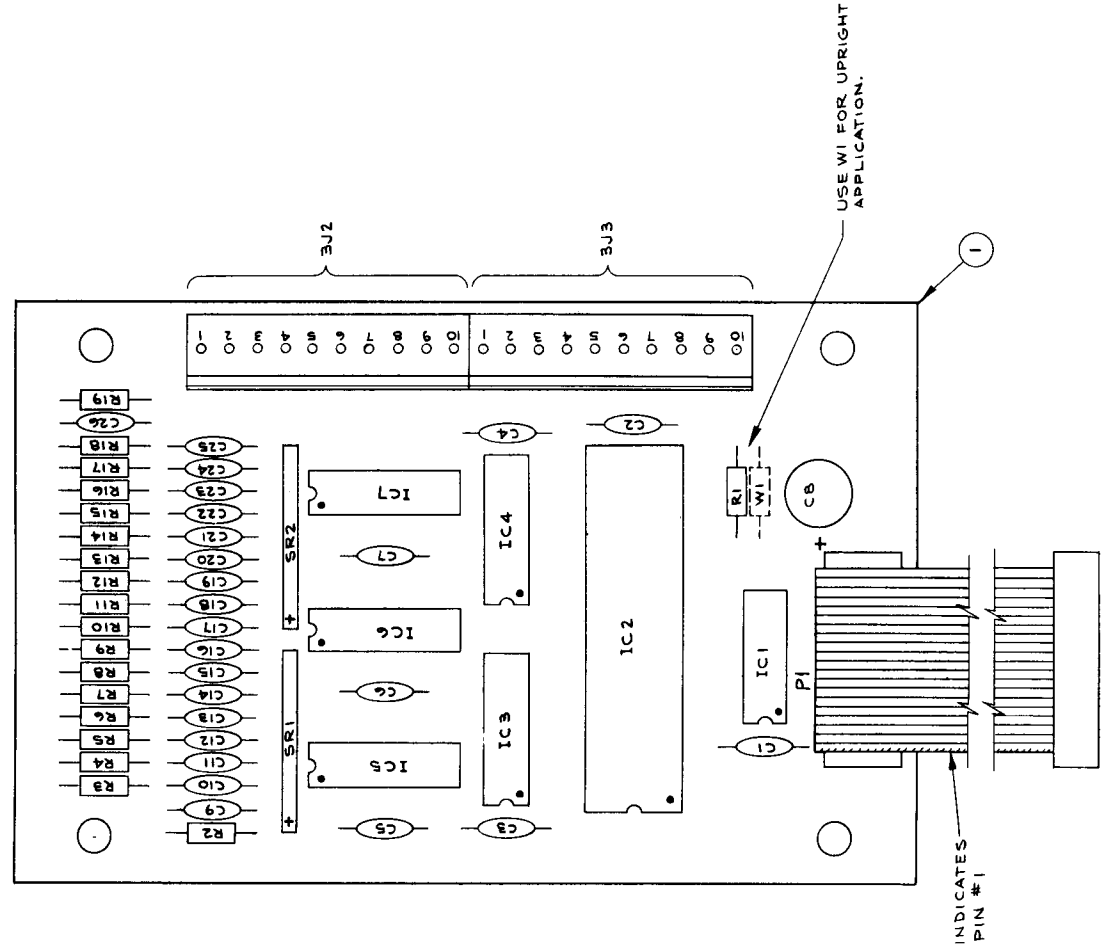
TO MEMORY PROTECT INTERLOCK

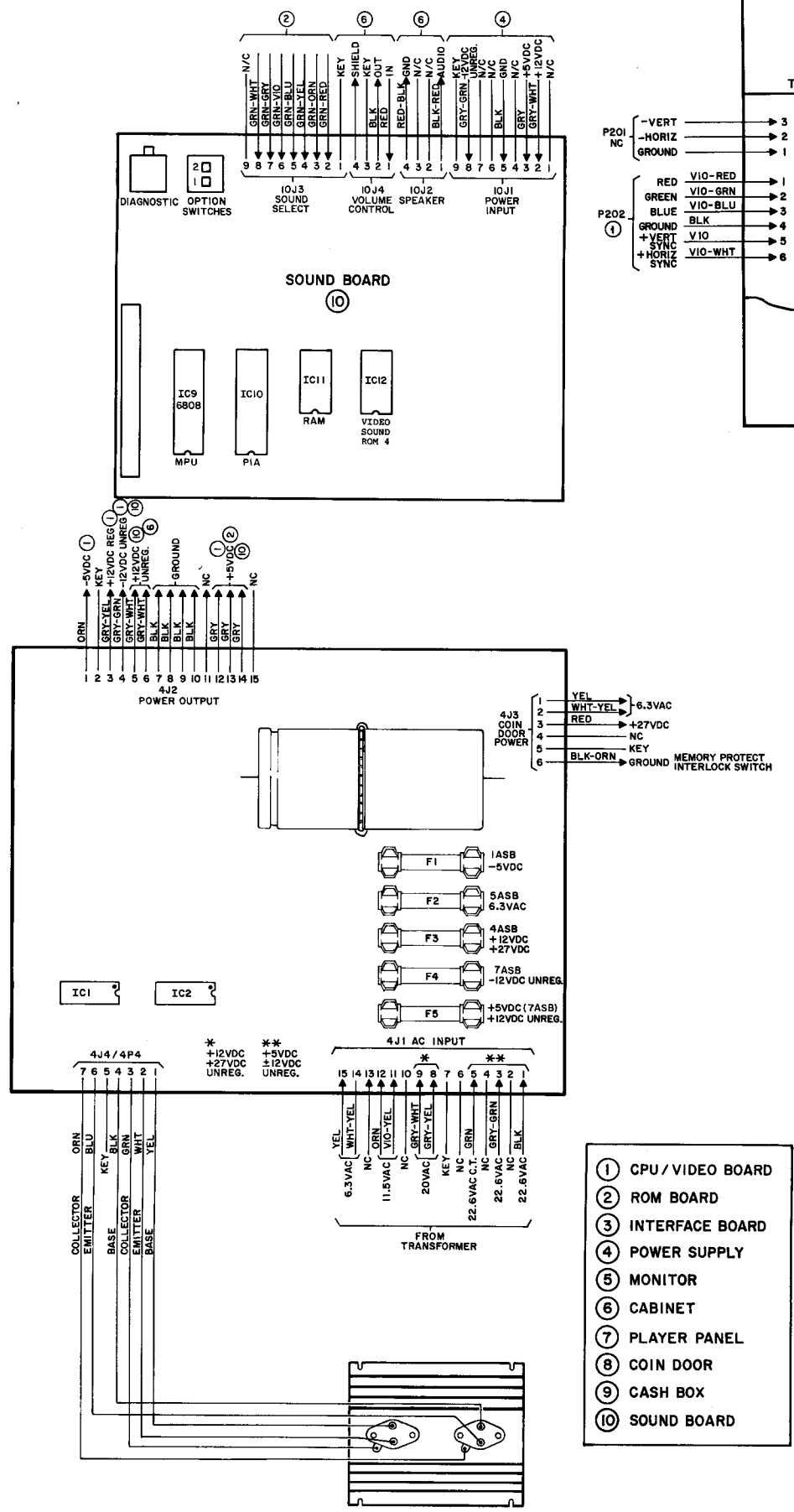
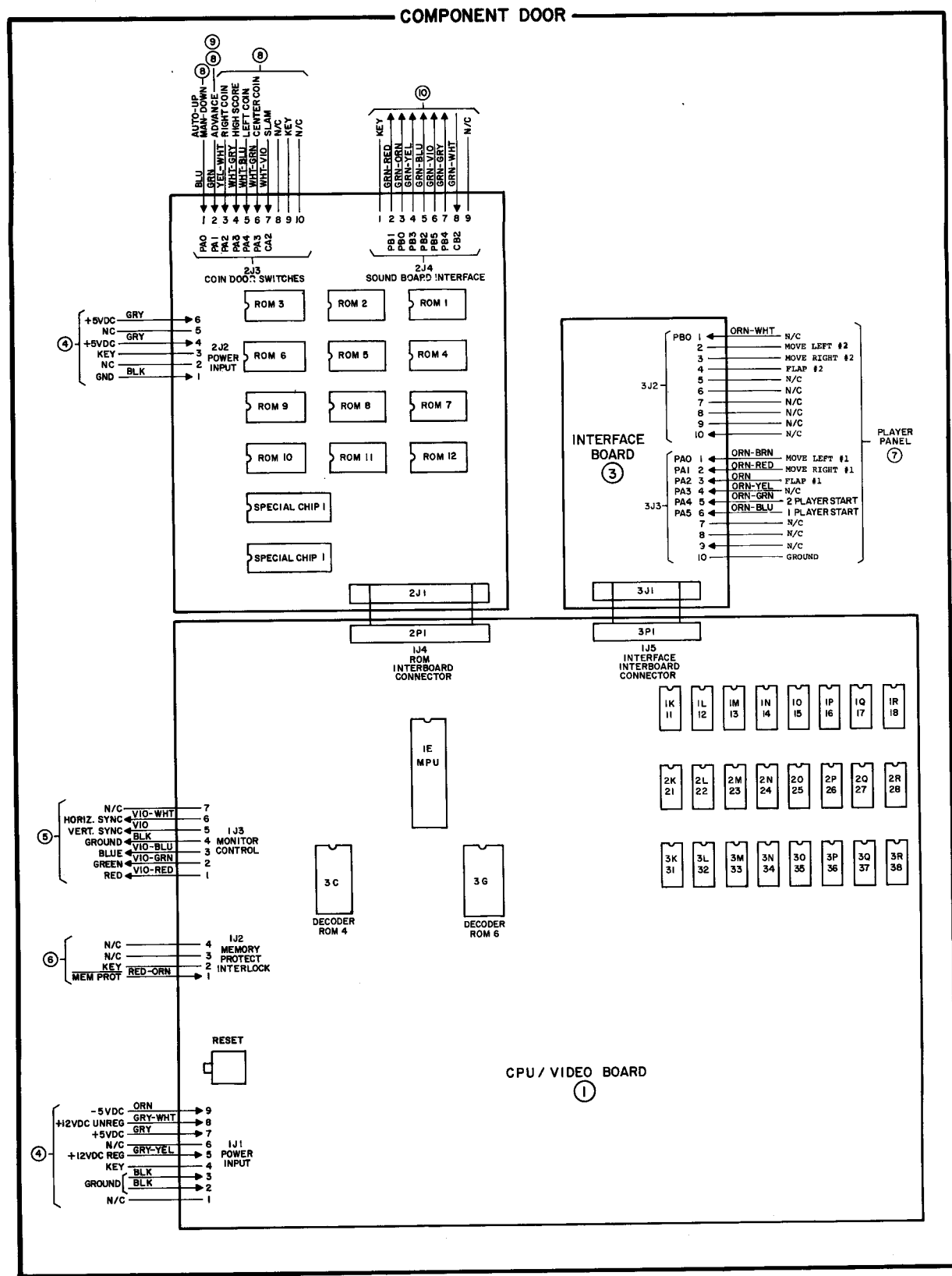
TO COIN SWITCHES

TO COIN SWITCHES

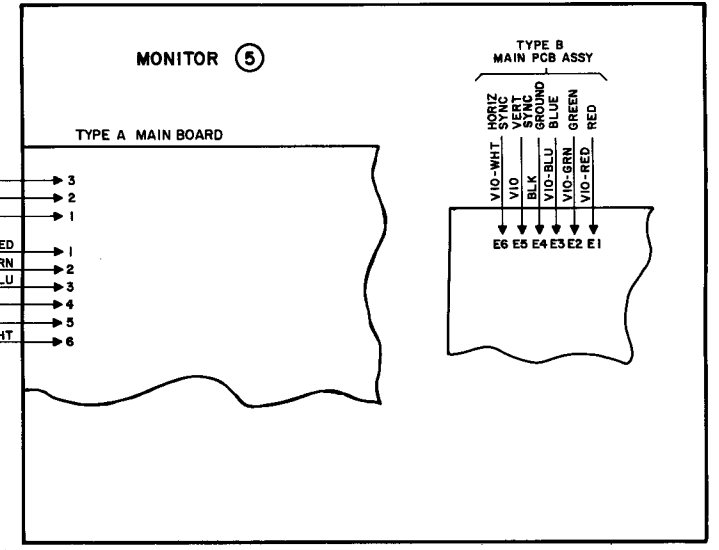
TO COIN SWITCHES

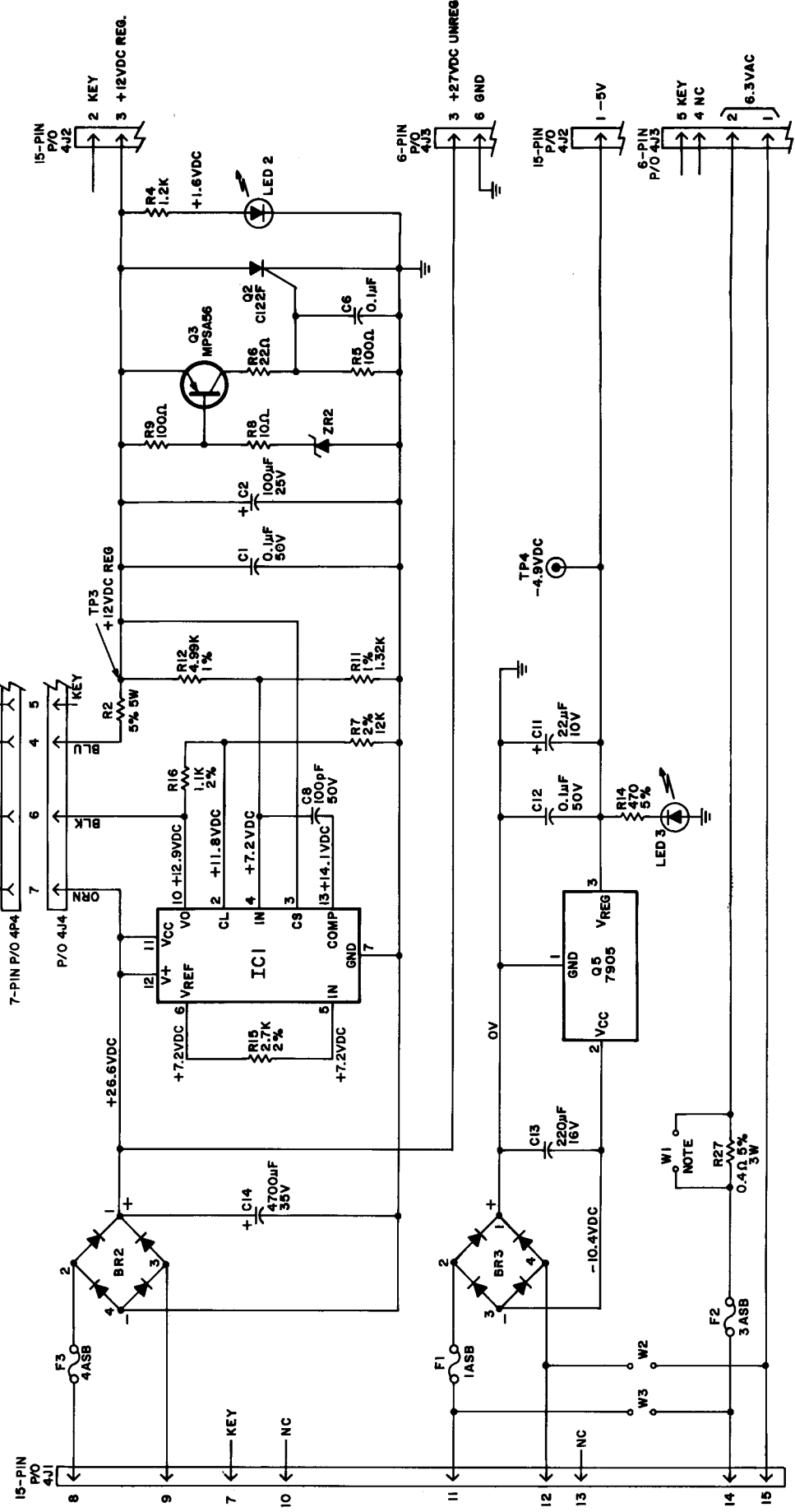
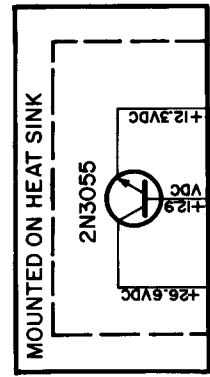
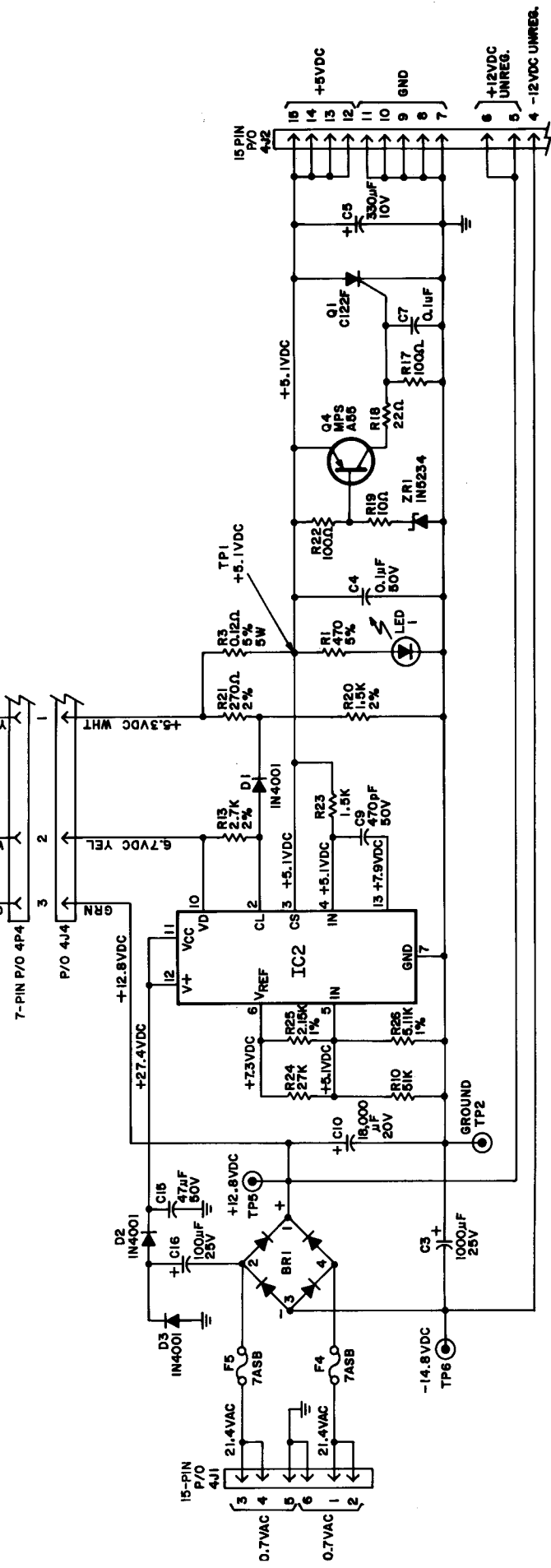
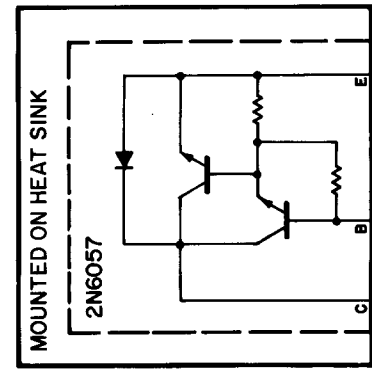
4	5280-09013-00	IC1	7404	HEX INVERTER	1
5	5281-09485-00	IC3, IC4	74LS257	QUAD DATA MULTIPLEXER	2
6	5019-09362-00	SR1, SR2	4.7K OHM	9 RES. 10 PIN SIP	2
7	5010-09355-00	R2 THRU R19	RESISTOR, C.F.	1K OHM 5% 1/4 WATT	18
8	5010-08991-00	R1	RESISTOR, C.F.	4.7K OHM 5% 1/4 WATT	1
9	5010-09394-00	W1	RESISTOR, C.F.	0 OHM 1/4 WATT	1
10	5043-09065-00	C9 THRU C26	CAPACITOR, CERAMIC DISC	470 PFD. 50 V. X7R ±20%	18
11	5040-09421-00	CB	CAPACITOR, ELECT. RADIAL	100 MFD. 25 VOLT, +50-10%	1
12	5043-08980-00	C1 THRU C7	CAPACITOR, CERAMIC DISC	.01 MFD. 50 V. ±80-20%	7
13	5795-09540-00	P1	20 PIN RIBBON CABLE ASSY.		1
14	5791-09444-00	3J2, 3J3	10 PIN HEADER 09-65-1101		2



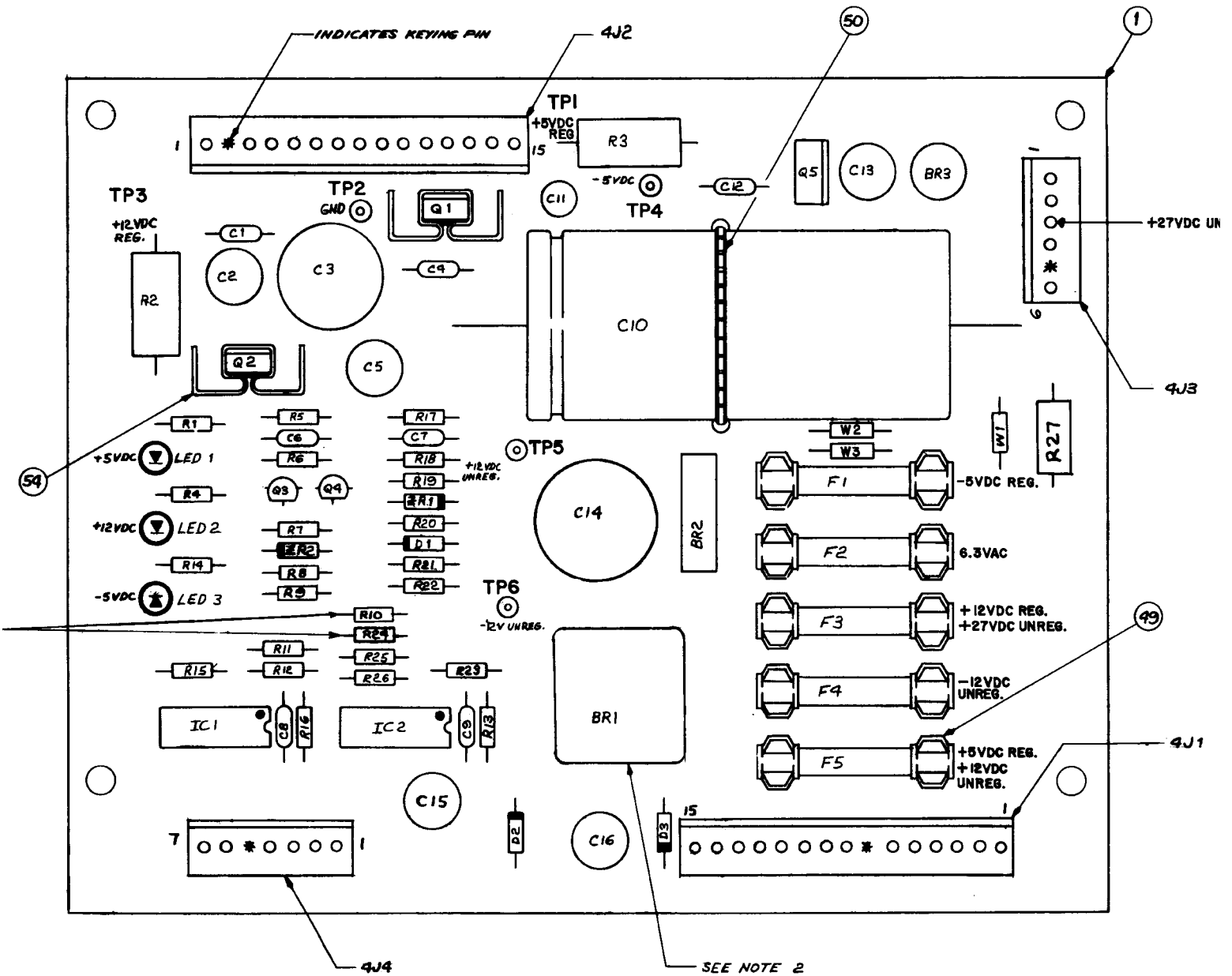


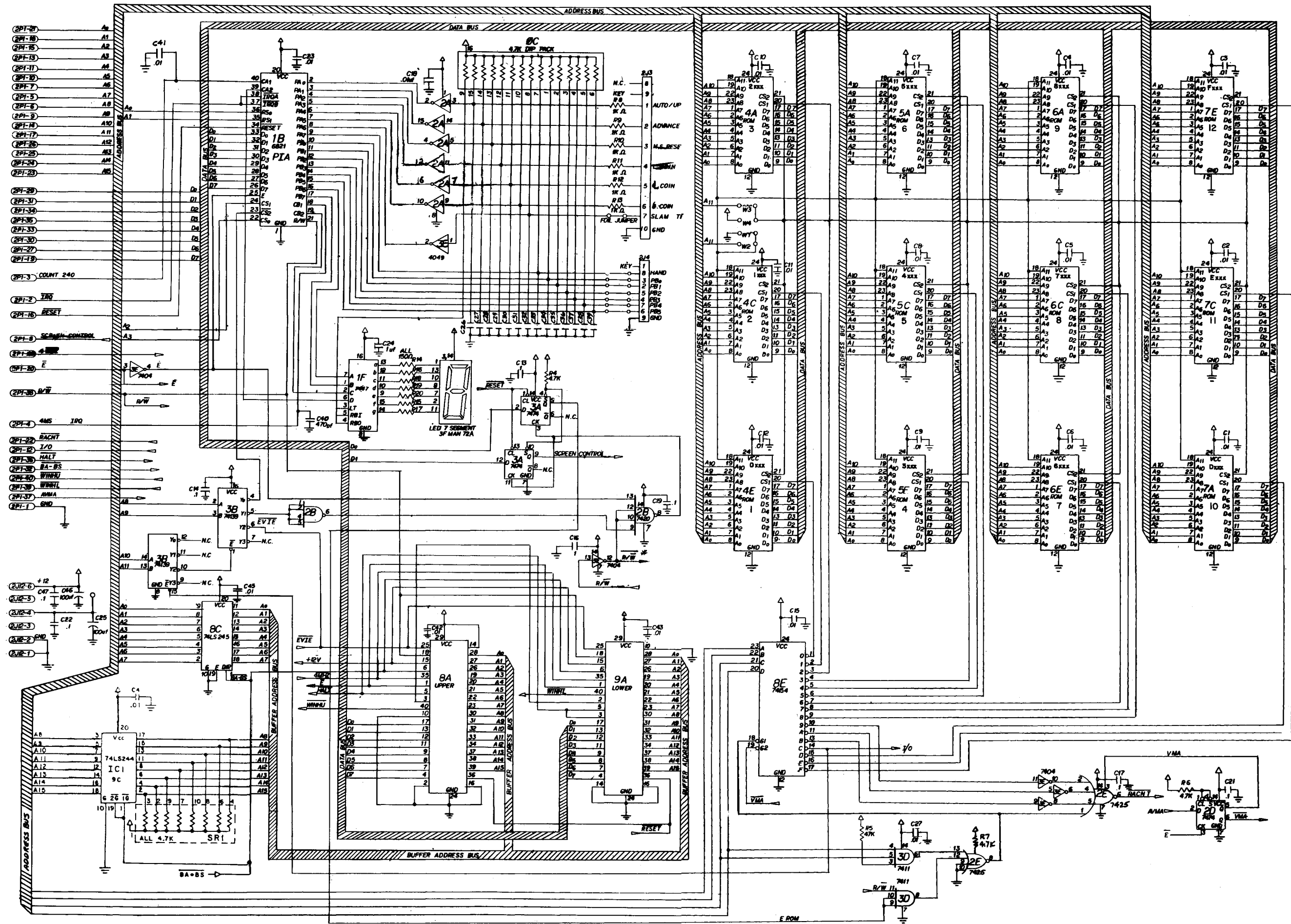
- ① CPU/VIDEO BOARD
- ② ROM BOARD
- ③ INTERFACE BOARD
- ④ POWER SUPPLY
- ⑤ MONITOR
- ⑥ CABINET
- ⑦ PLAYER PANEL
- ⑧ COIN DOOR
- ⑨ CASH BOX
- ⑩ SOUND BOARD



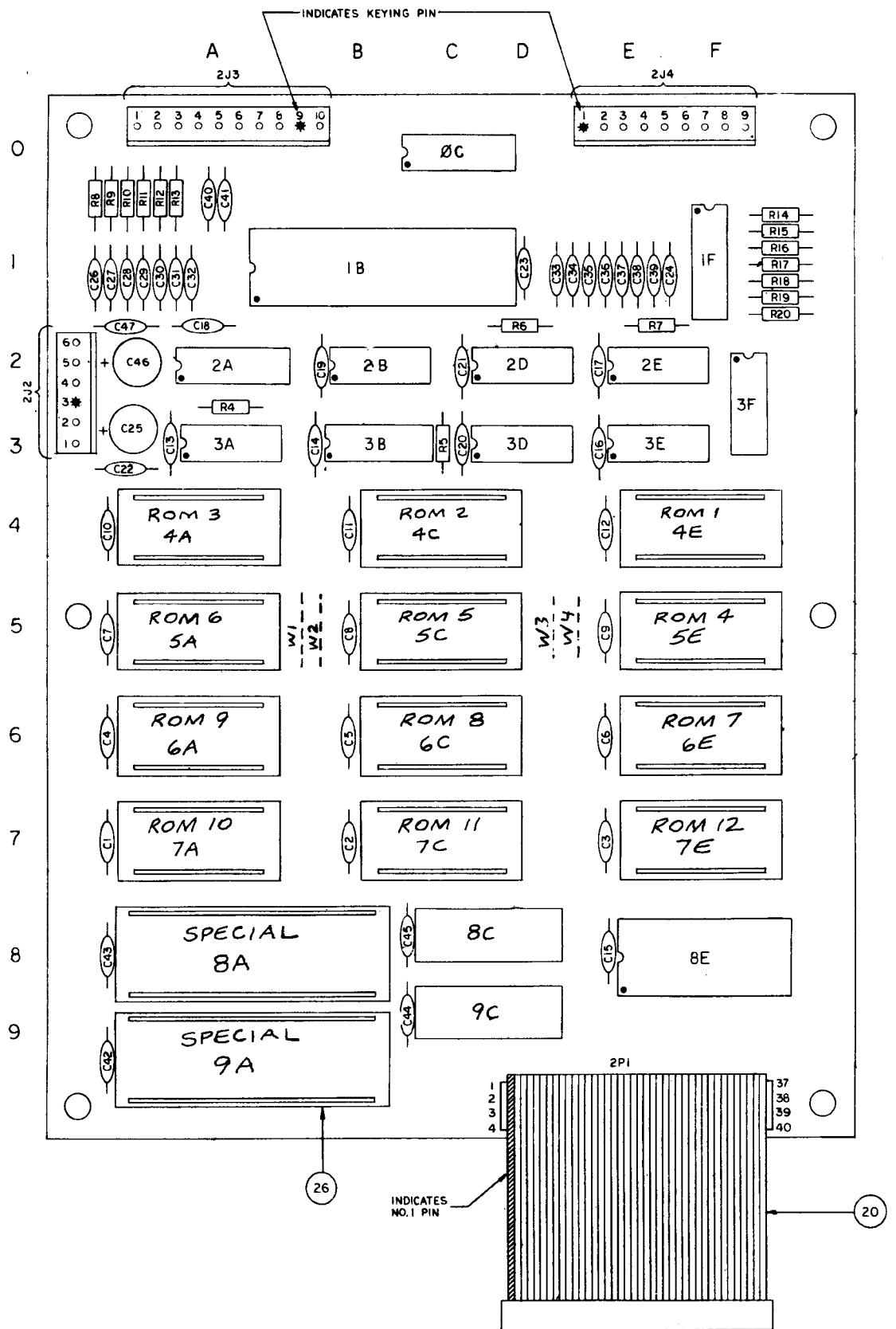


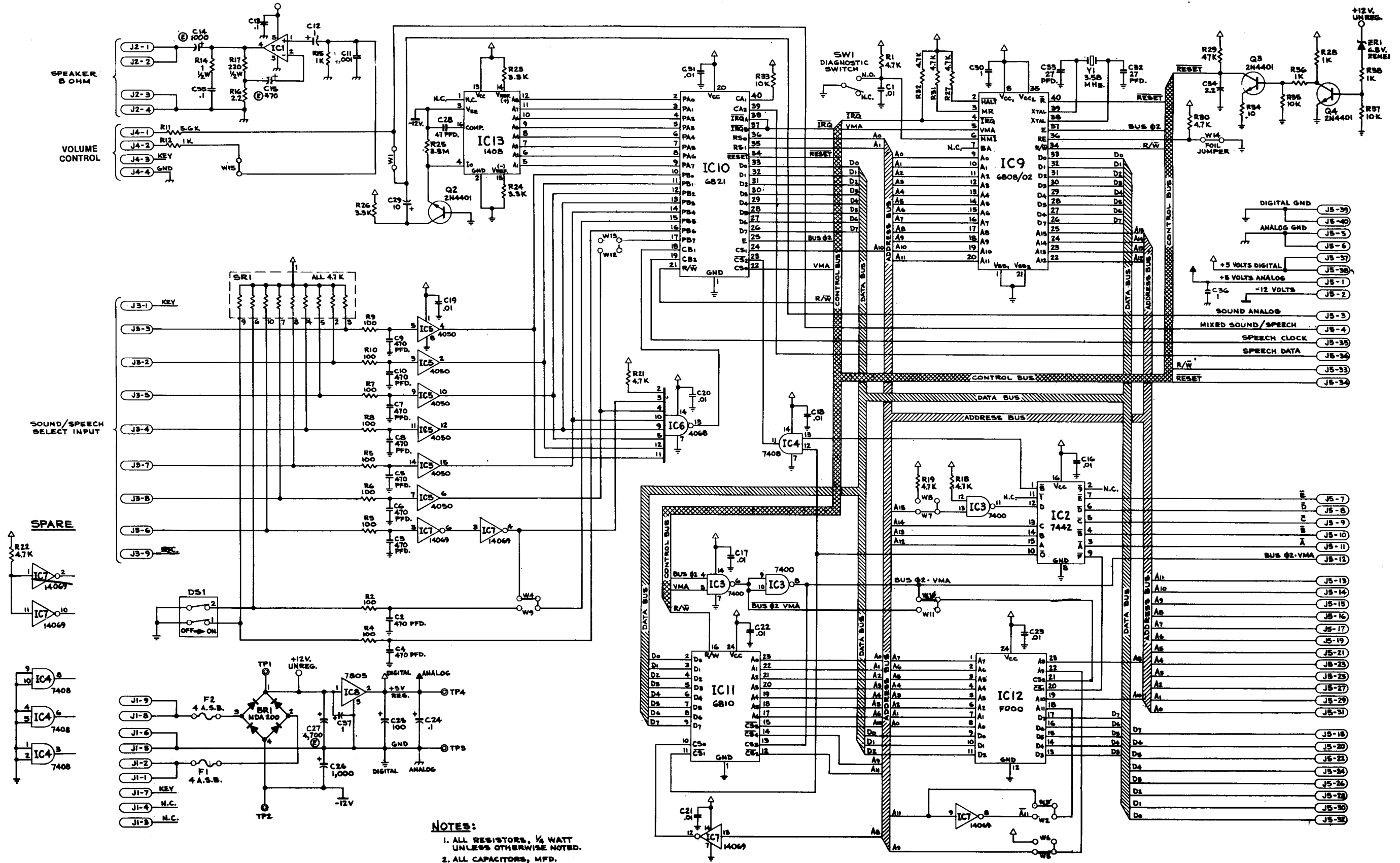
D-8784 Power Supply Board Sch





D-9144 ROM Board





NOTES:
 1. ALL RESISTORS, 1/2 WATT UNLESS OTHERWISE NOTED.
 2. ALL CAPACITORS, MFD. UNLESS OTHERWISE NOTED.

