



---

**DARK ADVENTURE**

---

**DARK ADVENTURE**

---

**DARK ADVENTURE**

---

**DARK ADVENTURE™** is a registered trademark of Konami Inc. © 1987 Konami Inc.

 **KONAMI** is a registered trademark of Konami Industry Co., Ltd.



# DARK ADVENTURE: WIRING HARNESS

WIRE COLOR KEY:		Solder Side			Parts Side	
BLACK		GND	A	1	GND	BLACK
BLACK		GND	B	2	GND	BLACK
RED		+ 5V DC	C	3	+ 5V DC	RED
RED		+ 5V DC	D	4	+ 5V DC	RED
			E	5		
ORANGE		+ 12V DC	F	6	+ 12V DC	ORANGE
		*KEY	H	7	*KEY	
BROWN/YELLOW	COIN COUNTER 2		J	8	COIN COUNTER 1	GREEN/GRAY
			K	9		
			L	10		
			M	11		
WHITE/GREEN	VIDEO GREEN		N	12	VIDEO RED	RED/WHITE
WHITE	VIDEO SYNC		P	13	VIDEO BLUE	BLUE/WHITE
			R	14	VIDEO GROUND	BLACK
			S	15		
VIOLET/WHITE	COIN 2		T	16	COIN 1	BLUE/BROWN
			U	17	MAP	PINK/YELLOW
BLUE/YELLOW	2P UP		V	18	1P UP	ORANGE/WHITE
VIOLET/YELLOW	2P DOWN		W	19	1P DOWN	BLACK/WHITE
ORANGE/GREEN	2P LEFT		X	20	1P LEFT	RED/GRAY
ORANGE/YELLOW	2P RIGHT		Y	21	1P RIGHT	GRAY/WHITE
BLACK/YELLOW	2P JUMP/START		Z	22	1P JUMP/START	PINK/WHITE
ORANGE/GRAY	2P ATTACK		a	23	1P ATTACK	GREEN/BROWN
BROWN/WHITE	2P DYNAMITE		b	24	1P DYNAMITE	RED/BROWN
			c	25		
			d	26		
BLACK		GND	e	27	GND	BLACK
BLACK		GND	f	28	GND	BLACK

(BASE COLOR/LINE COLOR)

# DARK ADVENTURE: SUB HARNESSES

---

**CN3  
3P  
CONTROLS  
(JST)**

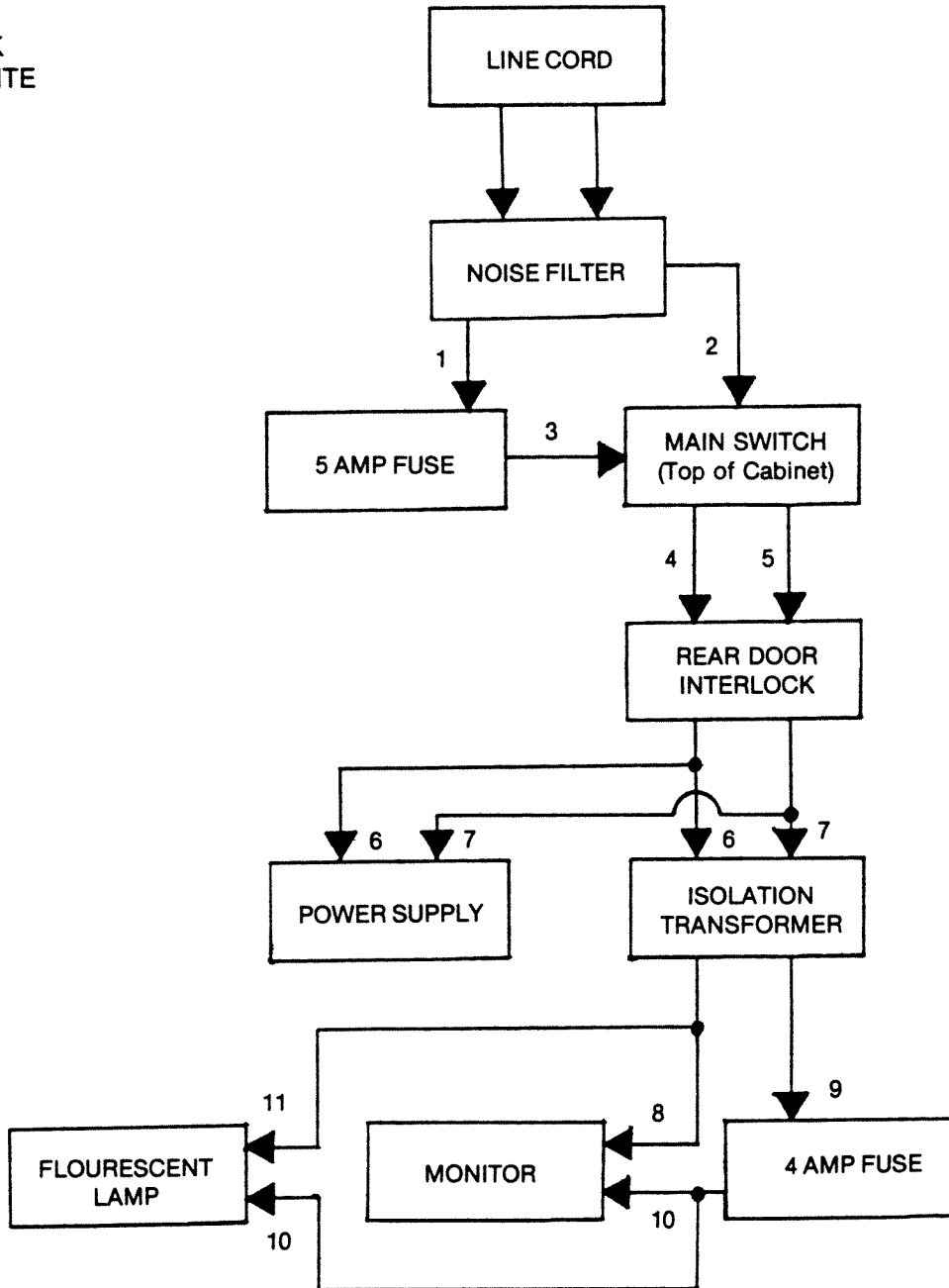
1	COIN 3	RED
2		
3	3P LEFT	WHITE/RED
4	3P RIGHT	WHITE/YELLOW
5	3P UP	WHITE/BLACK
6	3P DOWN	WHITE/BLUE
7	3P JUMP/START	WHITE/BROWN
8	3P ATTACK	WHITE/ORANGE
9	3P DYNAMITE	WHITE/GRAY
10		
11		
12	COIN COUNTER 3	BLUE
13		
14		
15	GROUND	BLACK

**CN8  
SPEAKER  
OUTPUT  
(JST)**

1	SPEAKER +	WHITE
2	SPEAKER -	BLACK
3	SPEAKER -	BLACK
4	SPEAKER +	GRAY

# DARK ADVENTURE: AC FLOW CHART

1. GREEN/YELLOW
2. BLACK
3. RED
4. BLUE
5. BROWN
6. RED/BLACK
7. BLACK/WHITE
8. WHITE
9. GREEN
10. VIOLET
11. ORANGE

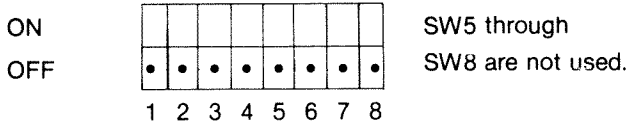


# DIP SWITCH SETTINGS

## DIP SWITCH NO. 1 SETTINGS

SW	1	2	3	4	COIN	CREDIT
•	OFF	OFF	OFF	OFF	1	1
	ON	OFF			1	2
	OFF	ON			1	3
	ON	ON			1	4
	OFF	OFF	ON	OFF	1	5
	ON	OFF			1	6
	OFF	ON			1	7
	ON	ON			2	1
	OFF	OFF	OFF	ON	2	3
	ON	OFF			2	5
	OFF	ON			3	1
	ON	ON			3	2
	OFF	OFF	ON	ON	3	4
	ON	OFF			4	1
	OFF	ON			4	3
	ON	ON			INVALID	

### DIP SWITCH 1



## DIP SWITCH NO. 3 SETTINGS

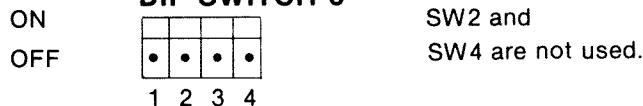
### 1. VIDEO SCREEN FLIP

SW	1	FLIP
•	OFF	NORMAL
	ON	UPSIDE DOWN

### 2. CHANGE OF MODE

SW	3	MODE
•	OFF	GAME MODE
	ON	CHECK MODE

### DIP SWITCH 3



## DIP SWITCH NO. 2 SETTINGS

### THE NUMBER OF THE PLAYER'S LIFE

	1	2	NUMBER
•	OFF	OFF	2
	ON	OFF	3
	OFF	ON	5
	ON	ON	7

\*The number of players life multiplied by the number of credit makes the number of players life for a play

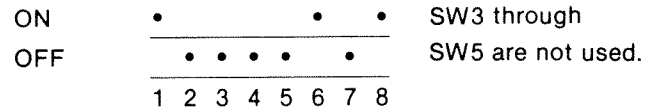
### DIFFICULTY OF THE GAME

SW	6	7	DIFFICULTY
•	OFF	OFF	EASY
	ON	OFF	NORMAL
	OFF	ON	DIFFICULT
	ON	ON	VERY DIFFICULT

### SOUND

SW	8	SOUND
•	OFF	OFF
	ON	ON

### DIP SWITCH 2



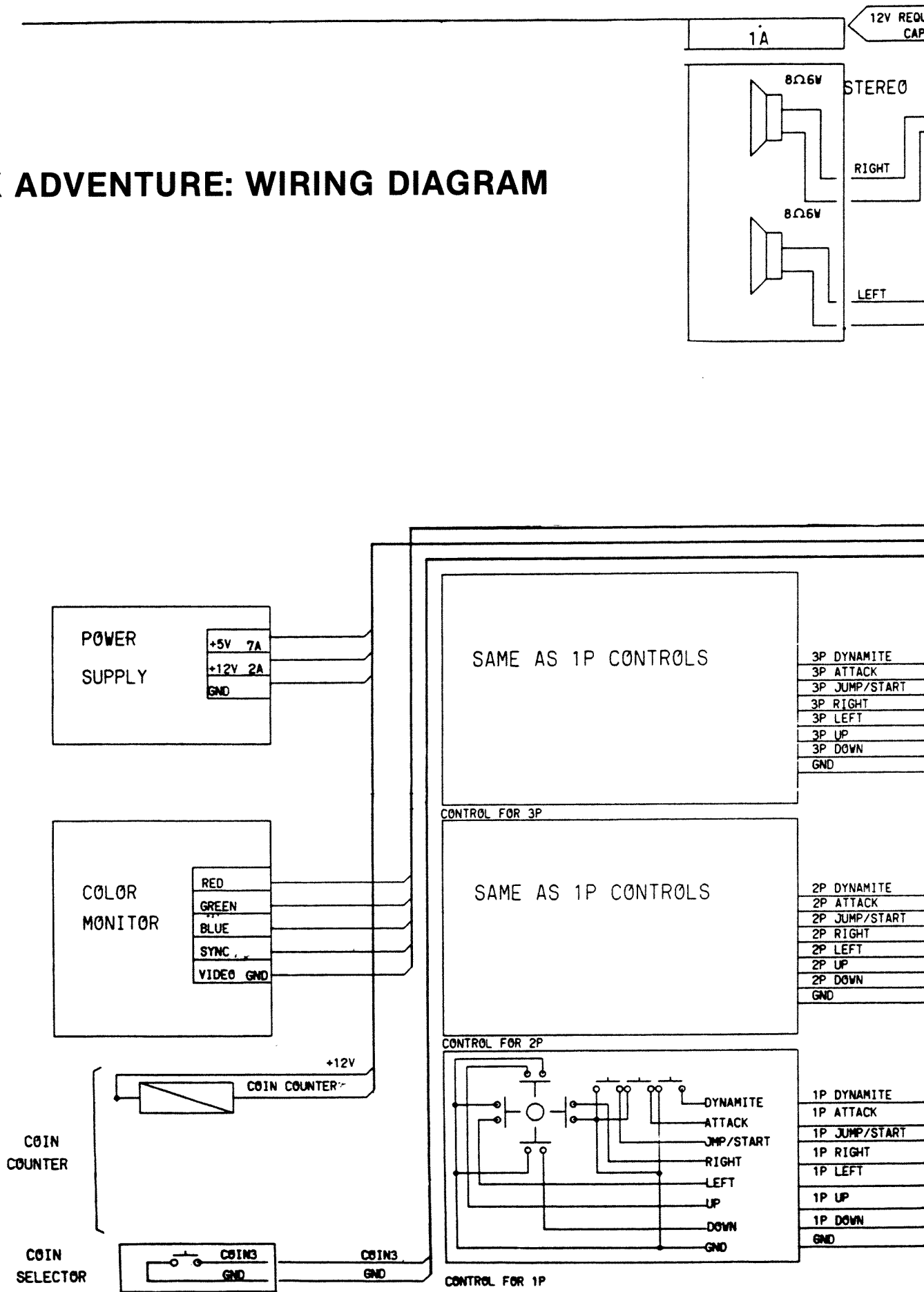
## SELF TEST

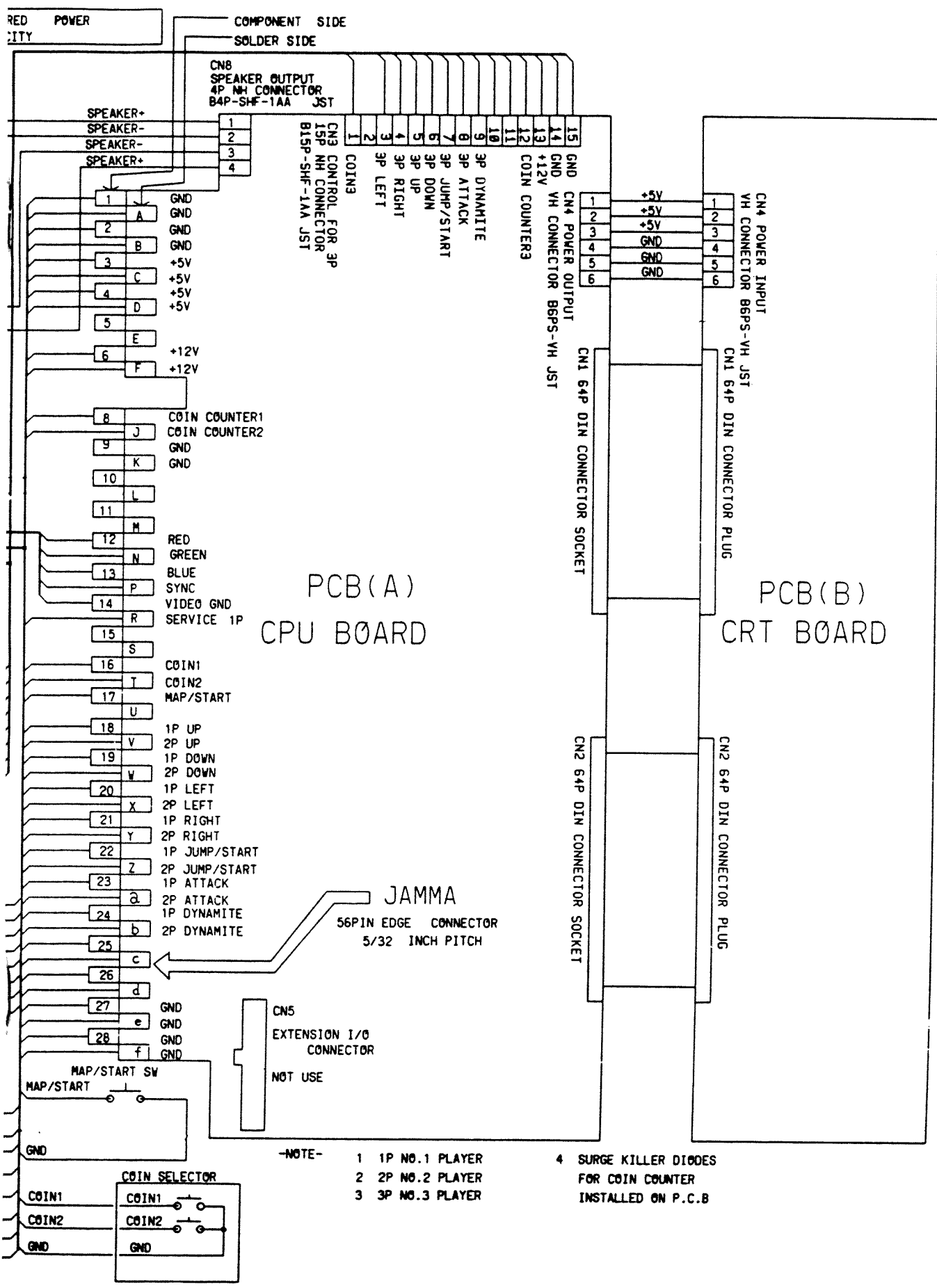
- A. How to start.
  1. Turn on the SW3 of the DIP SW3.
- B. Test Items.
  1. Color Conditioning.
  2. Control Check.
  3. Coin Counter Check.
  4. DIP SW SET.
  5. Sound Check.
  6. Video Screen Flip.

\*To change items, push MAP button.

\*Push 1P SHOOT (JUMP, START) button to change sound.

# DARK ADVENTURE: WIRING DIAGRAM





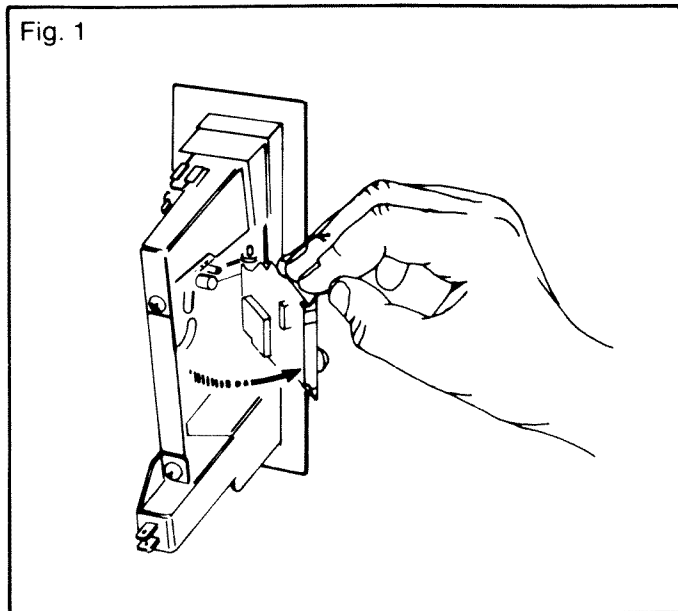
PCB(A)  
CPU BOARD

PCB(B)  
CRT BOARD

- NOTE-**
- 1 1P NO.1 PLAYER
  - 2 2P NO.2 PLAYER
  - 3 3P NO.3 PLAYER
  - 4 SURGE KILLER DIODES FOR COIN COUNTER INSTALLED ON P.C.B

# Gold Mech: Service Information

## CLEANING and CARE of the MECHANISM



The magnet that is fitted to the mechanism, should be kept clean from foreign particles. The magnet can be cleaned by swinging the gate open. (as shown in Fig. 1). Remove metal filings from the magnet by guiding the point of a screwdriver along the edges of the magnet, such that the filings cling to the screwdriver.

The mechanism can be cleaned by immersing in water using a small brush to clean the mechanism. Rinse the mechanism with boiling water and dry with compressed air.

### Note:

Since the Gold Mech relies on coins passing the magnet at a constant speed, the rejector must be free of dirt and grease which may slow down the coins. Do not lubricate the acceptor with oil as this slows down coins.

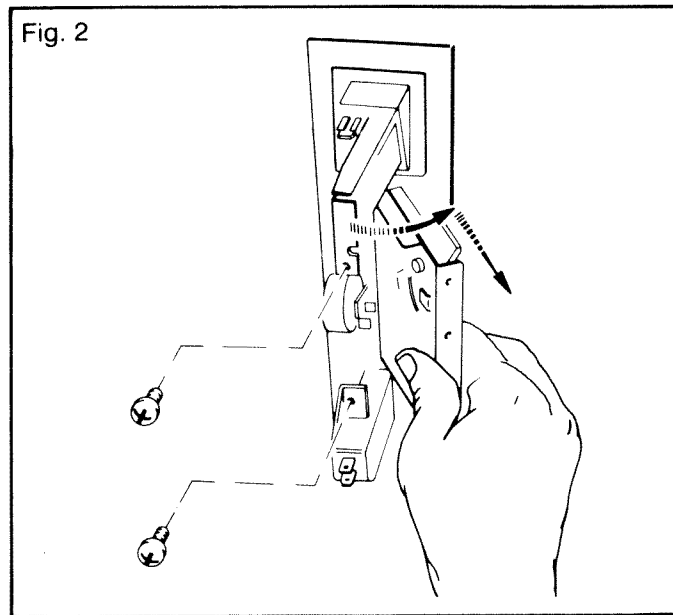
If the above procedures are not successful, check for worn, bent or damaged parts and replace where necessary.

### Coin switch

The coin switch comes in two different spring tensions—identified by the color of the plastic boss at the wire's pivot point.

**Red:** Light tension—U.S. 25¢

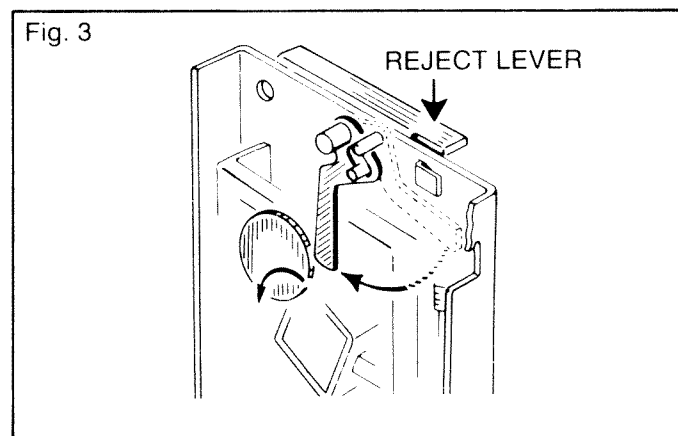
**White:** Heavy tension—heavy foreign coins



### Removal of Mechanism

To remove the coin selector: Unscrew the two screws (as shown in Fig. 2)—swing rear of selector body away from the lock-out side and withdraw.

The Gold Mech Acceptors are designed to require a minimum of maintenance and field adjustment. Coins are checked by diameter and thickness, weight, metal content, bounce, and for ferromagnetic coins such as nickel and steel, a rim test is also used.



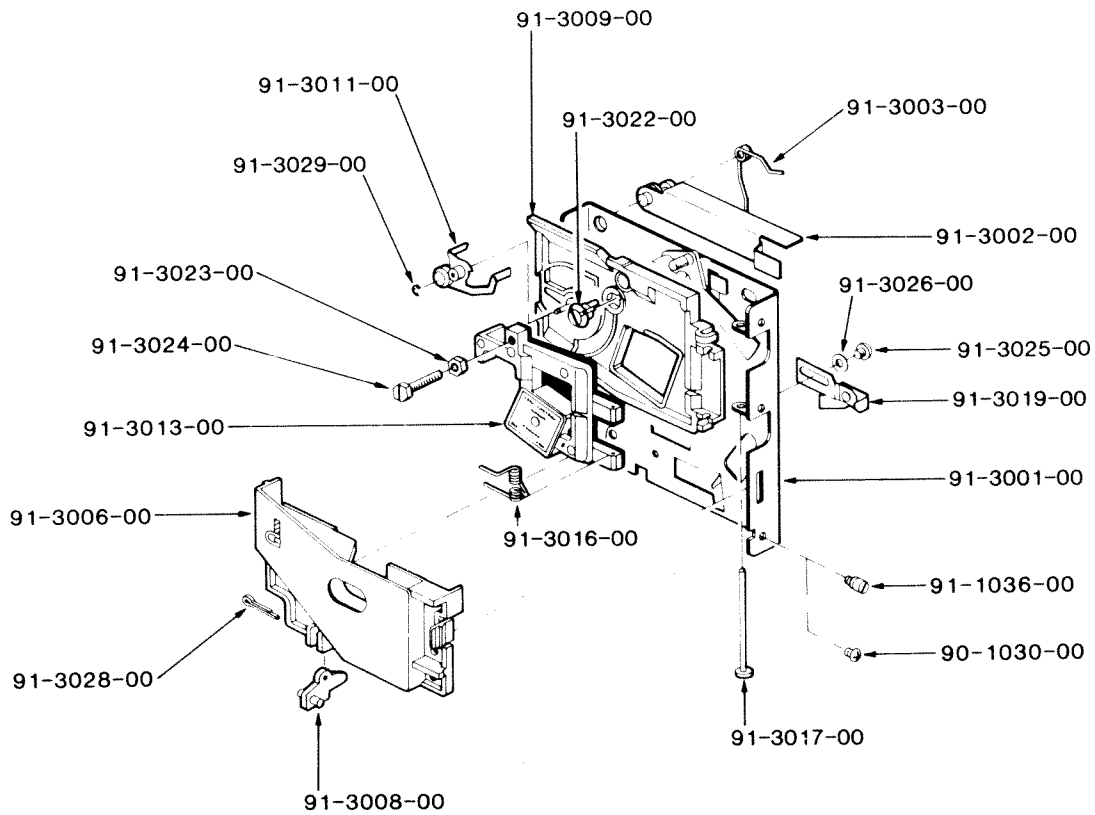
### The Magnet

Coins that are too thick will fail to pass between the magnet and the backplate of the mechanism; and will be cleared by the magnet wiper when the reject lever is actuated. (Fig. 3)



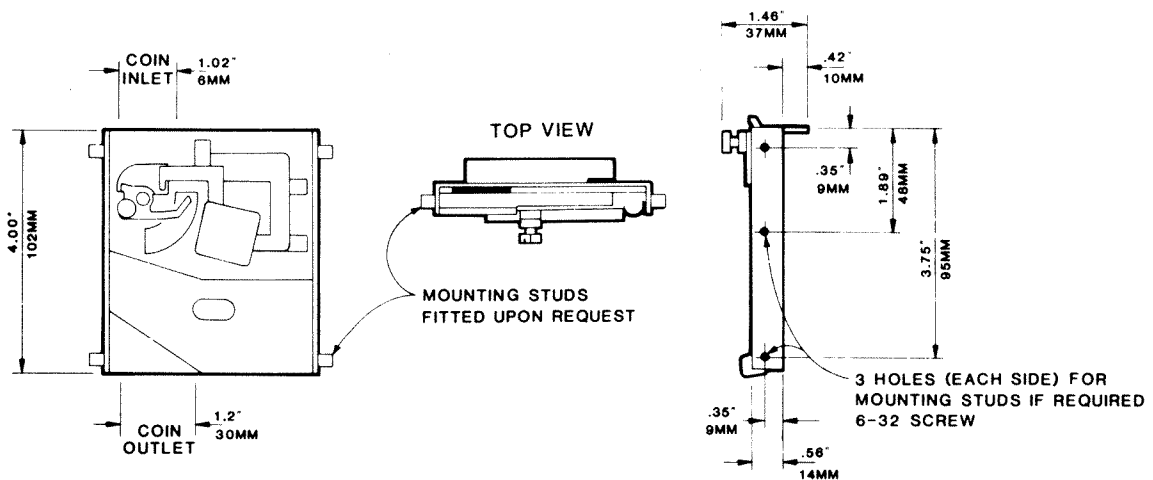
# Gold Mech

## Engineering Data and Parts List

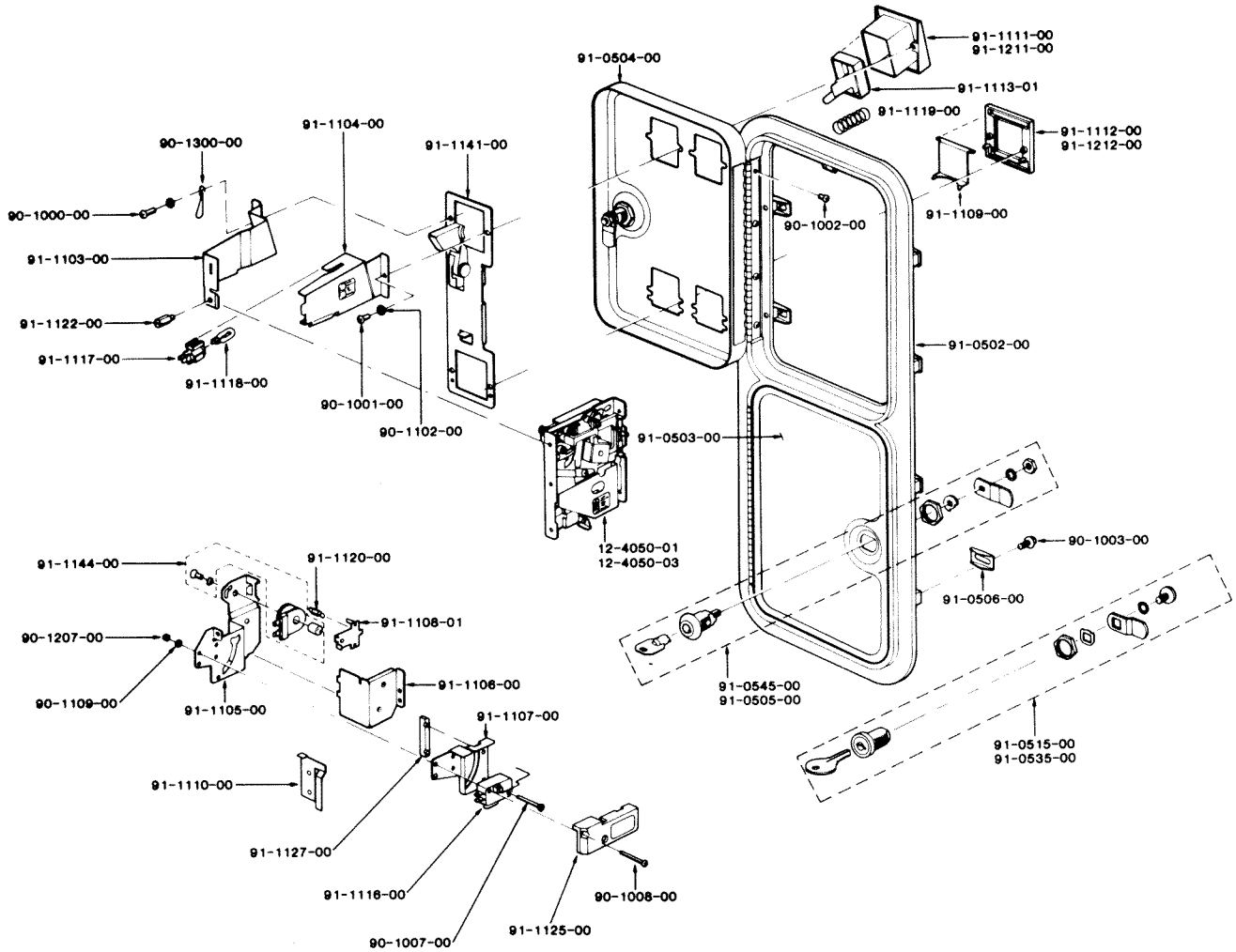


### PARTS LIST

90-1030-00 Retaining Screw (#6-32" x .250")	91-3009-00 Gate	91-3023-00 Locknut-Magnet Holder
91-1036-00 Mounting Stud	91-3011-00 Cradle	91-3024-00 Screw-Magnet Holder
91-3001-00 Back Plate	91-3013-00 Magnet Holder with Magnet	91-3025-00 Screw Separator
91-3002-00 Reject Lever	91-3016-00 Gate Spring	91-3026-00 Washer
91-3003-00 Reject Lever Spring	91-3017-00 Gate Pin	91-3028-00 Cotter Pin for Anti-Stringing Device
91-3006-00 Cover Plate	91-3019-00 Separator	91-3029-00 E-Clip for Cradle
91-3008-00 Anti-Stringing Device	91-3022-00 Diameter Adjustment	



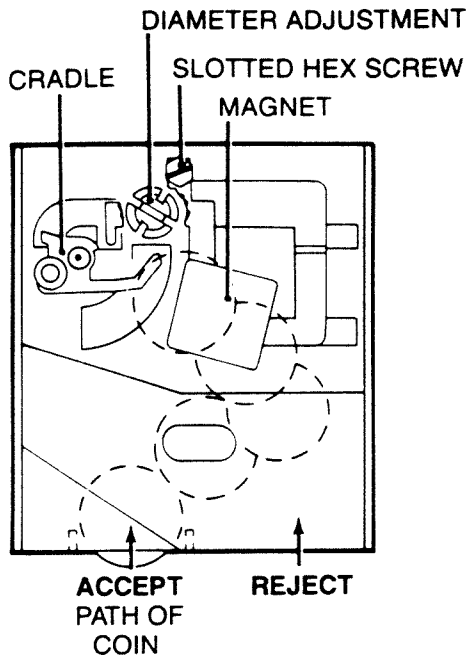
# COMPLETE COIN DOOR ASSEMBLY EXPLODED VIEW



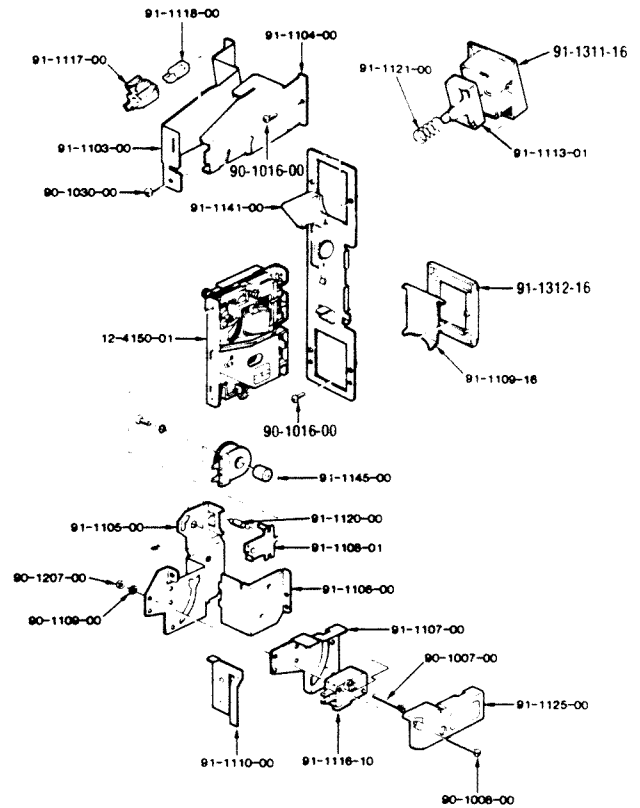
## PARTS LIST

12-4050-01 S-10 Acceptor Body US 25°	90-1102-00 Washer for Bezel Screw	91-1103-00 Coin Inlet Lamp Side	91-1119-00 Button Spring
12-4050-03 S-10 Acceptor Body Canadian 25°	90-1207-00 Nut for Microswitch Mounting Screw	91-1104-00 Coin Inlet Cover Side	91-1120-00 Lockout Spring
20-4177-00 Plastic Cash Box	90-1300-00 Keyhook	91-1105-00 Reject Cup Side Plate	91-1122-00 Retaining Screw for Acceptor Body
20-4179-00 Steel Enclosure	91-0502-00 Zinc Die Cast Frame	91-1106-00 Reject Cup Base Plate	91-1125-00 Clear Plastic Cover for Microswitch
22-1400-00 Locking Bar	91-0503-00 Lower Door	91-1107-00 Microswitch Bracket	91-1127-00 Plastic Switch Adjuster
24-1150-00 Wire Harness	91-0504-00 Upper Door	91-1108-01 Lockout Flap US 25°	91-1141-00 Base Plate With Pivot and Stud
90-1000-00 Keyhook Bezel Screw	91-0505-00 Round Lock and Cam Assembly	91-1109-00 Reject Flap	91-1144-00 6 Volt DC Lockout Coil
90-1001-00 Bezel Screw	91-0506-00 Clamp	91-1110-00 Metal Switch Adjuster	91-1211-00 Zinc Plated Button Bezel
90-1002-00 Hinge Screw	91-0515-00 Flat Lock and Cam Assembly	91-1111-00 Black Button Bezel	91-1212-00 Zinc Plated Reject Bezel
90-1003-00 Clamp Screw	91-0535-00 Flat Lock and Cam Assembly	91-1112-00 Black Reject Bezel	
90-1007-00 Flat Head Microswitch	91-0545-00 Round Lock and Cam Assembly	91-1113-01 Entry/Reject Button US 25°	
90-1008-00 Panhead Microswitch Mounting Screw		91-1116-00 Microswitch (Black End Arm)	
		91-1117-00 Lampholder	
		91-1118-00 6 Volt Wedge Base Lamp	

Fig. 4



## Base Plate Assembly for Coin Doors and Front Plates



The first check on the coin is at the entry slot which prevents the entry of grossly oversize and bent coins. The next test is at the cradle. When the correct coin falls into the cradle, the cradle tips and the coin is delivered to the magnet check. Under-diameter coins fall between the legs of the cradle and are returned to reject. Under-weight coins fail to tip the cradle and can be returned to reject by pressing the reject lever.

### Adjustment

The Gold Mech Acceptors are factory adjusted for optimum performance. If more critical adjustments are desired, or if the unit has been disassembled, the following adjustment procedure is suggested. (Fig. 4).

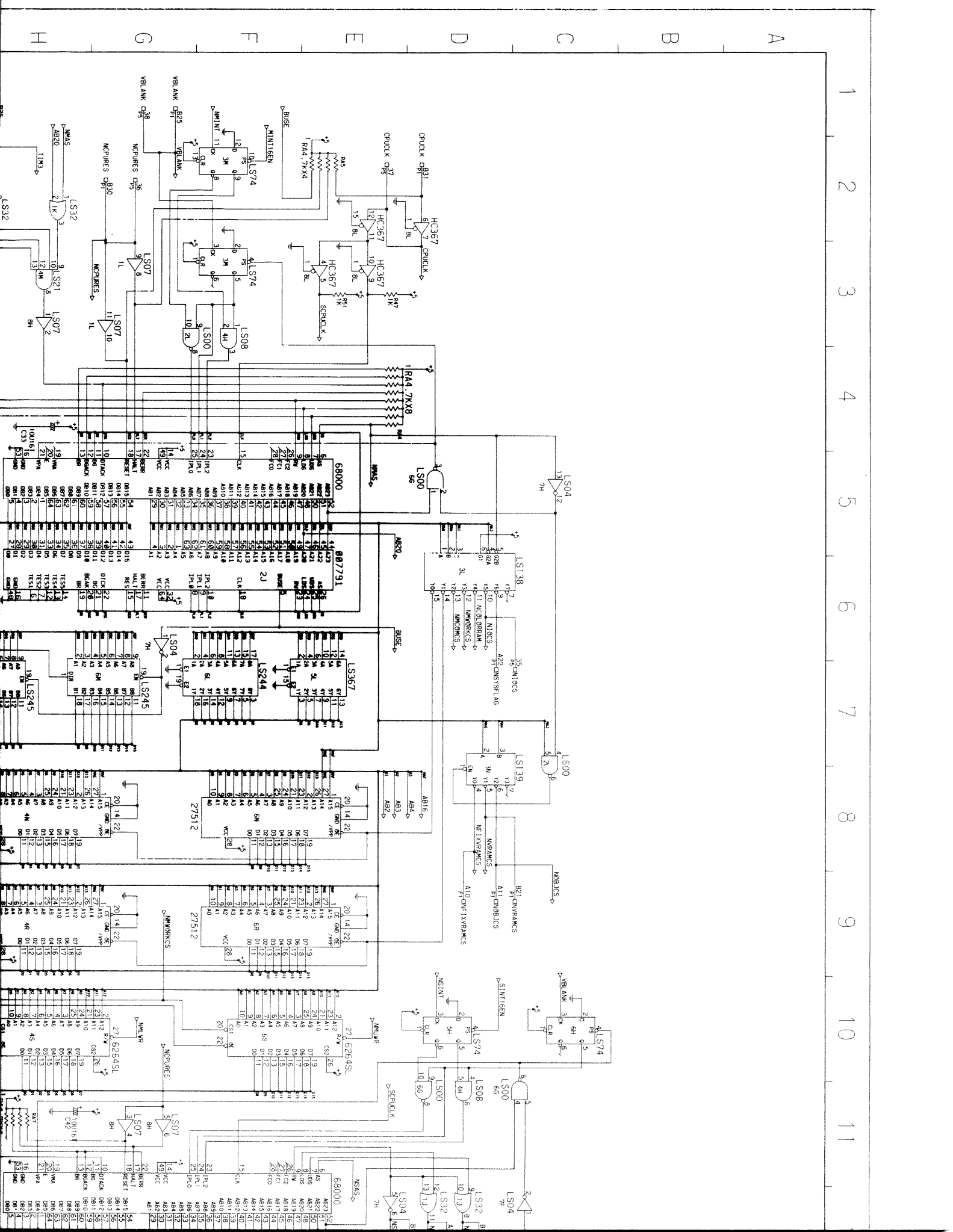
1. Ensure that the mechanism is in an upright and level position.
2. Loosen the hex locking screw on the magnet holder and unscrew the slotted hex screw.
3. Place a true U.S. 25¢ coin in the mechanism. Turn the diameter adjustment (Fig. 4) clockwise until the coin falls into the cradle. The cradle should tip and the coin come to rest on the side of the magnet. Turn the slotted hex screw clockwise until the coin just clears the magnet. Give this screw a further 1/2 turn clockwise for optimum clearance and tighten the locknut.

Part Number	Description
-------------	-------------

12-4150-01	Gold Mech Acceptor
90-1000-00	Keyhook Bezel Screw
90-1007-00	Flat Head Microswitch Mounting Screw
90-1008-00	Pan Head Microswitch Mounting Screw
90-1016-00	CPJS/Bezel Screw
90-1030-00	Mounting Screw for Gold Mech
90-1032-00	Bezel/Hinge Screw PZ
90-1109-00	Lock Washer for Microswitch Assembly
90-1207-00	Nut for Microswitch Mounting Screw
91-1103-00	Coin Inlet Lamp Side
91-1104-00	Coin Inlet Cover Side
91-1105-00	Reject Cup Side Plate
91-1106-00	Reject Cup Base Plate
91-1107-00	Microswitch Bracket
91-1108-01	Lockout Flap U.S. 25*
91-1109-16	Reject Flap
91-1110-00	Metal Switch Adjuster
91-1113-01	Entry/Reject Button U.S. 25*
91-1116-10	Microswitch (Red End Arm)
91-1117-00	Lampholder
91-1118-00	GV Wedge Base Lamp
91-1120-00	Lockout Spring
91-1121-00	Button Spring
91-1125-00	Clear Plastic Cover for Microswitch
91-1141-00	Base Plate w/Pivot Coil
91-1145-00	12 V DC Lockout Coil
91-1311-16	Black Nylon Button Bezel
91-1312-16	Black Nylon Reject Bezel

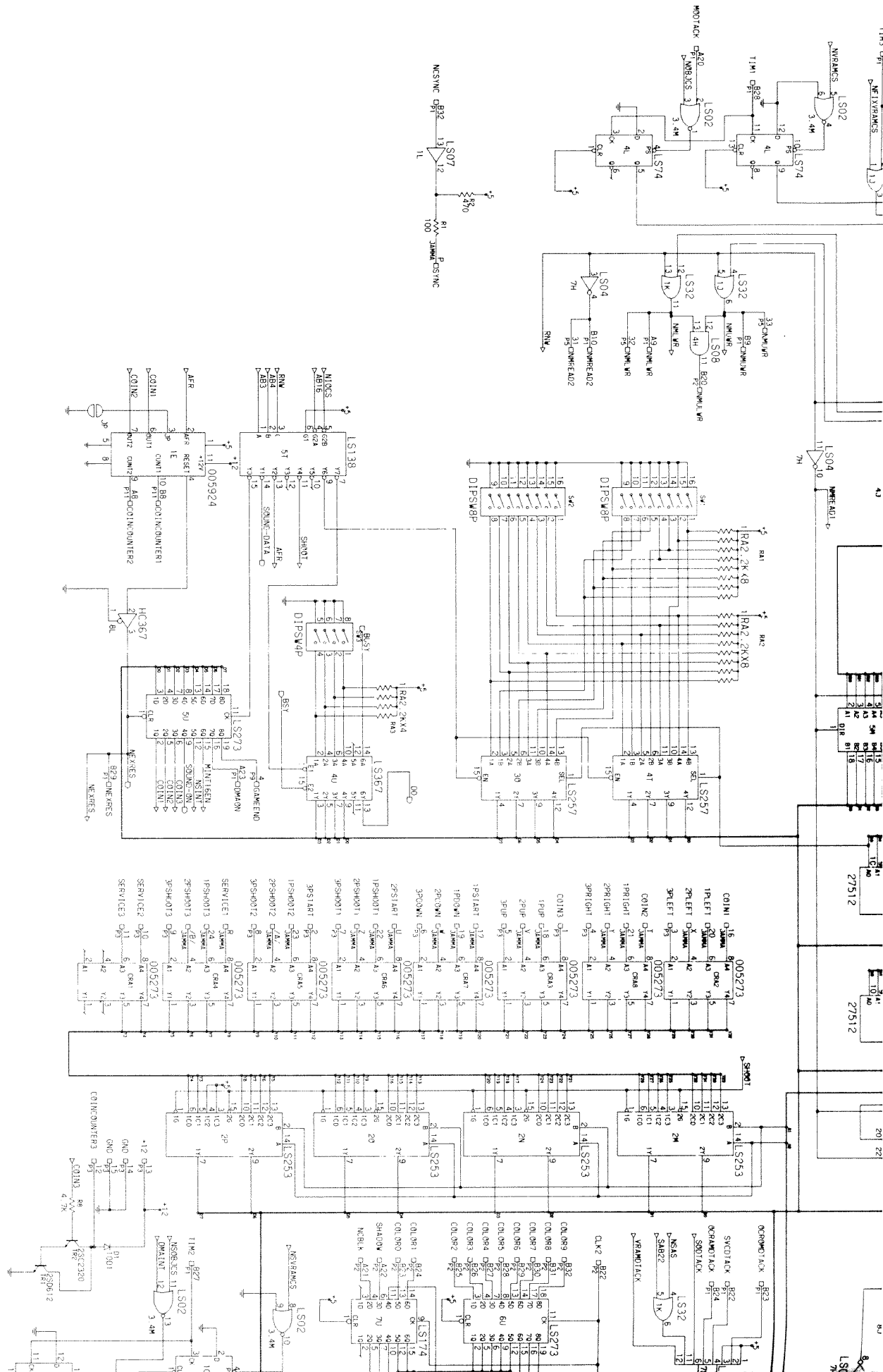


815 Mittel Drive, Wood Dale, Illinois 60191  
Telephone: (312) 595-1443, Telex: 6871385 KONAM UW, Fax: (312) 595-2973  
For Technical Assistance Call Toll Free (800) 222-6181 (Outside Illinois)



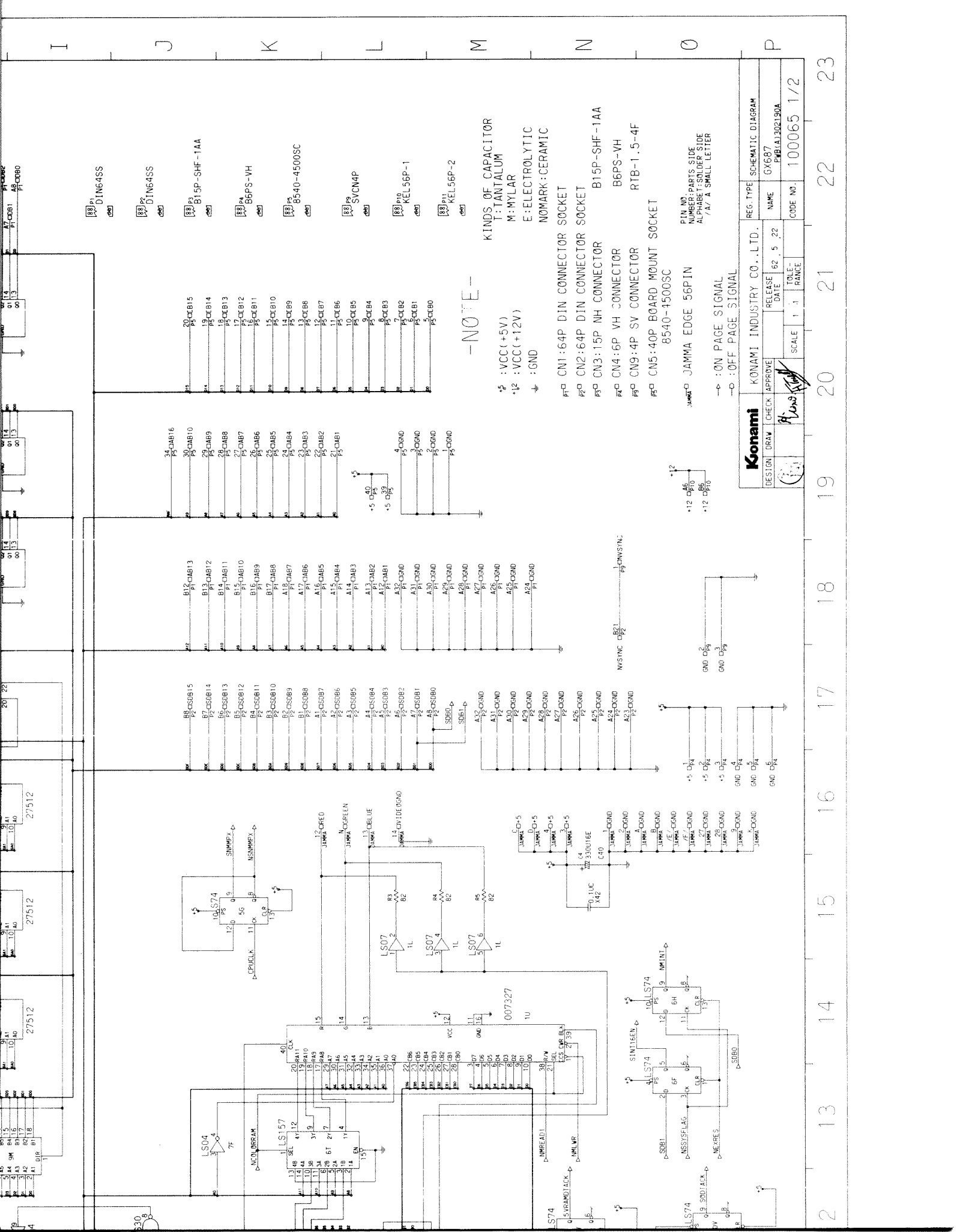
# DARK ADVENTURE

1 2 3 4 5 6 7 8 9 10 11



P Q N M L K J I





88 P1 DIN64SS

88 P2 DIN64SS

88 P3 B15P-SHF-1AA

88 P4 B6P-S-VH

88 P5 8540-4500SC

88 P6 SVN4P

88 P8 KEL56P-1

88 P11 KEL56P-2

KINDS OF CAPACITOR  
 T:TANTALUM  
 M:MYLAR  
 E:ELECTROLYTIC  
 NOMARK: CERAMIC

PN1: 64P DIN CONNECTOR SOCKET  
 PN2: 64P DIN CONNECTOR SOCKET  
 PN3: 15P NH CONNECTOR  
 PN4: 6P VH CONNECTOR  
 PN5: 4P SV CONNECTOR  
 PN6: 40P BOARD MOUNT SOCKET  
 8540-4500SC

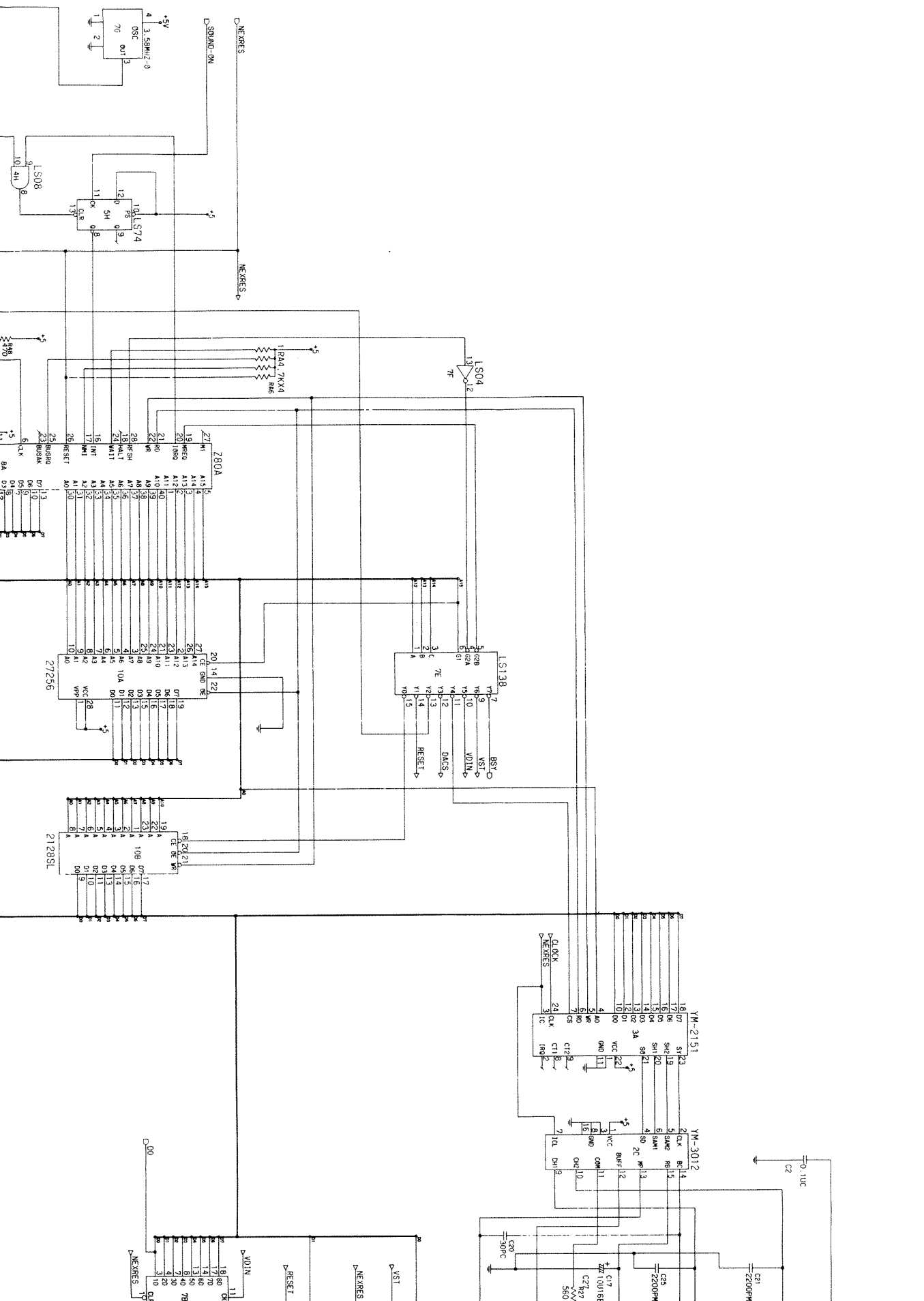
PN7: JAMMA EDGE 56PIN

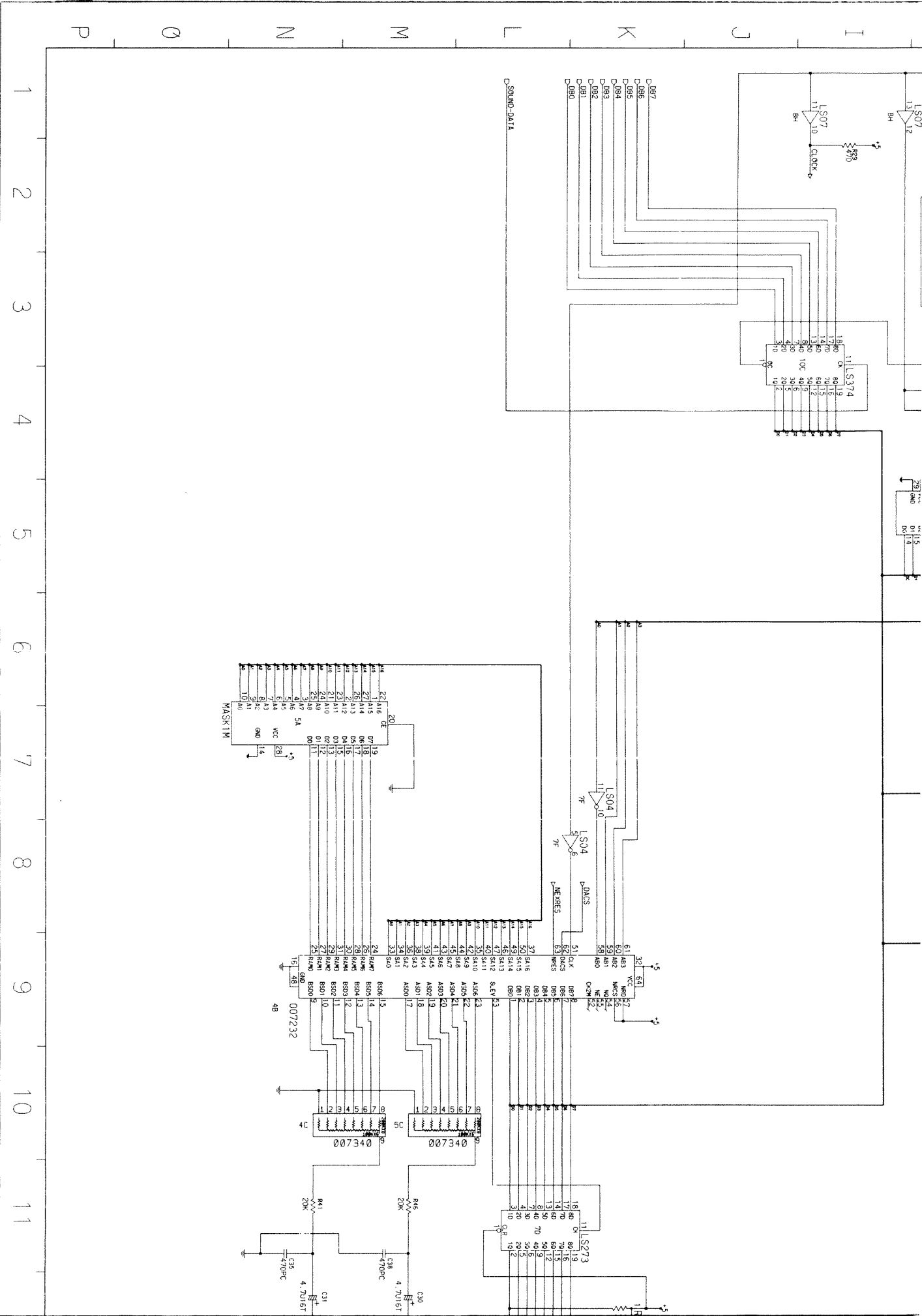
-O: ON PAGE SIGNAL  
 -D: OFF PAGE SIGNAL

<b>Konami</b>		KONAMI INDUSTRY CO., LTD.		REG. TYPE	SCHEMATIC DIAGRAM	
DESIGN	DRAW	CHECK	APPROVE	RELEASE DATE	82.5.22	NAME
			SCALE		1:1	TOLE-RANCE
						CODE NO.
						100065 1/2
						12

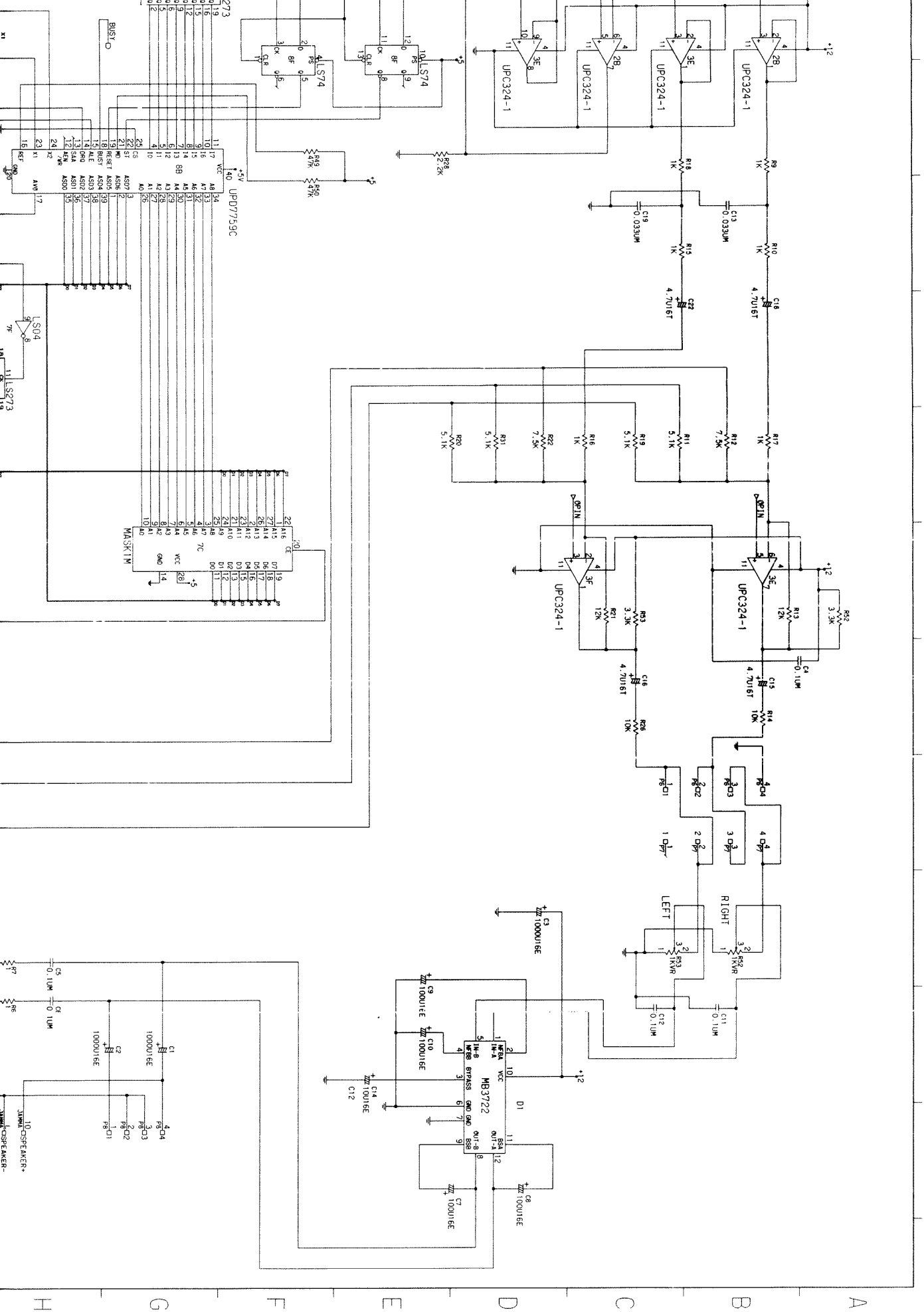
2 13 14 15 16 17 18 19 20 21 22 23

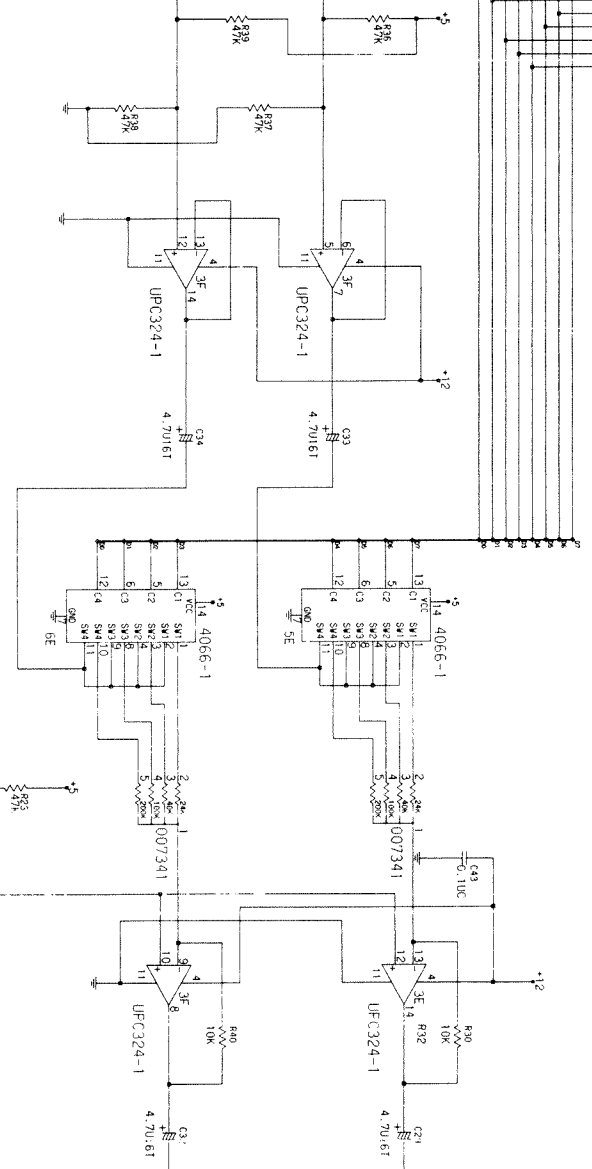
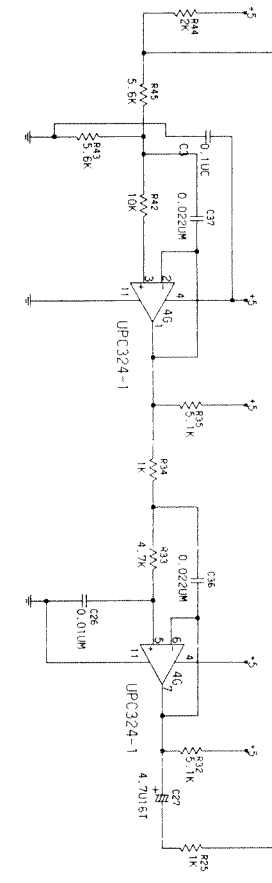
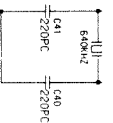






2 13 14 15 16 17 18 19 20 21 22 23

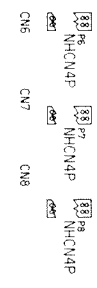




-NOTE-

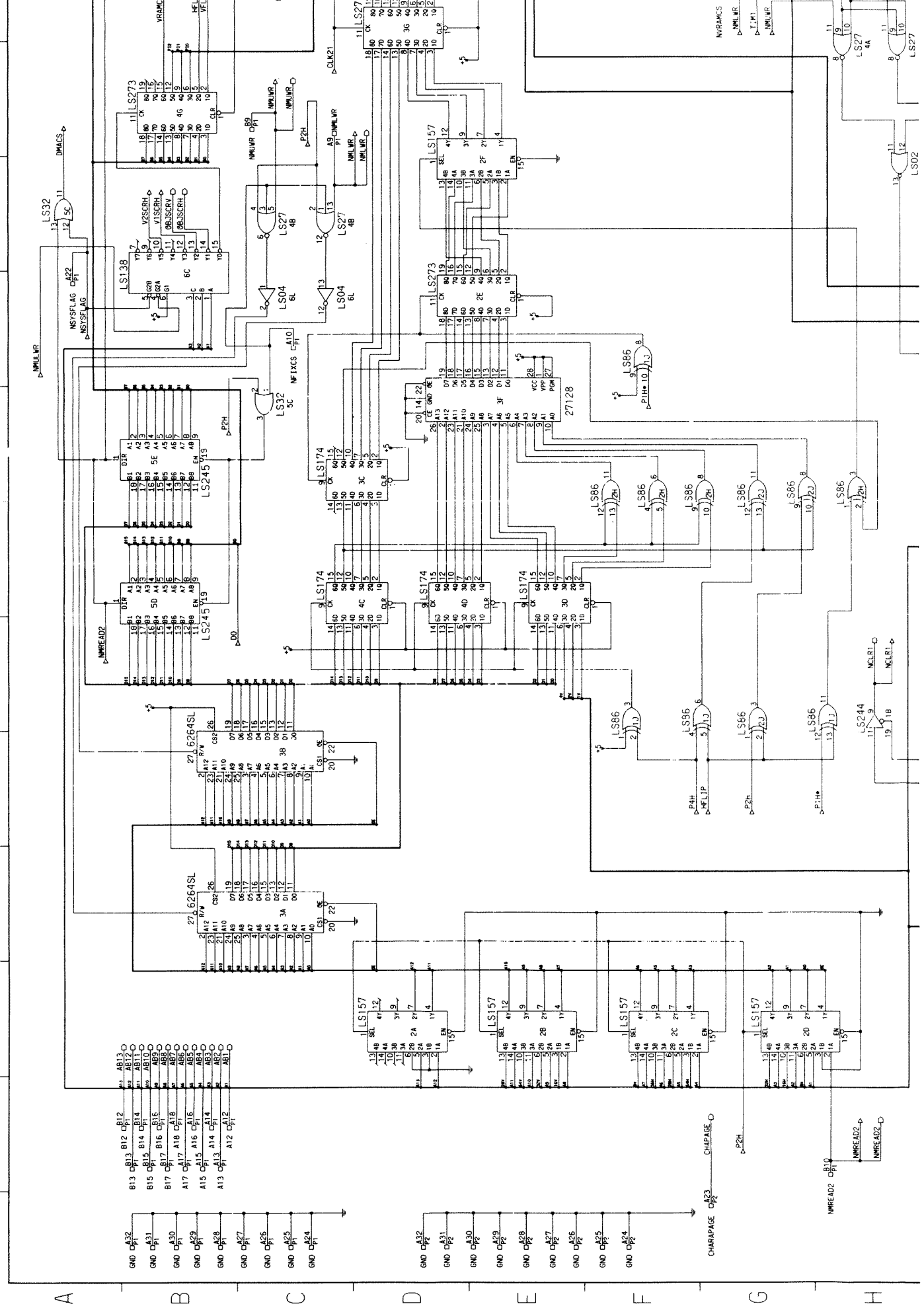
- 5 : VCC(5V)
  - 12 : VCC(12V)
  - ↑ : GND
- KINDS OF CAPACITOR  
 T:TANTALUM  
 M:MYLAR  
 E:ELECTROLYTIC  
 N:MARK: CERAMIC

- 60 : CN6:4P NH CONNECTOR B4P-SHF-1AA
- 61 : CN7:4P NH CONNECTOR B4P-SHF-1AA
- 62 : CN8:4P NH CONNECTOR B4P-SHF-1AA
- 63 : JAMMA EDGE 56PIN
- 64 : NUMBER:PARTS SIDE
- 65 : ALPHABET: SOLDER SIDE
- 66 : OFF PAGE SIGNAL

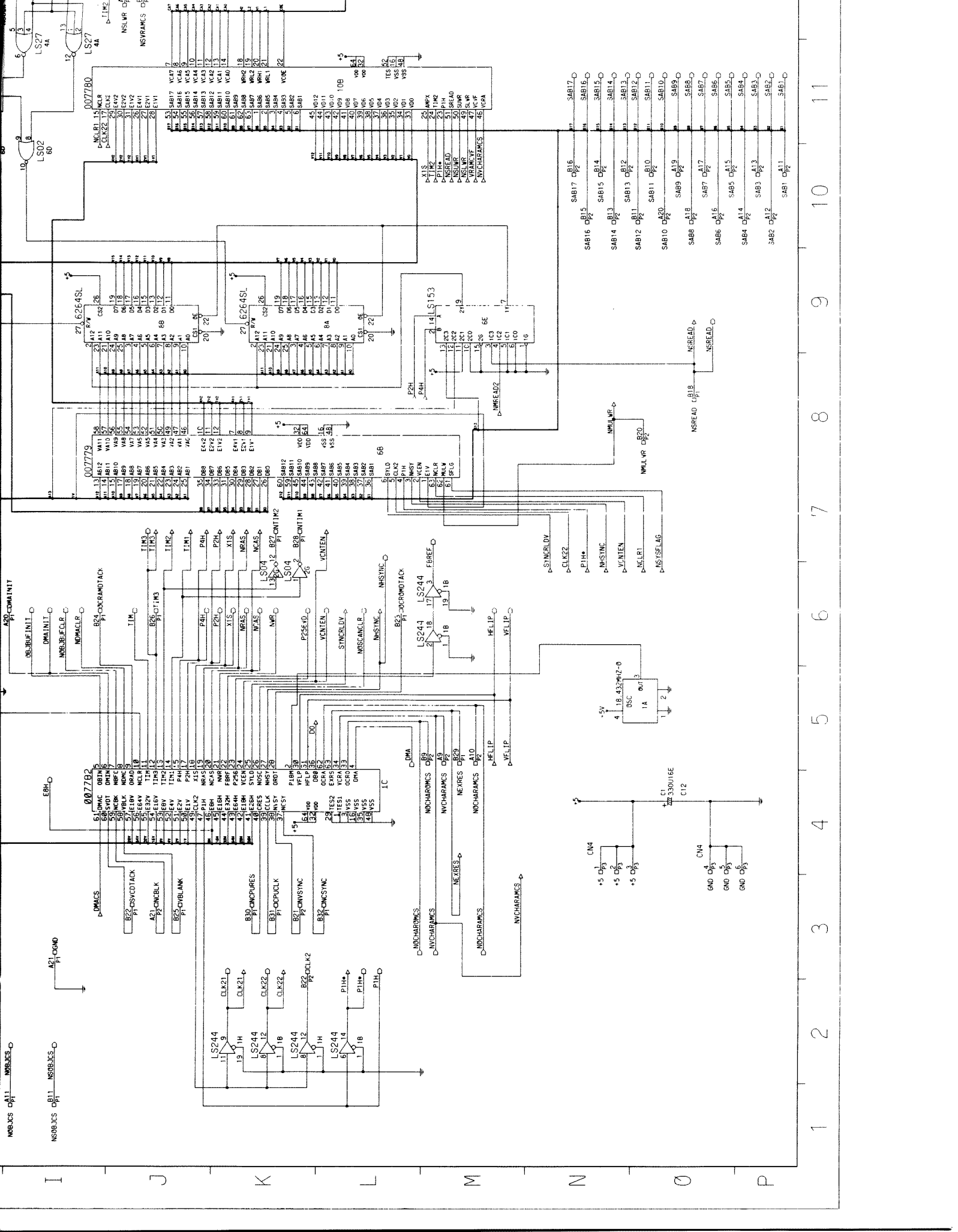


<b>Konami</b>		KONAMI INDUSTRY CO., LTD.	
DESIGN	ORAW	CHEK	APPROVE
SCALE		DATE	62.5.22
ROLE		SCALE	
CODE NO.		NAME	GY687
		DATE	62.5.22
		SCALE	100065 2/2
		CODE NO.	

1  
2  
3  
4  
5  
6  
7  
8  
9  
10  
11



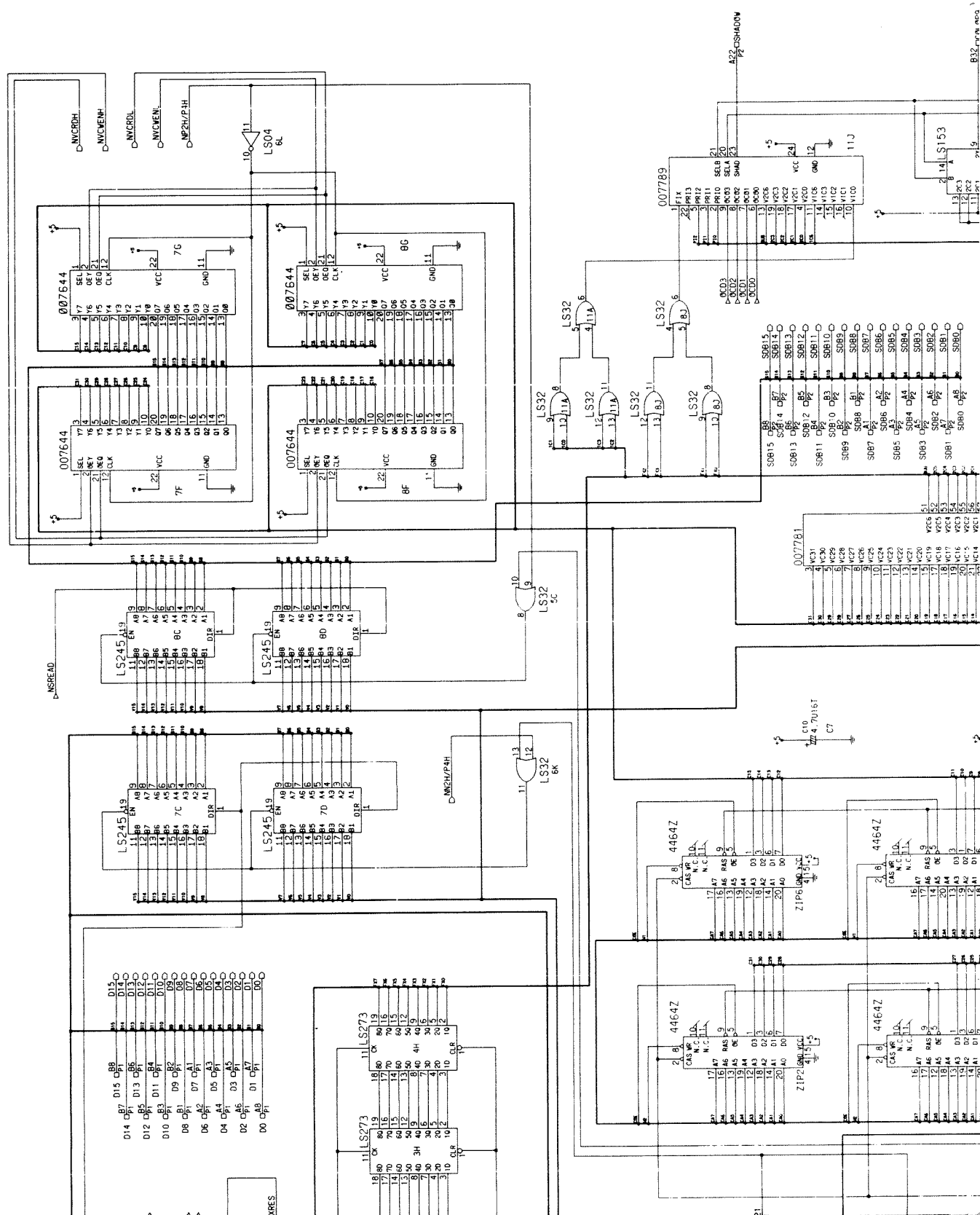
A B C D E F G H



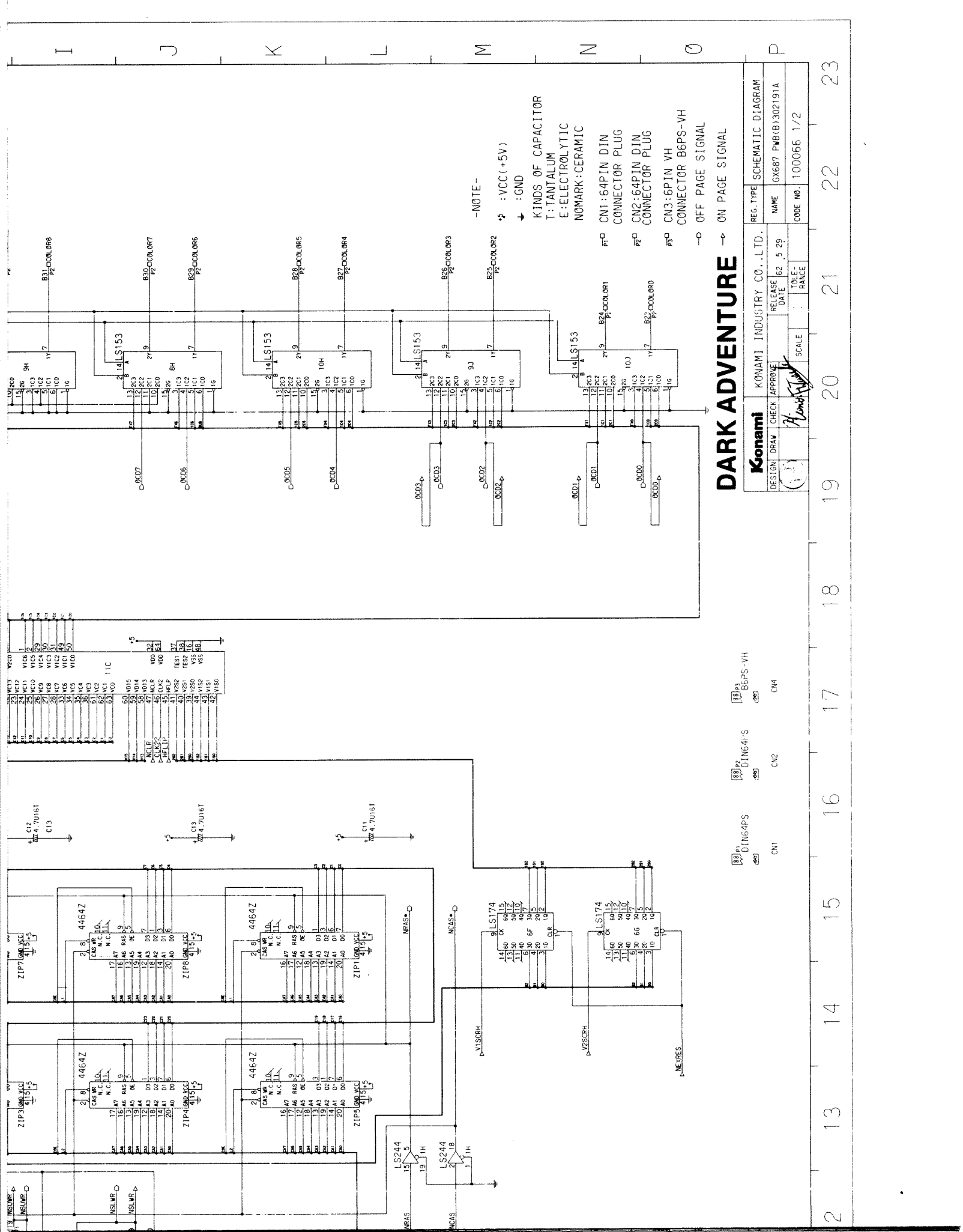
1 2 3 4 5 6 7 8 9 10

2 13 14 15 16 17 18 19 20 21 22 23

A B C D E F G H



832-rvvw.ecg



-NOTE-

↑ : VCC (+5V)

↓ : GND

KINDS OF CAPACITOR  
 T: TANTALUM  
 E: ELECTROLYTIC  
 NOMARK: CERAMIC

□ : 64PIN DIN CONNECTOR PLUG

□ : 64PIN DIN CONNECTOR PLUG

□ : 6PIN VH CONNECTOR B6PS-VH

○ : OFF PAGE SIGNAL

→ : ON PAGE SIGNAL

# DARK ADVENTURE

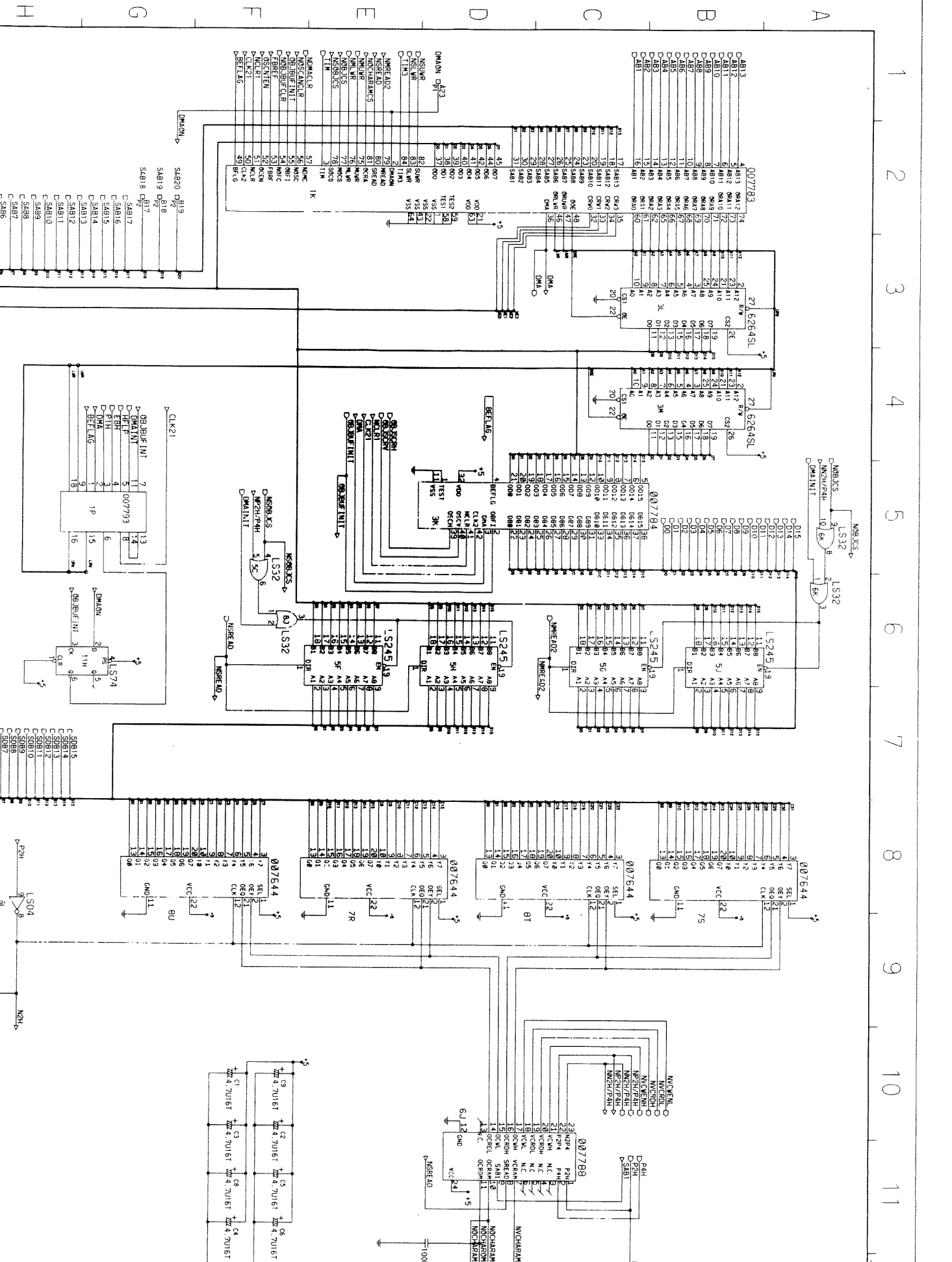
<b>Konami</b>		KONAMI INDUSTRY CO., LTD.		REG. TYPE	SCHEMATIC DIAGRAM
DESIGN	DRAW	CHECK	APPROVE	RELEASE DATE	62.5.29
			SCALE	TOLE-RANCE	
					CODE NO. 100066 1/2
					NAME GX687 PWB(B)302191A

88 P1 DIN64PS  
 88 P2 DIN64PS  
 88 P3 B6PS-VH

CN1 CN2 CN4

2 13 14 15 16 17 18 19 20 21 22 23





- |        |       |       |    |    |    |
|--------|-------|-------|----|----|----|
| 007783 | 41813 | 06A12 | 74 | 21 | 11 |
|        | 41812 | 06A11 | 73 | 21 | 11 |
|        | 41810 | 06A10 | 72 | 21 | 11 |
|        | 41809 | 06A09 | 71 | 21 | 11 |
|        | 41808 | 06A08 | 70 | 21 | 11 |
|        | 41807 | 06A07 | 69 | 21 | 11 |
|        | 41806 | 06A06 | 68 | 21 | 11 |
|        | 41805 | 06A05 | 67 | 21 | 11 |
|        | 41804 | 06A04 | 66 | 21 | 11 |
|        | 41803 | 06A03 | 65 | 21 | 11 |
|        | 41802 | 06A02 | 64 | 21 | 11 |
|        | 41801 | 06A01 | 63 | 21 | 11 |
|        | 41800 | 06A00 | 62 | 21 | 11 |
|        | 41799 | 06A99 | 61 | 21 | 11 |
|        | 41798 | 06A98 | 60 | 21 | 11 |
|        | 41797 | 06A97 | 59 | 21 | 11 |
|        | 41796 | 06A96 | 58 | 21 | 11 |
|        | 41795 | 06A95 | 57 | 21 | 11 |
|        | 41794 | 06A94 | 56 | 21 | 11 |
|        | 41793 | 06A93 | 55 | 21 | 11 |
|        | 41792 | 06A92 | 54 | 21 | 11 |
|        | 41791 | 06A91 | 53 | 21 | 11 |
|        | 41790 | 06A90 | 52 | 21 | 11 |
|        | 41789 | 06A89 | 51 | 21 | 11 |
|        | 41788 | 06A88 | 50 | 21 | 11 |
|        | 41787 | 06A87 | 49 | 21 | 11 |
|        | 41786 | 06A86 | 48 | 21 | 11 |
|        | 41785 | 06A85 | 47 | 21 | 11 |
|        | 41784 | 06A84 | 46 | 21 | 11 |
|        | 41783 | 06A83 | 45 | 21 | 11 |
|        | 41782 | 06A82 | 44 | 21 | 11 |
|        | 41781 | 06A81 | 43 | 21 | 11 |
|        | 41780 | 06A80 | 42 | 21 | 11 |
|        | 41779 | 06A79 | 41 | 21 | 11 |
|        | 41778 | 06A78 | 40 | 21 | 11 |
|        | 41777 | 06A77 | 39 | 21 | 11 |
|        | 41776 | 06A76 | 38 | 21 | 11 |
|        | 41775 | 06A75 | 37 | 21 | 11 |
|        | 41774 | 06A74 | 36 | 21 | 11 |
|        | 41773 | 06A73 | 35 | 21 | 11 |
|        | 41772 | 06A72 | 34 | 21 | 11 |
|        | 41771 | 06A71 | 33 | 21 | 11 |
|        | 41770 | 06A70 | 32 | 21 | 11 |
|        | 41769 | 06A69 | 31 | 21 | 11 |
|        | 41768 | 06A68 | 30 | 21 | 11 |
|        | 41767 | 06A67 | 29 | 21 | 11 |
|        | 41766 | 06A66 | 28 | 21 | 11 |
|        | 41765 | 06A65 | 27 | 21 | 11 |
|        | 41764 | 06A64 | 26 | 21 | 11 |
|        | 41763 | 06A63 | 25 | 21 | 11 |
|        | 41762 | 06A62 | 24 | 21 | 11 |
|        | 41761 | 06A61 | 23 | 21 | 11 |
|        | 41760 | 06A60 | 22 | 21 | 11 |
|        | 41759 | 06A59 | 21 | 21 | 11 |
|        | 41758 | 06A58 | 20 | 21 | 11 |
|        | 41757 | 06A57 | 19 | 21 | 11 |
|        | 41756 | 06A56 | 18 | 21 | 11 |
|        | 41755 | 06A55 | 17 | 21 | 11 |
|        | 41754 | 06A54 | 16 | 21 | 11 |
|        | 41753 | 06A53 | 15 | 21 | 11 |
|        | 41752 | 06A52 | 14 | 21 | 11 |
|        | 41751 | 06A51 | 13 | 21 | 11 |
|        | 41750 | 06A50 | 12 | 21 | 11 |
|        | 41749 | 06A49 | 11 | 21 | 11 |
|        | 41748 | 06A48 | 10 | 21 | 11 |
|        | 41747 | 06A47 | 9  | 21 | 11 |
|        | 41746 | 06A46 | 8  | 21 | 11 |
|        | 41745 | 06A45 | 7  | 21 | 11 |
|        | 41744 | 06A44 | 6  | 21 | 11 |
|        | 41743 | 06A43 | 5  | 21 | 11 |
|        | 41742 | 06A42 | 4  | 21 | 11 |
|        | 41741 | 06A41 | 3  | 21 | 11 |
|        | 41740 | 06A40 | 2  | 21 | 11 |
|        | 41739 | 06A39 | 1  | 21 | 11 |

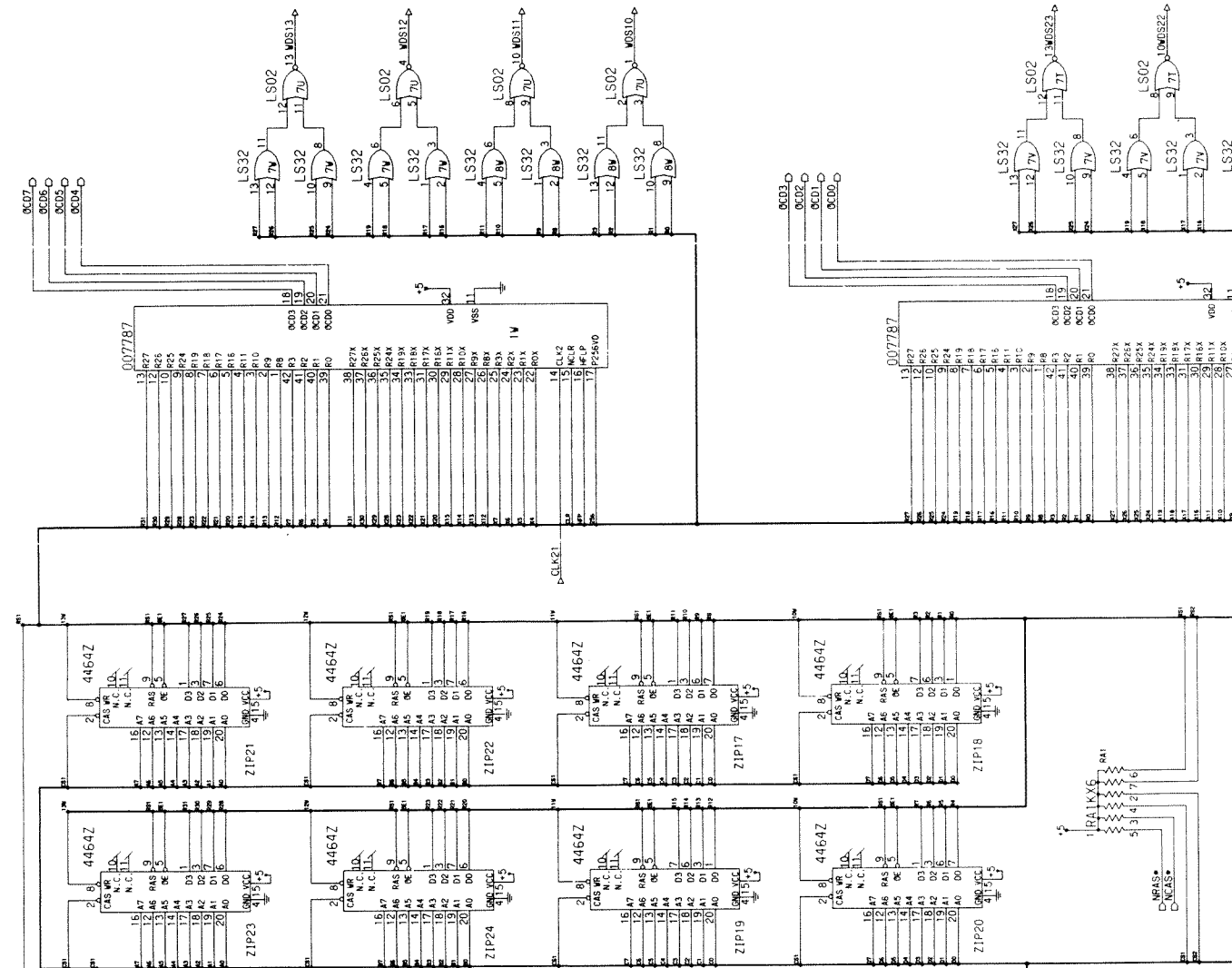
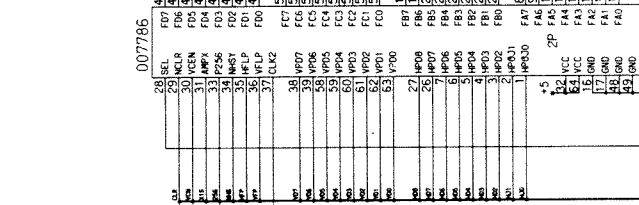
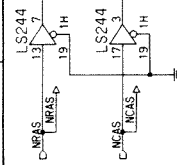
- |        |       |       |    |    |    |
|--------|-------|-------|----|----|----|
| 007784 | 51015 | 06B15 | 38 | 21 | 11 |
|        | 51014 | 06B14 | 37 | 21 | 11 |
|        | 51013 | 06B13 | 36 | 21 | 11 |
|        | 51012 | 06B12 | 35 | 21 | 11 |
|        | 51011 | 06B11 | 34 | 21 | 11 |
|        | 51010 | 06B10 | 33 | 21 | 11 |
|        | 51009 | 06B09 | 32 | 21 | 11 |
|        | 51008 | 06B08 | 31 | 21 | 11 |
|        | 51007 | 06B07 | 30 | 21 | 11 |
|        | 51006 | 06B06 | 29 | 21 | 11 |
|        | 51005 | 06B05 | 28 | 21 | 11 |
|        | 51004 | 06B04 | 27 | 21 | 11 |
|        | 51003 | 06B03 | 26 | 21 | 11 |
|        | 51002 | 06B02 | 25 | 21 | 11 |
|        | 51001 | 06B01 | 24 | 21 | 11 |
|        | 51000 | 06B00 | 23 | 21 | 11 |
|        | 50999 | 06B99 | 22 | 21 | 11 |
|        | 50998 | 06B98 | 21 | 21 | 11 |
|        | 50997 | 06B97 | 20 | 21 | 11 |
|        | 50996 | 06B96 | 19 | 21 | 11 |
|        | 50995 | 06B95 | 18 | 21 | 11 |
|        | 50994 | 06B94 | 17 | 21 | 11 |
|        | 50993 | 06B93 | 16 | 21 | 11 |
|        | 50992 | 06B92 | 15 | 21 | 11 |
|        | 50991 | 06B91 | 14 | 21 | 11 |
|        | 50990 | 06B90 | 13 | 21 | 11 |
|        | 50989 | 06B89 | 12 | 21 | 11 |
|        | 50988 | 06B88 | 11 | 21 | 11 |
|        | 50987 | 06B87 | 10 | 21 | 11 |
|        | 50986 | 06B86 | 9  | 21 | 11 |
|        | 50985 | 06B85 | 8  | 21 | 11 |
|        | 50984 | 06B84 | 7  | 21 | 11 |
|        | 50983 | 06B83 | 6  | 21 | 11 |
|        | 50982 | 06B82 | 5  | 21 | 11 |
|        | 50981 | 06B81 | 4  | 21 | 11 |
|        | 50980 | 06B80 | 3  | 21 | 11 |
|        | 50979 | 06B79 | 2  | 21 | 11 |
|        | 50978 | 06B78 | 1  | 21 | 11 |

- |        |       |       |    |    |    |
|--------|-------|-------|----|----|----|
| 007785 | 61015 | 06C15 | 38 | 21 | 11 |
|        | 61014 | 06C14 | 37 | 21 | 11 |
|        | 61013 | 06C13 | 36 | 21 | 11 |
|        | 61012 | 06C12 | 35 | 21 | 11 |
|        | 61011 | 06C11 | 34 | 21 | 11 |
|        | 61010 | 06C10 | 33 | 21 | 11 |
|        | 61009 | 06C09 | 32 | 21 | 11 |
|        | 61008 | 06C08 | 31 | 21 | 11 |
|        | 61007 | 06C07 | 30 | 21 | 11 |
|        | 61006 | 06C06 | 29 | 21 | 11 |
|        | 61005 | 06C05 | 28 | 21 | 11 |
|        | 61004 | 06C04 | 27 | 21 | 11 |
|        | 61003 | 06C03 | 26 | 21 | 11 |
|        | 61002 | 06C02 | 25 | 21 | 11 |
|        | 61001 | 06C01 | 24 | 21 | 11 |
|        | 61000 | 06C00 | 23 | 21 | 11 |
|        | 60999 | 06C99 | 22 | 21 | 11 |
|        | 60998 | 06C98 | 21 | 21 | 11 |
|        | 60997 | 06C97 | 20 | 21 | 11 |
|        | 60996 | 06C96 | 19 | 21 | 11 |
|        | 60995 | 06C95 | 18 | 21 | 11 |
|        | 60994 | 06C94 | 17 | 21 | 11 |
|        | 60993 | 06C93 | 16 | 21 | 11 |
|        | 60992 | 06C92 | 15 | 21 | 11 |
|        | 60991 | 06C91 | 14 | 21 | 11 |
|        | 60990 | 06C90 | 13 | 21 | 11 |
|        | 60989 | 06C89 | 12 | 21 | 11 |
|        | 60988 | 06C88 | 11 | 21 | 11 |
|        | 60987 | 06C87 | 10 | 21 | 11 |
|        | 60986 | 06C86 | 9  | 21 | 11 |
|        | 60985 | 06C85 | 8  | 21 | 11 |
|        | 60984 | 06C84 | 7  | 21 | 11 |
|        | 60983 | 06C83 | 6  | 21 | 11 |
|        | 60982 | 06C82 | 5  | 21 | 11 |
|        | 60981 | 06C81 | 4  | 21 | 11 |
|        | 60980 | 06C80 | 3  | 21 | 11 |
|        | 60979 | 06C79 | 2  | 21 | 11 |
|        | 60978 | 06C78 | 1  | 21 | 11 |

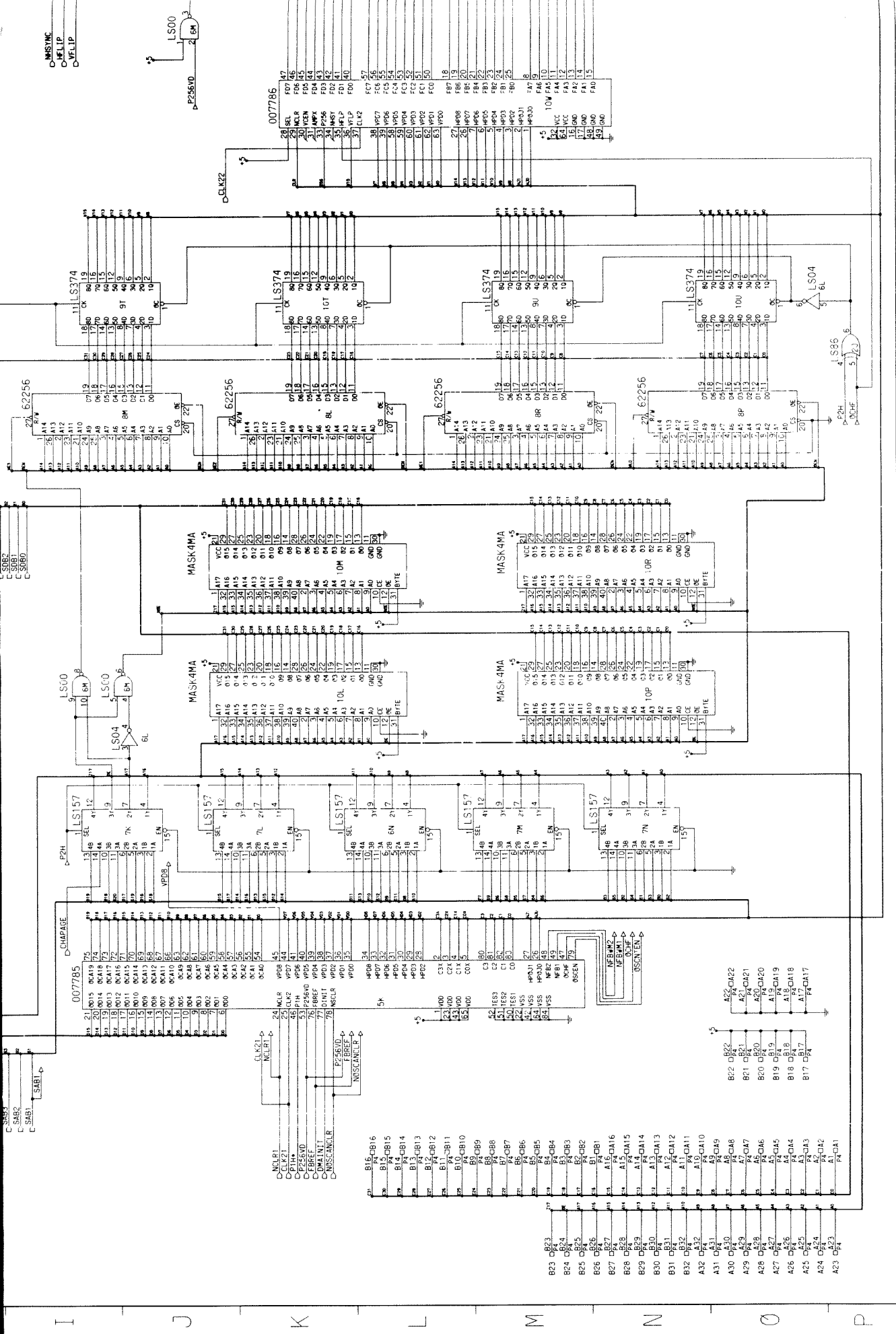
- |        |       |       |    |    |    |
|--------|-------|-------|----|----|----|
| 007786 | 71015 | 06D15 | 38 | 21 | 11 |
|        | 71014 | 06D14 | 37 | 21 | 11 |
|        | 71013 | 06D13 | 36 | 21 | 11 |
|        | 71012 | 06D12 | 35 | 21 | 11 |
|        | 71011 | 06D11 | 34 | 21 | 11 |
|        | 71010 | 06D10 | 33 | 21 | 11 |
|        | 71009 | 06D09 | 32 | 21 | 11 |
|        | 71008 | 06D08 | 31 | 21 | 11 |
|        | 71007 | 06D07 | 30 | 21 | 11 |
|        | 71006 | 06D06 | 29 | 21 | 11 |
|        | 71005 | 06D05 | 28 | 21 | 11 |
|        | 71004 | 06D04 | 27 | 21 | 11 |
|        | 71003 | 06D03 | 26 | 21 | 11 |
|        | 71002 | 06D02 | 25 | 21 | 11 |
|        | 71001 | 06D01 | 24 | 21 | 11 |
|        | 71000 | 06D00 | 23 | 21 | 11 |
|        | 70999 | 06D99 | 22 | 21 | 11 |
|        | 70998 | 06D98 | 21 | 21 | 11 |
|        | 70997 | 06D97 | 20 | 21 | 11 |
|        | 70996 | 06D96 | 19 | 21 | 11 |
|        | 70995 | 06D95 | 18 | 21 | 11 |
|        | 70994 | 06D94 | 17 | 21 | 11 |
|        | 70993 | 06D93 | 16 | 21 | 11 |
|        | 70992 | 06D92 | 15 | 21 | 11 |
|        | 70991 | 06D91 | 14 | 21 | 11 |
|        | 70990 | 06D90 | 13 | 21 | 11 |
|        | 70989 | 06D89 | 12 | 21 | 11 |
|        | 70988 | 06D88 | 11 | 21 | 11 |
|        | 70987 | 06D87 | 10 | 21 | 11 |
|        | 70986 | 06D86 | 9  | 21 | 11 |
|        | 70985 | 06D85 | 8  | 21 | 11 |
|        | 70984 | 06D84 | 7  | 21 | 11 |
|        | 70983 | 06D83 | 6  | 21 | 11 |
|        | 70982 | 06D82 | 5  | 21 | 11 |
|        | 70981 | 06D81 | 4  | 21 | 11 |
|        | 70980 | 06D80 | 3  | 21 | 11 |
|        | 70979 | 06D79 | 2  | 21 | 11 |
|        | 70978 | 06D78 | 1  | 21 | 11 |

2 13 14 15 16 17 18 19 20 21 22 23

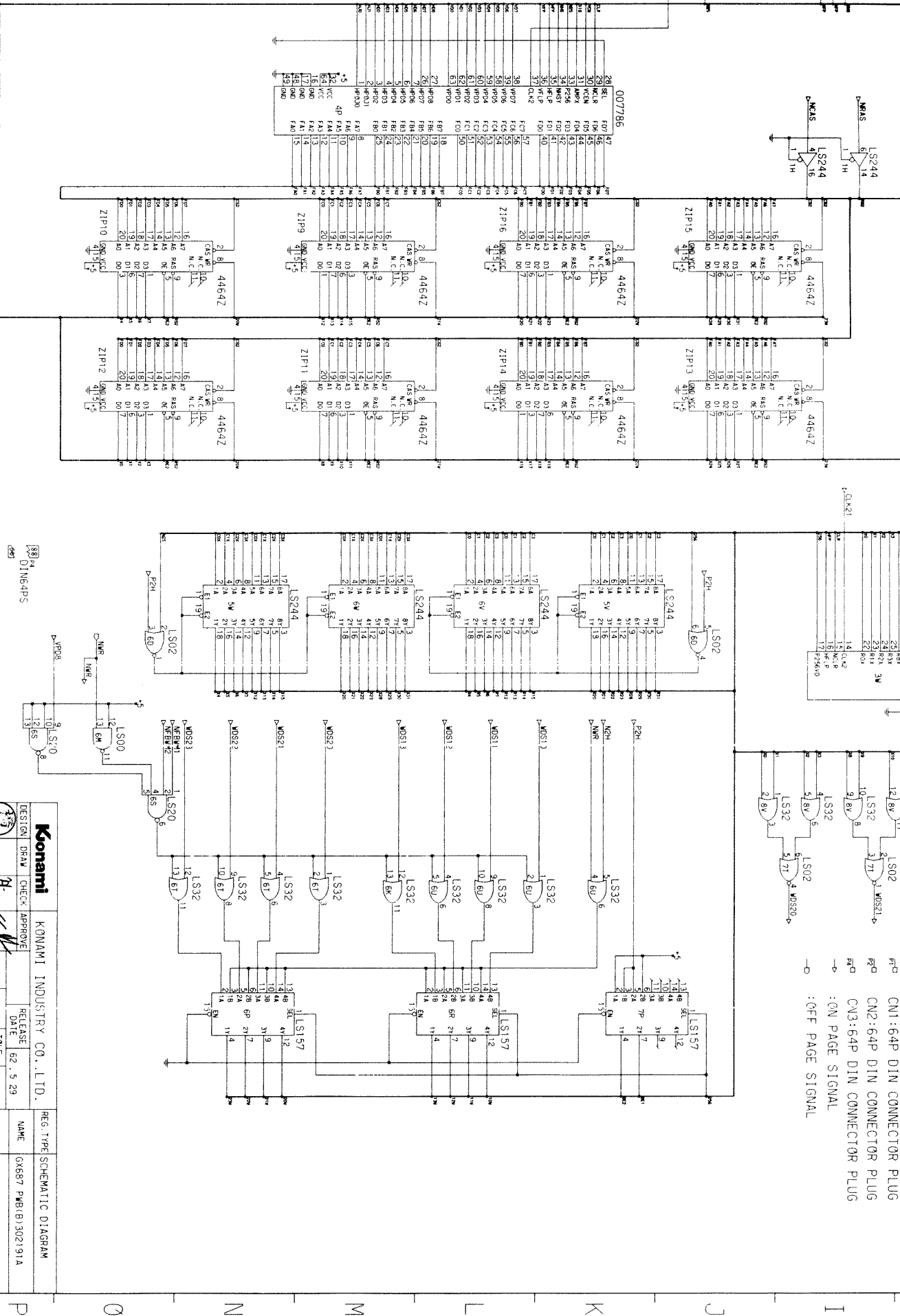
A B C D E F G H



-NOTE -  
 ↕ : VCC (+5V)  
 ⊥ : GND  
 KINDS OF CAPACITOR  
 T: TANTALUM  
 E: ELECTROLYTIC  
 NOMARY: CERAMIC

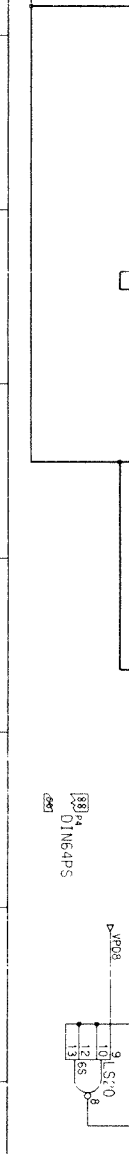


1 2 3 4 5 6 7 8 9 10 11



12 13 14 15 16 17 18 19 20 21 22 23

<b>Konami</b>		KONAMI INDUSTRY CO., LTD.	
DESIGN	DRAW	CHECK	APPROVE
RELEASE DATE		62.5.29	
SCALE		TOLERANCE	
CODE NO.		100066 2/2	
REG. TYPE		SCHEMATIC DIAGRAM	
NAME		GX687 PWB(B)302191A	



P Q N M L K J I