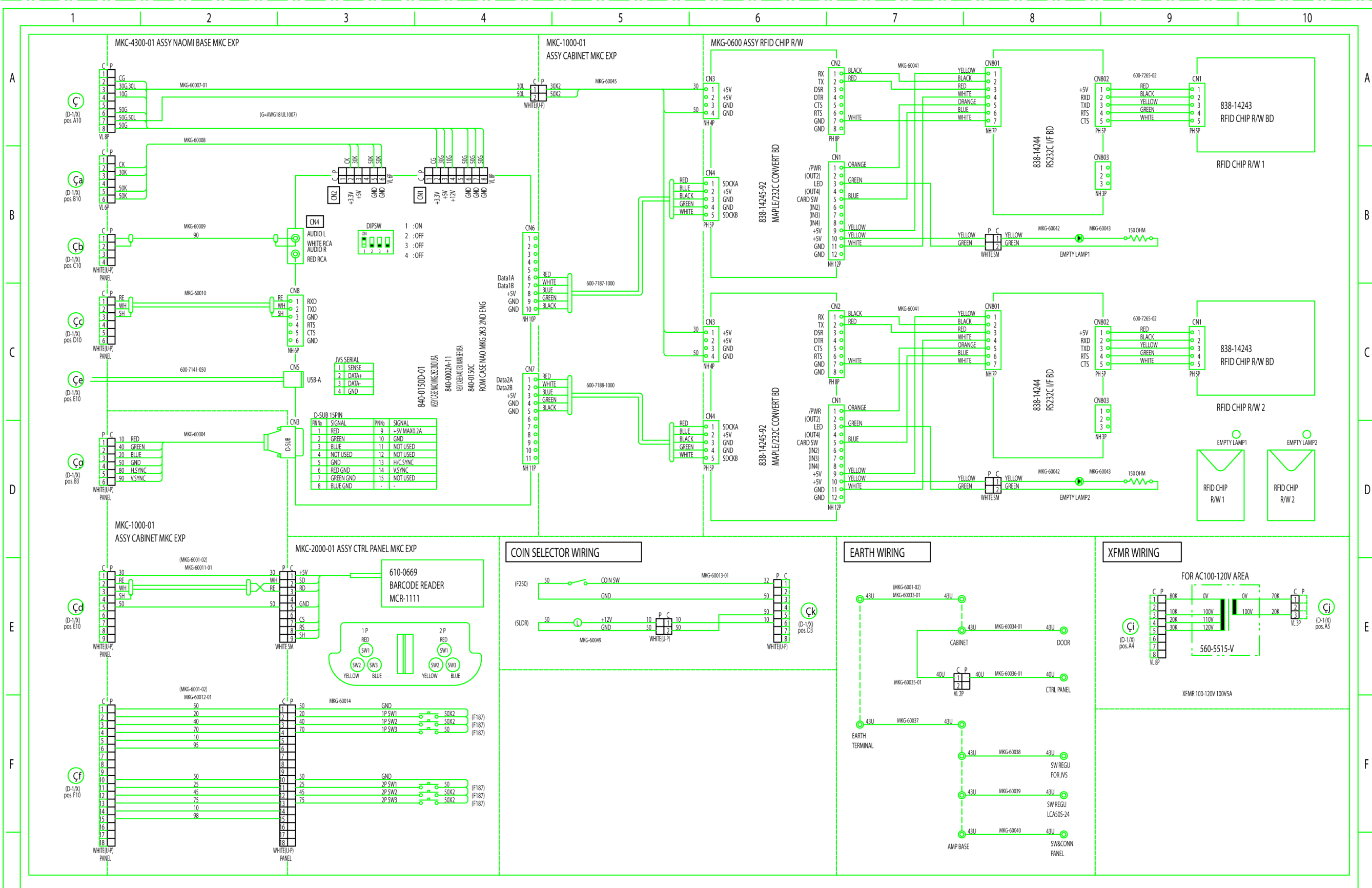
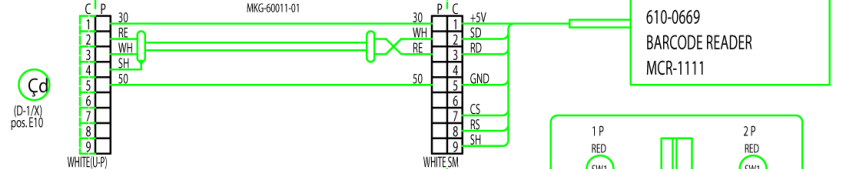


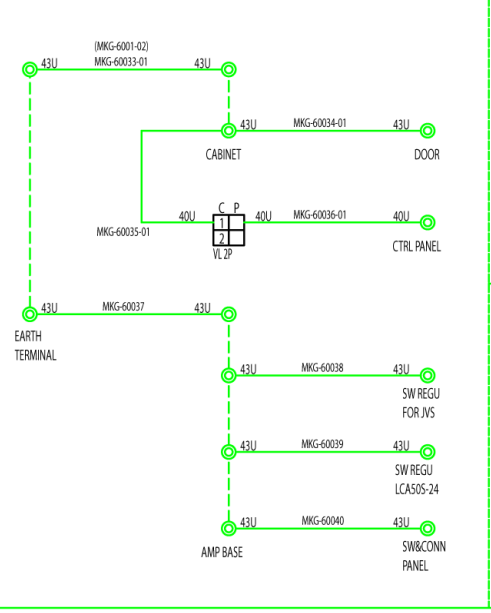
ALTERATION		5 WHITE	B SKY BLUE	G AWG18 UL1007	SUB ASSY	27/Aug/04' Y Sato	TOP ASSY	TOP ASSY MKC-0000-01	DESCRIPTION	REV
		4 GREEN	A PINK	U AWG16 UL1015						
		3 YELLOW	9 GRAY	E LIGHT GREEN	K AWG18 UL1015			DC-0093-US(1/X)	DIAGRAM No.	
		2 BLUE	8 BLACK	D PURPLE	L AWG20 UL1007					
		1 RED	7 ORANGE	C BROWN	M AWG22 UL1007					
		WIRE COLOR			AWG SIZE					



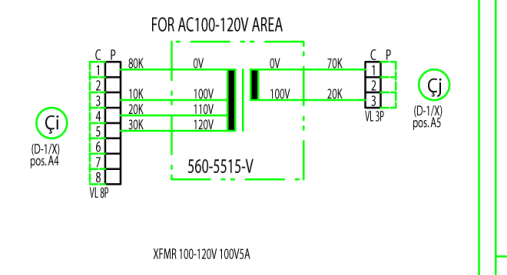
COIN SELECTOR WIRING



EARTH WIRING



XFMR WIRING



ALTERATION		WIRE COLOR		AWG SIZE		SUB ASSY		TOP ASSY		DESCRIPTION		DIAGRAM No.	
5	WHITE	B	SKY BLUE	U	AWG16 UL1015	MKC-0000-01		MKC-0000-01		TOP ASSY MKC EXP CABI OEM		DC-0093-US(2/3)	
4	GREEN	A	PINK	K	AWG18 UL1015								
3	YELLOW	9	GRAY	E	LIGHT GREEN								
2	BLUE	8	BLACK	D	PURPLE								
1	RED	7	ORANGE	C	BROWN								

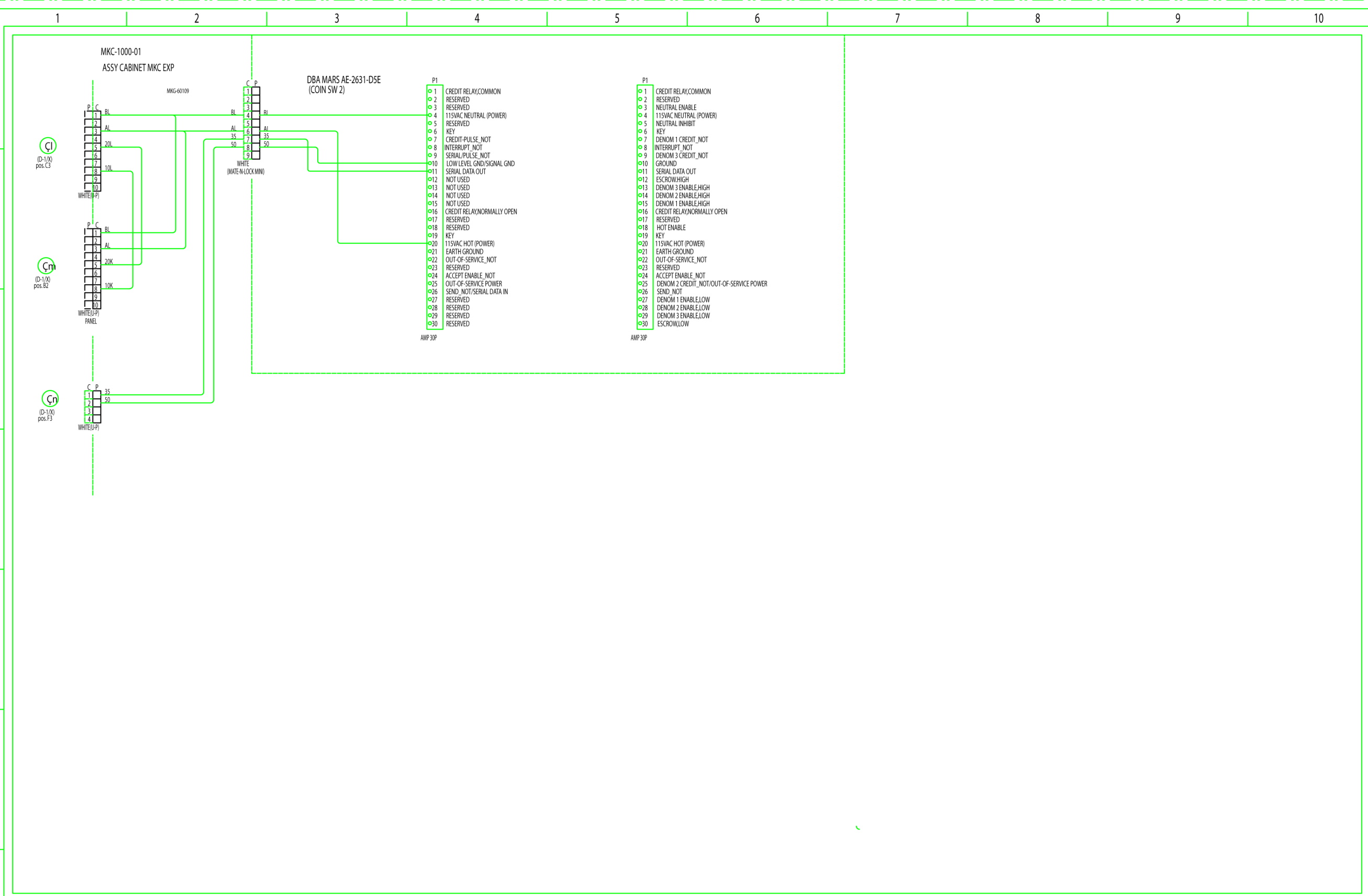
27/Aug/04
Y Sato

TOP ASSY MKC EXP CABI OEM

DC-0093-US(2/3)

DESCRIPTION

DIAGRAM No.



ALTERATION		WIRE COLOR		AWG SIZE		TOP ASSY		SUB ASSY		REV	
5	WHITE	B	SKY BLUE			U	AWG16 UL1015				
4	GREEN	A	PINK			K	AWG18 UL1015				
3	YELLOW	9	GRAY	E	LIGHT GREEN	L	AWG20 UL1007				
2	BLUE	8	BLACK	D	PURPLE						
1	RED	7	ORANGE	C	BROWN						

21/Aug/04' Y Sato
 TOP ASSY MKC EXP CABI OEM
 DC-0093-US(3/3)