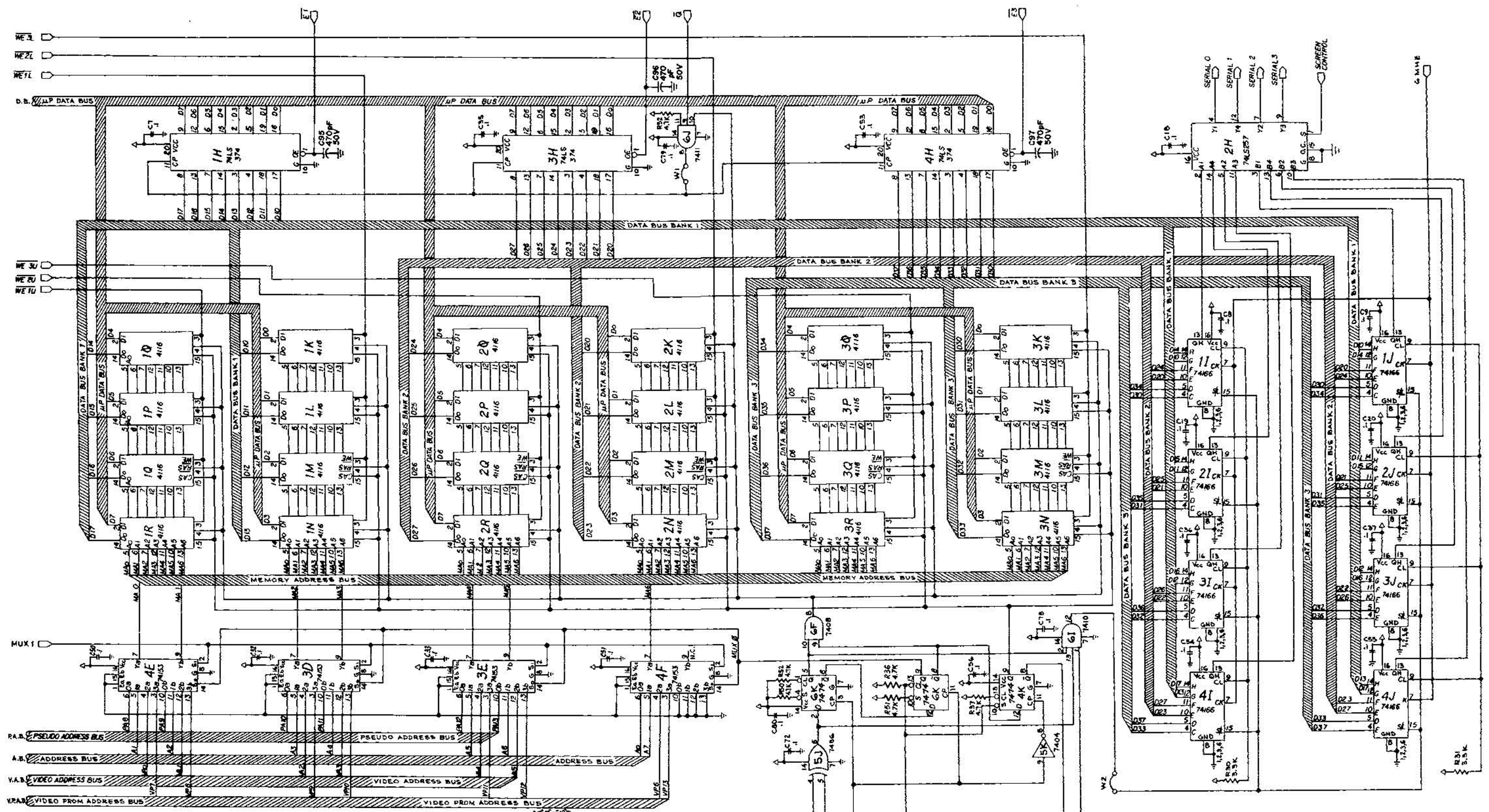
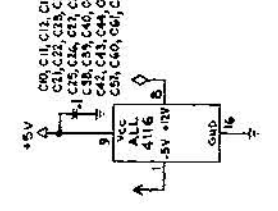


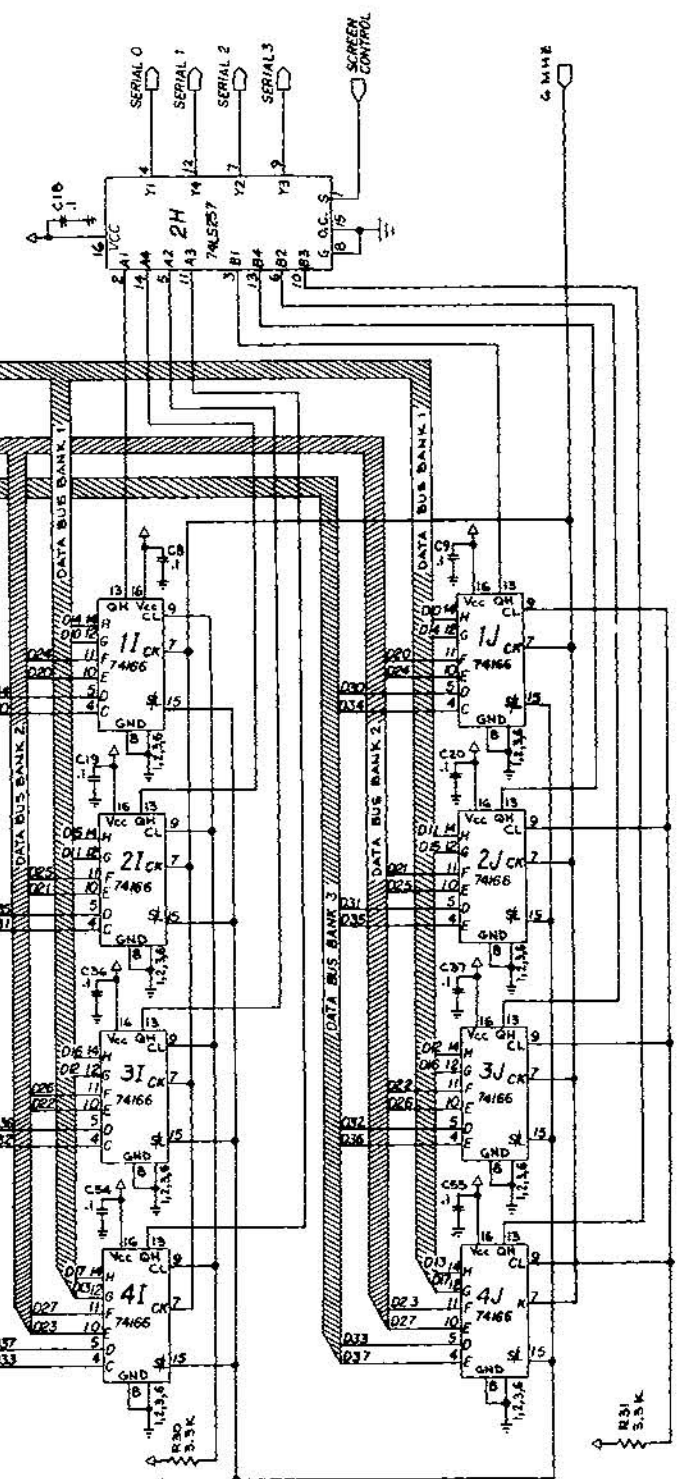
- NOTES:**
1. - ALL RESISTORS, 1/4 WATT UNLESS OTHERWISE SPECIFIED.
 2. - ALL CAPACITORS, MFD. UNLESS OTHERWISE SPECIFIED.
 3. - FOR LOGIC SPARES, SEE CHART IN SHEET #2 OF 2.
 4. A) FROM SHEET #2 OF 2. B) TO SHEET #2 OF 2.

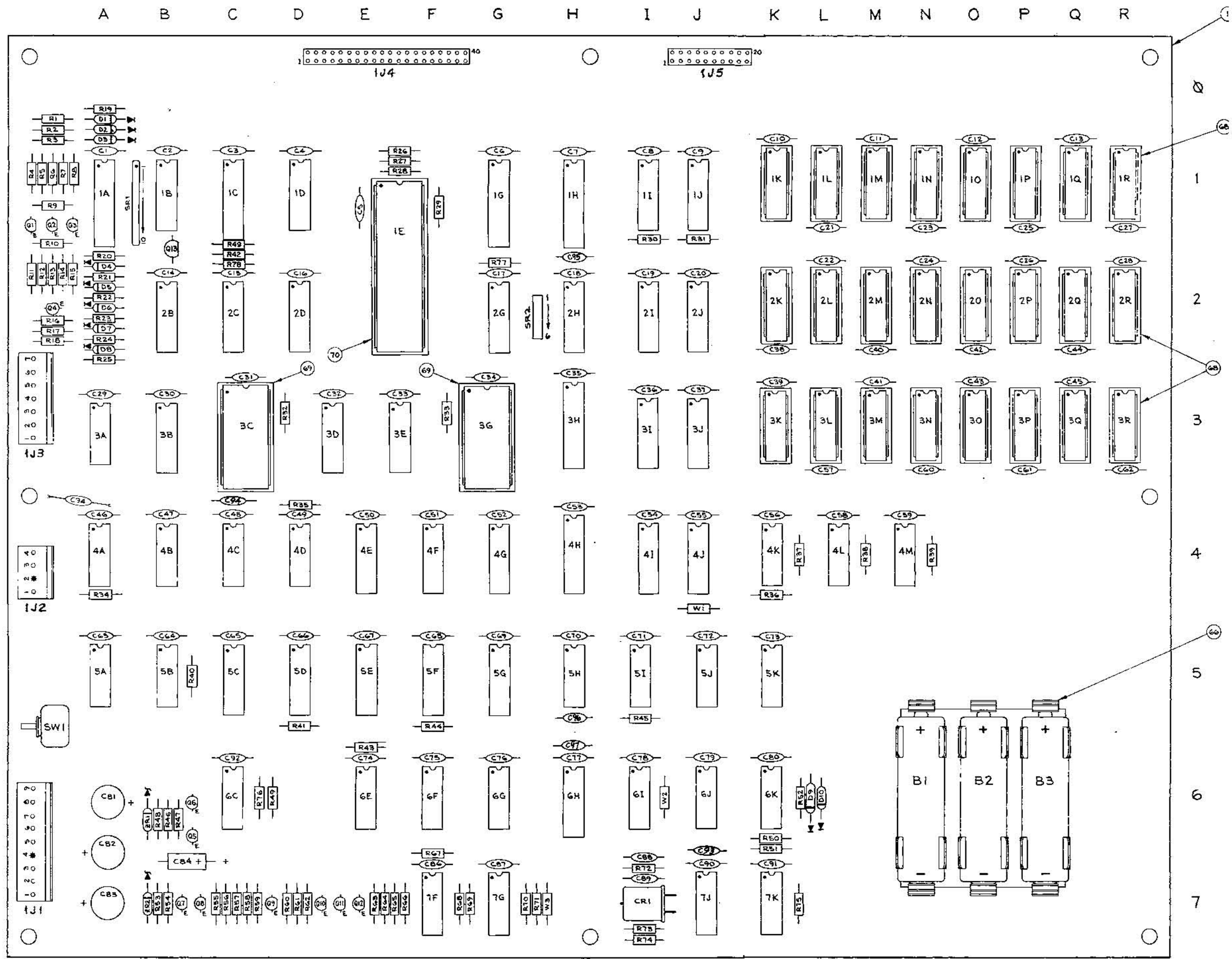


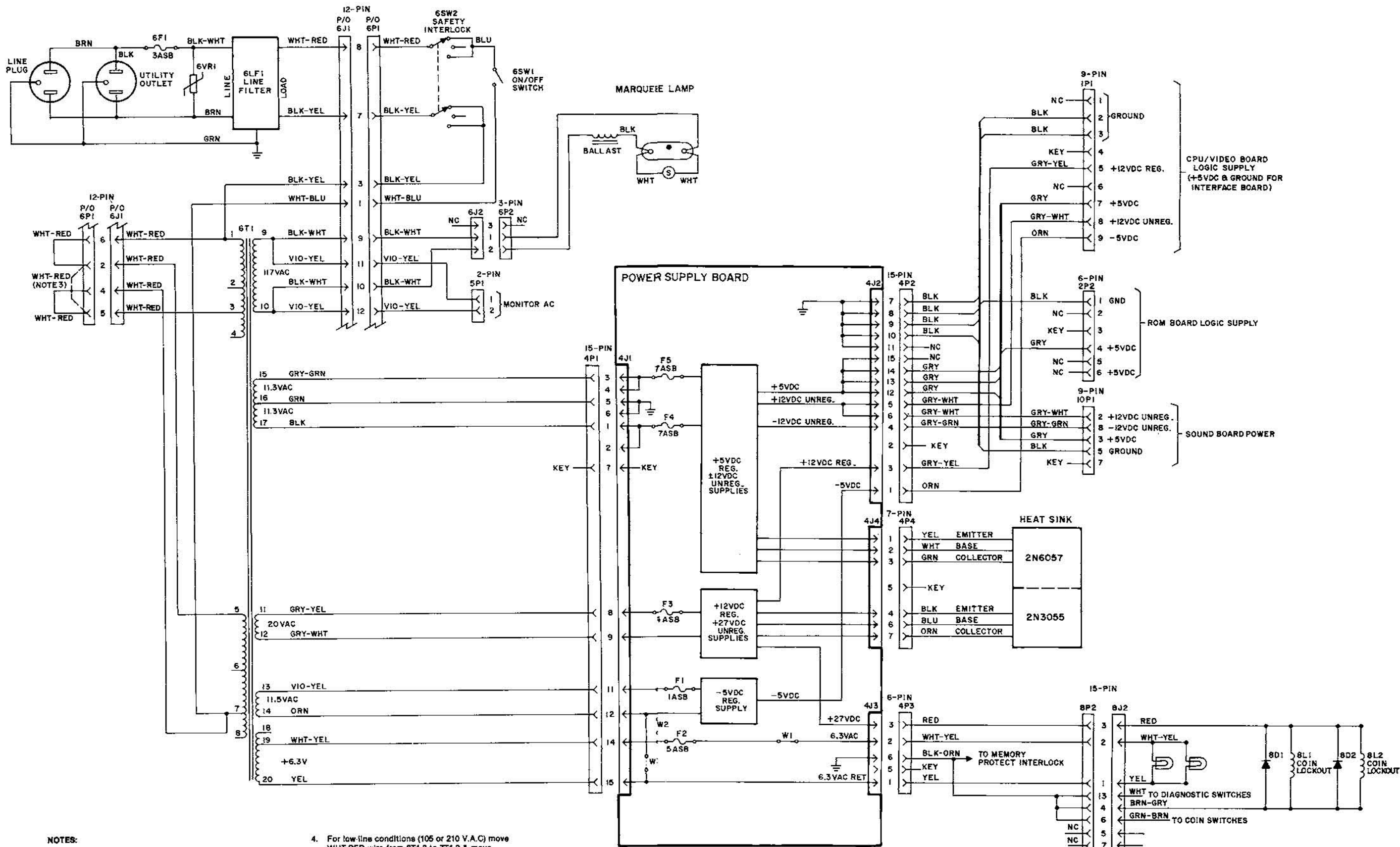
SPARE		
LOC.	LOGIC	QTY.
4B	7400	1
4K	7474	1
5I	74LS995	1
5J	7486	2
6D	4011	2
6H	74LS159	1



WE 3
WE 2L
WE 2R
WE 3U
WE 2U
WE 1U
MUX 1
P.A.B. PSEUDO ADDRESS BUS
A.B. ADDRESS BUS
V.A.B. VIDEO ADDRESS BUS
V.P.A.B. VIDEO FROM ADDRESS BUS







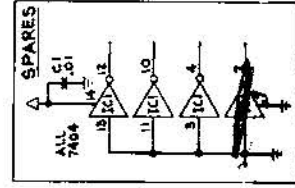
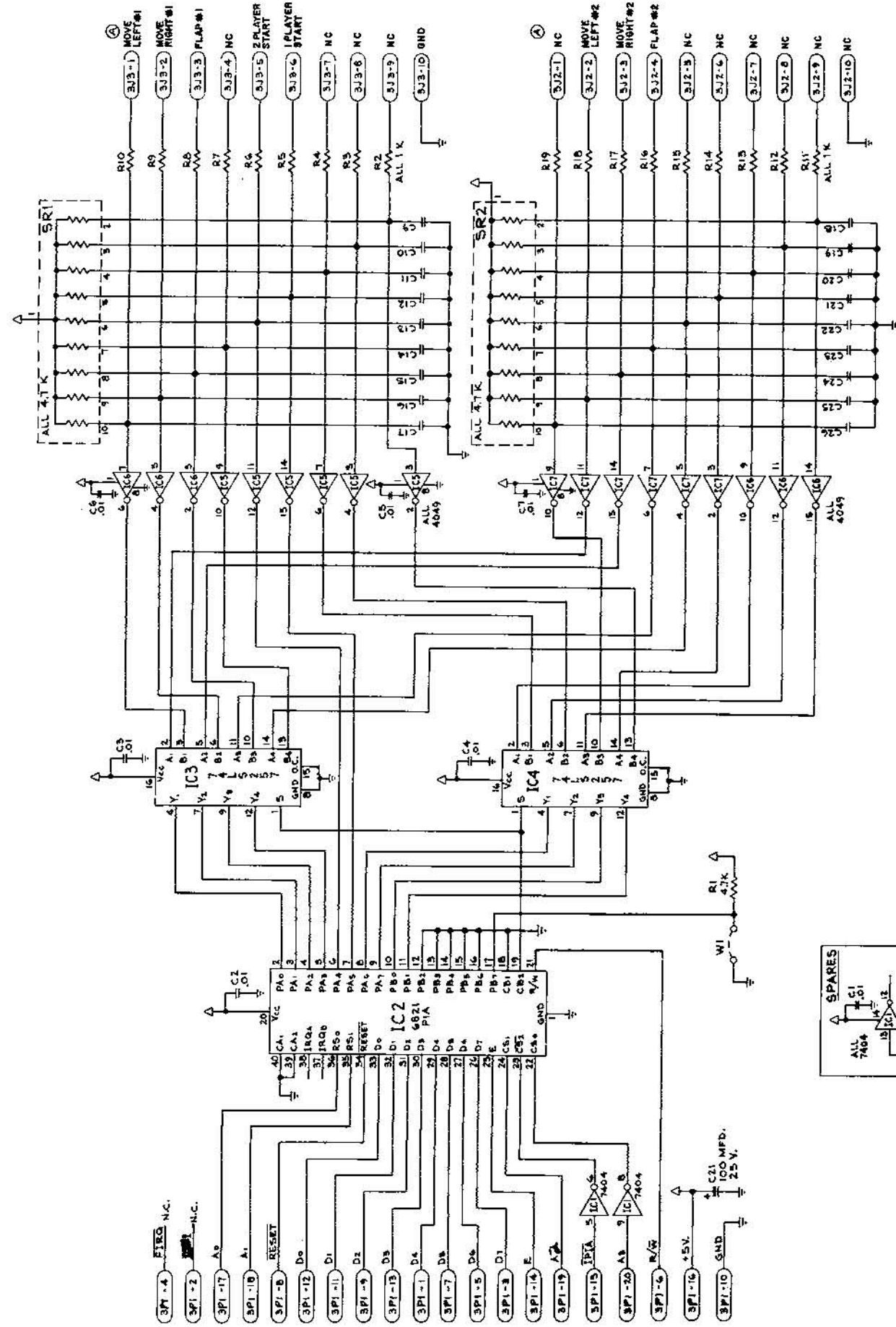
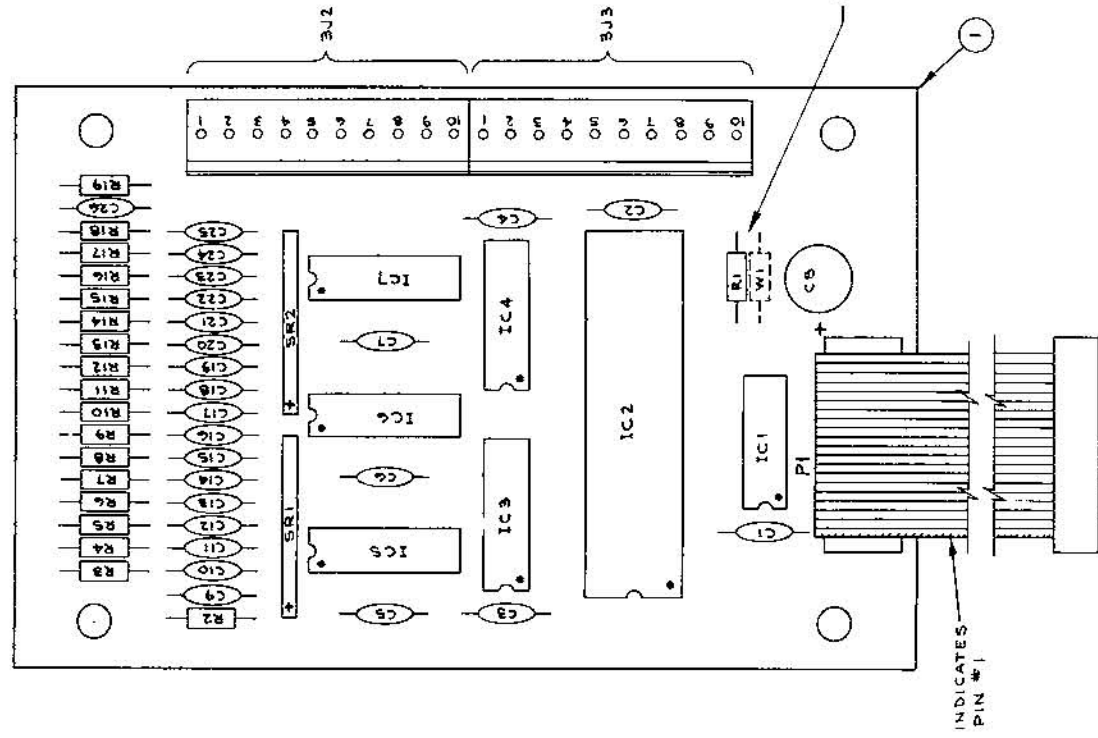
NOTES:

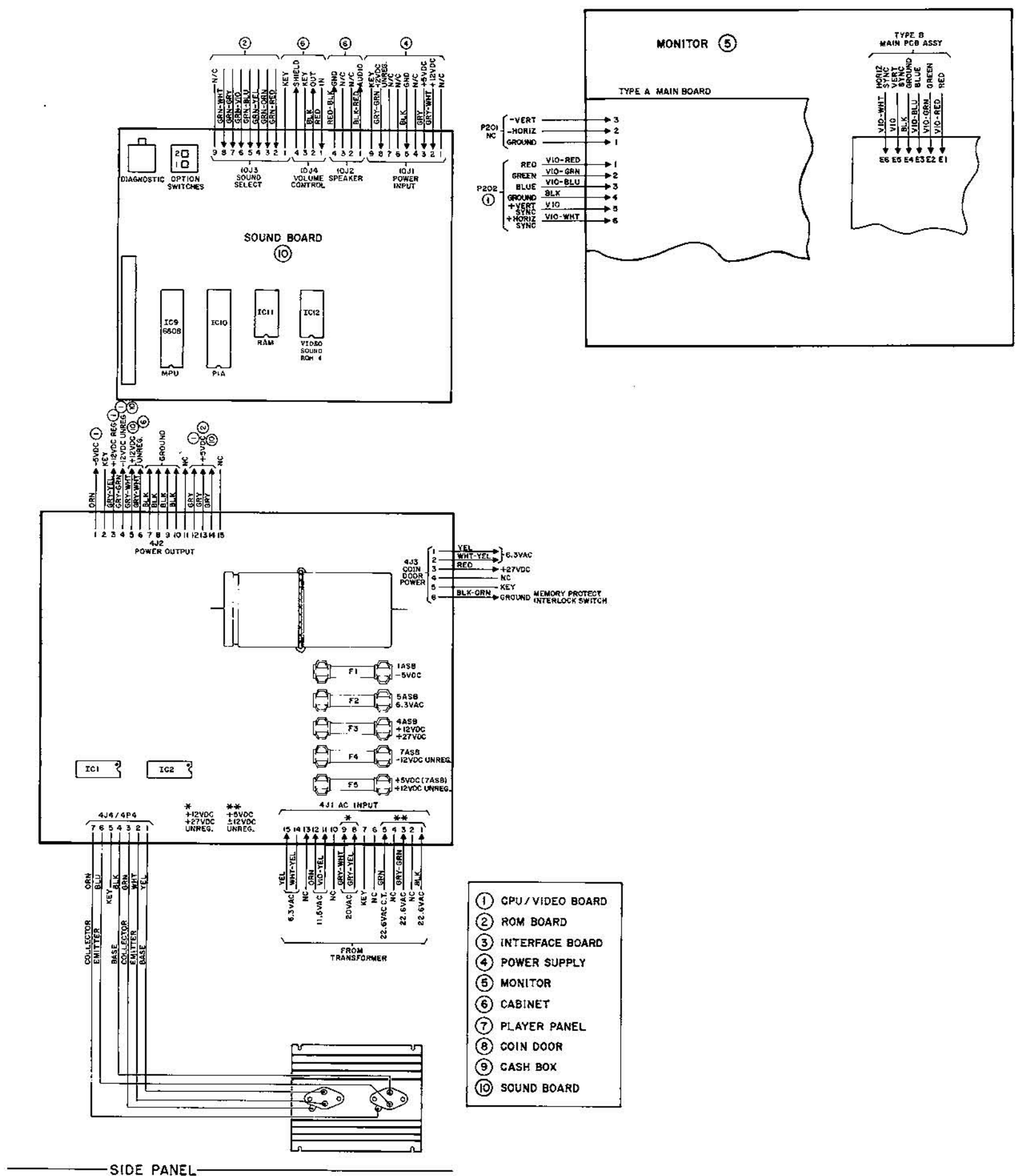
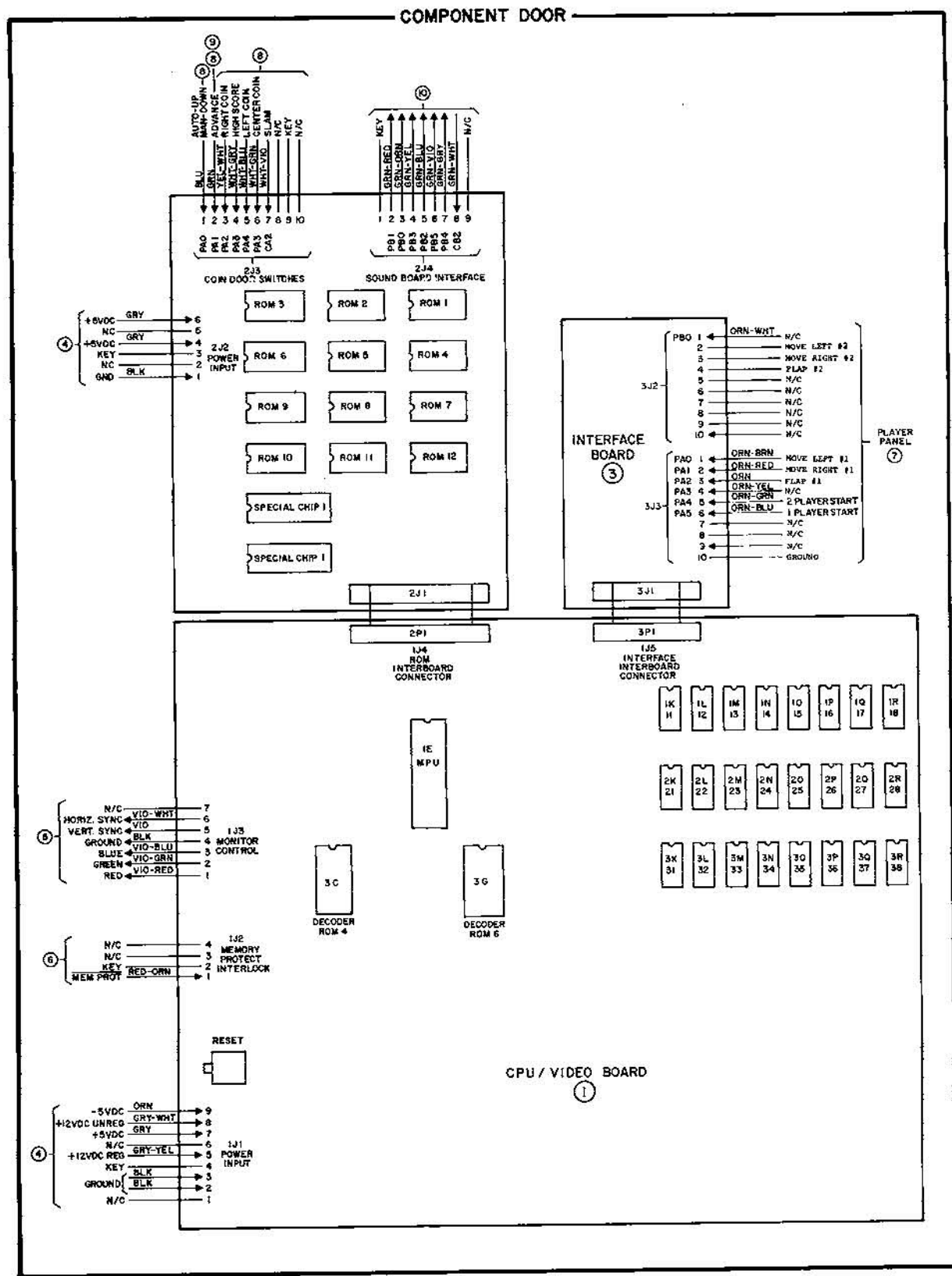
1. For 105 or 115 V.A.C., 3A fuse & 130 V variator 5017-09044 are used.

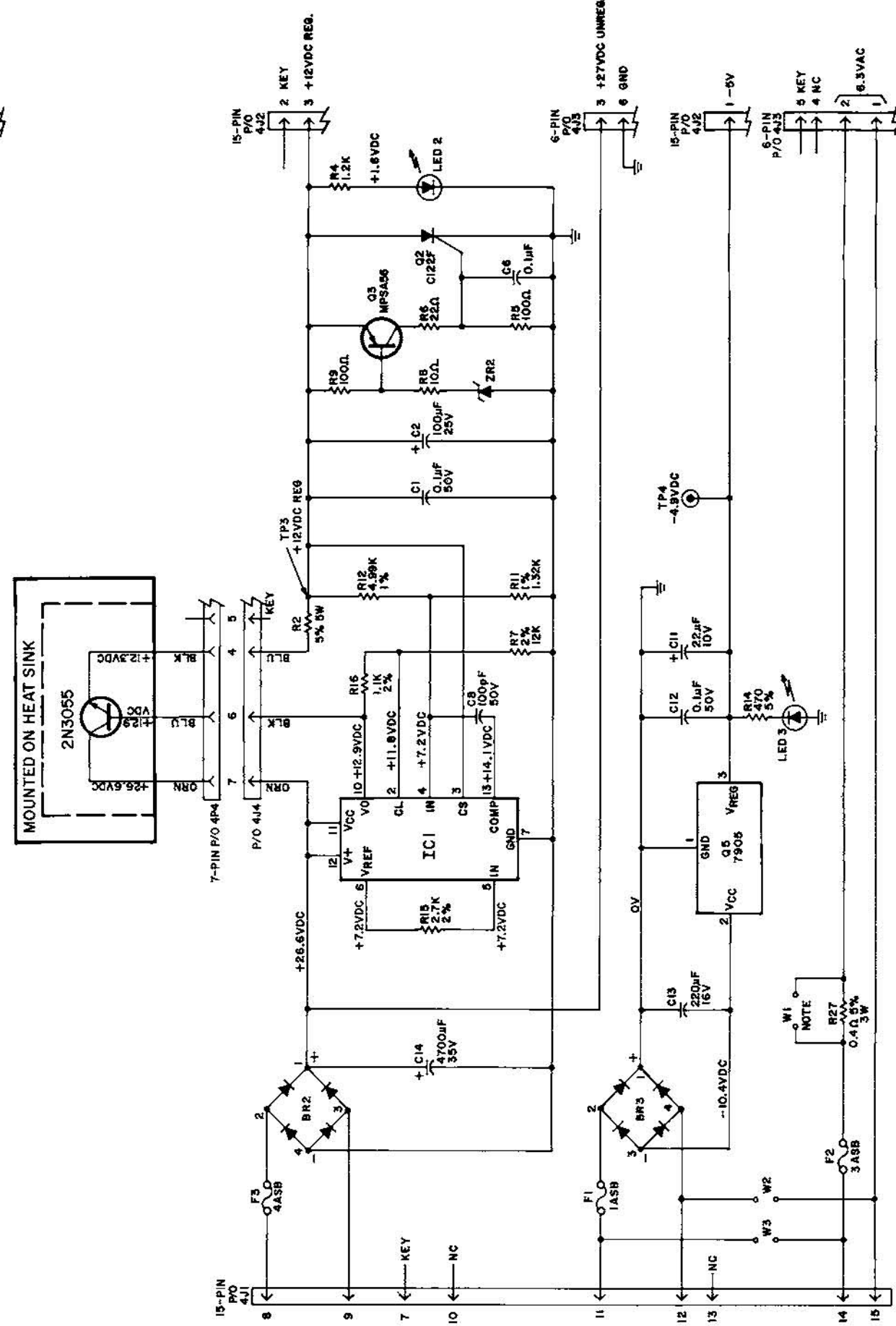
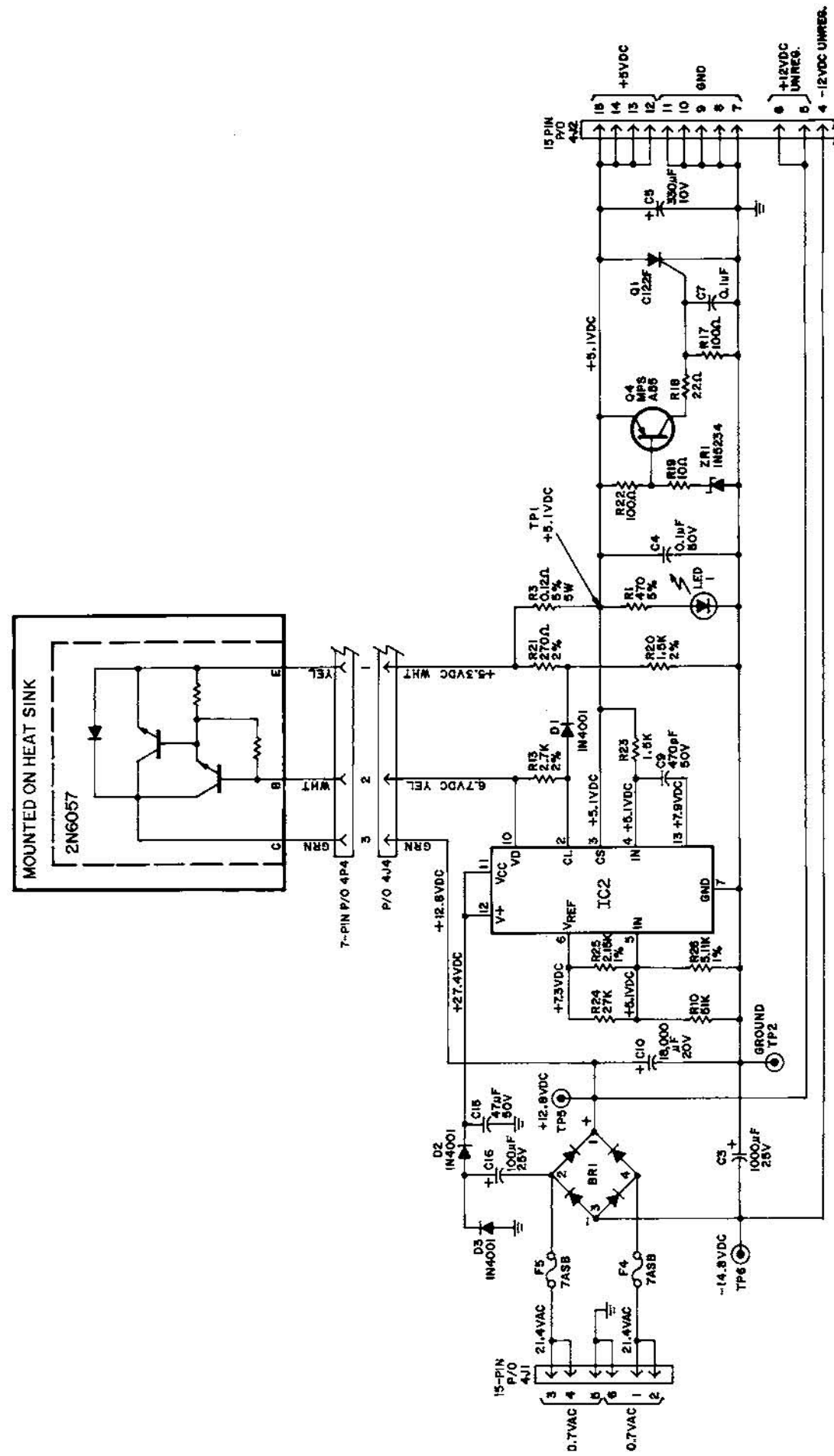
4. For low-line conditions (105 or 210 V.A.C) move WHT-RED wire from 8T1-3 to 7T1-2 & move WHT-RED & WHT-BLU wires from 7T1-7 to 7T1-6.

5. For high line conditions (135 or 240 VAC) move

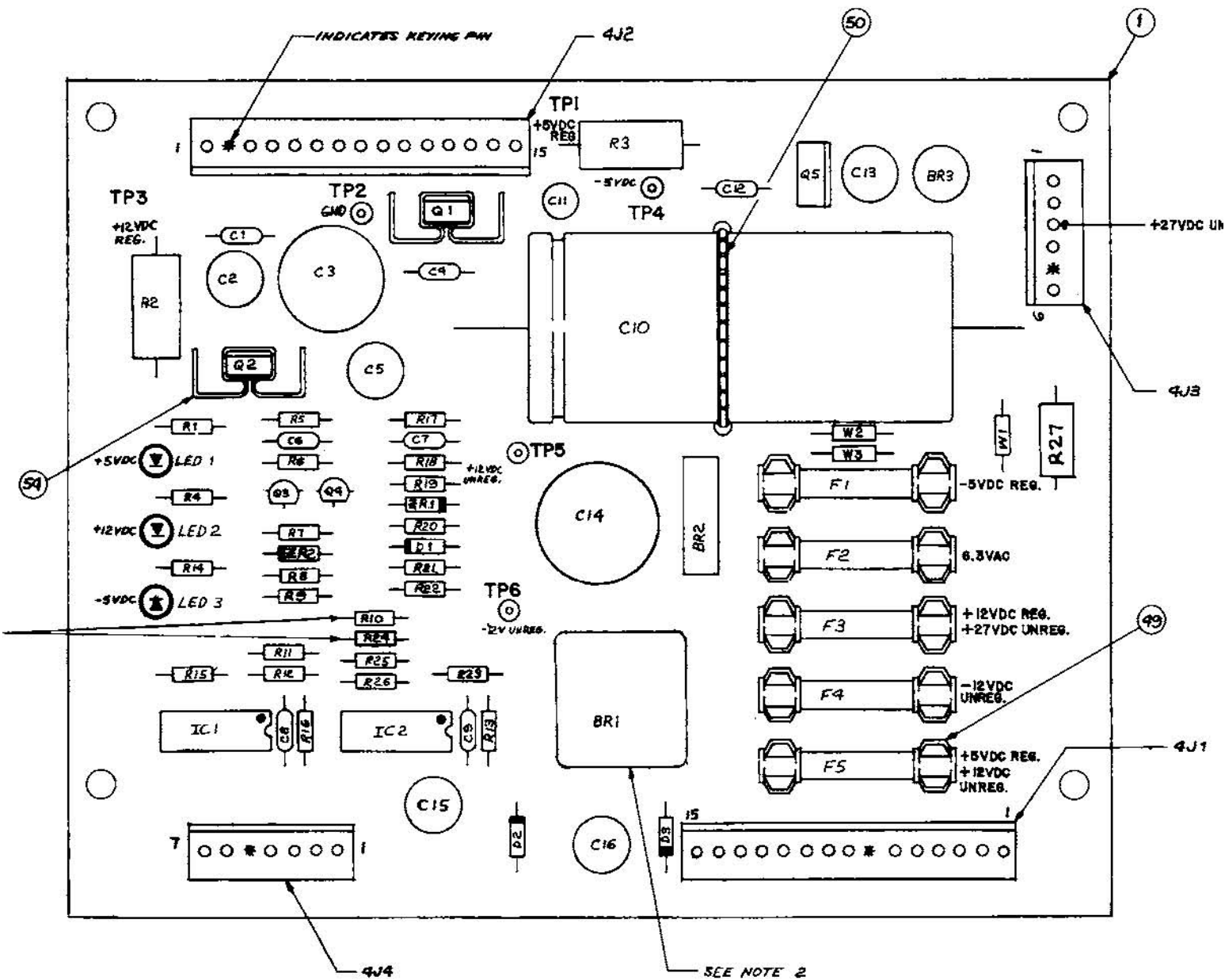
4	5280- 09013-00	IC1	7404 HEX INVERTER	1
5	5281- 09486-00	IC3, IC4	74LS257 QUAD DATA MULTIPLEXER	2
6	5019- 09362-00	SR1, SR2	4.7K OHM 9 RES., 10 PIN SIP	2
7	5010- 09358-00	R2 THRU R19	RESISTOR, C.F. 1K OHM 5% 1/4 WATT	18
8	5010- 08971-00	R1	RESISTOR, C.F. 4.7K OHM 5% 1/4 WATT	1
9	5010- 09394-00	W1	RESISTOR, C.F. 1/4 WATT	1
10	5043- 09065-00	C9 THRU C26	CAPACITOR, CERAMIC DISC 470 PFD, 50 V, X7R, 20%	18
11	5040- 09421-00	C8	CAPACITOR, ELECT. RADIAL 100 MFD, 25 VOLT, +50-10%	1
12	5043- 09380-00	C1 THRU C7	CAPACITOR, CERAMIC DISC, .01 MFD, 50 V, +80-20%	7
13	5791- 09540-00	P1	20 PIN RIBBON CABLE ASSY	1
14	5791- 09444-00	BJ2, BJ3	10 PIN HEADER 09-65-1101	2

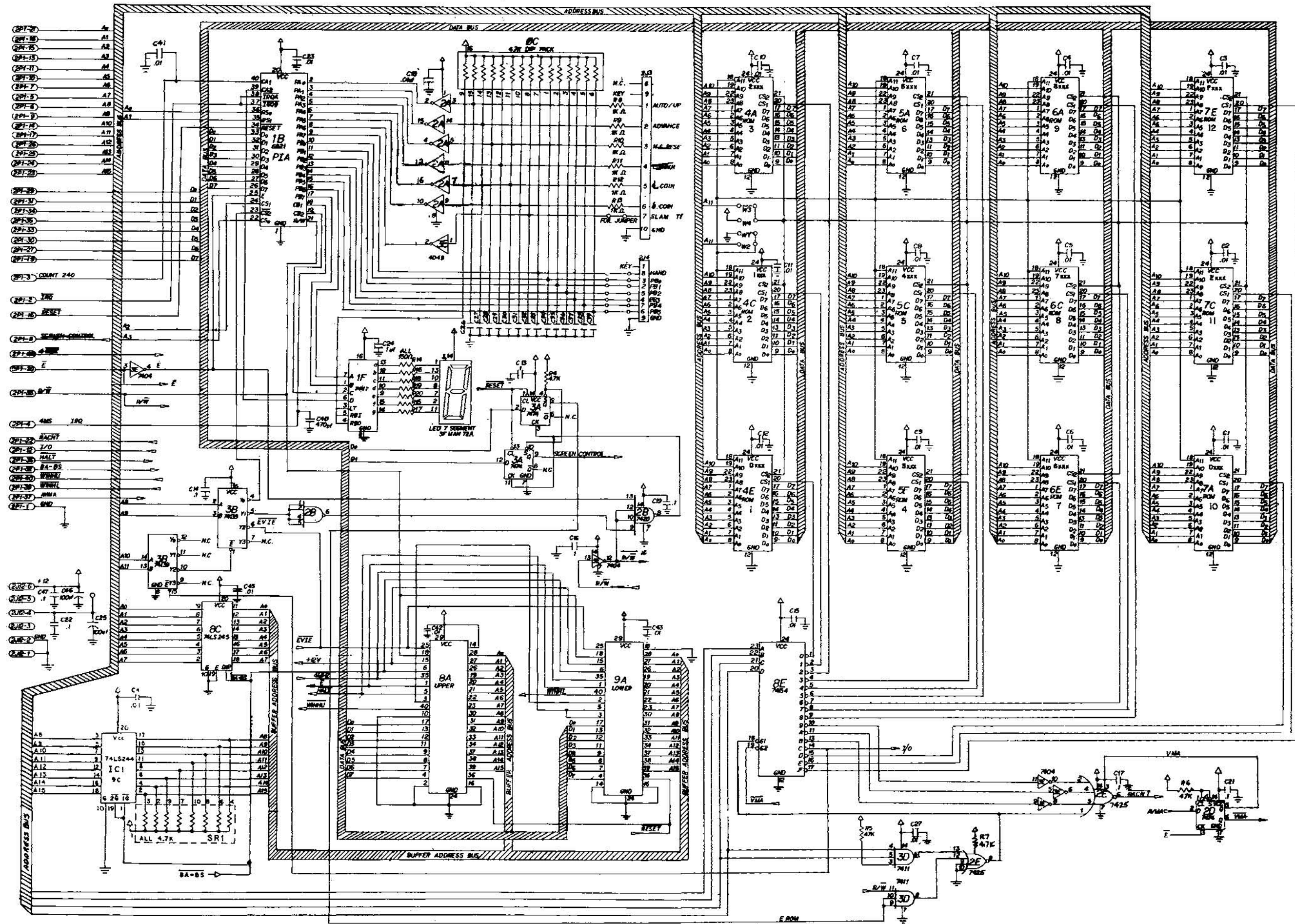




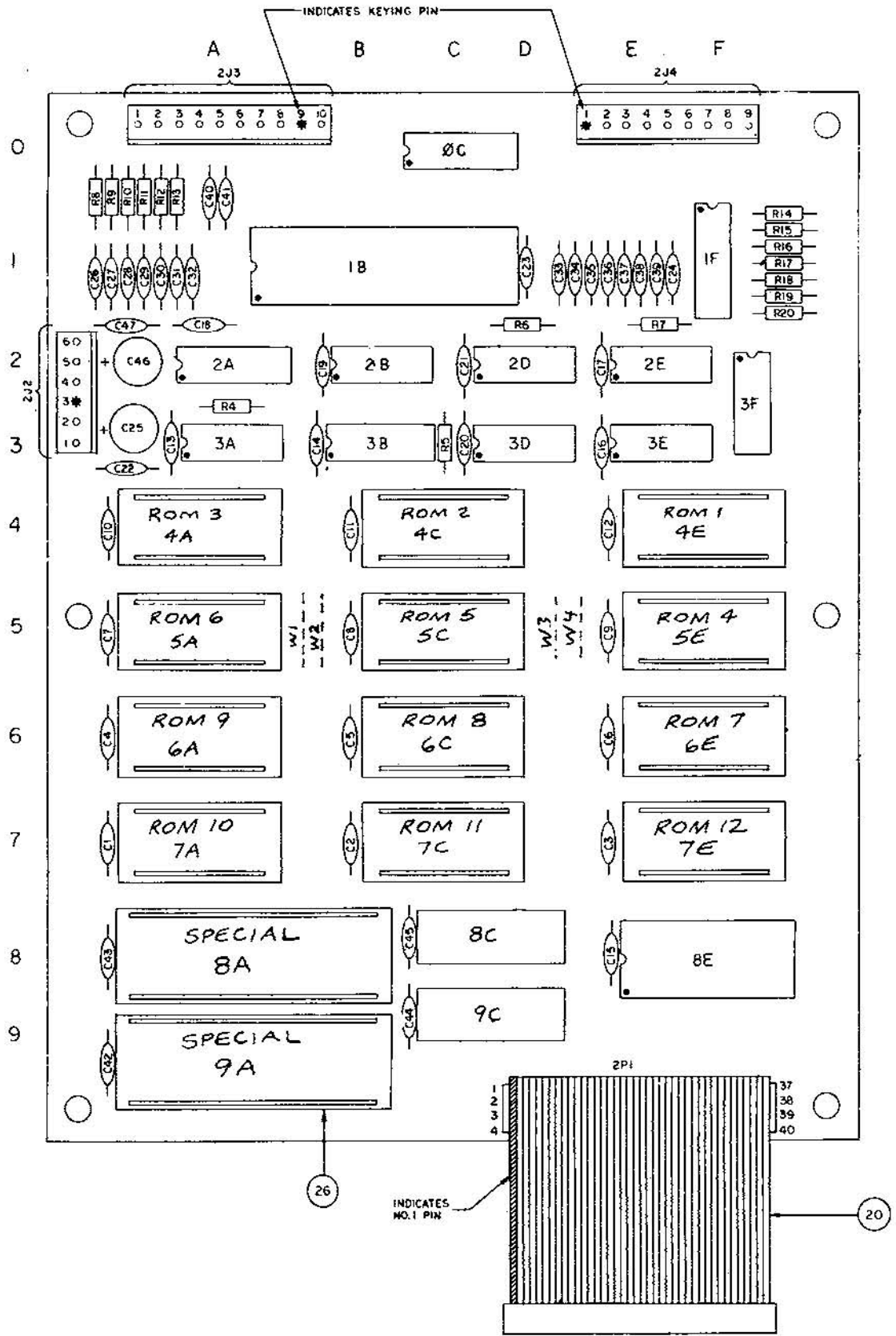


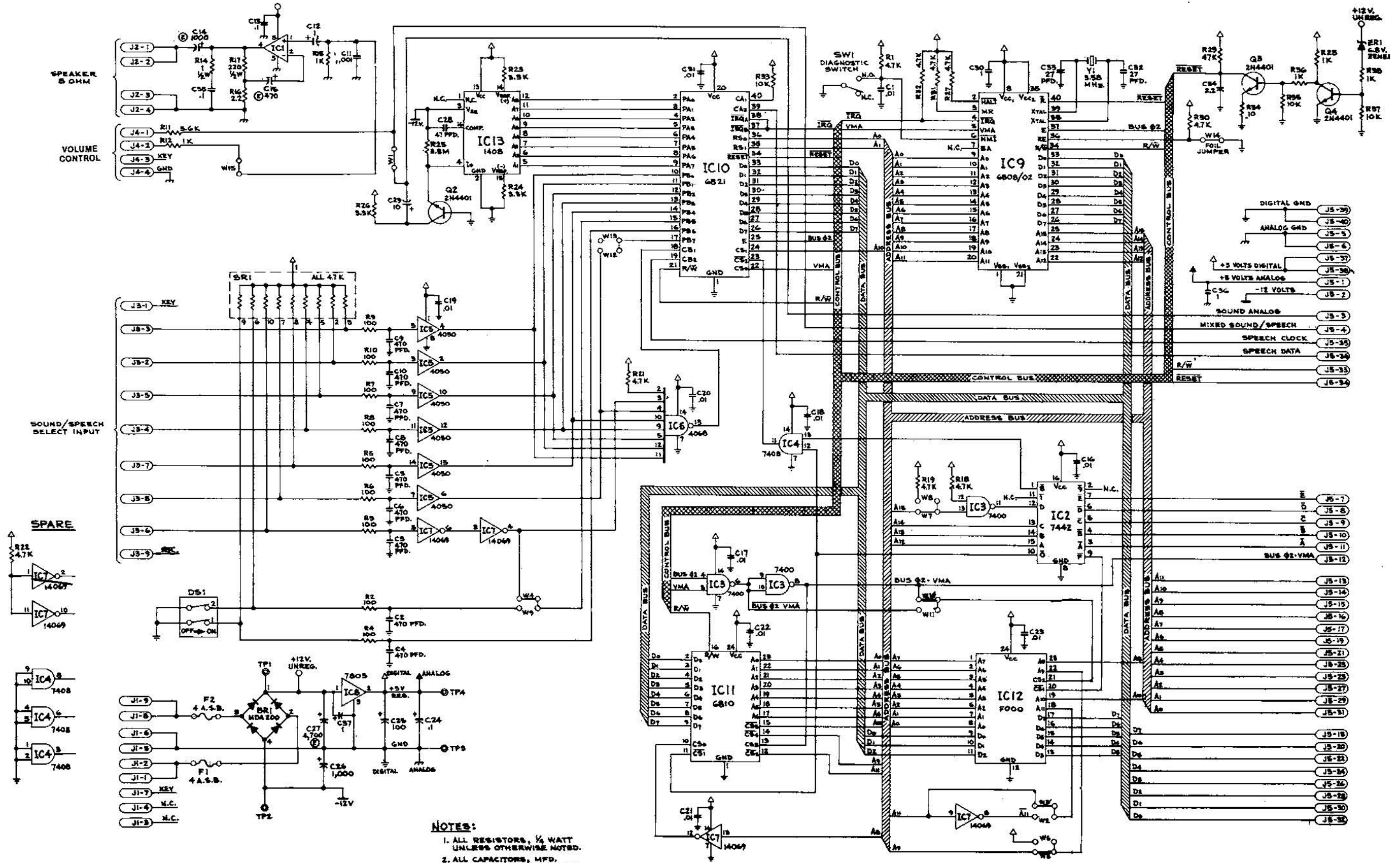
D-8784 Power Supply Board Sch





D-9144 ROM Board





NOTES:
 1. ALL RESISTORS, 1/4 WATT UNLESS OTHERWISE NOTED.
 2. ALL CAPACITORS, MFD. UNLESS OTHERWISE NOTED.

